



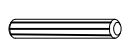
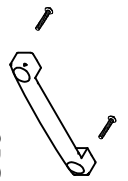







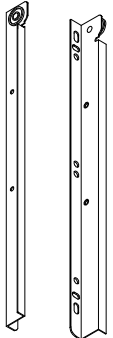

HARDWARE

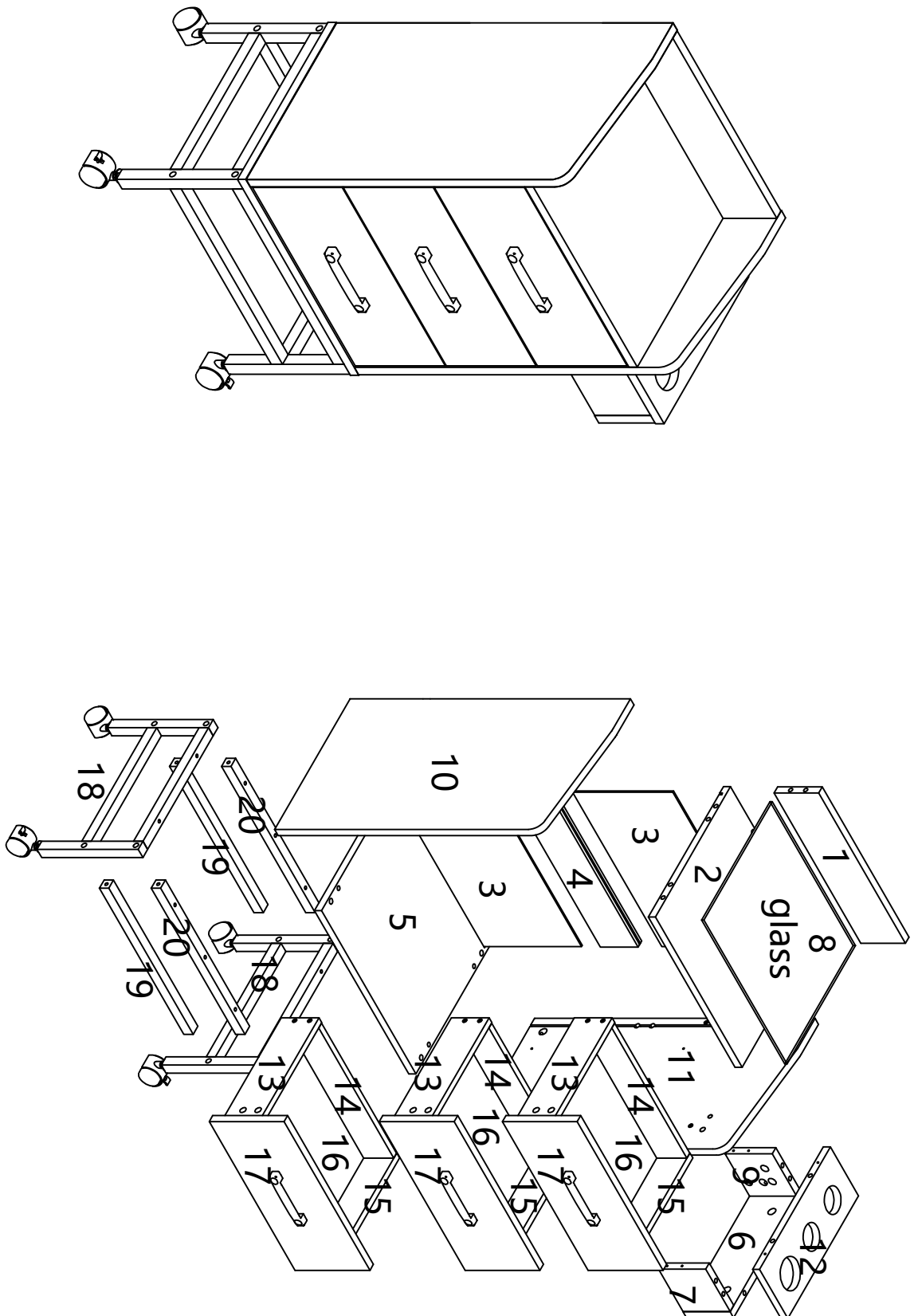
A  A1  A2 28PCS	B  B1  B2 10PCS
---	---

C  14PCS	D  3PCS
--	---

E  6*30 10PCS	F  3.5*35 18PCS
--	--

G  3.5*14 24PCS	I  4PCS
--	---

H  H1  H2 3SET	K  6*40 8PCS
--	---

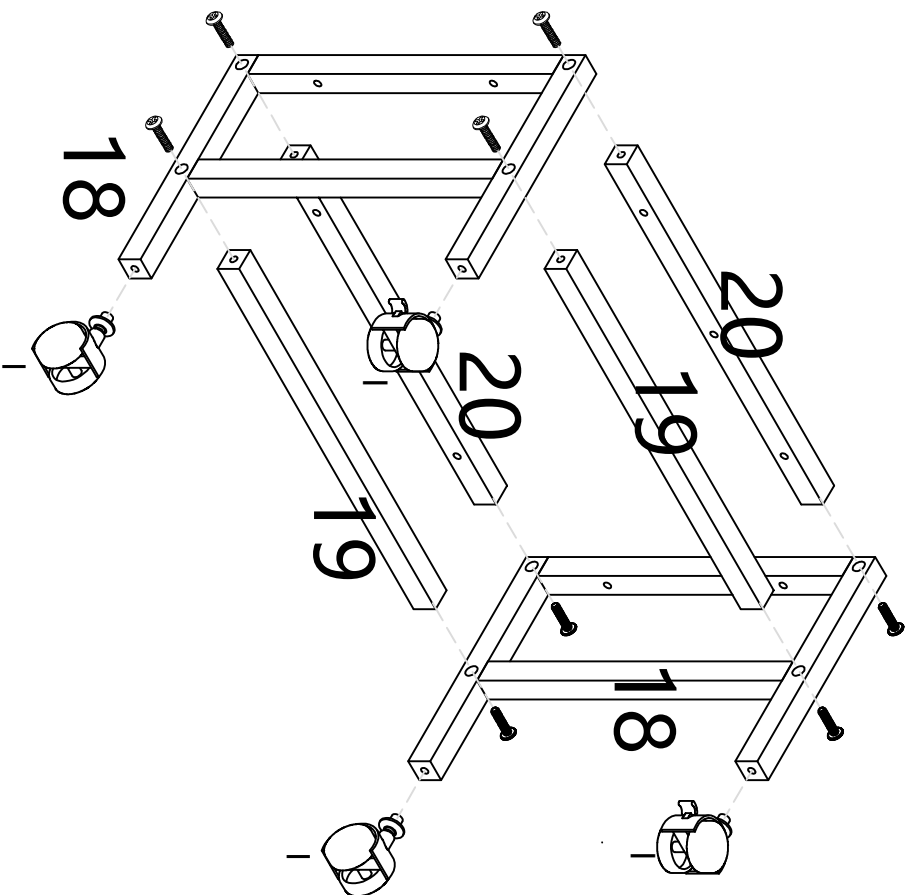




8PCS



4PCS



STEP1



A1

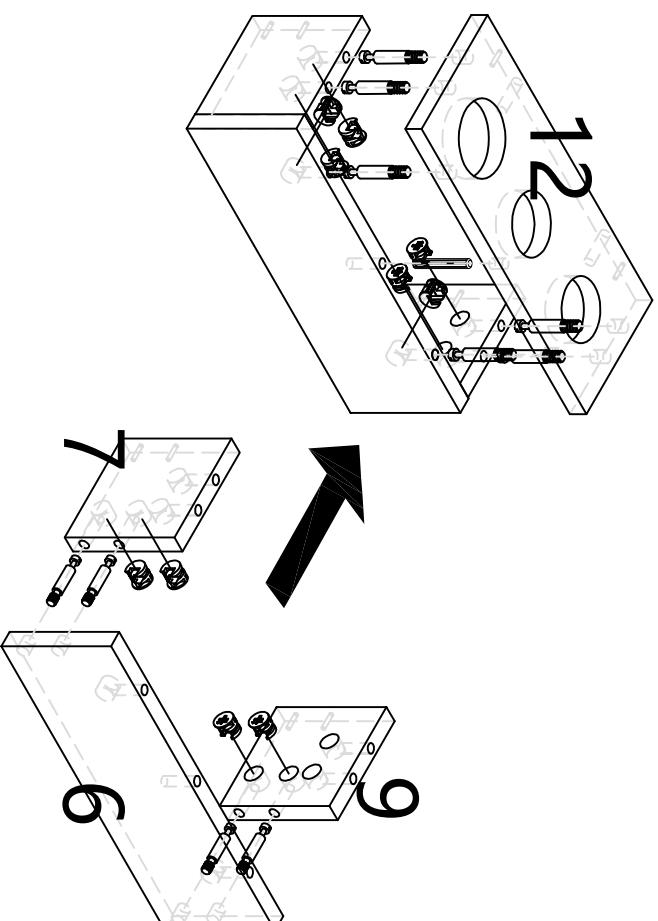


A2
10PCS

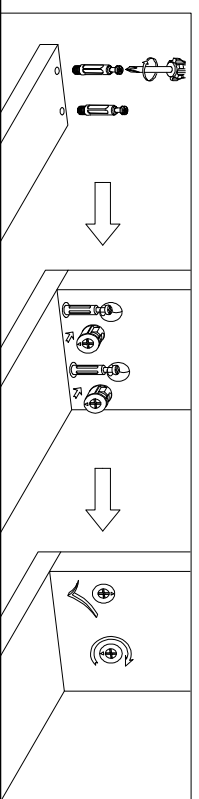





15MM
C

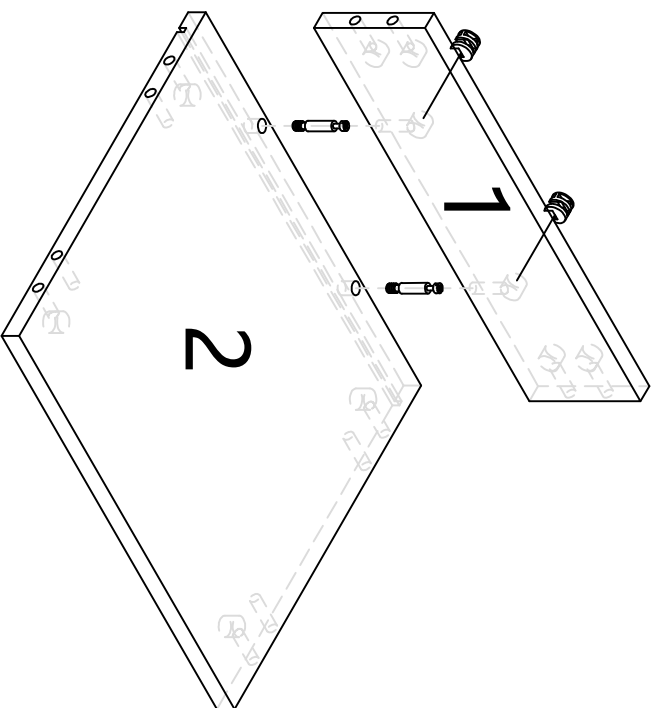
1PCS



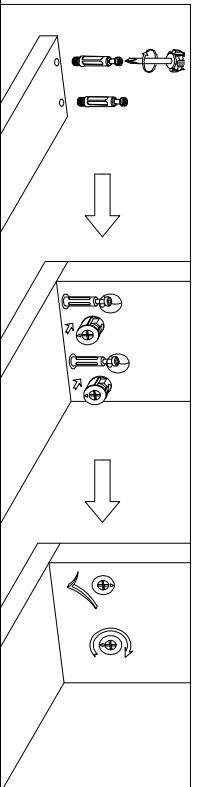
STEP2

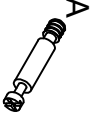





- A 
- A1 
- A2 
- 2PCS

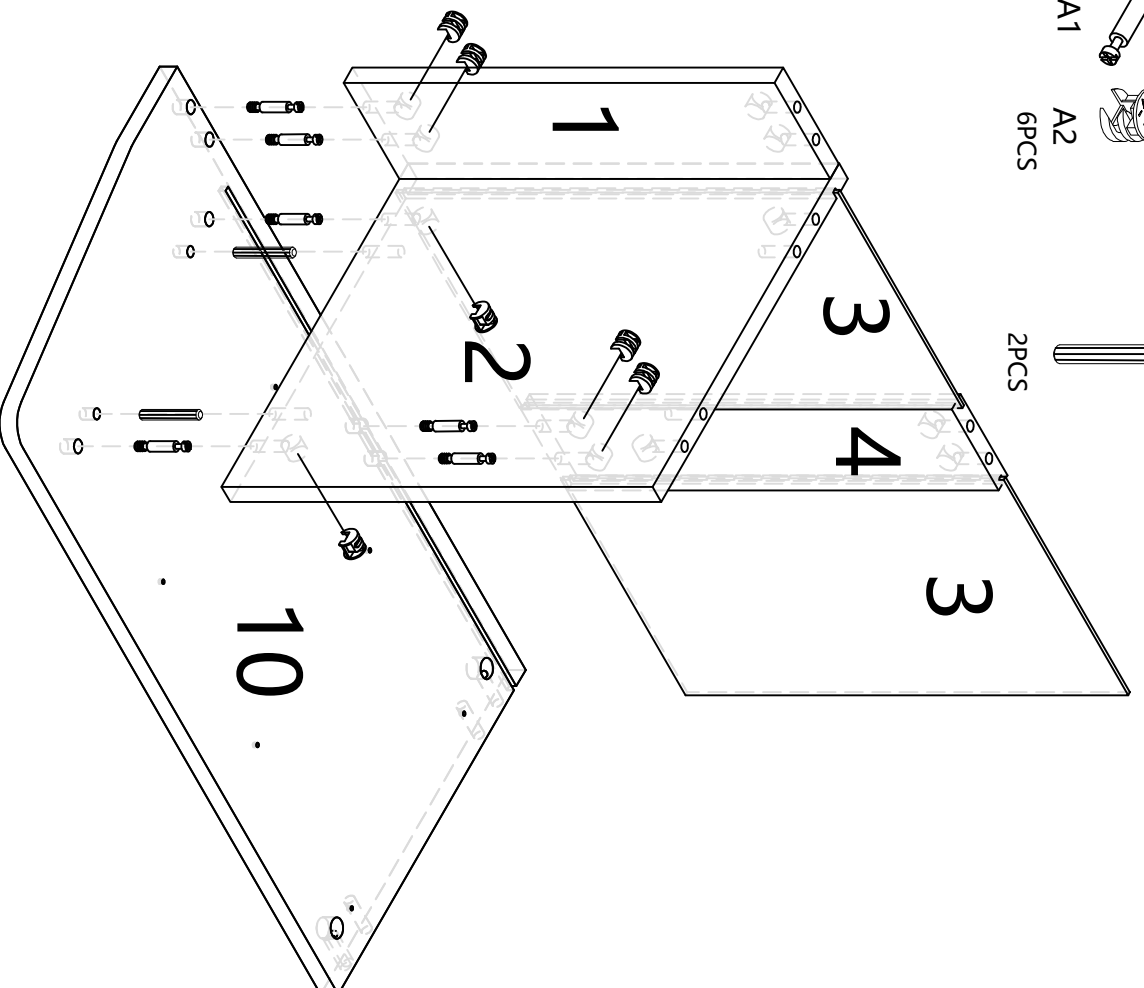


STEP3

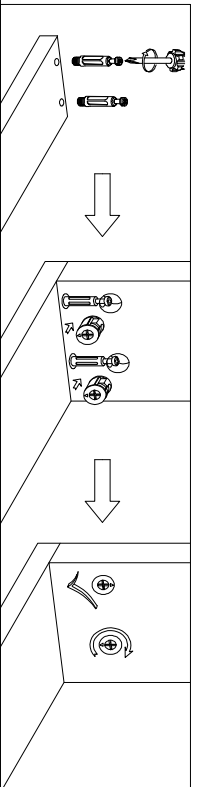


- A 
- A1 
- A2 
- 6PCS

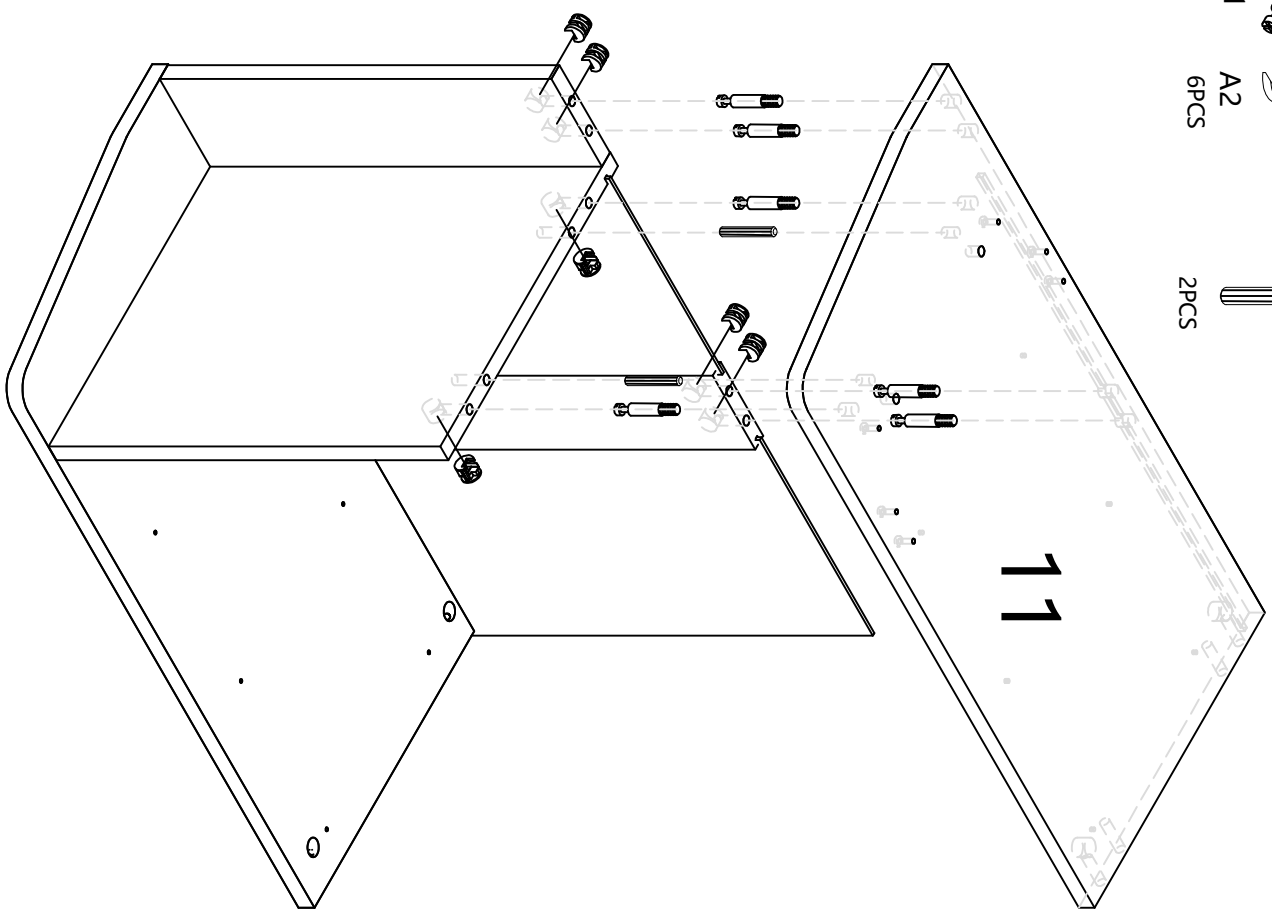
- C 
- 2PCS



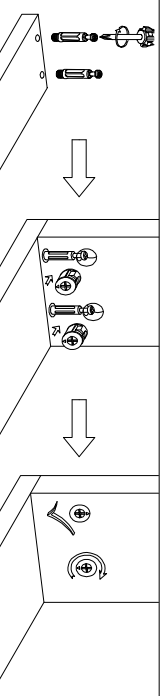
STEP4




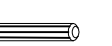


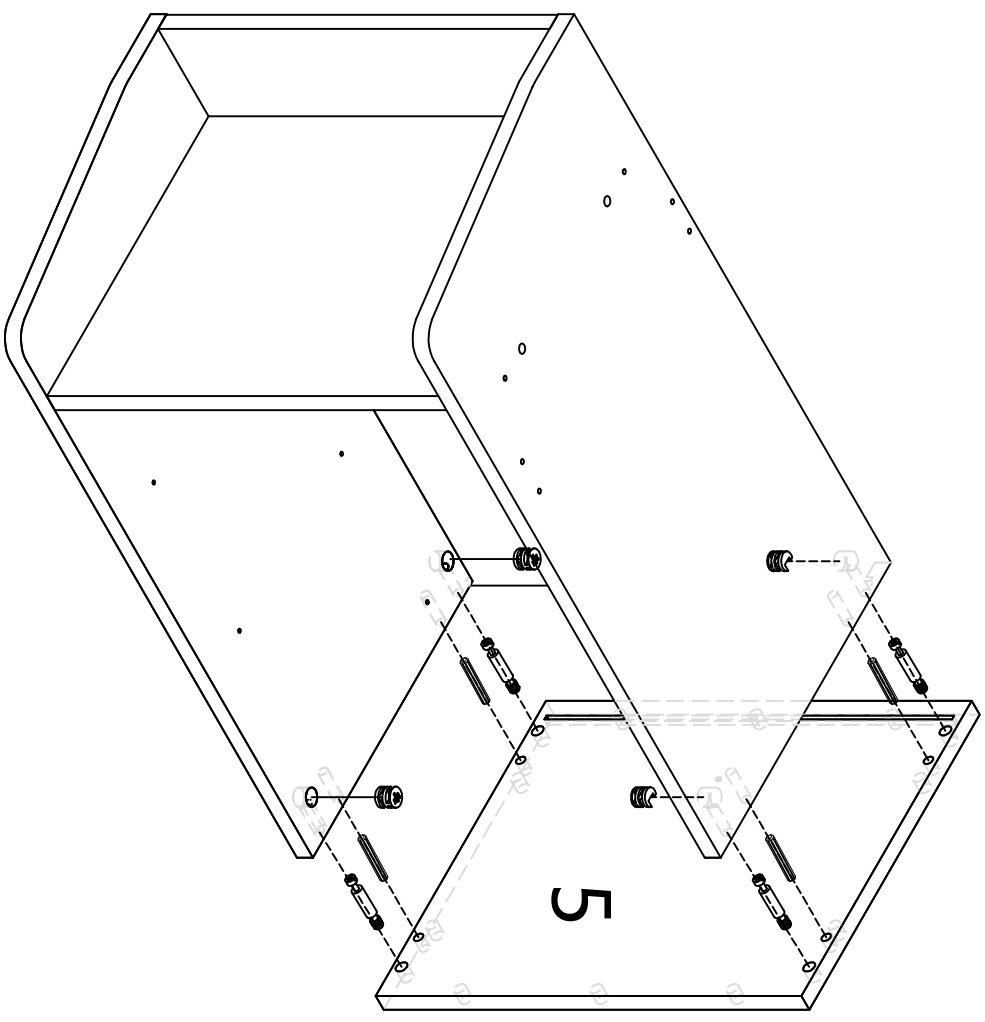
- A 
- A1 
- A2  6PCS
- C  2PCS



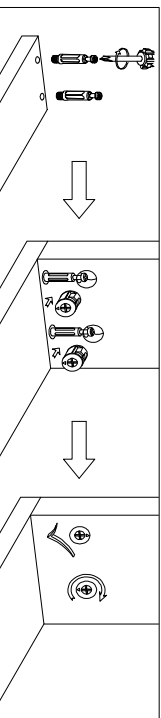
STEPS



- A 
- A1 
- A2  4PCS
- C  4PCS



STEP6



C



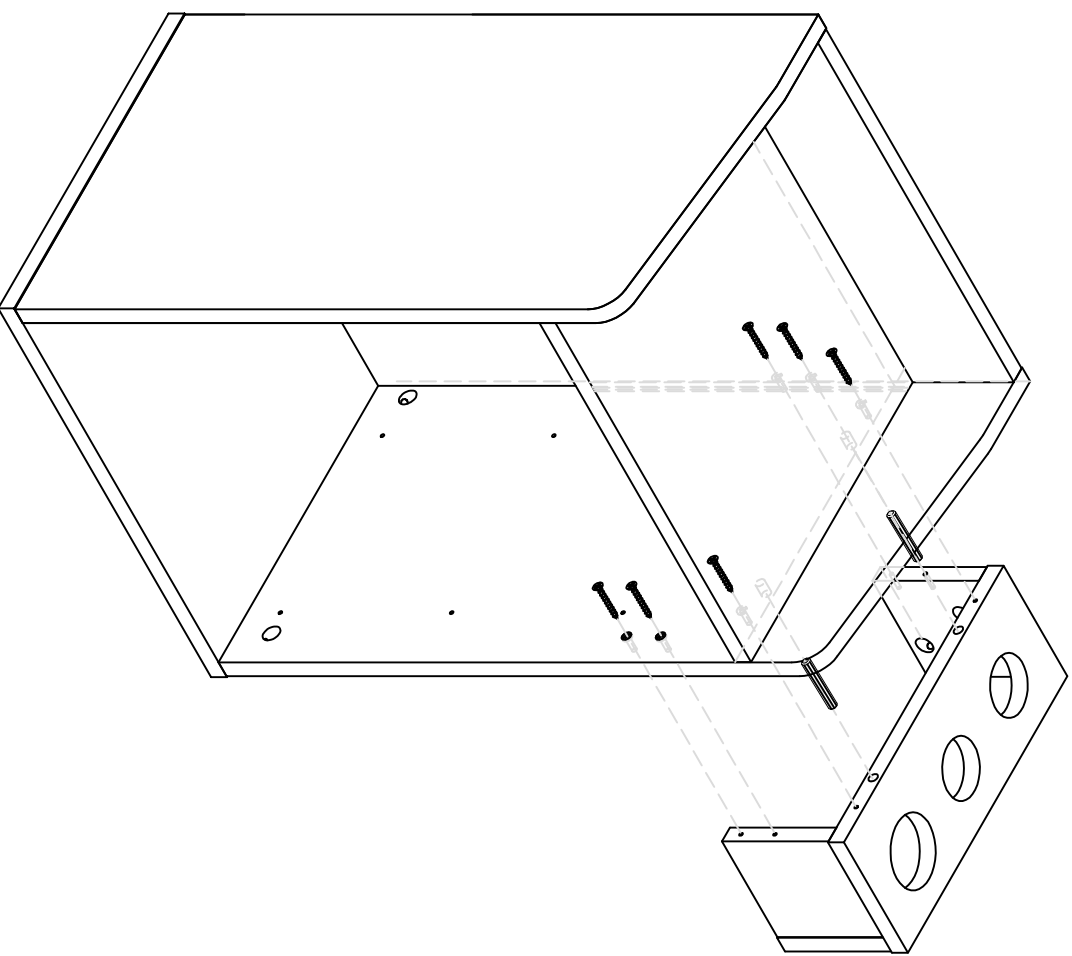
2PCS

F



3.5*35

6PCS



STEP7

H



H1

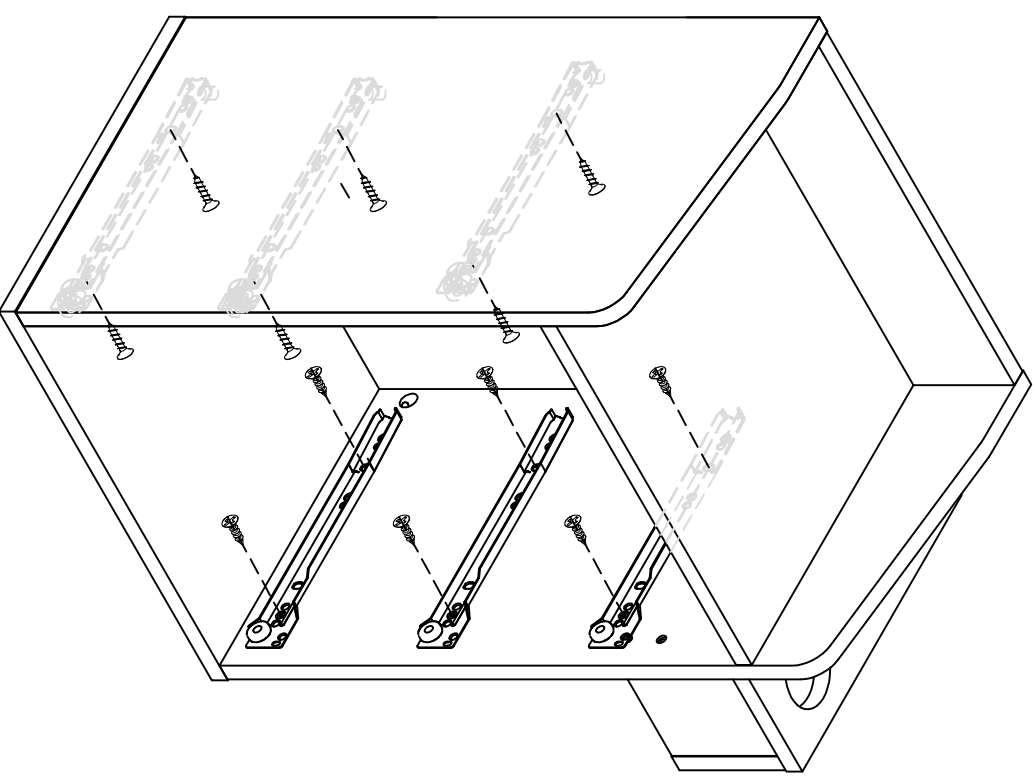
3SET

G



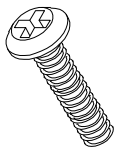
3.5*14

12PCS

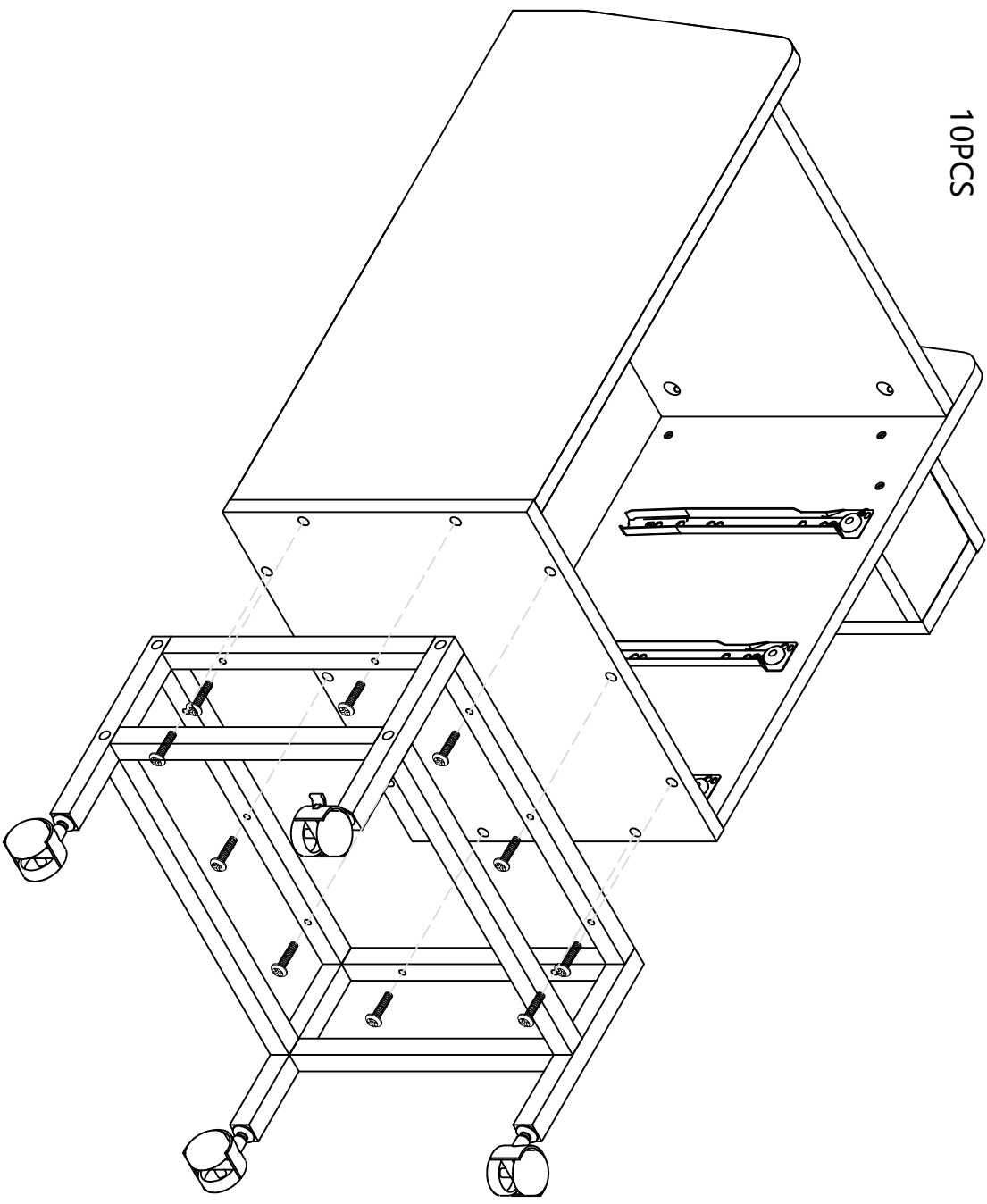


STEP8

E



10PCS



STEP9

B



B1 B2

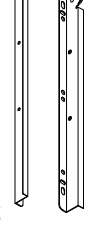
12PCS

D



3PCS

H



H2 3SET

G

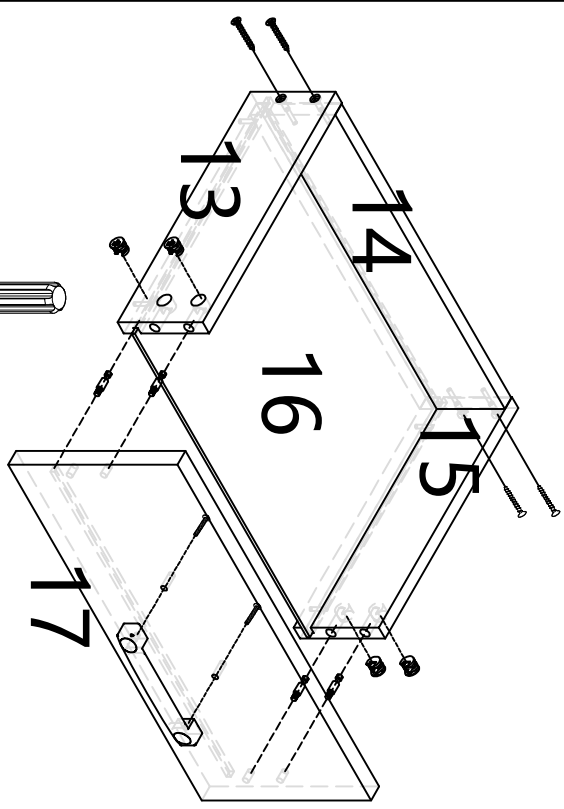


3.5*14 12PCS

F

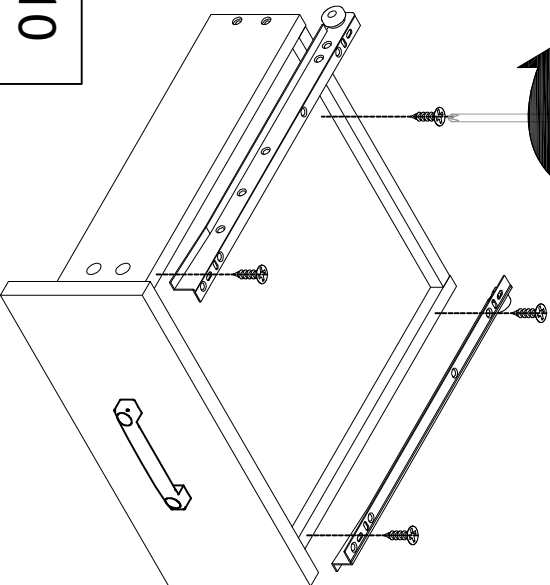


3.5*9.5 12PCS

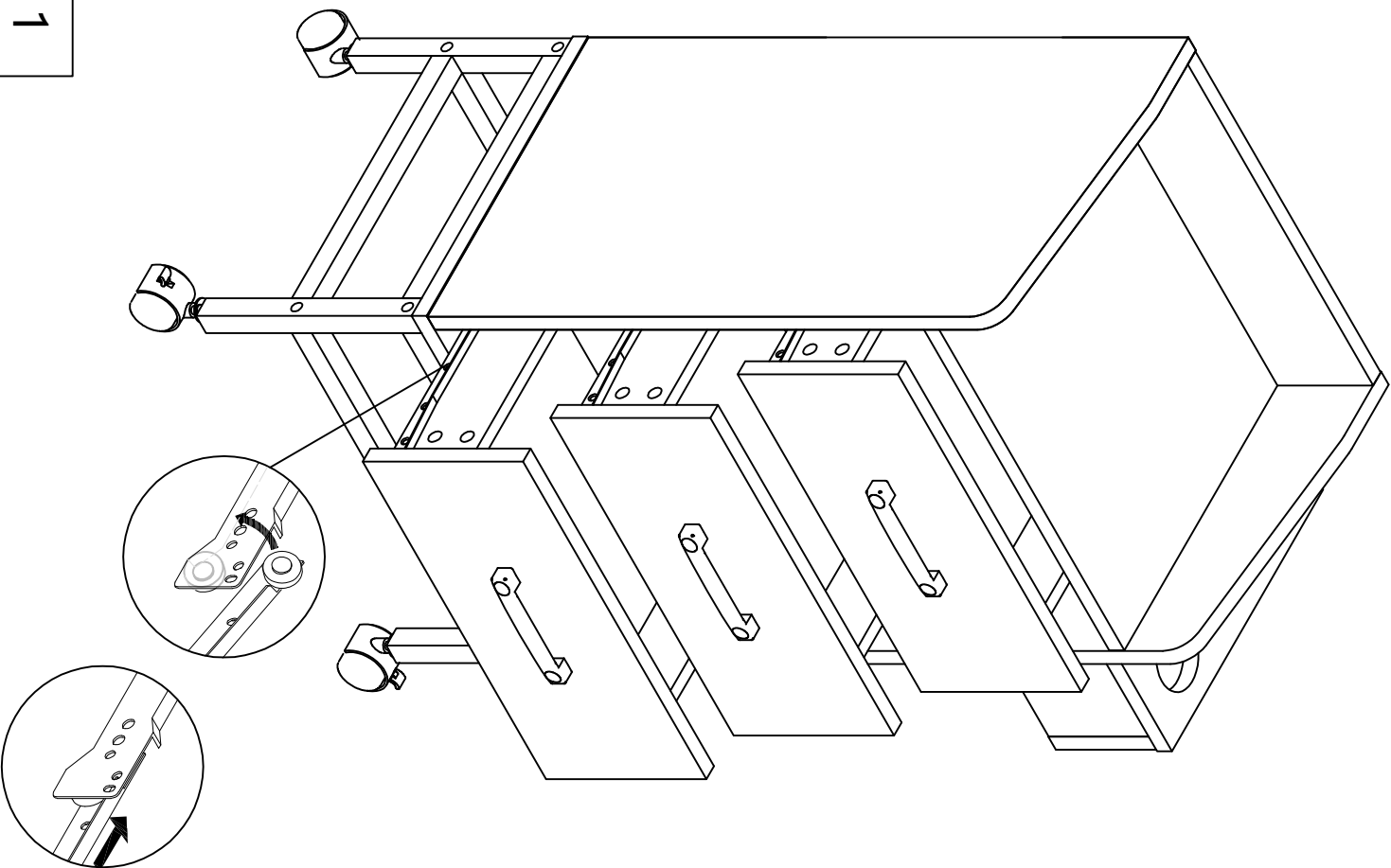


Drawer total 3 SETS

STEP10



STEP11



STEP12

