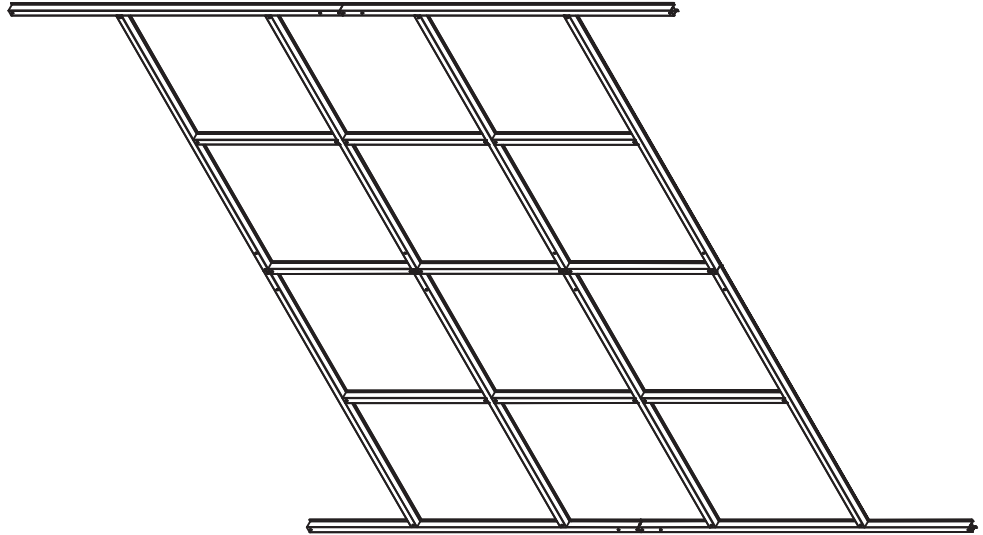


ASSEMBLY INSTRUCTION

Floor Frame Kit

ITEM#: FFK-97001



CAUTION



Sharp Edges

Wear work gloves, eye protection and long sleeves when assembling or performing any maintenance on your kit.

Requires two people and take 2-3 hours for installation.

Quick & Easy Assembly

WARNING: READ INSTRUCTION MANUAL BEFORE ATTEMPTING TO ASSEMBLE OR OPERATE THIS PRODUCT.

About installation

About usage

About product

About return

Others

After-sale mail: customercare@lava-star.com

Any problems, please contact us. We will help you within 24 hours.

CONTENTS

1.Contents.....	2
2.Precautions for installation.....	3-4
3.Product explosion diagram	5-6
4.Part list and Hardware	7
5. Installation steps.....	8-16

BEFORE YOU START

Owner's Manual

Prior to installation, it is important that you contact your local government authority to determine if building approval is required. Study and understand this owner's manual.

Important information and helpful tips will make your construction easier and more enjoyable.

Assembly instructions

Instructions are supplied in this manual and contain all appropriate information for your building model.

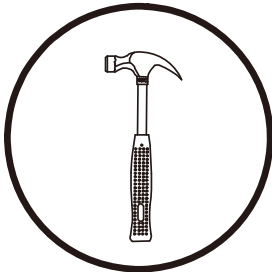
Review all instructions before you begin. During assembly, follow the step sequence carefully for correct results. Be sure all the parts fit together properly before proceeding.

Parts

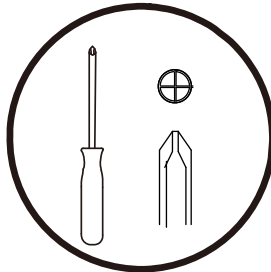
Check to be sure that you have all the necessary parts for the building.

Familiarize yourself with the hardware and fasteners for easier use during construction. These are packaged within the carton.

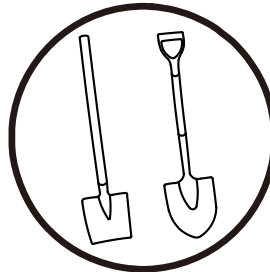
TOOLS MY REQUIRED



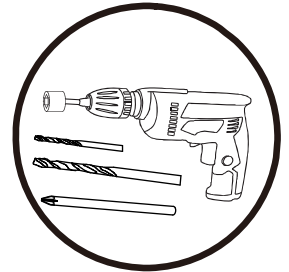
Hammer



Screwdriver



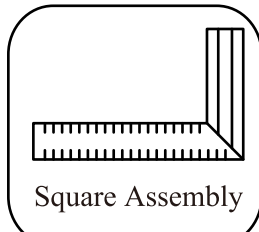
Spade or Shovel



Electric screw driver

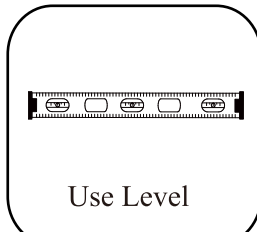


This identifies information that requires special attention. Improper assembly could lead to an unsafe or dangerous condition.



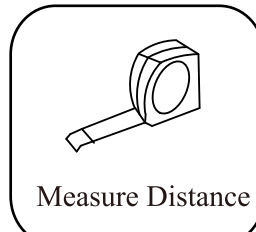
Square Assembly

Check that assembly is square before tightening bolts.

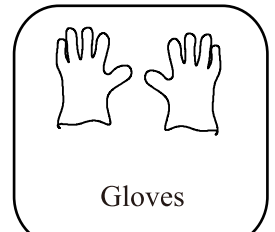


Use Level

Check that set or assembly is properly level before proceeding.



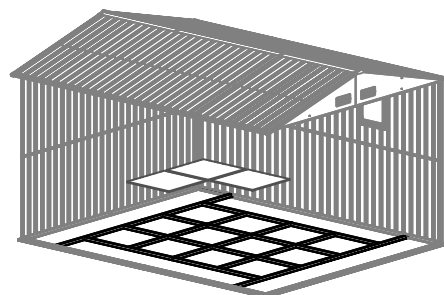
Measure Distance



Gloves

IMPORTANT

DO NOT STEP ON CHANNELS UNTIL FLOORING MATERIAL IS IN PLACE!
GROUND MUST BE LEVEL: Be sure Floor Frames lie flat on ground. To prepare earth bed, remove sod and other debris. Level the high spots with flat shovel and tamp the bed down.



PLAN AHEAD

Site Preparation

The site must be prepared so that the base of the shed is level all round and checking with a spirit level is required.

The base can be constructed by treated timber or concrete, in order to stop the moisture getting into the shed.

The shed is not designed to be built onto lawn directly. Also the ground will get muddy during rainy days.

If a concrete pad is made, it is important that this slopes towards the edges to prevent water ingress.

Time must be allowed for any concrete or cement to dry before building the shed on top.

Bases can also be constructed from bricks, blocks, or mounted on a concrete pad.

The bricks or blocks should be cemented onto firm and level concrete footings and the greenhouse frame drilled and screwed to the base.

IMPORTANT NOTES:

SAFETY FIRST: Care must be taken when handling various pieces of your kit since some contain sharp edges.

Wear work gloves, eye protection and long sleeves when assembling or performing any maintenance on your kit.

GROUND MUST BE LEVEL: Be sure Floor Frames lie flat on ground. To prepare earth bed, remove sod and other debris. Level the high spots with flat shovel and tamp the bed down.

DO NOT STEP ON CHANNELS UNTIL FLOORING MATERIAL IS IN PLACE!

Separate contents of the carton by the part number while reviewing parts list. Check to be sure that you have all the necessary parts for your kit.

Find someone to help you: it is much easier with someone to hold parts, pass tool sect. Also some steps require two people to lift structures together. This is not very heavy work so would suit most able-bodied people.

Allow plenty of time: rushing often causes errors and the re-doing of incorrect assemblies. If you have never built a shed before, it can take most of a day to carefully complete the construction.

Have the right tools to hand.

Safety clothing as recommended in the 'Tools' section.

Ideally let out the parts and check that all are present before commencing construction.

Lay on cloths or plastic sheets if there is any risk of scratching the parts.

Tighten all nuts carefully, being sure not to miss any.

Check the frame is square and using a spirit level to check that it is upright.

For your safety concern, please do not stand under the metal shed in heavy wind or snow days.

For safety, please use expansion screws to reinforce the posts to the ground.

Make sure all screws are tightened before use.

Please keep all screws loose during the assembly process and tighten them after completing the installation.

Do not use or store objects in the Metal Shed with open flames or flammable chemicals.

Please note that some parts have sharp edges and should be handled with gloves.

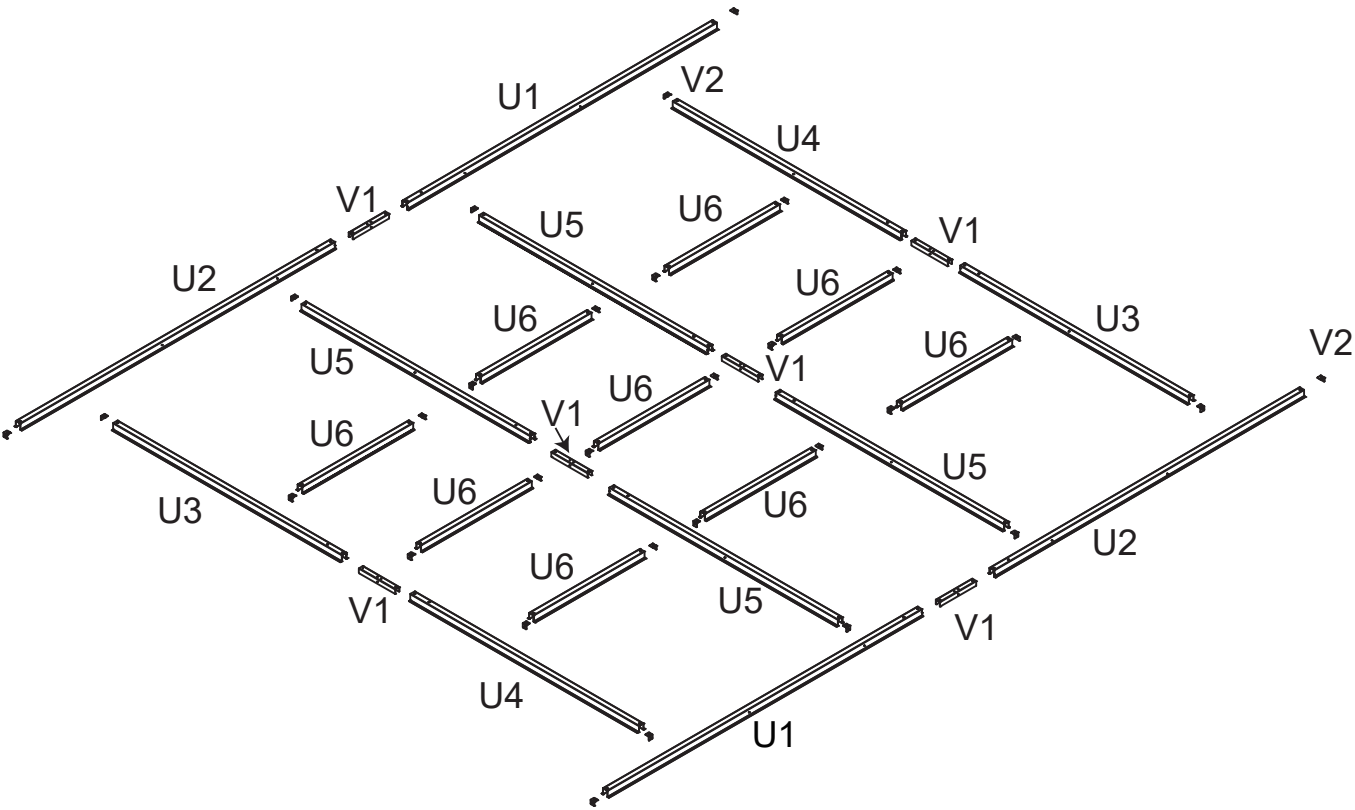
If any parts are missing, broken, damaged or worn, discontinue use of the product until repairs are made or factory replacement parts are installed.

Installation of the product in a manner that does not conform to the manufacturer's instructions may result in the loss of the warranty policy for this product.

PARTS

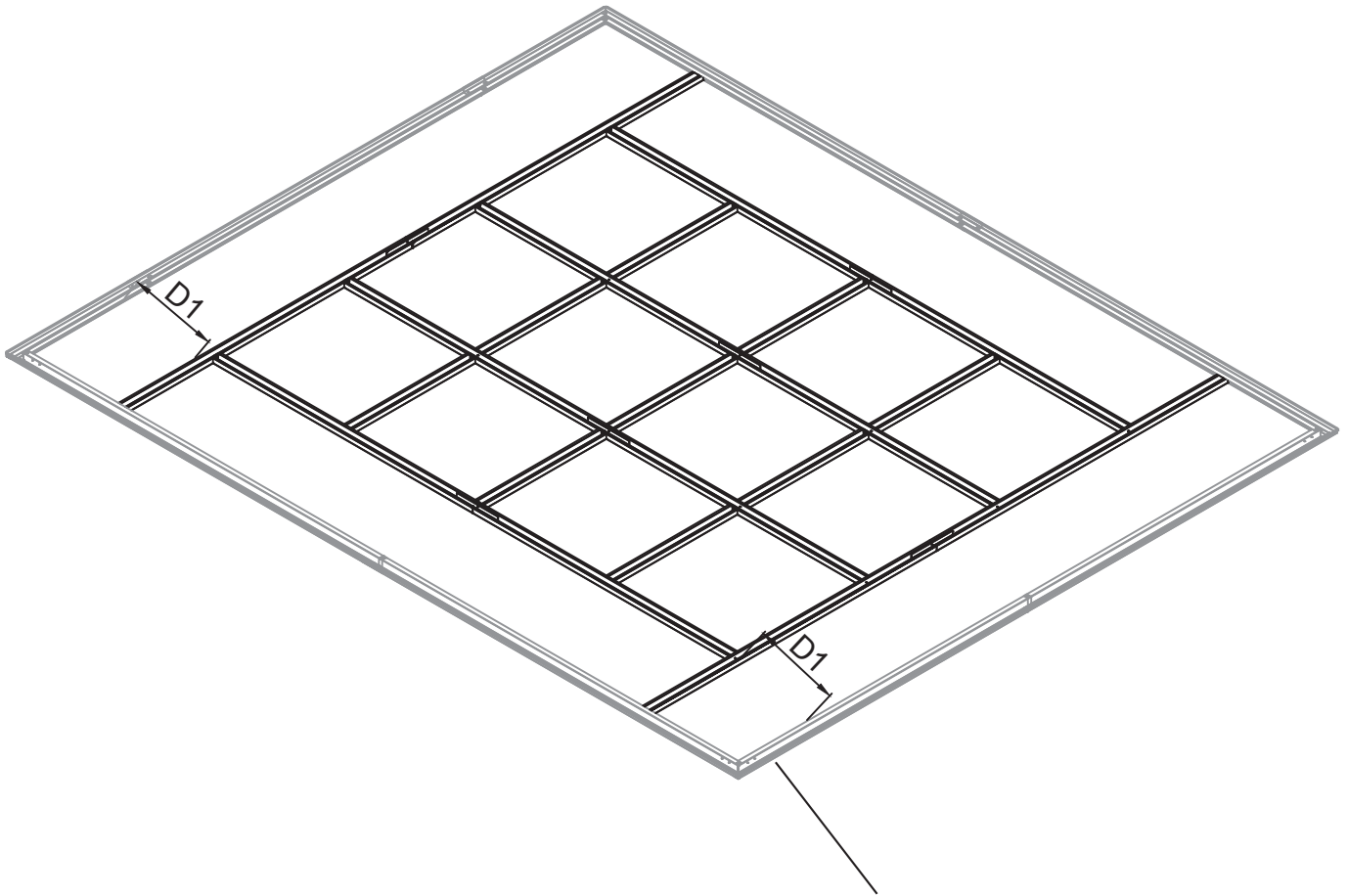
Before installation, please place the parts in the position as shown in the figure below.

Floor Frame Kit	
No.	Qty.
U1	2
U2	2
U3	2
U4	2
U5	4
U6	9
V1	6
V2	30



Exploded View

Before installation, please place the parts in the position as shown in the figure below.

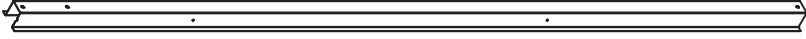
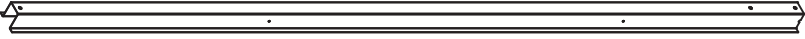
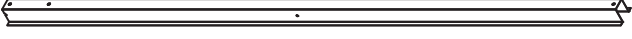
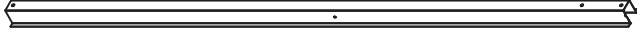


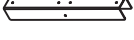



The perimeter is the floor frame from the building



Note: Make sure $D1=D1$

Parts list

SKU: FFK-97001

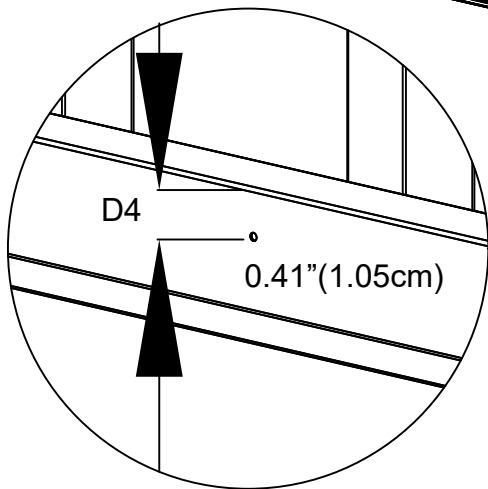
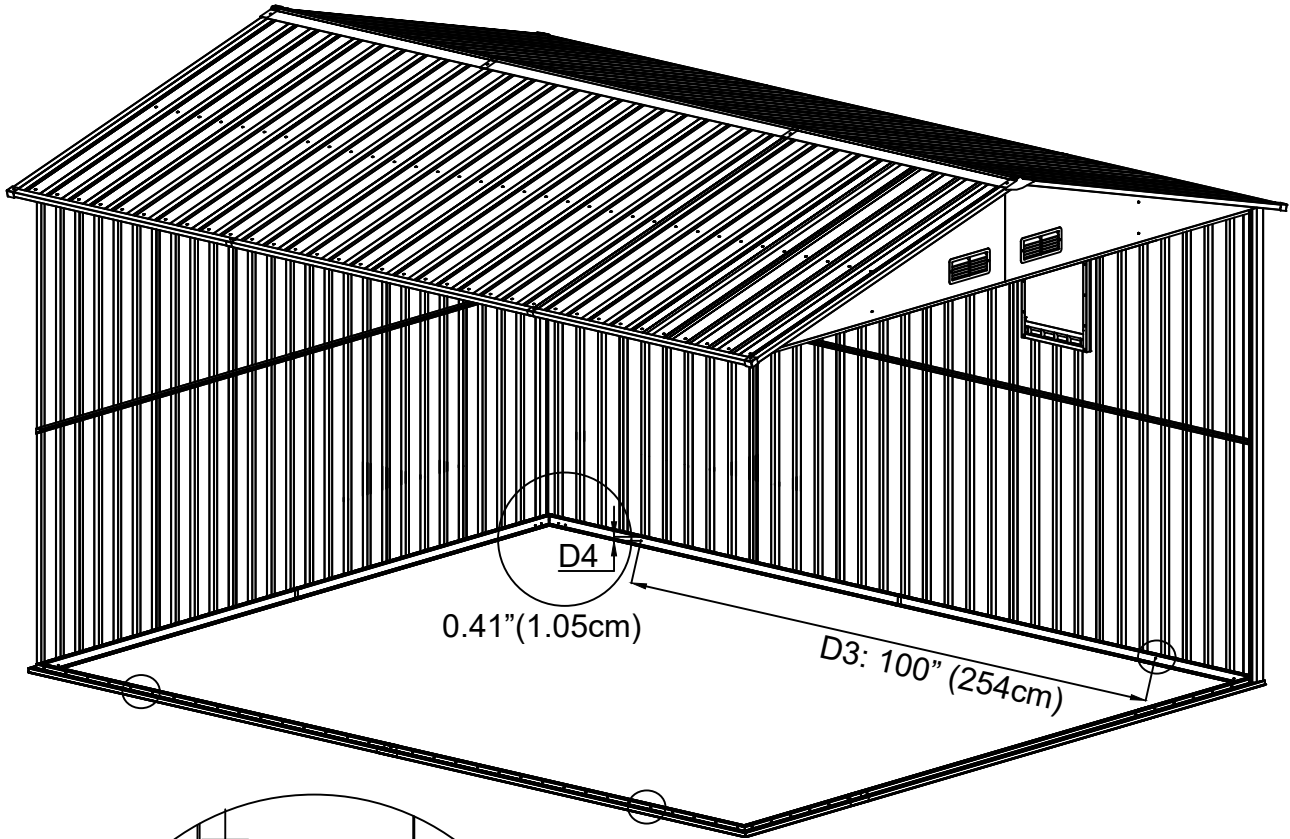
No.	Qty	Part Image
U1	2	
U2	2	
U3	2	
U4	2	
U5	4	
U6	9	
V1	6	
V2	30	

Hardware

Part	Description	Qty	Extra	Part Image
H1	M4*10mm bolt	54	6	
H2	M4*10mm bolt	30	5	

IMPORTANT

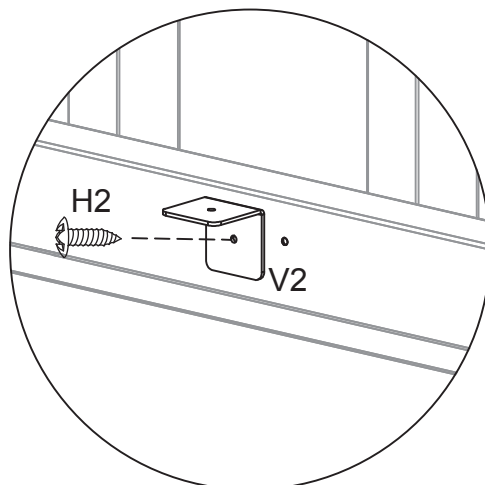
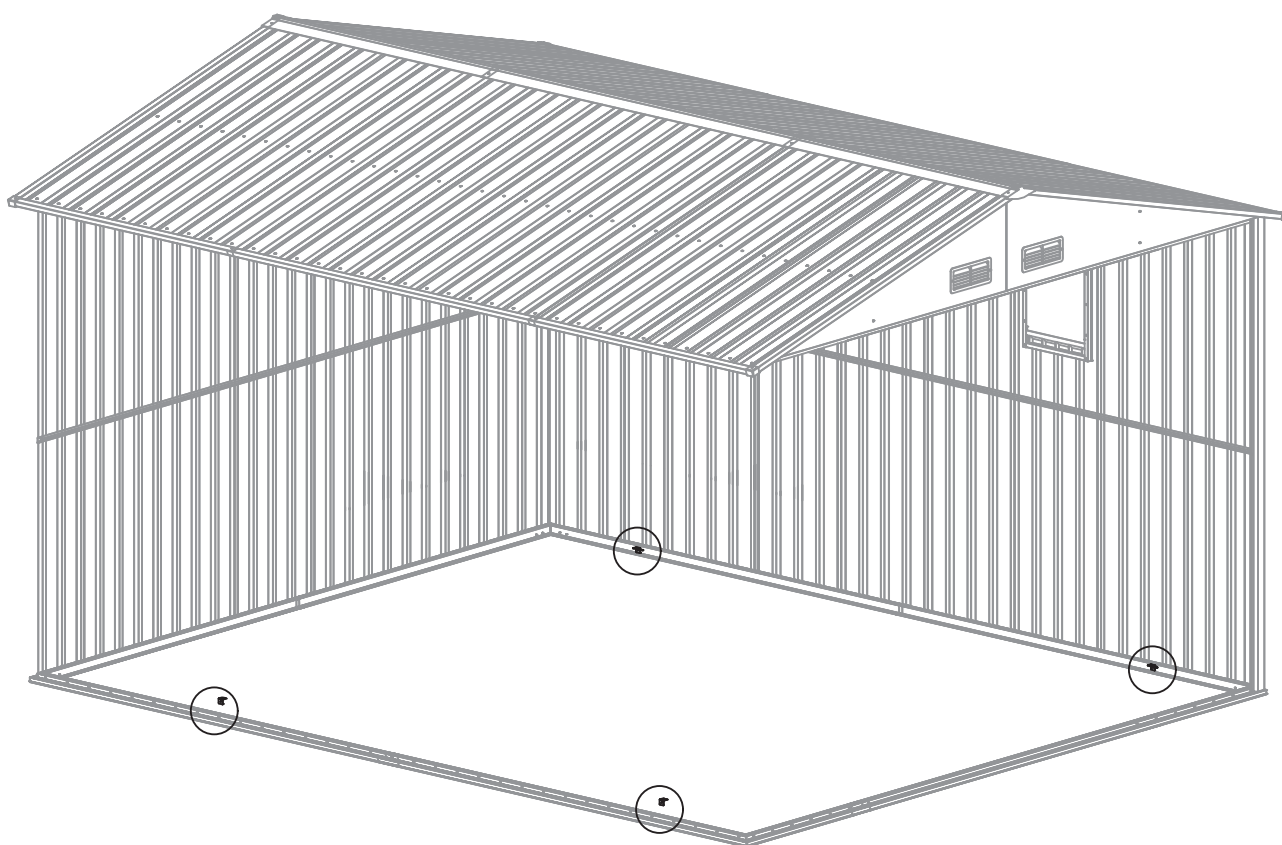
Drill four holes in the base of your building by using screw driver(not include) before starting assemble this kit.



D4(distance from top of base to hole) =0.41"(1.05cm)



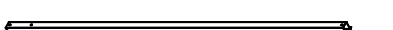
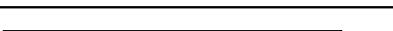

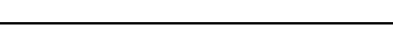
D3(distance between two holes)=100" (254cm)

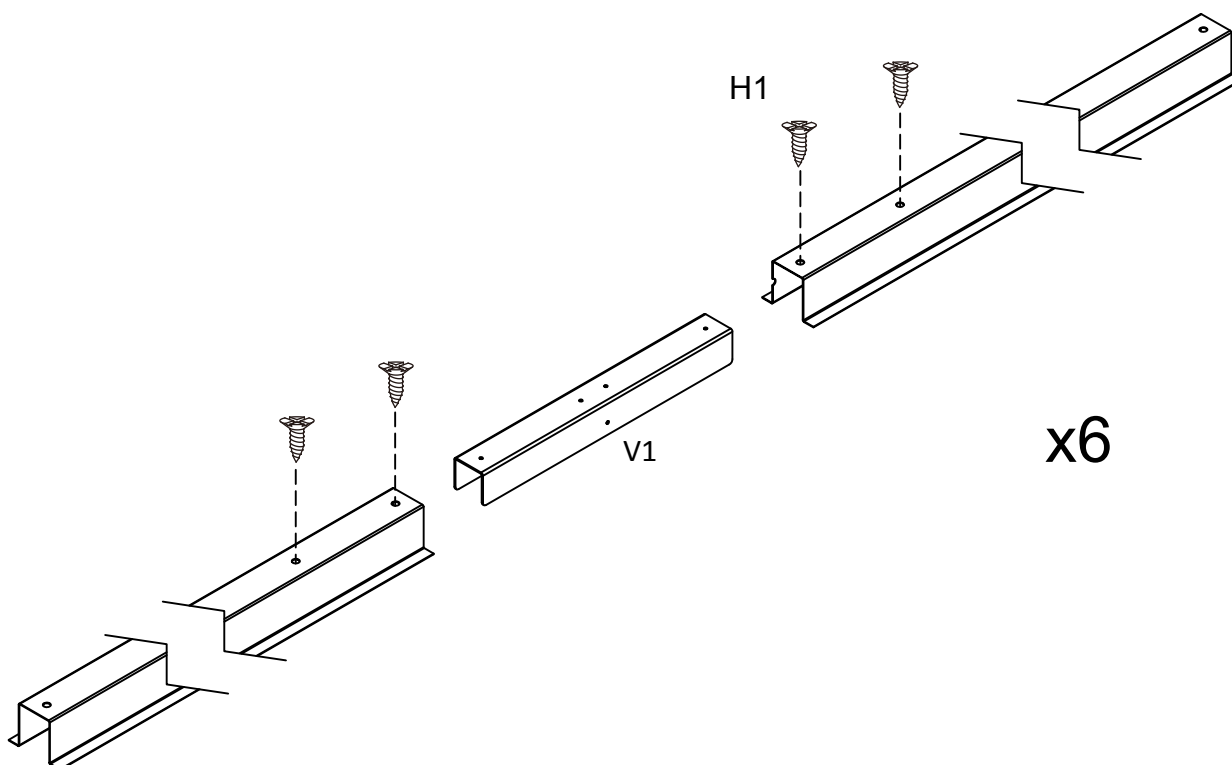
Step.1



x4

Step.2

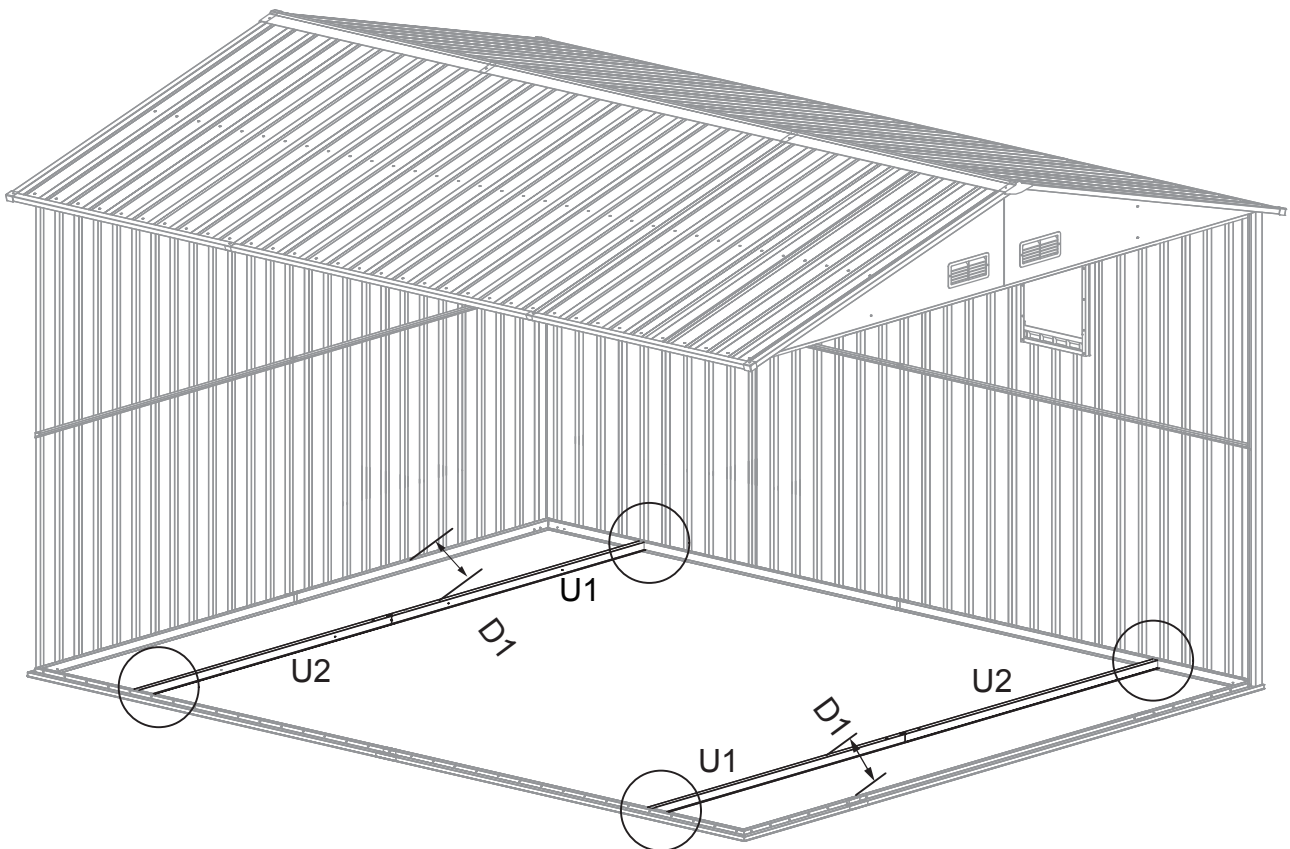
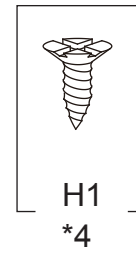
	U1*2
	U2*2
	U3*2
	U4*2
	U5*4
	V1*6



- x2: attach U1, V1 and U2
- x2: attach U3, V1 and U4
- x2: attach U5, V1 and U5

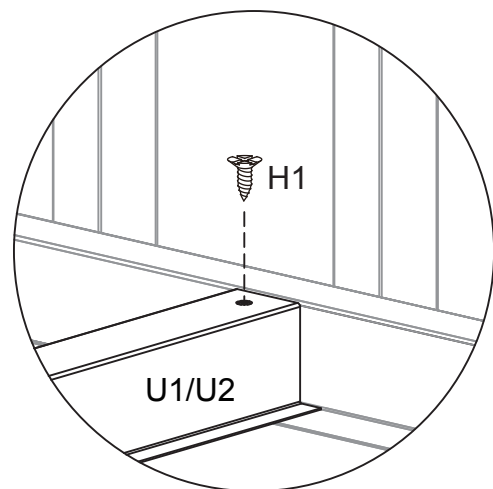
Note: Find the corresponding numbered parts and install them as shown in the picture.

Step.3

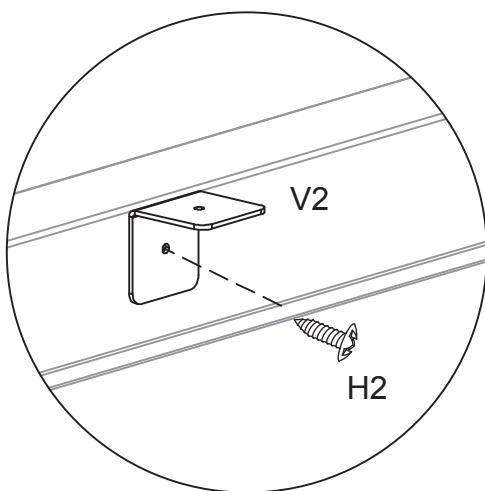
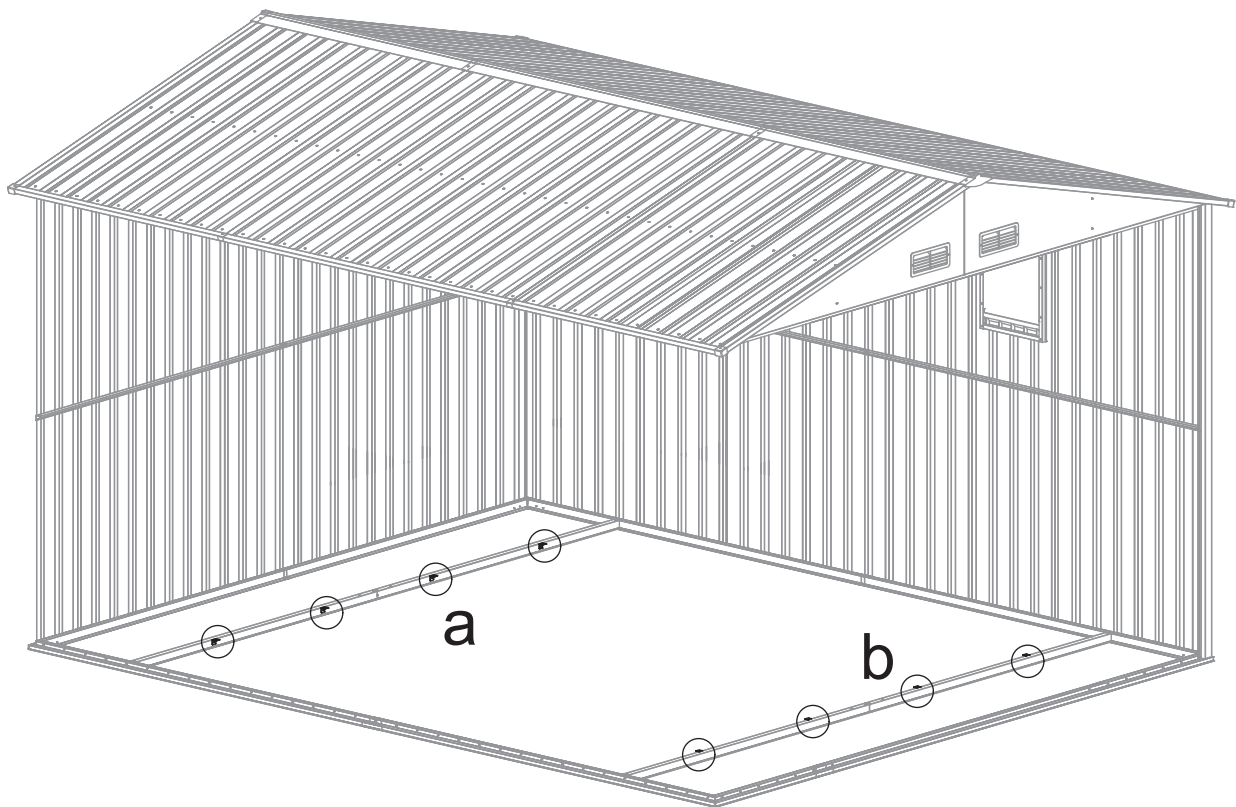
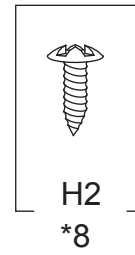


Note: Make sure D1=D1

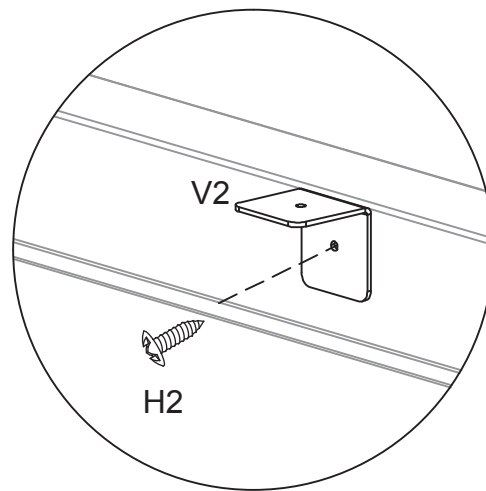
x4



Step.4

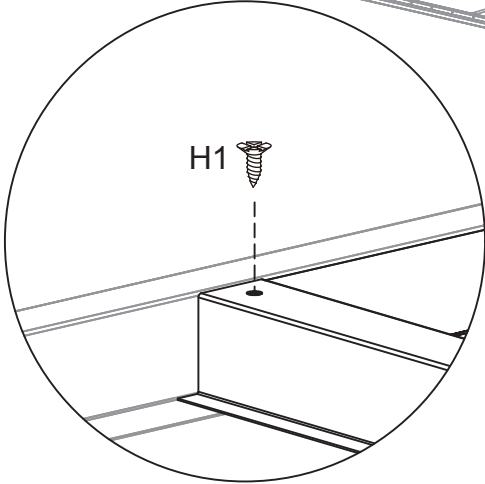
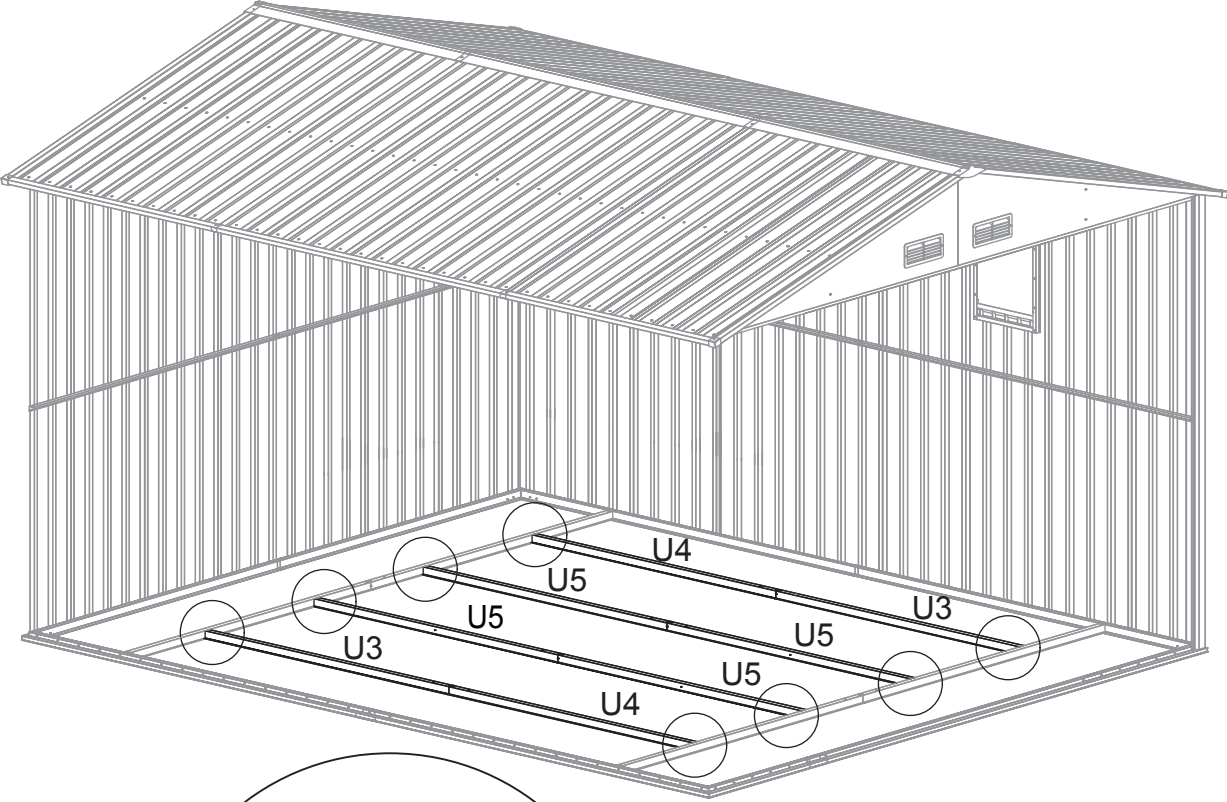


ax4



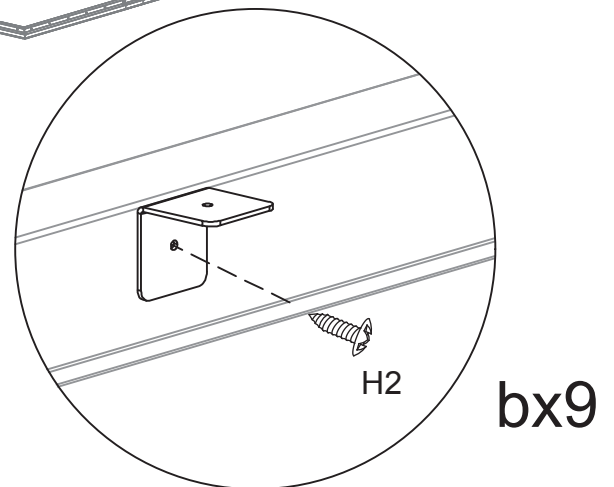
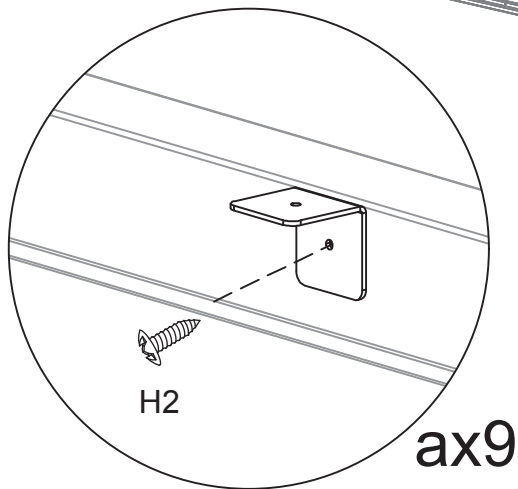
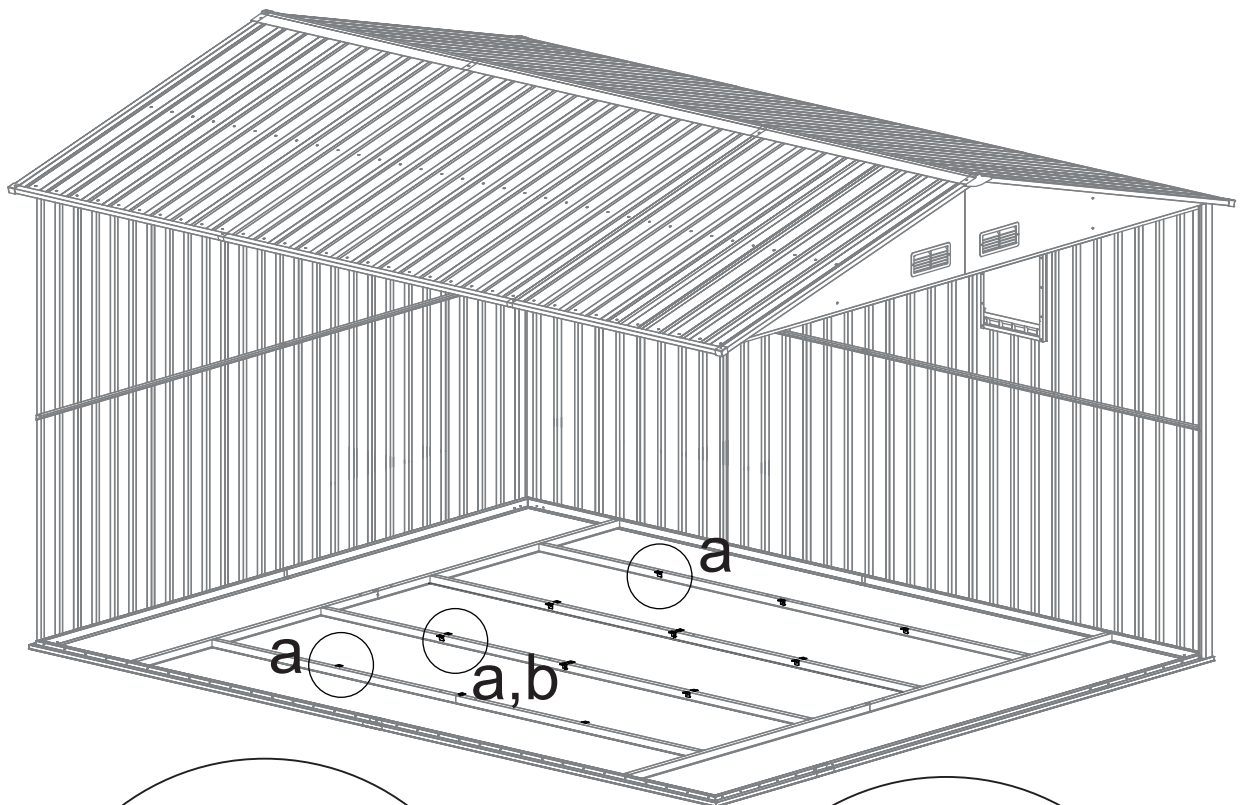
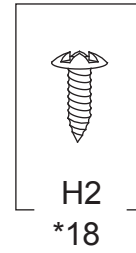
bx4

Step.5

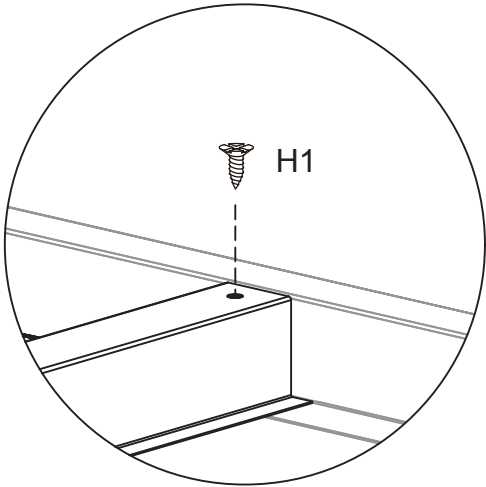
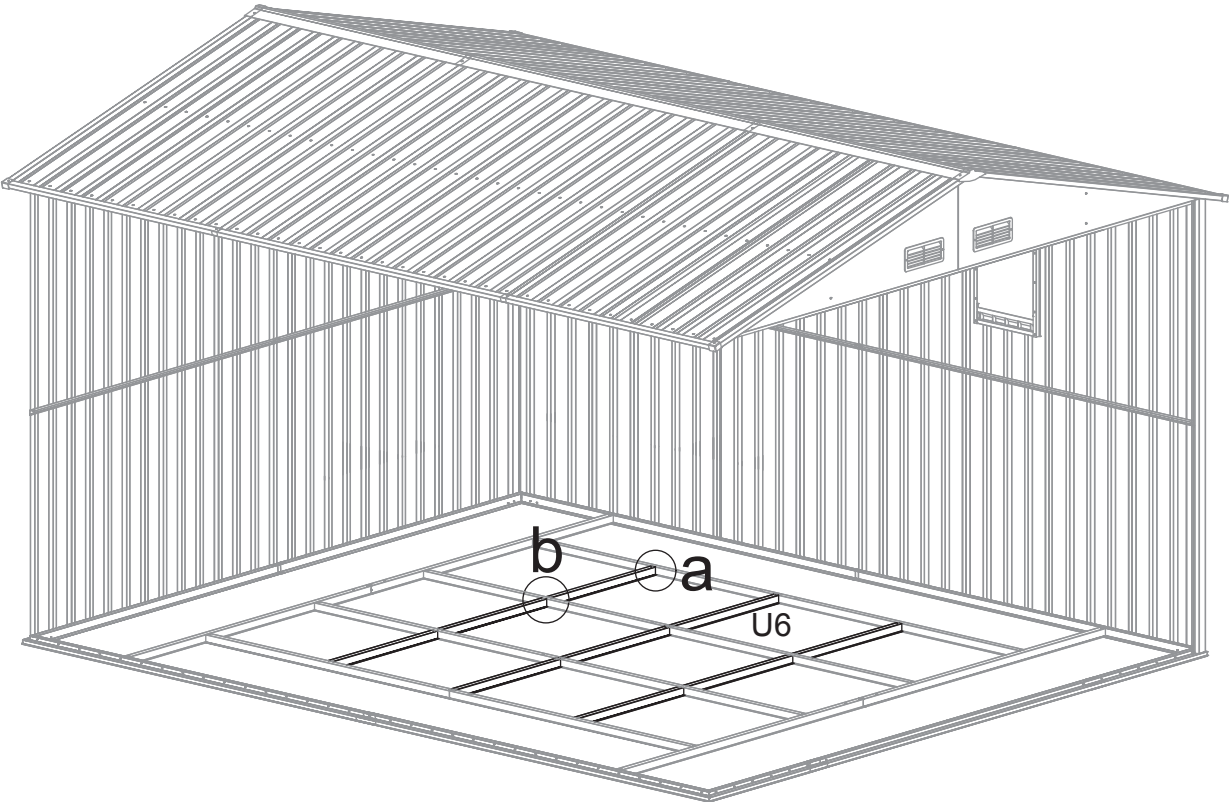
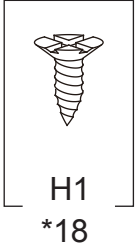


x8

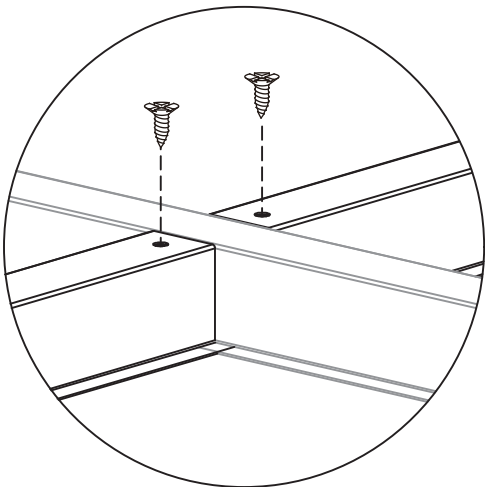
Step.6



Step.7



ax6



bx6

Plywood Requirements

The floor frame kits provide the galvanized metal framework to add a floor to your shed. The frame will raise the floor above ground level to help with drainage under your shed.

METAL FRAMING ONLY – Attach plywood to complete your shed floor.

Use 5/8” minimum thickness, exterior grade plywood that has a waterproof adhesive, but **DO NOT USE pressure treated plywood. If pressure treated lumber comes in contact with this product it will cause accelerated corrosion and VOID your warranty.**

Installing Plywood

1. Cut Plywood to dimensions per requirement.

Note: Verify building dimensions prior to cutting plywood. Install your plywood at the rear of the building working to the front.

2. Fasten to frame with dry wall screws (not included).

NOTE: If the building you purchased has horizontal siding and or swing doors, a notch must be cut in the plywood around each inside siding stud and door jamb in order to get the plywood to install correctly. For questions contact Customer Service at customer care@lava-star.com