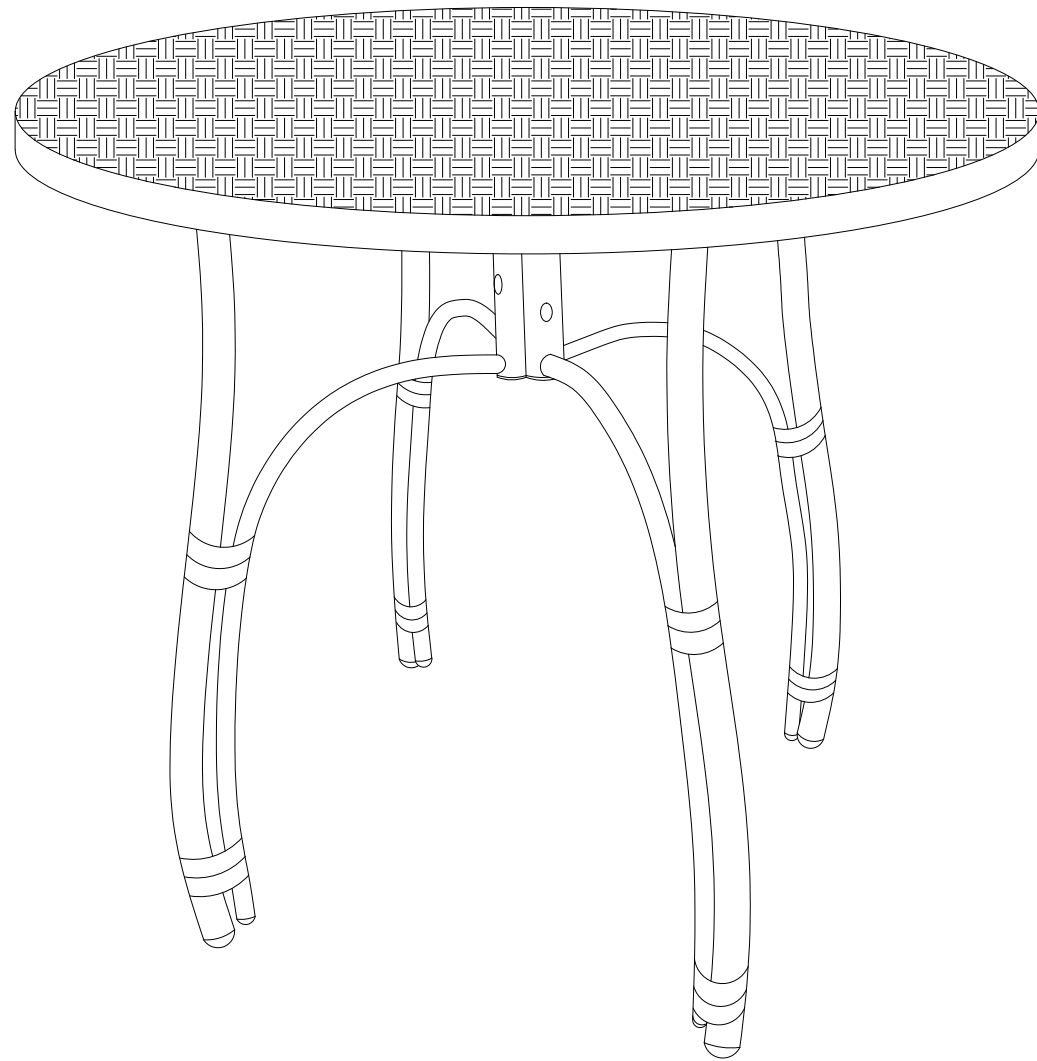


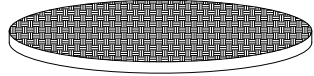
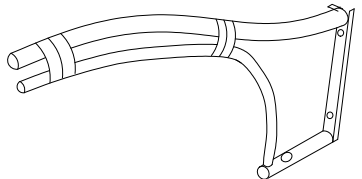
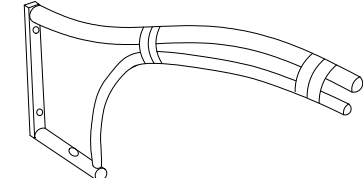
# ASSEMBLY INSTRUCTION

## Outdoor Dining Table

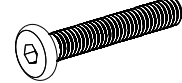
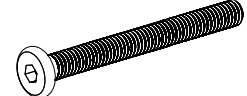
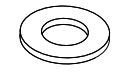


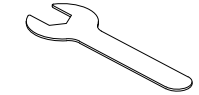


THANK YOU FOR PURCHASING

### Component List

LABEL		DESCRIPTION	QTY
A		Desktop	1
B		Leg	2
C		Leg	2

### Hardware List

LABEL		DESCRIPTION	QTY
D	 M6*30	Bolt	8
E	 M6*75	Bolt	2
F	 M6	Washer	12
G	 M6	Jan nut	2
H	 M6	Hex wrench	1
I	 M6	Open end wrench	1

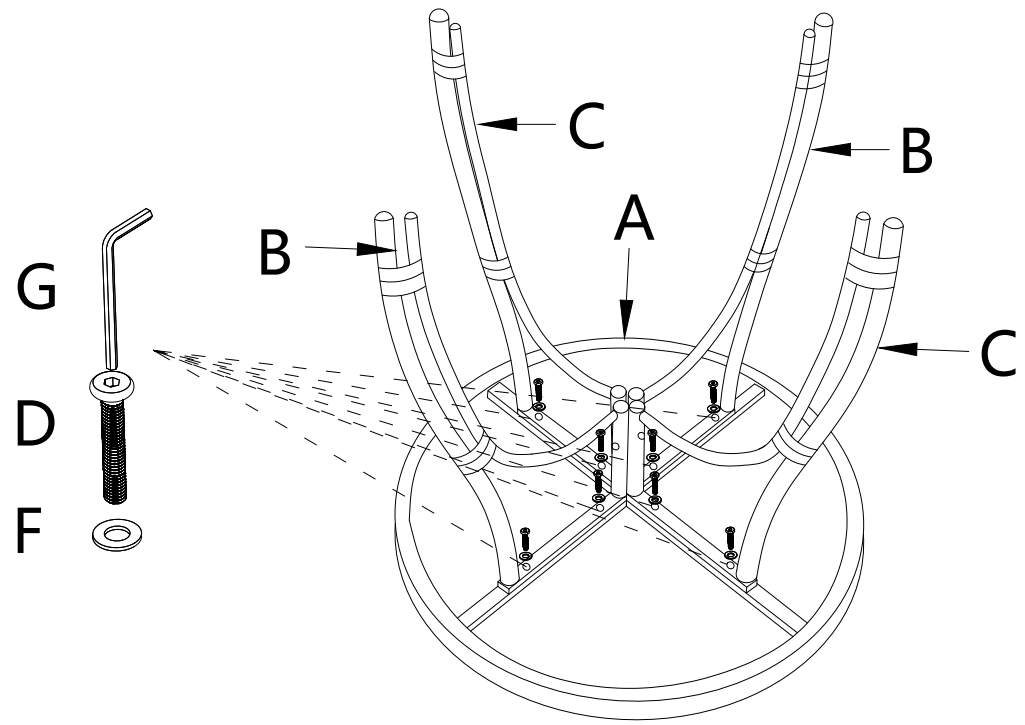
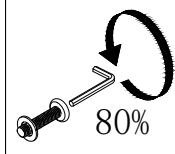
ATTENTION:  
DO NOT tighten screws completely until assembly is completed;

3

1

Dx8PCS  
M6\*30(MM)

Fx8PCS  
M6



2

Ex2PCS  
M6\*75(MM)

Gx2PCS  
M6

Fx4PCS  
M6

