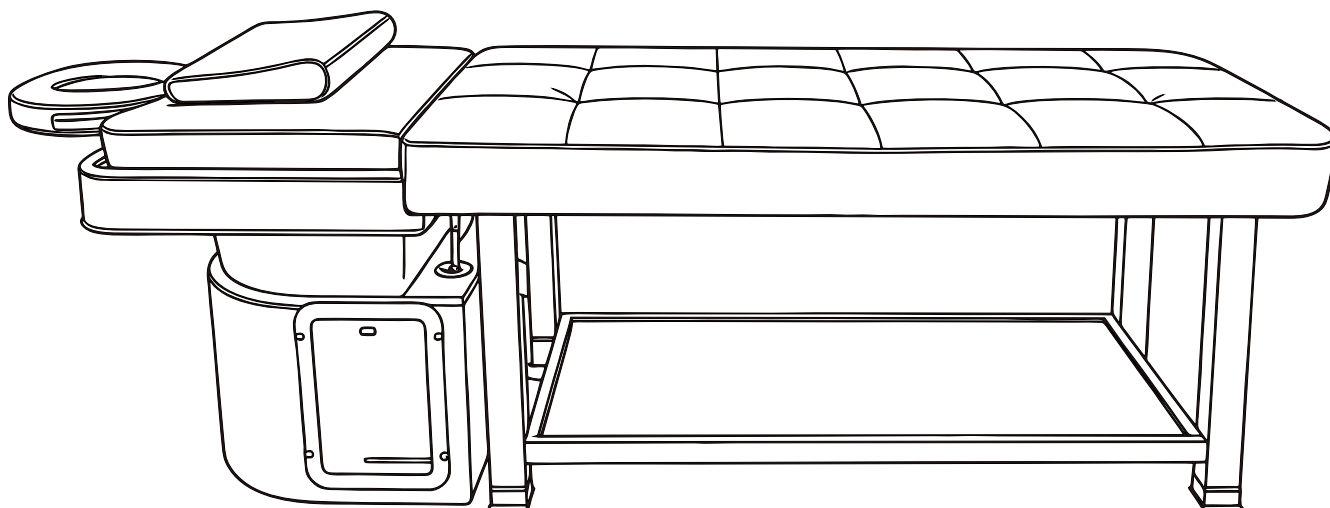


# SUS-XTAMC Assembly Instructions

V-1.0



Assembled by Two Adults  
Recommended maximum load capacity for massage beds: 500lbs


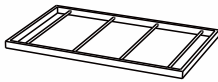





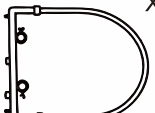

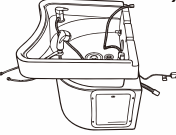

## IMPORTANT:








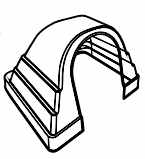


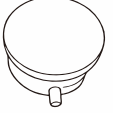


1. Please read the instructions carefully before assembling the product.
2. Before starting the assembly process, check the package carefully to make sure all necessary boards and parts are included.
3. Before assembly, put all parts and boards in an open area. Ensure that you have the correct parts before screwing them in place.

## Warning:

1. During assembly, keep all small objects out of the reach of children, as they may be fatalif swallowed or inhaled
2. Never allow children to climb or play around the product to protect children from injury caused by the tilting of the product.
3. To avoid the potential dangers of suffocation, please keep all parts and packaging away from children.

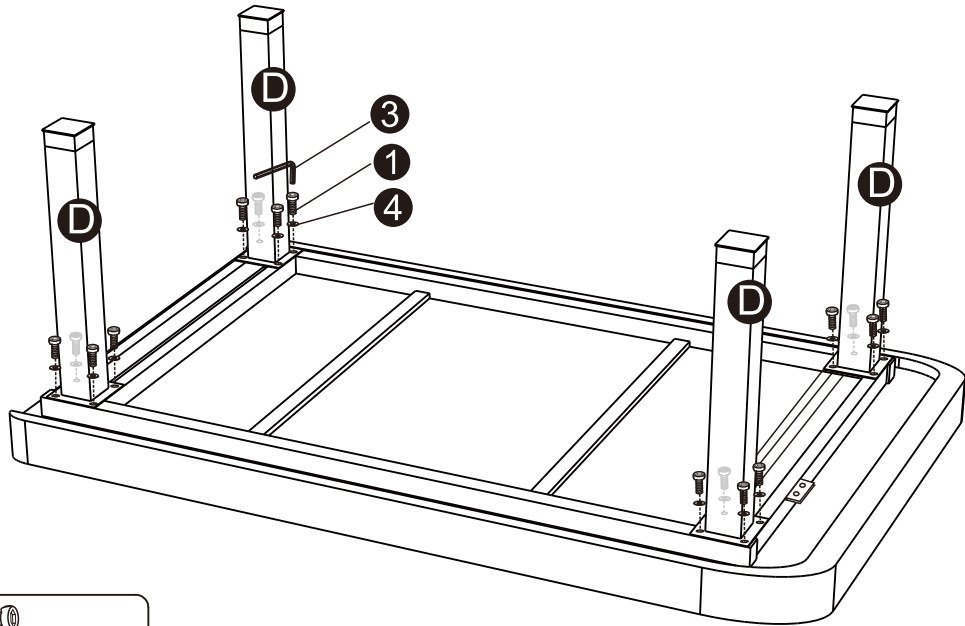
Accessories list




<p><b>A</b> x1</p>  <p>Bed mattress</p>	<p><b>B</b> x1</p>  <p>Storage Rack</p>	<p><b>C</b> x1</p>  <p>Pillow</p>	<p><b>D</b> x4</p>  <p>Bed legs</p>
<p><b>E</b> x1</p>  <p>Head Spa Pillow</p>	<p><b>F</b> x1</p>  <p>Face pillow</p>	<p><b>G</b> x1</p>  <p>Head Spa Cover</p>	<p><b>H</b> x1</p>  <p>Water Dispenser</p>
<p><b>I</b> x1</p>  <p>Fumigation Machine</p>	<p><b>J</b> x1</p>  <p>Head Spa Basin</p>	<p><b>K</b> x1</p>  <p>Rack board</p>	

<p><b>1</b> x18</p>  <p>Screws</p>	<p><b>2</b> x4</p>  <p>Screws</p>	<p><b>3</b> x1</p>  <p>Hexagon wrench</p>	<p><b>4</b> x22</p>  <p>Flat pad</p>	<p><b>5</b> x2</p>  <p>Nut</p>
<p><b>6</b> x1</p>  <p>Bedsheet rack</p>	<p><b>7</b> x1</p>  <p>Bolt</p>	<p><b>8</b> x1</p>  <p>Belt</p>	<p><b>9</b> x1</p>  <p>Short silicone hose</p>	<p><b>10</b> x1</p>  <p>Long silicone hose</p>
<p><b>11</b> x1</p>  <p>Fumigation Box</p>	<p><b>12</b> x1</p>  <p>Controlle</p>	<p><b>13</b> x1</p>  <p>Bend pipe</p>		

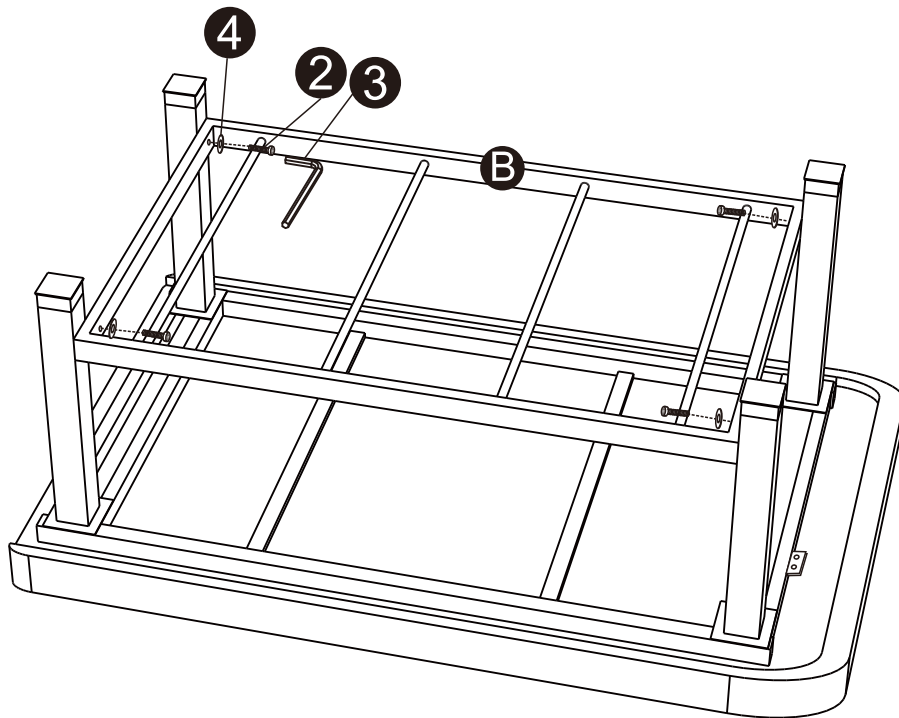
★ In many cases, we include additional hardware. So after following the assembly instructions, don't worry if there are still extra pieces left over-they're included as a "just in case" for your convenience.




STEP 1



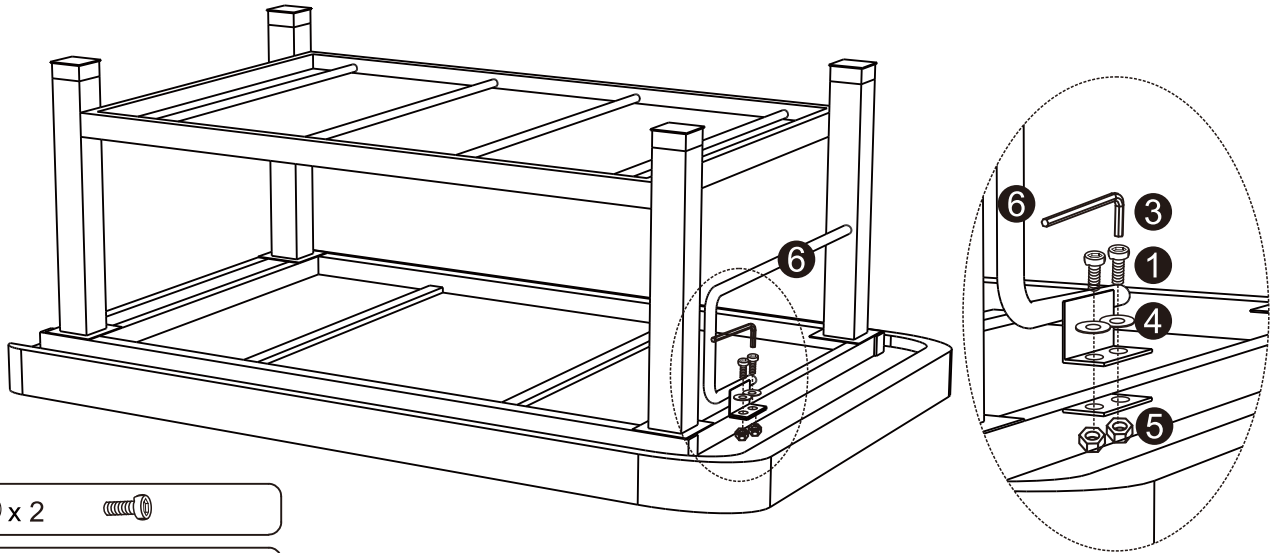
- ① x16 
- ③ x1 
- ④ x16 





STEP 2



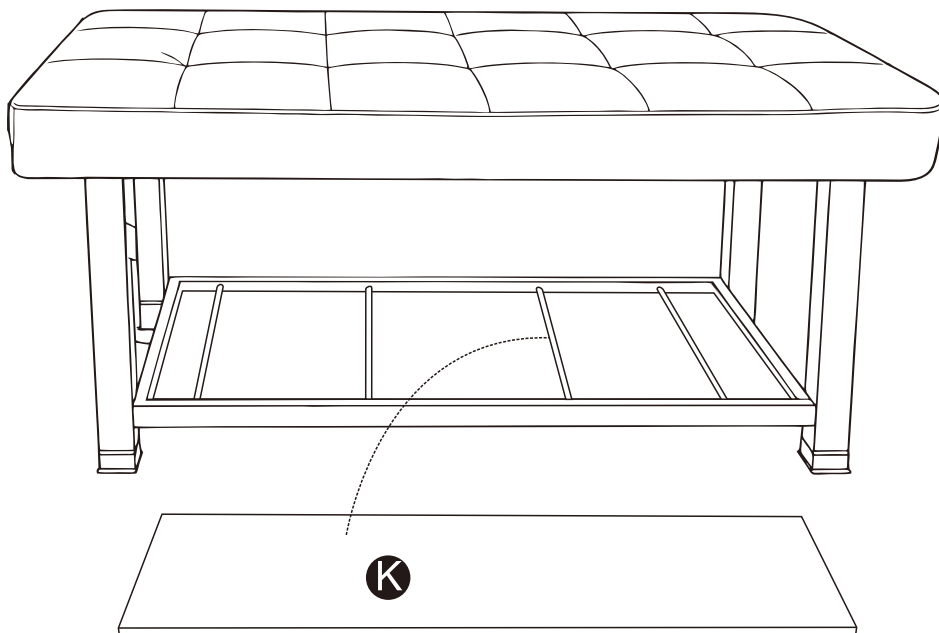
- ② x4 
- ③ x1 
- ④ x4 

### STEP 3

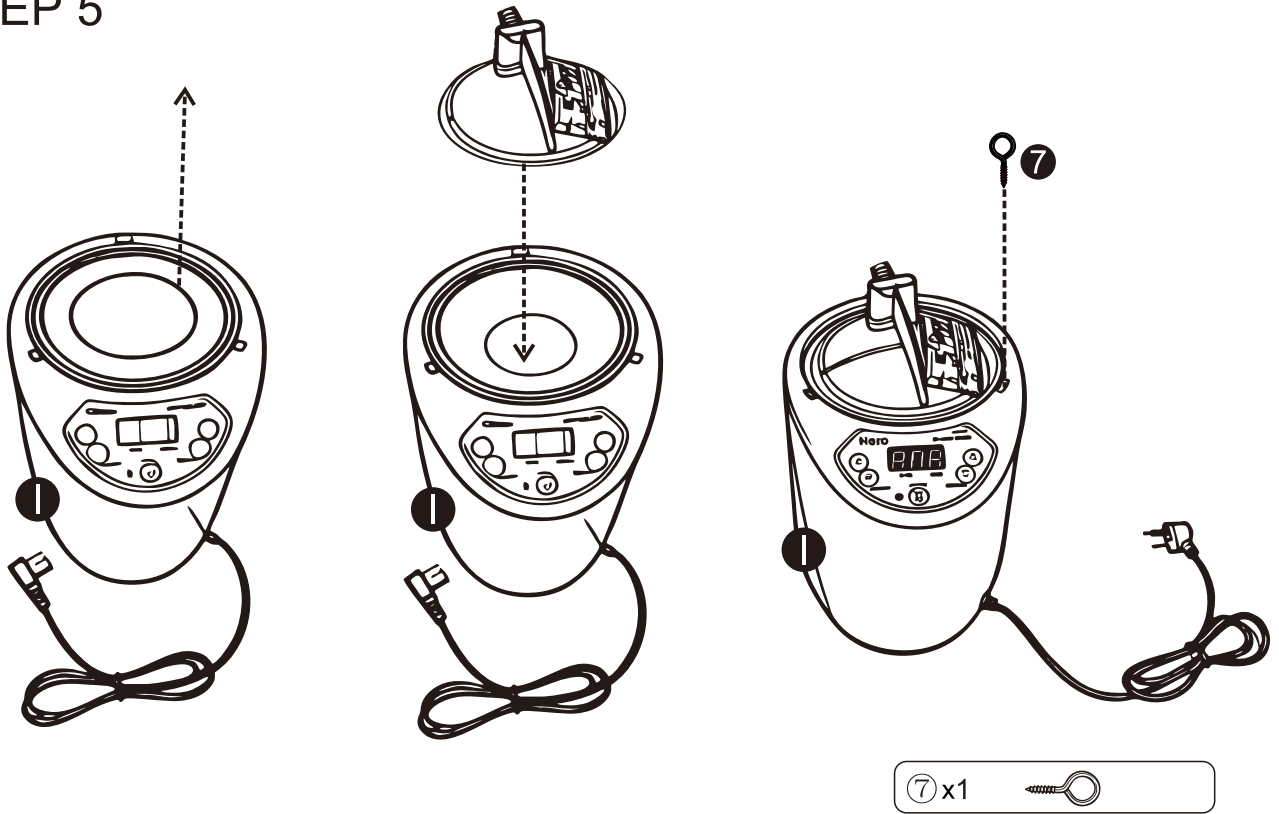


- ① x 2 
- ③ x 1 
- ④ x 2 
- ⑤ x 2 

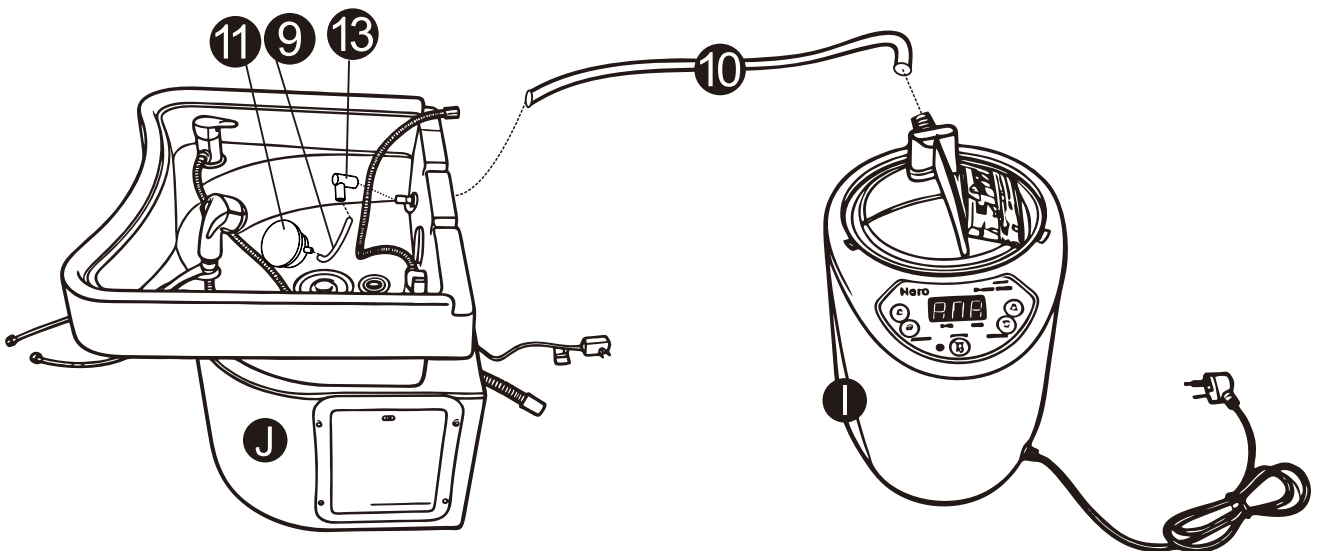
### STEP 4



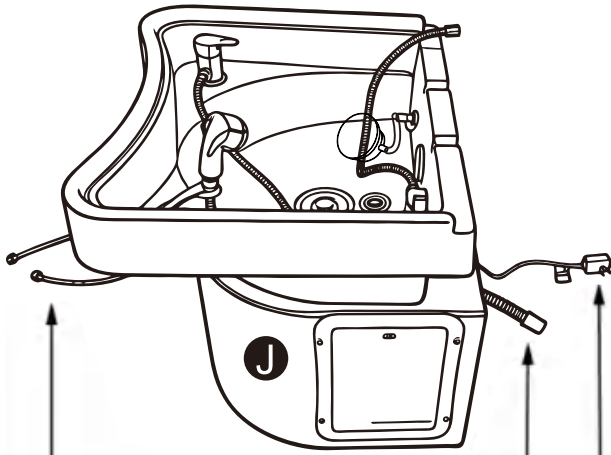
STEP 5



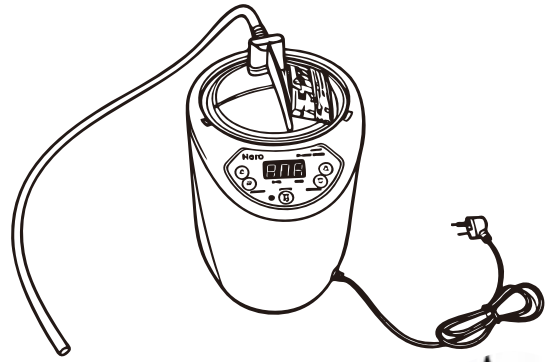
STEP 6



STEP 7

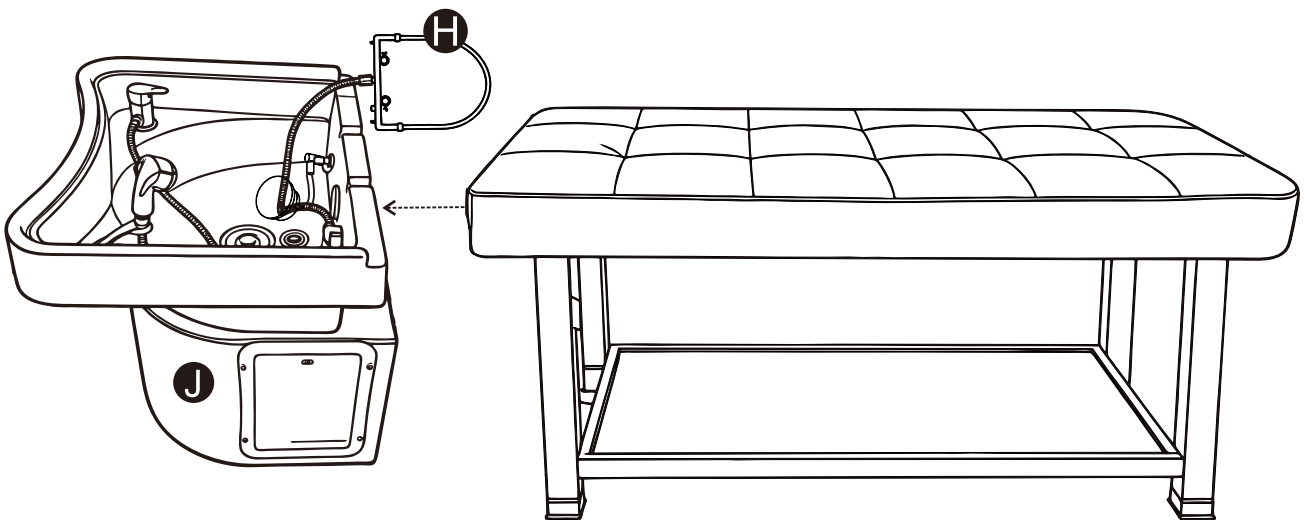


Water inlets  $\approx 72\text{cm}$   
Water outlet  $\approx 33\text{cm}$   
Power cord  $\approx 52\text{cm}$

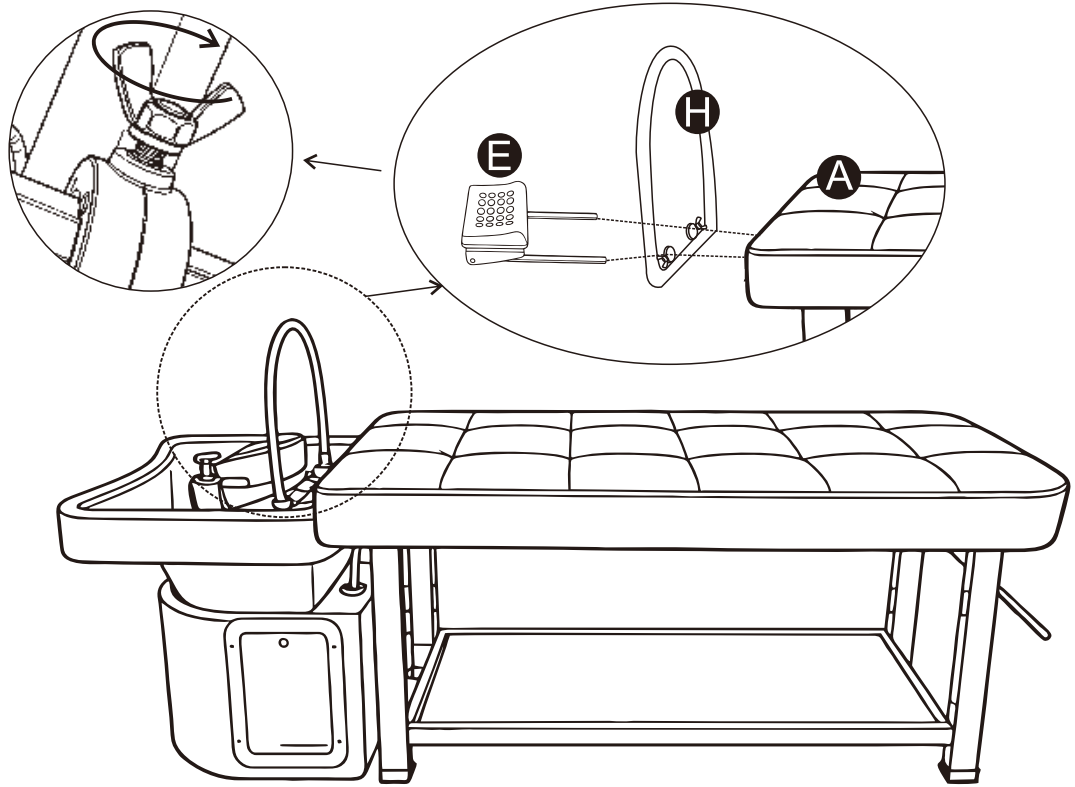


Soft tube  $\approx 100\text{cm}$   
Power cord  $\approx 105\text{cm}$

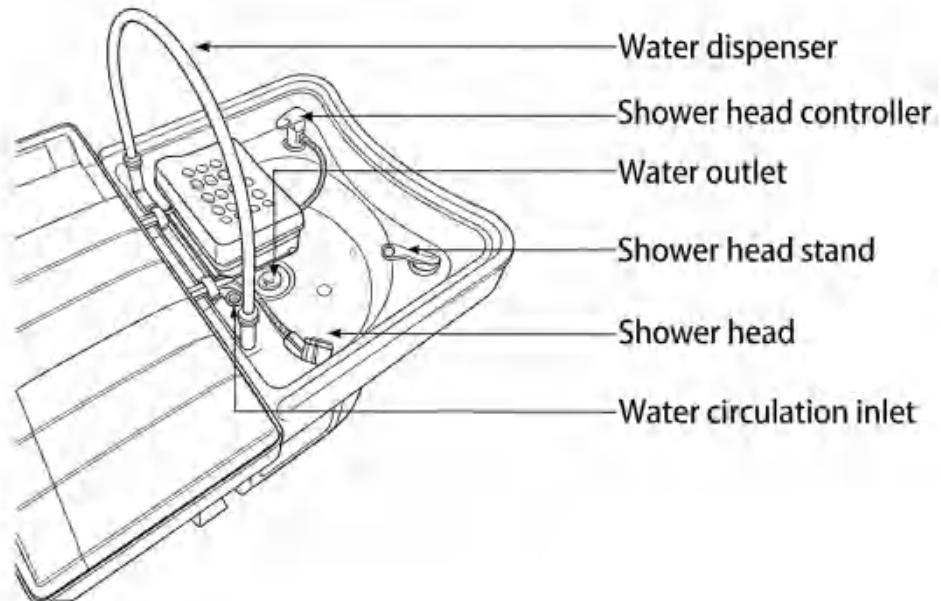
STEP 7



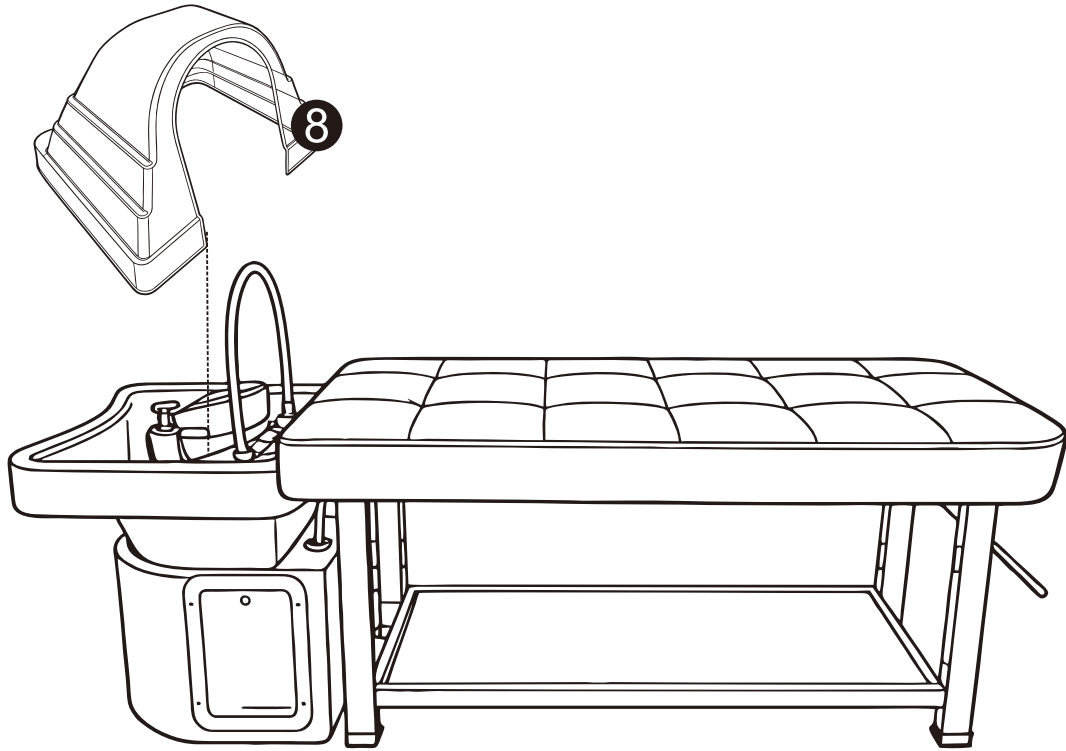
STEP 9



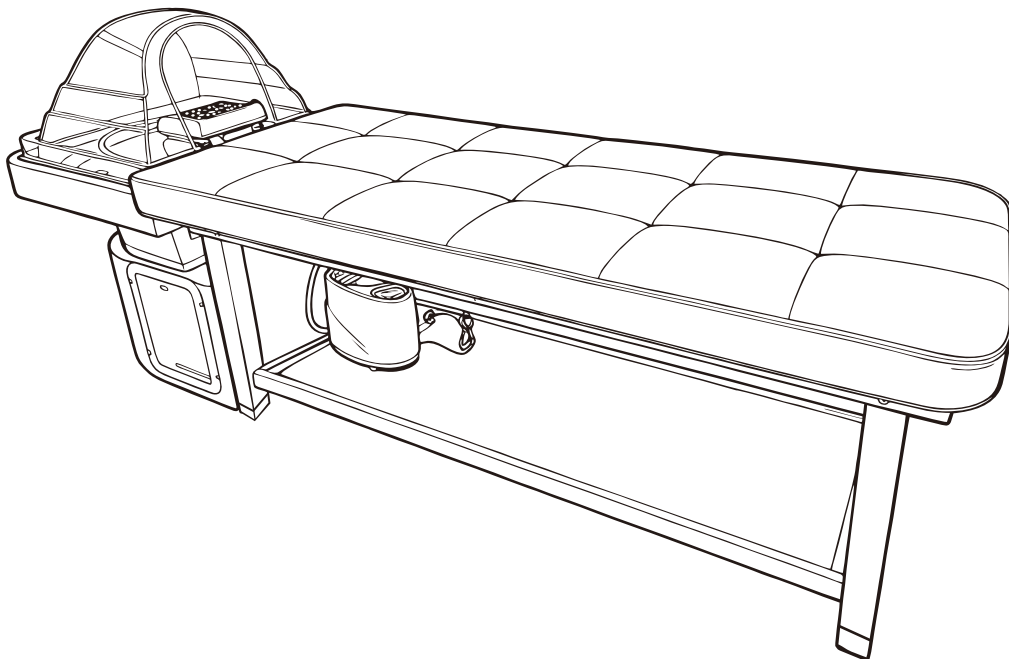
STEP 10



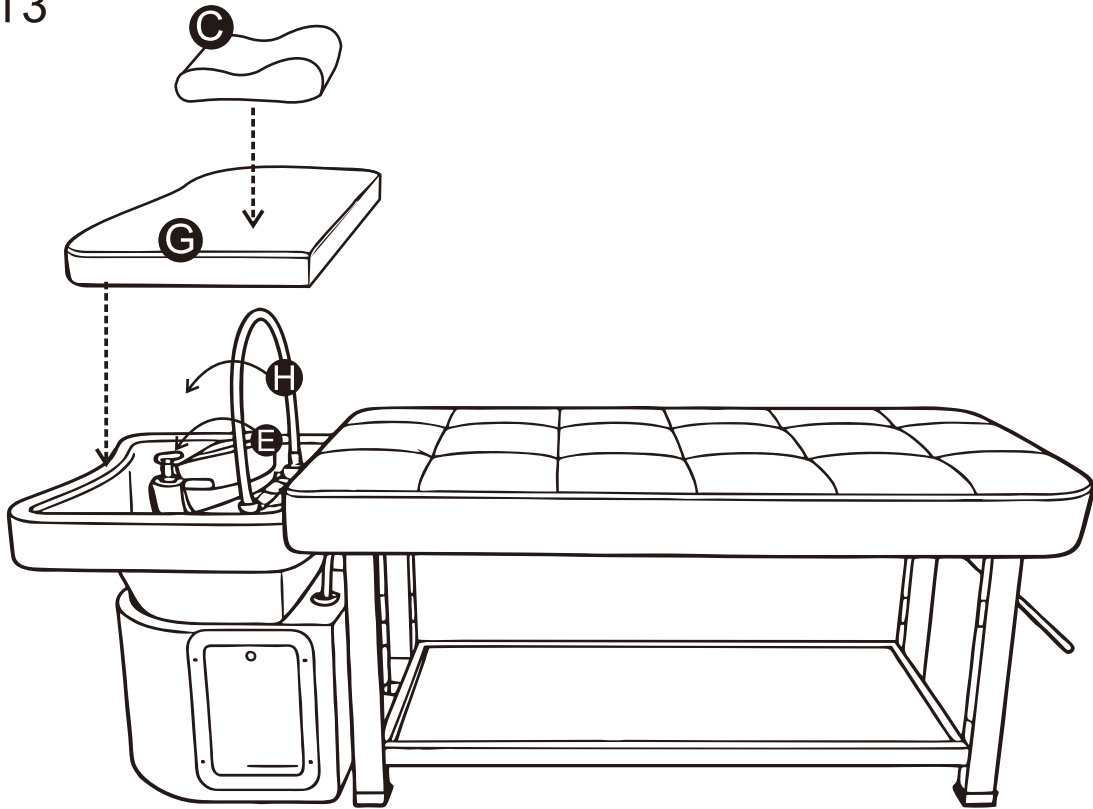
STEP 11



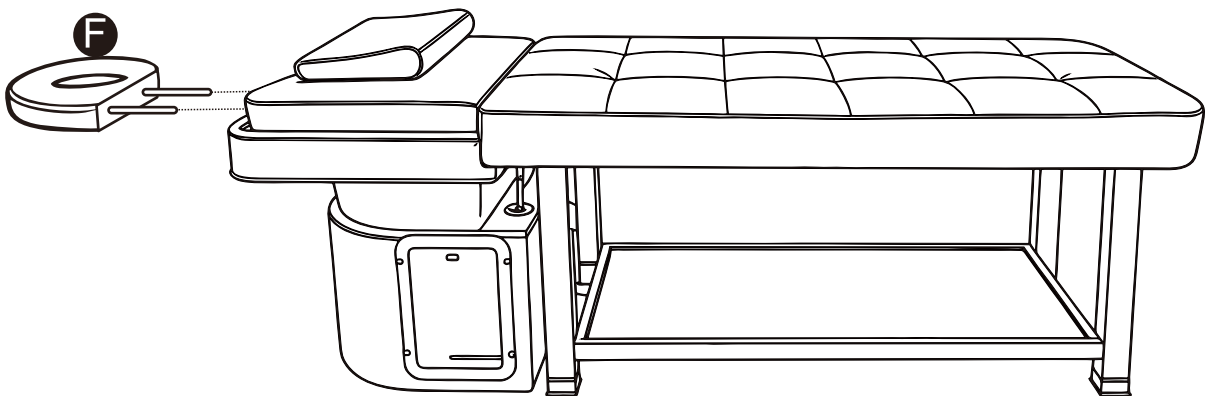
STEP 12



STEP 13

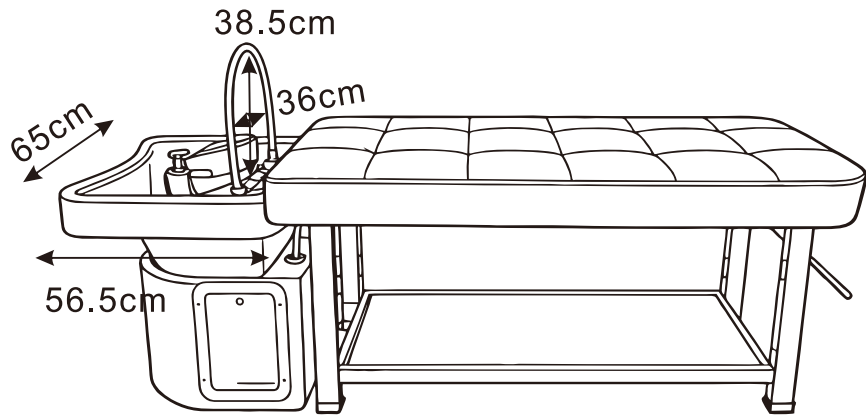


STEP 14

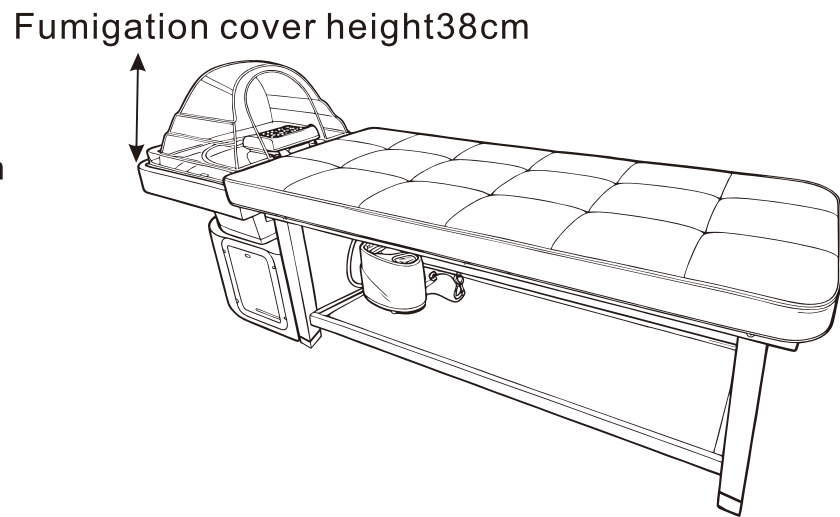


### Functionalities:

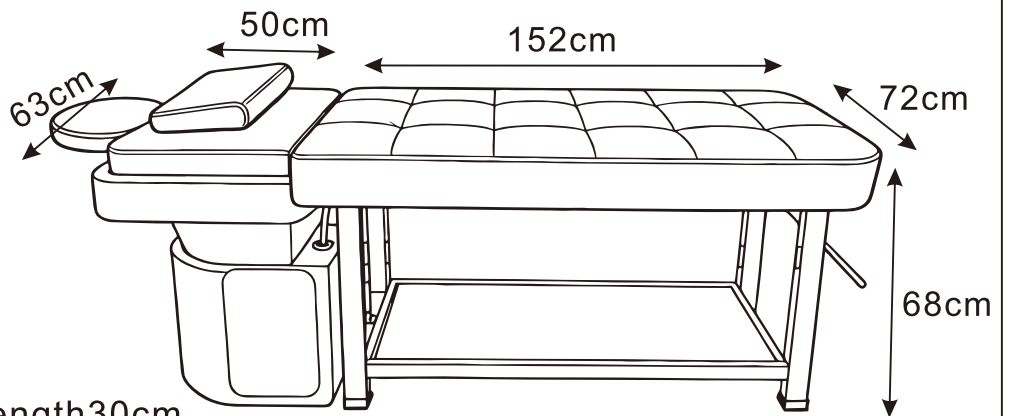
1、 Head Spa Bed



2、 Head fumigation Bed



3、 Massage Bed



Head Pillow Length 30cm  
Width 34cm

## use instruction

### Instructions for use of the water cycle



#### 1. Basic Information:

- 1.1 Power: 1000W
- 1.2 Operating Temperature: -10 to 90°C
- 1.3 Humidity: Over 95% (at 25°C)
- 1.4 Storage Temperature: -40 to 80°C

#### 2. How to Use:

##### 2.1 Overview of Functions:

When you power on the machine, all the indicators will light up for 1 second, then the machine will go into standby mode. After starting the machine, the right side of the display shows the heating status or the water temperature when not heating. When adjusting the temperature, it shows the target temperature. The left side of the display shows the water outlet temperature, timer, and speed settings.

##### 2.2 Button Guide:

- (POWER) Turn the machine on or off.
- (SPA SWITCH) Start or stop the head therapy.
- (TEMP+)/(TEMP-) Adjust the water temperature between 30-50°C.
- (TIME+)/(TIME-) Set the timer between 10-90 minutes, in 5-minute increments.
- (SPA MODE) Adjust the water pump speed between 1 and 2 levels.
- (LIGHT ON) Turn the light therapy on or off.

#### 3. Important Tips:

- 3.1 First-Time Use: Before using the machine for the first time, do not power it on. First, fill the basin with water by pressing the nozzle against the filter inlet. Once water starts flowing from the outlet ring, you can power on the machine. If there's air in the pipes, the machine won't work properly.
- 3.2 Do Not Operate Without Water: Always make sure the basin is filled with water before turning on the machine. The water should cover the filter inlet by at least 3CM, or the machine may malfunction.
- 3.3 Setting Temperature and Timer: A typical temperature setting is around 40°C. Avoid setting it too high. A usual time setting is 30 minutes.
- 3.4 Draining After Use: After using the machine, turn it off before draining the water. Do not remove the filter screen during this process. After all the water has drained, remove and clean the filter.

#### 4. Maintenance:

- 4.1 Keep the Machine Dry: Protect the machine from water and avoid using it in very humid environments.
- 4.2 Clean the Filters Regularly: The machine has two filters to prevent long hair and other debris from clogging it. After each use, clean the first filter in the basin. Clean the second filter under the basin every 2-3 days. After cleaning, reinstall the filter and repeat the first-time use procedure.

#### 5. Common Error Codes:

- E1: Electrical Leakage – Solution: Return the machine for repair.
- E2: Temperature Sensor Issue – Solution: Replace the temperature sensor.
- E4: Overheating or Dry Running – Solution: Turn off the machine, repeat the first-time use procedure, and the machine should work again.

## Congratulation:

Congratulations to you on completing the assembly of the product through your own efforts, you have done a great job.

The assembly of this product may have been difficult, but you still had the patience and perseverance to get it done.

## Notes:

1. If there are any defective or missing parts after unpacking, please stop assembly and immediately contact us.
2. The product is designed for indoor use only and must be assembled and used according to the provided manual. Modifying or altering the product from its original design may result in personal injury or damage to the product.

## Product Maintenance:

1. Please place this item on the level solid ground.
2. Avoid long-term exposure to humid environments to prevent mildew.
3. Keep the product away from high temperature environments or fire sources.
4. If accidentally spill water or another liquid on the surface, immediately wipe with a dry towel.
5. Regularly inspect the tightness of screws while using the product. If necessary, re-tighten to ensure structural stability.