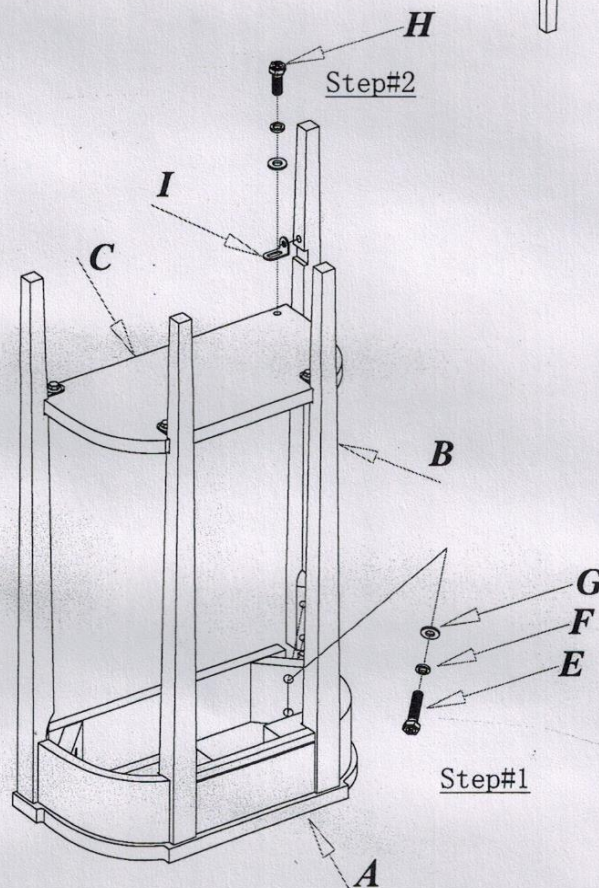
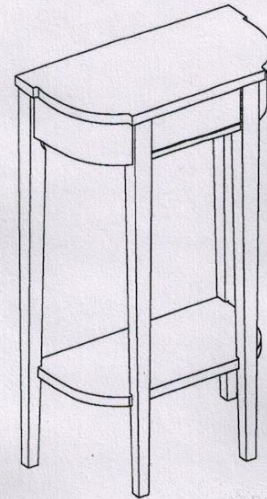


Assembly Instructions

Hardware Package

- | | |
|--------------------------------|---------------------------------------|
| (A) 1 - Top | (G) 16 - Flat Washer Dia: 1/4" * 16mm |
| (B) 4 - Leg | (H) 8 - Bolt Dia: 1/4" * 1/2" |
| (C) 1 - Shelf with Bunfeet | (I) 4 - "L" Bracket |
| (E) 8 - Bolt Dia: 1/4" * 2" | |
| (F) 16 - Lock Washer Dia: 1/4" | |



(* Caution: DO NOT OVERTIGHTEN.

In any correspondence regarding this product, please include the complete identification number located on the underside of the product.

We hope this table will be a useful and decorative addition to your home for years to come.