

## Raindance Select E Showerpipe 300 2-Jet, 2.0 GPM

Finishes : **white/chrome** Part no. : **04610400**



### Description

#### Features

- spray type overhead shower: RainAir
- shelf made of safety glass
- Shelf color: white
- Flow: 2.0 GPM (7.6 L/Min)
- flow rate of hand shower at 3 bar: 2.0 GPM (7.6 L/Min)
- Anti-scald 100° safety stop
- Integrated volume control/diverter for 2 functions
- Outlets may not be operated simultaneously
- Exposed installation
- Thermostatic cartridge

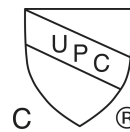
### Item details

List Price \$ 2,233.00

### Technology



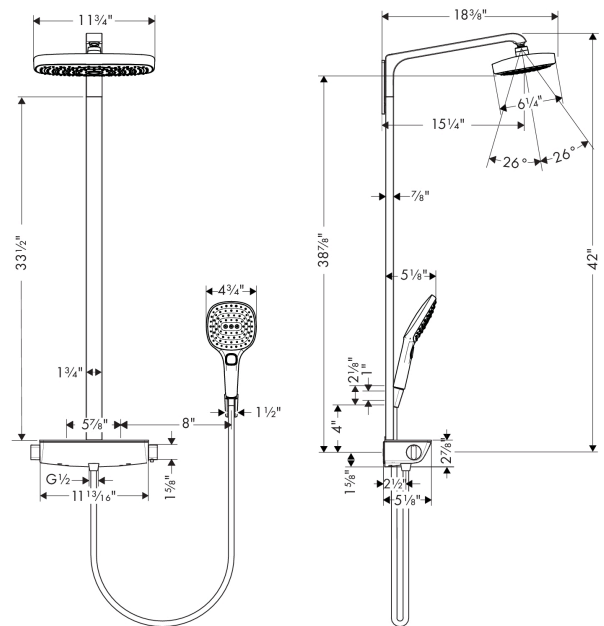
### Compliance



### Product image



### Scale drawing

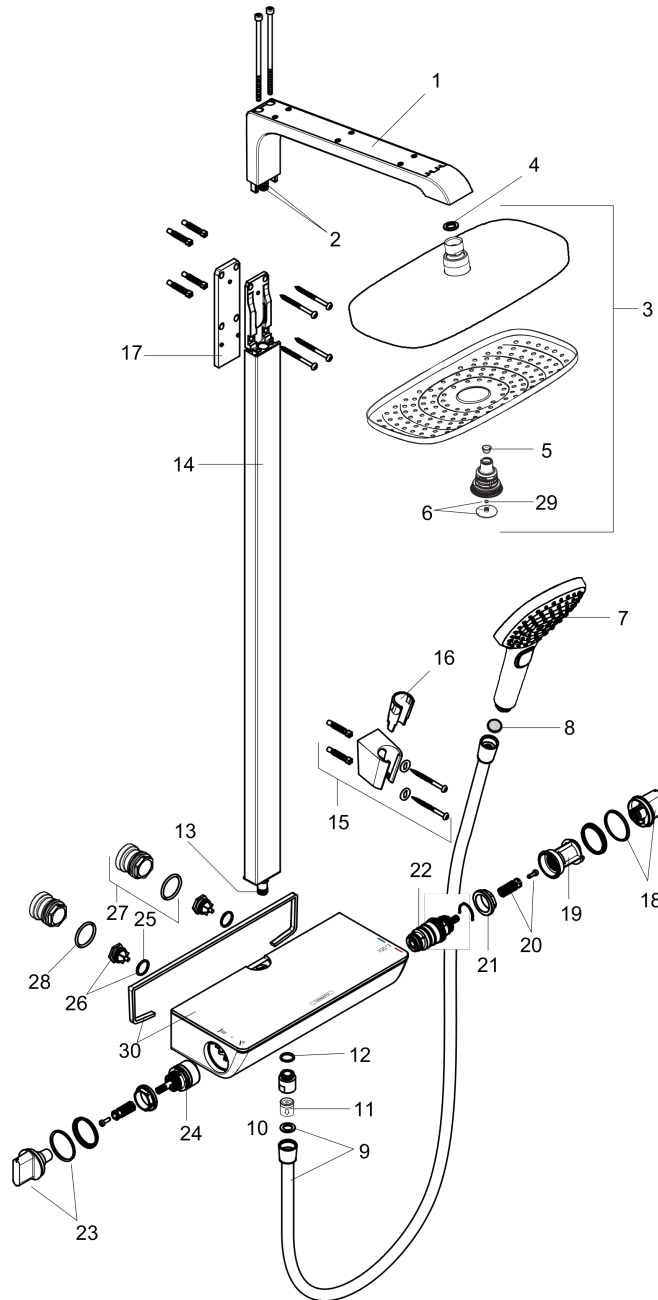


**Raindance Select E**  
**Showerpipe 300 2-Jet, 2.0 GPM**  
 Finishes : **white/chrome** Part no. : **04610400**



Exploded drawing

Year of production: >01/16



**Raindance Select E**  
**Showerpipe 300 2-Jet, 2.0 GPM**  
 Finishes : **white/chrome** Part no. : **04610400**



## Spare parts list

Year of production: >01/16

Pos.	Description	Part no.	Price	PU
1	shower arm	92267000	-	1
2	O-ring 9x1,5	98117000	-	1
3	Overhead shower with female thread G½	04534400	-	1
4	flat seal	97674000	-	1
5	filter	97735000	-	1
6	cover	98344000	-	1
7	handshower	04528400	-	1
8	filter packing	94246000	-	1
9	shower hose 1,60 m	28276003	-	1
10	seal	98058000	-	1
11	set of non return valves DW 15	94074000	-	1
12	O-ring 14x2	98129000	-	1
13	O-ring 9x1,8	98118000	-	1
14	pipe with cover (850 mm)	92265000	-	1
15	shower holder	28331000	-	1
16	guide	98918000	-	1
17	tile-matching-disk 7 mm	95960000	-	1
18	handle for thermostat	95770000	-	1
19	safety set	95771000	-	1
20	handle fixing set	92130000	-	1
21	nut	98913000	-	1
22	thermostat cartridge	98282000	-	1
23	handle	95957000	-	1
24	shut off unit with selector	98283000	-	1
25	O-ring 17x2	98199000	-	1
26	non return valve (pressure-resistant up to 2 MPa)	95773000	-	1
27	set of S-unions	95772001	-	1
28	O-ring 29x3	98371000	-	1
29	O-ring 3x1	98384000	-	1
30	escutcheon	98478401	-	1
a	pipe with cover (1382 mm)	92358000	-	1
b	pipe with cover (1282 mm)	92266000	-	1
c	pipe with cover (950 mm)	92357000	-	1