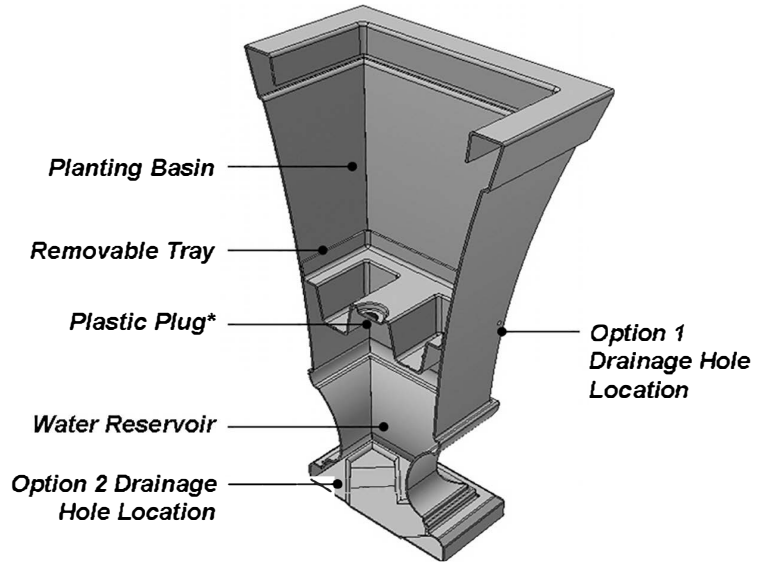




Polyresin Planter
Indoor/Outdoor Use
UV Protected
Shock Resistant



* The plastic plug is placed in the centre of the tray to seal a vent hole from the manufacturing process. There is no need to remove this plug.

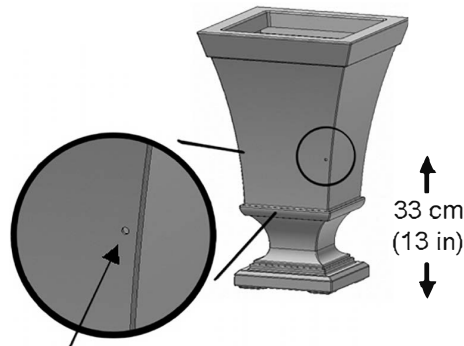
GENERAL INFORMATION:

- Molded from durable, all-weather polyethylene
- Drill drainage holes when using planters outdoors
- For added stability fill inner cavity crushed stone
- Rinse clean with a garden hose; for a deeper clean, use a power washer

OPTION #1

WATER RESERVOIR FEATURE

Drill a 6.3 mm (1/4 in) diameter hole 33 cm (13 in) up from the bottom of the planter. A divot marks the location as shown below. The overflow helps maintain ideal water levels and avoid oversaturation of the soil.



6.3 mm (1/4 in) drainage

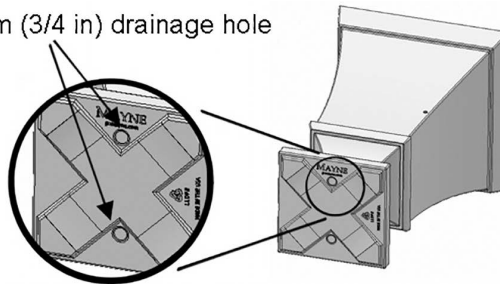


OPTION #2:

CONTAINER PLANTER

To use the planter as a regular container planter, simply drill two holes in the bottom of the planter to allow for drainage. This option is also recommended when inserting potted plants.

1.9 cm (3/4 in) drainage hole



Children can fall into planter and drown
Keep children away from planter with even a small amount of liquid