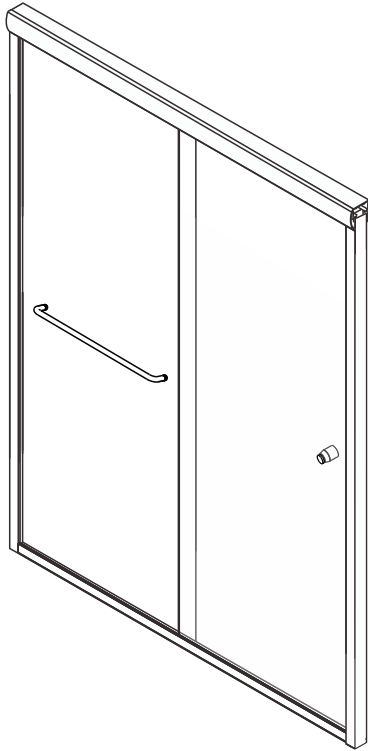


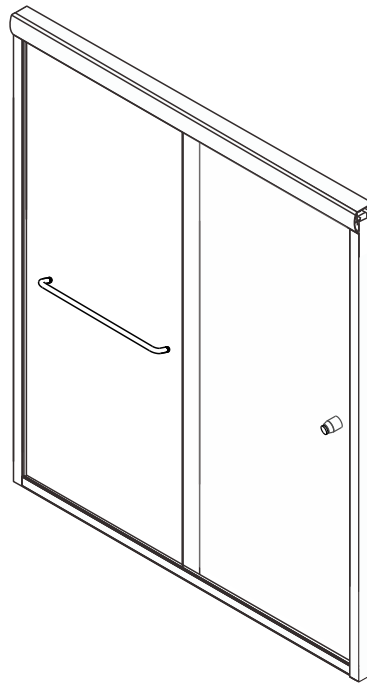
# INSTALLATION INSTRUCTIONS

FOR SHOWER DOOR AND BATHTUB DOOR

## BERLIN SERIES



BE-4872-CH/BN/MB-40  
BE-5472-CH/BN/MB-40  
BE-5972-CH/BN/MB-40



BE-5956-CH/BN/MB-40  
BE-5956-CH/BN/MB-40-F

**CH** -chrome

**BN** -Brushed Nickel

**MB** -Matte Black

**SG** -Satin Gold

**THANK YOU FOR PURCHASING OUR PRODUCTS.  
FOR IMMEDIATE HELP WITH ASSEMBLY OR  
PRODUCT INFORMATION EMAIL US:**



**ServiceSoutien@outlook.com**

Please offer your order ID and the product model number

Our staff is ready to provide assistance M-F 8:00 AM to 5:00 PM PST

**SCAN HERE**

TO VIEW OUR  
INSTALLATION VIDEO



## ◆ General Information

Inspect the product immediately upon receipt for transit damage, missing packs/parts or manufacturing fault. Damage reported later will not be accepted. Handle the product with care avoiding knocks and shock loading to all sides and edges of the glass.

## ◆ Notes: Safety glass can not be re-worked

Read these instructions carefully before start of installation.

Special care should be taken when drilling walls to avoid hidden pipes or electrical cables.

**Note:** This product is heavy and may require two people to install.

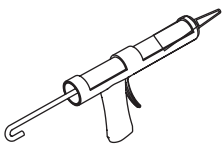
## ◆ Aftercare instructions

After use, your shower should be cleaned with soap and water. This is particularly important in hard water districts where insoluble lime salts maybe deposited and allowed to build up. Cleaners of a gritty or abrasive nature should not be used. Care should be taken to avoid contact with strong chemicals, they can be used but with caution, if in doubt contact the manufacturer of the cleaner in question.

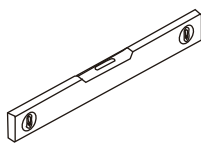
Keep these instructions for aftercare and customer service details.

**Note:** Aluminium top rail can be trimmed up to 4" for width adjustment. If installation opening is smaller, the overlap of two glass panel is bigger, and the entrance size is reduced accordingly.

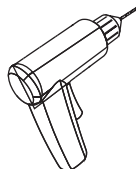
## Tools Required



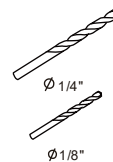
Silicone



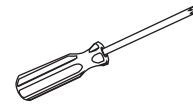
Level



Drill



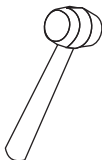
Drill Bit



Screwdriver  
(Phillips)



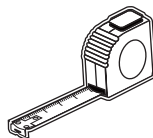
Sealant  
Finishing Tool



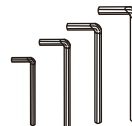
Mallet



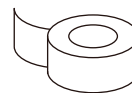
Pencil



Tape Measurer



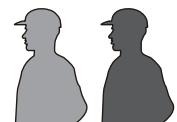
Allen Wrenches



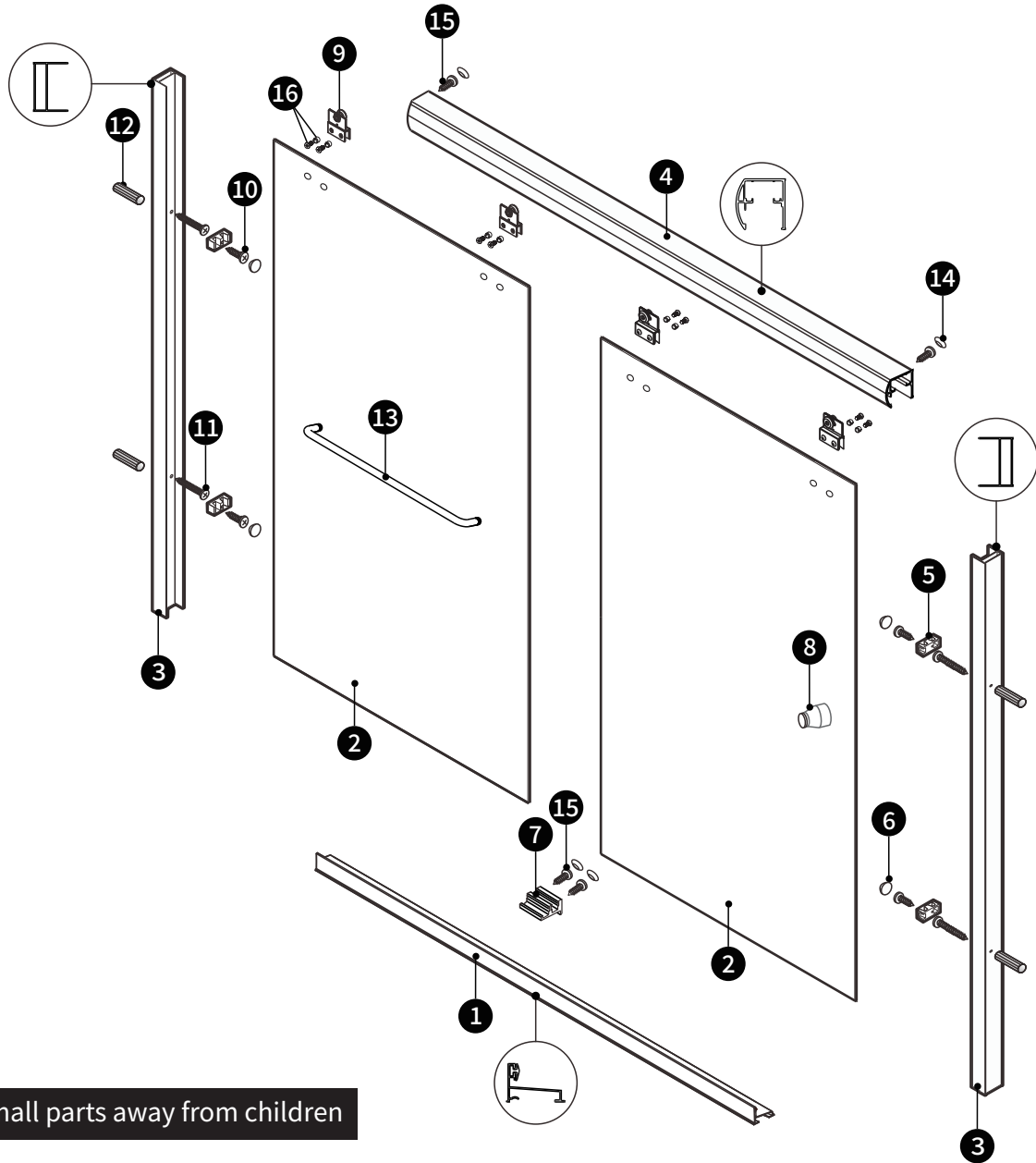
Painters  
Tape

**Tips:** Measure the finished opening before proceeding with the installation to be sure that the correct model size has been ordered.

**Note:** These instructions will show the installation of the shower door. Please follow the same steps for the installation of the tub door.

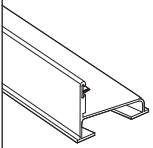
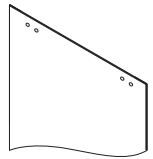
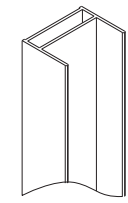
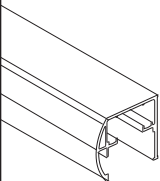
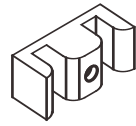

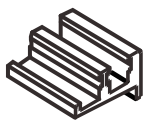

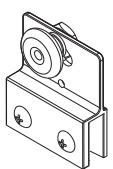
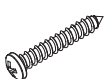
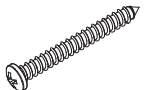

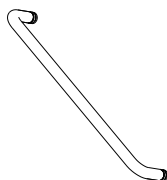


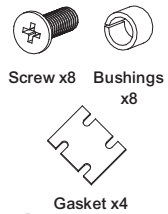


# PARTS LIST



 Keep small parts away from children

## PACKING LIST

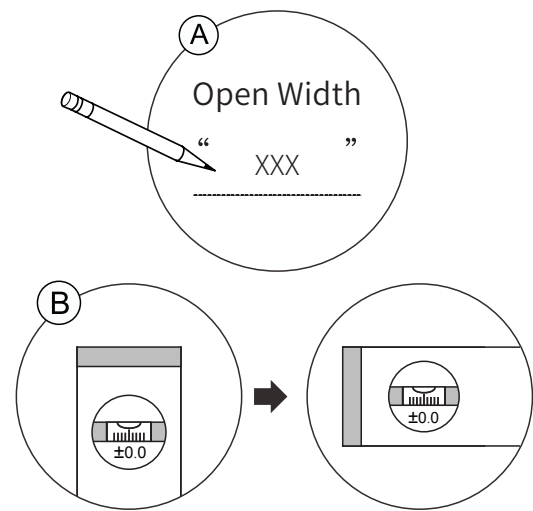
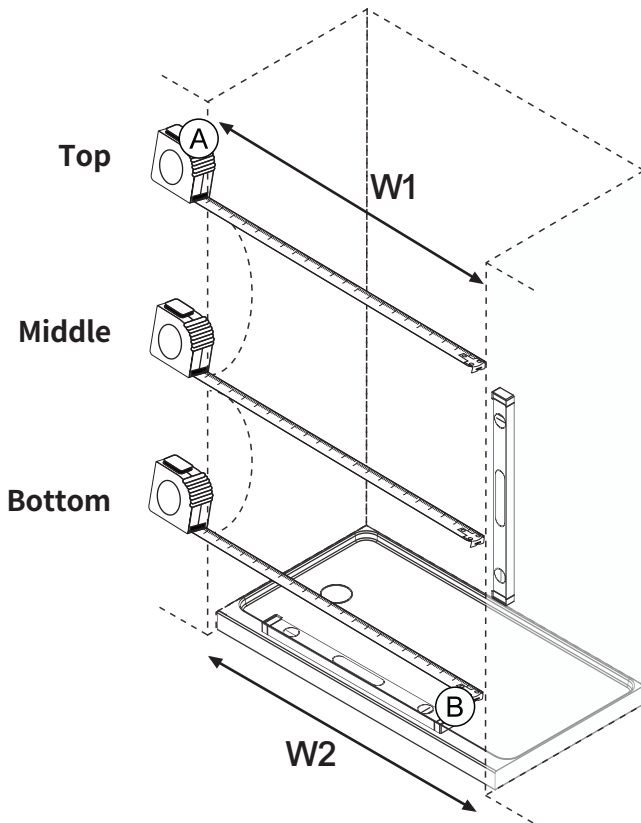
Bottom Rail	Door Panels	Wall Jambs	Top Rail	Glass Blocks	Block Caps (Gray)	Bottom Guides	Knob
 <b>1</b> 1PC	 <b>2</b> 2PCS	 <b>3</b> 2PCS	 <b>4</b> 1PC	 <b>5</b> 4PCS	 <b>6</b> 4PCS	 <b>7</b> 1PC	 <b>8</b> 1PC
 <b>9</b> 4 SETS	 <b>10</b> 4PCS	 <b>11</b> 4PCS	 <b>12</b> 4PCS	 <b>13</b> 1PC	 <b>14</b> 4PCS	 <b>15</b> 4PCS	 <b>16</b> Screw x8 Bushings x8 Gasket x4

# INSTALLATION STEPS

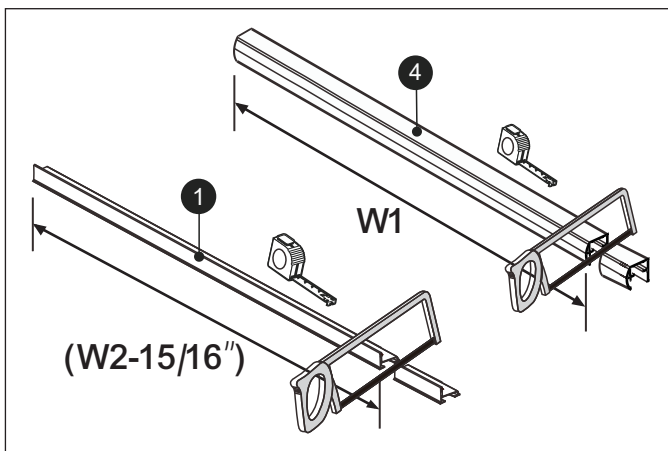
## STEP 1-Measurement

**NOTE:** The Top and Bottom Rails are shorter than the model size by design. They have been precut for your model width and are made to fit between the wall profiles, (not wall to wall). See the table below:

Model Size	Top Rail Length	Bottom Rail Length
48"	48"	47 1/16"
54"	54"	53 1/16"
60"	59"	58 1/16"



1. Check the threshold for level and the walls for plumb.
2. Measure the finished opening width at the top (at the model height) and bottom. Use these dimensions as "**W1**" (top dimensions) and "**W2**" (bottom dimensions).



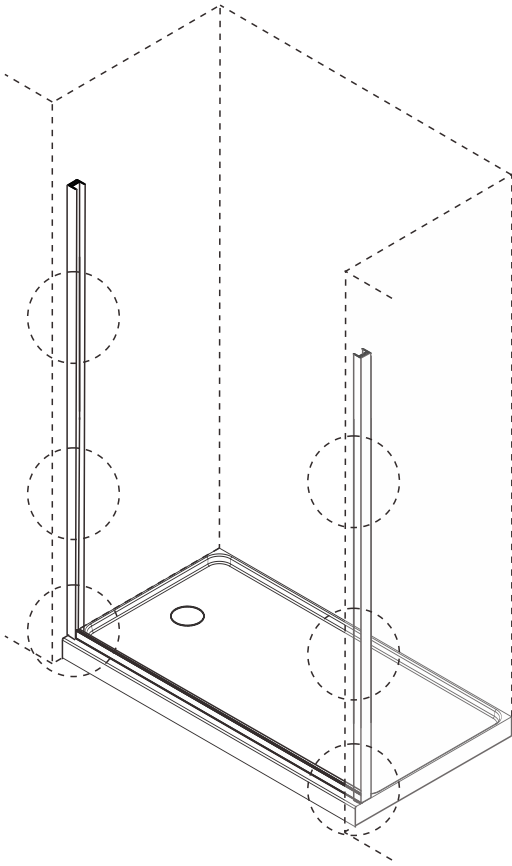
3. If width of your wall-to-wall opening is equal to the size of your shower model, it is unnecessary to cut the rails and you can continue to next step. If width of your wall-to-wall opening is less than the size of your shower model, you will need to cut the bottom rail and the top rail.

**IMPORTANT:**  
Do not cut the top and bottom rails the same length.

Model Size	Top Rail Length	Need to be Cut	Bottom Rail Length	Need to be Cut
48"	48"	=48"-W1(top dimensions)	47 1/16"	=47 1/16"-(W2-15/16")
54"	54"	=54"-W1(top dimensions)	53 1/16"	=53 1/16"-(W2-15/16")
60"	59"	=59"-W1(top dimensions)	58 1/16"	=58 1/16"-(W2-15/16")

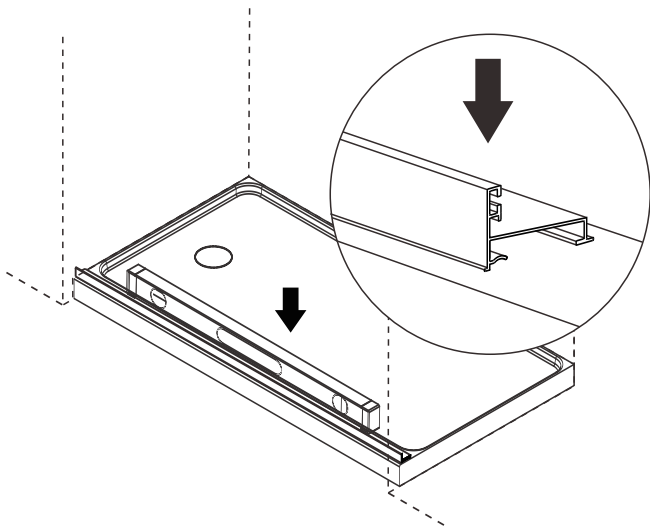
# INSTALLATION STEPS

## STEP 2-Install Bottom Rail / Wall Jamps / Glass Blocks



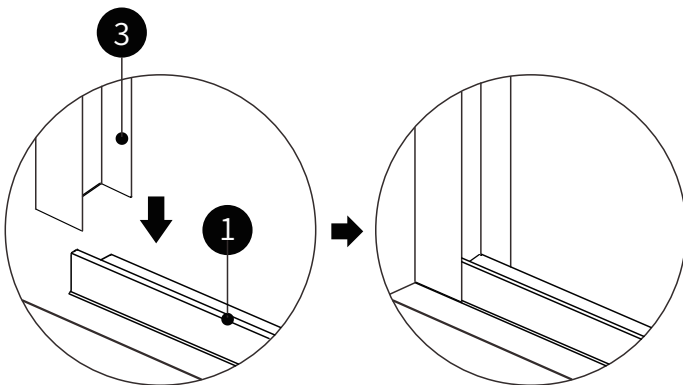
Please locate the following parts:

Part 1 (Bottom Rail)	x1
Part 3 (Wall Jamps)	x2
Part 12 (Wall Plug)	x4
Part 11 (Screw ST4x1 3/8" )	x4
Part 5 (Glass Blocks)	x4
Part 10 (Screw ST4x5/8" )	x4
Part 6 (Block Caps-Gray)	x4



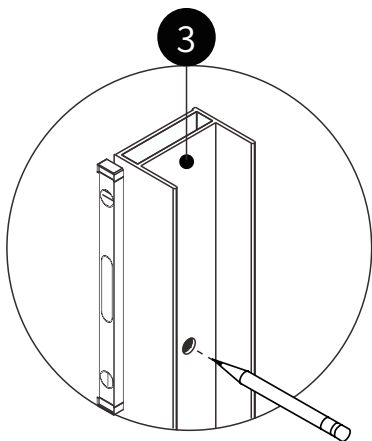
1. Place **bottom rail (#1)** on the threshold. Temporarily tape bottom rail in position.

**NOTE: Please make sure the bottom rail is level with the threshold.**

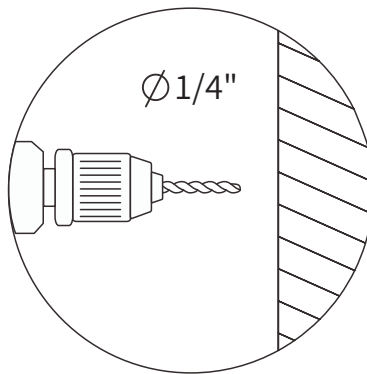


2. Place the **wall jamps (#3)** to the **bottom rail (#1)**.

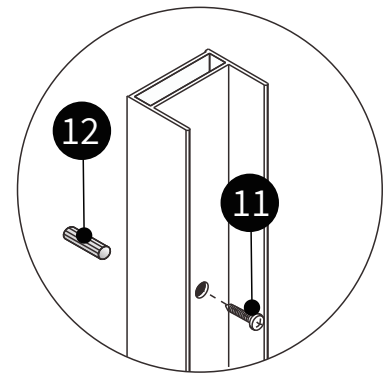
# INSTALLATION STEPS



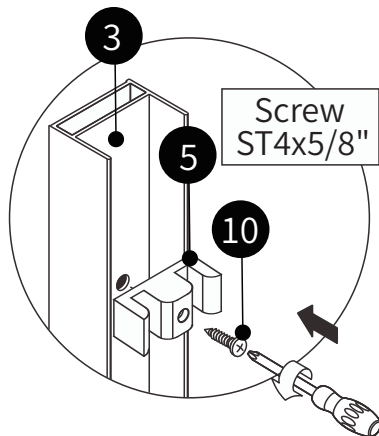
3. Make sure **wall jambs (#3)** is plumb. Mark the locations to the pre-drilled hole (the bigger one) of the wall jamb.



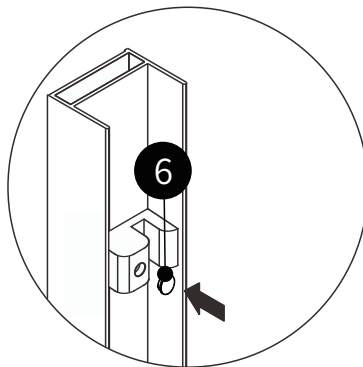
4. Use 1/4" drill bit for drilling needed holes.



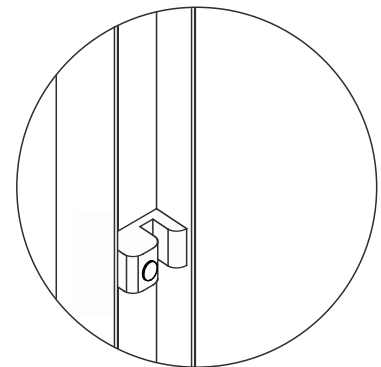
5. Mounting the wall jamb with the **wall plug (#12)** and **screw ST4x1 3/8" (#11)**.



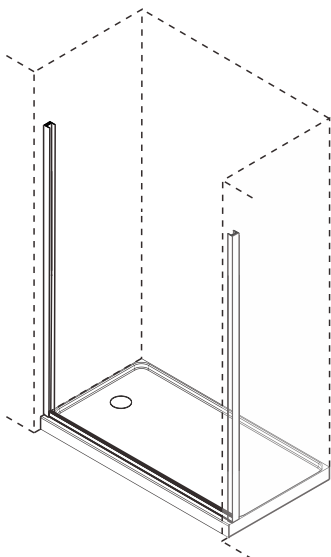
6. Install the **glass blocks (#5)** to the pre-drilled hole (the small one) of the wall jamb with the **screw ST4x5/8" (#10)**.



7. Cover the **gray glass block caps (#6)** to the **glass block (#5)**.



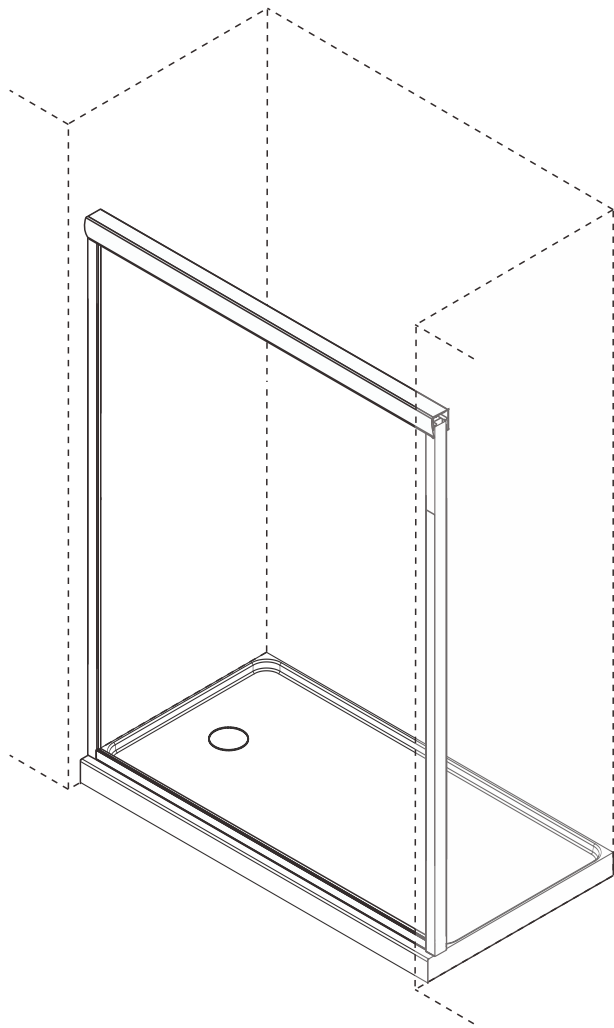
8. Repeat 6-7 steps on the other glass blocks.



9. Repeat 3-7 steps on each wall.

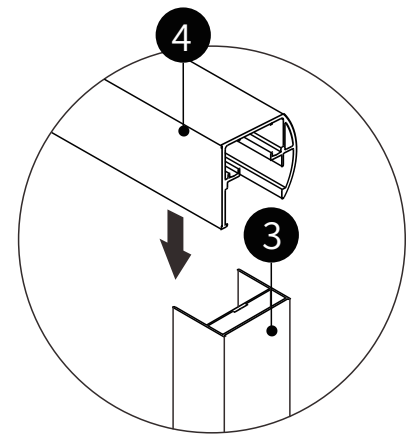
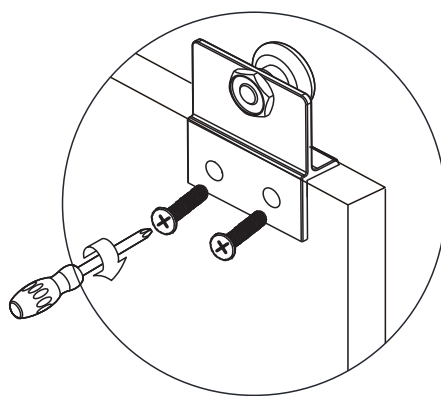
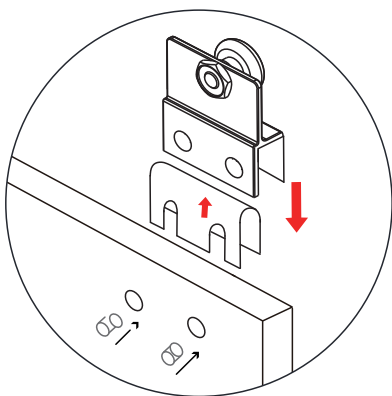
# INSTALLATION STEPS

## STEP 3-Install Top Rail / Glass with Roller Bracket



Please locate the following parts.

Part 2 (Door Panels)	x2
Part 9 (Roller Bracket Assembly)	x4
Part 16 (Roller Accessory Kit)	
Part 4 (Top Rail)	x1

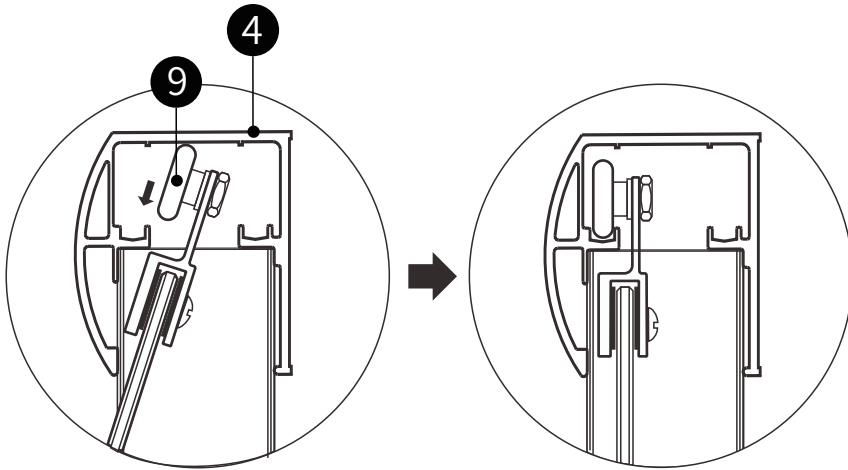


1. 1) Install **bushings (#16)** into each hole at the glass panel.  
2) Fold the **glass gasket (#16)** over the glass panel. 3) Place the **roller bracket (#9)** over the glass gasket and panel.

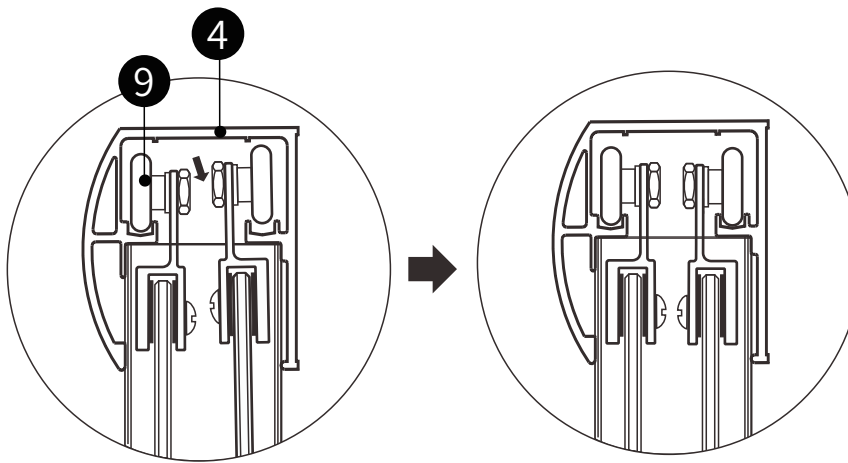
2. Install two **screw (#16)** into each hanger **roller bracket (#9)**.  
**NOTE: Do Not overtighten.**  
3. Repeat 1-2 steps on the other roller brackets assembly installation on glass.

4. Position the **top rail (#4)** over the tops of the wall jamb.  
**NOTE: Screw it after installing glass.**

# INSTALLATION STEPS

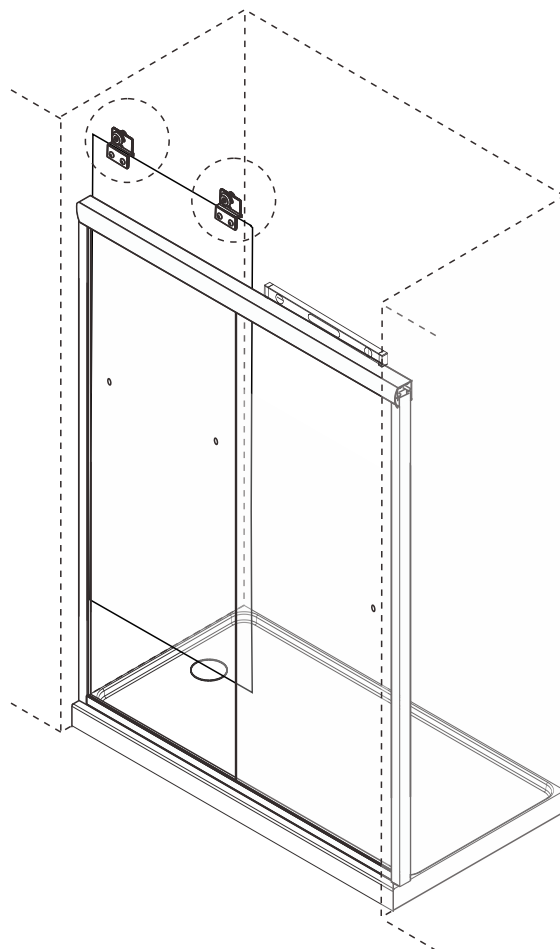


5. Lift the door into the top rail, then swing the bottom of door inside the bottom rail.



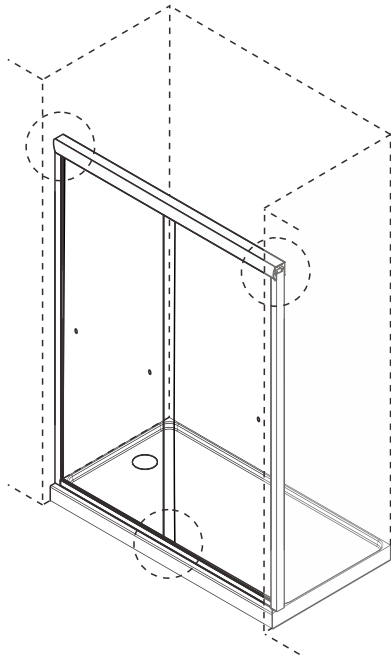
6. Install the other glass in the opposite direction as above.

**NOTE:** Be very careful when sliding the glass at this time as the bottom guides has not yet been installed.



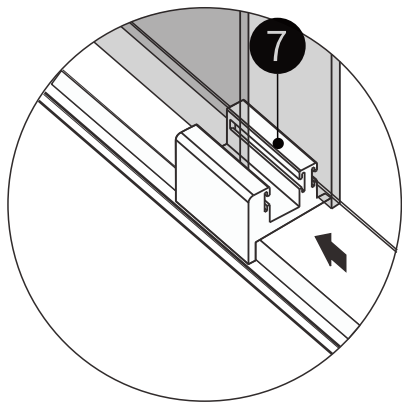
# INSTALLATION STEPS

## STEP 4-Install Bottom Guide / Screw The Top Rail

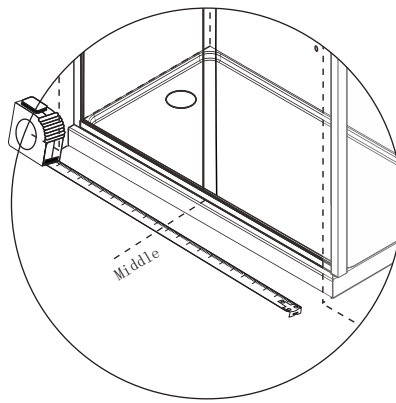


Please locate the following parts:

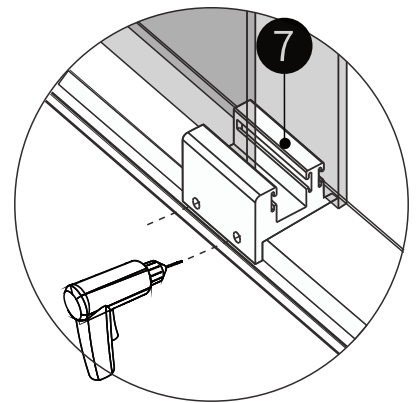
Part 7 (Bottom Guide)	x1
Part 15 (Screw ST4x5/16")	x4
Part 14 (Screw Caps-Transparent)	x4



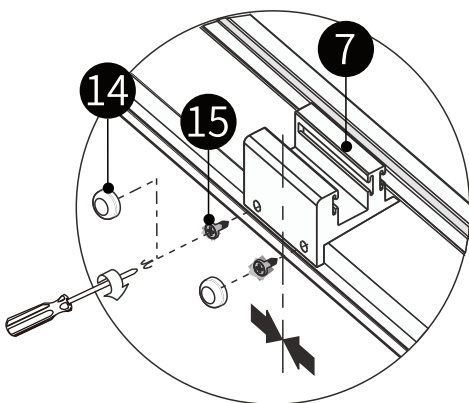
1. From inside shower, hold the **bottom guide (#7)** against the bottom rail and slide to the center of the bottom rail.



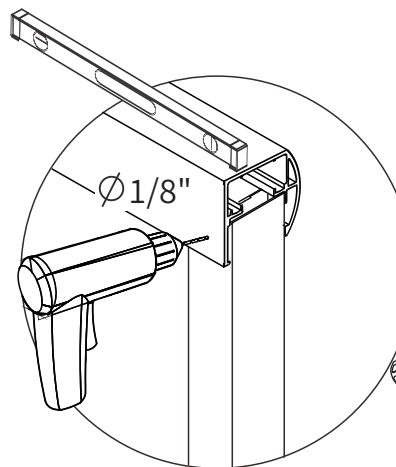
2. Measure to ensure that the **bottom guide (#7)** is in the middle of the bottom rail.



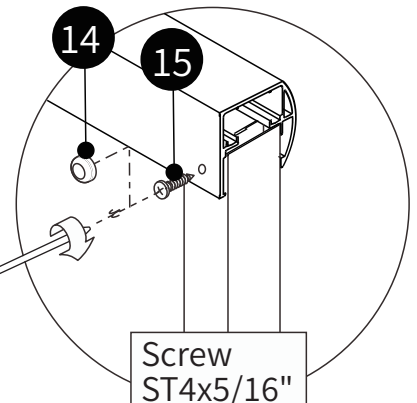
3. From inside shower, drill a **1/8"** pilot hole into the bottom rail through center divider.



4. Secure the bottom guide with **screw ST4x5/16" (#15)** and cover the **transparent screw caps (#14)**.



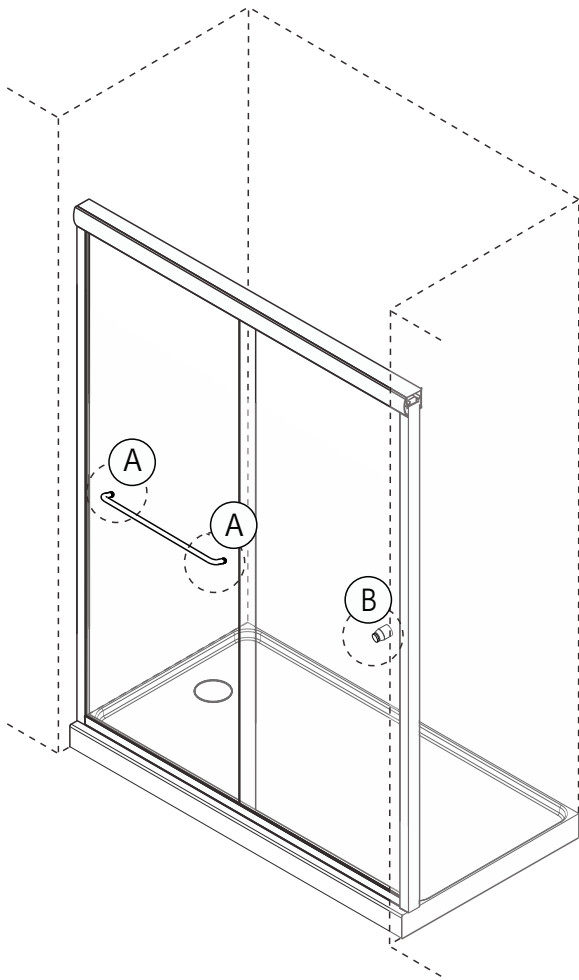
5. From inside shower, screw the top rail. **Please ensure that the top rail installing is level to avoid affecting the sliding.** Drill a **1/8"** pilot hole into the top rail through wall jambs.



6. Secure then with **screw ST4x5/16" (#15)**, and cover the **transparent screw caps (#14)**.

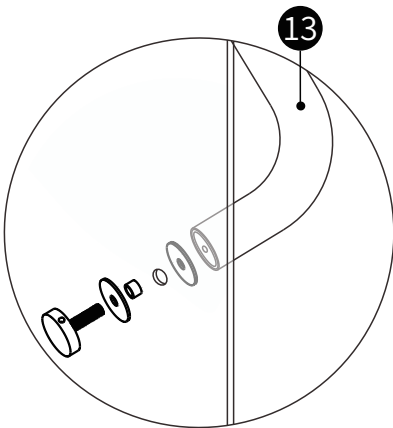
# INSTALLATION STEPS

## STEP 5-Install The Towel Bar / Knob

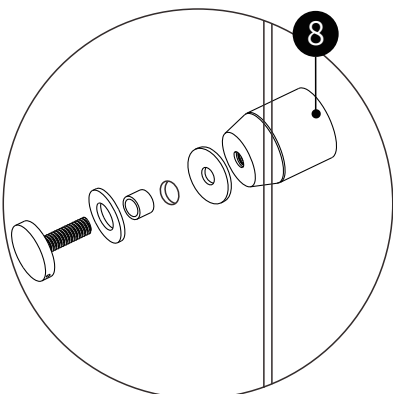


Please locate the following parts:

Part 13 (Towel Bar)	x1
Part 8 (Knob)	x1



1. From inside shower, 1) insert a rubber gasket to handle escutcheon. From outside shower, 2) insert a rubber gasket to handle posts and install assembled handle to bushings in pre-drilled holes of shower door. 3) Secure escutcheons manually.



2. Repeat the above steps to install the shower **knob (#8)**.

# INSTALLATION STEPS

**Allow 24 hours for the silicone to cure, before using the shower.**

Apply clear silicone caulking along the wall and threshold of the shower door inside and outside.

(make sure you ) wait 24hours before using the shower. Do not allow water to directly hit door.



**24** HOURS



**24** HOURS

