



















Assembly Instructions

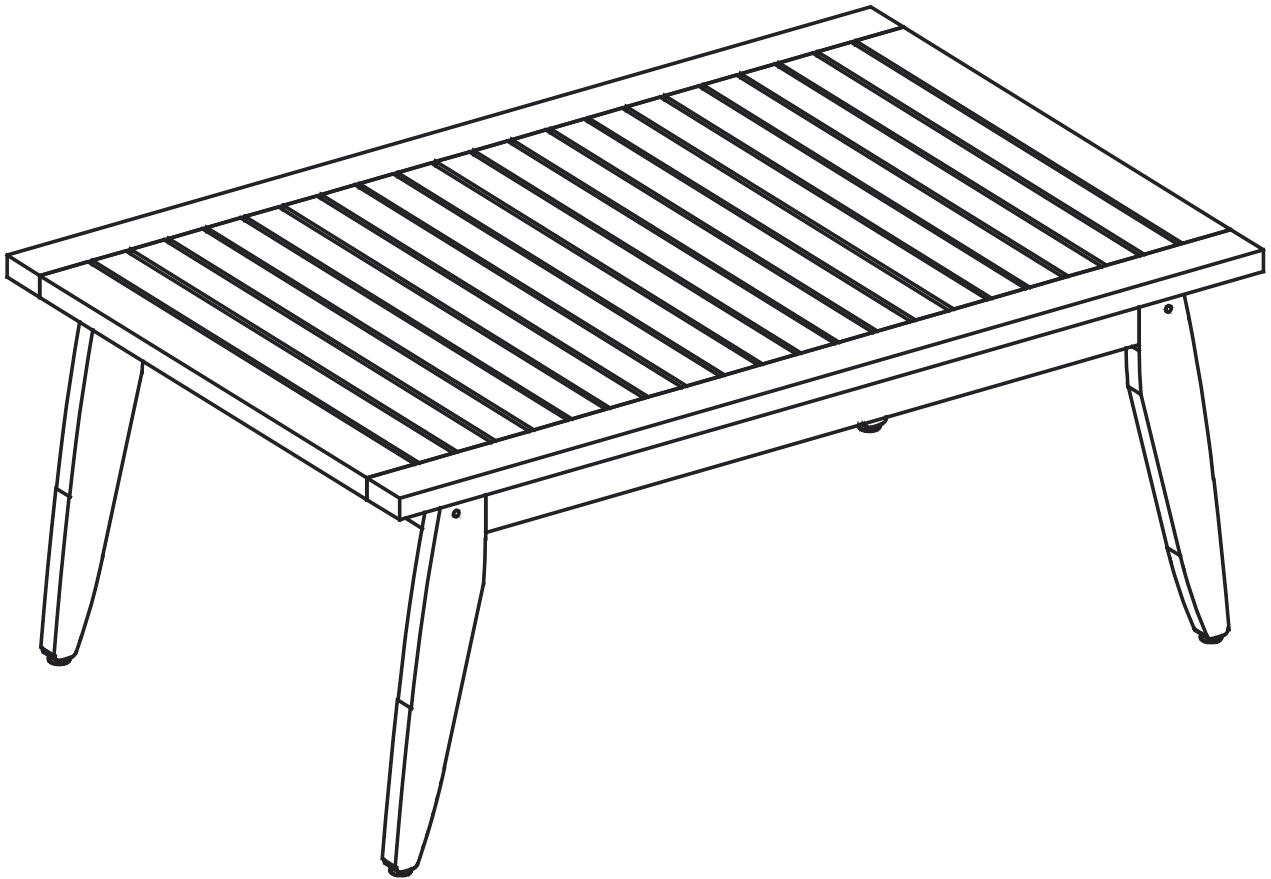
Caution : You must read these Assembly Instructions before you proceed

Care & Maintenance

-   ● Not for commercial use. For residential use only.
-   ● Do not put hot items directly on furniture surface.
-   ● Do not clean furniture with harsh cleansers or polish.
-   ● To obtain the longest lifespan of your outdoor products, minimizing exposure to direct sunlight is recommended.
-   ● Children should not climb or jump on the furniture.
-   ● Do not write on furniture without a padded barrier to protect the surface.
-   ● To obtain the longest lifespan of your outdoor products, avoid extended and lengthy exposure to rain, snow, and direct sunshine. Whenever possible cover the product and /or place under patio or awnings.
-   ● Stains may be removed with mild soap solution and damp cloth.
-   ● Dust and pick-up spills using a clean, non-colored, lint-free cloth.

Please look into the Table Top for hardware packs.

Table

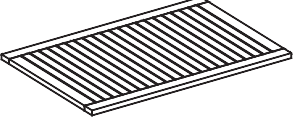
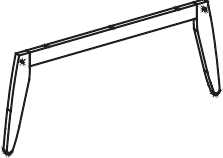
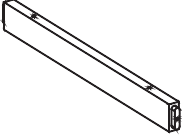


CAUTION : This Table is NOT a TOY.



Keep your child / children at bay in the process of assembly.

For turning the Table and to prevent damage to the Table, two adults may be needed to execute this action.

Part List

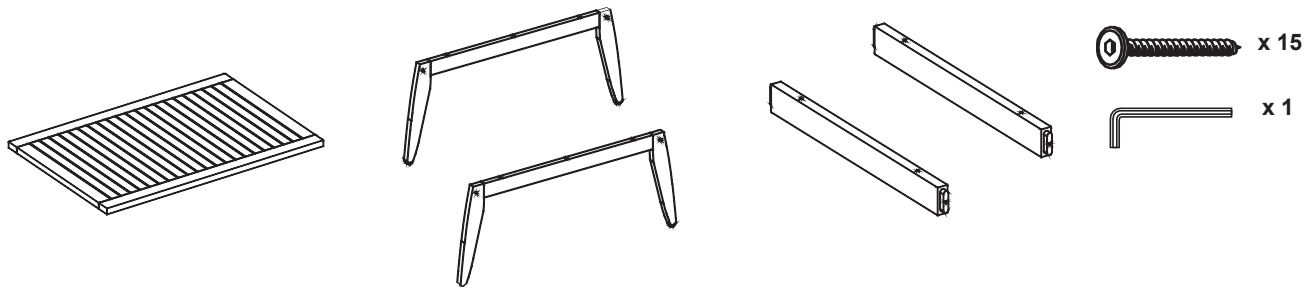
Label	Picture	Description	QTY
H		Table Top	1
I		Leg Panel	2
J		Support Bar	2

Hardware

Label	Picture	Description	QTY
④		Screws (M6x60mm)	15
⑤		Allen Wrench	1

Assembly Preparation

Before Beginning Assembly:



- Read instructions, cover to cover-



- Have 2 adults on hand for assembly-



- Do not assemble on flooring or carpet-



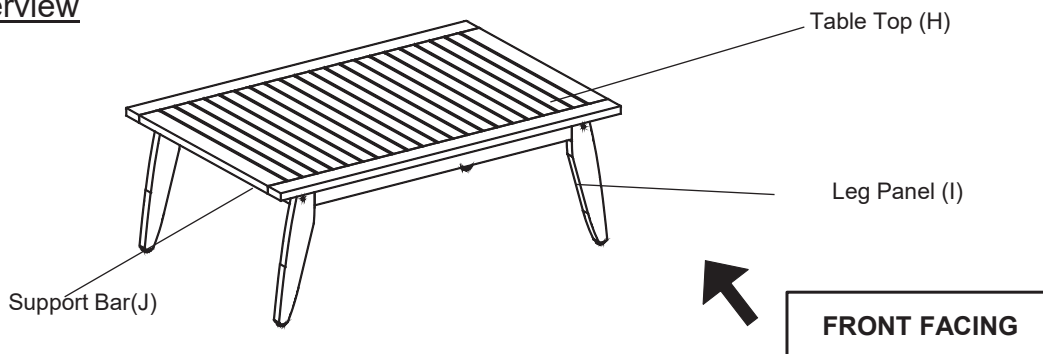
- Assemble on a clean non-marring surface (packing foam)-



- Save all packaging until finished-

Assembly Steps

Overview



This Table has multiple parts and may require up to 30 minutes to assemble.

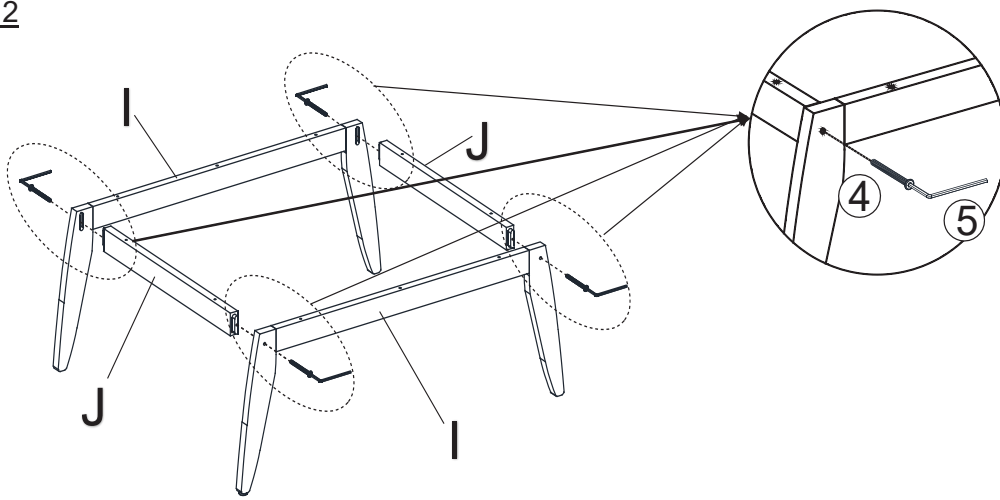
To give you an overview of the Table parts, the above picture is to help you put the various parts into perspective. Please read through the instructions herebelow to familiarise yourself with the parts and steps before assembly.

Step 1



Unpack and place all parts on a clean, non-marring surface.

Step 2

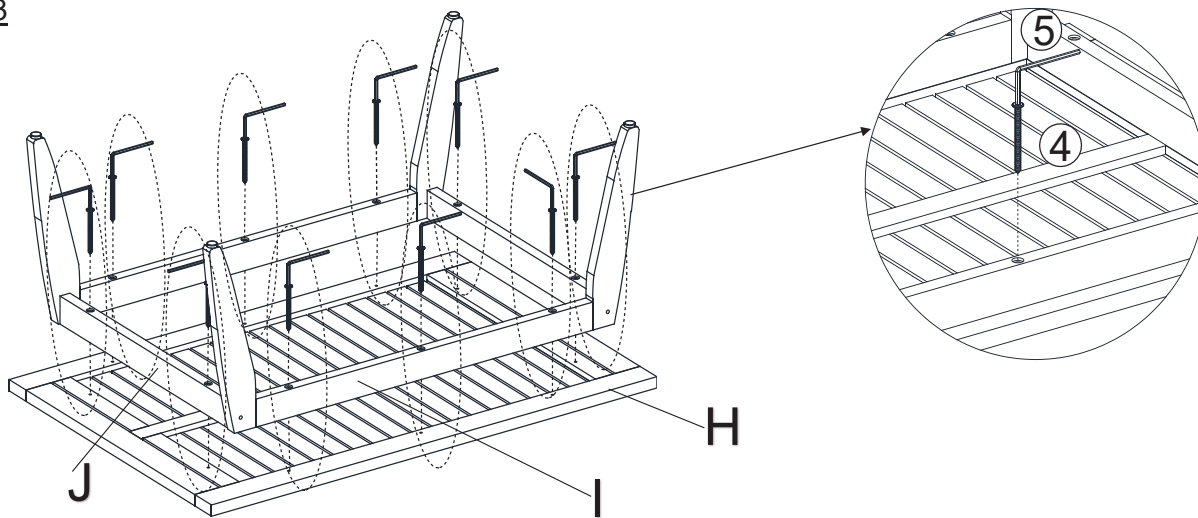


Place the Leg Panel (I) upright as shown in the picture above onto a clean, soft surface to avoid any scratches or damage to the product.

With assistance from your adult partner, attach the Leg Panel (I) to the Support Bar (J) using Screws (④), and the Allen Wrench (⑤) as shown above.

Do not fully tighten the Screws at this time.

Step 3



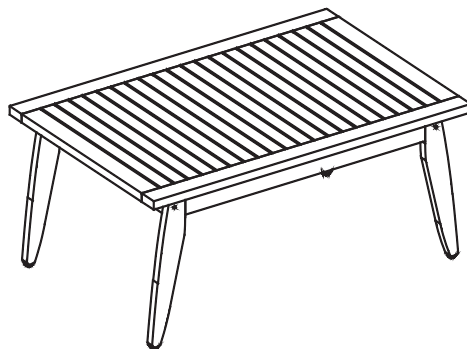
Place Table Top (H) facedown as shown above.

With the help from your adult partner, place pre-assembled on step 2 to Table Top (H).

Secure Support Bar (J) and Leg panel (I) to Table Top (H) by using Screws (④) with Allen Wrench (⑤) as shown above.

Do not fully tighten the Screws at this time.

Step 4



Turn the Table right side up

Place the Table on a flat, level surface to make sure it is balance

CAUTION: When tightening these screws, tighten sequentially.

DO NOT tighten any screw fully and then towards the next one. This would cause the frame to warp.

WARNING ! IF THE TABLE IS NOT STABLE , IT COULD LEAD TO DAMAGING THE PRODUCT.

Your Table is ready to be used.

Caution: This Table can only be used on a flat, level surface.

Questions & Answers about Proposition 65

- What is Proposition 65?

Proposition 65 requires businesses to provide warnings to Californians about significant exposures to chemicals that cause cancer, birth defects or other reproductive harm. These chemicals can be in the products that Californians purchase, in their homes or workplaces, or that are released into the environment. By requiring that this information be provided, Proposition 65 enables Californians to make informed decisions about their exposures to these chemicals.

Proposition 65 also prohibits California businesses from knowingly discharging significant amounts of listed chemicals into sources of drinking water.

Proposition 65 requires California to publish a list of chemicals known to cause cancer, birth defects or other reproductive harm. This list, which must be updated at least once a year, has grown to include approximately 900 chemicals since it was first published in 1987.

- What types of chemicals are on the Proposition 65 list?

The list contains a wide range of naturally occurring and synthetic chemicals that include additives or ingredients in pesticides, common household products, food, drugs, dyes, or solvents. Listed chemicals may also be used in manufacturing and construction, or they may be byproducts of chemical processes, such as motor vehicle exhaust.

- What does a warning mean?

If a warning is placed on a product label or posted or distributed at a workplace, a business, or in rental housing, the business issuing the warning is aware or believes that it is exposing individuals to one or more listed chemicals.

By law, a warning must be given for listed chemicals unless the exposure is low enough to pose no significant risk of cancer or is significantly below levels observed to cause birth defects or other reproductive harm.

- Where can I get more information on Proposition 65?

If you have specific questions on the administration or implementation of Proposition 65, you can contact OEHHA's Proposition 65 program at P65.Questions@oehha.ca.gov, or by phone at (916) 445-6900.