
ELECTRIC STOVE HEATER

MODEL # 95181/ BEF-22FS02

OWNERS MANUAL



NO VENTING REQUIRED
Power: 120V AC, 60 Hz
Maximum Heat: 1,500 WATTS



Only use this heater as described in this manual. Any other use is not recommended by the manufacturer, and may cause fire, electric shock, or other personal injury.



WARNING! Read and understand this entire owner's manual, including all safety information, before plugging in or using this product. Failure to do so could result in fire, electric shock, serious personal injury, or death.



WARNING! INDOOR use only! NEVER use this heater outdoors!

SAVE THESE INSTRUCTIONS!



CAUTION! Keep this owner's manual for future reference. If you sell or give this product away, make sure this manual accompanies this product.

IMPORTANT SAFETY INFORMATION!



WARNING



- **ALWAYS** keep **electric cords, home furnishings, drapes, clothing, papers, or other combustibles** at least **3 feet (0.9m)** away from the front of this heater, and away from the bottom, sides, and rear of this heater.
- **ALWAYS** attach the feet before using! **NEVER** plug in or operate this unit if the feet are not securely attached!
- **DO NOT** place the heater near a bed because objects such as pillows or blankets can fall off the bed and be ignited by the heater.
- **DO NOT COVER** this heater or **block** the air vents. Doing so could cause a **fire**.
- **AVOID fire or electric shock! NEVER** insert or allow any foreign objects to enter the ventilation or exhaust openings of this heater.
- **Prevent Fire!** Keep all **flammable liquids**, like gasoline or paint, away from this heater. This heater produces **arcing sparks** that **could ignite** flammable liquids.
- **DO NOT cover** this heater in any manner. Doing so could block the air flow and cause the unit to **overheat**, or could **ignite** the material covering the heater.
- **NEVER** run the **power cord** under carpet, rugs, runners, or any other covering. Doing so could cause the cord or materials covering the cord to overheat.
- **AVOID FIRE!** Regularly inspect all air vents to make sure they are free from dust, lint, or other blockage. **Unplug the unit** and clean with a **vacuum ONLY**. **DO NOT** rinse or get wet.



WARNING



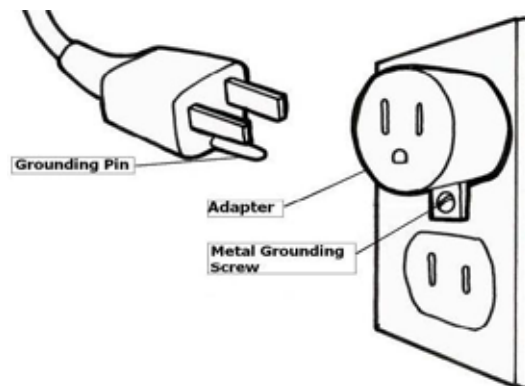
- **For residential use only! NOT for commercial use! NEVER** use this fireplace for other than its intended purpose.
- Use **extreme caution** if using this heater **near children**, or where children may be present.
- **NEVER** leave this heater unattended. **ALWAYS** unplug this heater when not in use.
- This heater is **hot** when **in use**. **AVOID INJURY! DO NOT TOUCH hot surfaces, or attempt to move this heater while it is hot.**
- **ALWAYS** turn this heater off before unplugging it from the outlet.
- **AVOID INJURY!** Keep the cord from crossing traffic areas to avoid tripping.
- **NEVER modify this fireplace.** Doing so could result in personal injury or property damage. Modification of this fireplace **completely voids all warranties**.
- **Discontinue use** if this fireplace **malfunctions** or is **dropped or damaged in any manner**.



WARNING



- **Risk of electric shock! DO NOT OPEN!** No user-serviceable parts inside!
- **ALWAYS disconnect** this unit from the **power supply before** performing any assembly or cleaning, or before relocating the electric fireplace.
- **ALWAYS** store this heater in a dry location. **NEVER** use the fireplace if it has become wet.
- **NEVER** use this heater in **bathrooms, laundry rooms**, or any other location where the heater could fall into a **bathtub or pool, become damp or come in contact with water**.
- **NEVER** operate this heater if the **power cord or plug** has become **damaged**, or if the **grounding pin** is **damaged or missing**.
- Place the heater near a wall outlet so an extension cord is not needed. If an extension cord is needed, the **gauge** of the cord **must be at least 16AWG**, and the **rating must be at least 1500 Watts**. **NEVER** use a **smaller gauge** cord with a **lower rating**. Doing so may result in **fire or electric shock**.
- **ALWAYS** plug this unit directly into a wall outlet. **NEVER** plug into a surge protector or multi-outlet tap/adapter.
- **ONLY** use this heater on a **110~120 Volt 15 Amp grounded circuit**. **NEVER overload the circuit**. If this heater trips the circuit breaker, unplug all other appliances on the same circuit before the next use. Avoid plugging other appliances into the same circuit as this heater.
- **NEVER** plug this heater into an outlet that is **old, cracked**, or has any **loose wires or connections**. Plugging this heater into a faulty outlet could result in **electric arcing** within the outlet and cause the **outlet to overheat or catch fire**.
- **ALWAYS** check your heater cord and plug connections with **each use!**
 - i) **MAKE SURE** the plug fits tight in the outlet! Faulty wall outlet connections or loose plugs can cause the outlet to overheat.
 - ii) **Heaters draw more current** than small appliances. **Overheating** may occur even if it has not occurred with the use of other appliances.
 - iii) During use **check frequently** to see if the **plug outlet or faceplate is HOT!**
 - iv) If the outlet or faceplate is **HOT, discontinue use immediately** and have a qualified electrician inspect and/or replace the faulty outlets.
- The cord supplied with the heater has a plug with two blades (live and neutral) and one round pin (ground). If a 3-slot receptacle is not available, an adapter **MUST** be used. The adapter **MUST** be **properly grounded** to the outlet box (see figure at right).



PREPARATION

- Remove all parts and hardware from the carton and place them on a clean, soft, and dry surface.



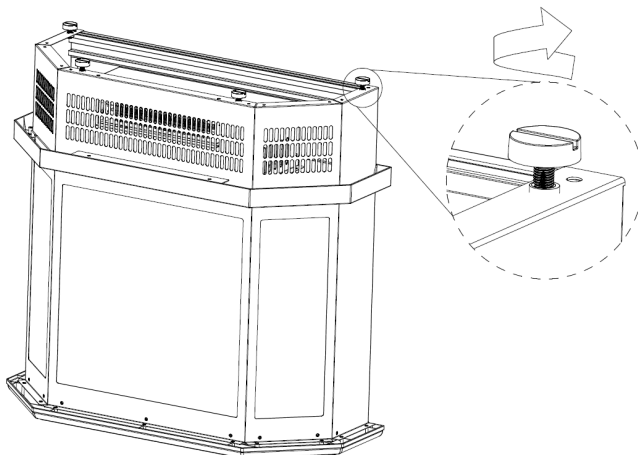
Make sure **all parts** are **dry**, and the **power cord** and **plug** are not damaged. See IMPORTANT SAFETY INFORMATION on pages 2 and 3.

OPERATION

NOTICE

When the heat function is used for the first time, a slight odor may be present. This is normal and should not occur again unless the heater is not used for an extended period of time.

BUTTON	ACTION / FUNCTION	INDICATION / RESULT
ON/OFF	<ol style="list-style-type: none"> 1. Press to turn on flame effect and enable heater. Heater switches will not work unless this switch is turned on. 2. Press again to shut off the power to all functions. 	<ol style="list-style-type: none"> 1. Flame effect turn on. The heater is now enabled. 2. Power lights, heaters, and flame effect turn off.
LOW HEAT	<ol style="list-style-type: none"> 1. With power turned on, press to turn on low heat (750W). Low heat must be on to use high heat. 2. Press again to turn off low heat. 	<ol style="list-style-type: none"> 1. Heater and fan turn on low (750W). 2. Low heat and fan turn off. Flame stays on.
HIGH HEAT	<ol style="list-style-type: none"> 1. With power and low heat turned on, press to turn on high heat (1500W). Low heat must be on to use high heat. 2. Press again to turn off high heat. 	<ol style="list-style-type: none"> 1. Heater and fan turn on high (1500W). 2. High heat and fan turn off. Low heat and flame stay on.



Switch Location

Note: Feet located on bottom are adjustable.
Adjust to the height that you want before using.

Temperature Limiting Control

This heater is equipped with a Temperature Limiting Control. Should the heater reach an unsafe temperature, the heater will automatically turn OFF. To reset:

1. Unplug the power cord from the outlet.
2. Turn the ON/OFF switch on the CONTROL PANEL to OFF.
3. Wait 5 minutes.
4. Inspect the fireplace to make sure no vents are blocked, or clogged with dust or lint. If they are, use a vacuum to clean the vent areas.
5. With the POWER switch in the OFF position, plug the power cord back into the outlet.
6. If the problem continues, have your outlet and wiring inspected by a professional.

CARE AND MAINTENANCE



ALWAYS turn the heater **OFF** and **unplug the power cord from the outlet** before cleaning, changing the light bulb, or moving this stove. Failure to do so could result in **electric shock, fire, or personal injury**.



NEVER immerse in water or **spray with water**. Doing so could result in **electric shock, fire, or personal injury**.

Cleaning

Metal:

- Buff using a soft cloth, slightly dampened with a citrus oil-based product.
- **DO NOT** use brass polish or household cleaners as these will damage the metal.

Glass:

- Use glass cleaner and dry thoroughly with a paper towel or lint-free cloth.
- **NEVER** use abrasive cleansers or any cleaner that could scratch the surface.

Plastic:

- Wipe with a slightly damp cloth and a mild solution of dish soap and warm water.
- **NEVER** use abrasive cleansers or any cleaner that could scratch the surface.

Vents:

- Use a vacuum or duster to remove dust and dirt from the heater and vent areas.
- Clean the exterior of the stove with a slightly damp cloth or duster.

Maintenance



Risk of electric shock! DO NOT OPEN the main panels! No user-serviceable parts inside!

Electrical and Moving Parts:

- The fan and motors are lubricated at the factory and will not require more oil.
- Except for the light bulb, all electrical parts and components are integrated into the heater and are not serviceable by the consumer.

Storage:

- Store heater in a clean dry place when not in use.

