



# **3-TIER LADDER SHOES RACK**

# SAFETY & WARNINGS

## Warning

- The product contains small parts and sharp objects, please be careful during assembly and keep children away.
- Keep plastic bags away from children in case of suffocation.
- Please make sure to keep the item away from extreme conditions (such as high humidity, high temperatures, intense sunlight, excess water, etc.)
- Do not place any sharp objects or corrosive materials on the product to avoid any damage. In cases of placing sharp footwear like ice skates, please use blade guards.
- Please do not force large size shoes into the product in order to avoid deformation.
- Please do not place overweight objects, do not stand on the product and keep children away from jumping on the product.

## Important

- Do not tighten bolts / screws completely until all bolts / screws are lined up and inserted into holes.
- Do not over tighten screws and bolts to avoid stripping.
- Please use hand tools to assemble this product. Do not use power tools.
- Do not sit on the shoe rack. Do not drop heavy items on the shoe rack.
- Do not move the shoe rack while loaded.
- Do not move the shoe rack by lifting the poles, use the handles at the top of each side frame.

# COMPONENTS



① Side Plate x 2PCS



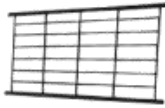
② Pipe A x 1PC



③ Screw x 14PCS



④ Mesh Plate (Big)  
x 1PC



⑤ Mesh Plate (Mid)  
x 1PC

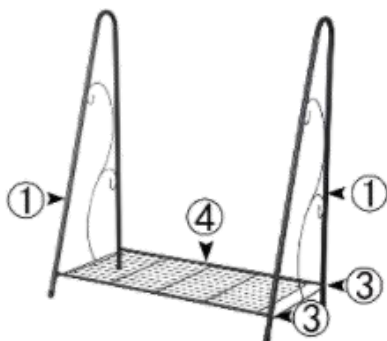


⑥ Mesh Plate (Small)  
x 1PC

# INSTALLATION

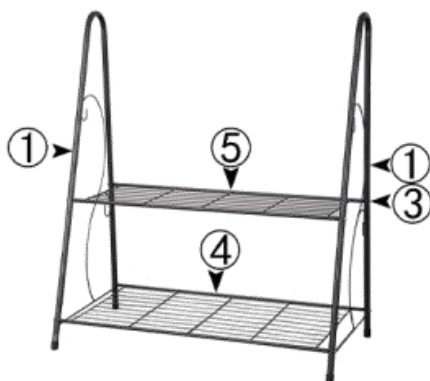
## Step 1

Connect the big mesh plate (④) to the bottom shelf of two side plates (①) and affix with screws (③).



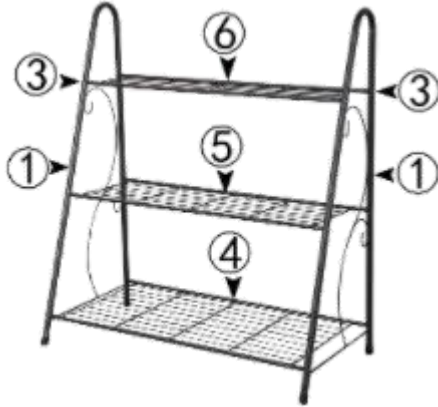
## Step 2

Connect the mid mesh plate (⑤) to the middle shelf of two side plates (①) and affix with screws (③).



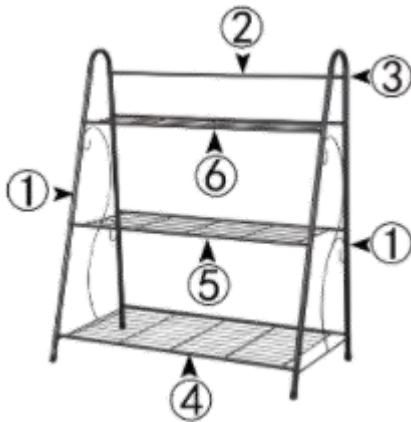
**Step 3**

Connect the small mesh plate (⑥) to the top shelf of two side plates (①) and affix with screws (③).



**Step 4**

Install pipe A (②) above the top shelf using screws (③).



## CLEANING & CARE

- Clean the product with a dry soft cloth. Avoid cleaning the product with a hard item or chemically unsuitable product.
- Please make sure to keep your items and shoes clean before placing them.
- In case of using a mildly wet cloth, please make sure to dry the surfaces immediately after cleaning.
- When disassembling the item, please make sure to use the same tools required for assembly.
- If something is stuck on the surfaces, do not use abrasive tools to remove them, as these could leave scratches or marks. Please use lint-free cloths or sponges instead.
- This product should not be discarded with household waste. Take to your local authority waste disposal centre.