

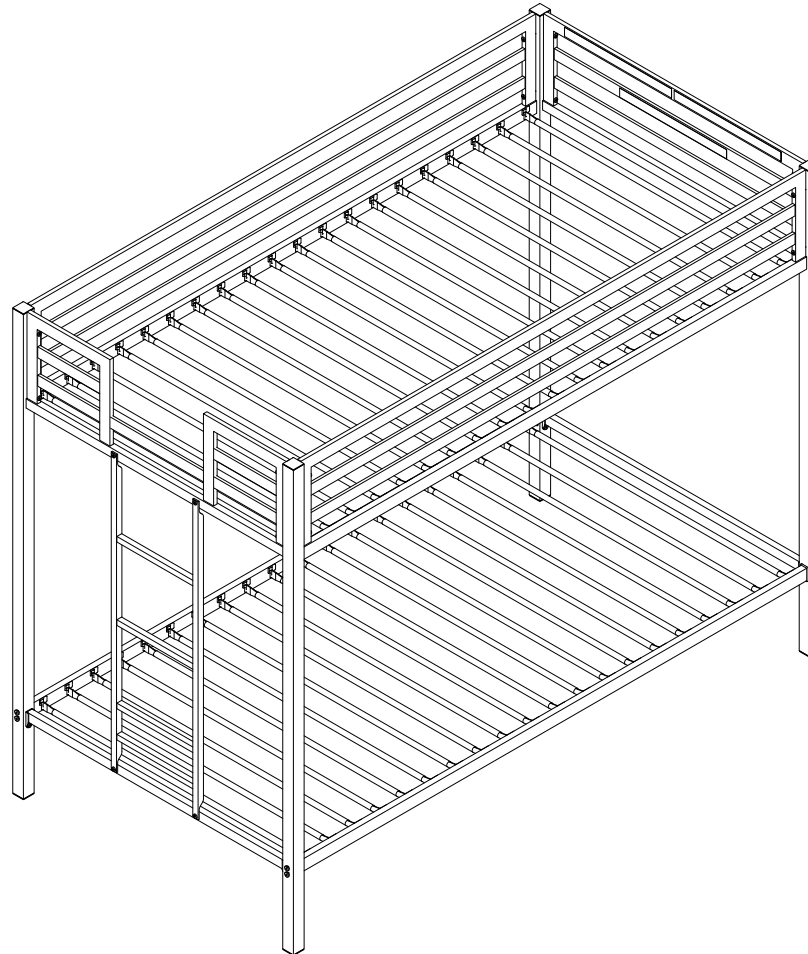
Metal Bunk Bed

Twin/Twin

Weight Limit:

Upper Bed: 200 LBS / 91 KG

Lower Bed: 250 LBS / 113 KG

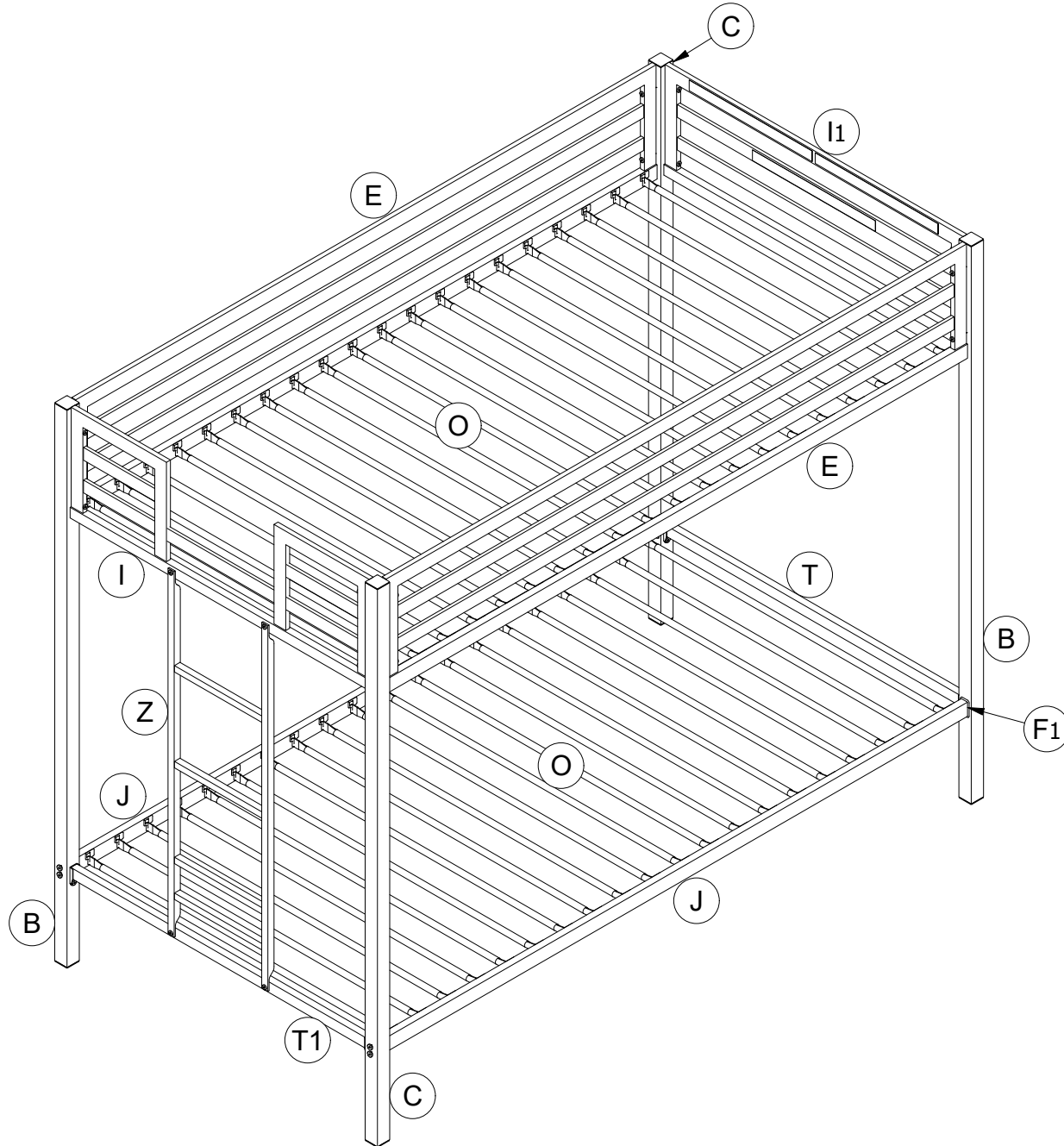


WARNING

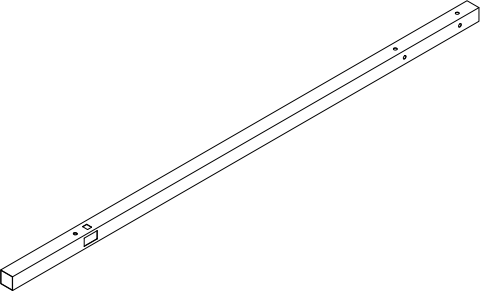
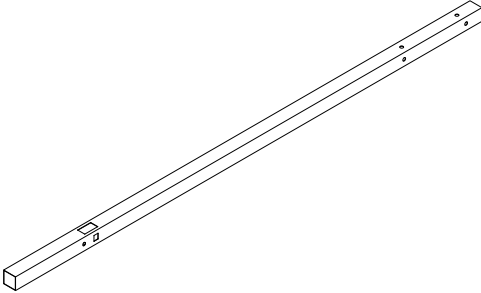
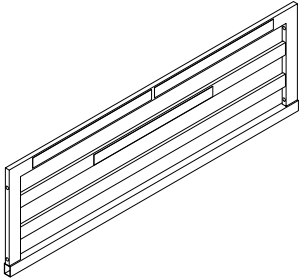
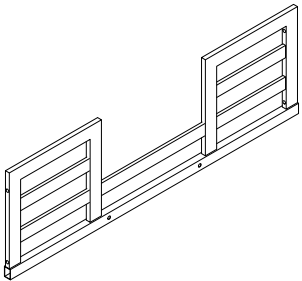
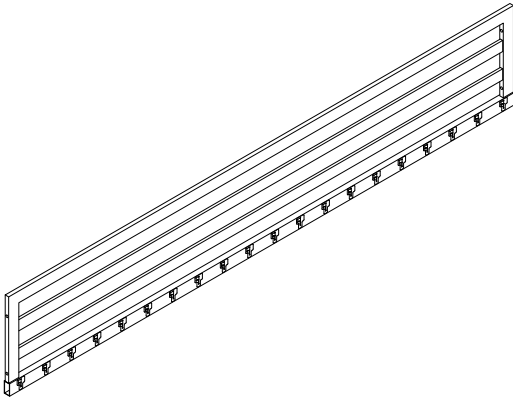
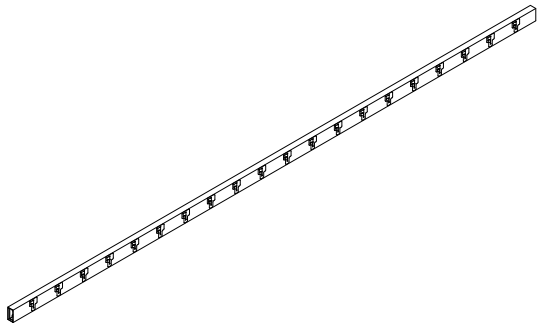
Bunk bed: Twin/Twin

- **STRANGULATION HAZARD** - Never attach or hang items to any part of the bunk bed that are not designed for use with the bed; for example, but not limited to, hooks, belts and jump ropes.
- Follow the information on the warnings appearing on the upper bunk end structure and on the carton. Do not remove warning label from bed.
- The mattress platform is designed to support a mattress without the need for a posture board or box spring.
- Always use the recommended size mattresses or mattress supports, or both, to help prevent the likelihood of entrapment or falls.
- Use only mattresses which are **74" - 75"** long and **37½" - 38½"** wide on upper and lower bed. Ensure thickness of mattress does not exceed **6"**. Surface of mattress must be at least **5" (127 mm)** below the upper edge of guardrails. For your comfort, we suggest a minimum mattress thickness of **4"**.
- Do not allow children under **6** years of age to use the upper bunk.
- Always use guardrails on both long sides of the upper bunk. If the bunk bed will be placed next to the wall, the guardrail that runs the full length of the bed should be placed against the wall to prevent entrapment between the bed and wall (applicable for bunk beds with full length guardrails on one side).
- Periodically check and ensure that the guardrail, ladder, and other components are in their proper position, free from damage, and that all connectors are tight.
- Do not allow horseplay on or under the bed and prohibit jumping on the bed.
- Do not use substitute parts. Contact the manufacturer or dealer for replacement parts.
- Use of a night light may provide added safety precaution for a child using the upper bunk.
- The use of water or sleep flotation mattresses is prohibited.
- Always use the ladder for entering and leaving the upper bunk.
- Prohibit more than one person on upper bunk.
- Keep these instructions for future reference.

PARTS LIST

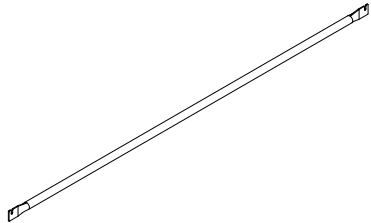
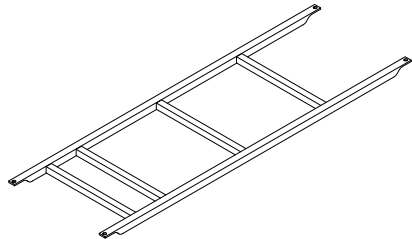
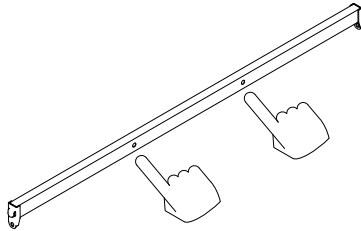
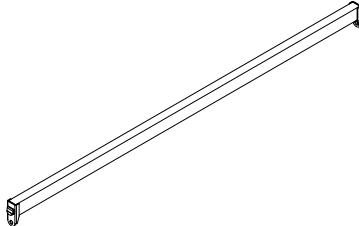



PARTS LIST

<p>(B)</p> 	<p>(C)</p> 	<p>(I1)</p> 
<p>Post 2 PCS</p>	<p>Post 2 PCS</p>	<p>End Guard Rail 1 PC</p>
<p>(I)</p> 	<p>(E)</p> 	<p>(J)</p> 
<p>End Guard Rail 1 PC</p>	<p>Guard Rail 2 PCS</p>	<p>Side Rail 2 PCS</p>

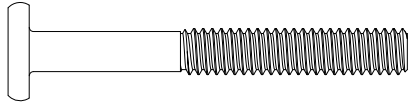
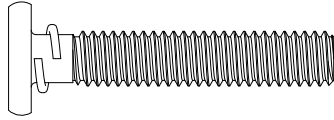
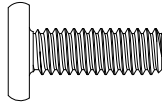
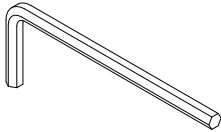
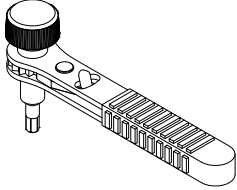
⚠ Before throwing any packaging, please verify all contents and make sure you have received all the parts listed above!

PARTS LIST

 <p>A long, thin, rectangular slat with a slightly tapered end.</p>	 <p>A ladder-like structure consisting of two parallel side rails connected by three horizontal rungs.</p>	 <p>A long, thin, rectangular rail with two small circular holes near the center. Two hands are shown pointing to the holes.</p>	 <p>A long, thin, rectangular rail with a slightly tapered end.</p>
<p>Slat 40 PCS</p>	<p>Ladder 1 PC</p>	<p>Lower Side Rail 1 PC</p>	<p>Lower Side Rail 1 PC</p>
 <p>A small, rectangular plastic housing with a slightly raised top edge.</p>			
<p>Plastic housing 4 PCS</p>			

⚠ Before throwing any packaging, please verify all contents and make sure you have received all the parts listed above!

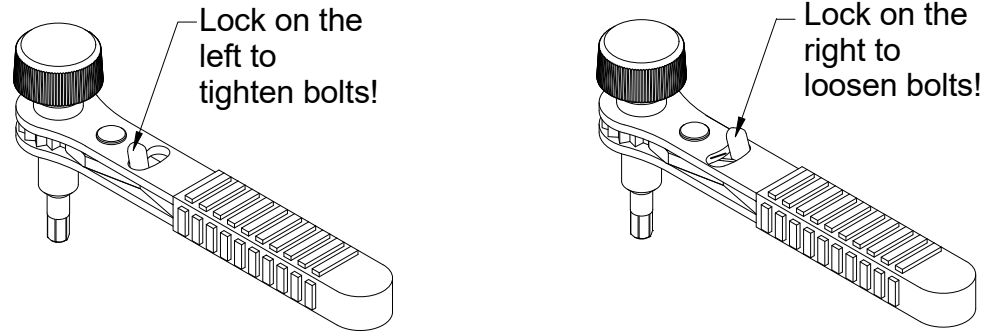
HARDWARE LIST

<p>1</p> 	<p>2</p> 	<p>3</p> 
<p>1/4" X 2" 16 PCS</p>	<p>5/16" X 1 9/16" 8 PCS</p>	<p>1/4" X 11/16" 8 PCS</p>
<p>4</p> 	<p>5</p> 	
<p>4mm Allen Key 1 PC</p>	<p>4mm Ratchet Wrench 1 PC</p>	

- ⚠ Please do not completely tighten all the hardware, until the entire assembly is complete, unless otherwise indicated in the step-by-step instructions.
- ⚠ The screw(s), bolt(s) to be used at each step are shown in actual size in the lower right corner of the page.

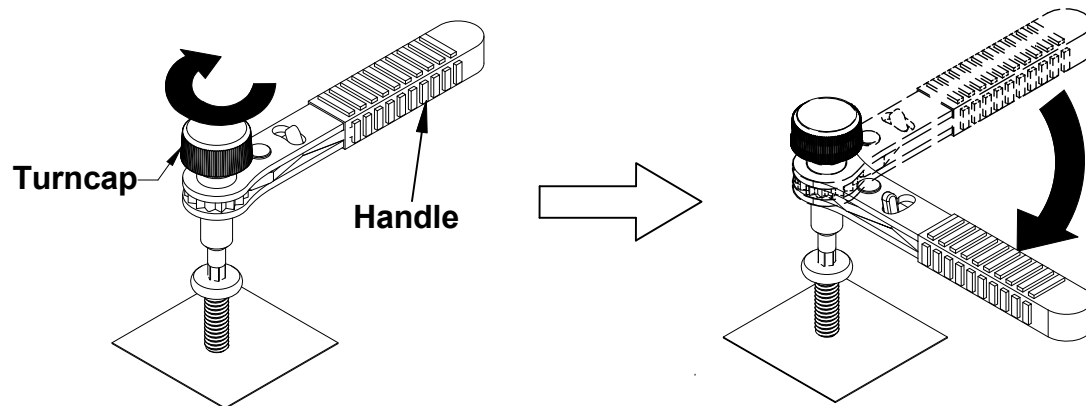
How To Use The Ratchet

1. Before assembling the furniture, please adjust the lock tool as needed.



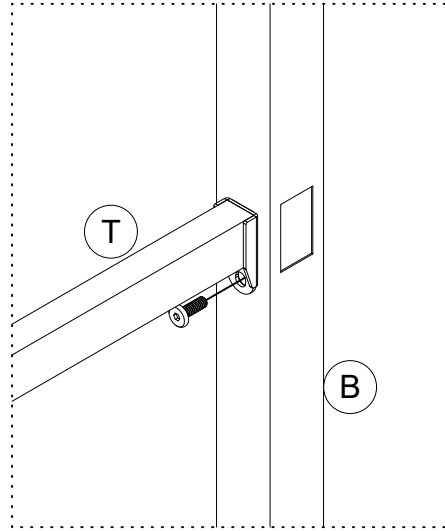
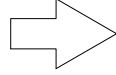
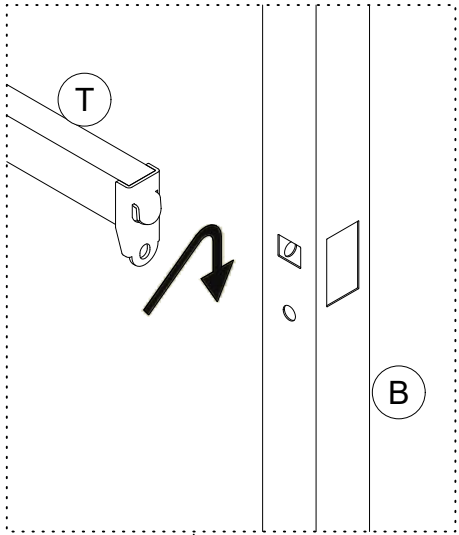
2. Tighten or loosen the bolts

- **Tighten bolts** : Locate the turncap (picture) and rotate it clockwise to screw the bolt quickly, until it cannot be rotated any more. Then start rotating with the handle clockwise to finalize tightening the bolts.
- **Loosen bolts** : Rotate the handle counterclockwise to loosen the bolt. Then, to completely remove the bolts, continue rotating with the turncap in the same direction.



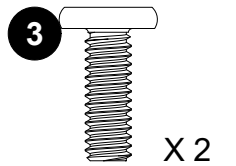
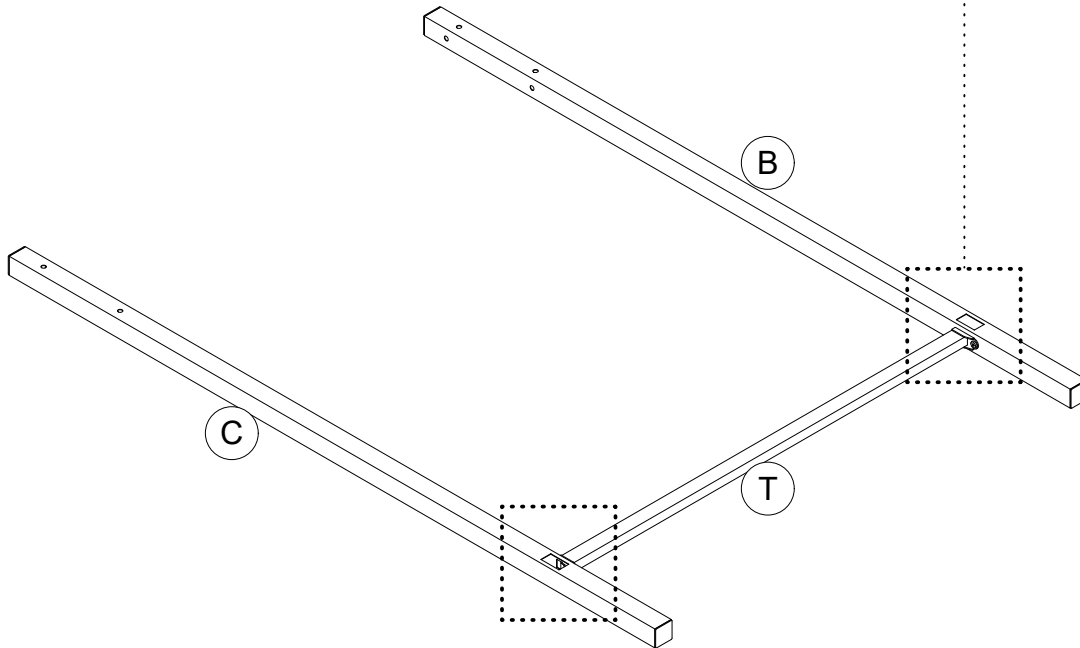
Helpful Hints

- Before assembling the furniture, please read the instructions on how to use ratchet, it will help you to assemble the furniture quickly.
- Please don't throw away the ratchet in case you may need to use in future.



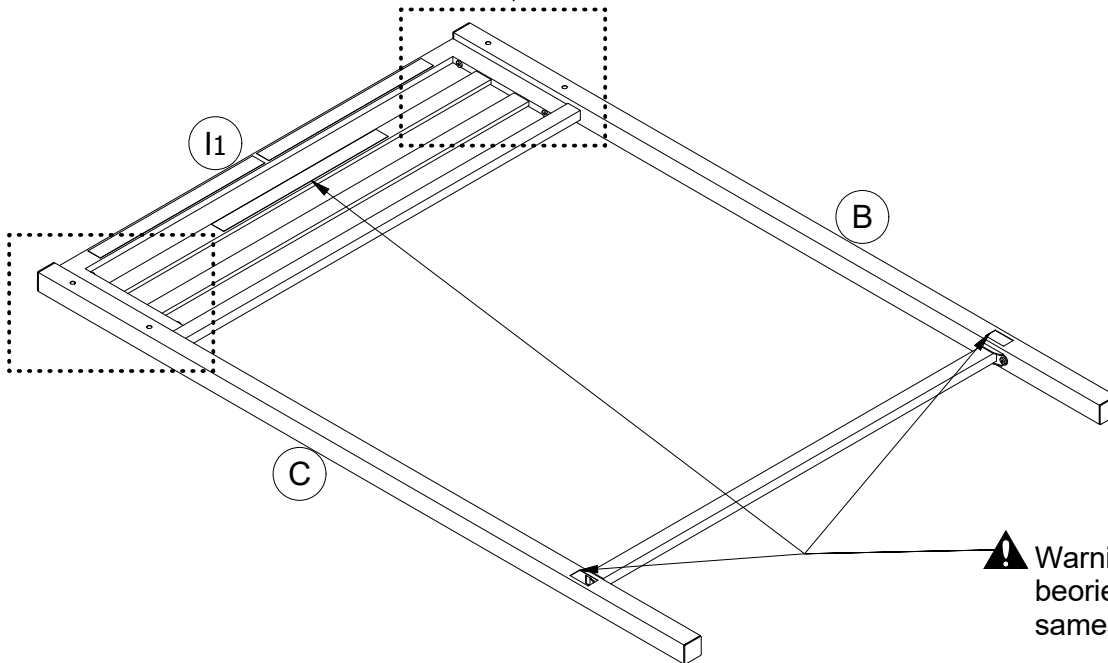
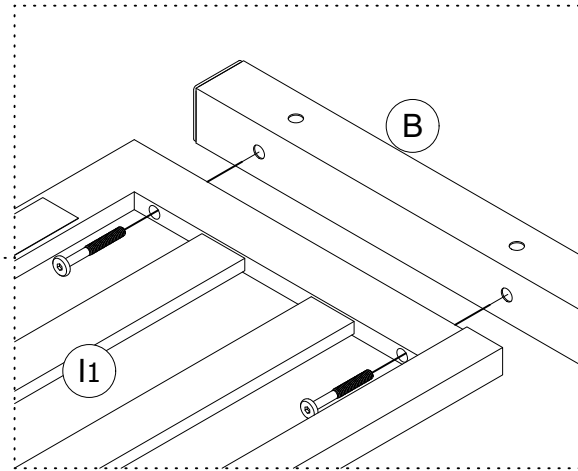
Step 1

Attach T to C/B with **3**.

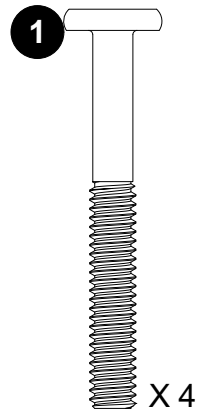


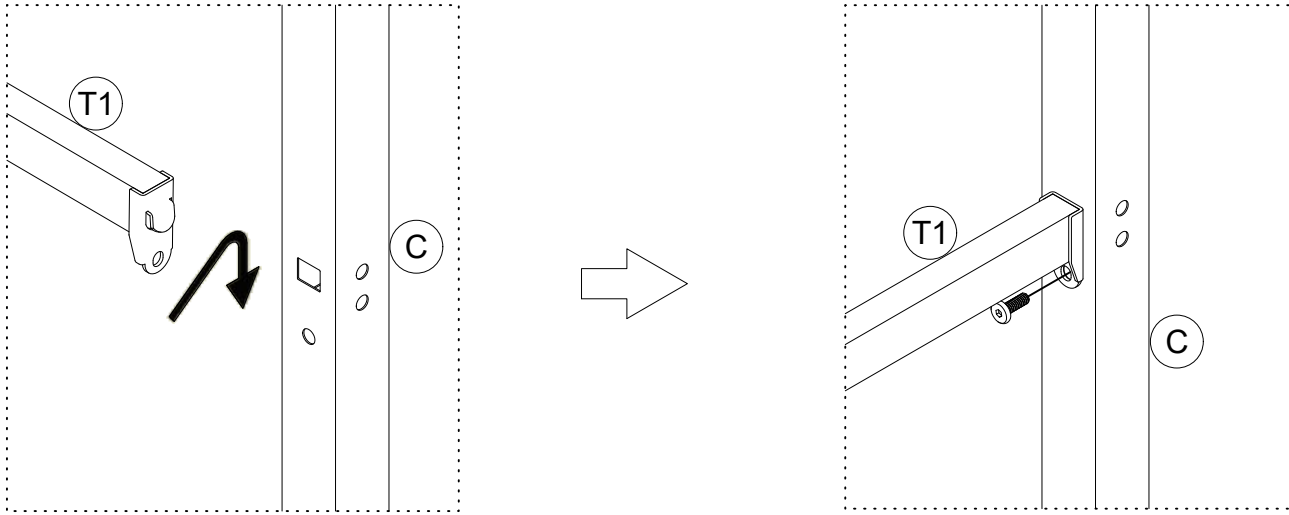
Step 2

Attach I1 to C/B with 1.



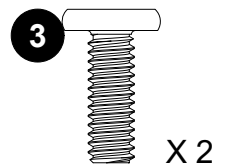
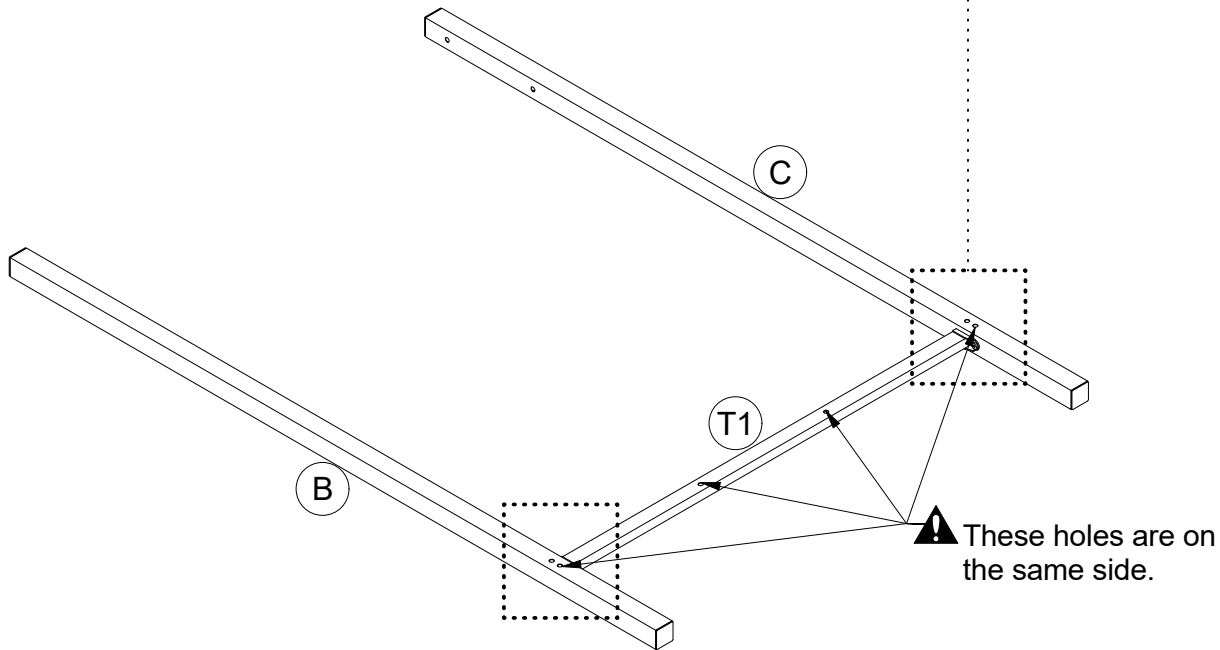
⚠ Warning label on I1 must be oriented on upside and the same side as the side rail slot.





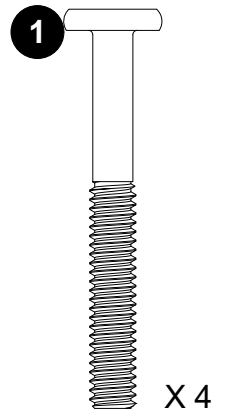
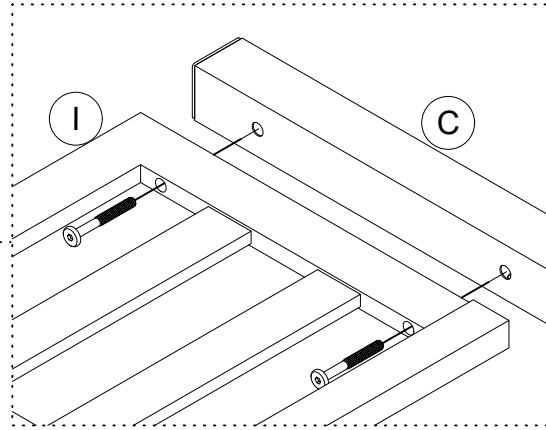
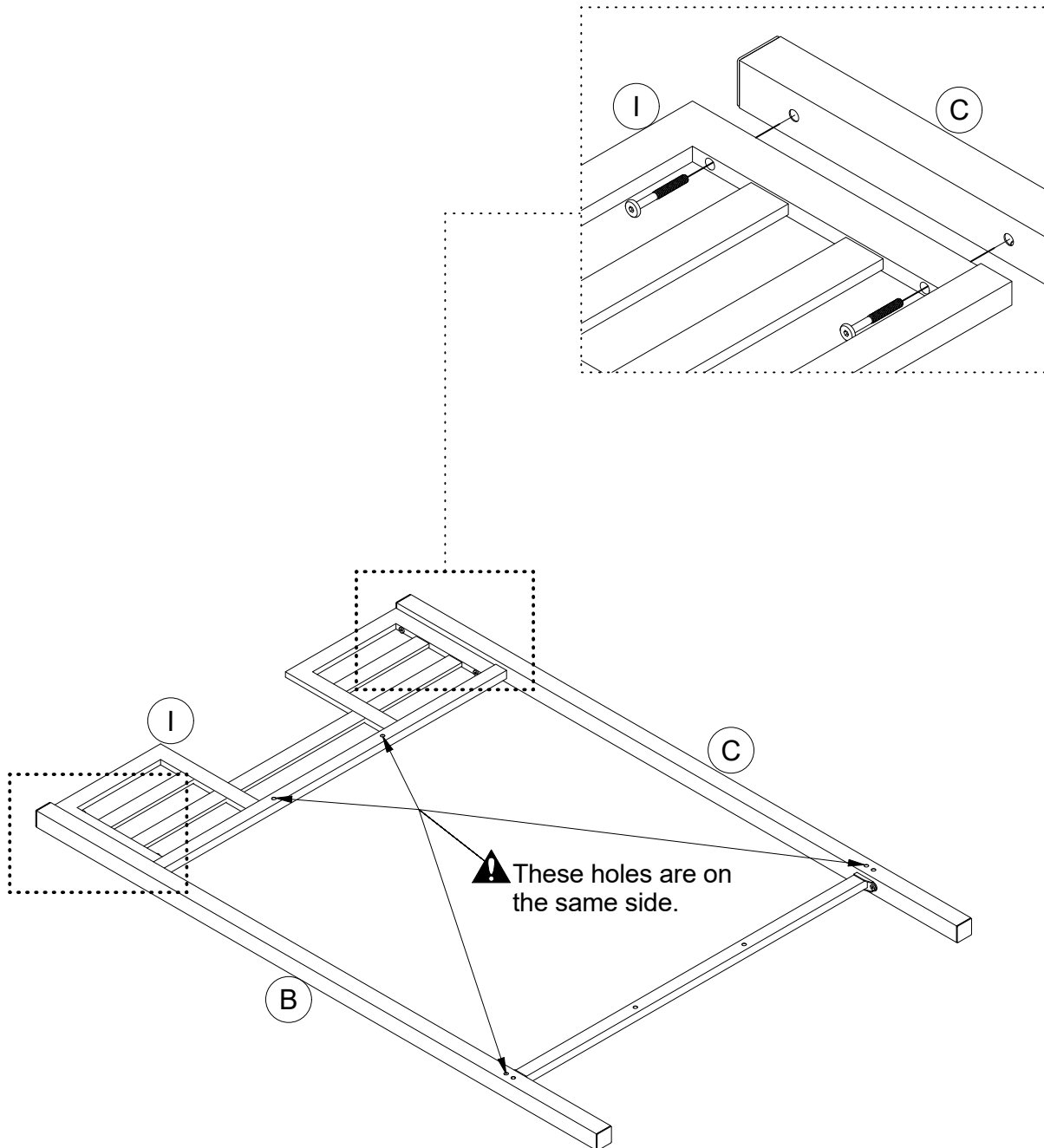
Step 3

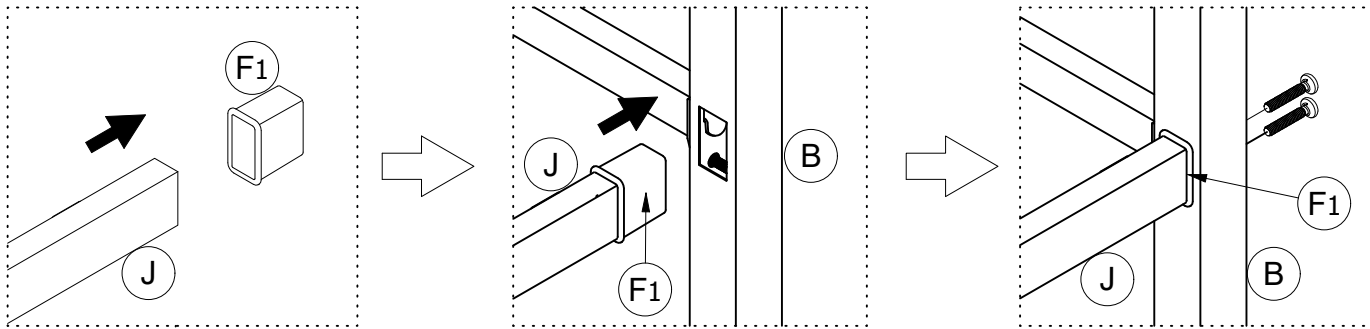
Attach T1 to C/B with **3**.



Step 4

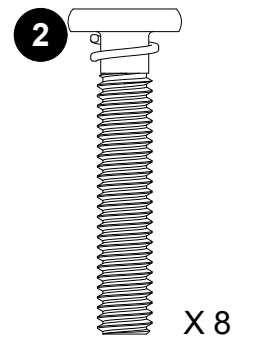
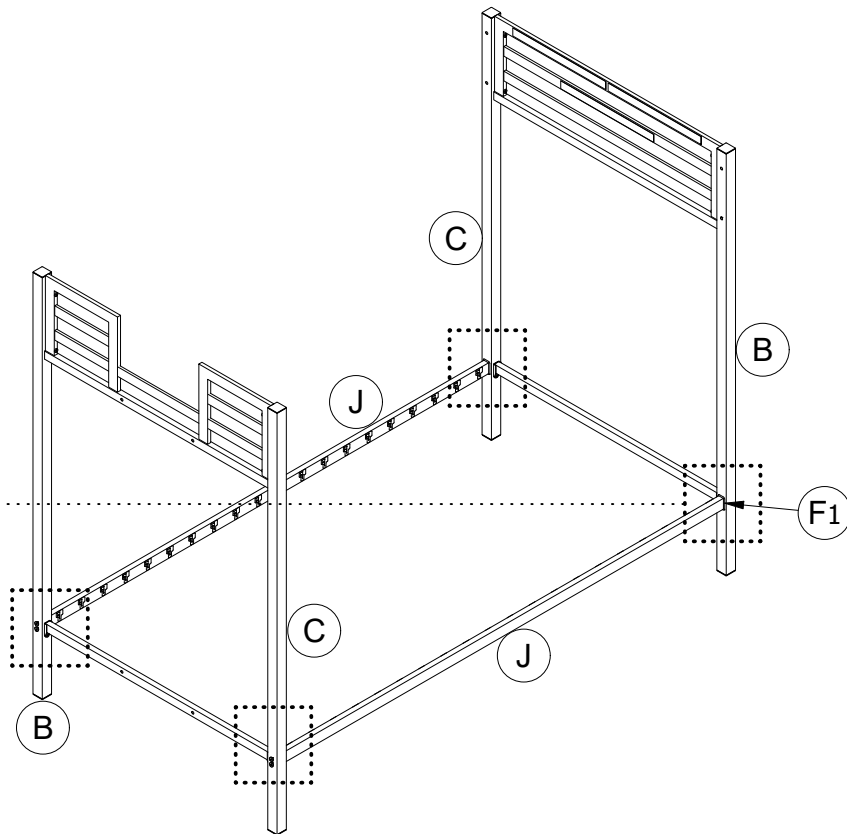
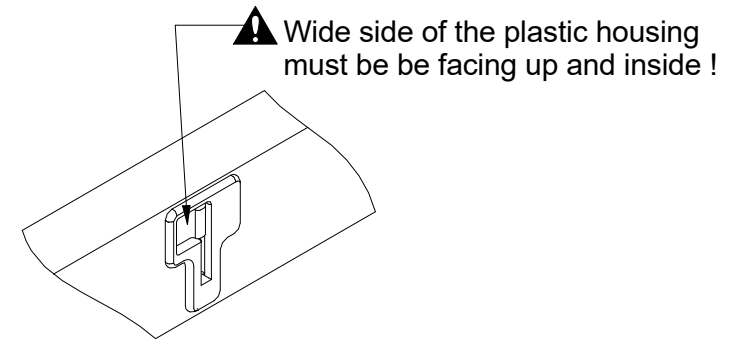
Attach I to C/B with ①.





Step 5

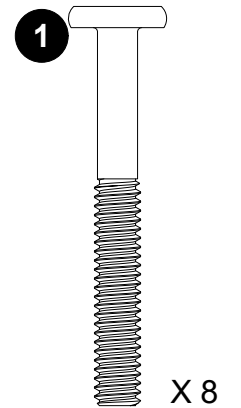
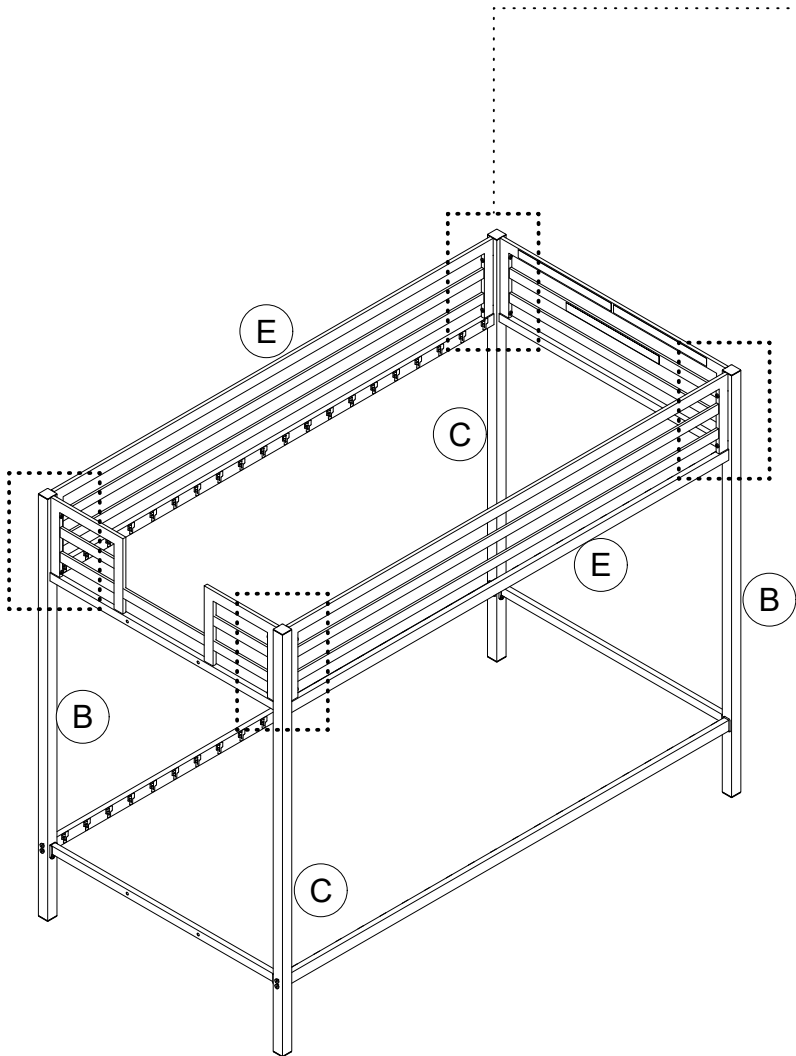
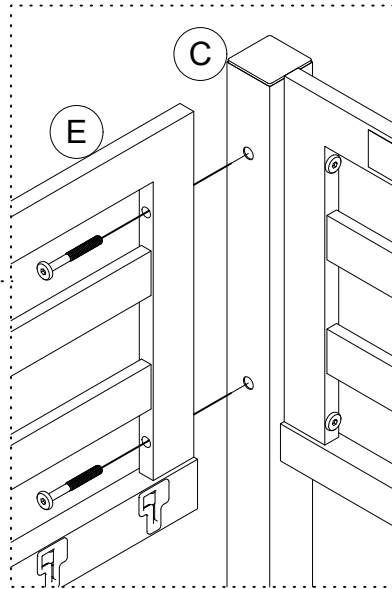
Insert **F1** onto the end of **J**.
 Insert subassembly (**F1/J**) X2 into **B/C** as illustrated, then secure with **2**.



X 8

Step 6

Attach **E** x 2 to **C/B** with **1**.

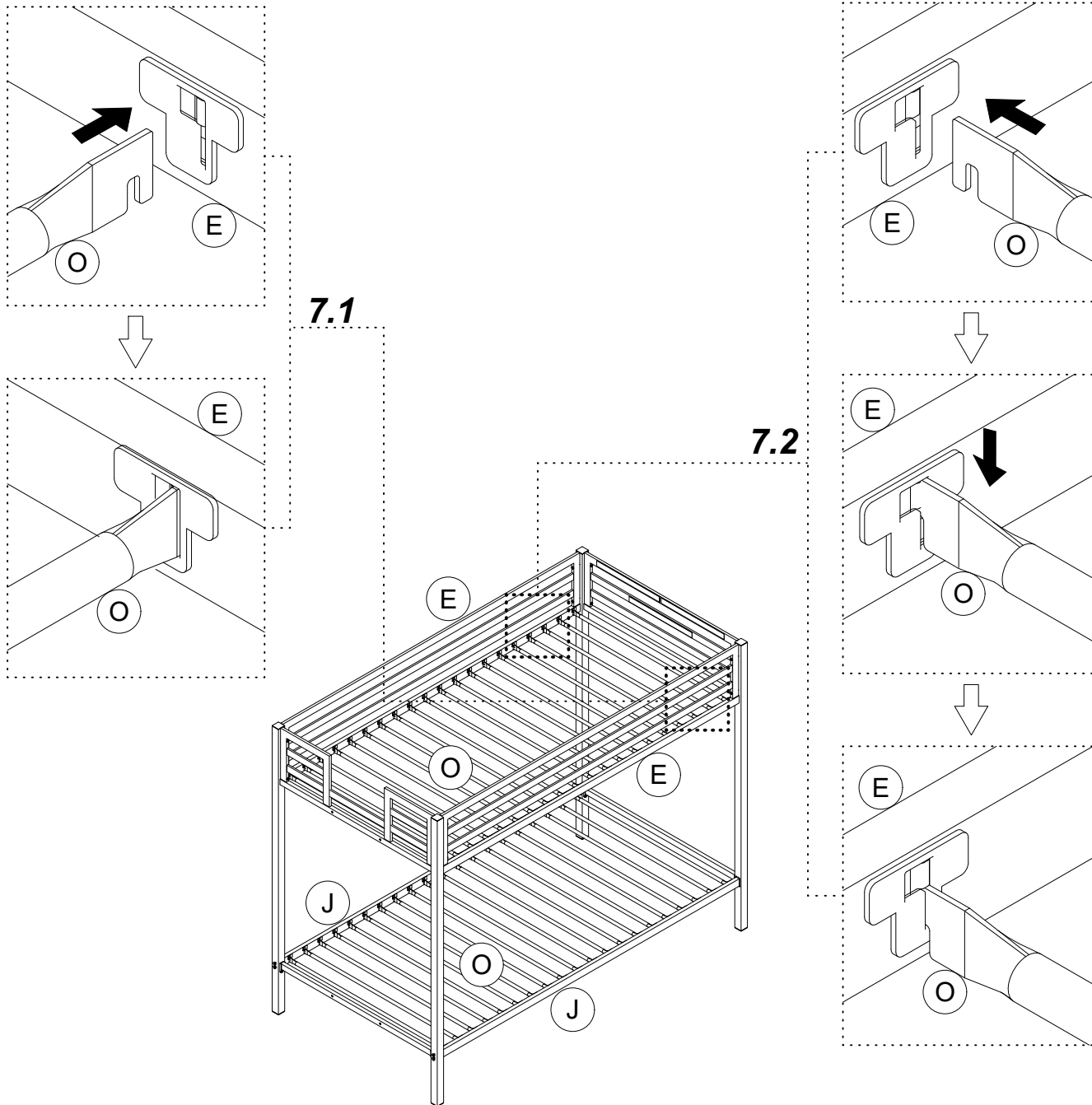


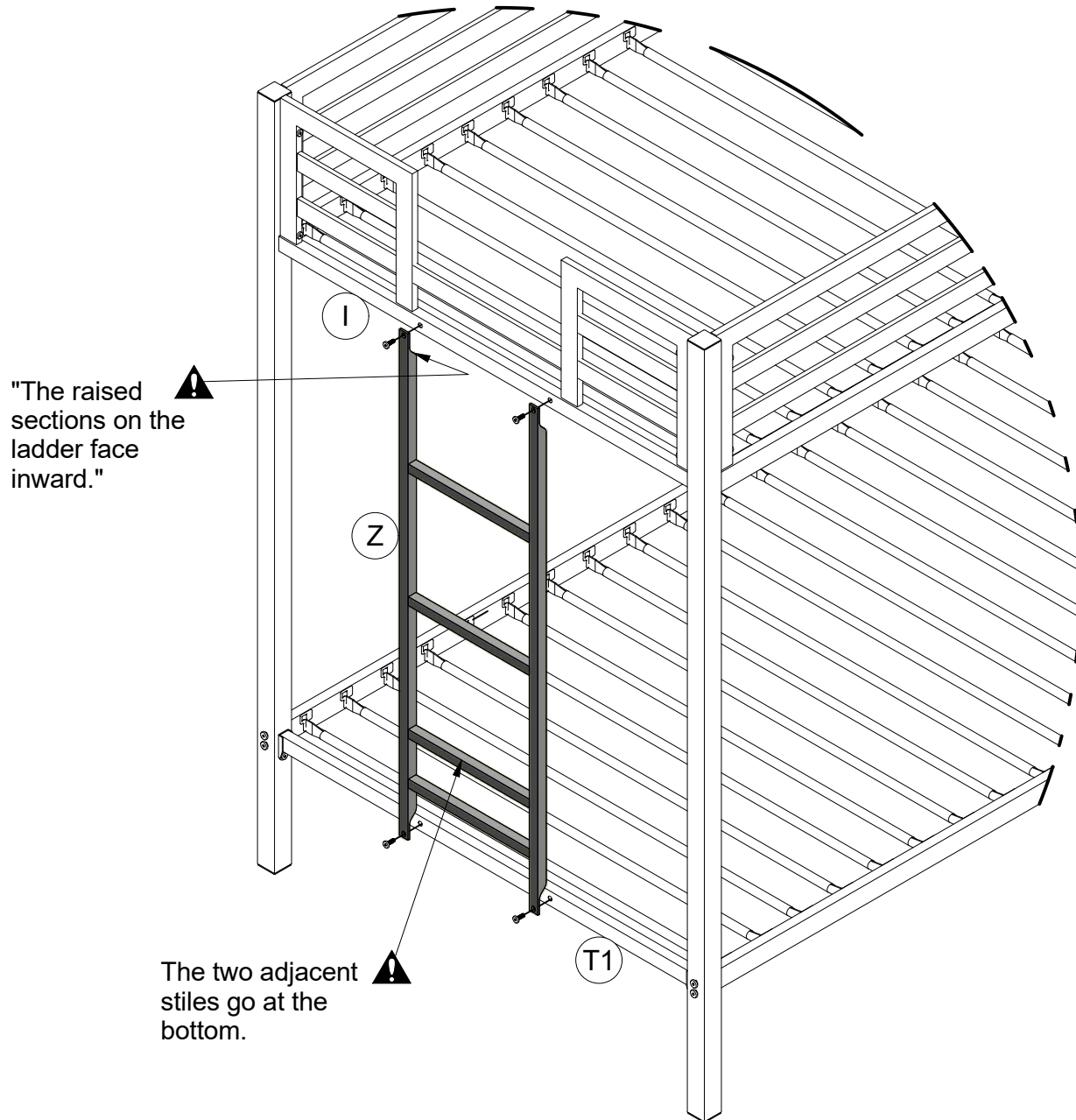
Step 7

7.1 Insert one end of **O** into the plastic housing on **E X 2** and **J X 2** until its ultimate end;

7.2 Insert the other end of **O** into the plastic housing on the opposite **E X 2** and **J X 2**, slide **O** down until notches on **O** fully engaged with plastic housing.

Follow the same procedure for remaining **O**.



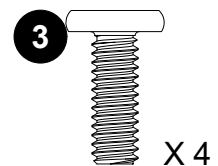
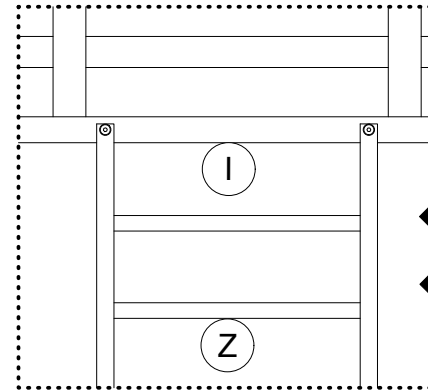
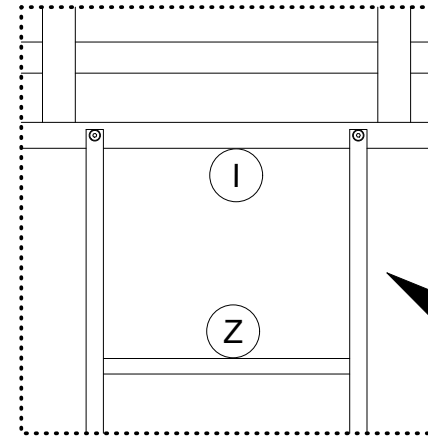


⚠ "The raised sections on the ladder face inward."

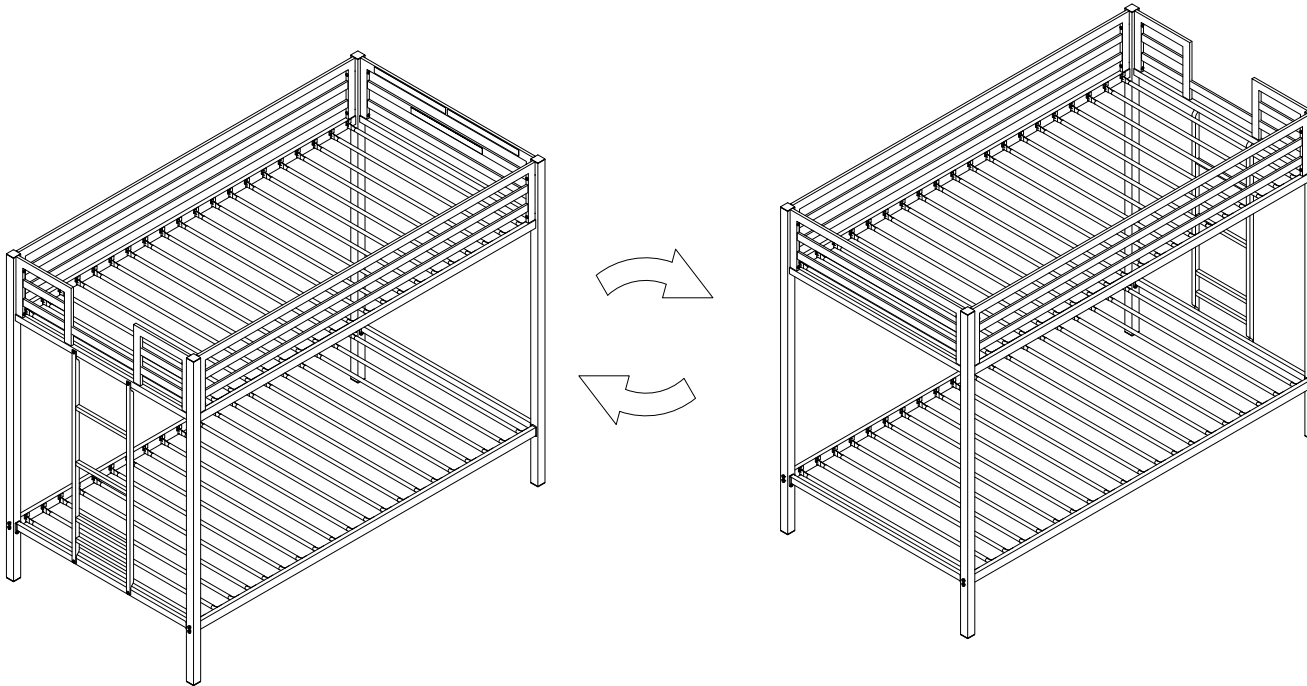
⚠ The two adjacent stiles go at the bottom.

Step 8

Attach **Z** to **I** and **T1** with **3**.



⚠ CAUTION: This unit is intended for use only with the products and/or maximum weights indicated. Use with other products and/or products heavier than the maximum weights indicated may result in instability or cause possible injury.

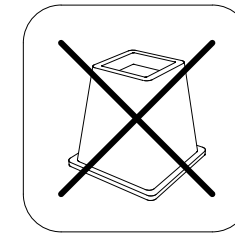


⚠ Weight Limit:
Upper Bed: 200 LBS / 91 KG
Lower Bed: 250 LBS / 113 KG

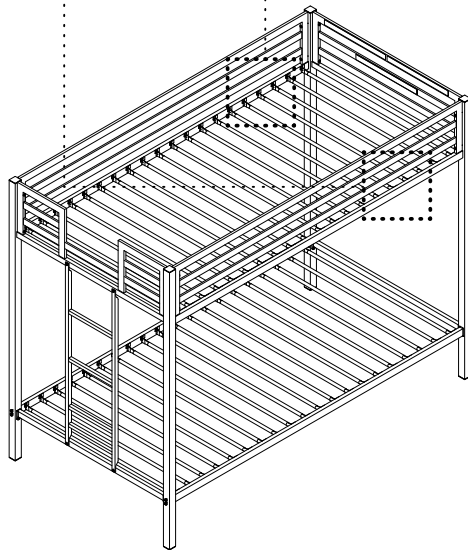
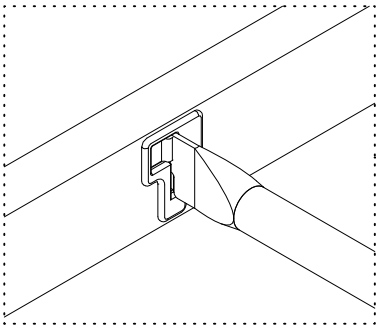
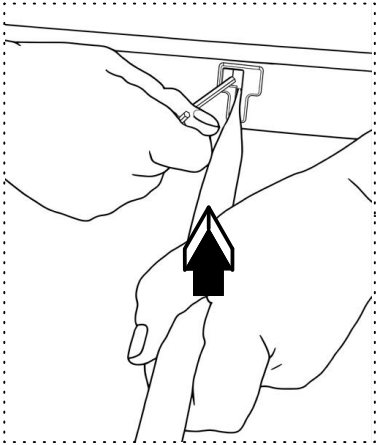
That's it ! You've finished assembling your **Metal Bunk Bed!**

Helpful Hints

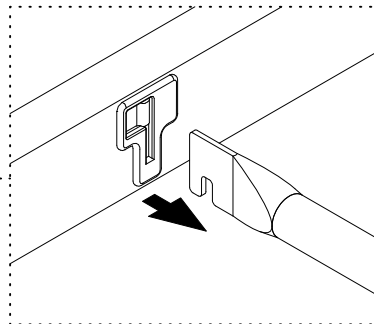
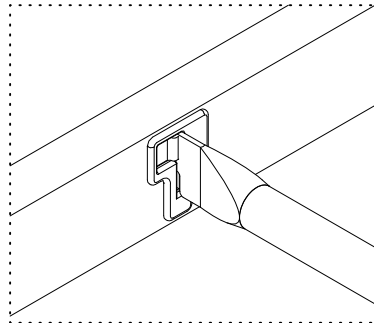
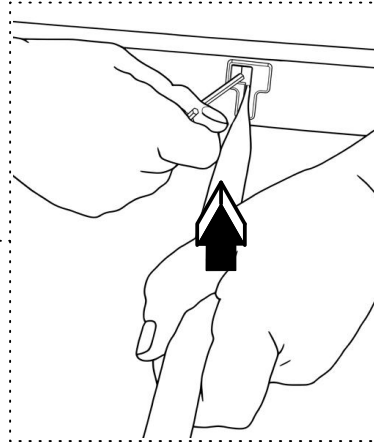
- Move your new furniture carefully, with two people lifting and carrying the unit to its new location.
- Your furniture can be disassembled and reassembled to move.
- Some parts have been pre-assembled for this item. They are illustrated on this page and available for replacement.
- Clean the product with a soft damp cloth. **DO NOT** use harsh chemicals or abrasive cleaners.
- Check bolts and nuts periodically and tighten if necessary.
- Do not use risers under this bed.



1



2



How to Dismantle Bed Slats.

1. Pushing down the Clip of Slat Plastic Housing using Allen Key, simultaneously lift up the Slat at most.
2. Proceed the same procedure for another end of Slat Plastic Housing and Slat, then pull out the Slat gently.

