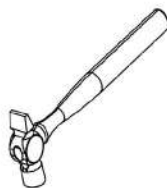
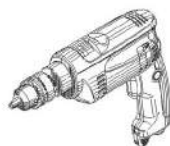
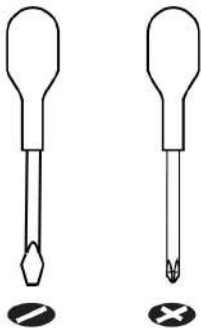




Tools Required



Number of people

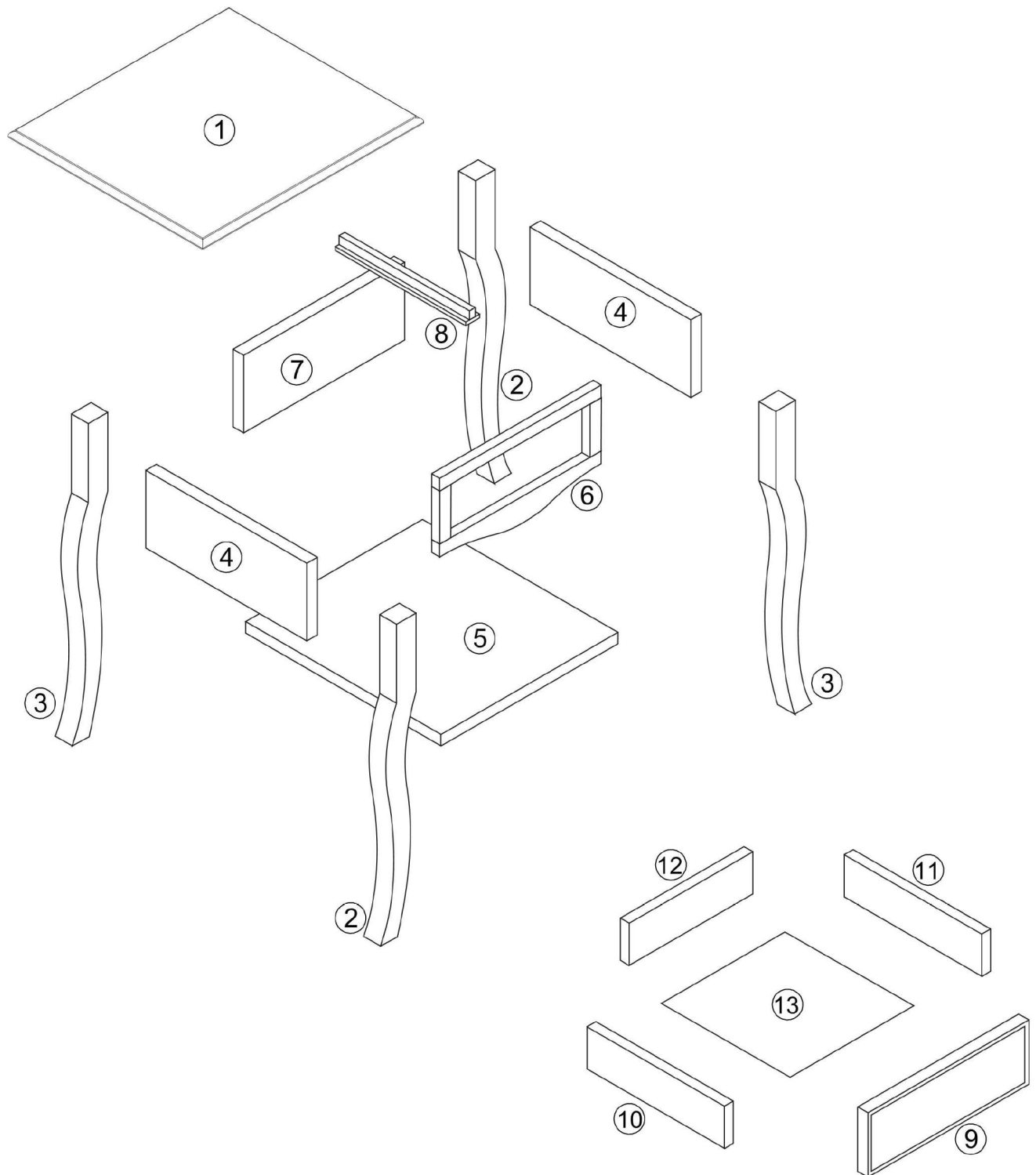


0.5 Hour
Set Up

Parts and Fittings Checklist

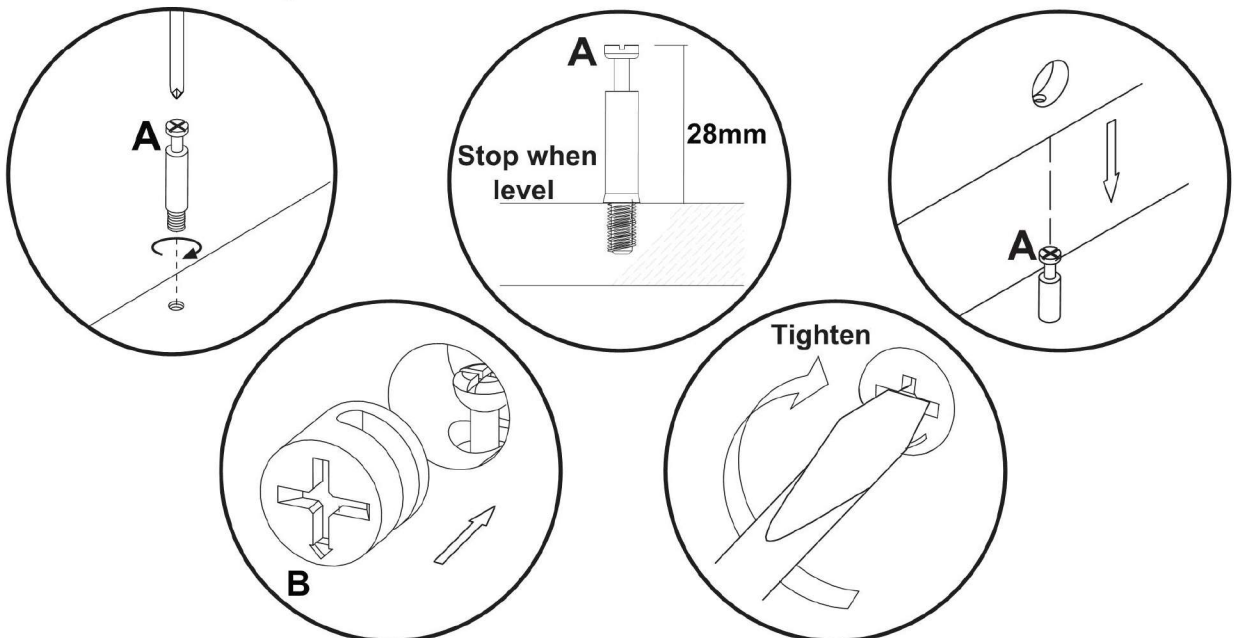
Please check the pack contents before assembling the product. If any components are missing, please contact your retailer.

The fittings pack contains small items that should be kept away from children.



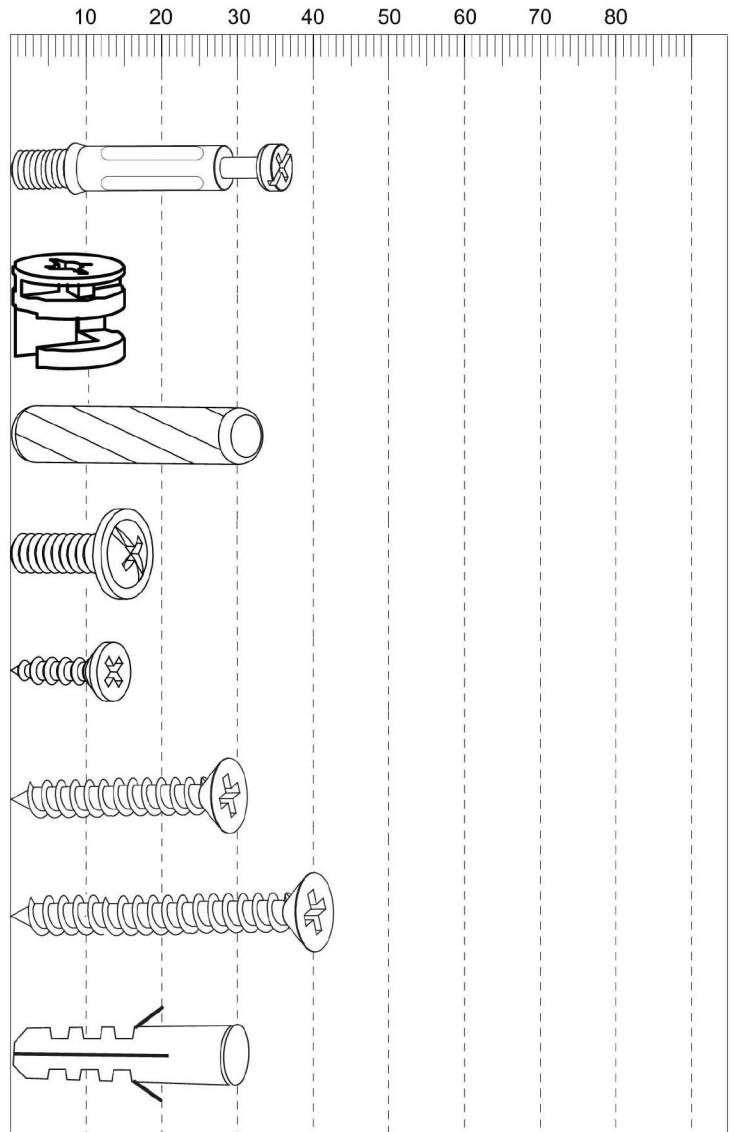
1	2	3
Description: Top Panel Qty: 1 Size: 490 x 380 x 15 mm Carton No: 1/1	Description: LH Legs Qty: 2 Size: 610 x 48 x 48 mm Carton No: 1/1	Description: RH Legs Qty: 2 Size: 610 x 48 x 48 mm Carton No: 1/1
4	5	6
Description: Side Panels Qty: 2 Size: 264 x 168 x 12 mm Carton No: 1/1	Description: Bottom Qty: 1 Size: 376 x 325 x 12 mm Carton No: 1/1	Description: Front Frame Qty: 1 Size: 374 x 195 x 12 mm Carton No: 1/1
7	8	9
Description: Back Panel Qty: 1 Size: 374 x 168 x 12 mm Carton No: 1/1	Description: Wooden Runner Qty: 1 Size: 290 x 30 x 25 mm Carton No: 1/1	Description: Drawer Front Qty: 1 Size: 335 x 130 x 12 mm Carton No: 1/1
10	11	12
Description: LH Drawer Side Qty: 1 Size: 288 x 104 x 12 mm Carton No: 1/1	Description: RH Drawer Side Qty: 1 Size: 288 x 104 x 12 mm Carton No: 1/1	Description: Drawer Back Qty: 1 Size: 283 x 104 x 12 mm Carton No: 1/1
13		
Description: Drawer Base Qty: 1 Size: 292 x 285 x 3 mm Carton No: 1/1		

General Hints & Tips



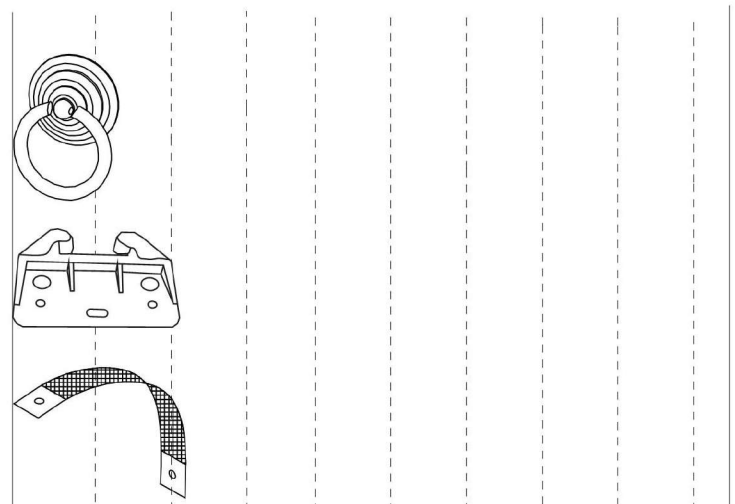
Fittings (to scale)

Code	Item	Quantity
A	Cam Bolt (35mm overall)	28
B	Cam Lock	28
C	Dowel (8x30mm)	8
D	Bolt for Handle (M4x20mm)	1
E	Screw for Drawer Glider Pad (3x12mm)	3
F	Screw for Fitting Drawer Part (4x30mm)	4
G	Screw for Fitting Wooden Runners (4x45mm)	3
H	Expanding Plug for Fitting unit to wall (7x30mm)	1



Fittings (not to scale)

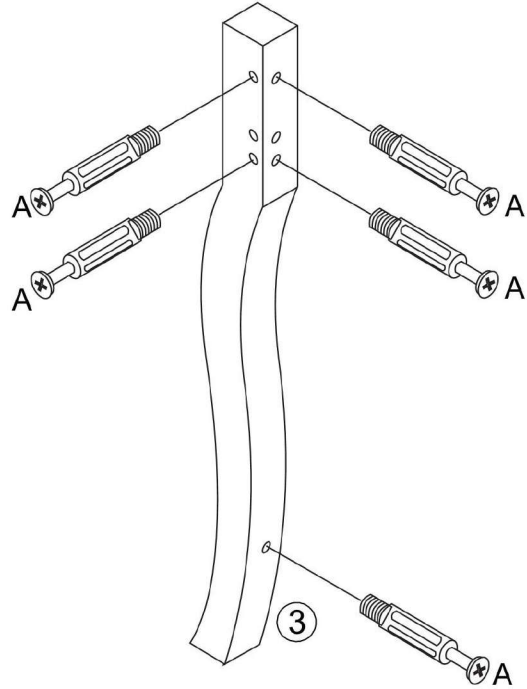
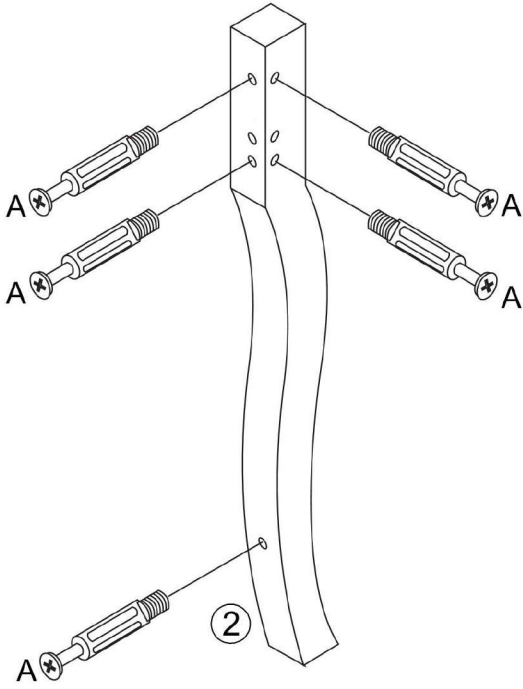
Code	Item	Quantity
J	Handle	1
K	Drawer Glider Pad	1
L	Anti-tilt Strap	1



STEP 1

x2

For this step:
Tools required



Fittings required

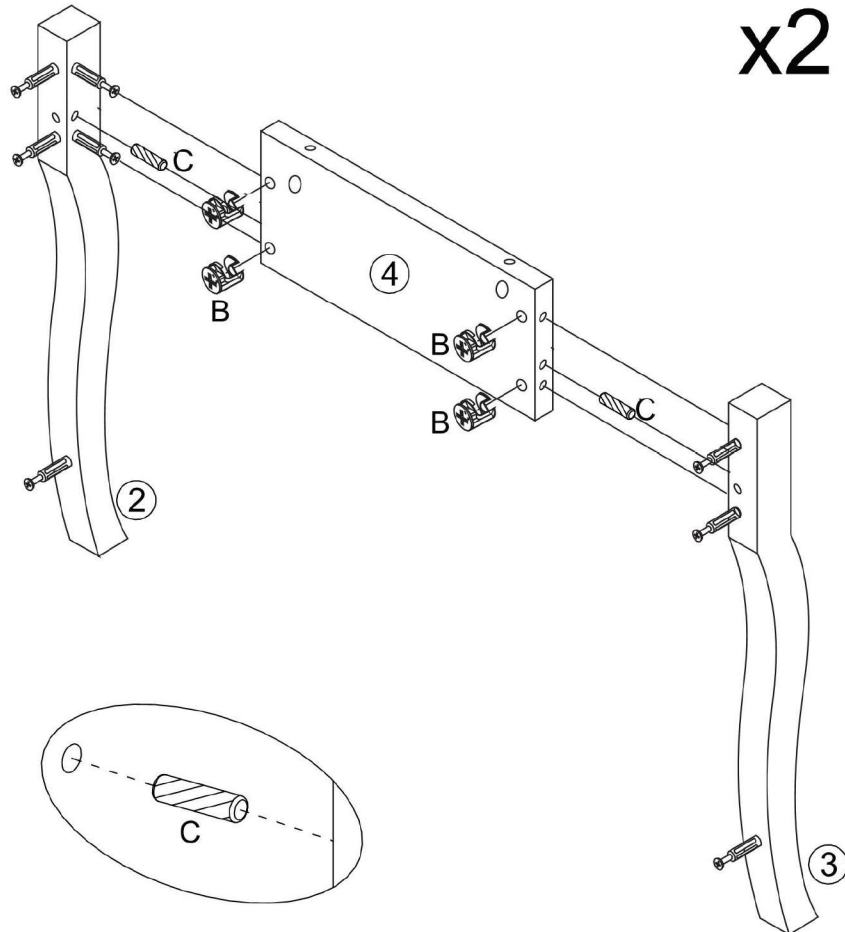
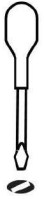


A x20

STEP 2

x2

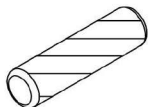
For this step:
Tools required



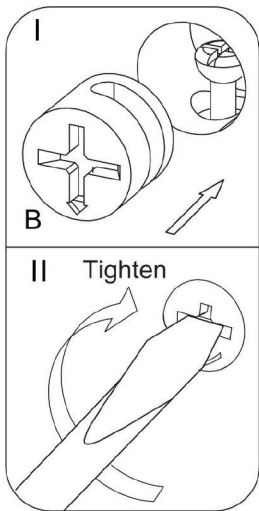
Fittings required



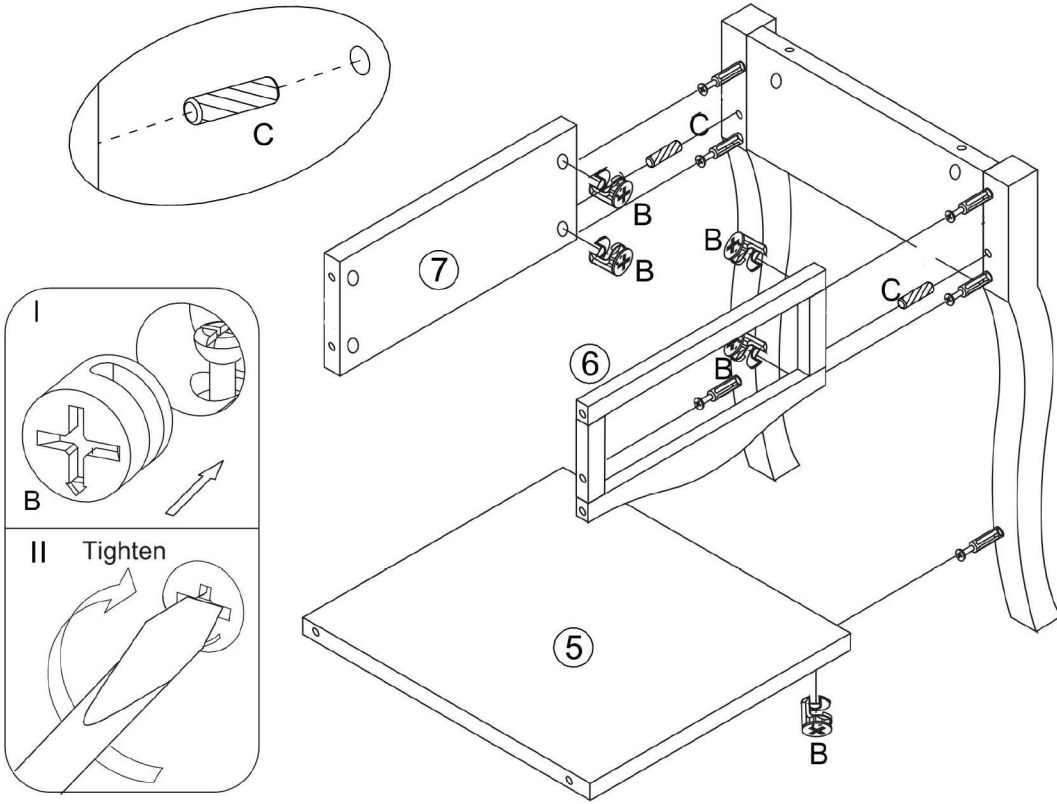
B x8



C x2



STEP 3



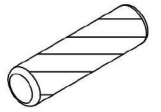
For this step:
Tools required



Fittings required

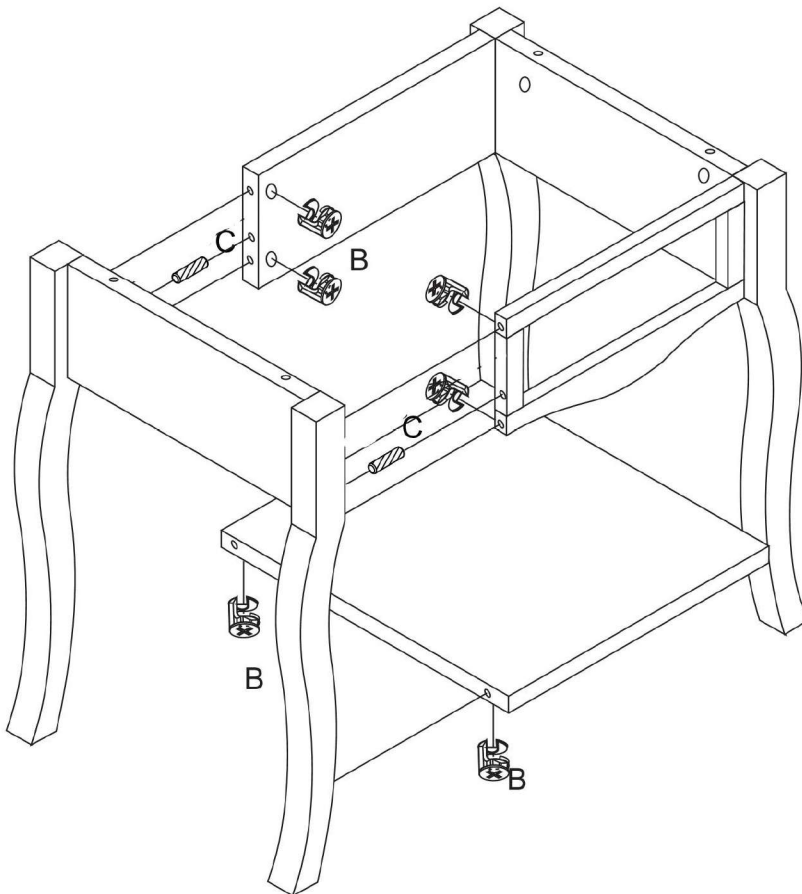


B x6



C x 2

STEP 4



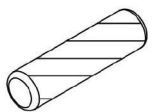
For this step:
Tools required



Fittings required

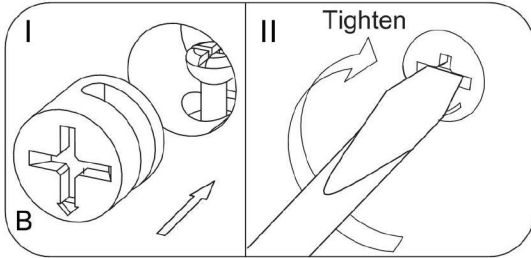
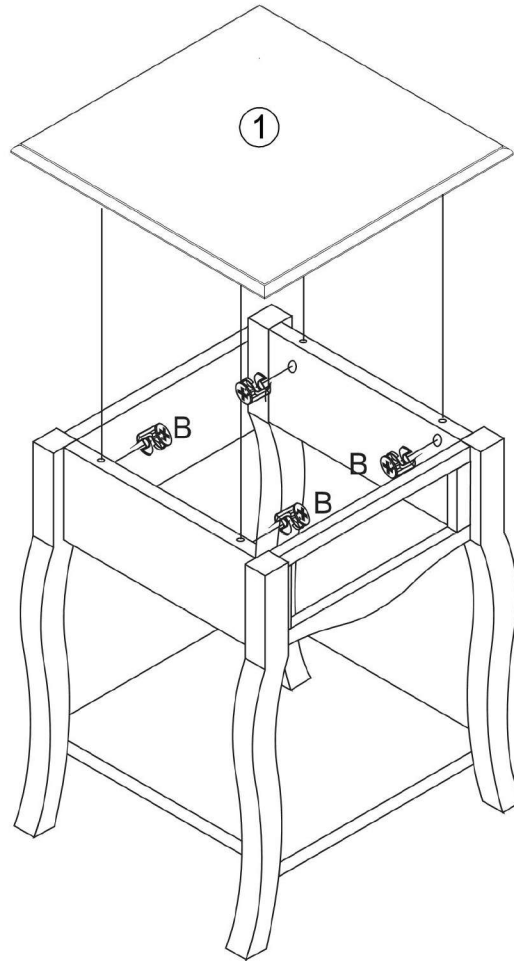
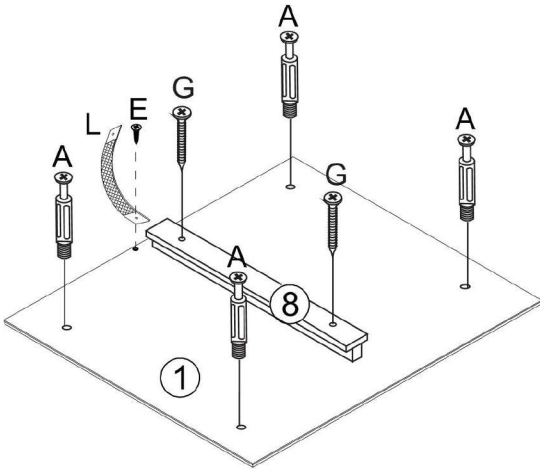


B x6

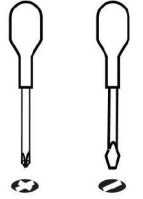


C x 2

STEP 5



For this step:
Tools required



Fittings required



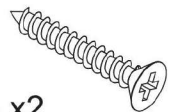
A x4



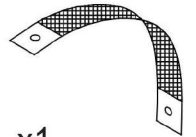
B x4



E x1

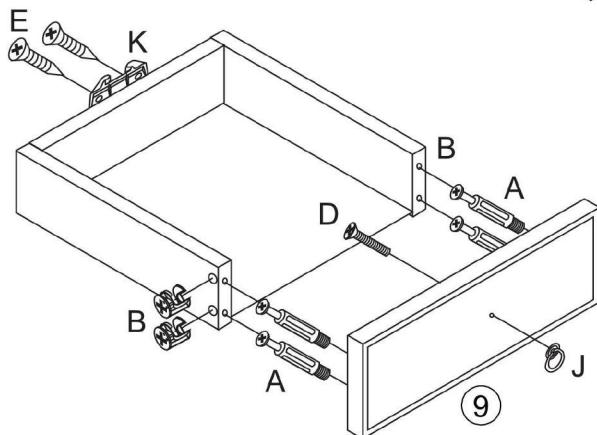
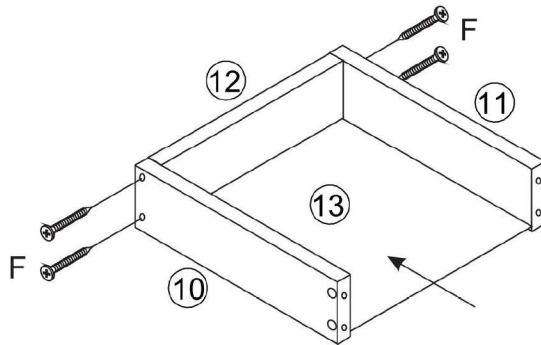


G x2

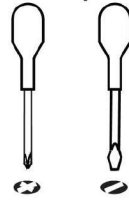


L x1

STEP 6



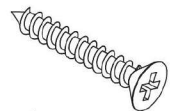
For this step:
Tools required



Fittings required



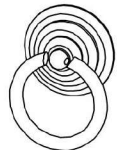
A x4



F x4



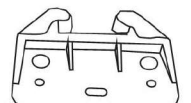
B x4



J x1



D x1

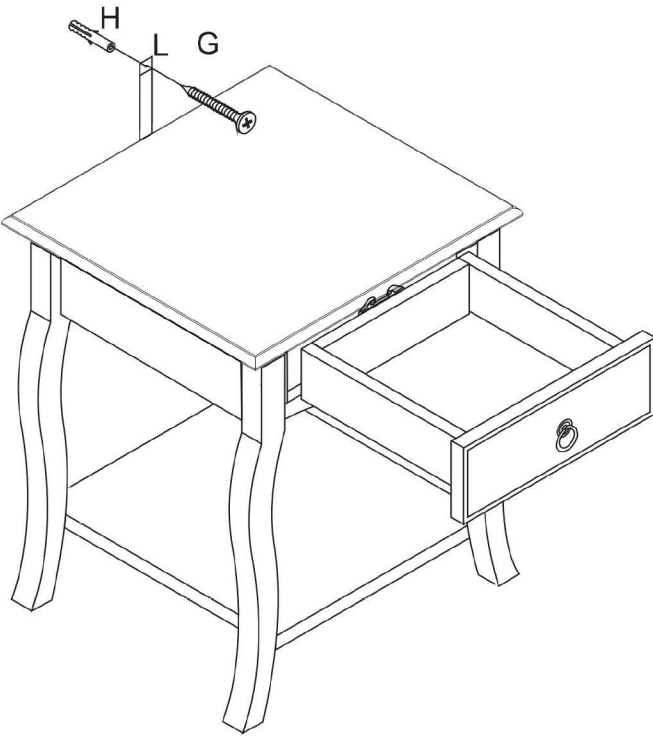


K x1



E x3

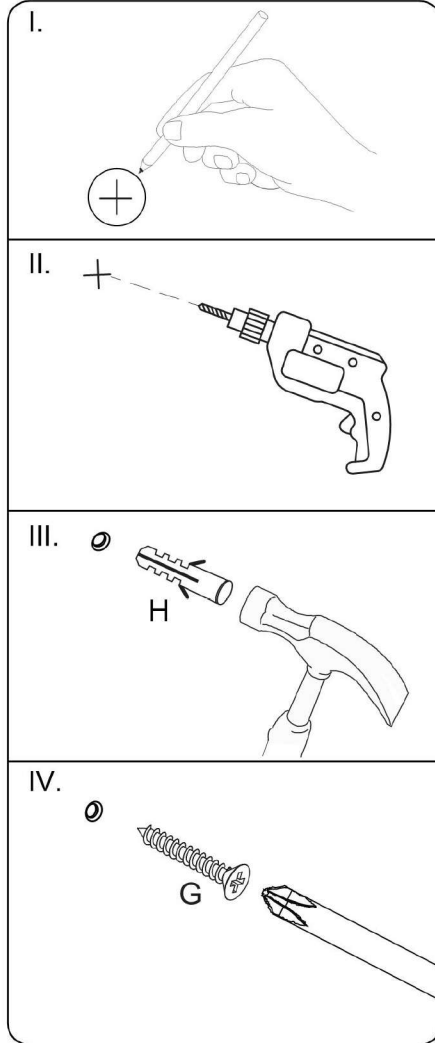
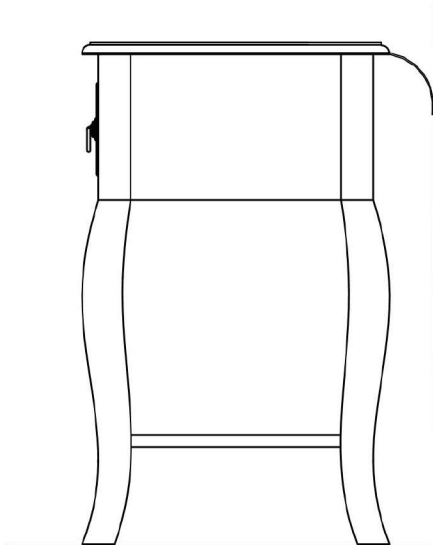
STEP 7



We recommend the use of the wall strap provided (L) to avoid accidents and possible fatal injuries if the item falls or tips over.

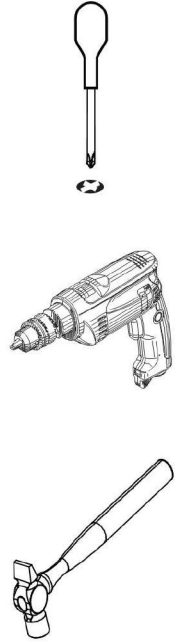
If in doubt about fixing to the wall, or if wall fitting provided is not suitable (H), for instance because your wall is a cavity wall rather than a solid wall, please consult a qualified trades-person to gain help, to fix device securely.

Warning: Always ensure the area to be drilled is free from hidden electrical wires, water and gas pipes.

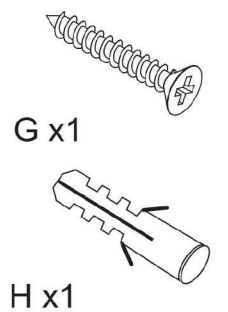


For this step:

Tools required



Fittings required



Assembly Completed



Keep instructions for future reference

