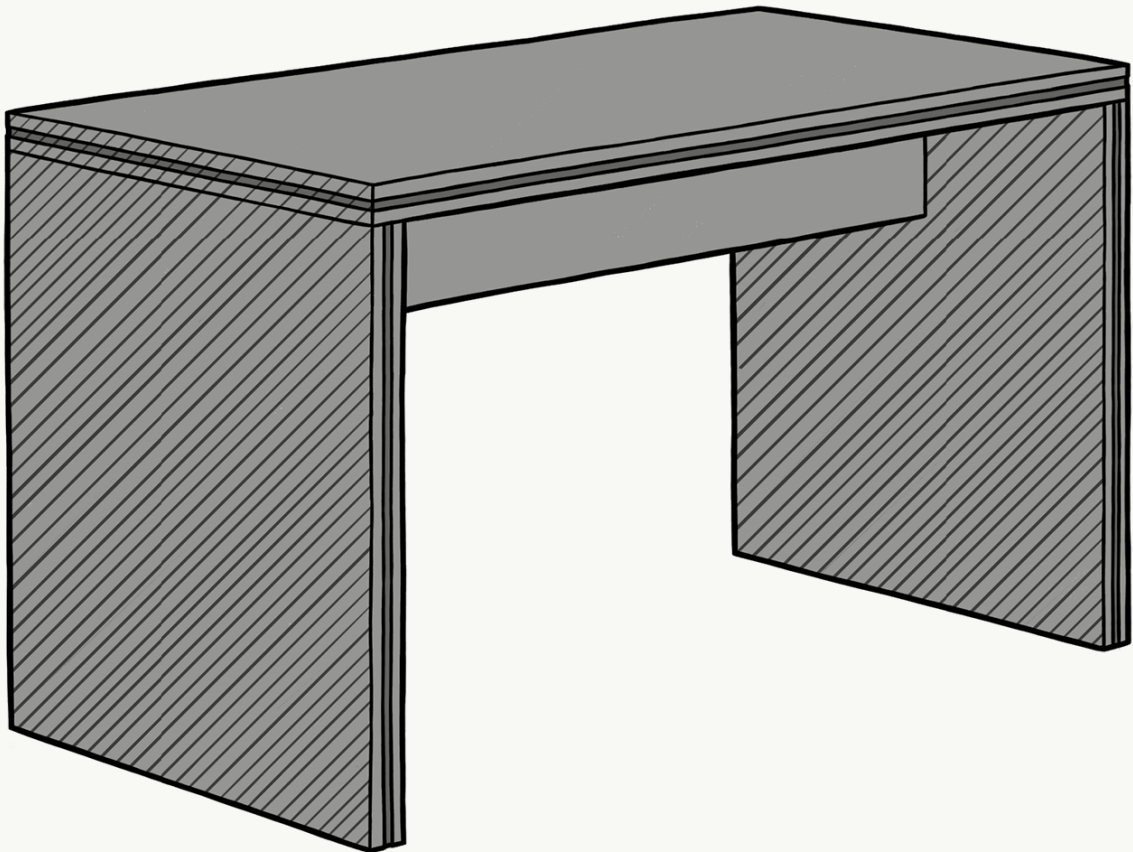
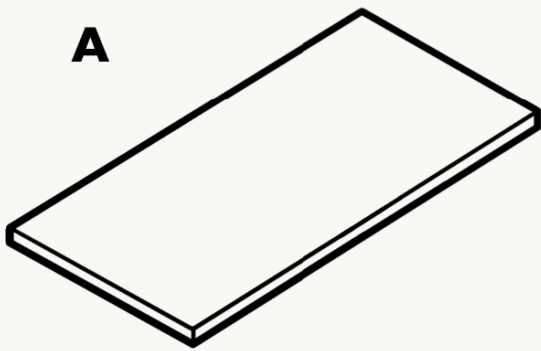


# INSTRUCTION MANUAL

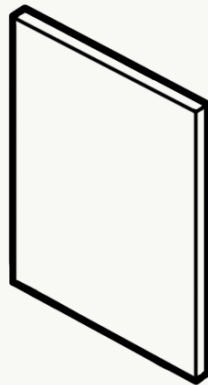


# Instructions side 1



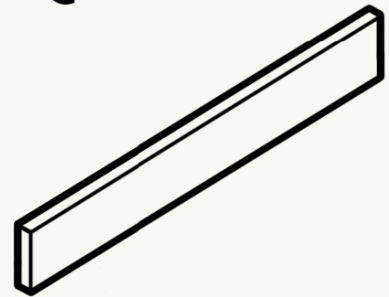
**A**

x1



**B**

x2



**C**

x1

**D**



x1

**E**



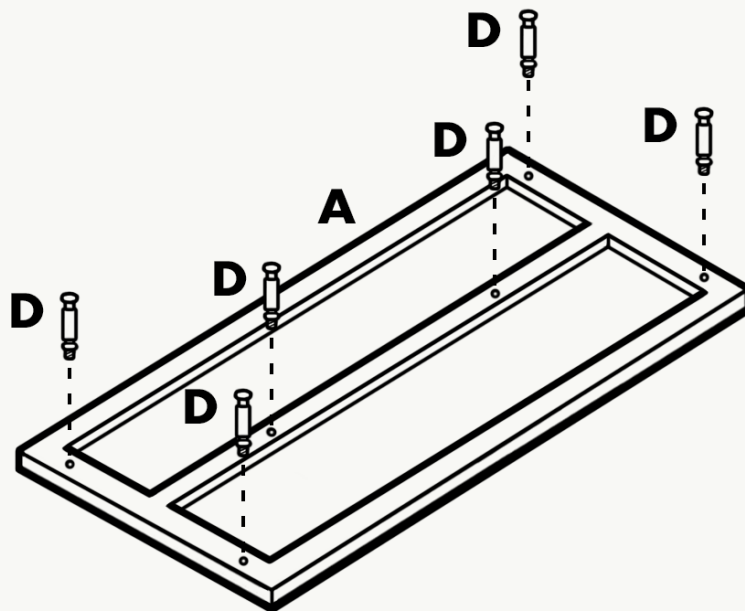
x12



Tools Included

**1**

Insert screws (D) into holes in underside of tabletop (A)



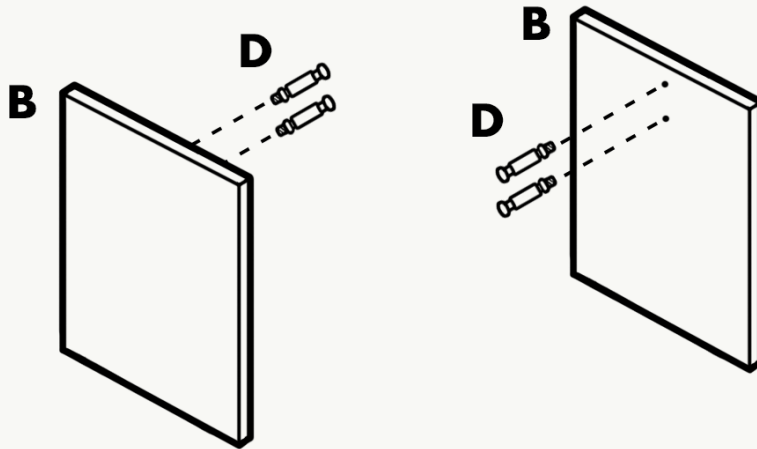
**Parts needed in step 1:**

**Tabletop (A)** x1

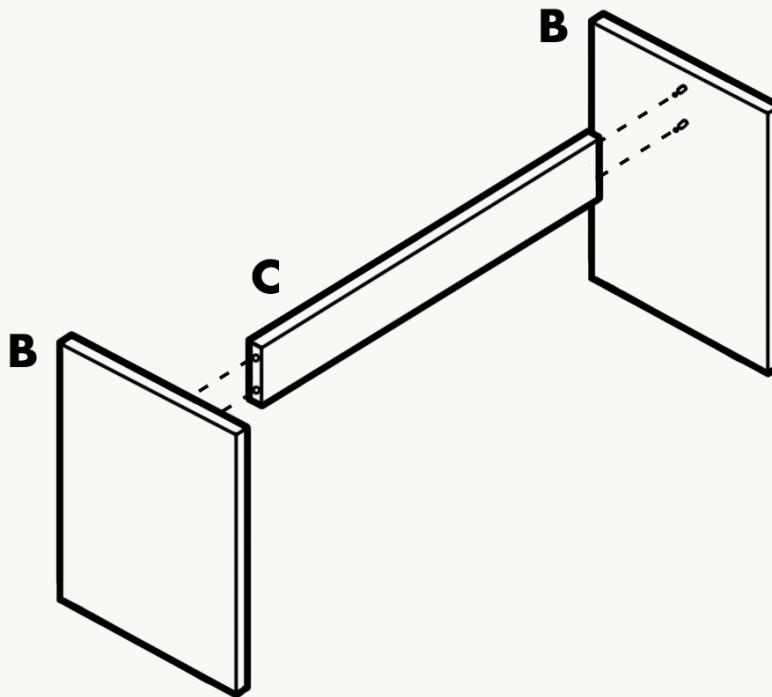
**Screws (D)** x6

**Screw covers (E)**

**2** Insert screws (D) into holes in table sides (B)



**3** Hold table sides (B) in place and move table support (C) into place, inserting the end of screws into holes in C



**Parts needed in step 2:**

**Table sides (B)** x2

**Screws (D)** x4

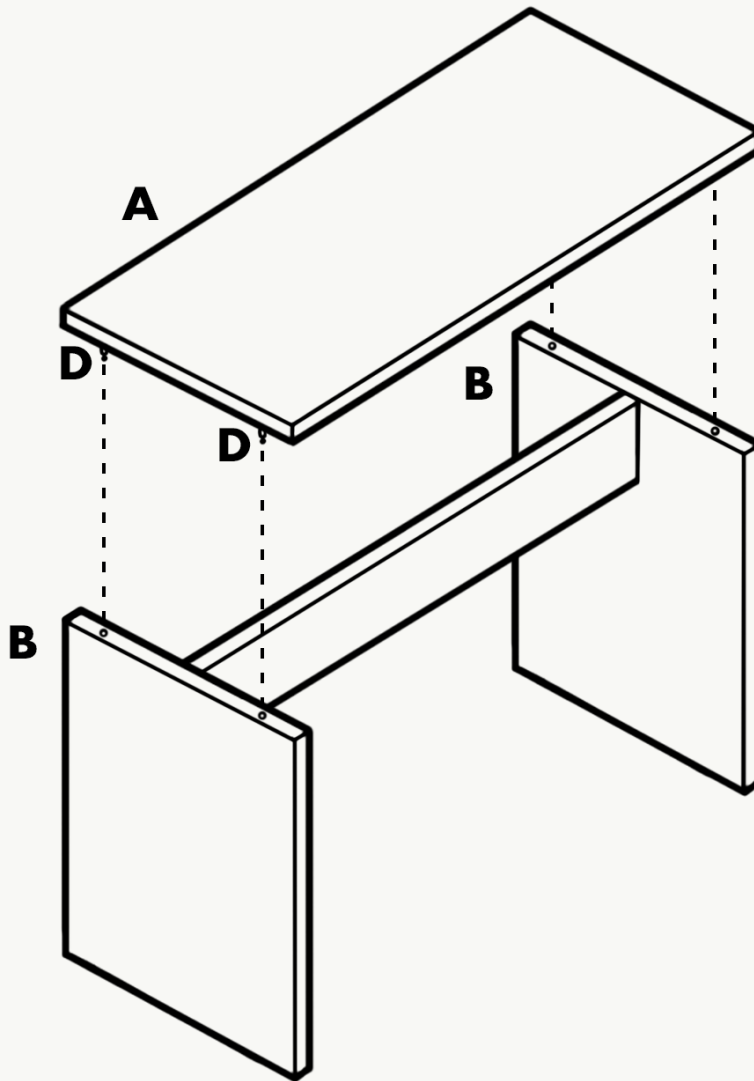
**Parts needed in step 3:**

**Completed step 2** x1

**Table support (C)** x1

## Instructions side 2

- 4** Insert the end of screws (D) in tabletop (A) into holes at top of table sides (B)

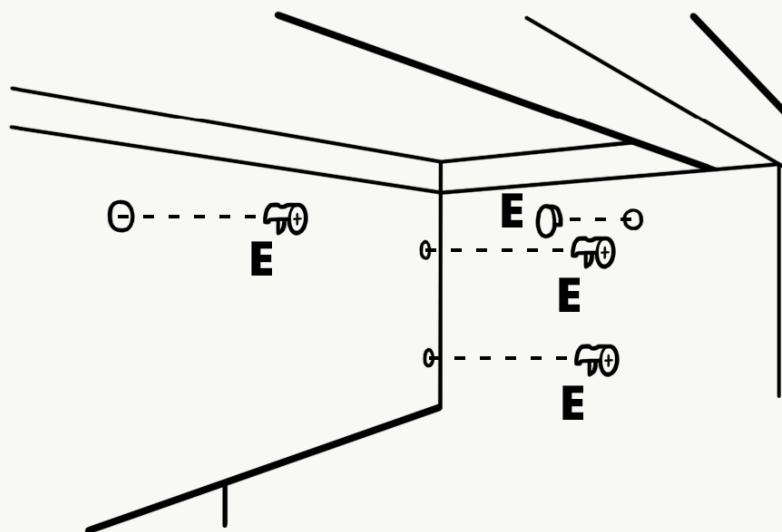


### Parts needed for step 4:

Completed step 3	x1
Tabletop (A)	x6

**5**

**Insert screw caps (E) into holes in table sides (B) and support (C). Turn screw caps until screws (D) are secure**



**Parts needed for step 5:**

<b>Completed step 4</b>	x1
<b>Screw caps (E)</b>	x10

**Note:** screws may loosen over time and so should be tightened every 3–6 months.

**Dimensions** ( $\pm 3\text{cm}$ )

Height: 76cm

Width: 120cm

Depth: 60cm