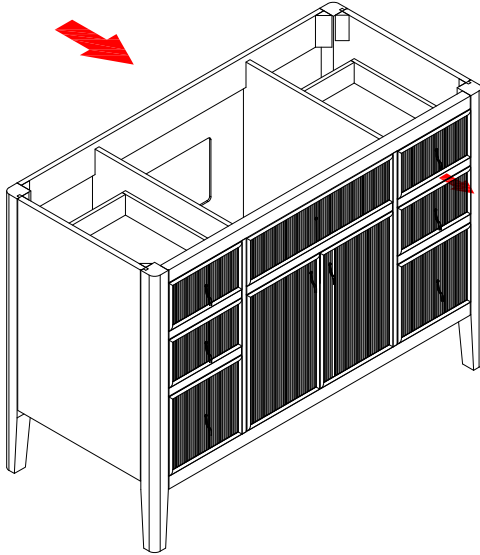


Install Handles

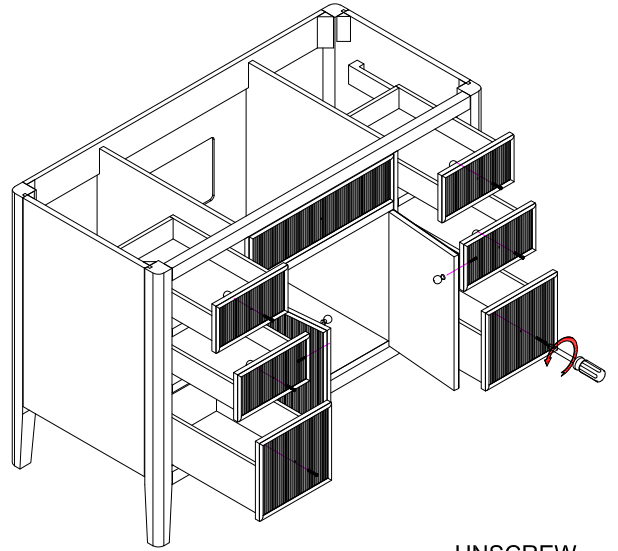
STEP 1



Please first use the rope on the screw to open the drawer, or push down the drawer from the back panel hole to open it.

STEP 2

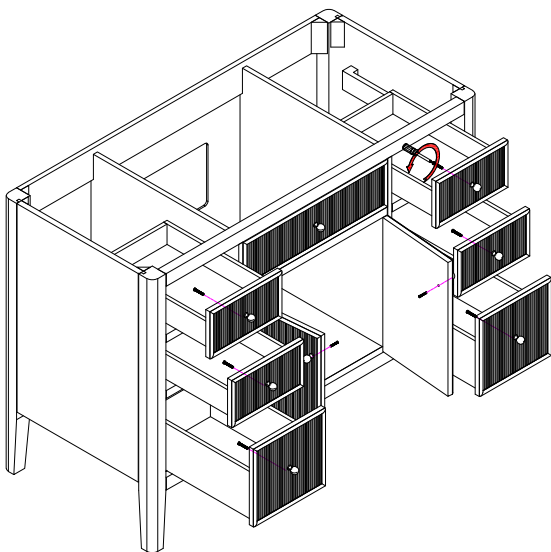
Screw Driver



UNSCREW

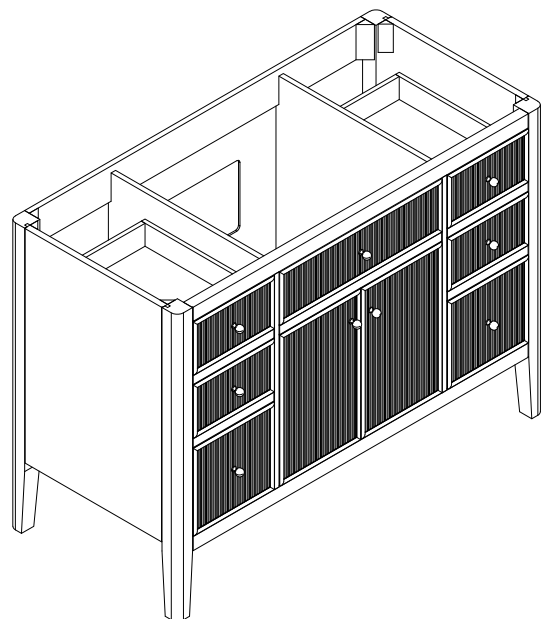
STEP 3

Screw Driver



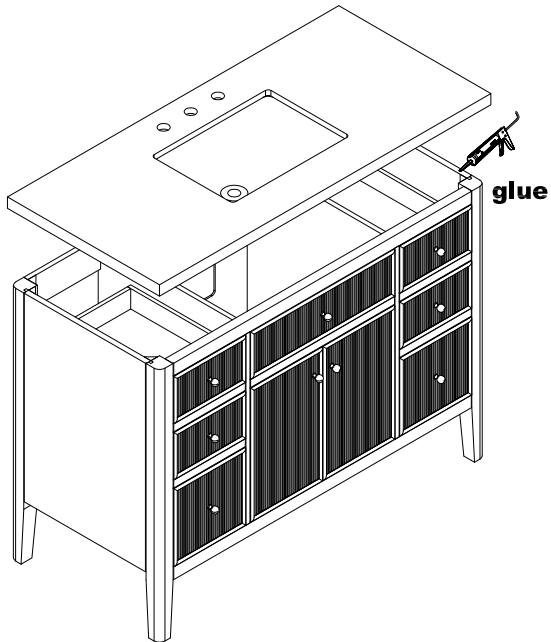
INSTALL HANDLES

STEP 4

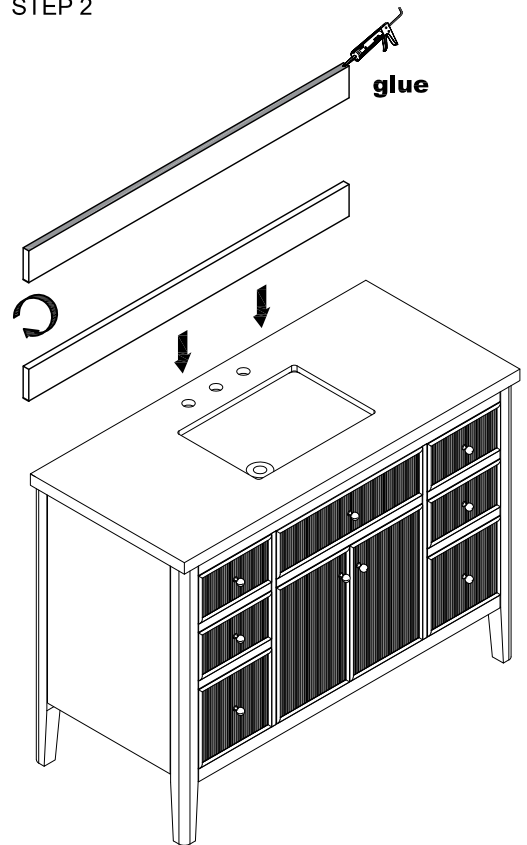


Install Basin and Backsplash

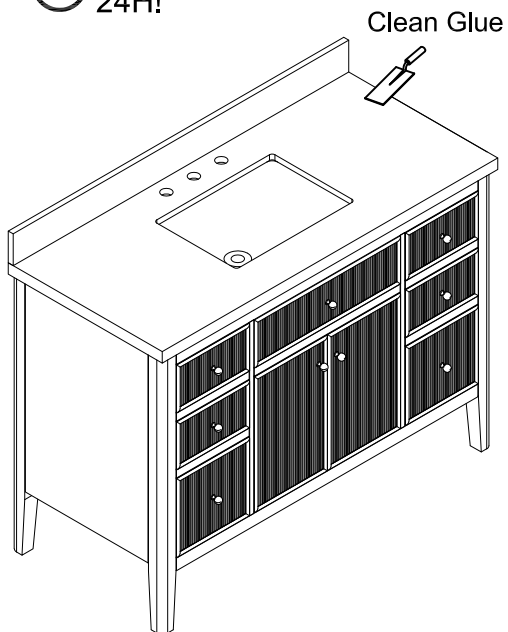
STEP 1



STEP 2



STEP 3



STEP 4

