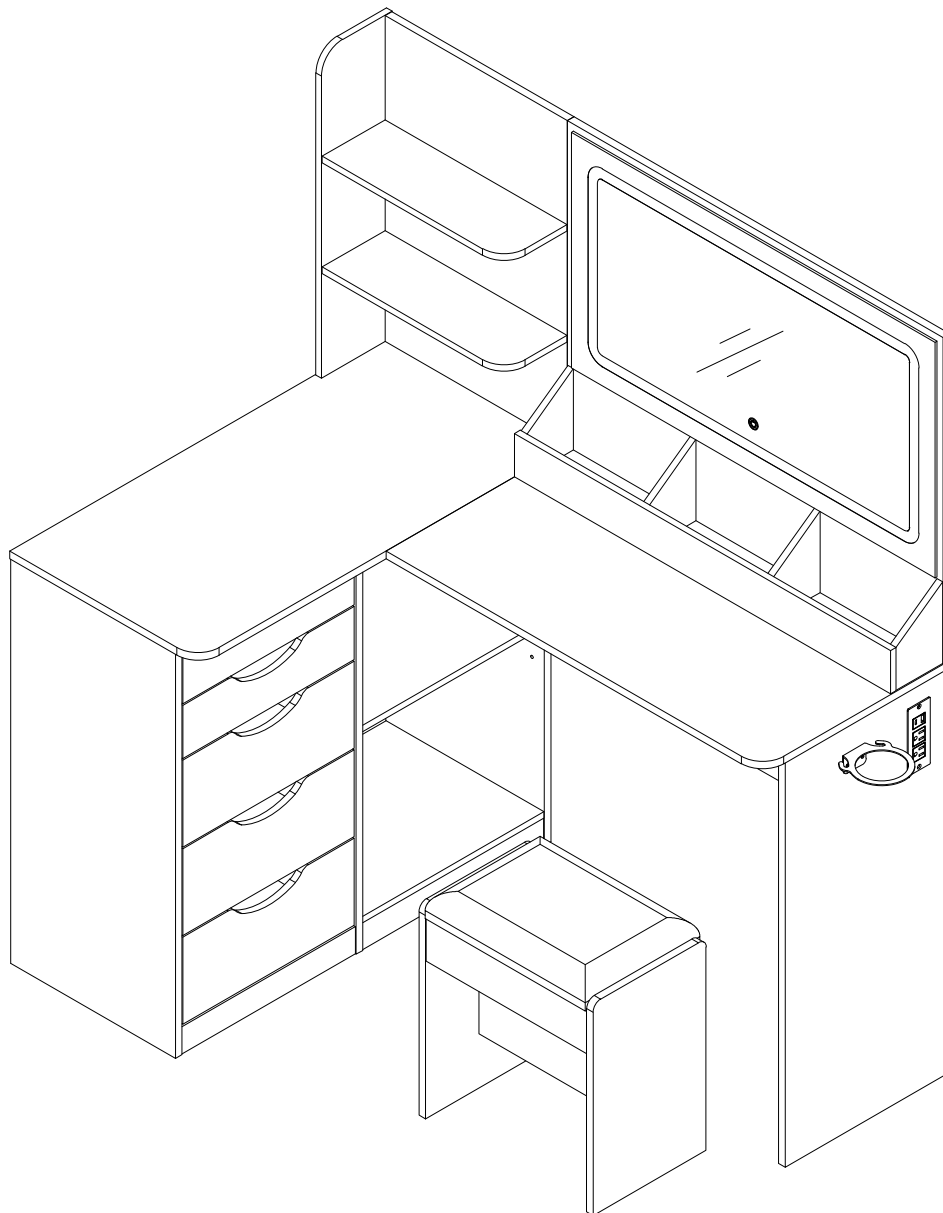
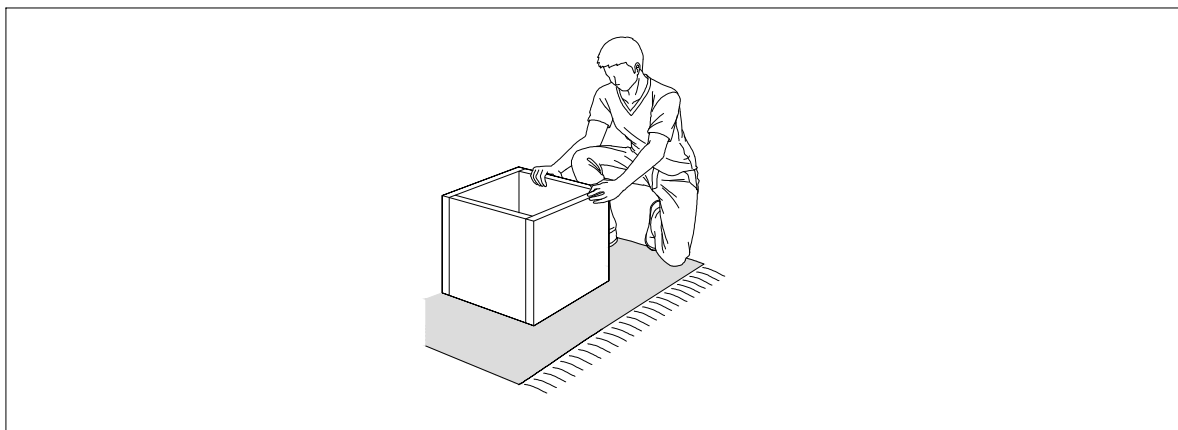
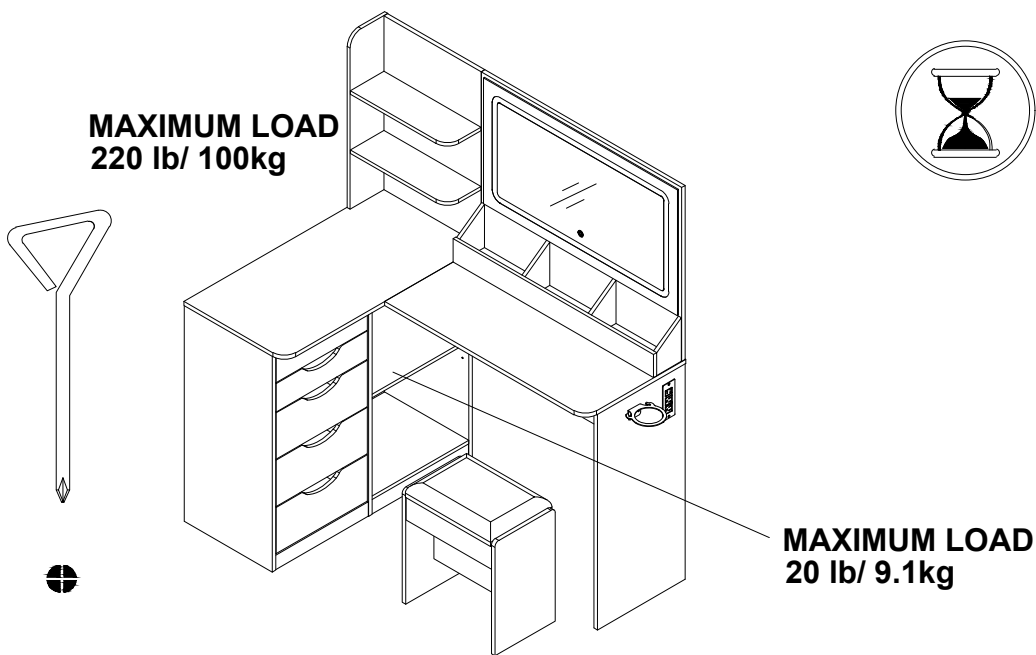


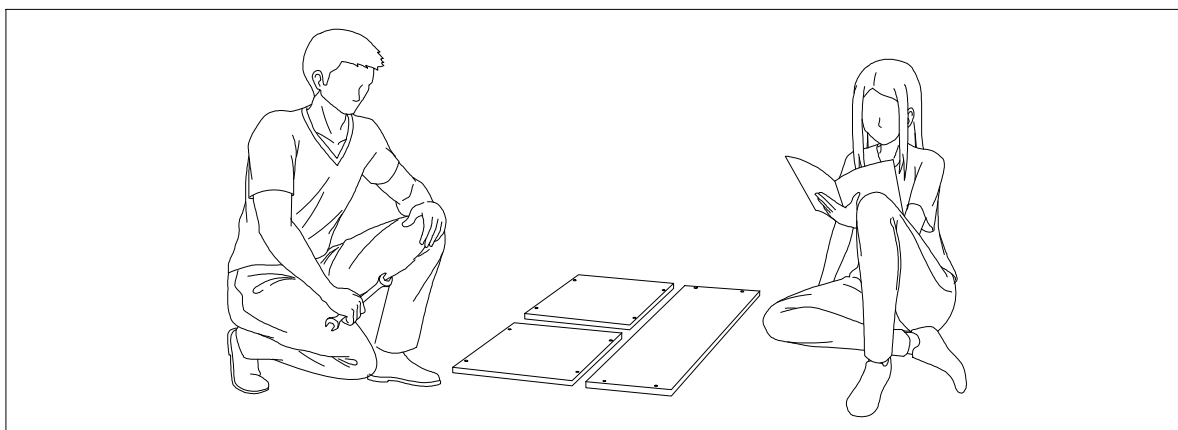
# ASSEMBLY INSTRUCTIONS



# WARNING !



**Assembly the furniture on empty carton, carpet, or rug to prevent scratches or damage.**

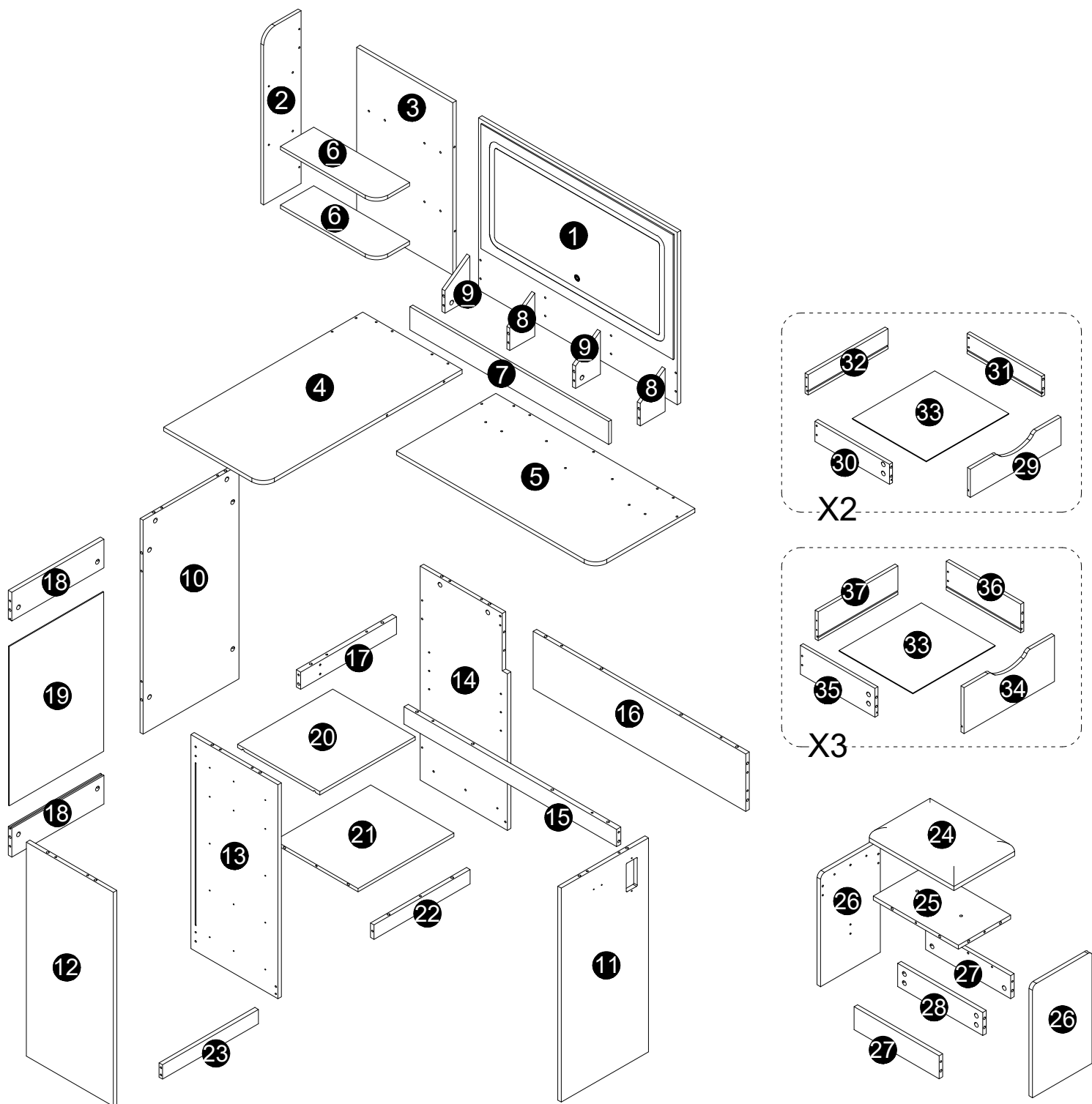


**This furniture requires 2 people to assembly.**

**Make sure no parts are missing or damaged before assembly.**

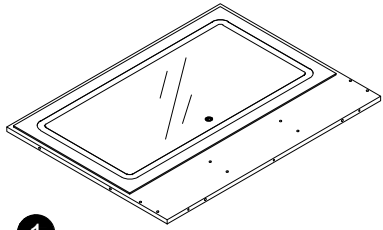
# Board Identification

Not actual size

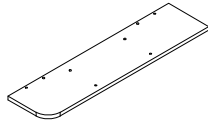


# BOARD IDENTIFICATION

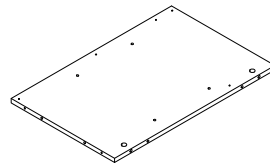
Not actual size



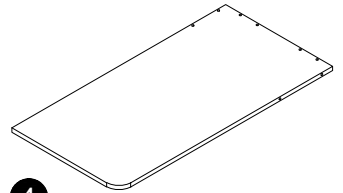
1



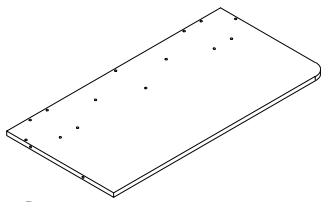
2



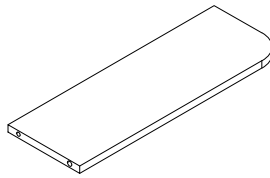
3



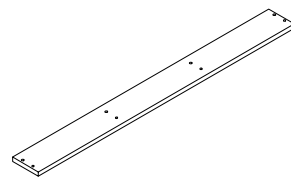
4



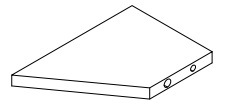
5



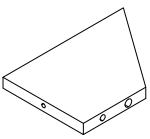
6 x2



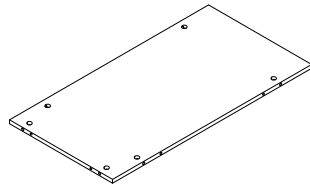
7



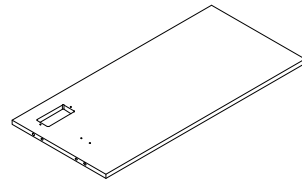
8 x2



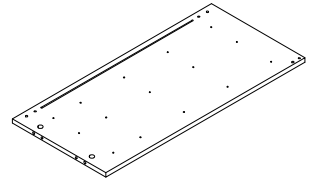
9 x2



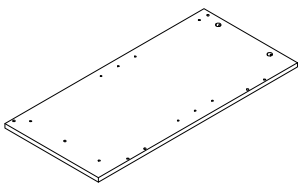
10



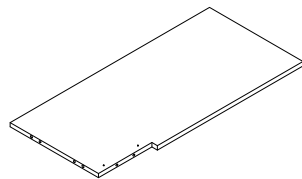
11



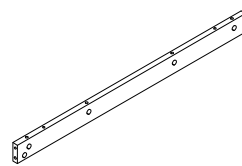
12



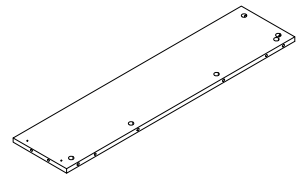
13



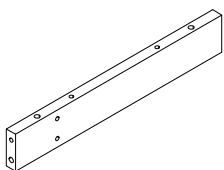
14



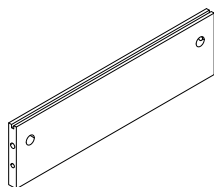
15



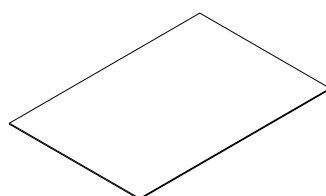
16



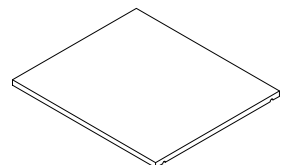
17



18 x2



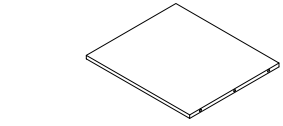
19



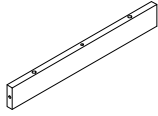
20

# BOARD IDENTIFICATION

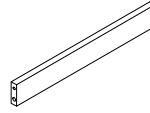
Not actual size



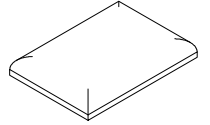
21



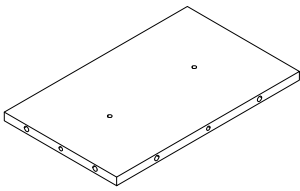
22



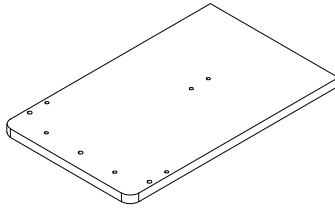
23



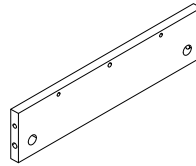
24



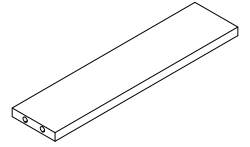
25



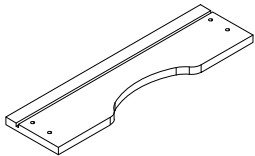
26 x2



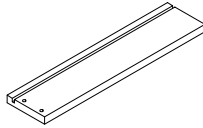
27 x2



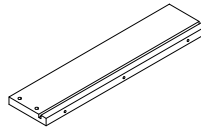
28



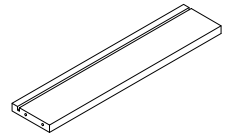
29 x2



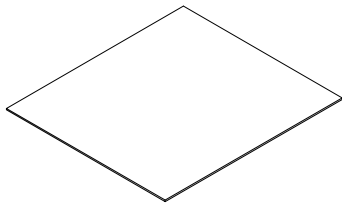
30 x2



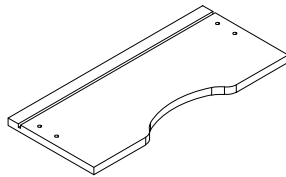
31 x2



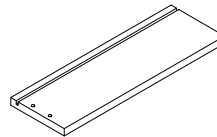
32 x2



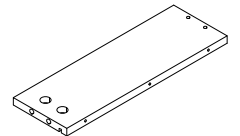
33 x5



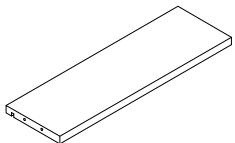
34 x3



35 x3





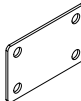
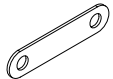


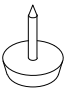

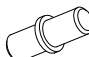
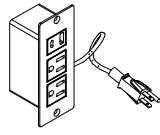
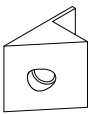

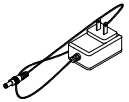
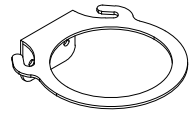
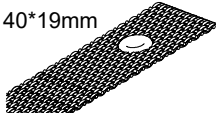



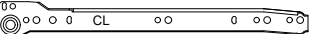
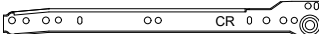
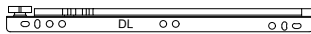



36 x3



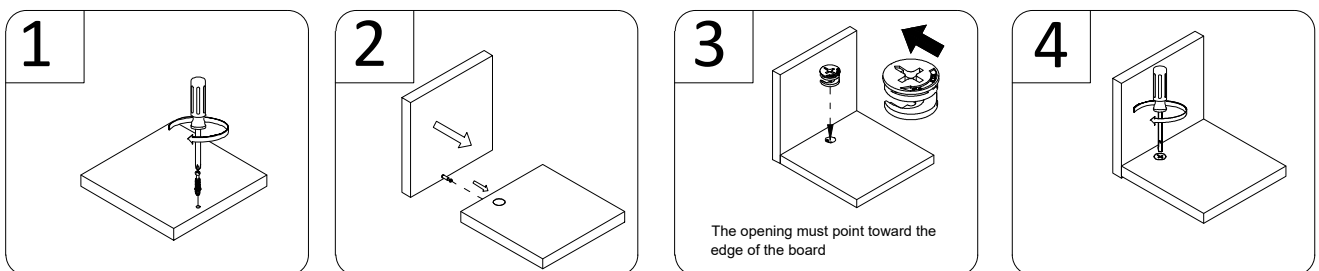
37 x3

# HARDWARE LIST

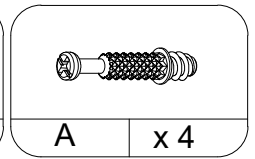
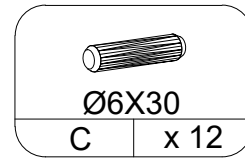
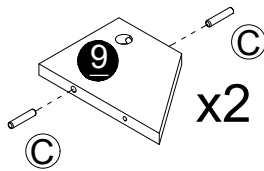
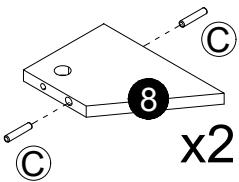
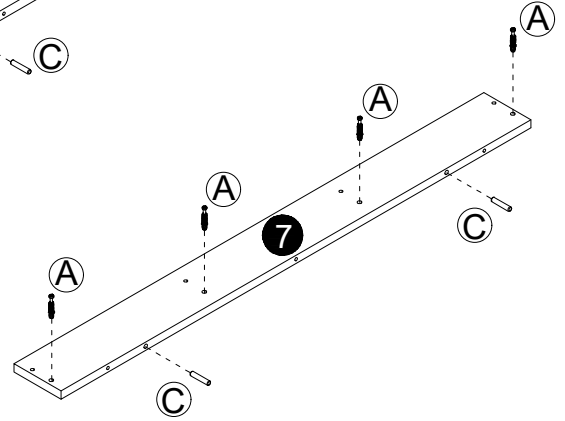
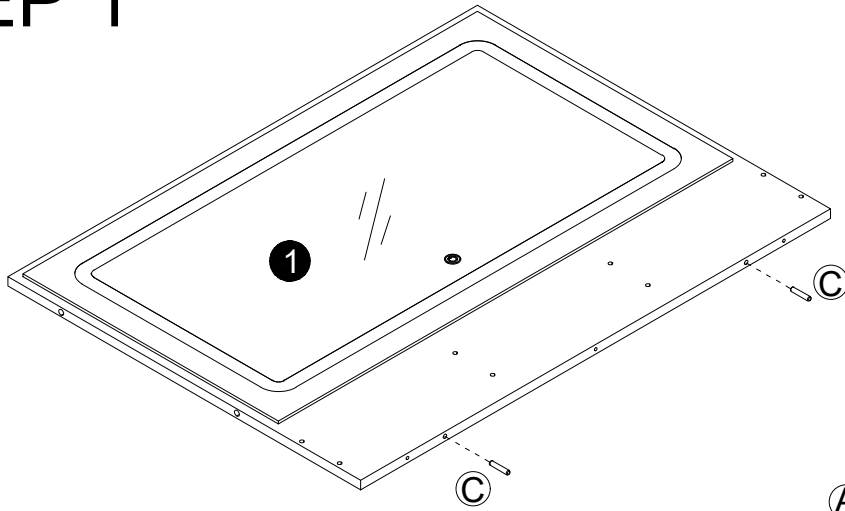
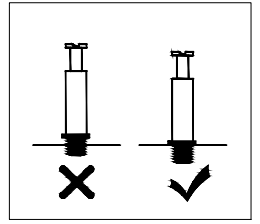
				
A	B	C	D	
x85+8	Ø15x9.5 x85+8	Ø6x30 x74+7	Ø5x38 x22+2	
				
E	F	G	H	
x2	x4	Ø5*12 x10+1	Ø3.5X12 x70+7	
				
I	J	K	L	
x12	Ø4x38 x20+2	Ø5x15 x4	x1	
				
M	N	O	P	
Ø3x15 x4+1	x1	x1	x1	
				
Q1x2 140*19mm	Q2x4 Ø16xØ6.5x1mm	R1x2 Ø6x30	R2x2 Ø4x35	S M6x25 x2+1
Q		R		
				
CL	CR	DL	DR	
x5	x5	x5	x5	

## Cam Lock Fastening System

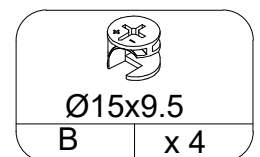
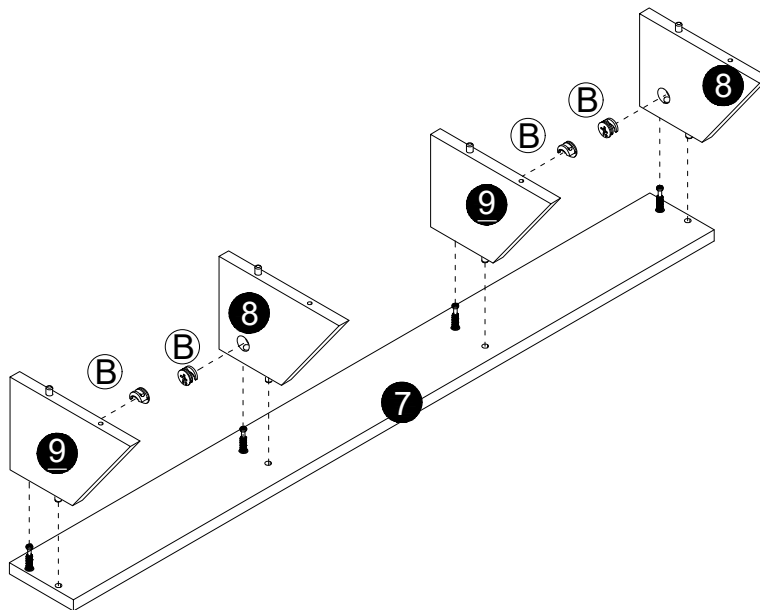
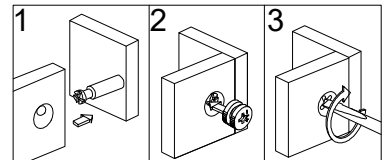
Insert the cam bolt into the hole first, then insert the cam lock and lock it.



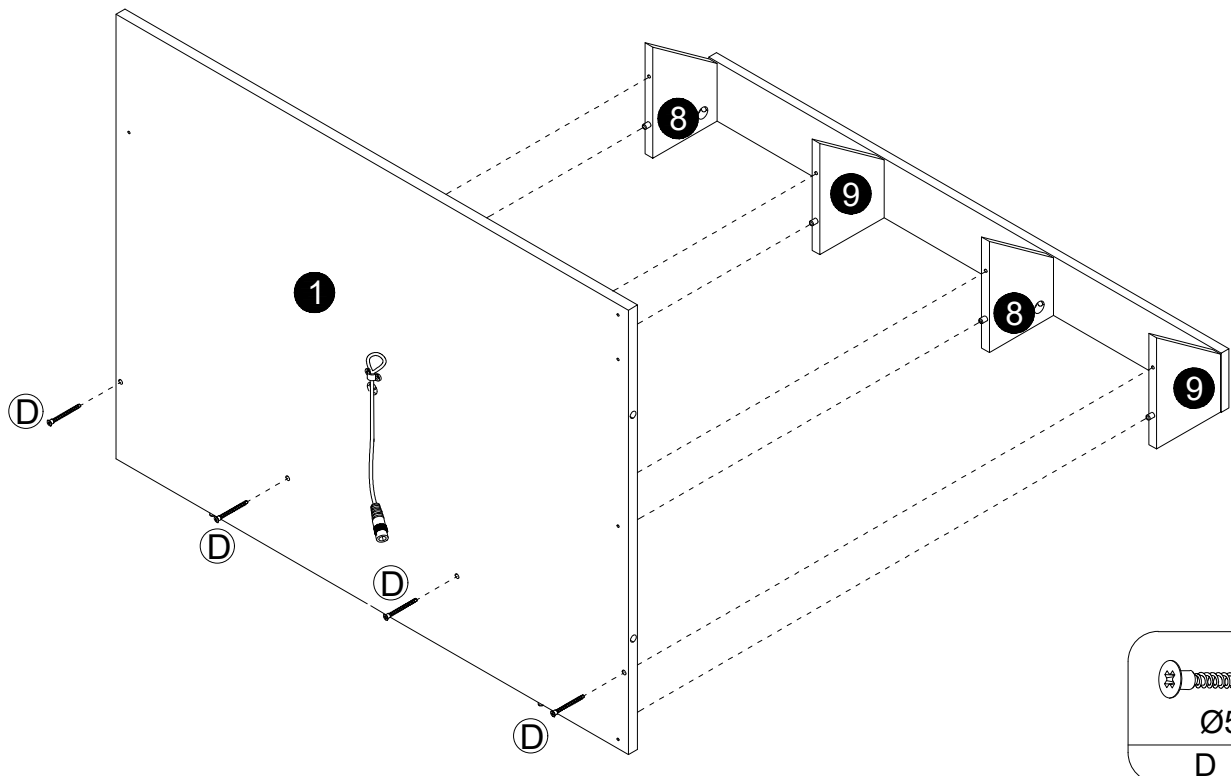
# STEP 1




# STEP 2

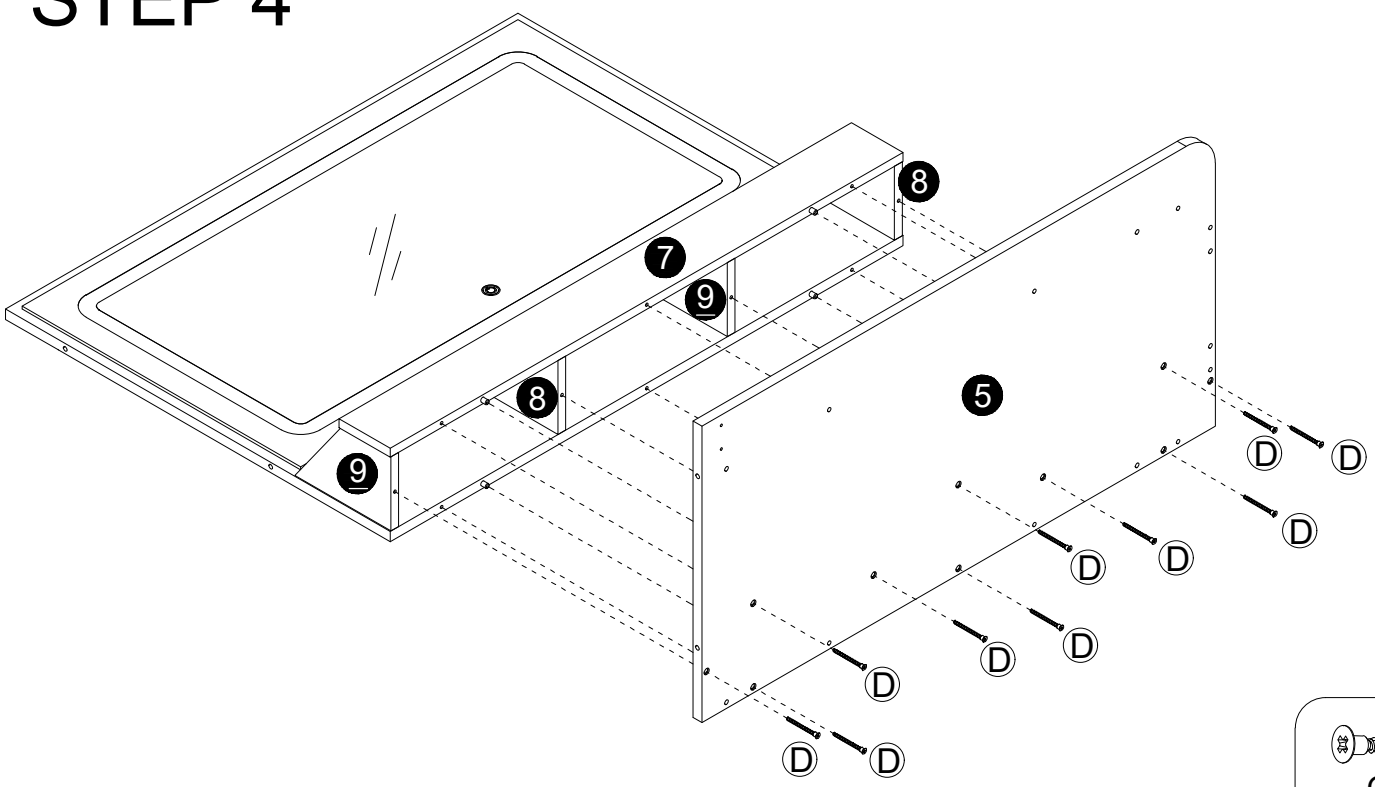



# STEP 3



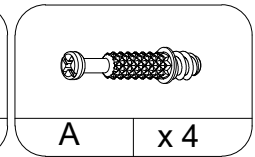
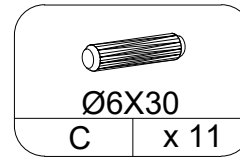
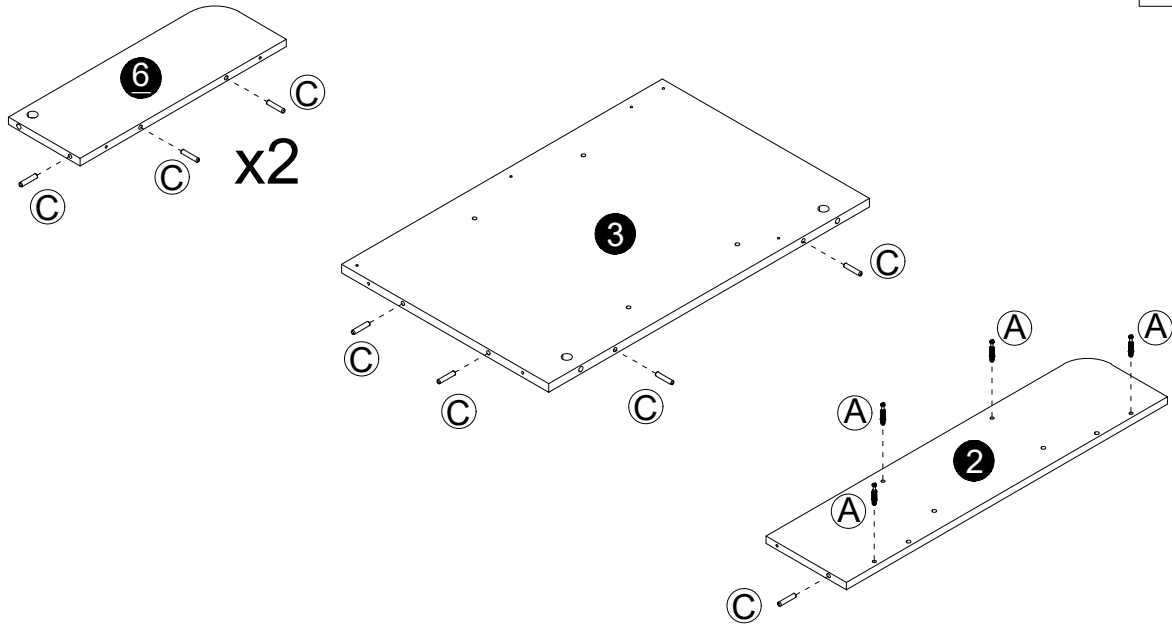
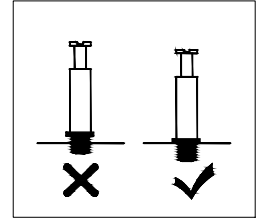
	
Ø5X38	
D	x 4

# STEP 4

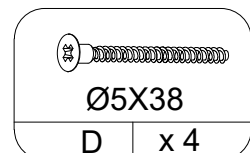
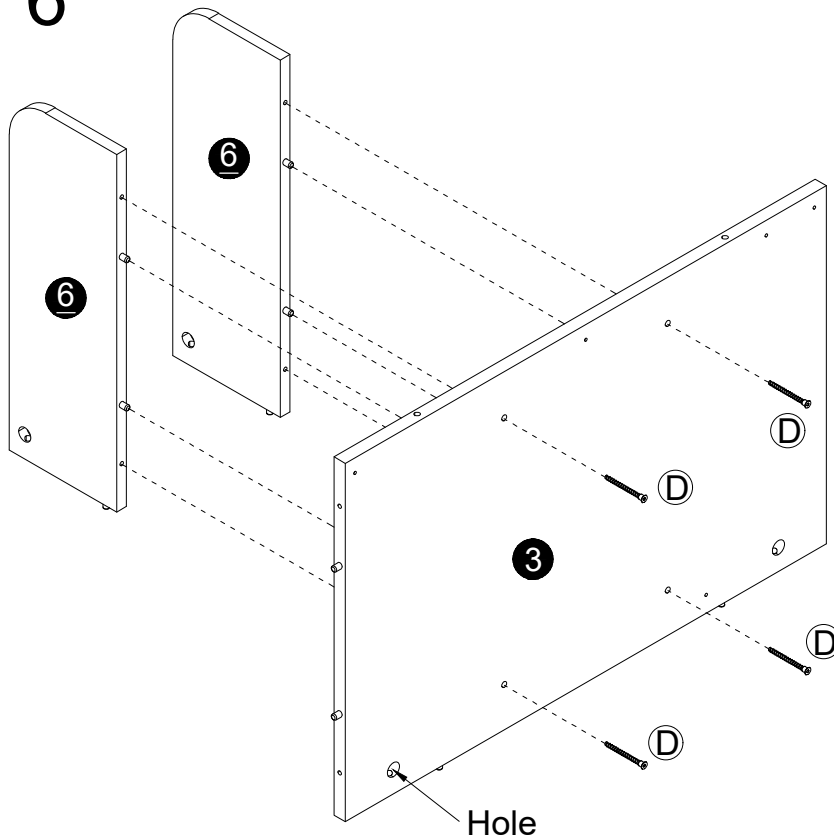


	
Ø5X38	
D	x 10

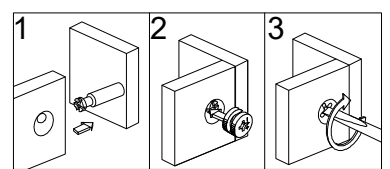
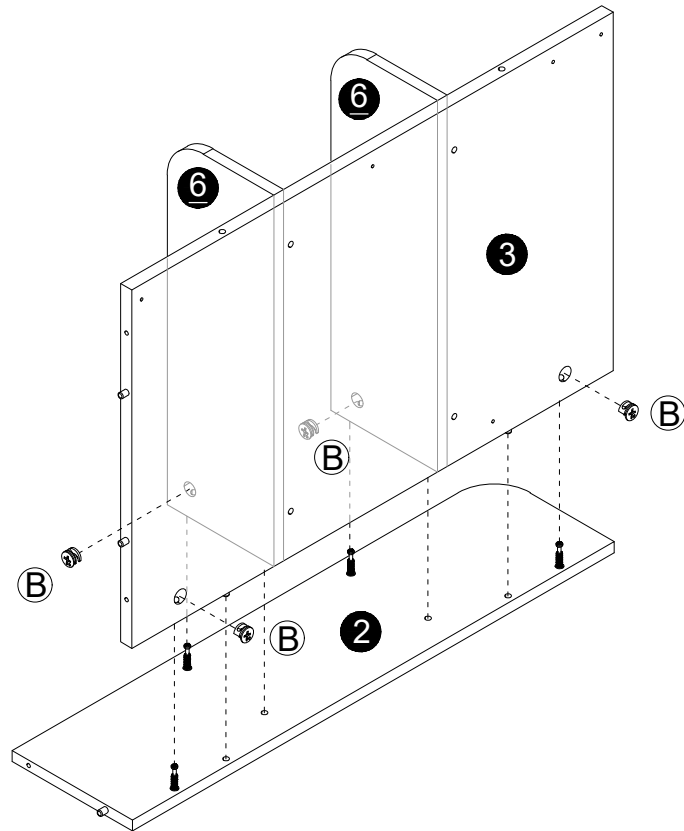
# STEP 5




# STEP 6

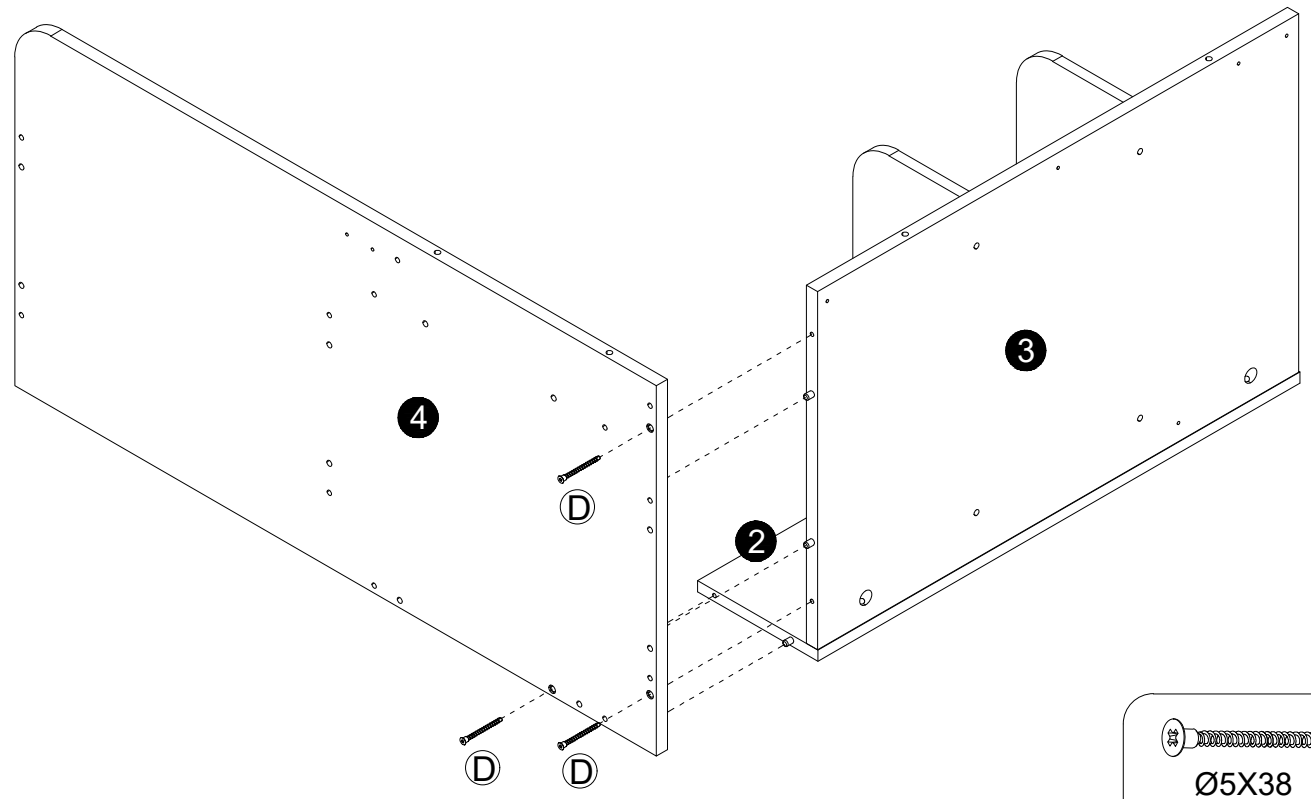



# STEP 7



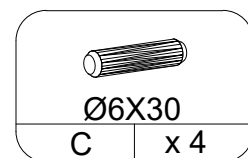
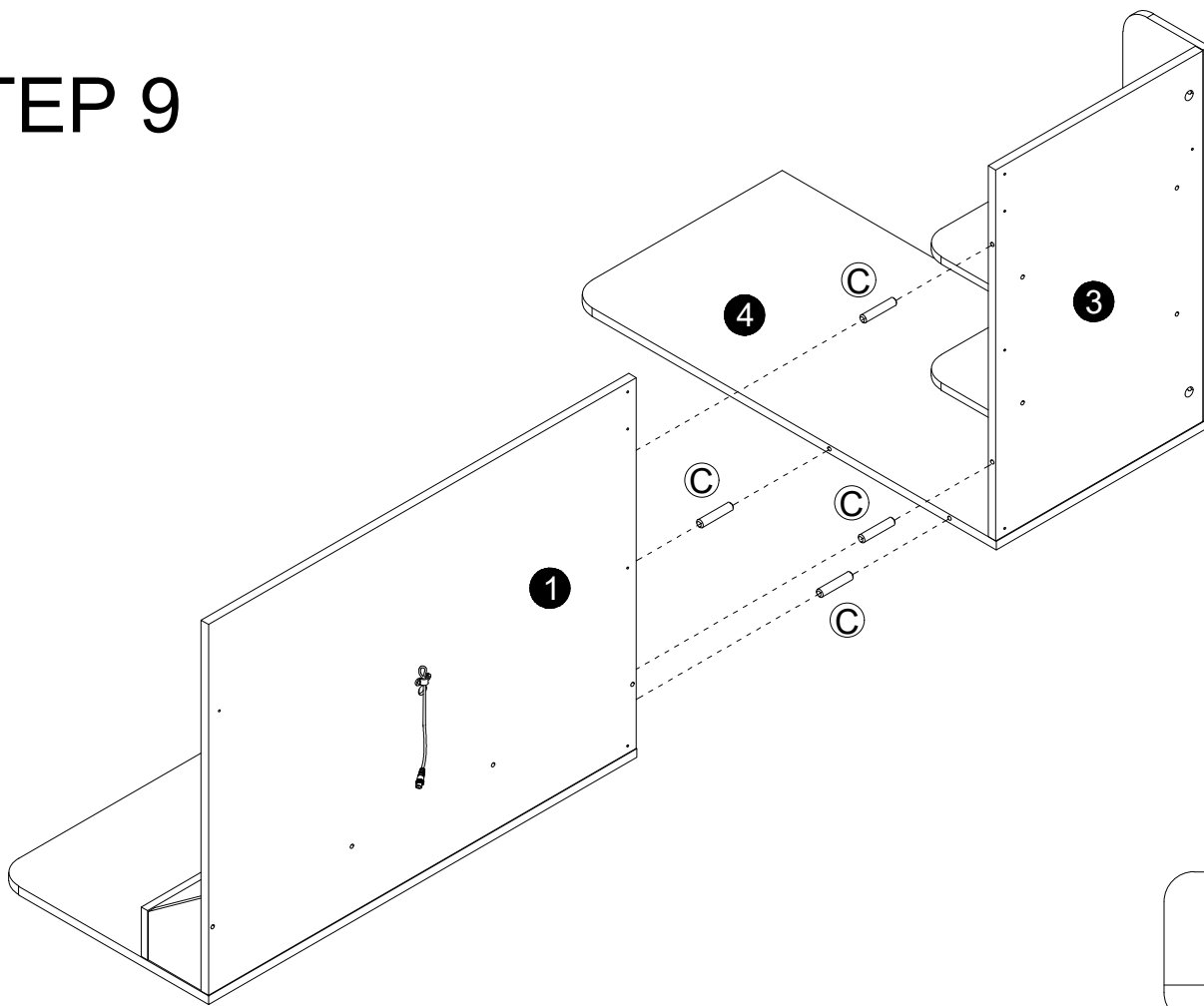
	
Ø15x9.5	
B	x 4

# STEP 8

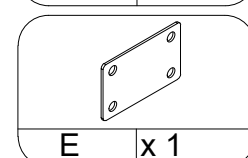
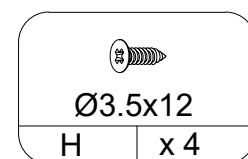
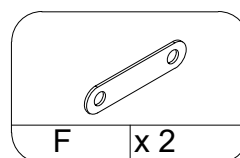
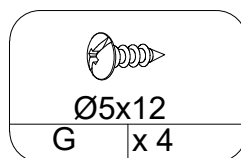
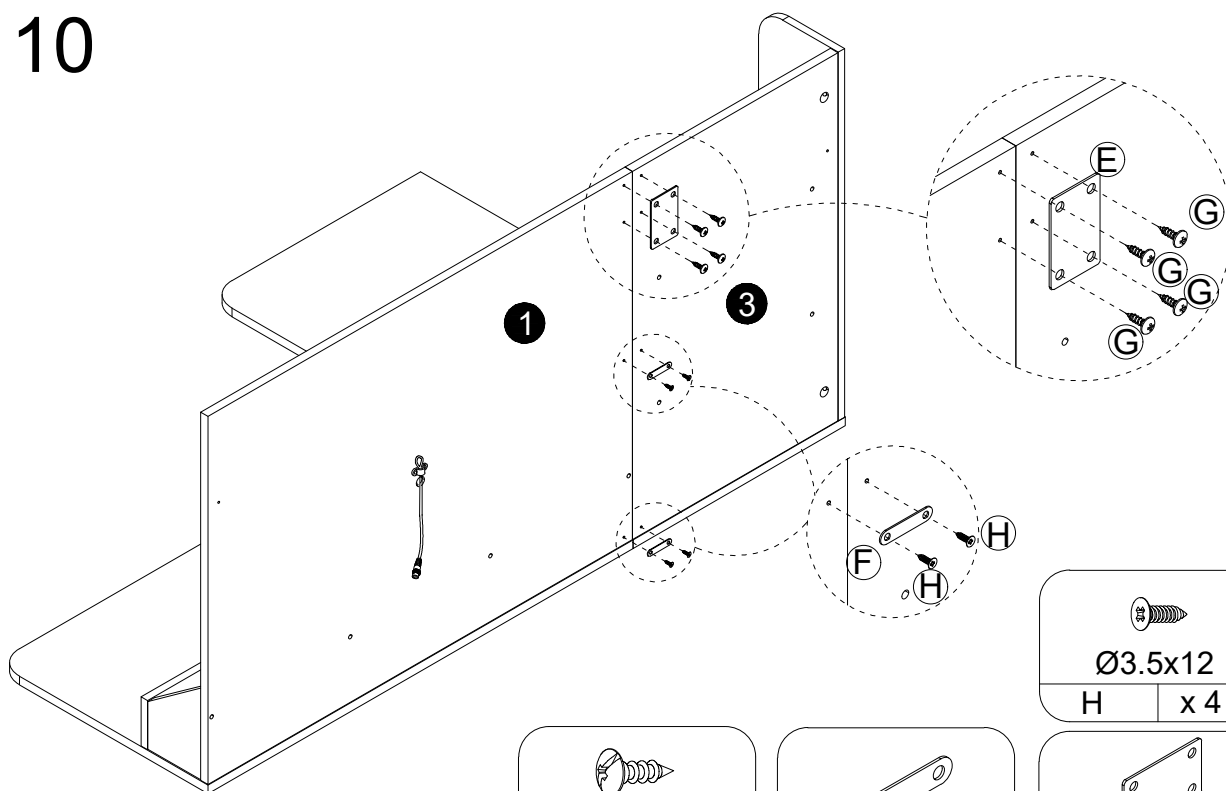


	
Ø5X38	
D	x 3

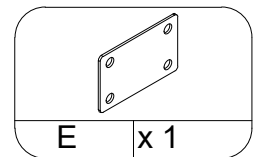
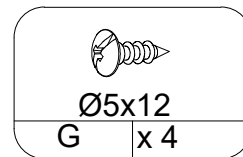
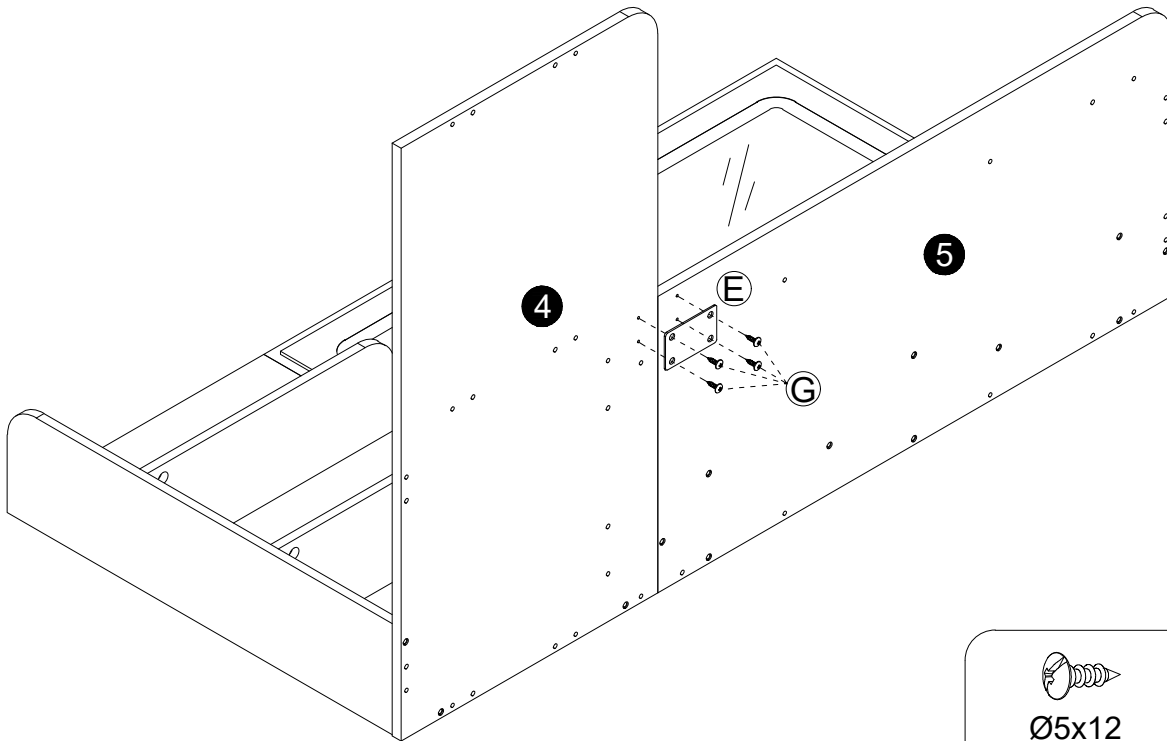
# STEP 9



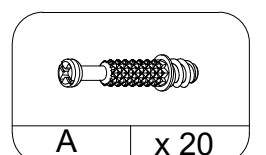
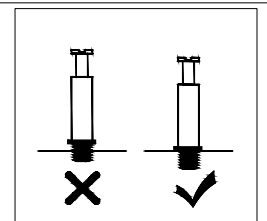
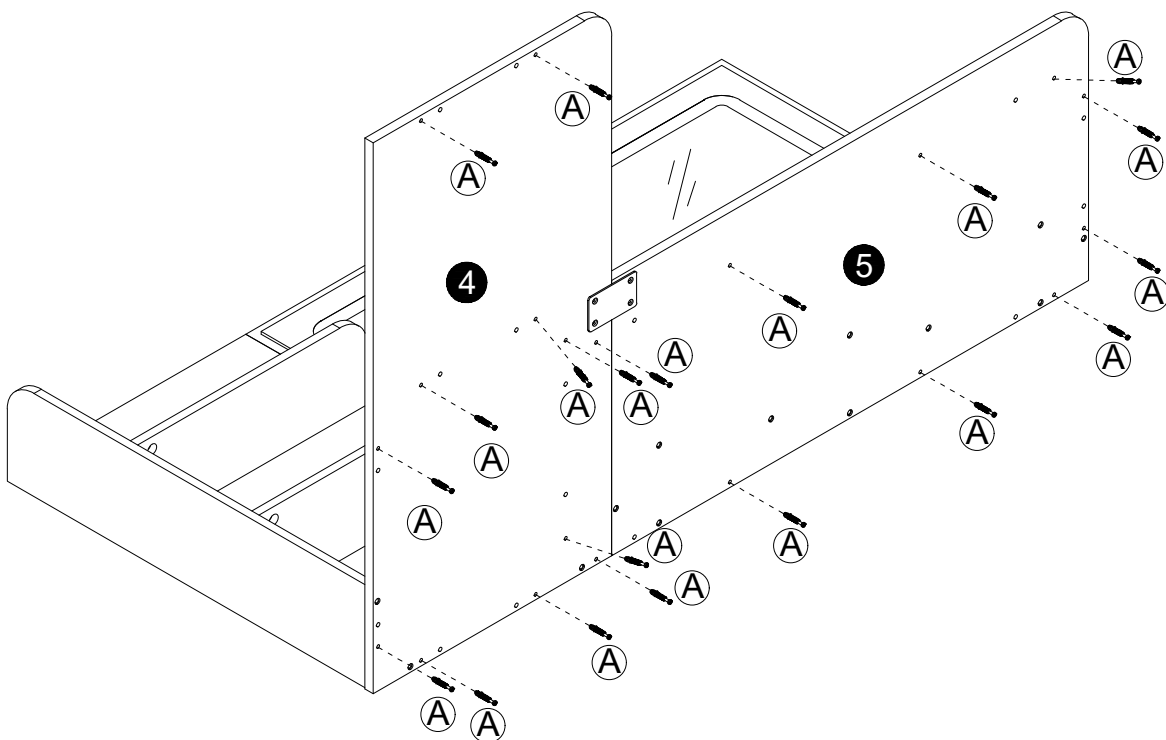
# STEP 10



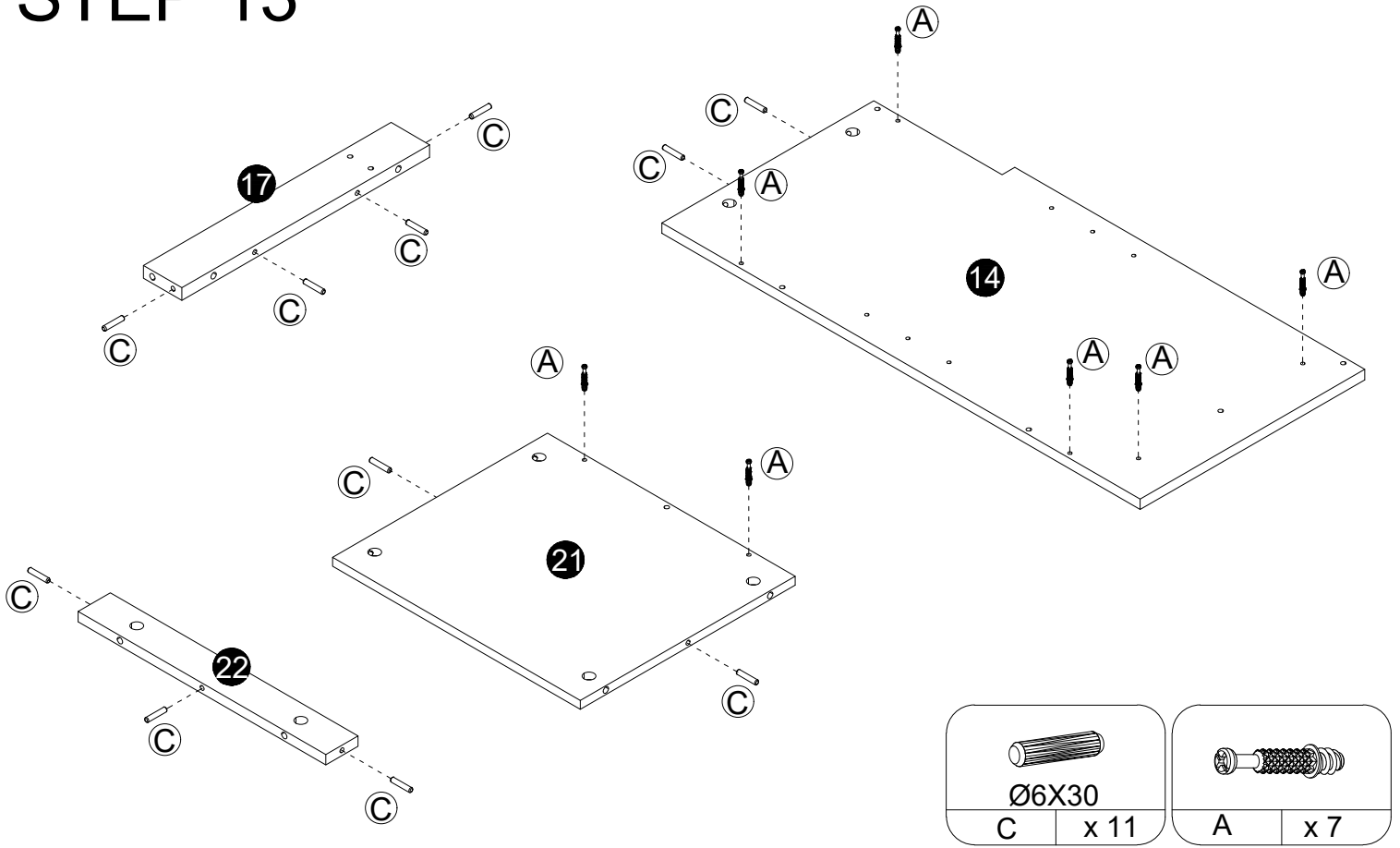
# STEP 11



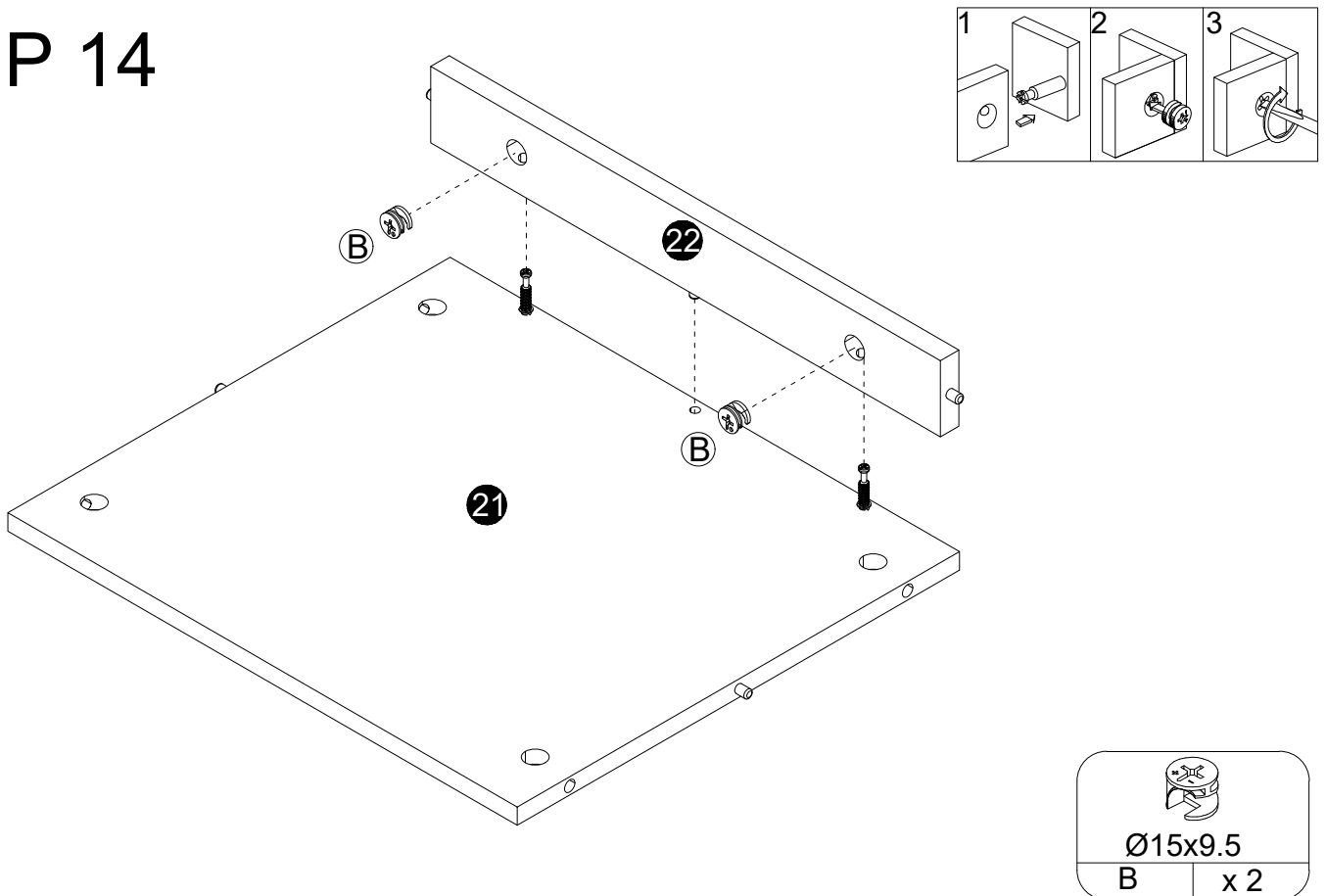
# STEP 12



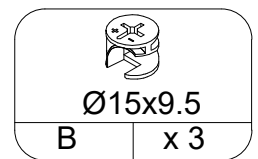
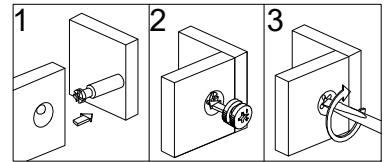
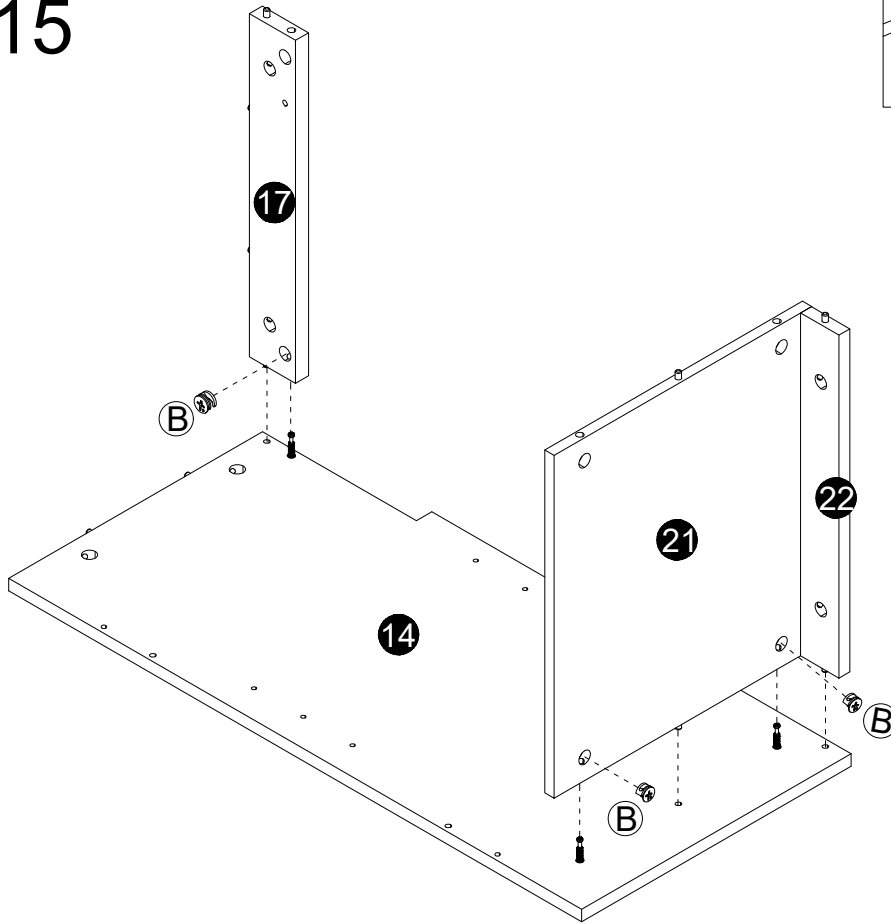
# STEP 13



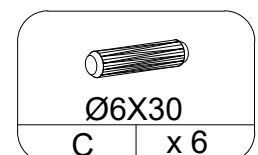
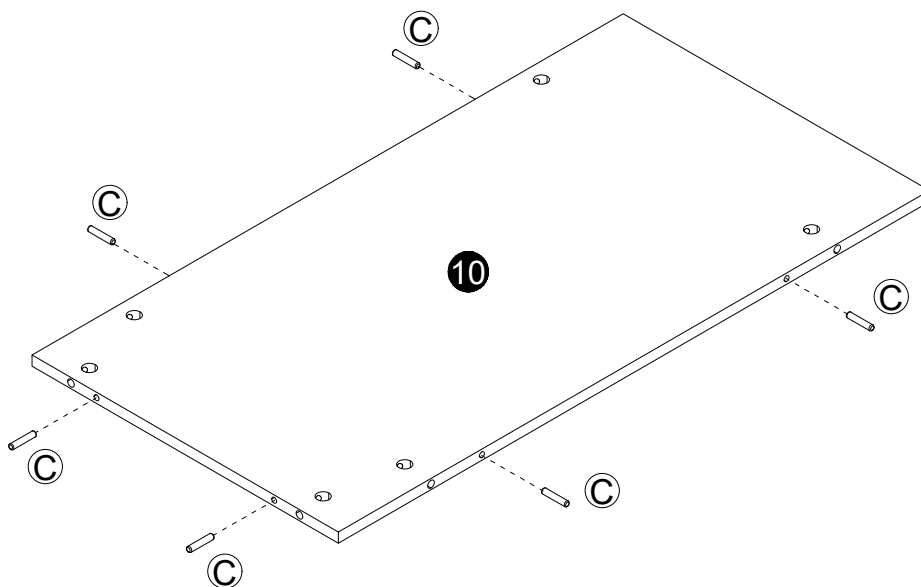
# STEP 14



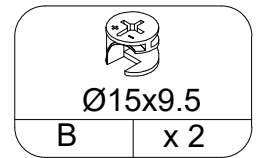
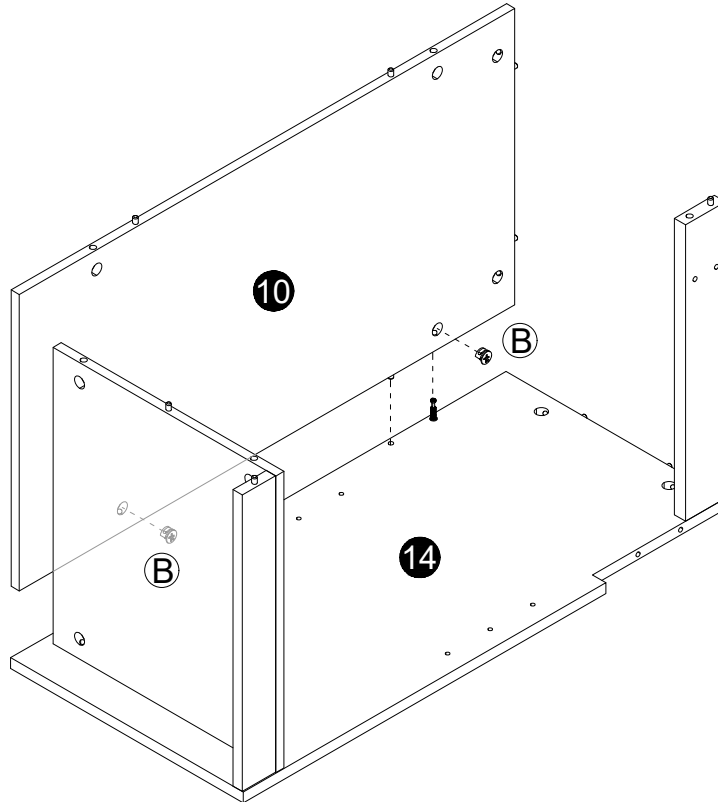
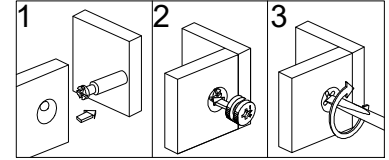
# STEP 15



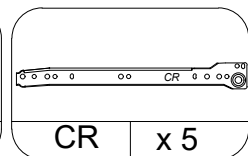
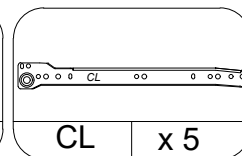
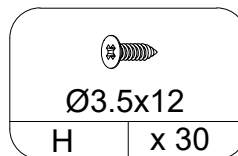
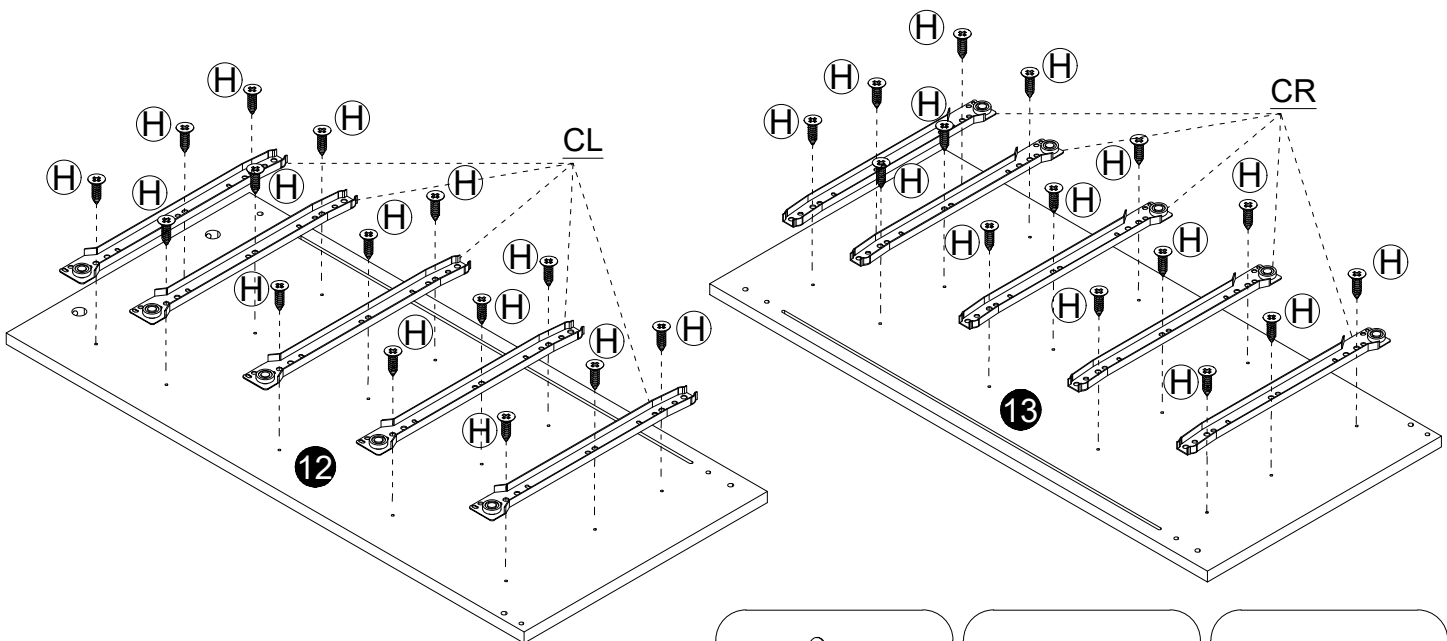
# STEP 16



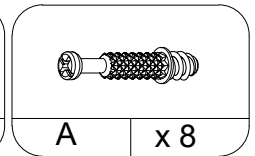
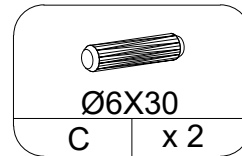
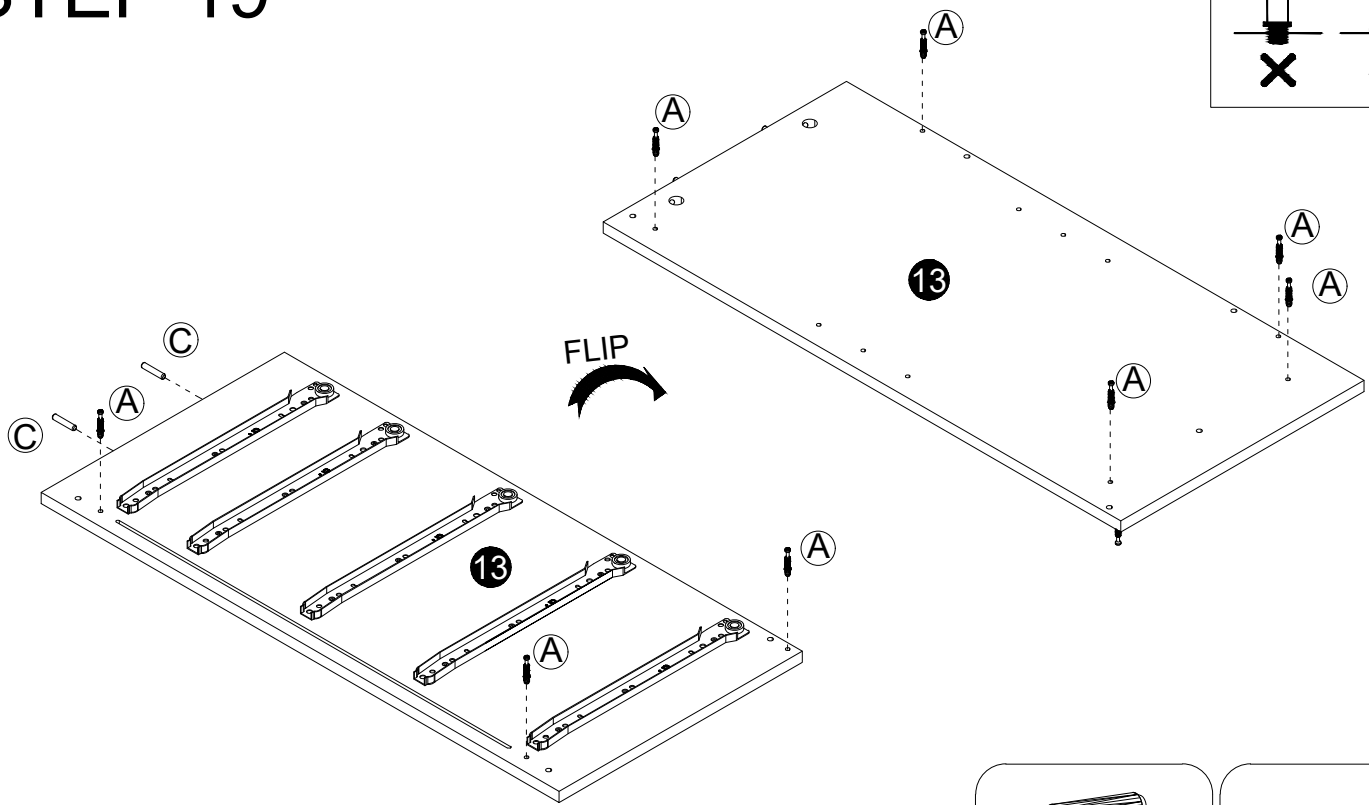
# STEP 17



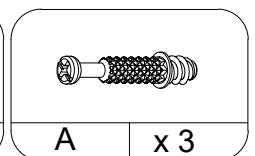
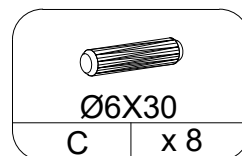
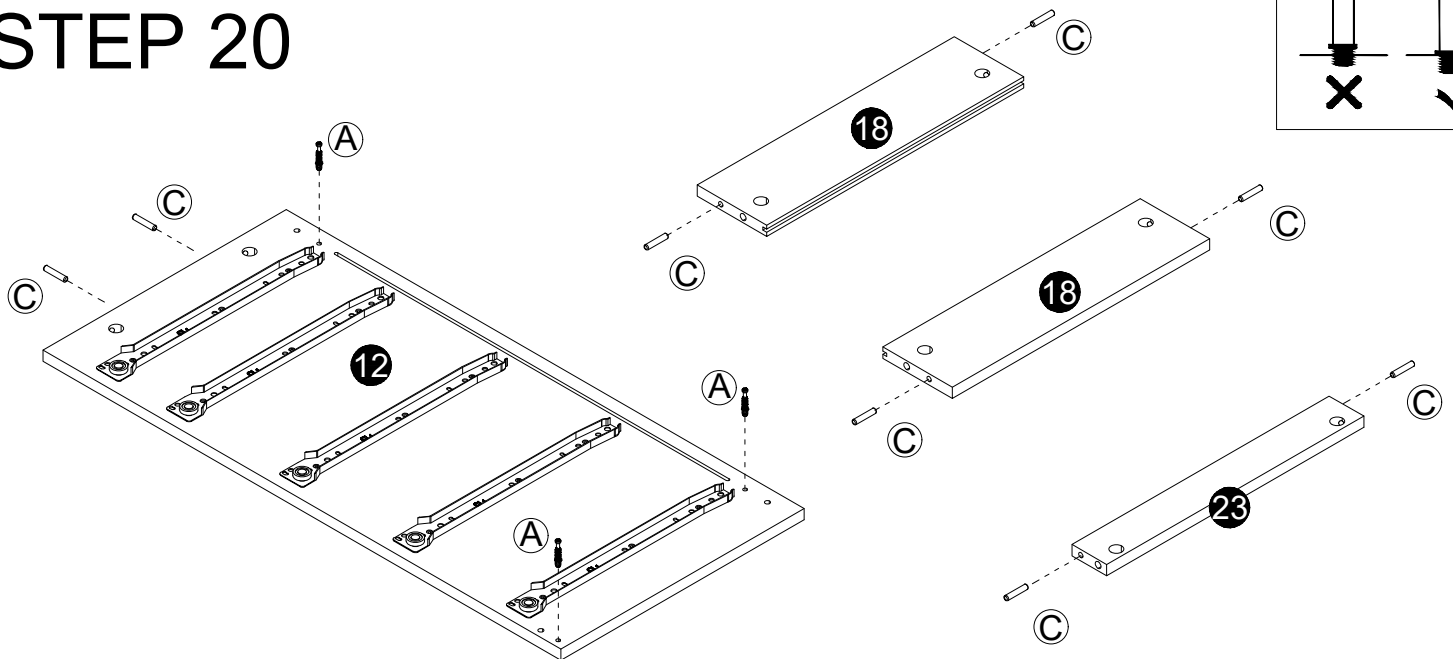
# STEP 18



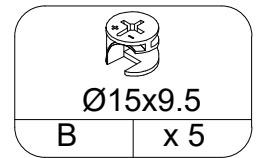
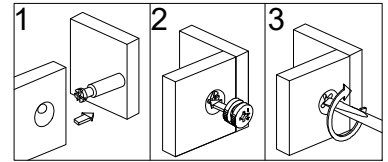
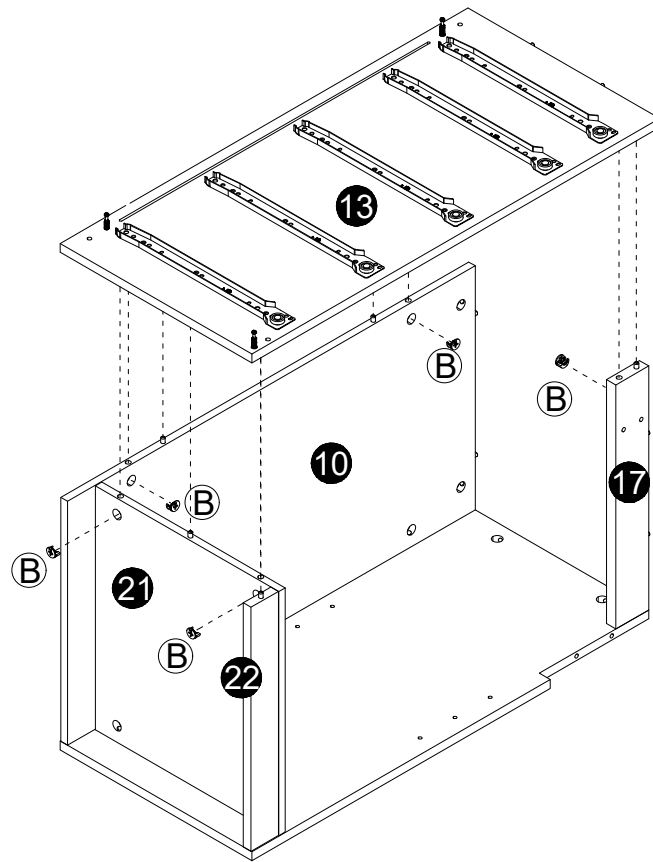
# STEP 19



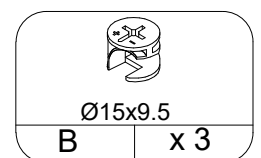
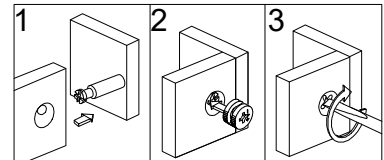
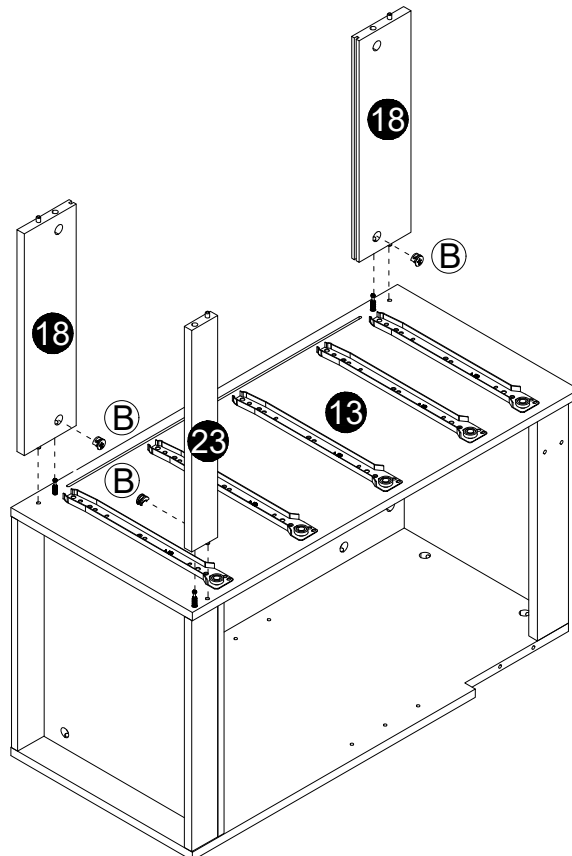
# STEP 20



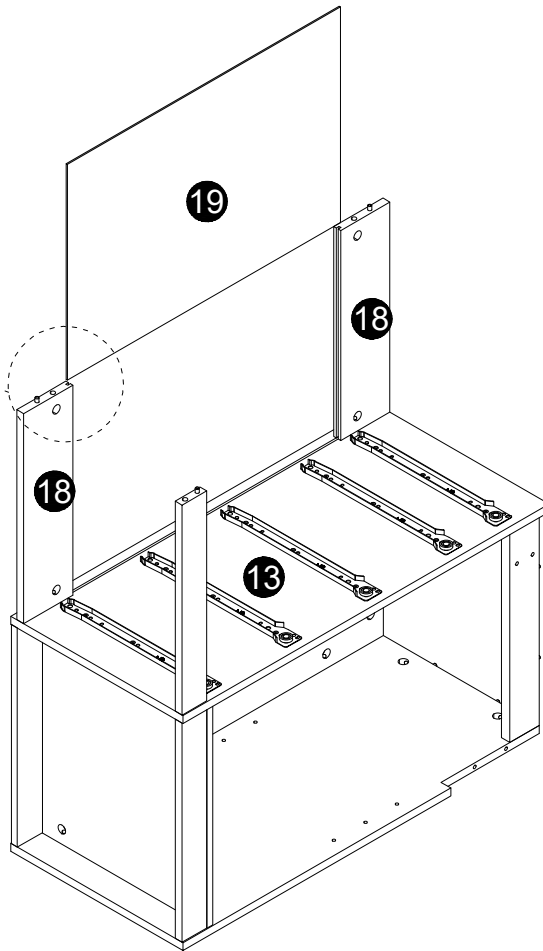
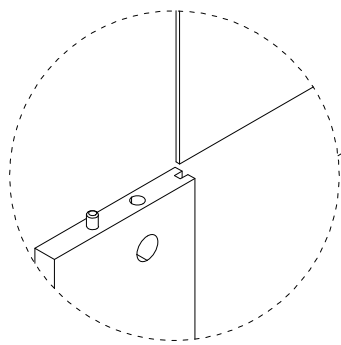
# STEP 21



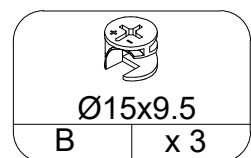
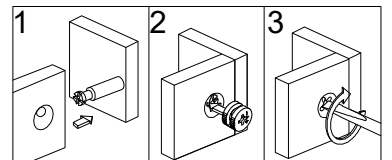
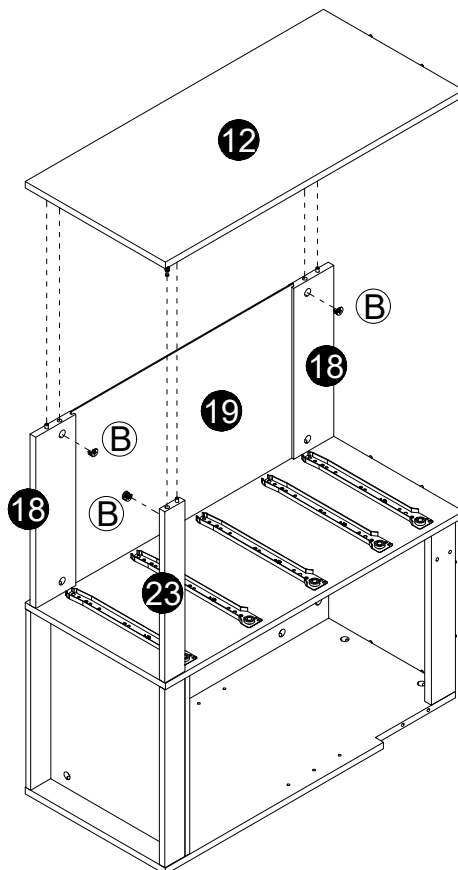
# STEP 22



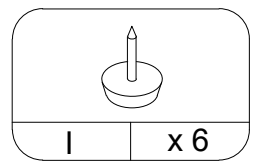
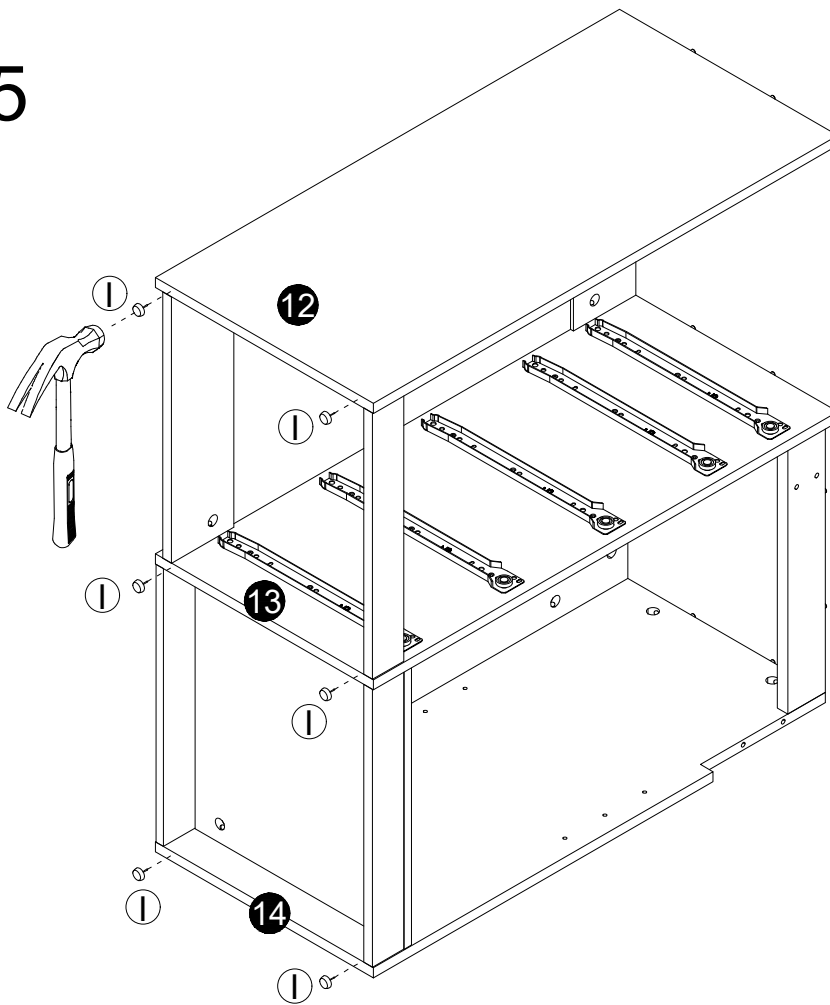
# STEP 23



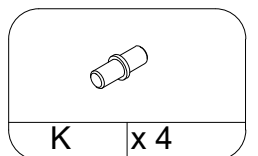
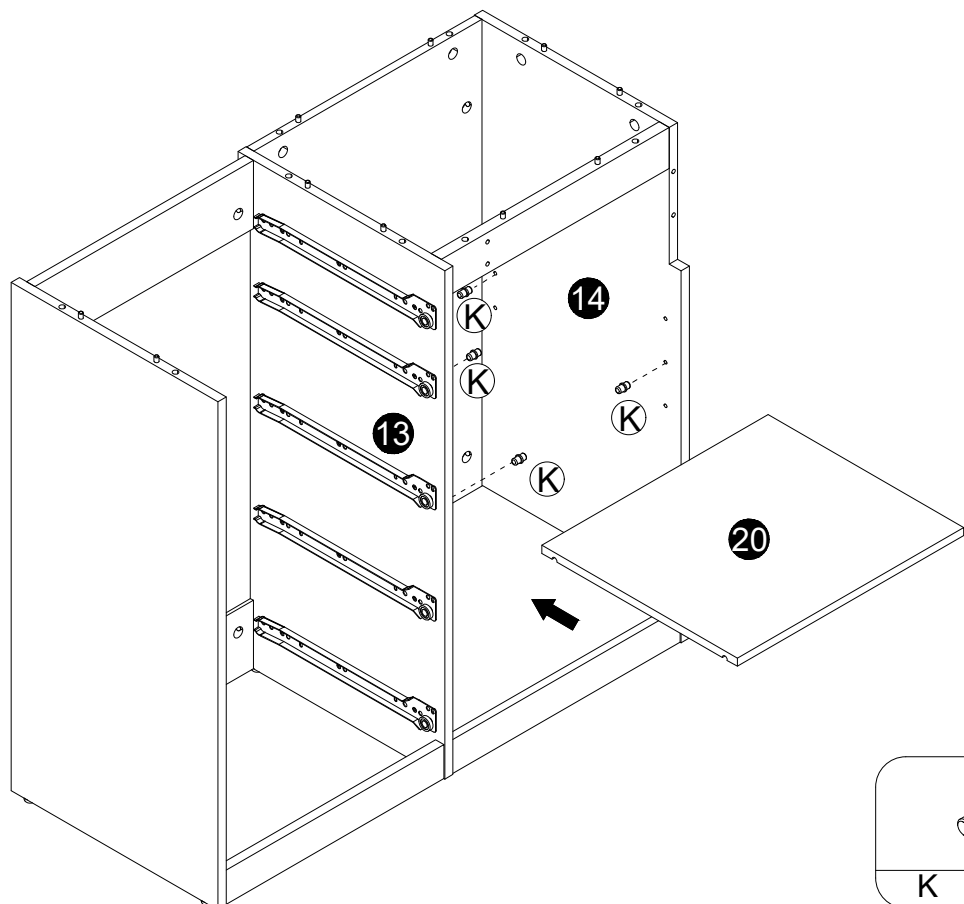
# STEP 24



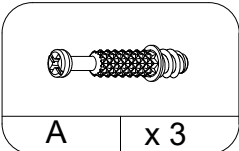
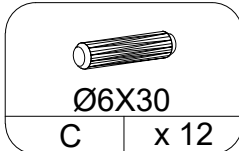
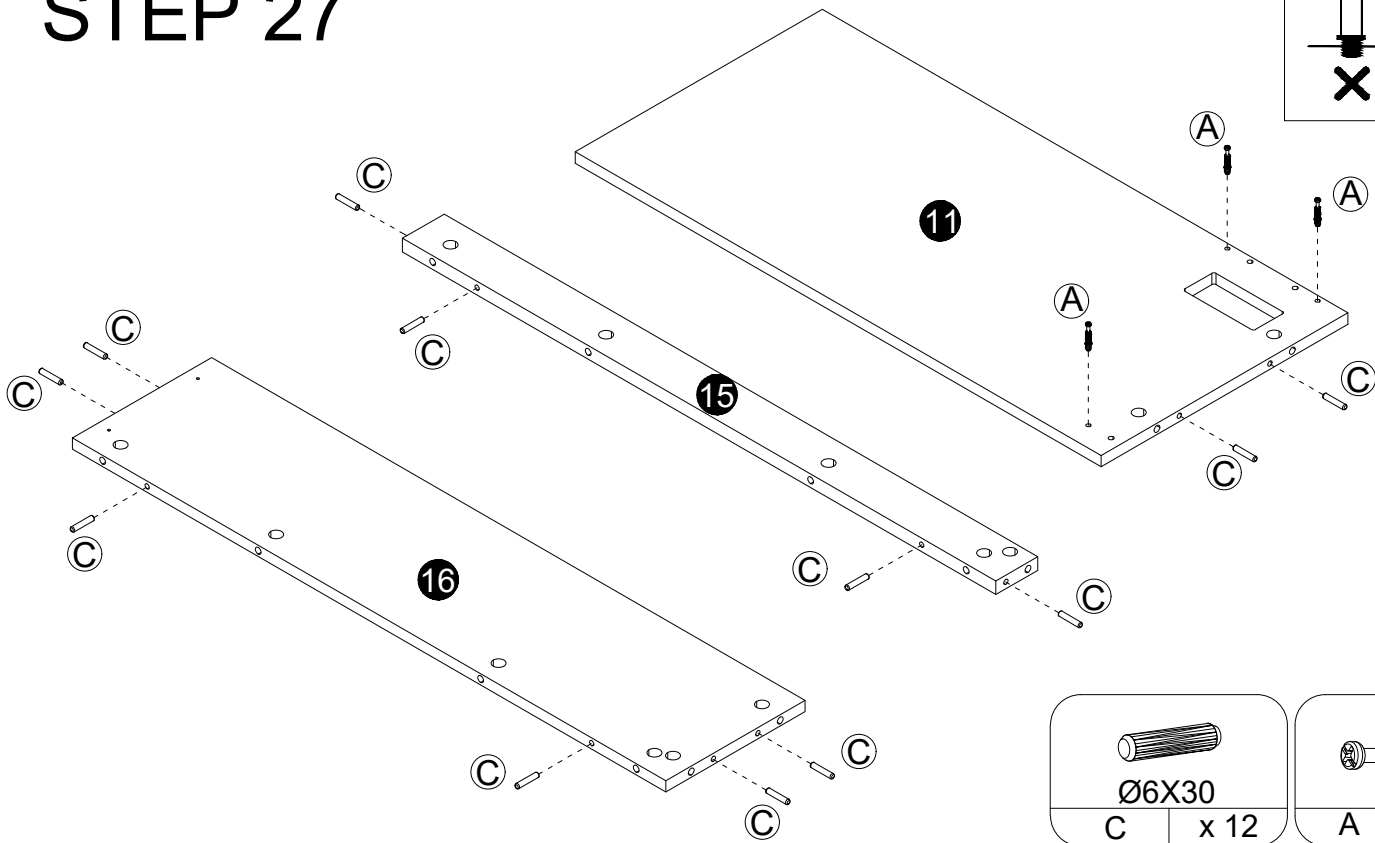
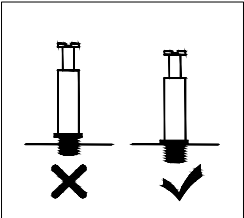
# STEP 25



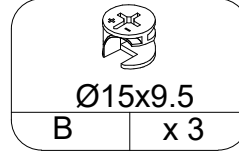
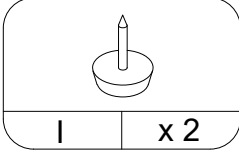
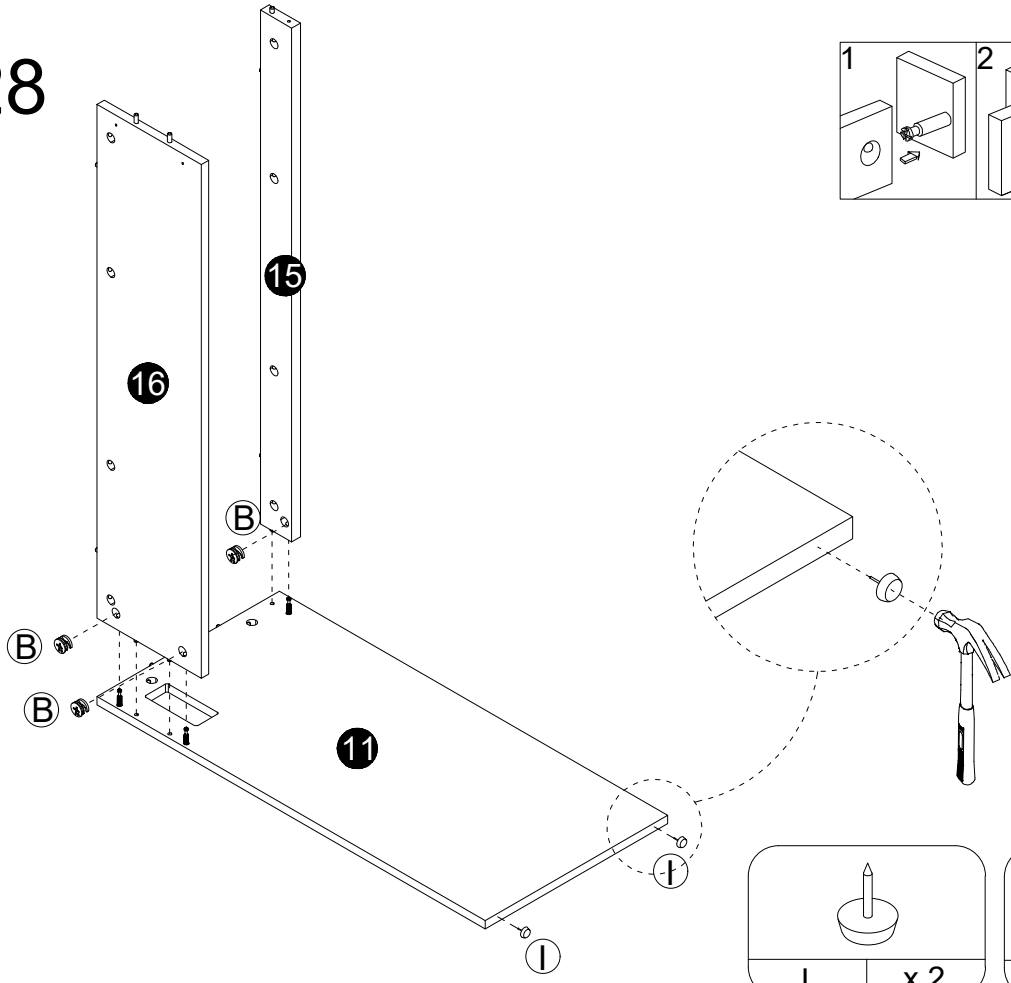
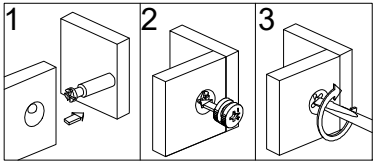
# STEP 26



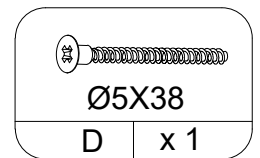
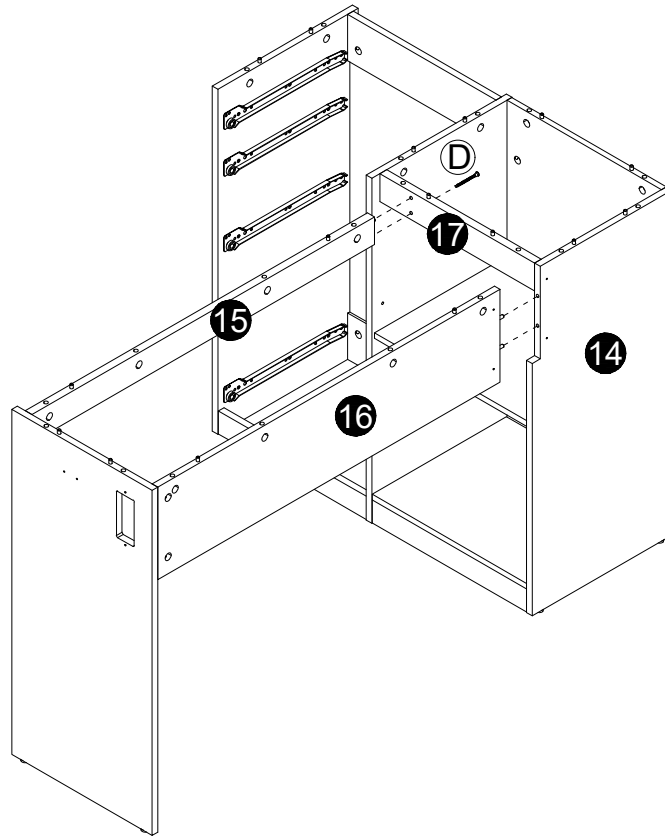
# STEP 27



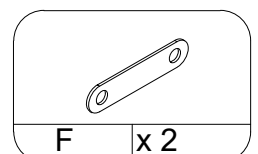
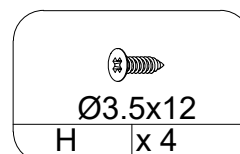
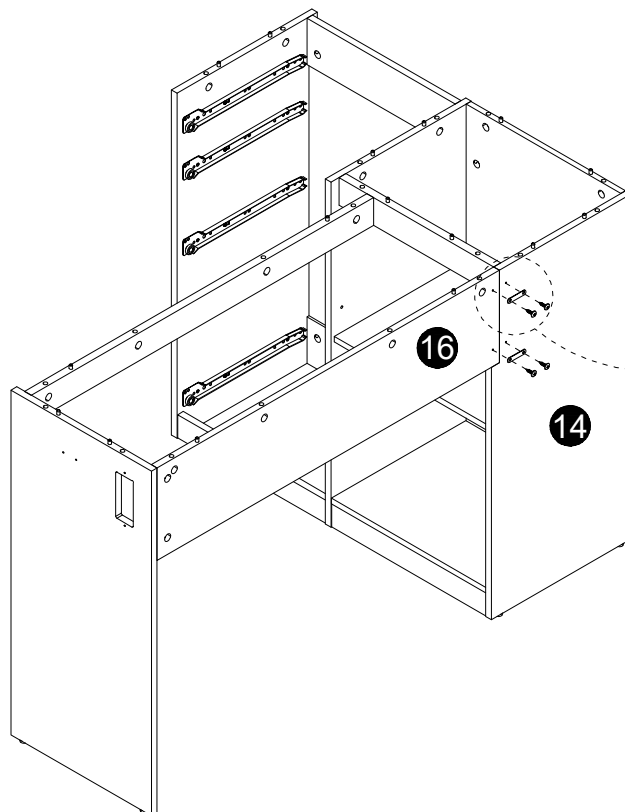
# STEP 28



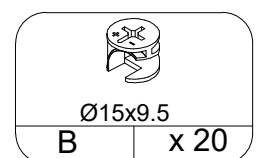
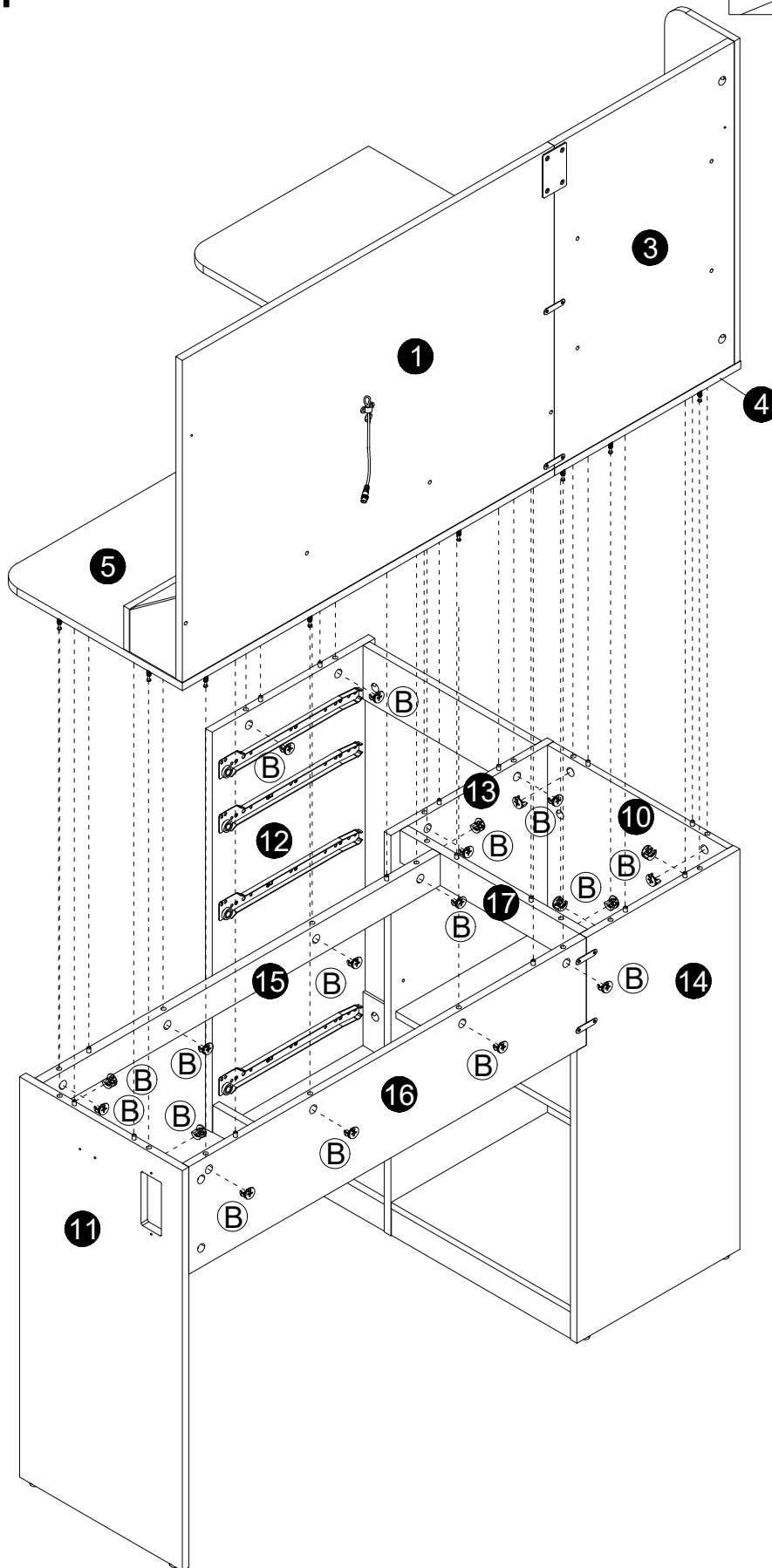
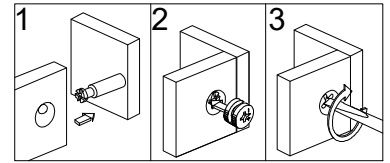
# STEP 29



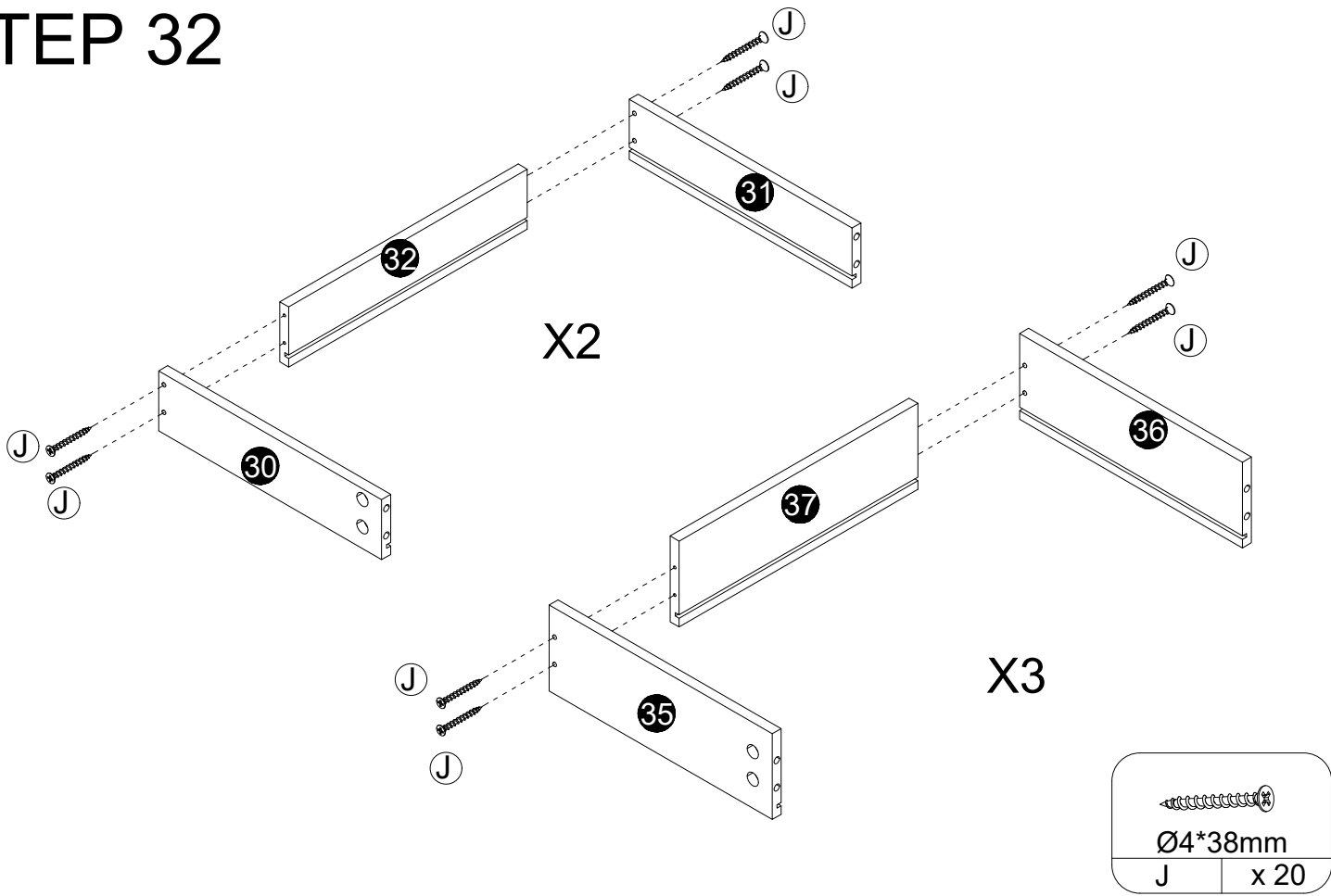
# STEP 30



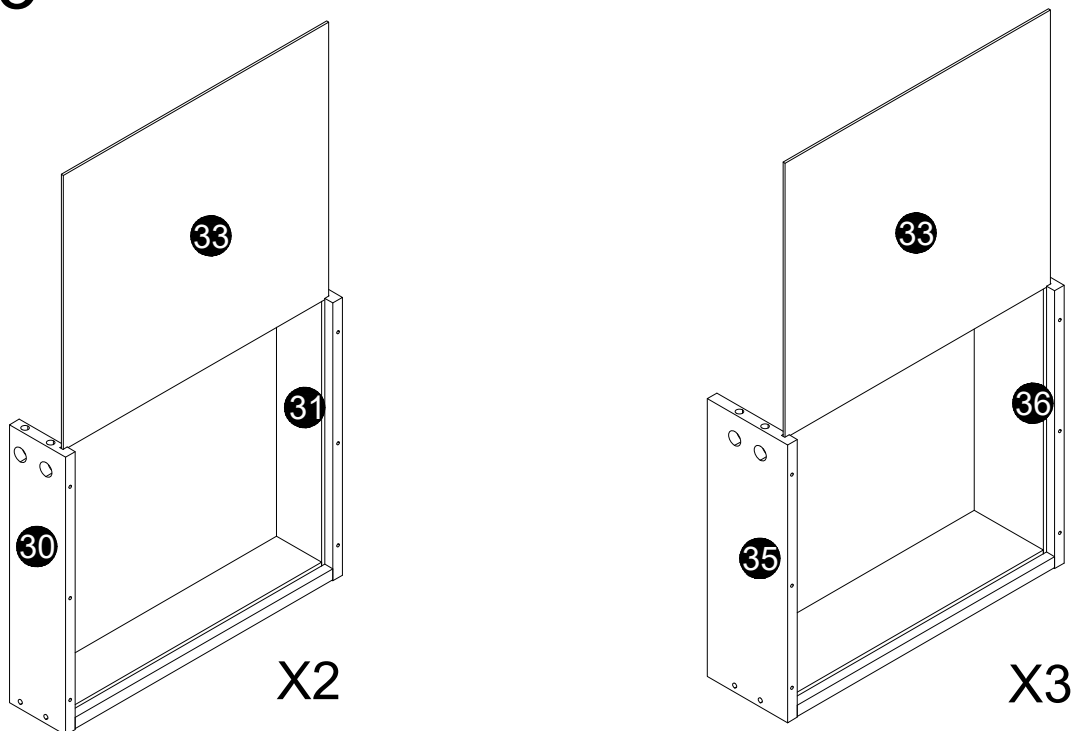
# STEP 31



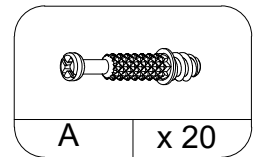
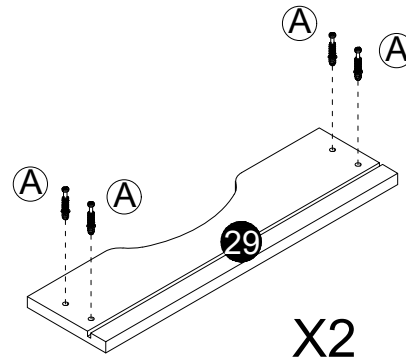
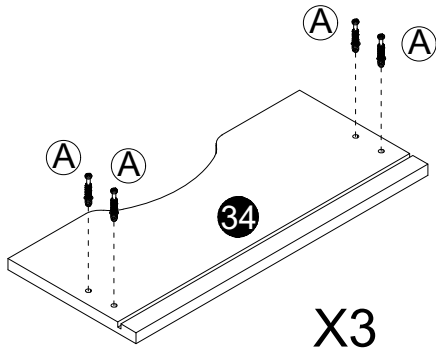
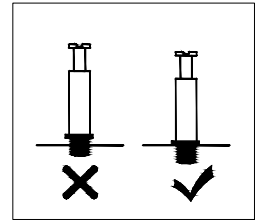
# STEP 32



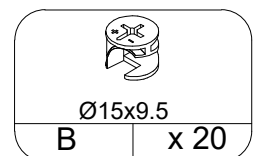
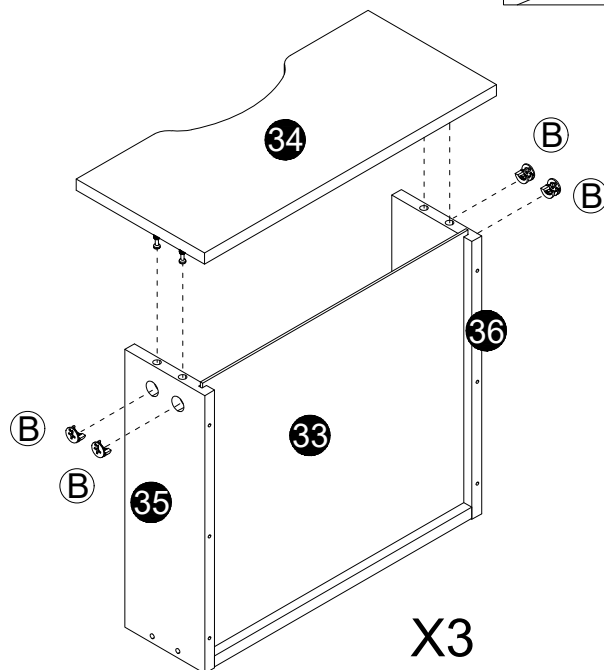
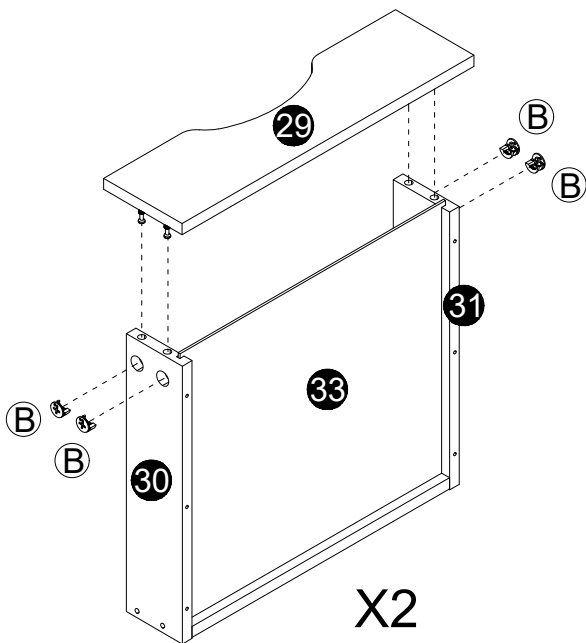
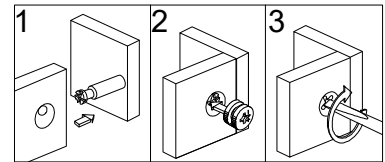
# STEP 33



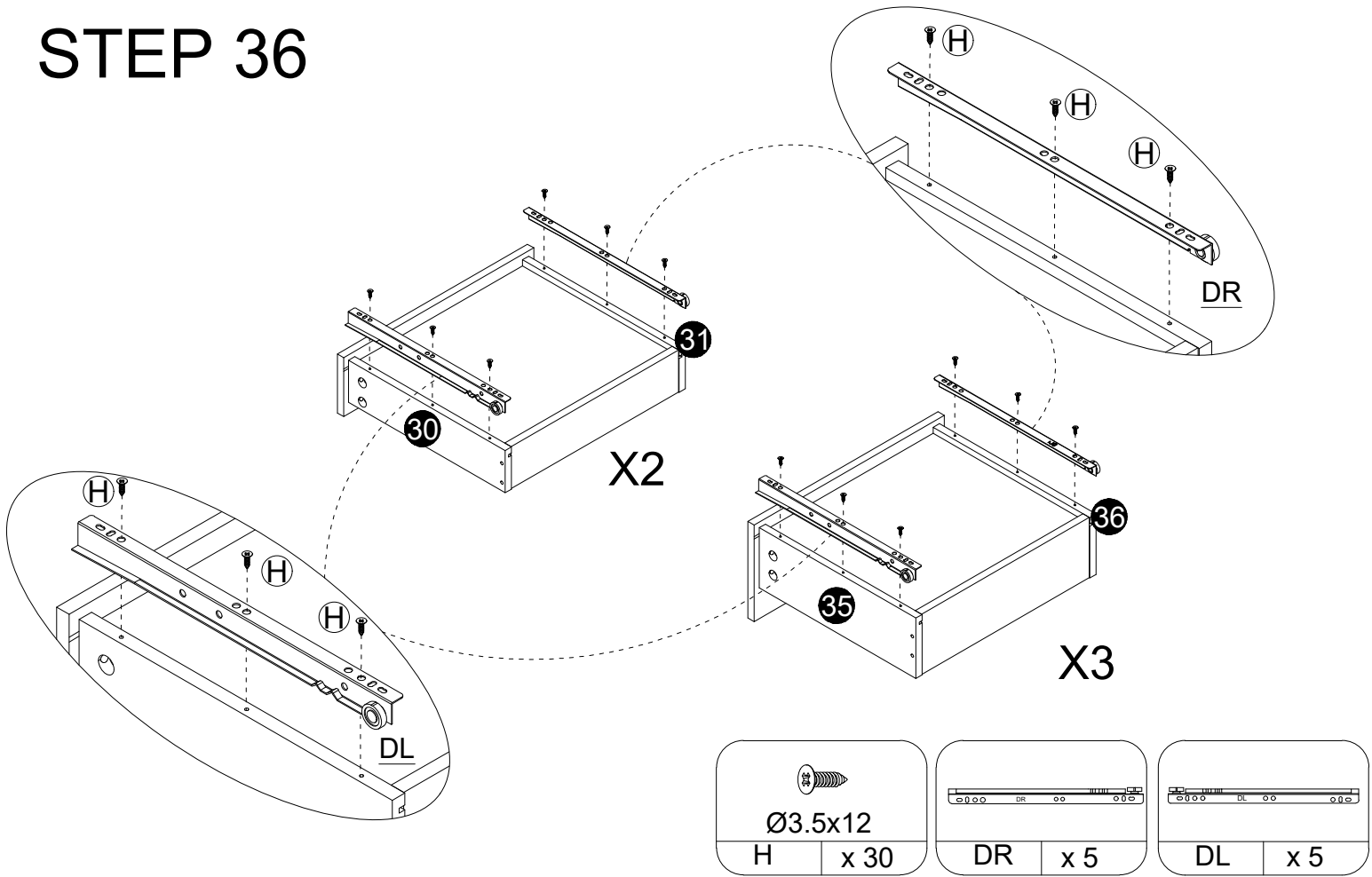
# STEP 34



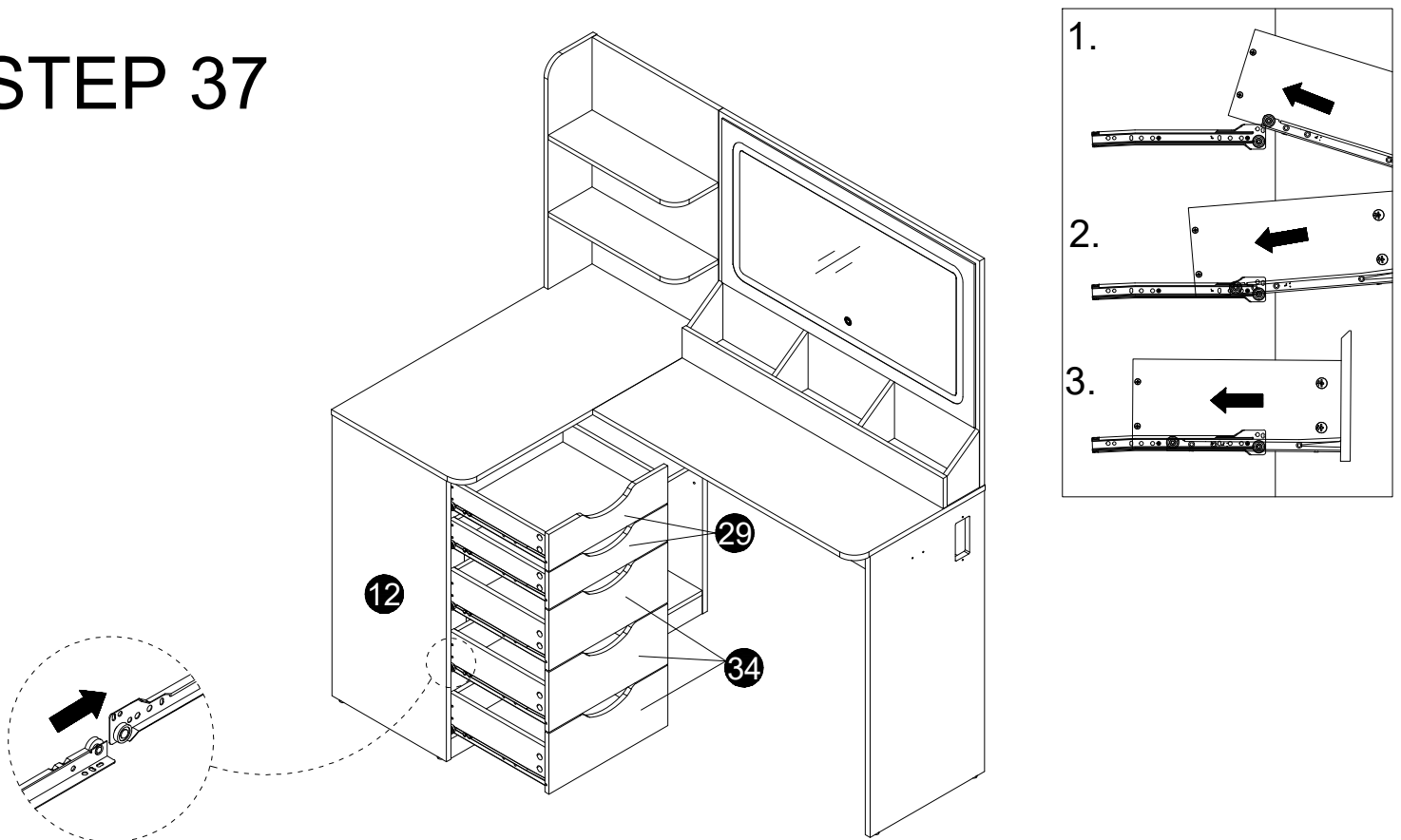
# STEP 35



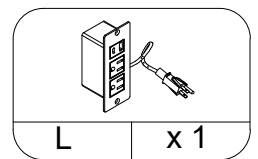
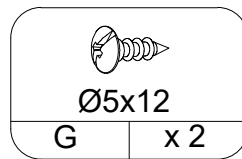
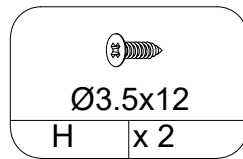
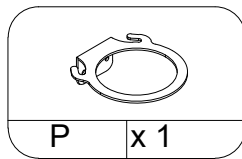
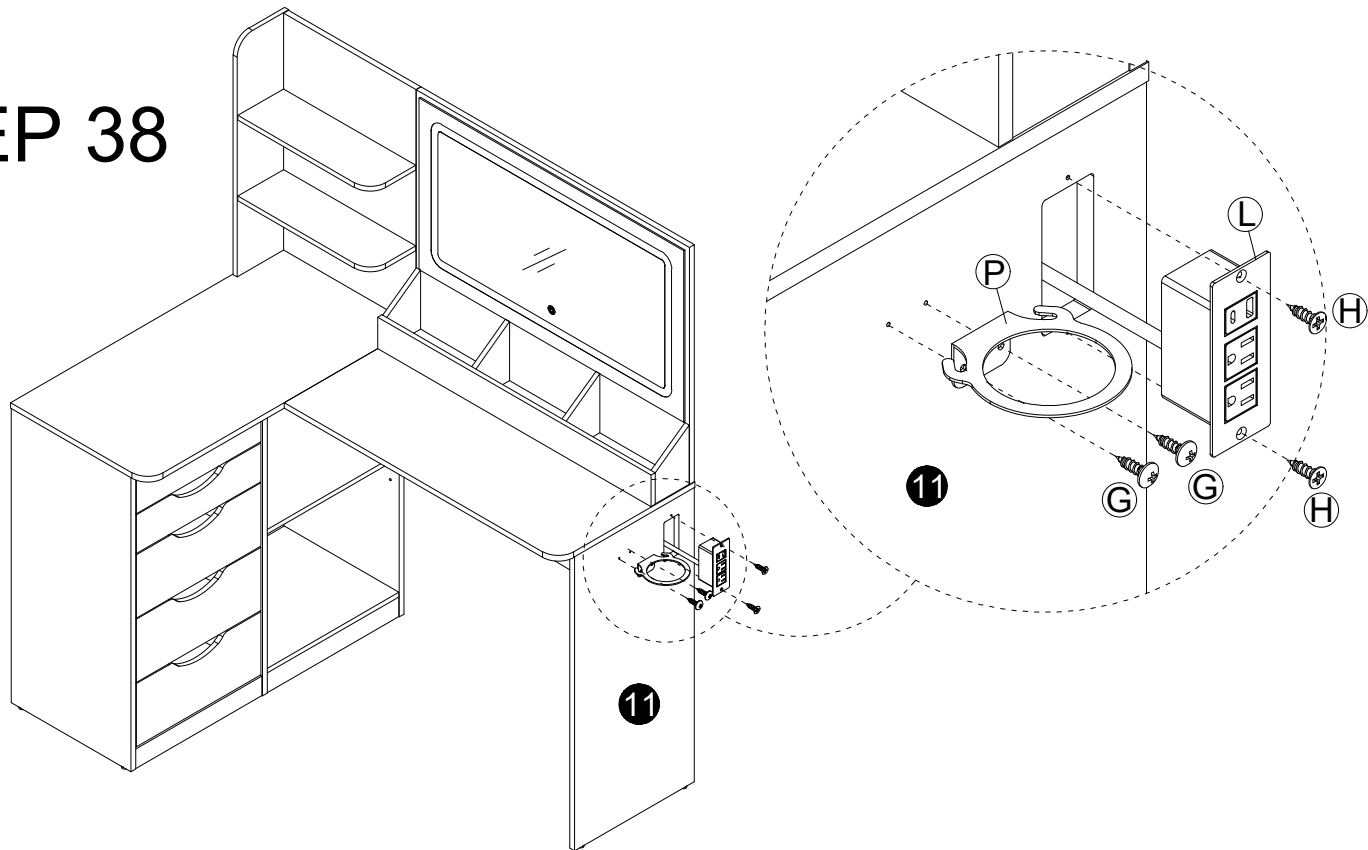
# STEP 36



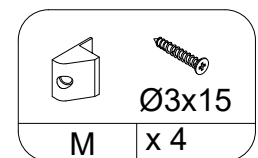
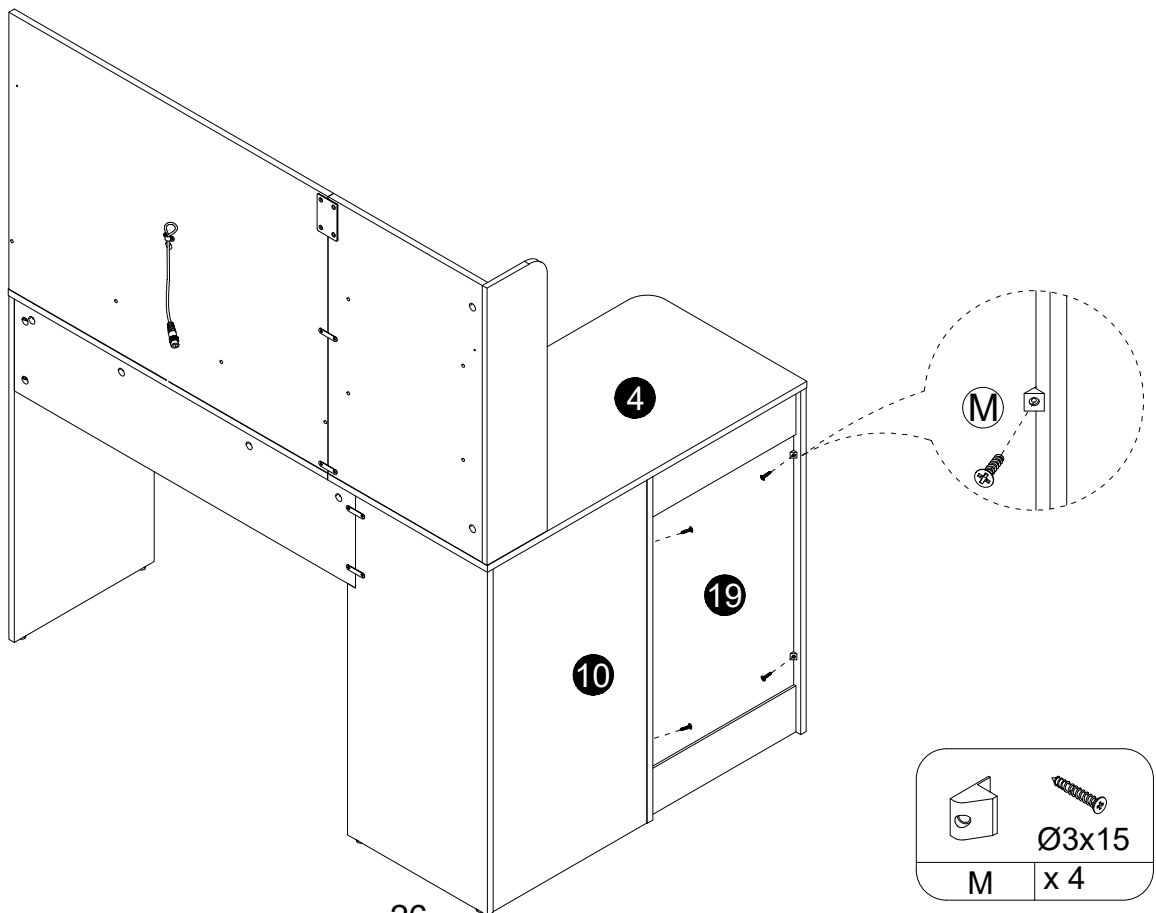
# STEP 37



# STEP 38

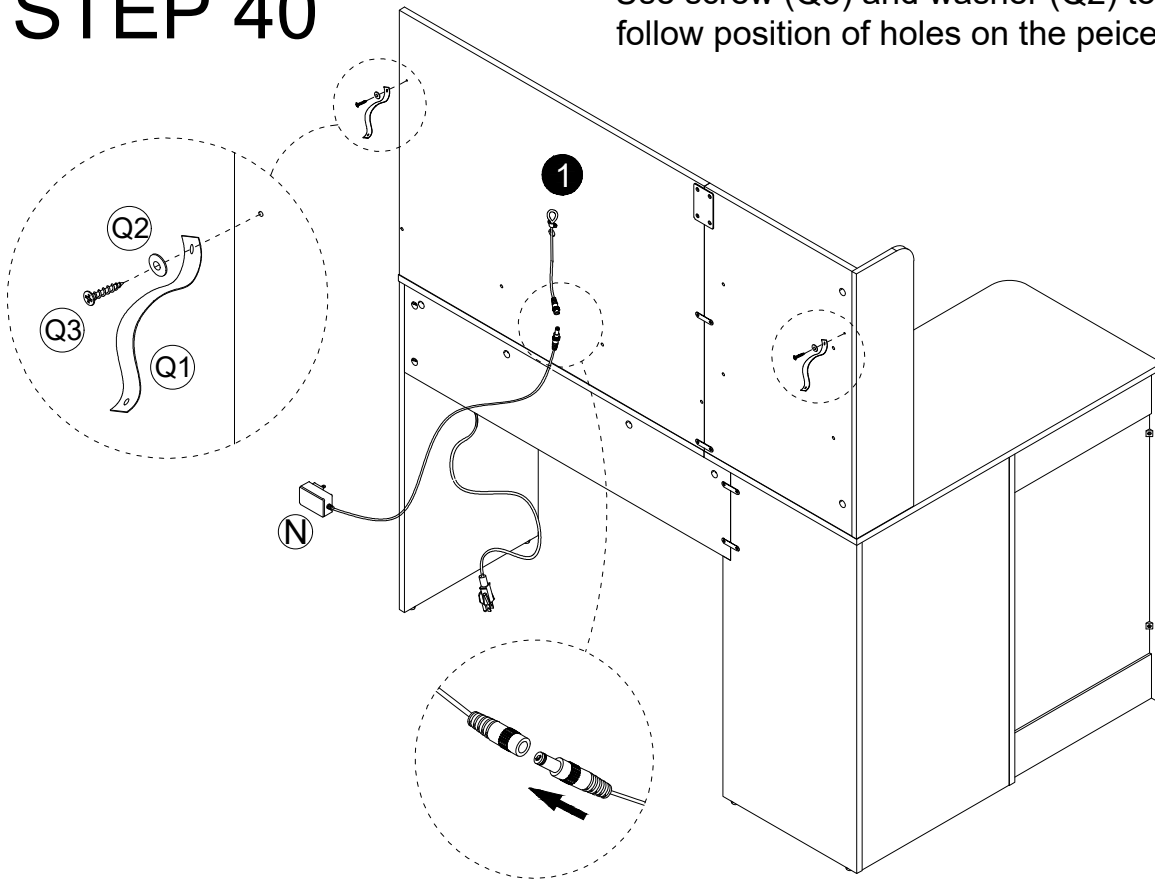


# STEP 39

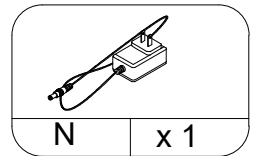


# STEP 40

Use screw (Q3) and washer (Q2) to fix the strap (Q1) follow position of holes on the piece 1.

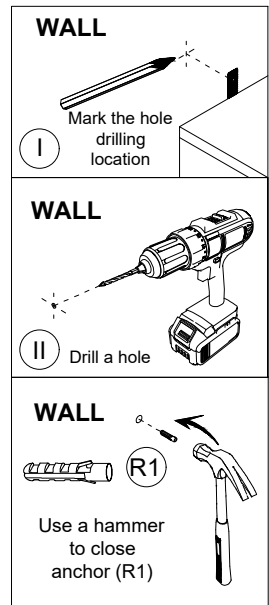
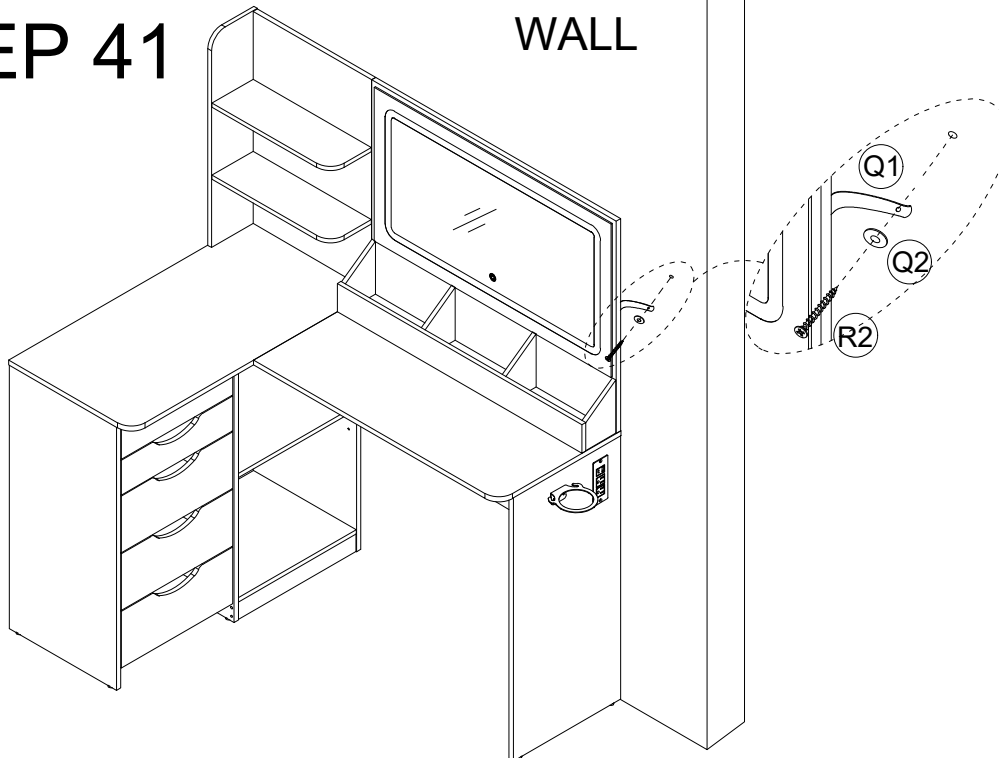


- Q1. x2PC
- Q2. x2PC
- Q3. x2PC



# STEP 41

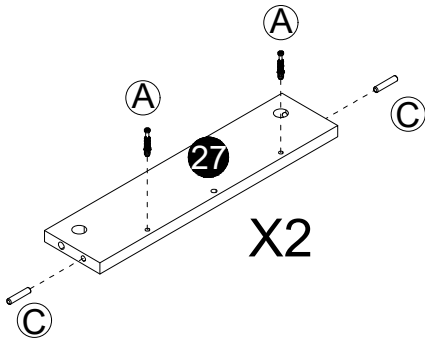
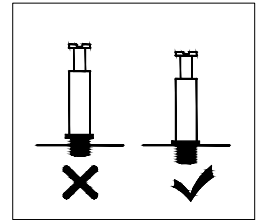
WALL



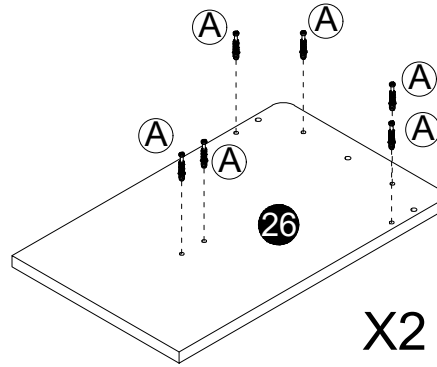
- R1. x2PC
- R2. x2PC
- Q2. x2PC

Step1: determine the location of the anti-overturning on the wall and then mark the position after confirming the product has been balanced.  
 Step 2: drill the hole and then fixed the anchor (R1) on the wall.  
 Step 3: use screw (R2) to fix the strap (Q1), (Q2) on the wall .

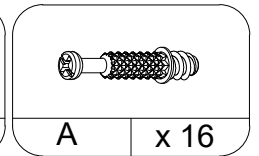
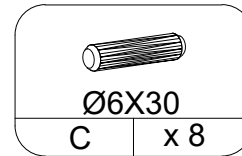
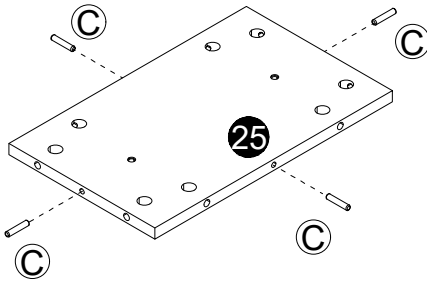
# STEP 42



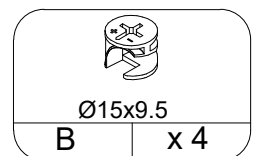
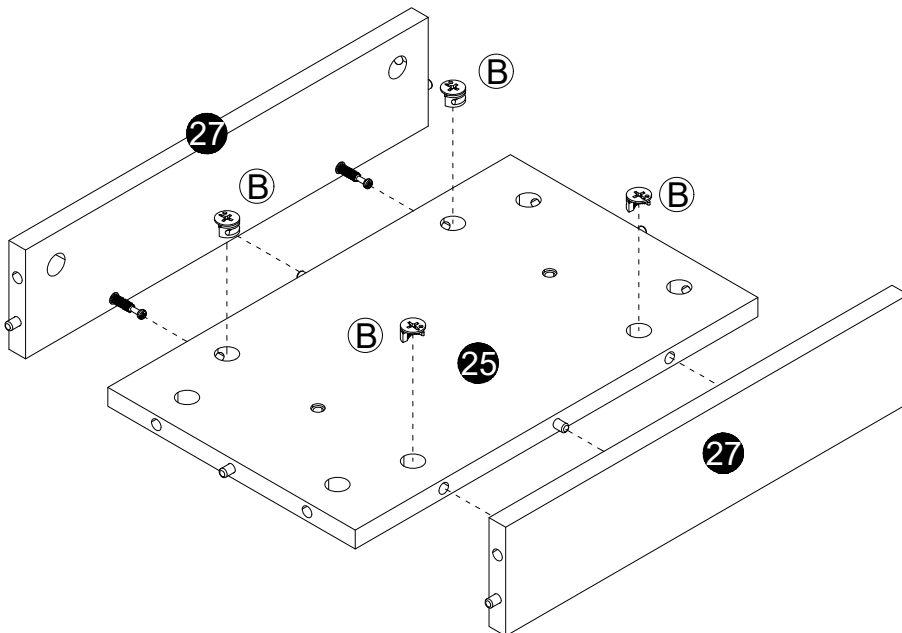
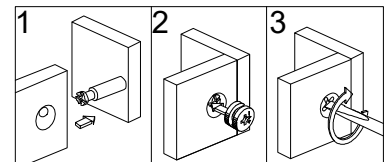
X2



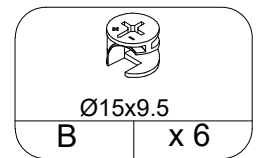
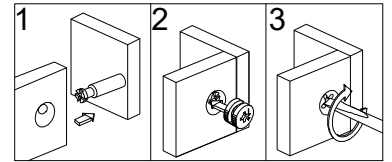
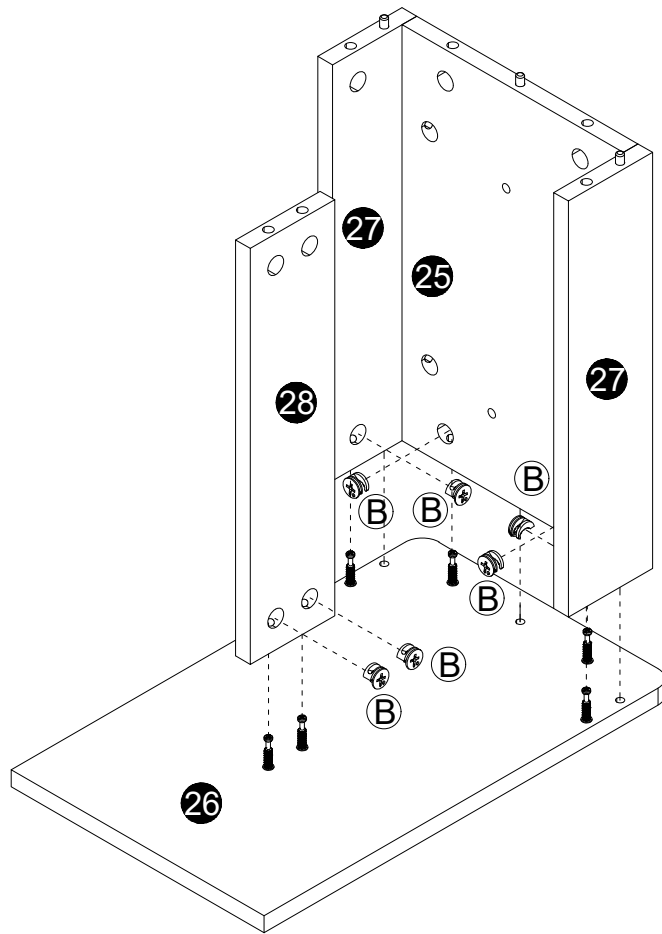
X2



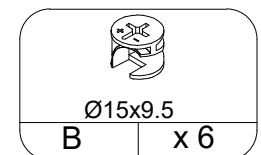
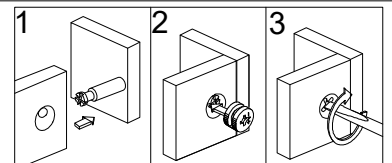
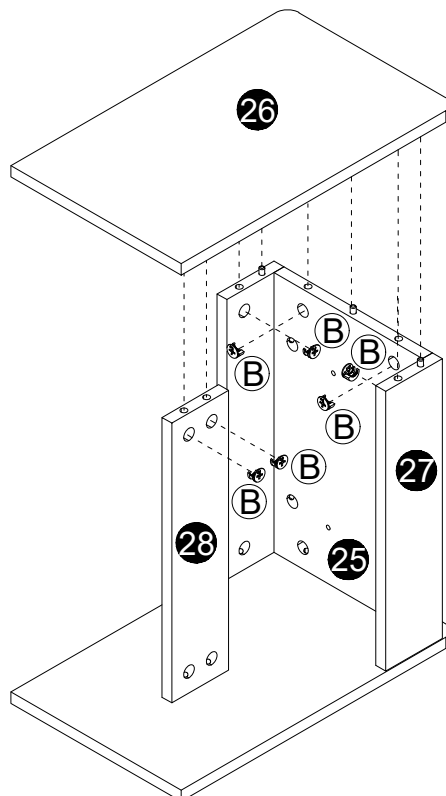
# STEP 43



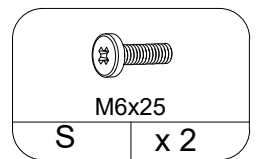
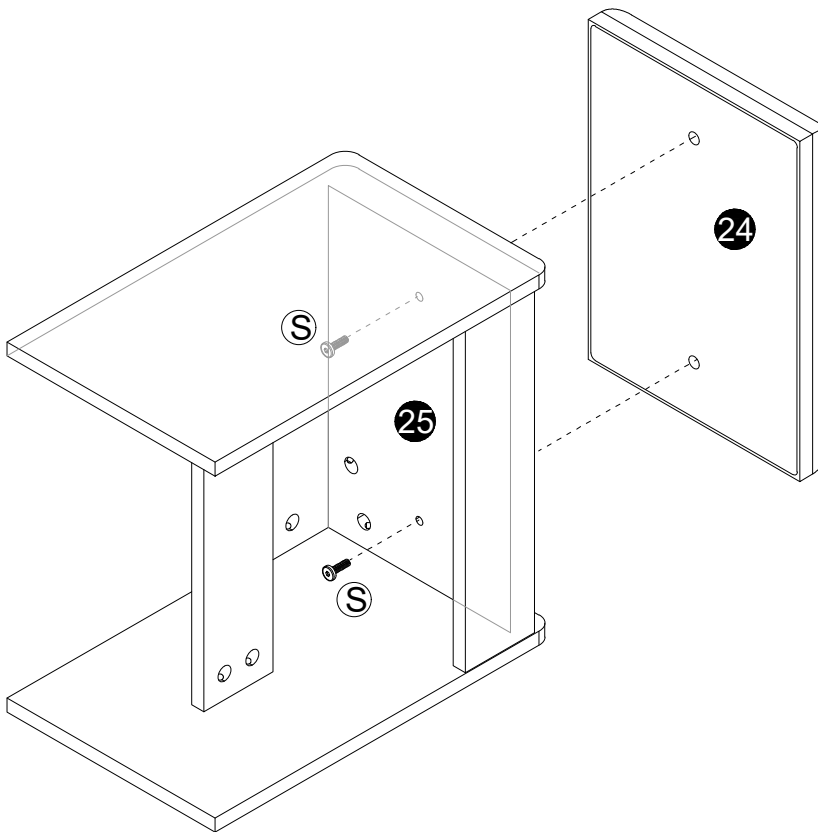
# STEP 44



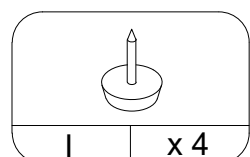
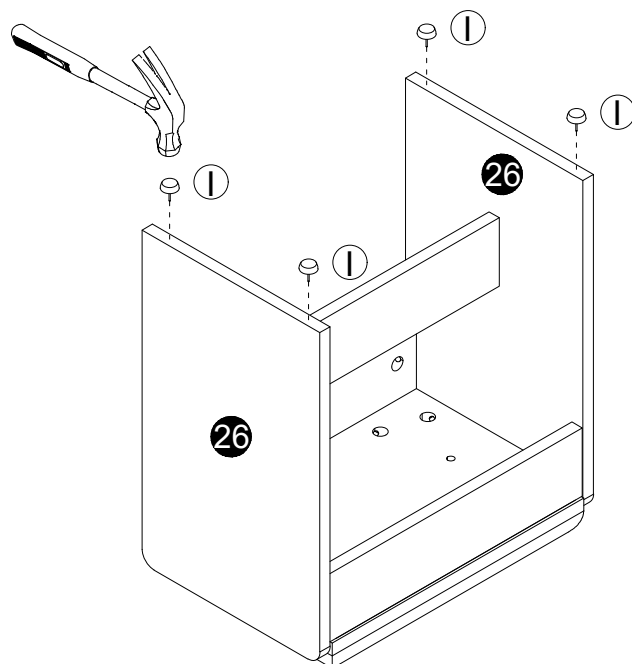
# STEP 45



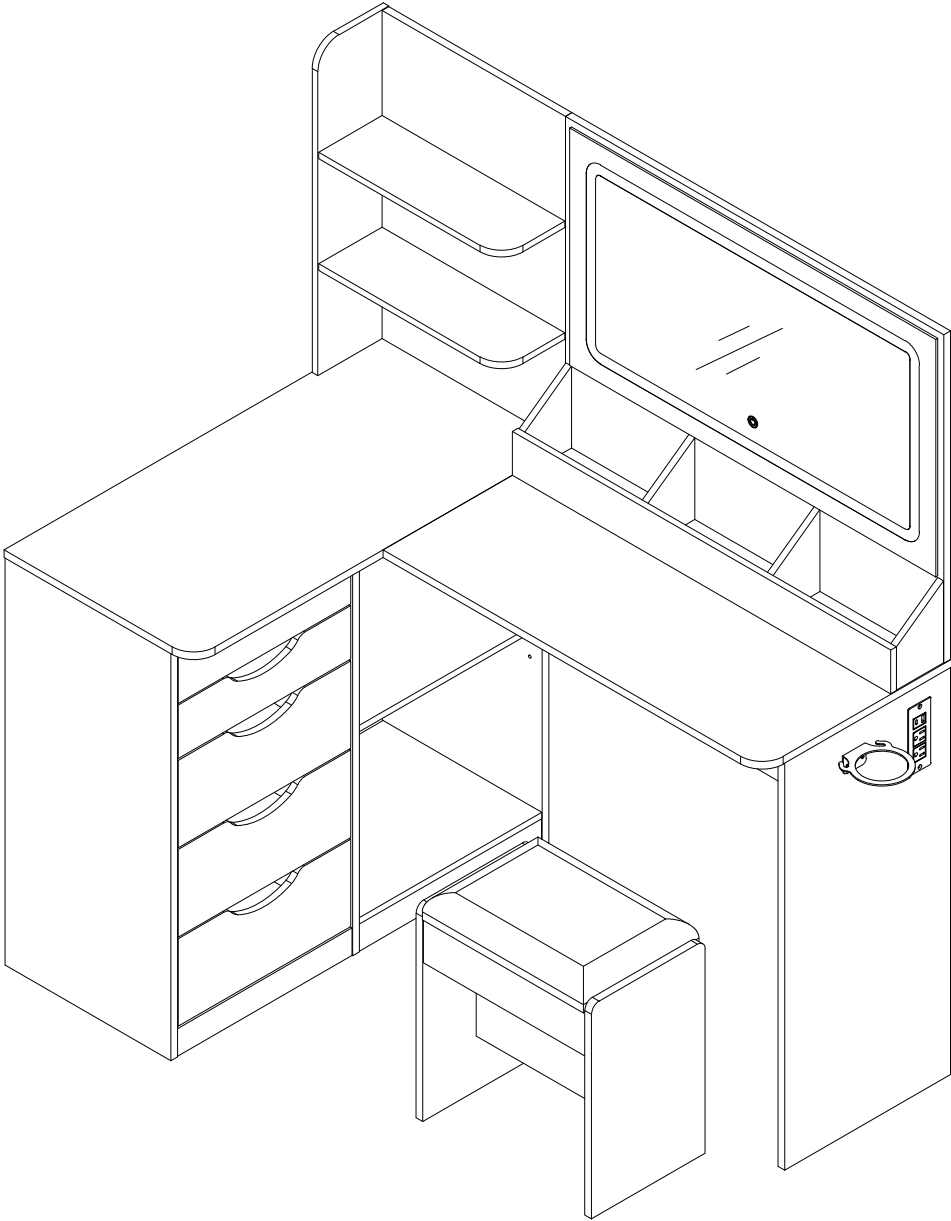
# STEP 46



# STEP 47



# STEP 48



# FURNITURE CARE AND MAINTENANCE

## Medium - Density Fiberboard

Thank you for your purchase. We want your item to last as long as possible. To ensure the product gives you years of service, please refer to this care and maintenance guide.



### MAINTENANCE

- Tighten all bolts and screws again within the first 2 weeks of assembly
- Check the tightness of all bolts every 2 months, tighten them if necessary



### CLEANING

- Clean the surface of the MDF (medium - density fiberboard) with a lightly dampened cloth.
- Small amount of mild soap can be used if necessary
- Dry the surface immediately after cleaning.

- ⚠ DO NOT use bleach or alcohol detergent to clean the surface.
- ⚠ DO NOT apply wood treatment on parts made with MDF.

Medium - density fiberboard will swell and distort when suffer from water damage. Make sure to dry the furniture immediately after cleaning