

You could totally **write**
a **novel** on this.

Study Desk

Salt Oak
Rum Walnut

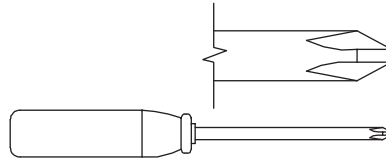
NOTE: THIS INSTRUCTION
BOOKLET CONTAINS **IMPORTANT**
SAFETY INFORMATION.

PLEASE READ AND KEEP FOR
FUTURE REFERENCE.

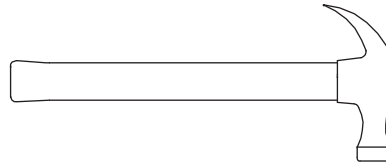
Table of Contents

Assembly Tools Required

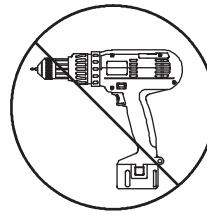
Part Identification	3
Hardware Identification	4
Assembly Steps	5-19
Français	20-22
Español	23-25
Safety	26
Warranty	27



No. 2 Phillips Screwdriver
Tip Shown Actual Size



Hammer
Not actual size 😊



Skip the power trip.
This time.

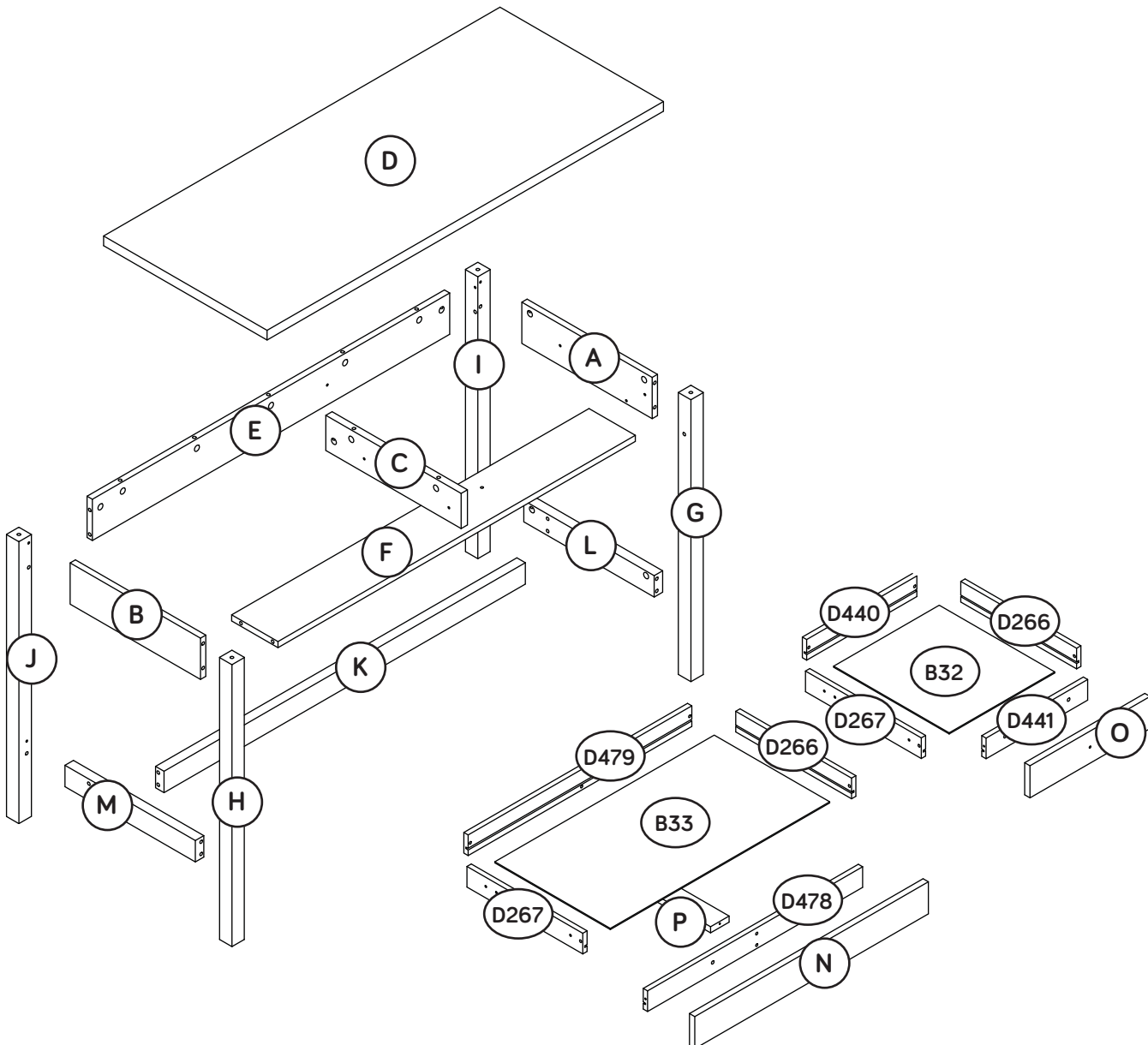
Part Identification

Now you know
our ABCs.



† While not all parts are labeled, some of the parts will have a label or an inked letter on the edge to help distinguish similar parts from each other. Use this part identification to help identify similar parts.

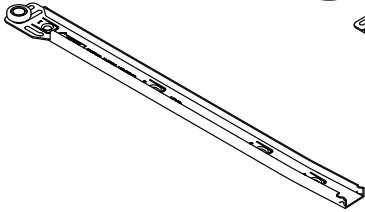
A	RIGHT END (1)	D440	SMALL DRAWER BACK (1)	I	RIGHT REAR LEG (1)
B	LEFT END (1)	D441	SMALL DRAWER BOX FRONT (1)	J	LEFT REAR LEG (1)
B32	SMALL DRAWER BOTTOM (1)	D478	LARGE DRAWER BOX FRONT (1)	K	STRETCHER (1)
B33	LARGE DRAWER BOTTOM (1)	D479	LARGE DRAWER BACK (1)	L	RIGHT SKIRT (1)
C	UPRIGHT (1)	E	BACK (1)	M	LEFT SKIRT (1)
D	TOP (1)	F	BRACE (1)	N	LARGE DRAWER FRONT (1)
D266	DRAWER RIGHT SIDE (2)	G	RIGHT FRONT LEG (1)	O	SMALL DRAWER FRONT (1)
D267	DRAWER LEFT SIDE (2)	H	LEFT FRONT LEG (1)	P	DRAWER BRACE (1)



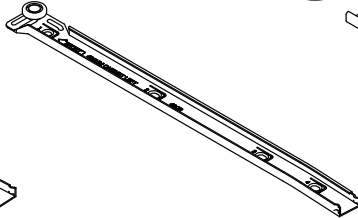
Hardware Identification

† Screws are shown actual size. You may receive extra hardware with your unit.

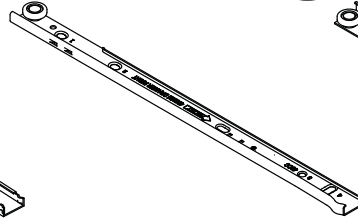
40CA CABINET RIGHT - 2



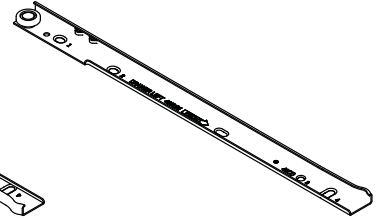
40CB CABINET LEFT - 2



40CC DRAWER RIGHT - 2



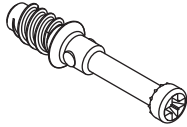
40CD DRAWER LEFT - 2



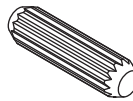
1F HIDDEN CAM - 20



8F CAM SCREW - 20



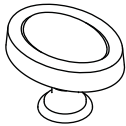
15F WOOD DOWEL - 18



24F CROSS SLOTTED DOWEL - 2



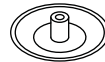
69K KNOB - 2



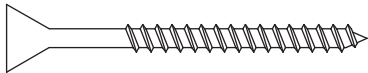
54M GLUE - 1



13P CAM COVER - 4



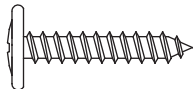
2S BLACK 1-7/8" FLAT HEAD SCREW - 1



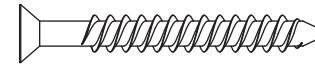
3S GOLD 5/16" FLAT HEAD SCREW - 16



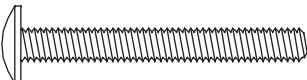
17S BLACK 7/8" LARGE HEAD SCREW - 4



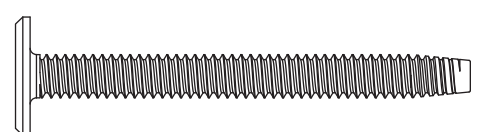
30S BLACK 1-9/16" FLAT HEAD SCREW - 10



95S SILVER 1-1/2" MACHINE SCREW - 2

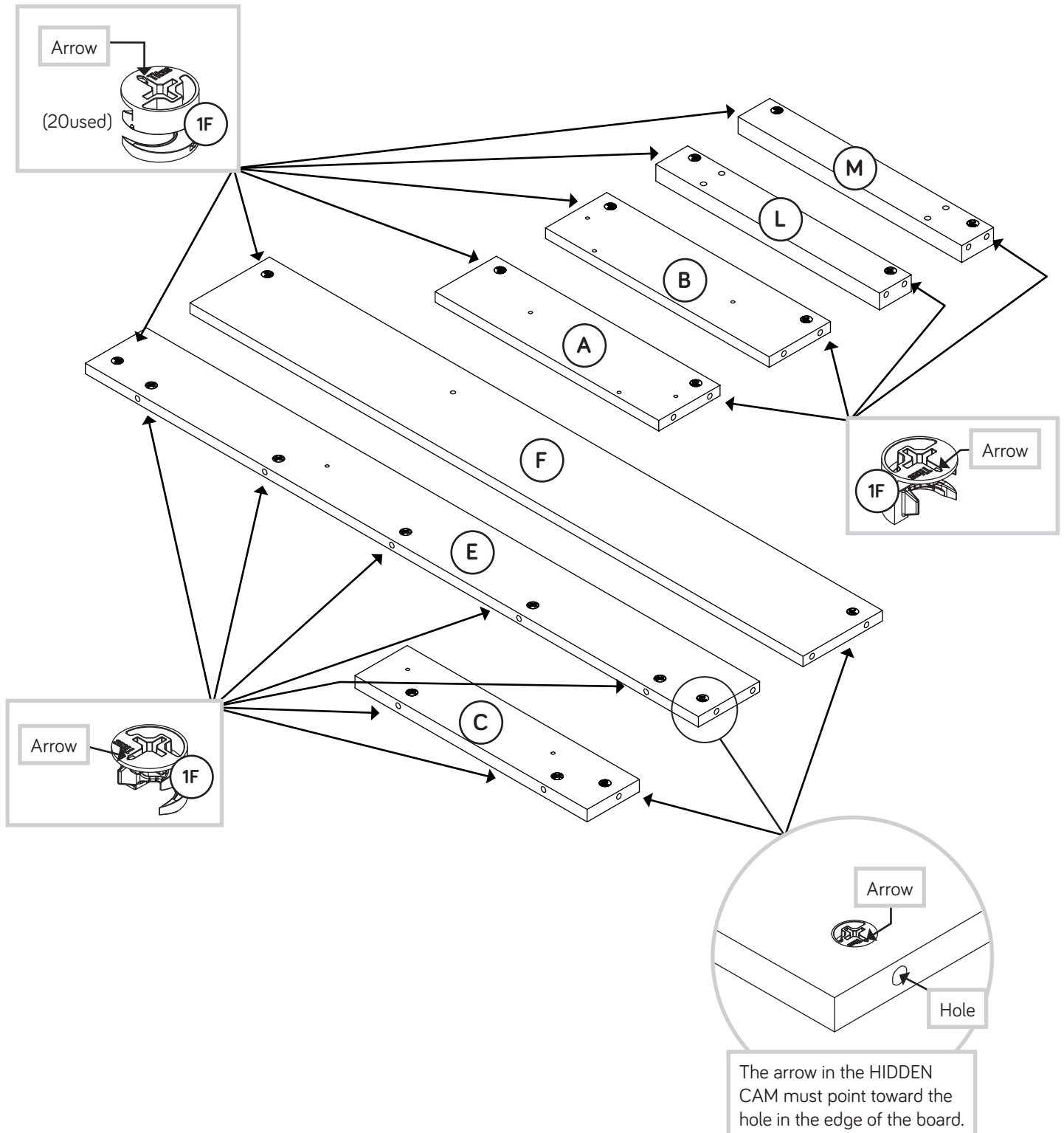


103S BLACK 2-3/8" FLAT HEAD BOLT - 2



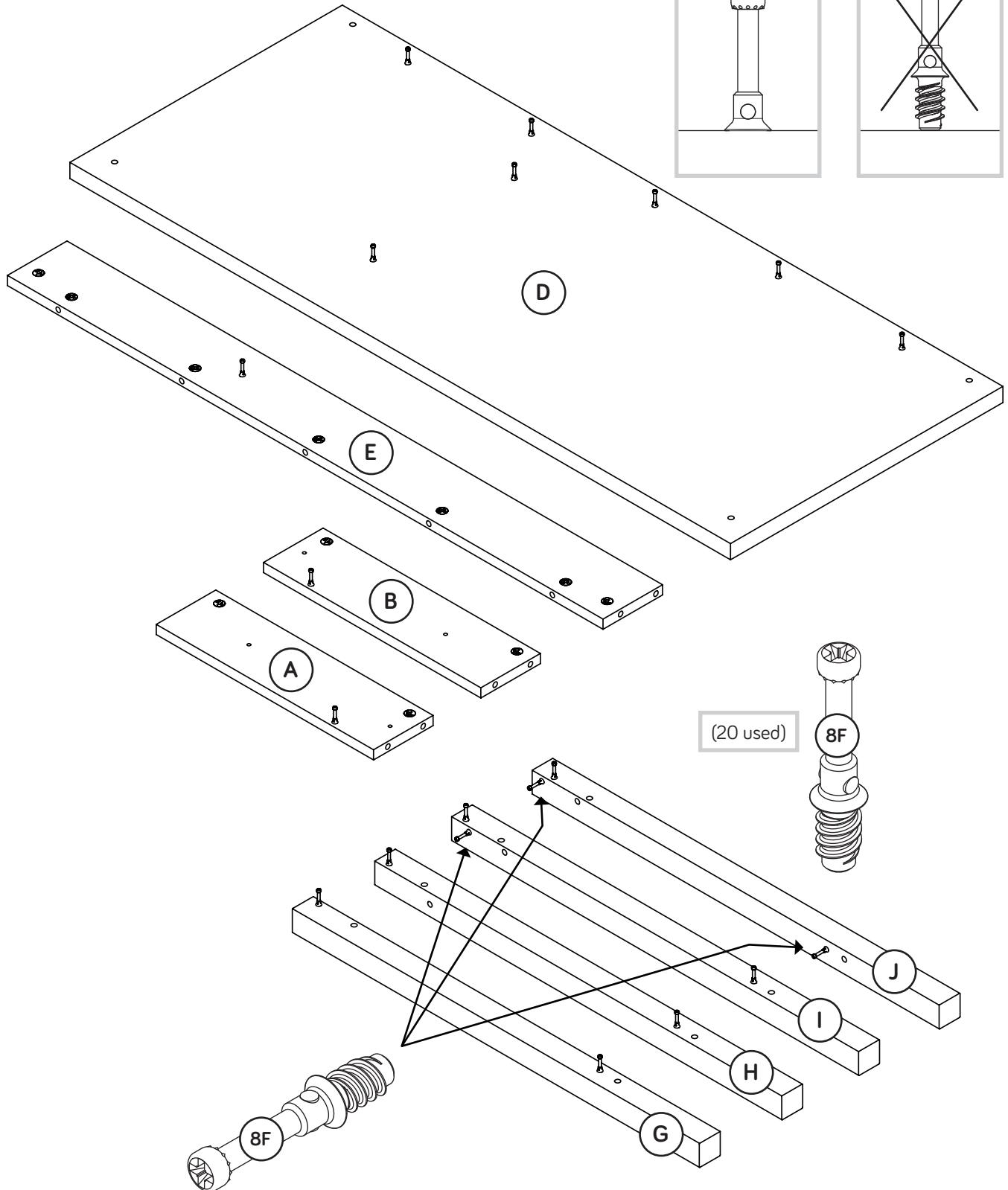
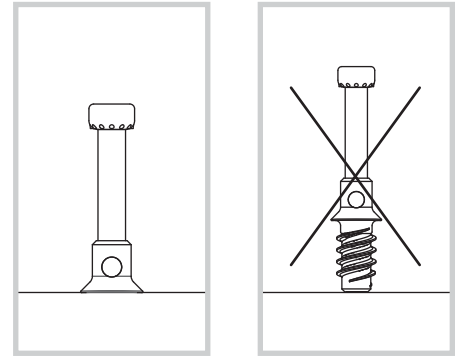
Step 1

- ✚ Assemble your unit on a carpeted floor or on the empty carton to avoid scratching your unit or the floor.
- ✚ Push twenty HIDDEN CAMS (1F) into the ENDS (A and B) UPRIGHT (C), BACK (E), BRACE (F), and SKIRTS (L and M).



Step 2

Turn twenty CAM SCREWS (8F) into the ENDS (A and B), TOP (D), BACK (E), and LEGS (G, H, I, and J).

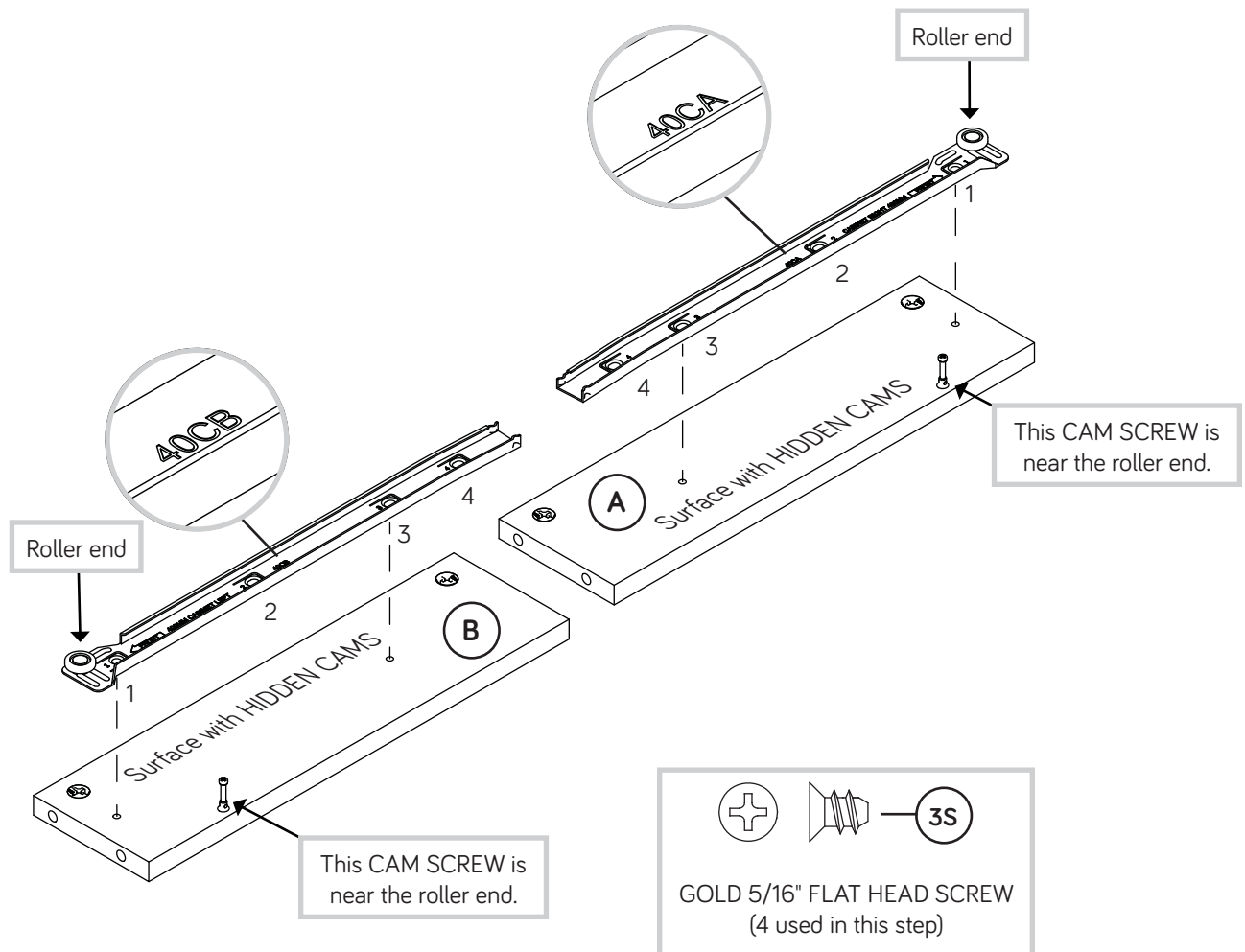


Step 3

Fasten the CABINET RIGHT (40CA) to the RIGHT END (A) and CABINET LEFT (40CB) to the LEFT END (B). Use four GOLD 5/16" FLAT HEAD SCREWS (3S) through holes #1 and #3.

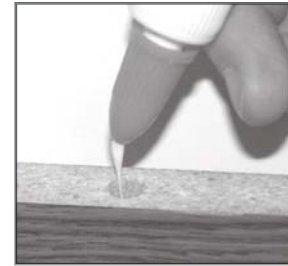


Remember:
Righty tighty.
Lefty loosey.



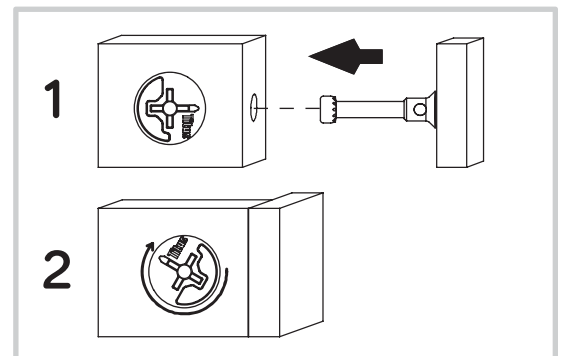
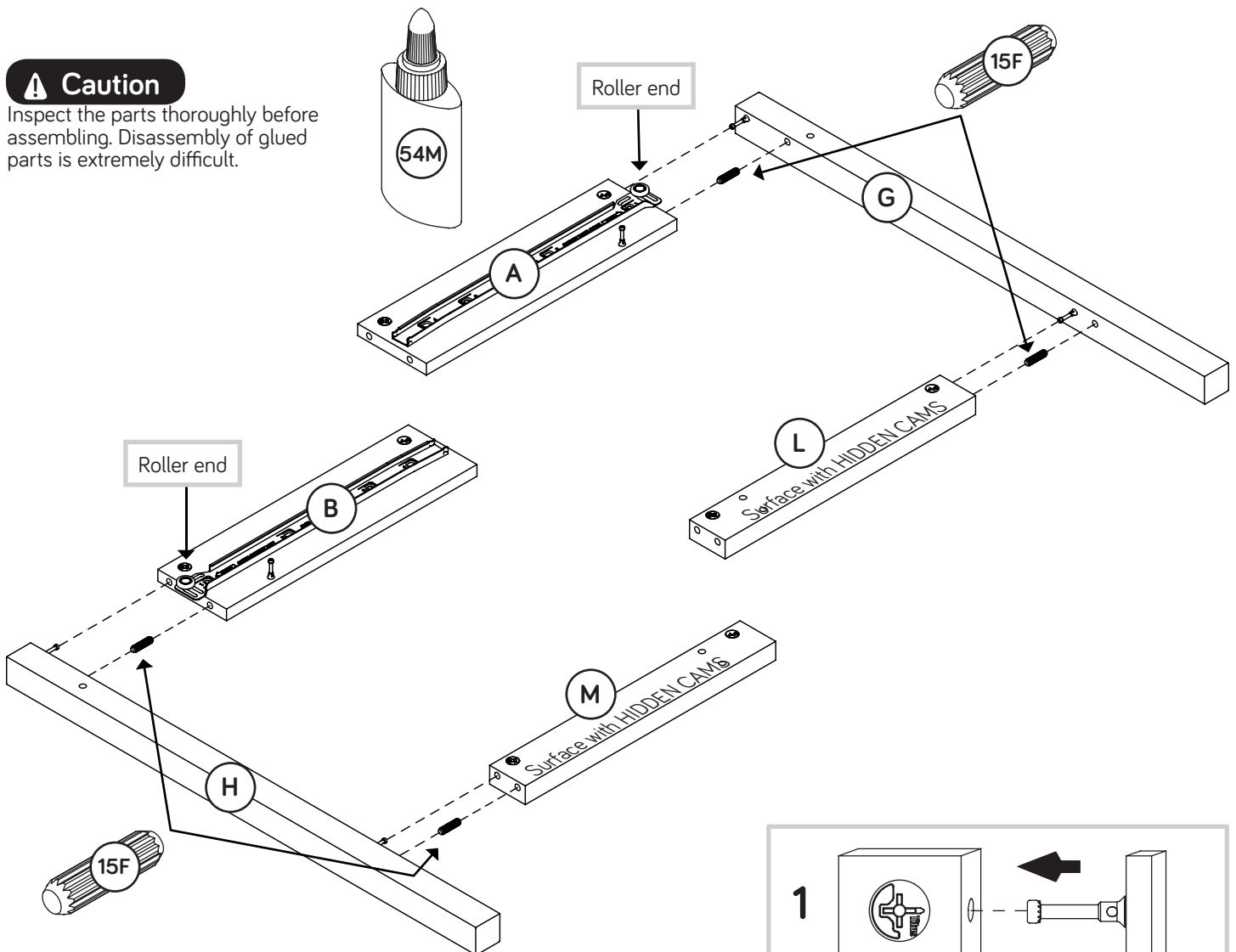
Step 4

- First, fill the holes in the RIGHT FRONT LEG (G) 1/4 to 1/2 full with GLUE (54M). Then, insert the WOOD DOWELS (15F) into the holes. Wipe away the excess GLUE.
- Now, fill the holes in the RIGHT END (A) and RIGHT SKIRT (L), 1/4 to 1/2 full with GLUE. Then, insert the WOOD DOWELS in the LEG into these holes. Tighten the HIDDEN CAMS in the RIGHT END and RIGHT SKIRT. Wipe away the excess GLUE.
- Repeat this step gluing and fastening the LEFT FRONT LEG (H) to the LEFT END (B) and LEFT SKIRT (M) as shown in the lower diagram.



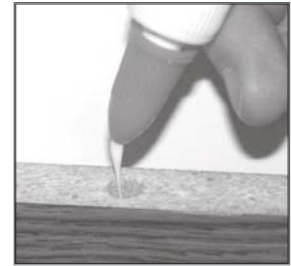
Fill the holes 1/4 to 1/2 full with GLUE.

Caution
Inspect the parts thoroughly before assembling. Disassembly of glued parts is extremely difficult.

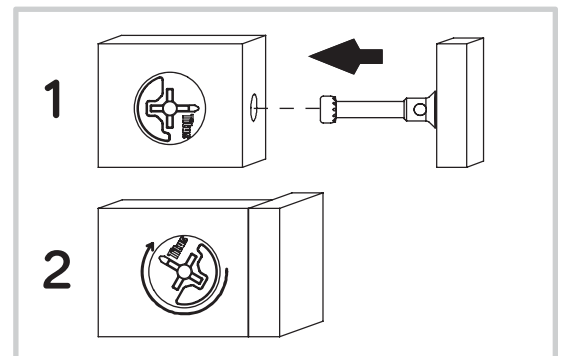
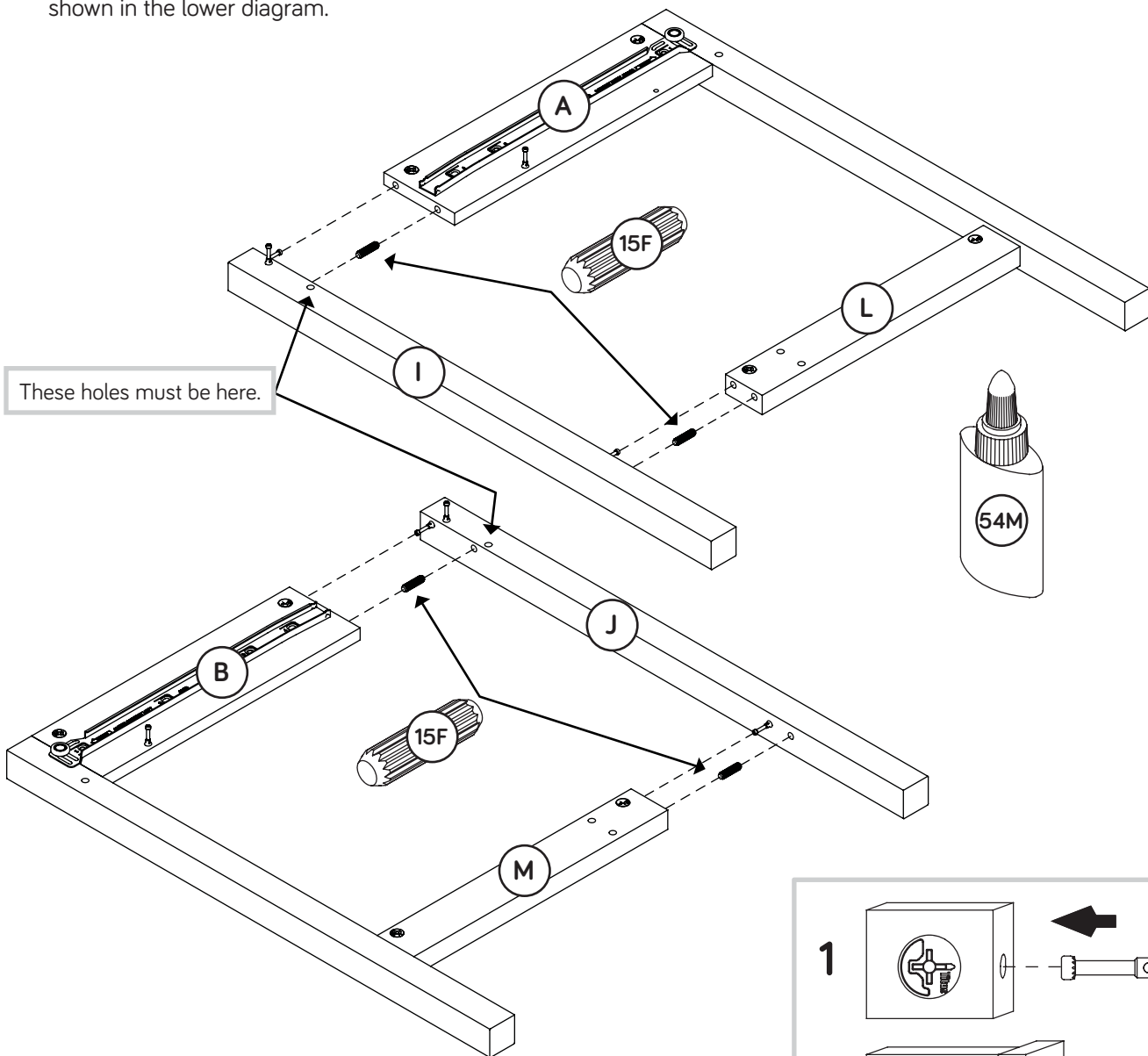


Step 5

- First, fill the holes in the RIGHT REAR LEG (I) 1/4 to 1/2 full with GLUE (54M). Then, insert the WOOD DOWELS (15F) into the holes. Wipe away the excess GLUE.
- Now, fill the holes in the RIGHT END (A) and RIGHT SKIRT (L), 1/4 to 1/2 full with GLUE. Then, insert the WOOD DOWELS in the LEG into these holes. Tighten the HIDDEN CAMS in the RIGHT END and RIGHT SKIRT. Wipe away the excess GLUE.
- Repeat this step gluing and fastening the LEFT REAR LEG (J) to the LEFT END (B) and LEFT SKIRT (M) as shown in the lower diagram.

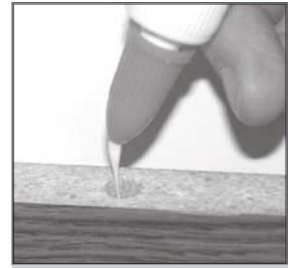


Fill the holes 1/4 to 1/2 full with GLUE.

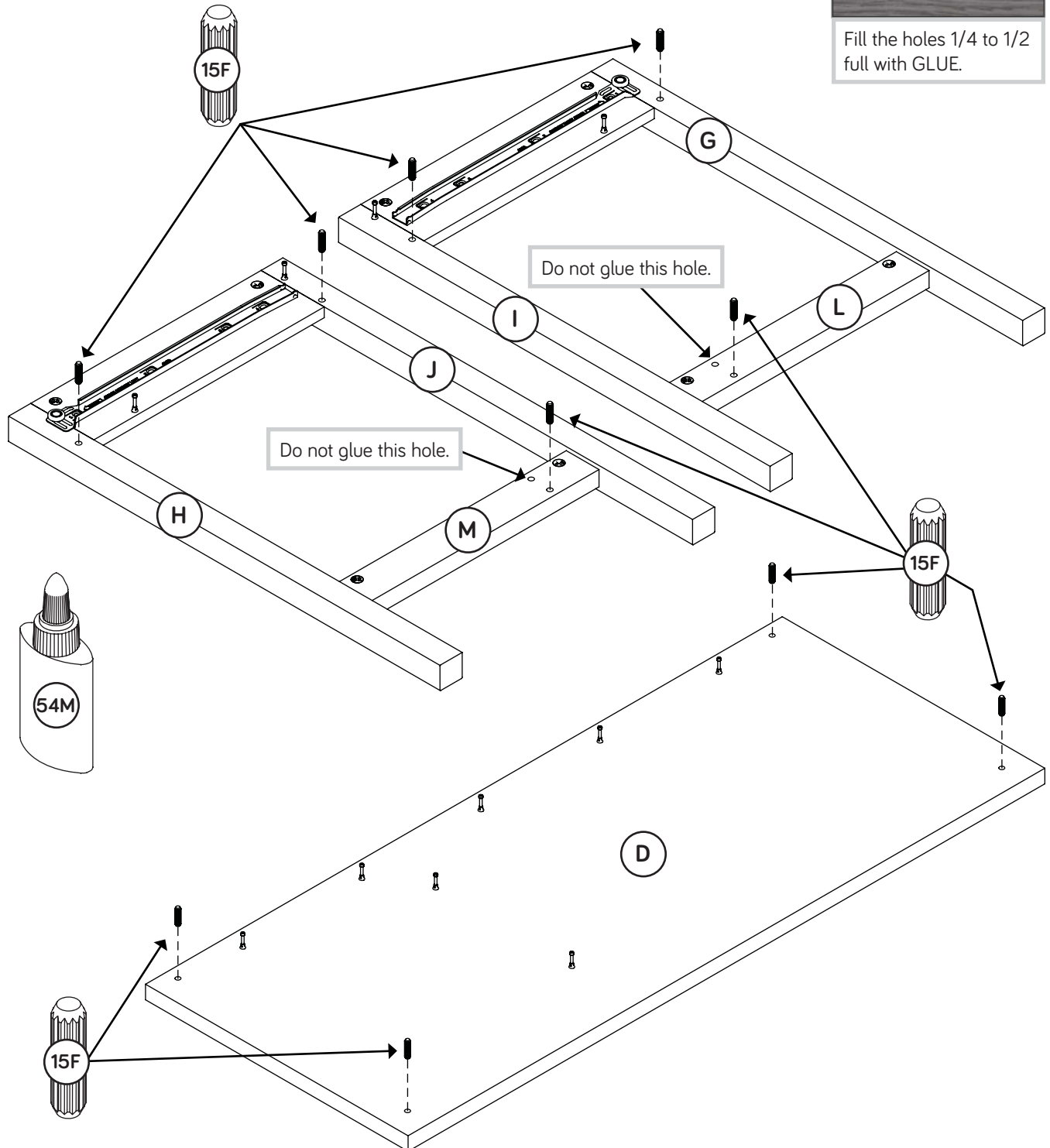


Step 6

Fill the holes in the LEGS (G, H, I, and J), SKIRTS (L and M) and TOP (D), 1/4 to 1/2 full with GLUE (54M). Then, insert the WOOD DOWELS (15F) into the holes as shown. Wipe away the excess GLUE.

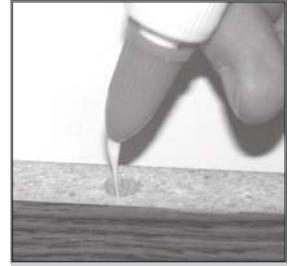


Fill the holes 1/4 to 1/2 full with GLUE.

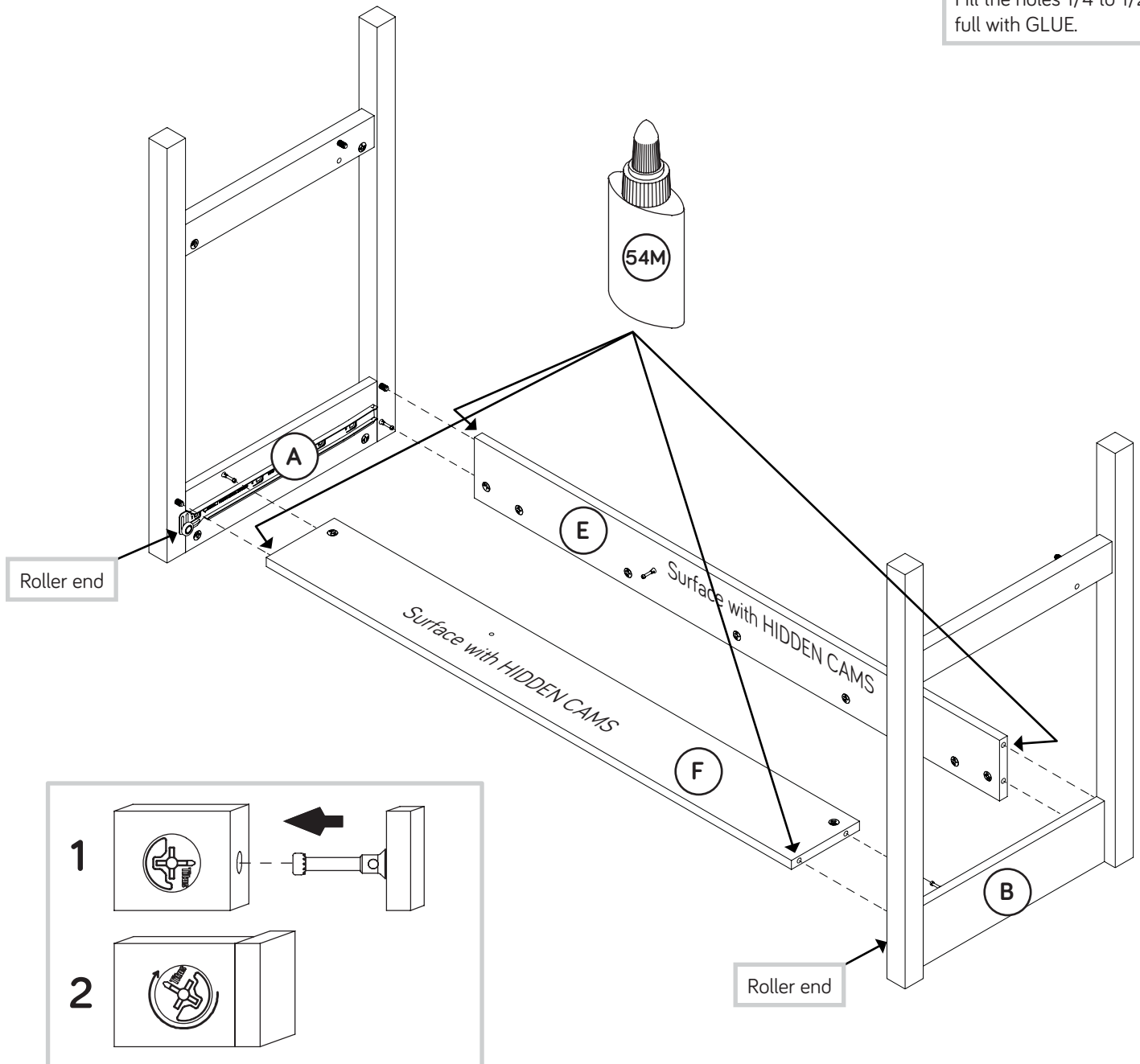


Step 7

- First, fill the hole in one end of the BACK (E) and BRACE (F), 1/4 to 1/2 full with GLUE (54M). Then, insert the WOOD DOWELS and CAM SCREWS in the RIGHT END (A) assembly into the holes with GLUE. Tighten two HIDDEN CAMS and wipe away the excess GLUE.
- Repeat this step gluing and tightening the HIDDEN CAMS to the LEFT END (B) assembly.



Fill the holes 1/4 to 1/2 full with GLUE.

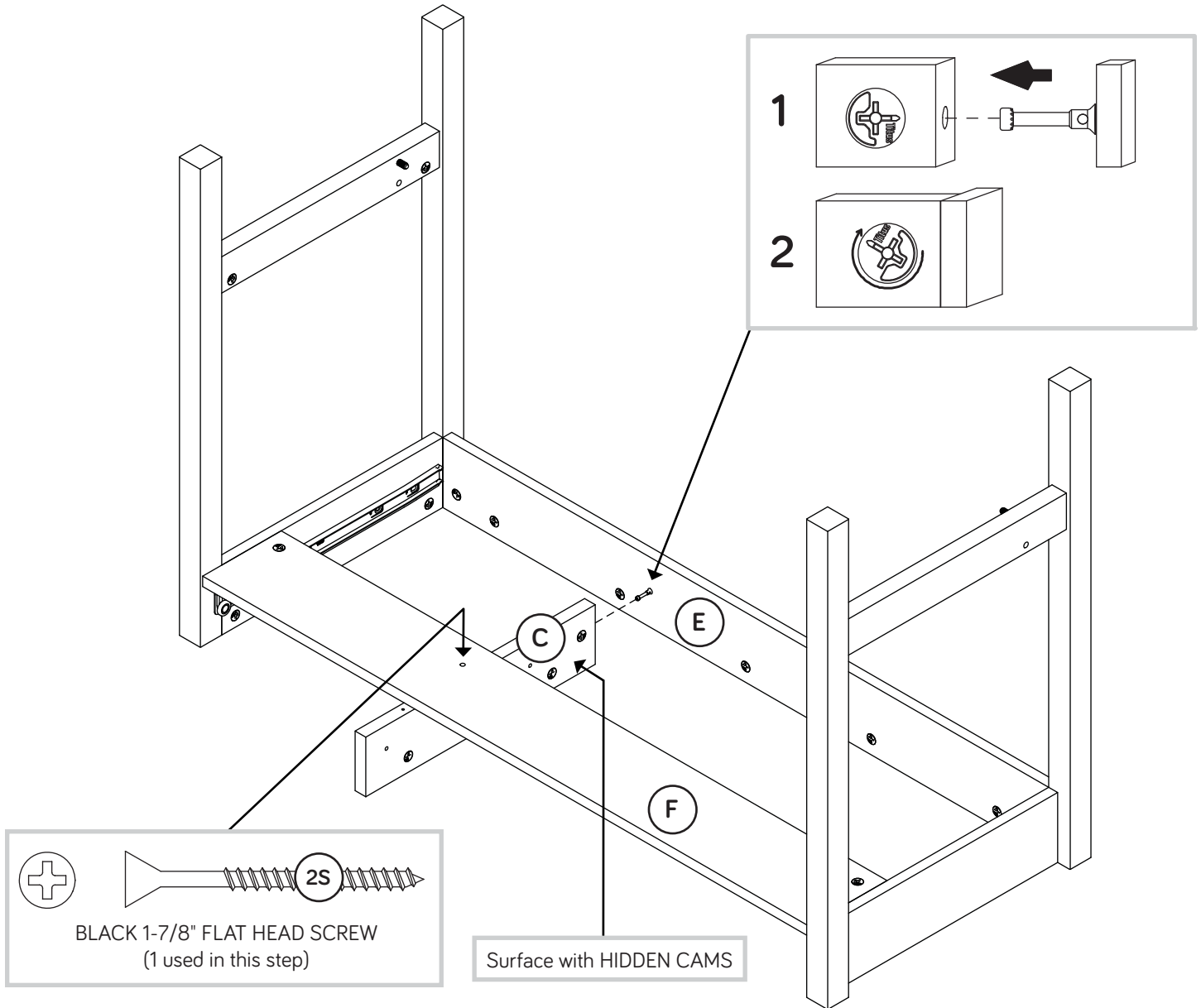


Step 8

- Fasten the UPRIGHT (C) to the BACK (E). Tighten the HIDDEN CAM.
- Fasten the UPRIGHT (C) to the BRACE (F). Use a BLACK 1-7/8" FLAT HEAD SCREW (2S).



Don't worry. It isn't Rome. This can be built in a day.



Step 9

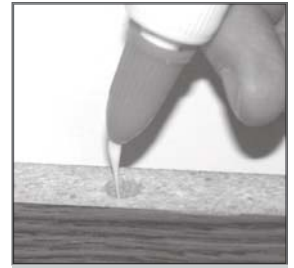
✚ Push two CROSS-SLOTTED DOWELS (24F) into the STRETCHER (K) as shown in the upper diagram.

✚ **NOTE:** The threads in the DOWEL should be pointed toward the hole in edge of the STRETCHER.

✚ Next, fill the holes in the short edge of the STRETCHER (K), 1/4 to 1/2 full with GLUE (54M).

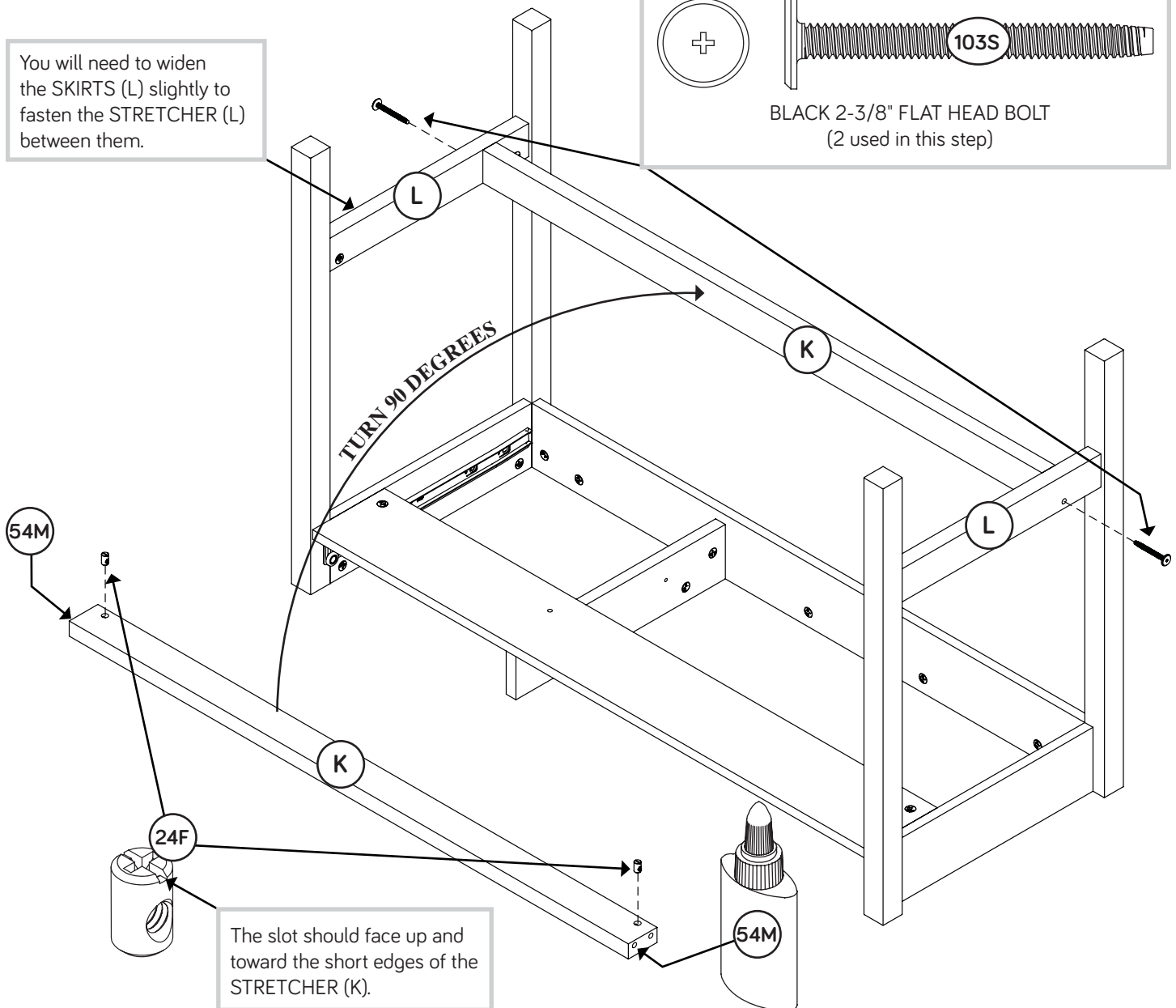
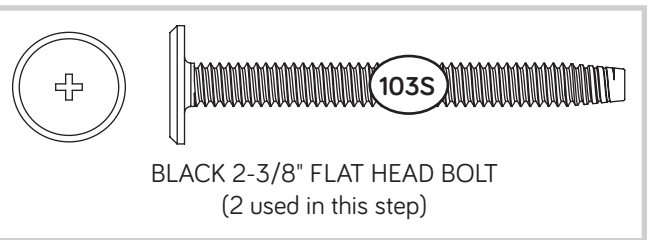
✚ Fasten the STRETCHER (K) to the SKIRTS (L and M). Use two BLACK 2-3/8" FLAT HEAD BOLTS (103S). Wipe away the excess GLUE.

✚ **NOTE:** Be sure the WOOD DOWELS in the SKIRTS insert into the holes in the STRETCHER. Wipe away the excess glue.



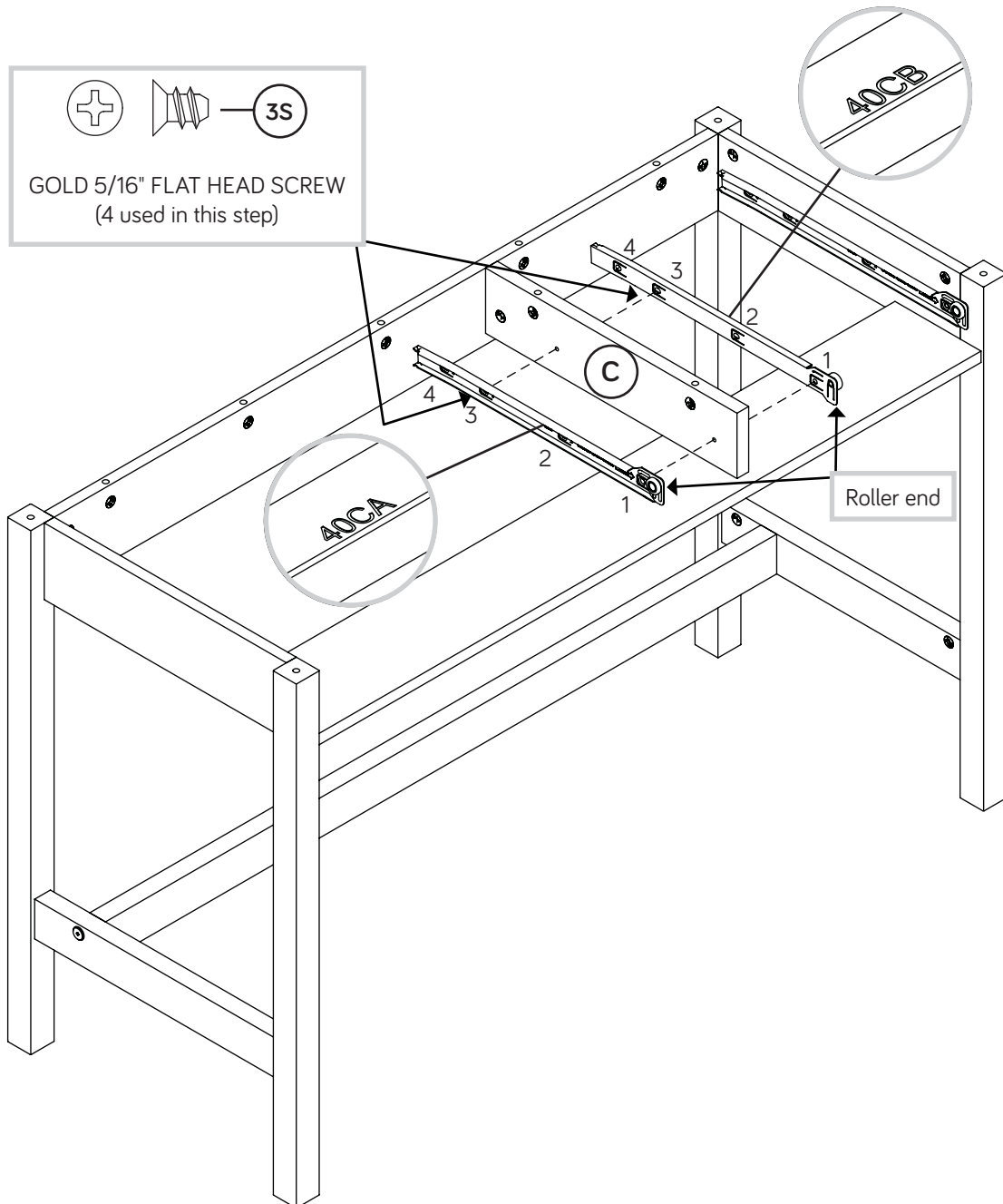
Fill the holes 1/4 to 1/2 full with GLUE.

You will need to widen the SKIRTS (L) slightly to fasten the STRETCHER (L) between them.



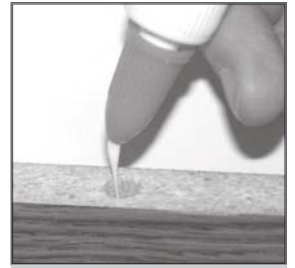
Step 10

- ⚡ Carefully stand your unit upright.
- ⚡ Fasten the CABINET RIGHT (40CA) and CABINET LEFT (40CB) to the UPRIGHT (C). Use four GOLD 5/16" FLAT HEAD SCREWS (3S) through holes #1 and #3.

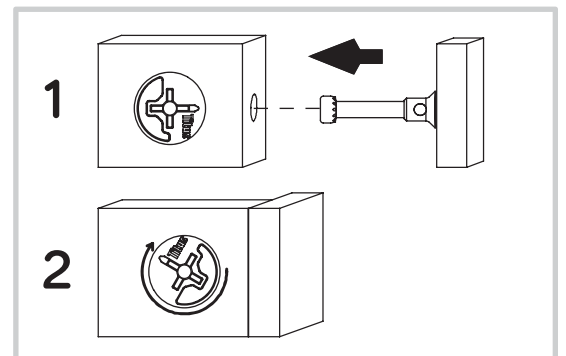
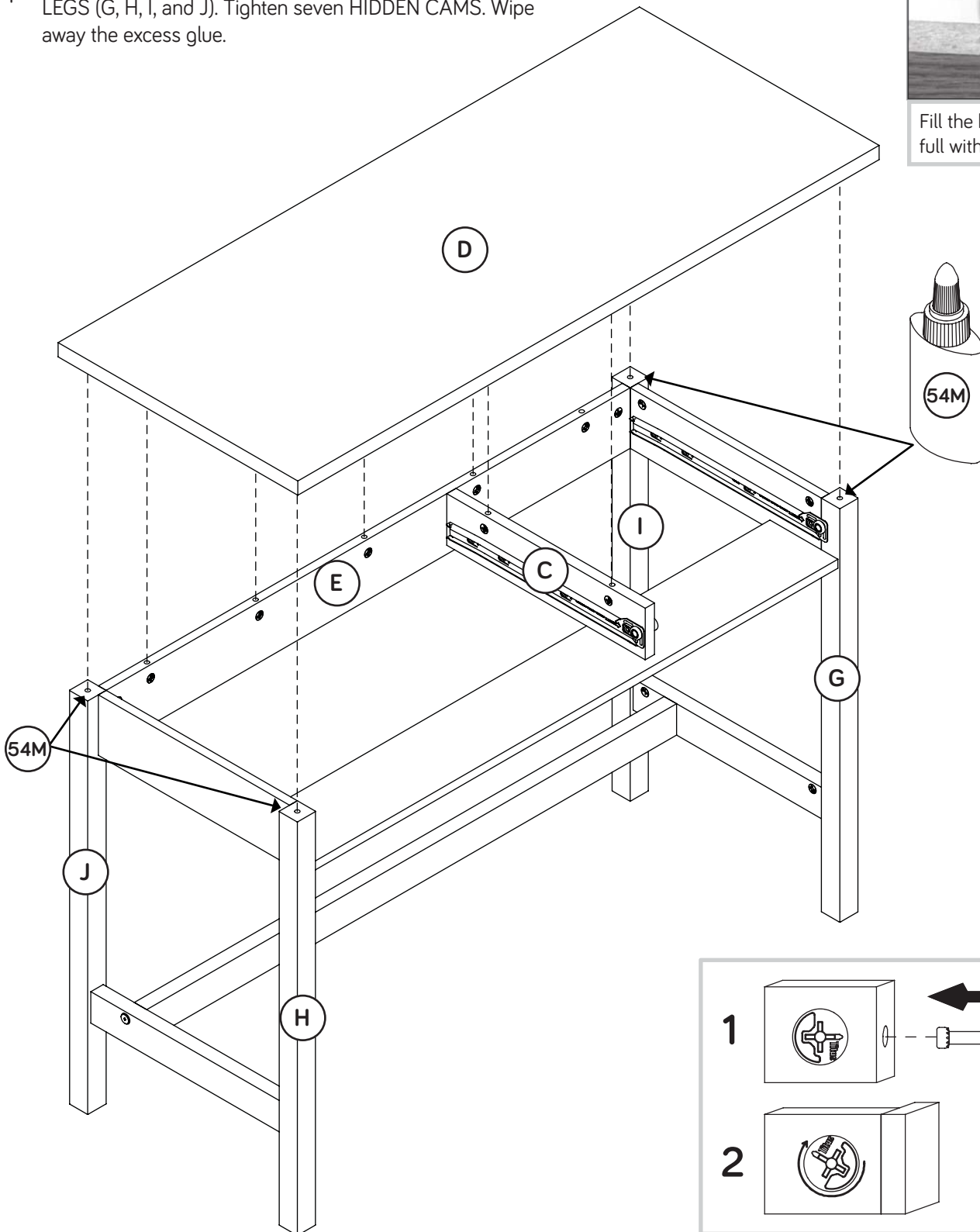


Step 11

- ✚ Fill the holes in the LEGS (G, H, I, and J), 1/4 to 1/2 full with GLUE (54M).
- ✚ Fasten the TOP (D) to the UPRIGHT (C), BACK (E) and LEGS (G, H, I, and J). Tighten seven HIDDEN CAMS. Wipe away the excess glue.



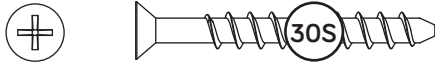
Fill the holes 1/4 to 1/2 full with GLUE.



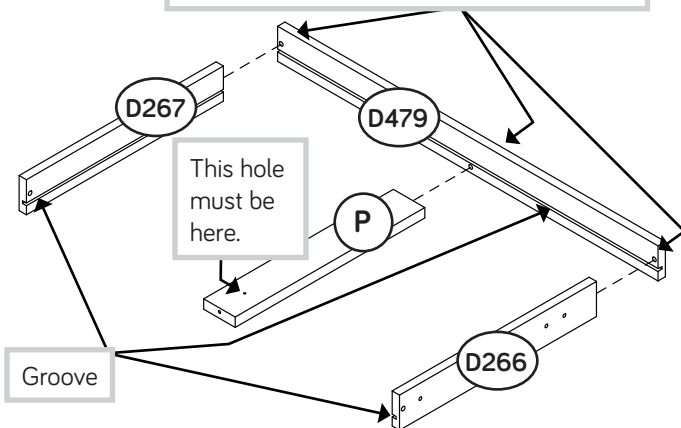
Step 12

1

Start each screw a few turns before completely tightening any of them.

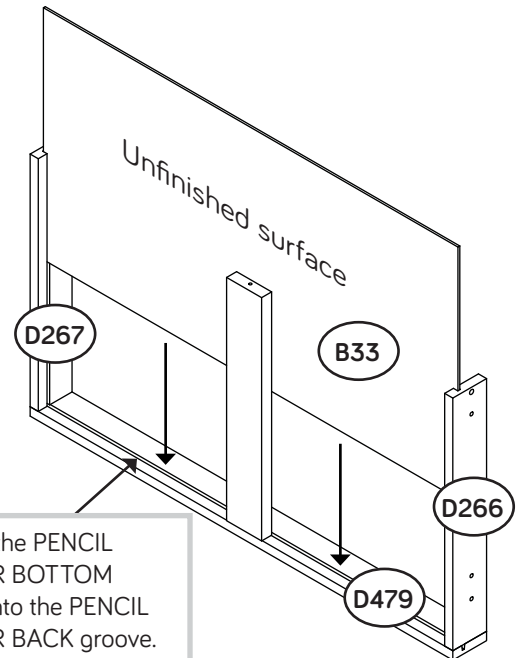


BLACK 1-9/16" FLAT HEAD SCREW
(3 used in this step)



Fasten the DRAWER SIDES (D266 and D267) and DRAWER BRACE (P) to the LARGE DRAWER BACK (D479). Use three BLACK 1-9/16" FLAT HEAD SCREWS (30S).

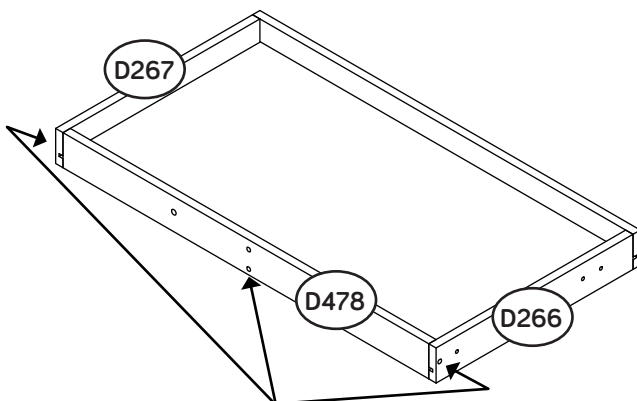
2



Be sure the PENCIL DRAWER BOTTOM inserts into the PENCIL DRAWER BACK groove.

Slide the LARGE DRAWER BOTTOM (B33) into the grooves in the DRAWER SIDES (D266 and D267) and LARGE DRAWER BACK (D479).

3



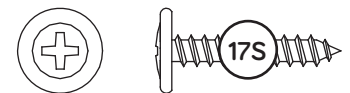
Start each screw a few turns before completely tightening any of them.



BLACK 1-9/16" FLAT HEAD SCREW
(3 used in this step)

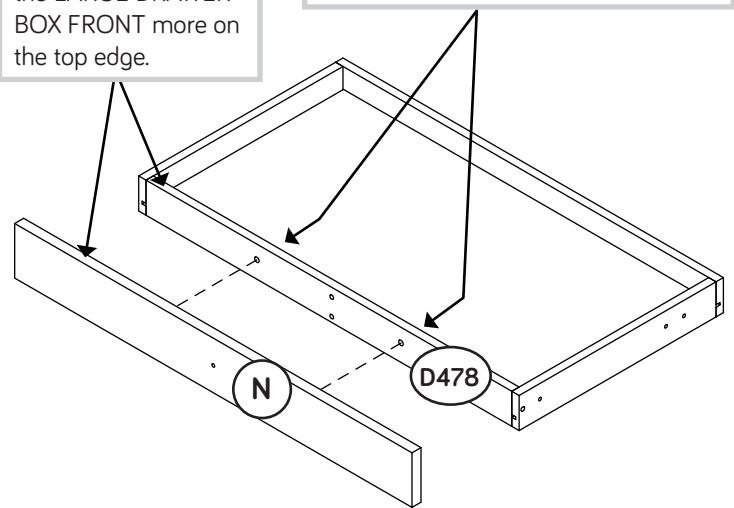
Fasten the LARGE DRAWER BOX FRONT (D478) to the DRAWER SIDES (D266 and D267) and DRAWER BRACE (P). Use three BLACK 1-9/16" FLAT HEAD SCREWS (30S).

4



BLACK 7/8" LARGE HEAD SCREW
(2 used in this step)

The LARGE DRAWER FRONT will over hang the LARGE DRAWER BOX FRONT more on the top edge.

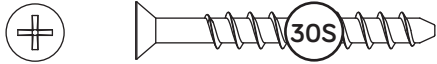


Fasten the LARGE DRAWER FRONT (N) to the LARGE DRAWER BOX FRONT (D478). Use two BLACK 7/8" LARGE HEAD SCREWS (17S).

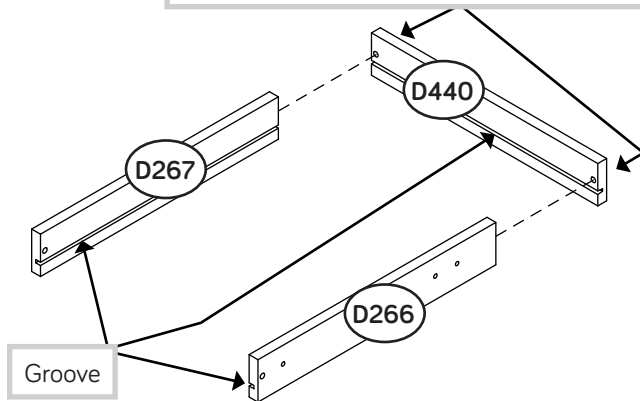
Step 13

1

Start each screw a few turns before completely tightening any of them.

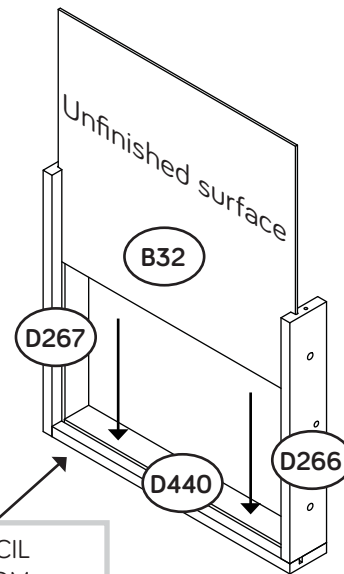


BLACK 1-9/16" FLAT HEAD SCREW
(2 used in this step)



- Fasten the DRAWER SIDES (D266 and D267) to the SMALL DRAWER BACK (D440). Use two BLACK 1-9/16" FLAT HEAD SCREWS (30S).

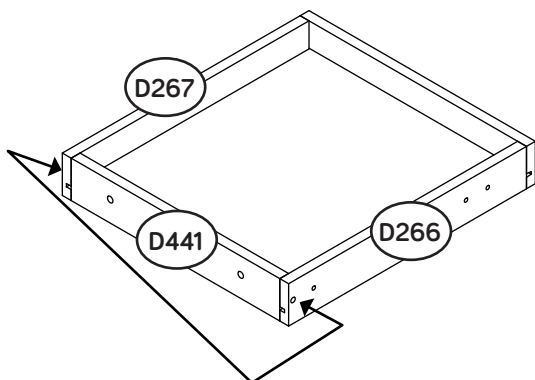
2



Be sure the PENCIL DRAWER BOTTOM inserts into the PENCIL DRAWER BACK groove.

- Slide the SMALL DRAWER BOTTOM (B32) into the grooves in the DRAWER SIDES (D266 and D267) and SMALL DRAWER BACK (D440).

3



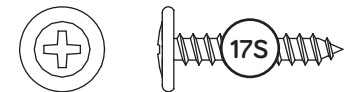
Start each screw a few turns before completely tightening any of them.



BLACK 1-9/16" FLAT HEAD SCREW
(2 used in this step)

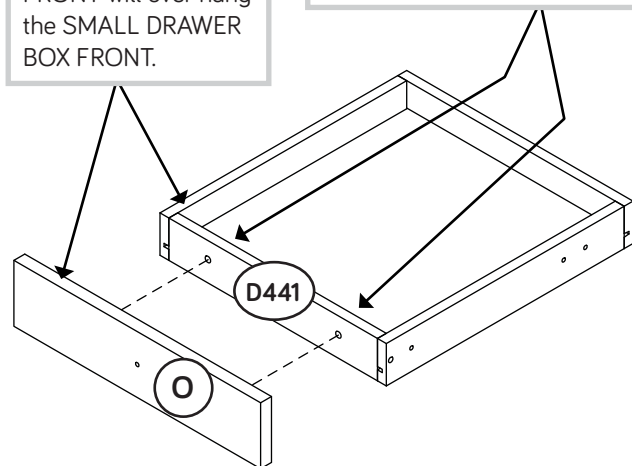
- Fasten the SMALL DRAWER BOX FRONT (D441) to the DRAWER SIDES (D266 and D267). Use two BLACK 1-9/16" FLAT HEAD SCREWS (30S).

4



BLACK 7/8" LARGE HEAD SCREW
(2 used in this step)

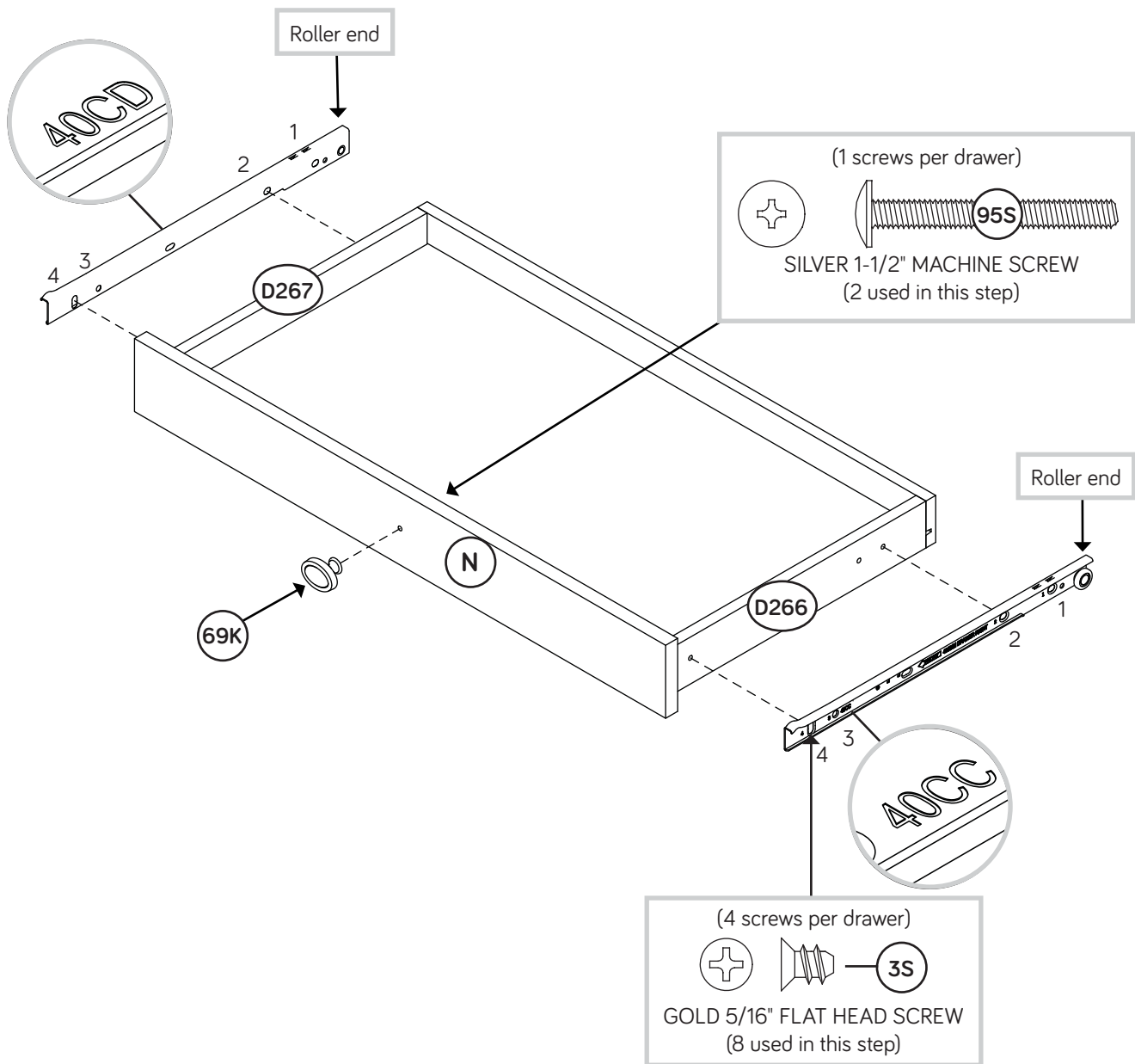
The SMALL DRAWER FRONT will over hang the SMALL DRAWER BOX FRONT.



- Fasten the SMALL DRAWER FRONT (O) to the SMALL DRAWER BOX FRONT (D441). Use two BLACK 7/8" LARGE HEAD SCREWS (17S).

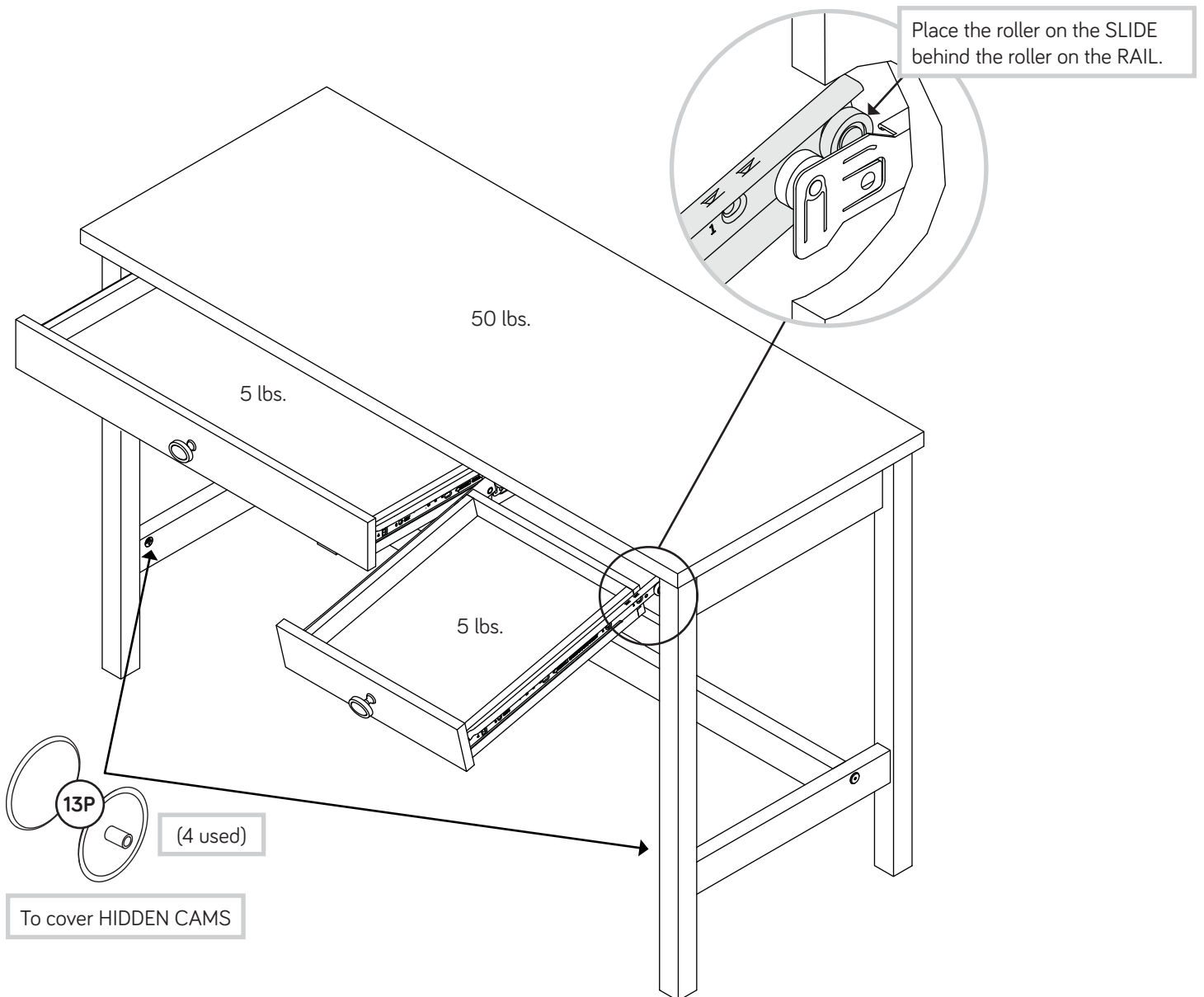
Step 14

- Fasten the DRAWER RIGHT (40CC) and DRAWER LEFT (40CD) to the DRAWER SIDES (D266 and D267). Use four GOLD 5/16" FLAT HEAD SCREWS (3S) through holes #2 and #4.
- Fasten a KNOB (69K) to the DRAWER FRONT (N). Use a SILVER 1-1/2" MACHINE SCREW (95S).
- Repeat this step for the small drawer.



Step 15

- ✚ Push a CAM COVER (13P) onto each HIDDEN CAM.
- ✚ To insert the drawers into your unit, tip the front of the drawers down and drop the rollers on the drawers behind the rollers on the unit. Lift the front of the drawers up and slide them into the unit.
- ✚ **NOTE:** Please read the back pages of the instruction booklet for important safety information.
- ✚ This completes assembly. Clean with your favorite furniture polish or a damp cloth. Wipe dry.



⚠ WARNING

Please use your furniture correctly and safely. Improper use can cause safety hazards, or damage to your furniture or household items. *Carefully read the following chart.*

Look out for:	What can happen:	How to avoid the problem:
<ul style="list-style-type: none">• Overloaded shelves and drawers.• Improper loading can cause the product to be top-heavy.	<ul style="list-style-type: none">• Risk of injury.• Top-heavy furniture can tip over.• Overloaded shelves and drawers can break.	<ul style="list-style-type: none">• Never exceed the weight limits shown in the instructions.• Work from bottom to top when loading shelves and drawers. Place the heavier items on the lower shelves or in lower drawers.
<ul style="list-style-type: none">• Improperly moving furniture that is not designed and equipped with casters.	<ul style="list-style-type: none">• Furniture can tip over or break if improperly moved.• Physical injury. Furniture can be very heavy.• Breakage of tops - particularly with double pedestal furniture (drawers at both ends).	<ul style="list-style-type: none">• Unload shelves and drawers from top to bottom before moving the unit.• Do not push furniture, especially on a carpeted floor. Have a friend help you lift the item and set it in place.• Provide support to the center section of the top when lifting the furniture.
<ul style="list-style-type: none">• Placing TVs on furniture items that are not designed to support a television is hazardous.	<ul style="list-style-type: none">• Risk of injury or death. TVs can be very heavy. Plus the weight and location of the picture tube tends to make TVs unbalanced and prone to tipping forward.	<ul style="list-style-type: none">• This product is not designed to support a television.