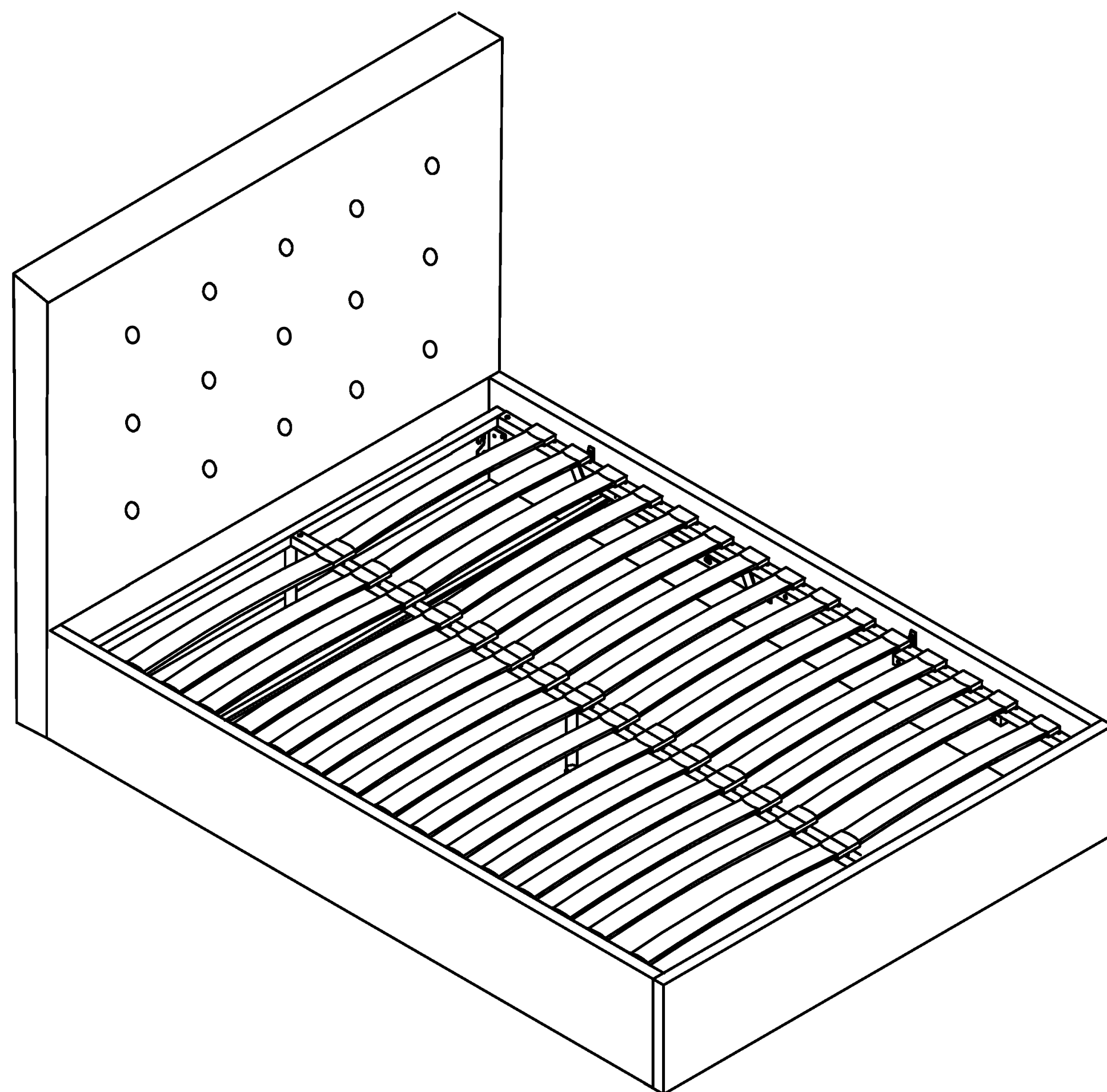


ASSEMBLY INSTRUCTIONS



IMPORTANT

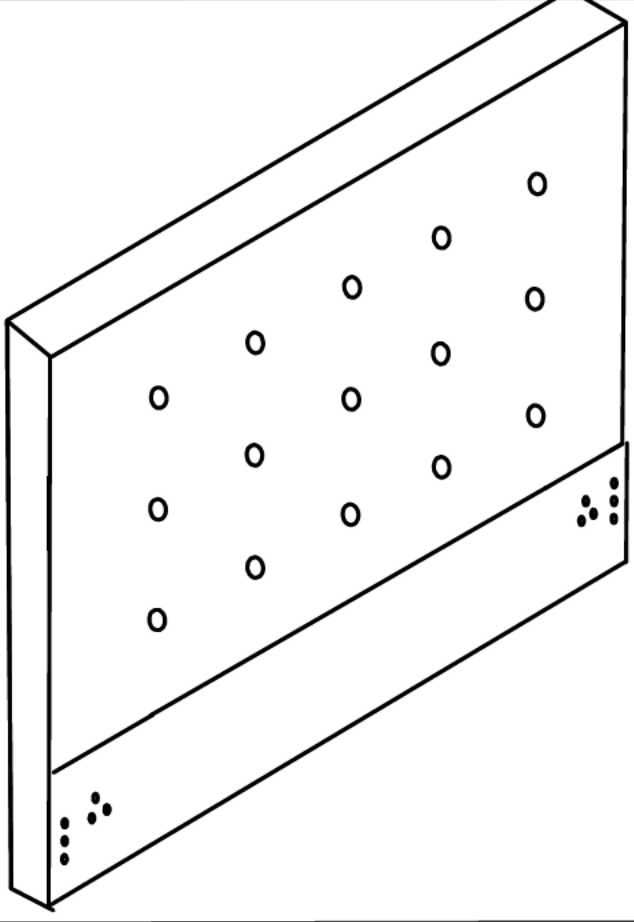
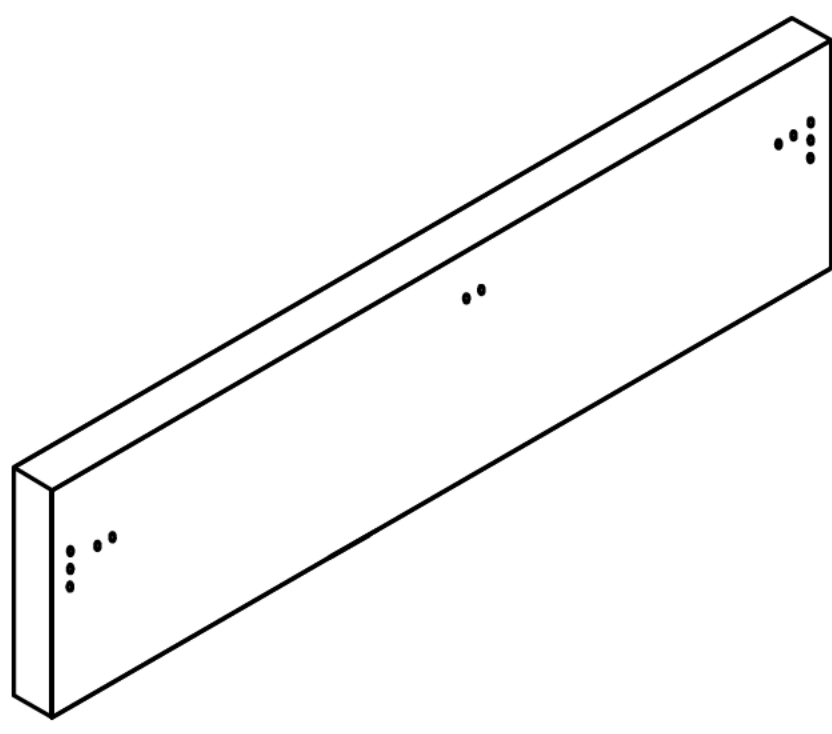
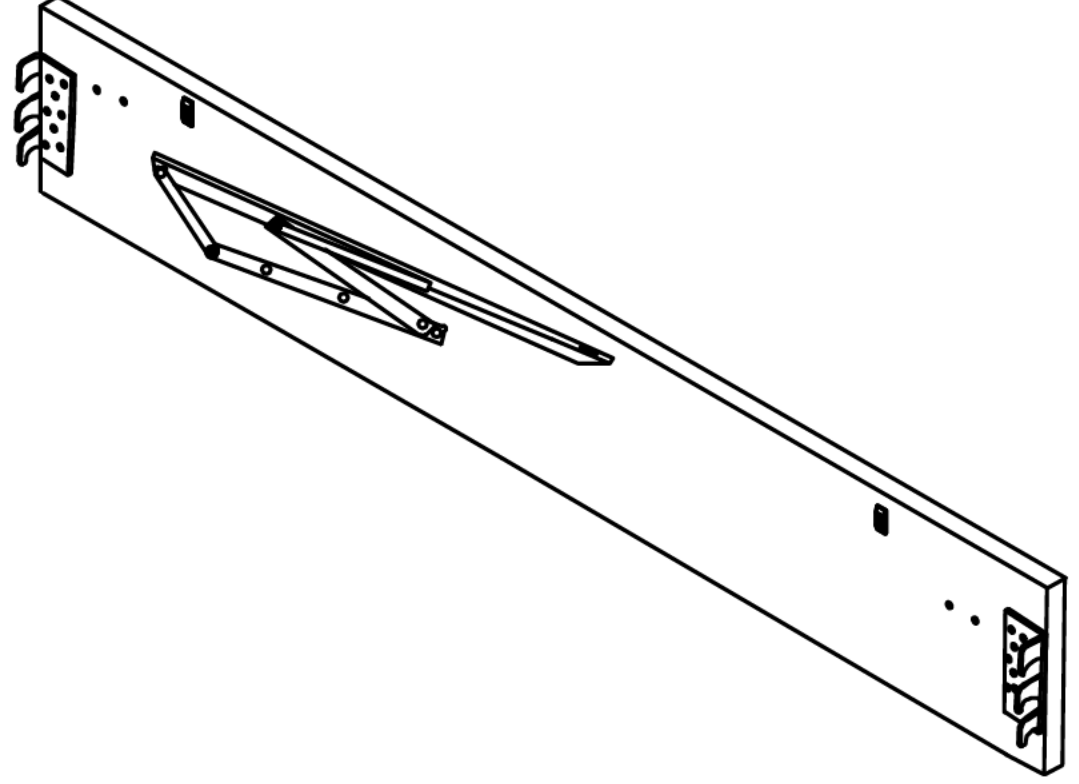
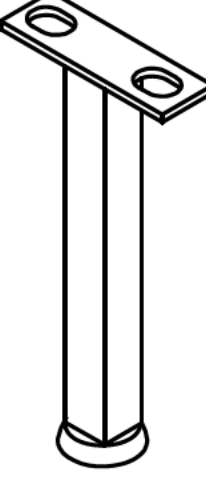
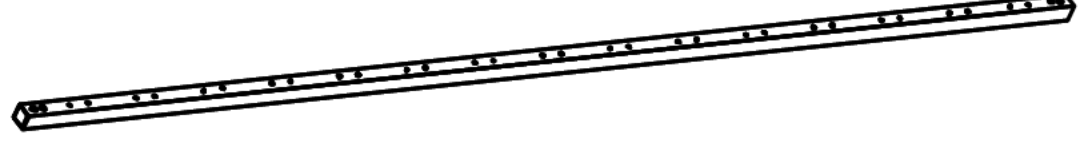
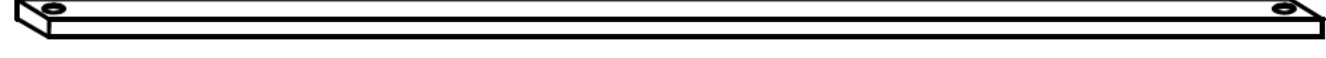
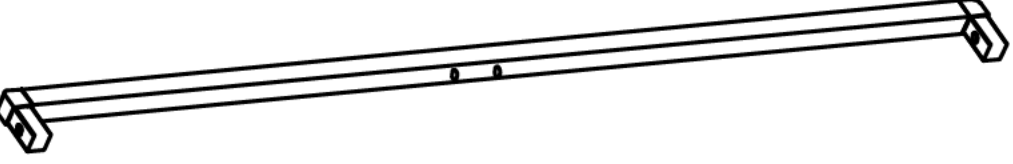
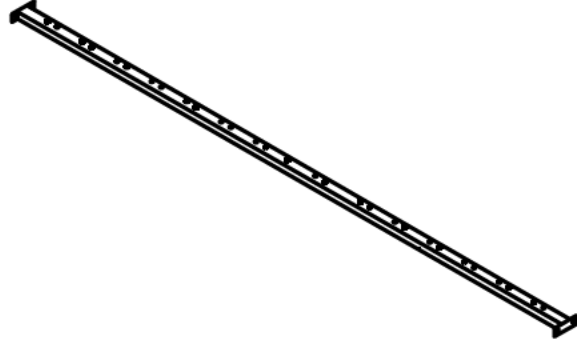
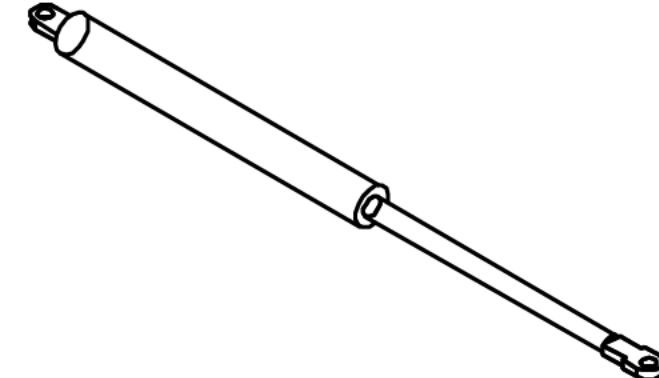
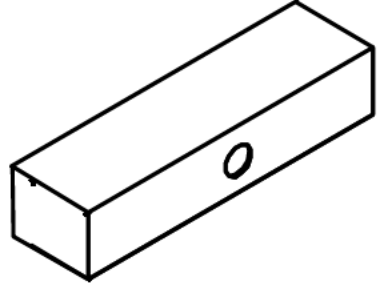
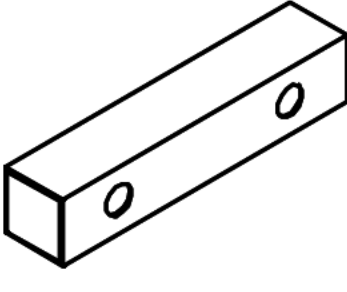
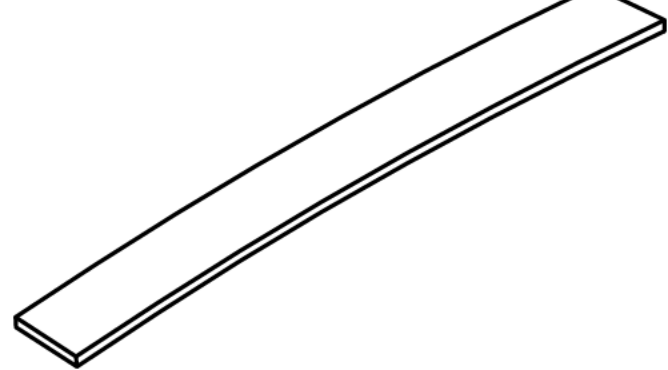
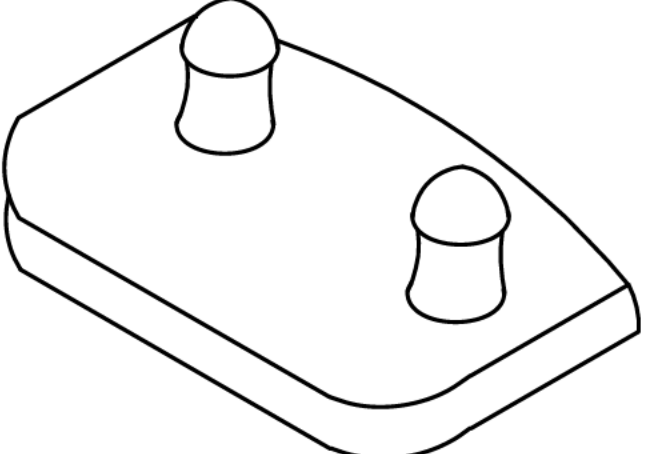
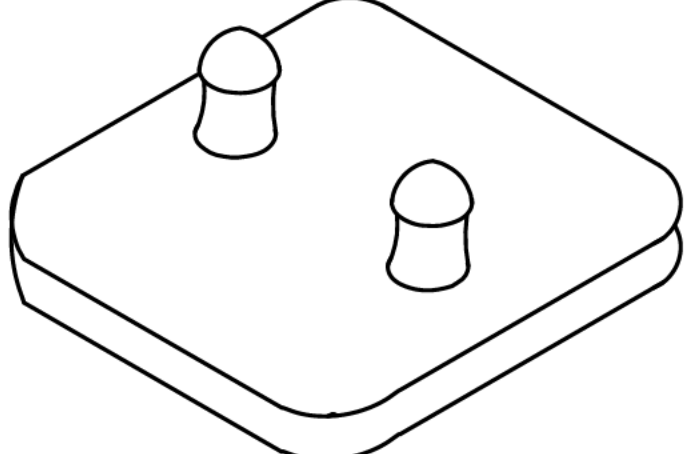
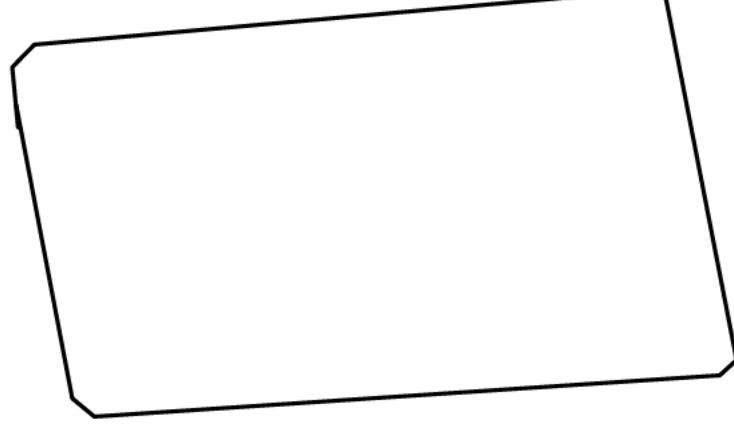
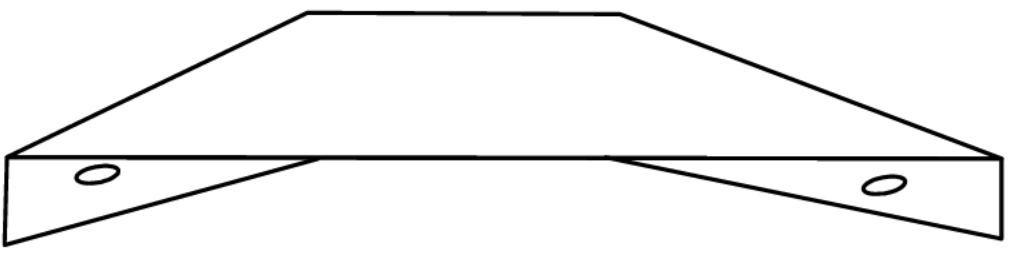
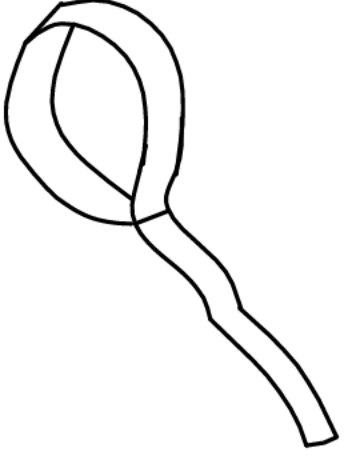
PLEASE READ BEFORE YOU CONTINUE FURTHER

- PLEASE KEEP THE ORIGINAL PACKAGING UNTIL THE ITEM IS FULLY ASSEMBLED AND IN PLACE. IN THE UNLIKELY EVENT YOU NEED TO RETURN YOUR PRODUCT, IT MUST BE RETURNED IN ITS ORIGINAL PACKAGING TO AVOID FURTHER DAMAGE.
- THE PRODUCT YOU HAVE PURCHASED WILL GIVE YOU MANY YEARS OF SERVICE IF YOU FOLLOW THE GUIDELINES FOR ITS SAFE ASSEMBLY AND PERIODIC MAINTENANCE AND CLEANING.
- ASSEMBLE ON A SOFT CLEAN SURFACE.
- DO NOT USE ANY TOOLS OTHER THAN THOSE SHOWN.
- ANY SPANNERS OR ALLEN KEYS REQUIRED ARE INCLUDED WITH THE FITTINGS KIT.
- DO NOT FOR ANY REASON USE A POWER TOOL TO ASSEMBLE THIS PRODUCT.
- ITS USE WILL INVALIDATE ANY CLAIM YOU MAY HAVE AND COULD MAKE THIS PRODUCT UNSAFE.
- DEPENDING ON THE AMOUNT OF USE THIS PRODUCT RECEIVES, IT MAY BE NECESSARY TO TIGHTEN UP THE FIXINGS FROM TIME TO TIME. COMPLETELY NORMAL FOR ANY FLAT PACK FURNITURE.
- DO NOT OVERTIGHTEN FIXINGS.
- FOR CLEANING YOU MAY USE A DAMP CLOTH (NOT WET).
- THE SURFACE OF THIS ITEM IS NOT HEAT RESISTANT.
- ALWAYS USE A PLACE MAT UNDER HOT OR COLD ITEMS TO PREVENT MARKING.
- IF THE ROOM YOU PLAN TO USE YOUR NEW BED IN HAS A LAMINATE OR WOOD FLOOR, WE HIGHLY RECOMMEND YOU PURCHASE SOME ANTI-SKID PADS TO FIT TO THE UNDERSIDE OF THE FEET OF THE BED.
- FLOORS OF THIS NATURE OFFER NO GRIP, WHICH OVER A SMALL PERIOD OF TIME CAN RESULT IN THE BED FITTINGS & COMPONENTS COMING LOOSE OR BREAKING ALTOGETHER DUE TO THEM SLOWLY SLIPPING ON THE FLOOR.
- THESE GRIPS WILL ALSO PROTECT YOUR FLOOR FROM ANY MARKING THAT MAY BE CAUSED BY YOUR FURNITURE SLIPPING IN THIS MANNER.
- THESE PADS CAN BE BOUGHT FROM MOST GOOD DRY SHOPS OR SUPERSTORES AND ARE RELATIVELY INEXPENSIVE.

ASSEMBLY INSTRUCTIONS

PLEASE CHECK THE PACK CONTENTS BEFORE ASSEMBLING THE PRODUCT.
IF ANY COMPONENTS ARE MISSING,
PLEASE CONTACT YOUR RETAILER. THE FITTINGS PACK CONTAINS SMALL
ITEMS THAT SHOULD BE KEPT AWAY FROM
SMALL CHILDREN.

Parts

<p>1</p> 	<p>2</p> 	<p>3</p> 
<p>Description:HEADBOARD Qty : 1 PC Carton No: 1 OF2</p>	<p>Description:FOOTBOARD Qty: 1 PC Carton No: 1OF2</p>	<p>Description:SIDE RAIL (Left & Right) Qty: 2 PCS Carton No: 2 OF 2</p>
<p>4</p> 	<p>5</p> 	<p>6</p> 
<p>Description:CENTRE SUPPORT LEGS Qty: 2 PCS Carton No: 1 OF 2</p>	<p>Description:SIDE RAIL Qty: 2PCS Carton No: 2 OF 2</p>	<p>Description:CENTRE CROSS RAIL Qty: 2 PCS Carton No: 1 OF 2</p>
<p>7</p> 	<p>8</p> 	<p>9</p> 
<p>Description:FRONT&BACK TUBE Qty: 2PCS Carton No: 1 OF 2</p>	<p>Description:CENTRE RAIL Qty: 1PC Carton No: 2 OF 2</p>	<p>Description :GAS LIFT Qty: 2PCS Carton No: 2 OF 2</p>
<p>10</p> 	<p>11</p> 	<p>12</p> 
<p>Description: WOOD BASE SUPPORT Qty: 2PCS Carton No: 1 OF 2</p>	<p>Description:BASE SUPPORT Qty: 1PC Carton No: 1 OF 2</p>	<p>Description:WOODEN SLATS Qty: 26 PCS Carton No: 1 OF2</p>
<p>13</p> 	<p>14</p> 	<p>15</p> 
<p>Description:END CAPS Qty: 26 PCS Carton No: 1 OF 2</p>	<p>Description:CENTER PLASTIC CONNECTORS Qty: 13PCS Carton No: 1 OF 2</p>	<p>Description:NON-WOVEN FABRIC Qty: 1PC Carton No: 1 OF 2</p>
<p>16</p> 	<p>17</p> 	
<p>Description:METAL CORNER PLATE Qty: 4PCS Carton No: 1 OF 2</p>	<p>Description:STRAP Qty: 1PC Carton No: 1 OF 2</p>	

ASSEMBLY INSTRUCTIONS

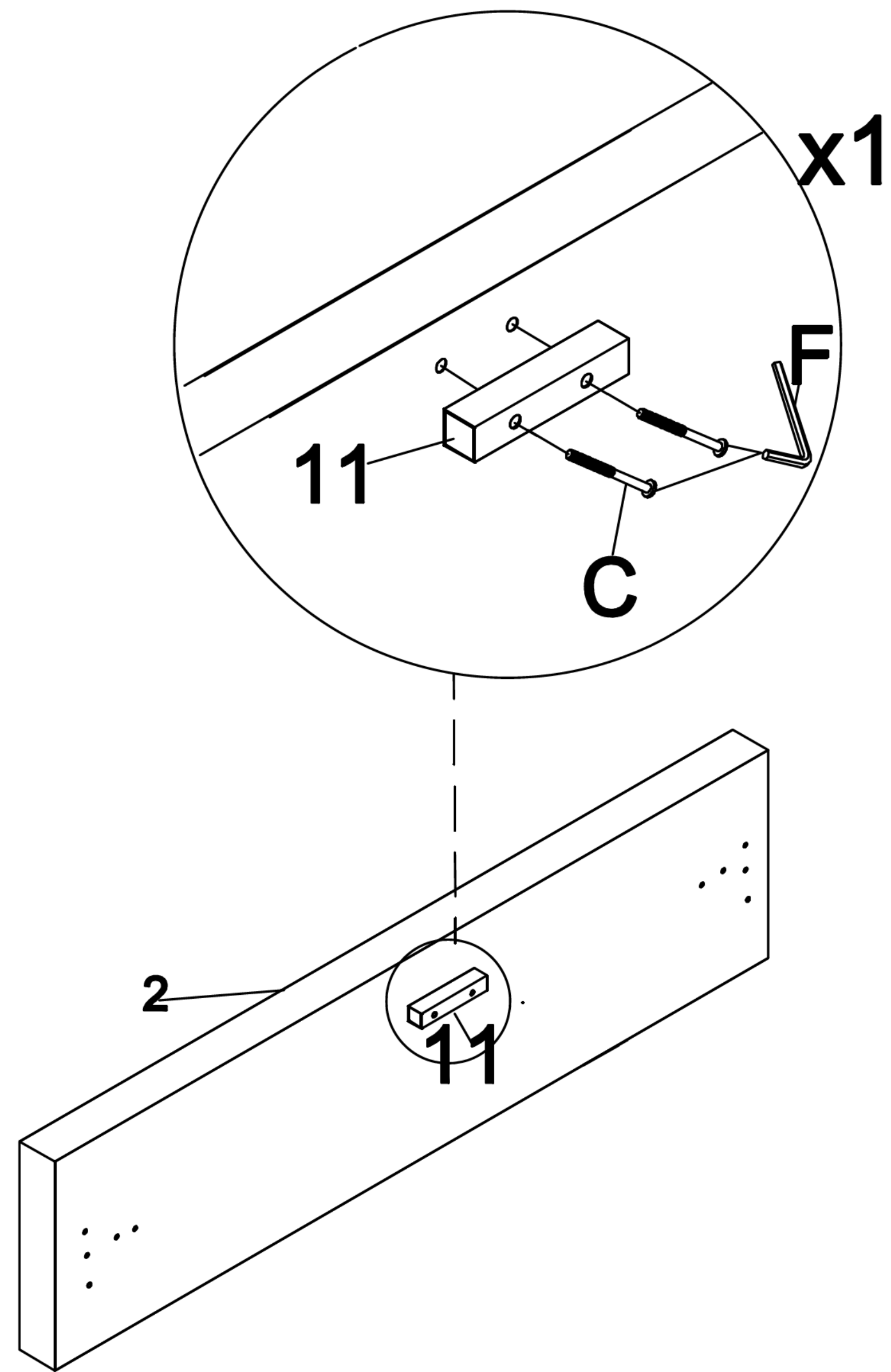
HARDWARE LIST

A		BOLT Ø5/16 X 27MM	28PCS
B		BOLT Ø5/16 X 43MM	12PCS
C		BOLT Ø5/16 X 53MM	10PCS
D		NUT	18PCS
E		WASHER Ø5/16	20PCS
F		5MM ALLEN KEY	1PC
G		SPANNER	1PC
H		BIG SPANNER	1PC

ASSEMBLY INSTRUCTIONS

STEP1

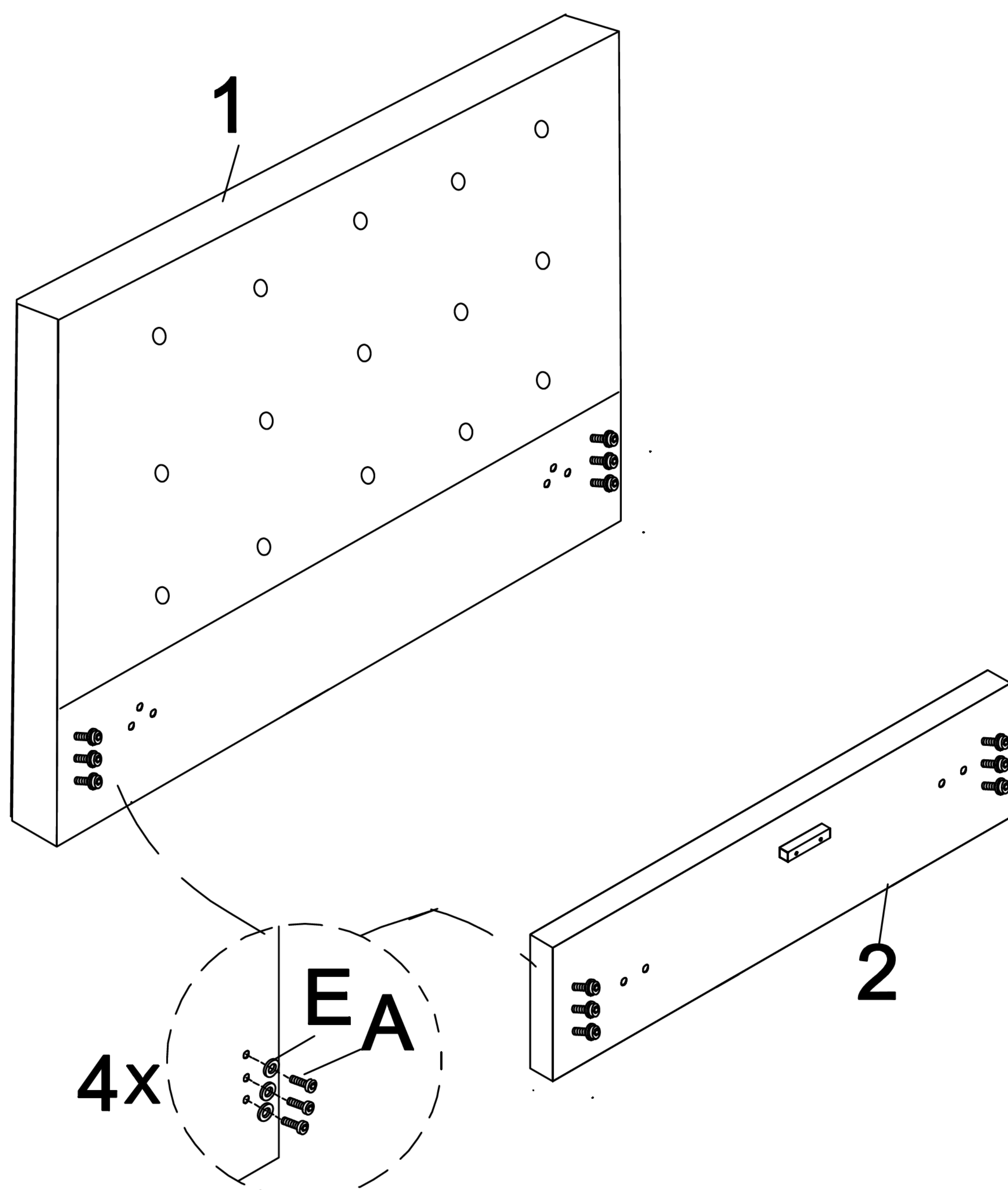
PARTS REQUIRED



- 1.FOOTBOARD(2)
1PC
- 2.BASE SUPPORT
(11)1PC
- 3.BOLT(C)Ø5/
16X53MM
2PCS
- 4.ALLEN KEY(F)
1PC

STEP2

PARTS REQUIRED

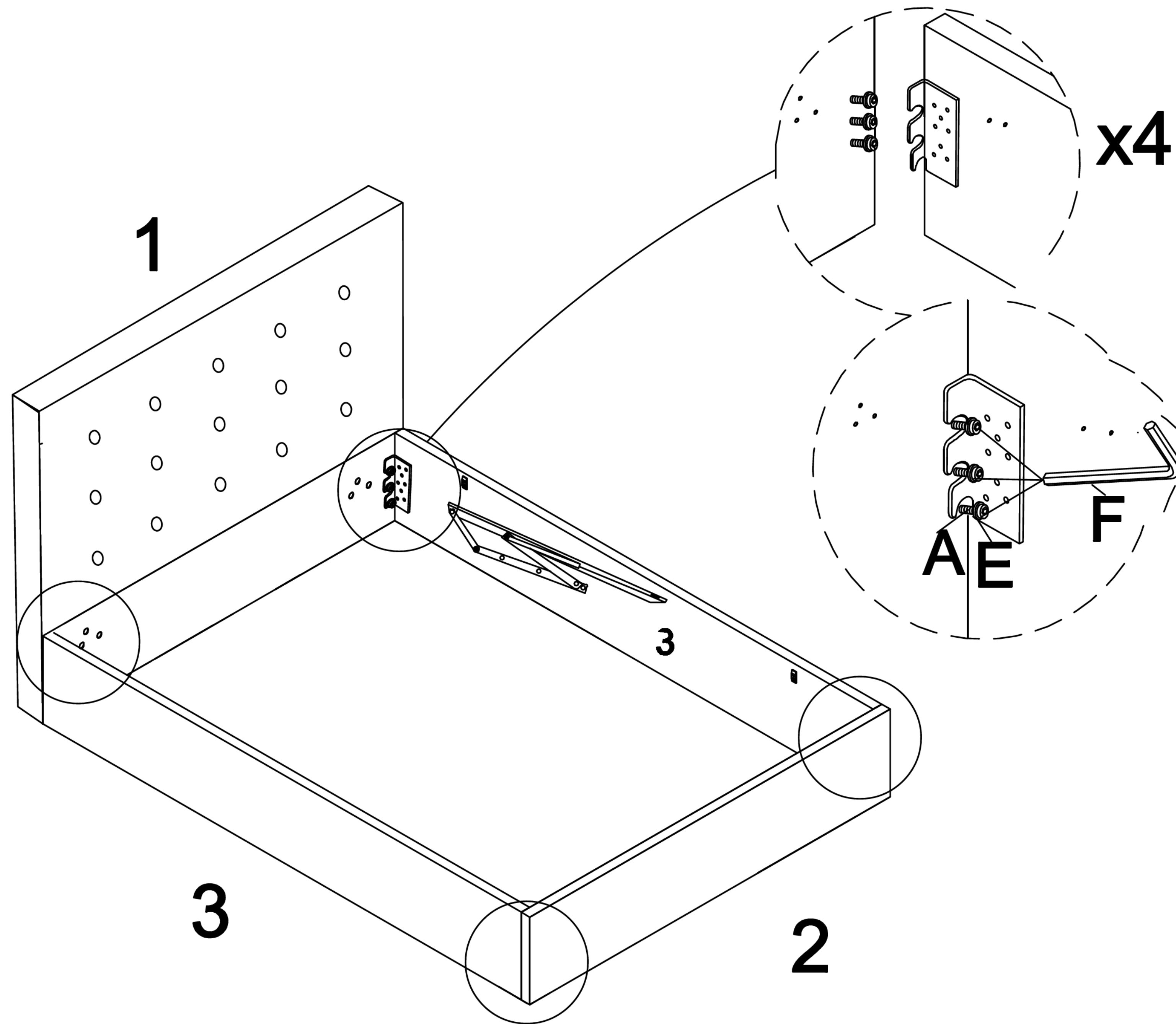


- 1.HEADBOARD(1)
1PC
- 2.FOOTBOARD(2)
1PC
- 3.BOLT(A)Ø5/
16X27MM
12PCS
- 4.WASHER(E)Ø
5/16 12PCS

ASSEMBLY INSTRUCTIONS

STEP 3

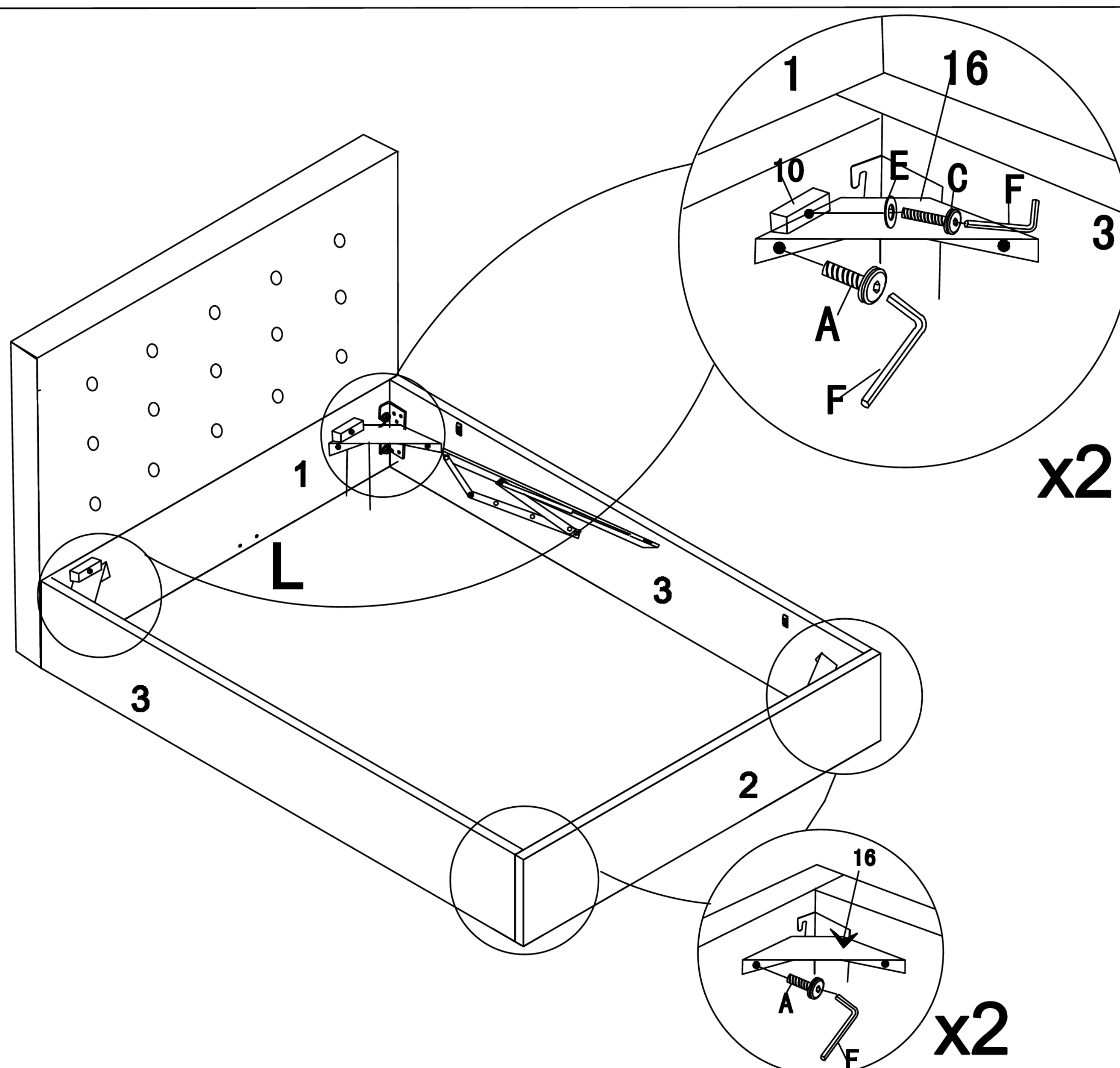
PARTS REQUIRED



- 1. ALLEN KEY(F)
1PC
- 2.HEADBOARD
(1) 1PC
- 3.FOOTBOARD
(2) 1PC
- 4.SIDE RAIL(3)
2PCS

STEP 4

PARTS REQUIRED



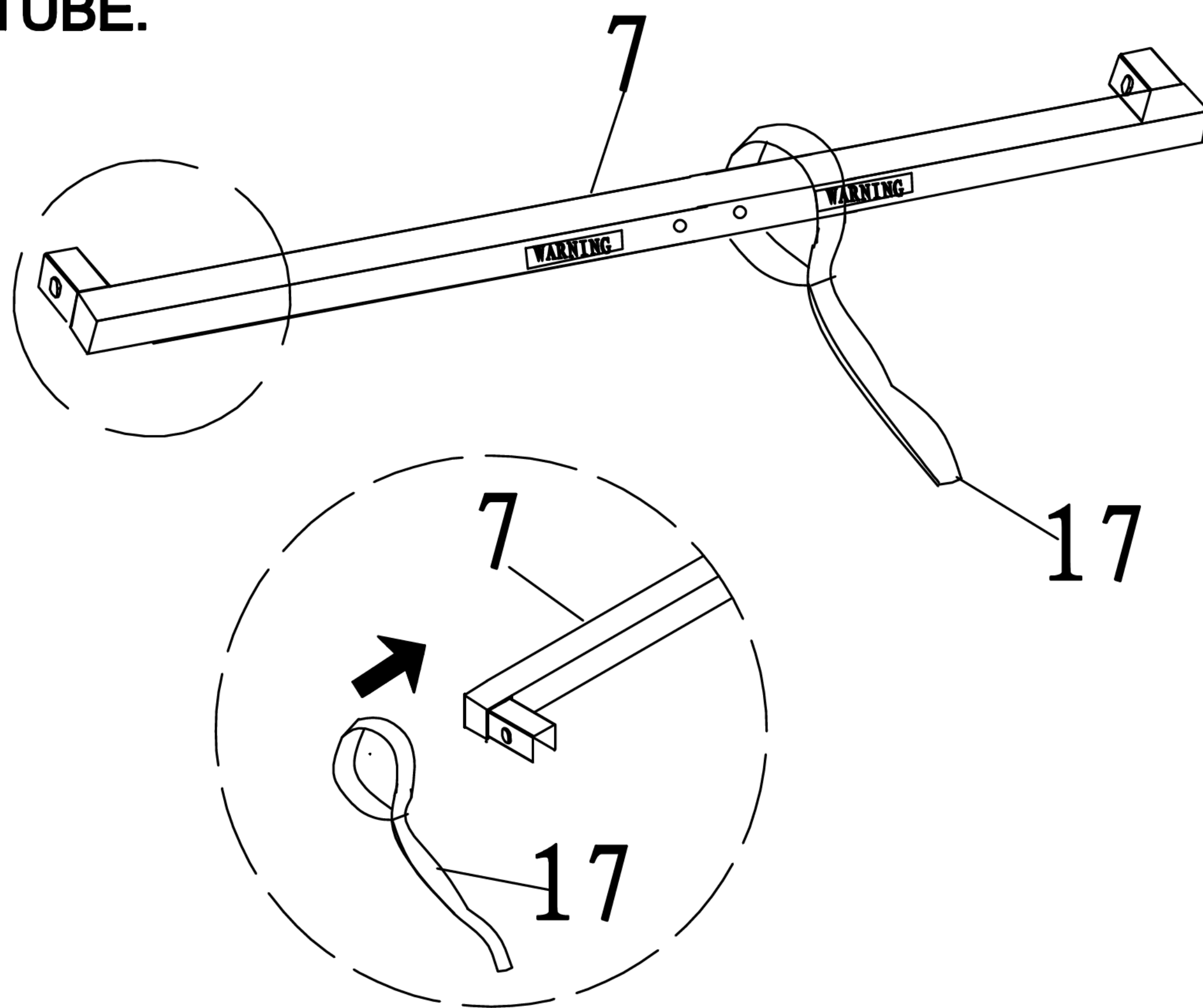
- 1.BOLT Ø5/16
X27MM (A)
16PCS
- 2.BOLT Ø5/16
X53MM (C)
2PCS
- 3.CORNER
PLATE(16)
4PCS
- 4.WOOD BASE
SUPPORT (10)2PCS
- 5.ALLEN KEY (F)
1PC
- 6.WASHER(E)Ø
5/16 2PCS

ASSEMBLY INSTRUCTIONS

STEP 5

PARTS REQUIRED

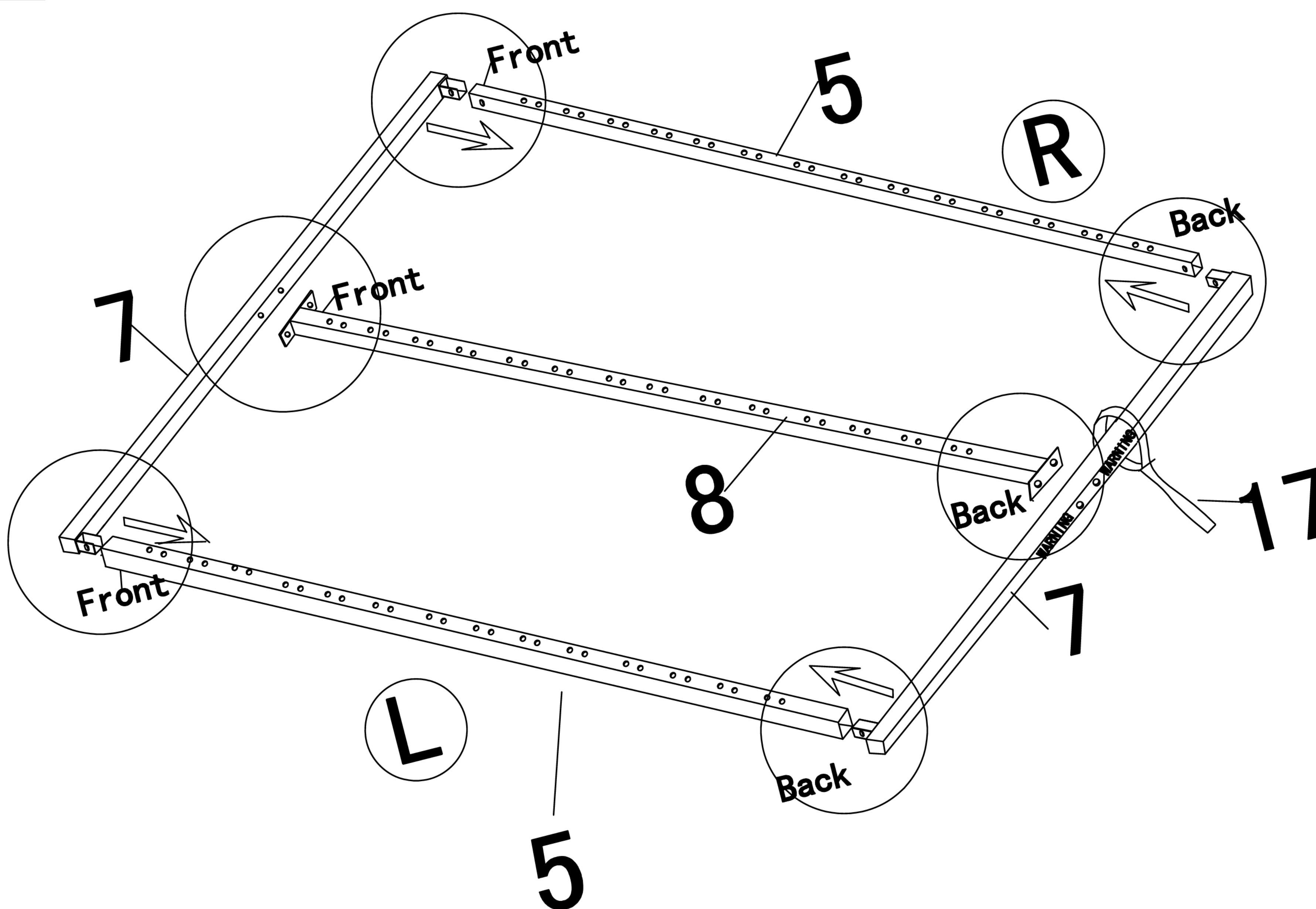
NOTICE THAT THE WARNING SIGN IS THE BACK TUBE.



- 1.FRONT &BACK TUBE(7)
1PC
- 2.STRAP (17)
1PC

STEP 6

PARTS REQUIRED

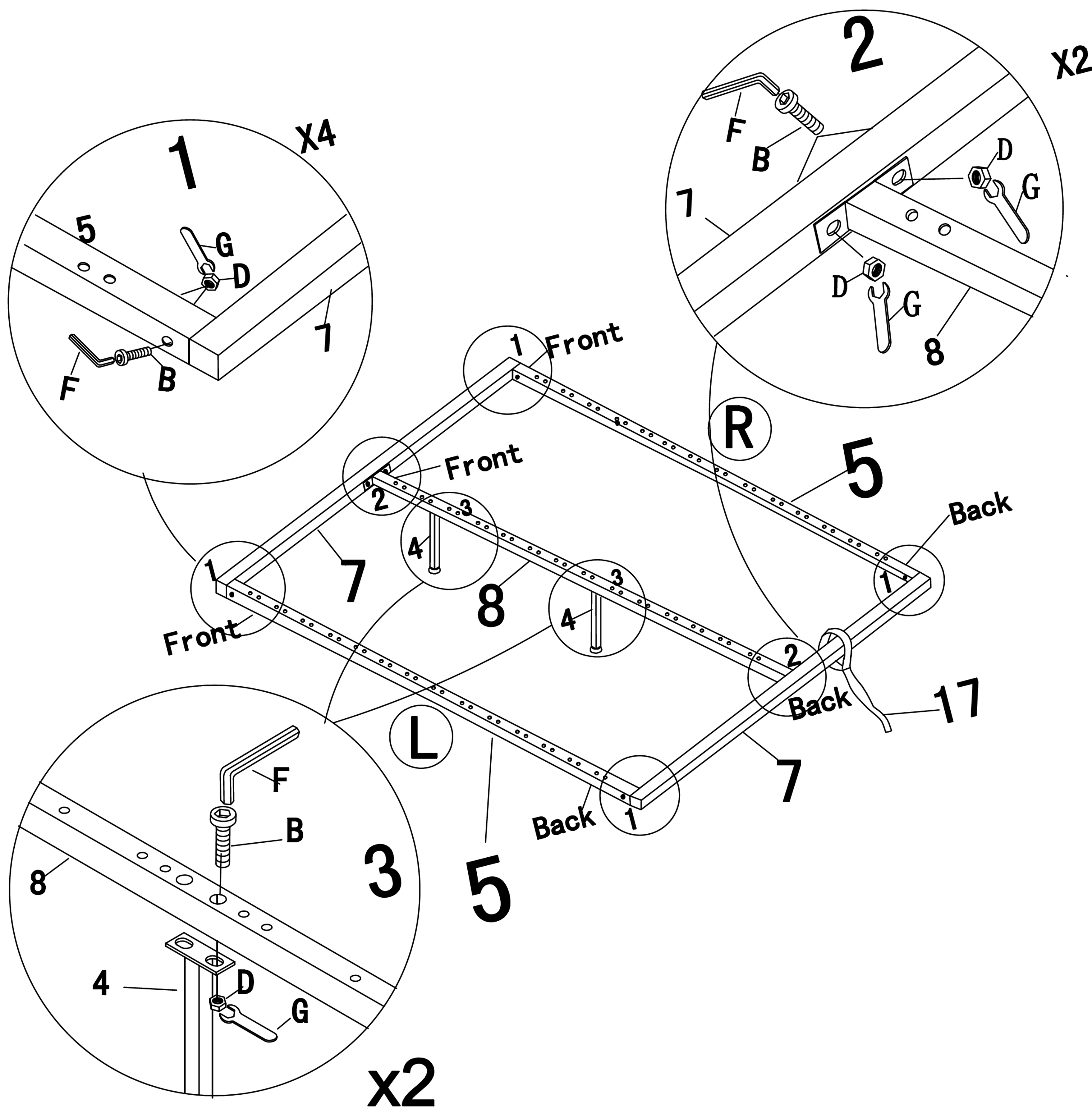


- 1.SIDE RAIL(5)
2 PCS (L&R)
- 2.FRONT &BACK TUBE (7)
2PCS
- 3.CENTRE RAIL(8)
1PC
- 4.STRAP(17)
1PC

ASSEMBLY INSTRUCTIONS

STEP 7

PARTS REQUIRED



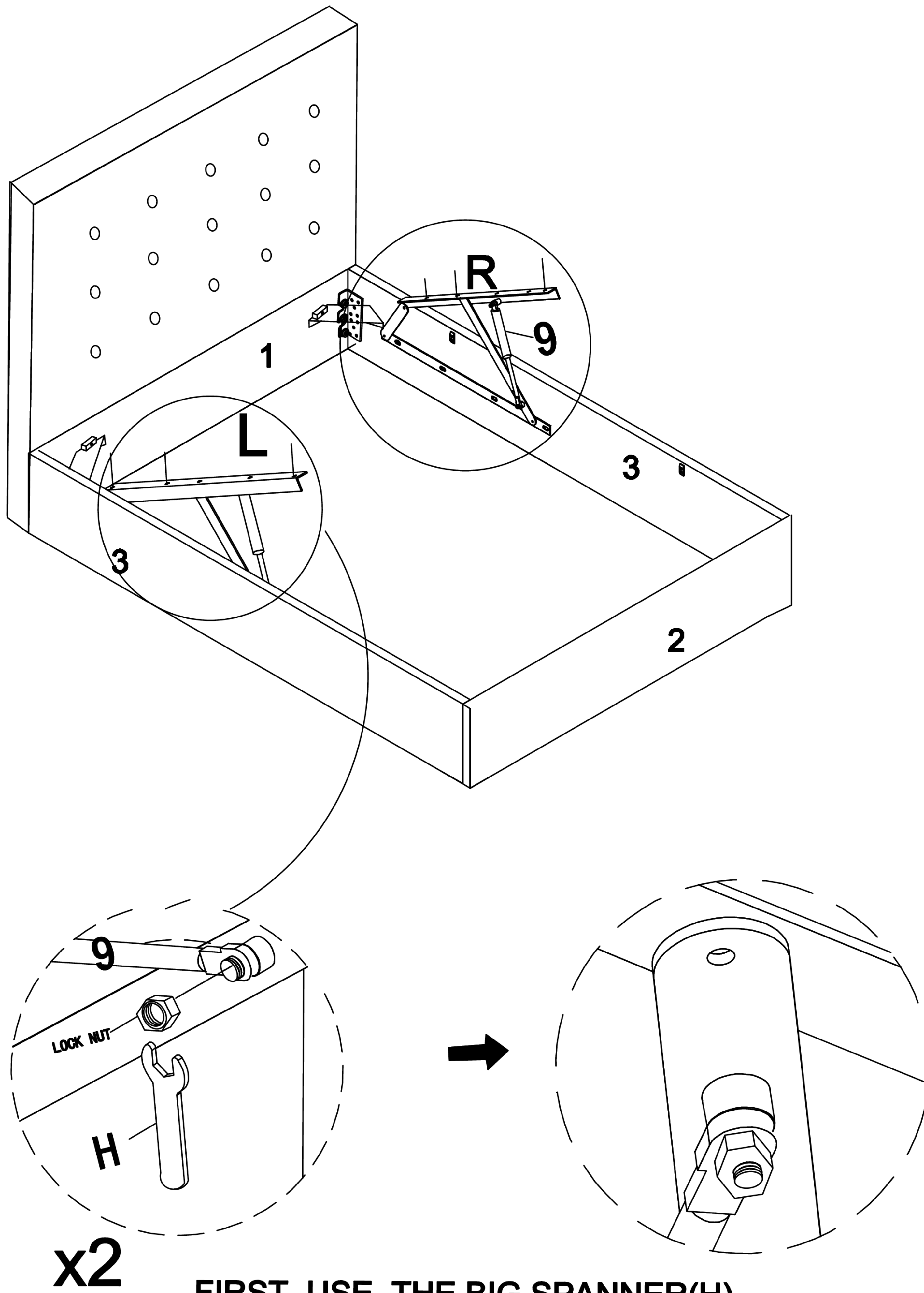
- 1. BOLT Ø5/16
X43MM (B)
12PCS
- 2. NUT(D) 12PCS
- 3. ALLEN
KEY (F) 1PC
- 4. SPANNER (G)
1PC
- 5. CENTRE
SUPPORT LEGS(4)
2PCS

ASSEMBLY INSTRUCTIONS

STEP 8

PARTS REQUIRED

1.BIG SPANNER(H)
1PC
2.GAS LIFT(9) 2PCS



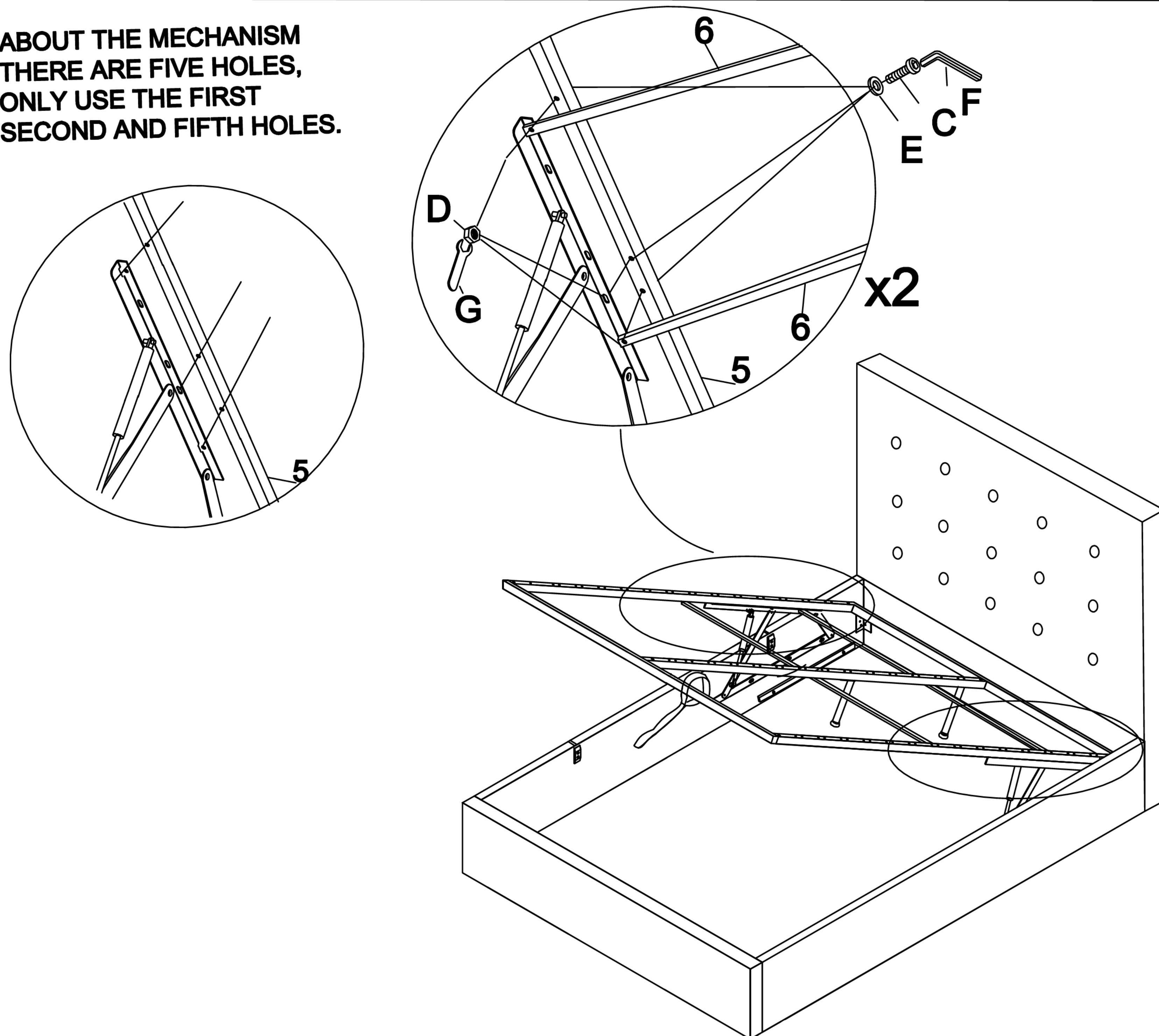
x2
FIRST. USE THE BIG SPANNER(H)
TO REMOVE THE LOCK NUT OUT ,
THEN PUT THE GAS LIFT ON MECHANISM
AFTER INSTALLING THE GAS LIFT(9),
TIGHTEN THE LOCK NUT WITH THE WRENCH.

ASSEMBLY INSTRUCTIONS

STEP9

PARTS REQUIRED

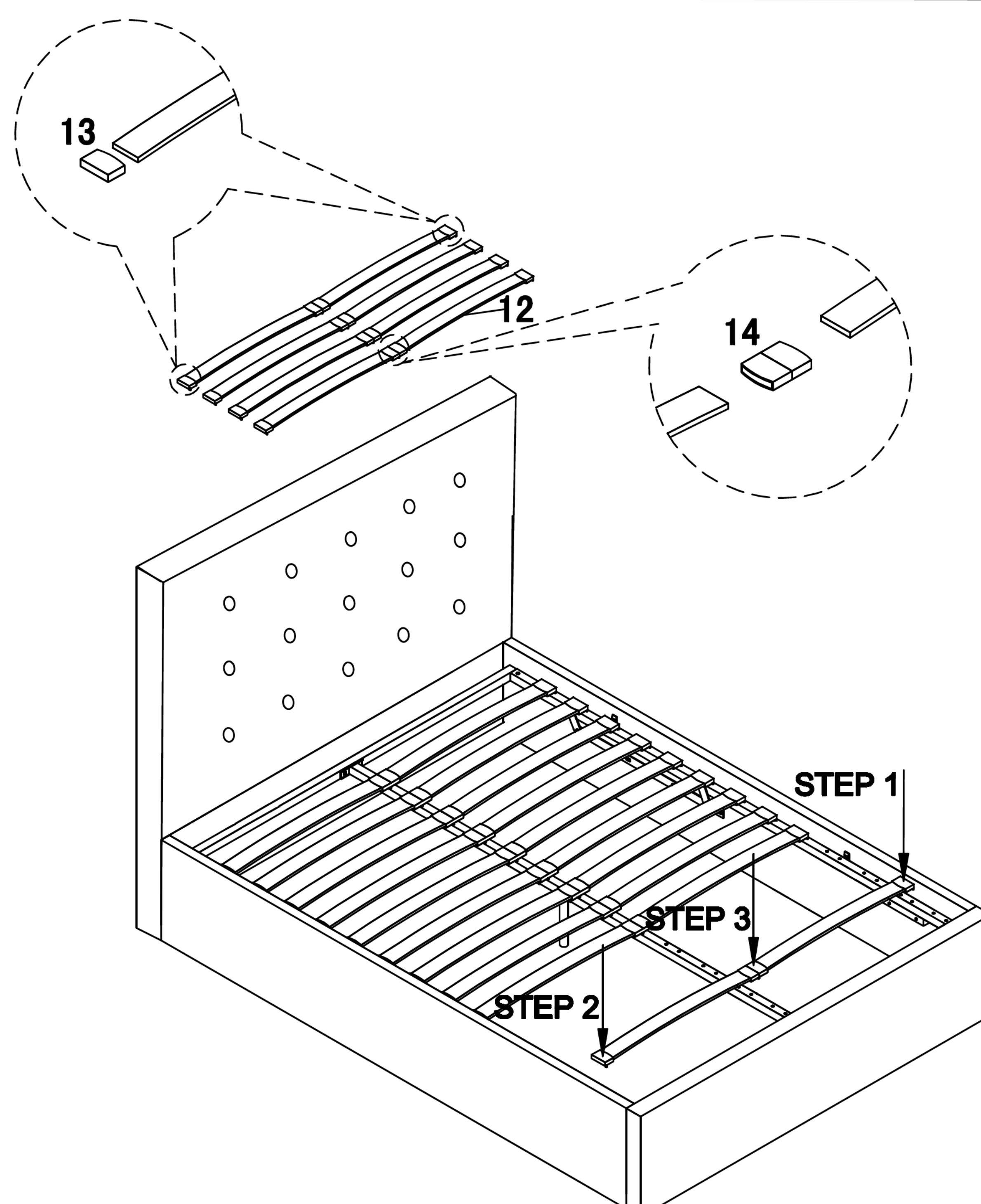
ABOUT THE MECHANISM THERE ARE FIVE HOLES, ONLY USE THE FIRST SECOND AND FIFTH HOLES.



- 1. BOLT Ø5/16 X53MM (C) 6PCS
- 2. NUT (D) 6PCS
- 3. ALLEN KEY (F) 1PC
- 4. SPANNER (G) 1PC
- 5. WASHER (E) Ø5/16 6PCS
- 6. CENTRE CROSS RAIL (6) 2PCS

STEP10

PARTS REQUIRED



- 1. WOODEN SLATS (12) 26PCS
- 2. END CAPS (13) 26PCS
- 3. CENTRE PLASTIC CONNECTORS (14) 13PCS

ASSEMBLY INSTRUCTIONS

STEP11

PARTS REQUIRED

PASTE NON-WOVEN FABRIC TO THE BOTTOM OF THE BED.

1.NON-WOVEN(15)
1PC

