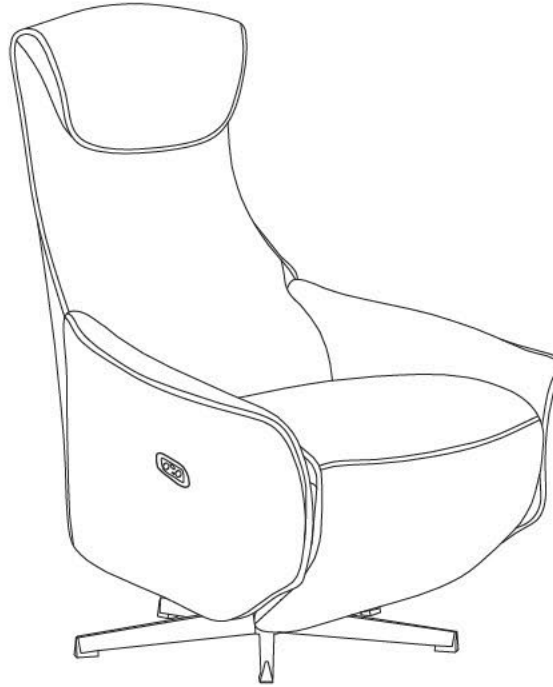


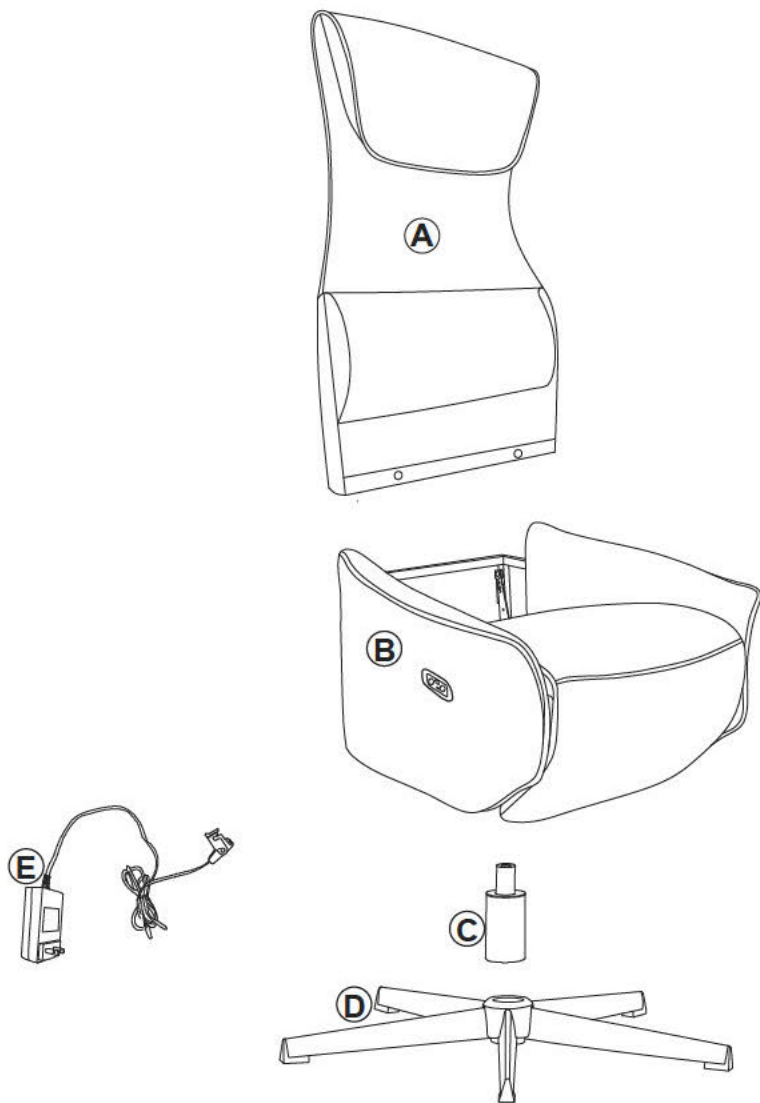
# Electric Power Recliner Assembly Instruction



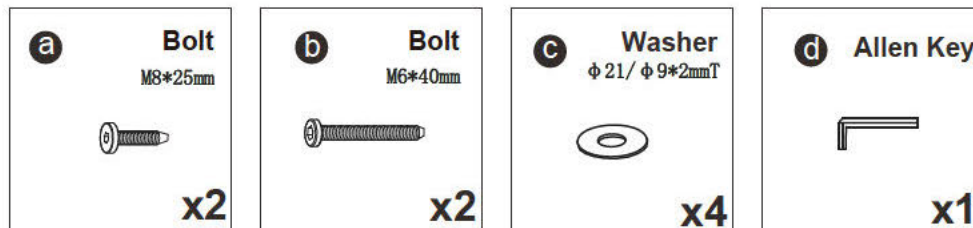
## **Dear Customers,**

Thank you for purchasing our product. Please read this instruction manual carefully after receiving this product. It will help you assemble this product quickly, safely and correctly. You can keep this manual for future reference.

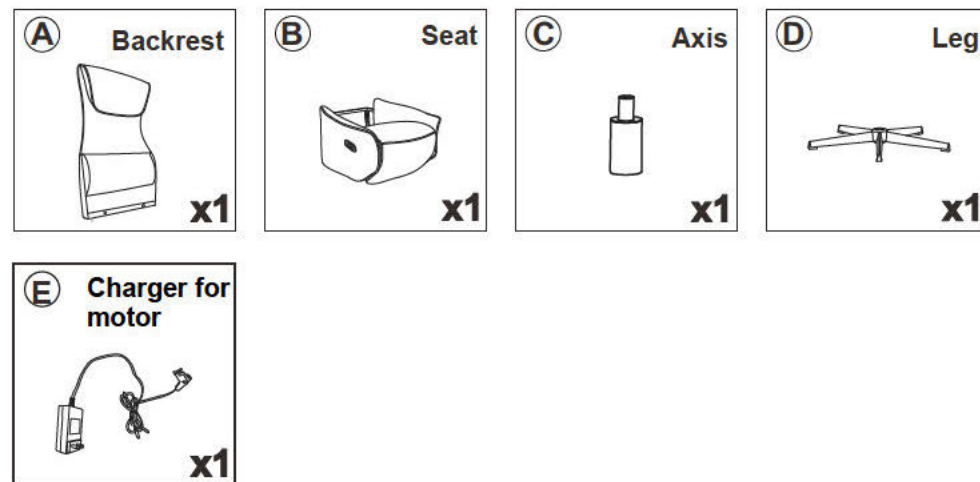
# Electric Power Recliner



## Hardware parts

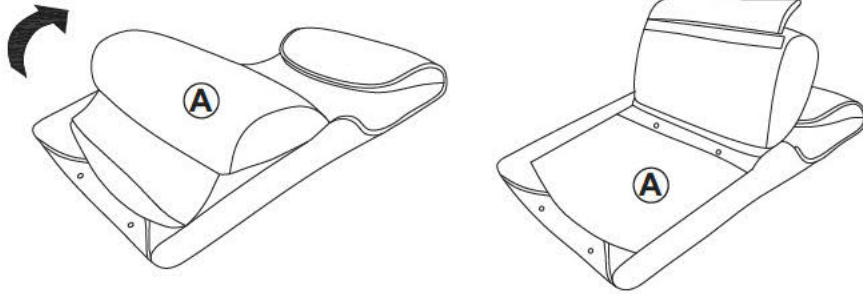


## Main structure accessories



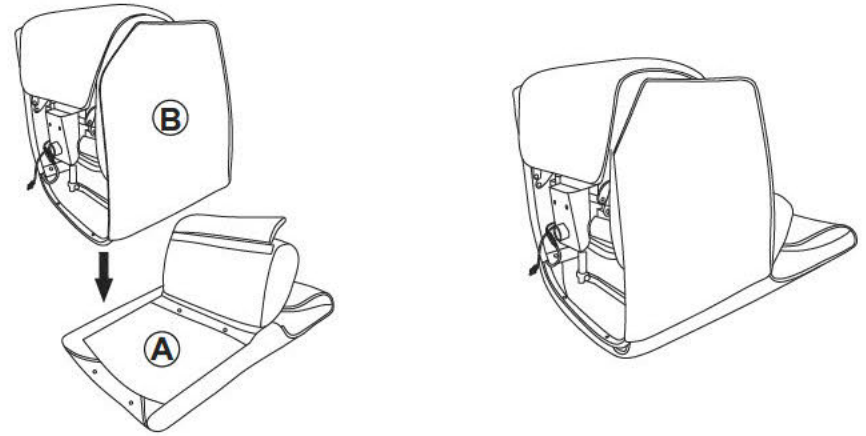
### STEP 1

Warning:  
Open the waist pad up

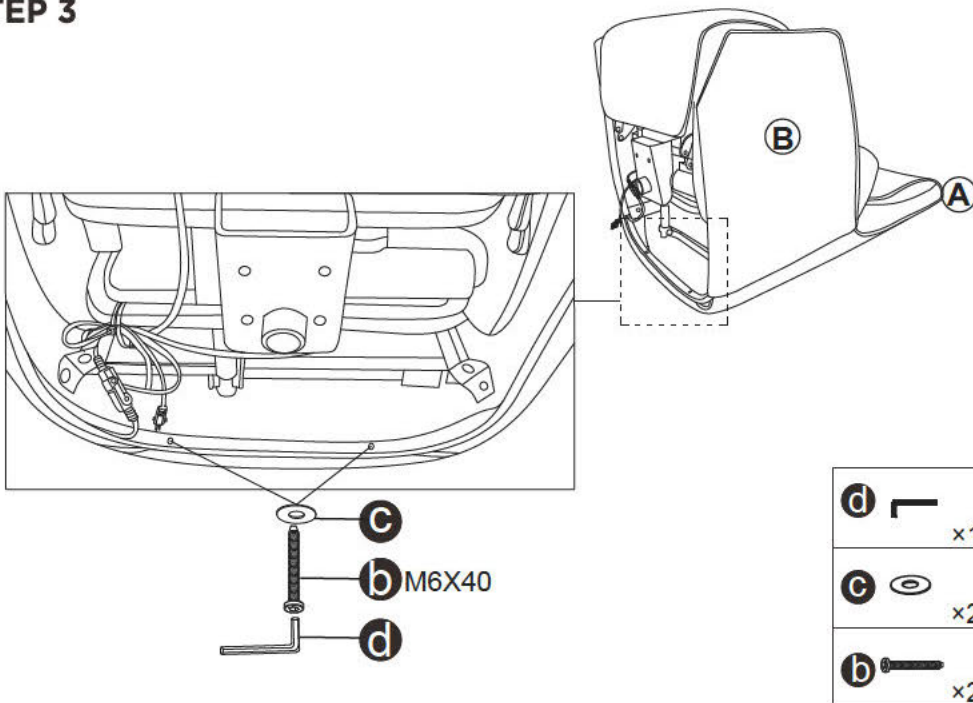


### STEP 2

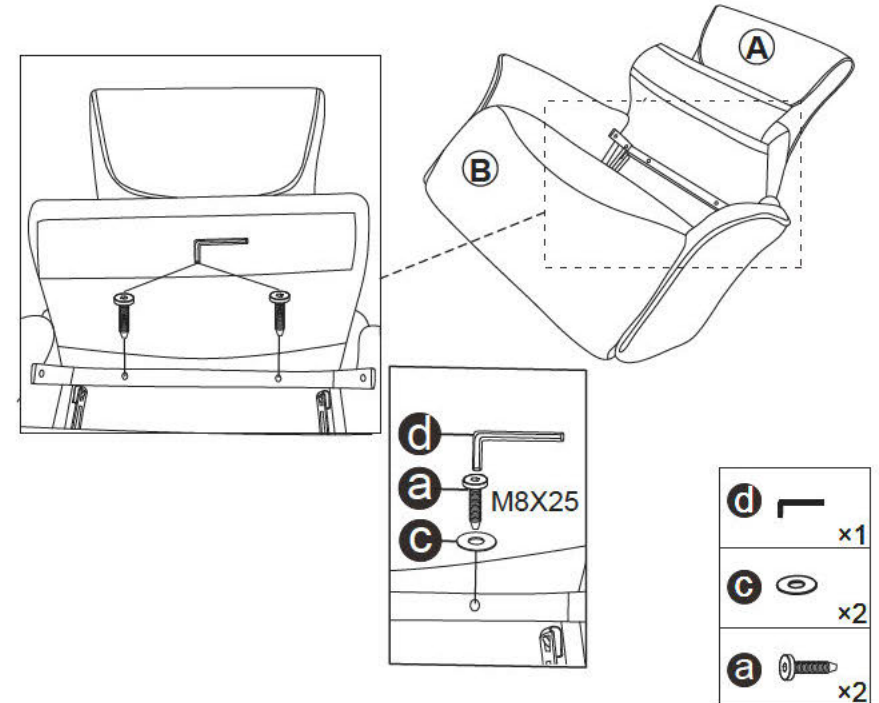
Warning:  
When placing the seat on the back, do not  
press onto the massage wire and power cord



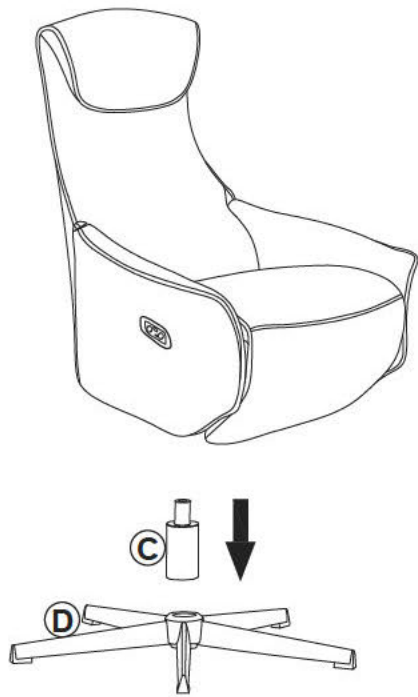
### STEP 3



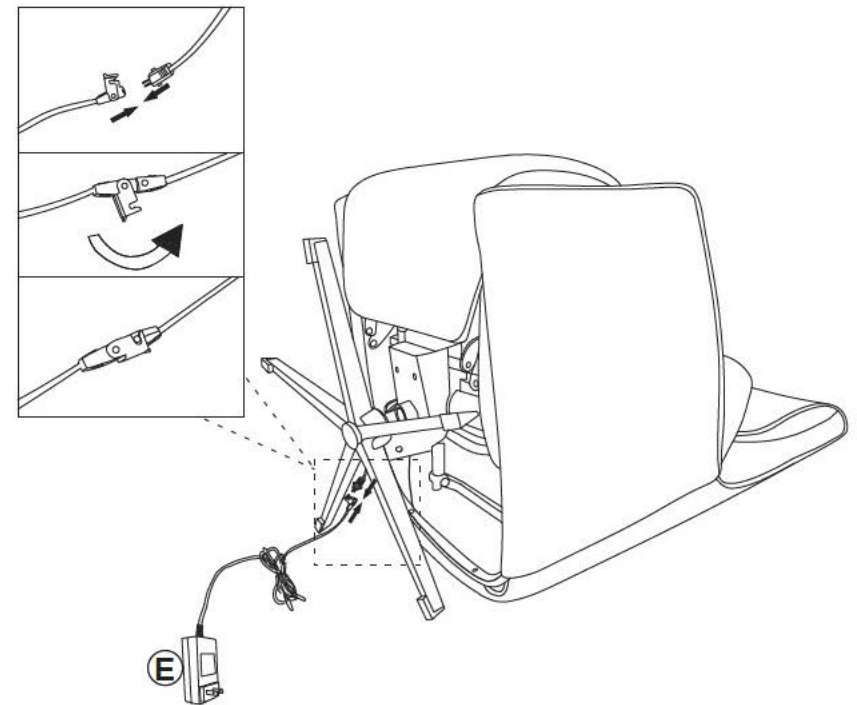
### STEP 4



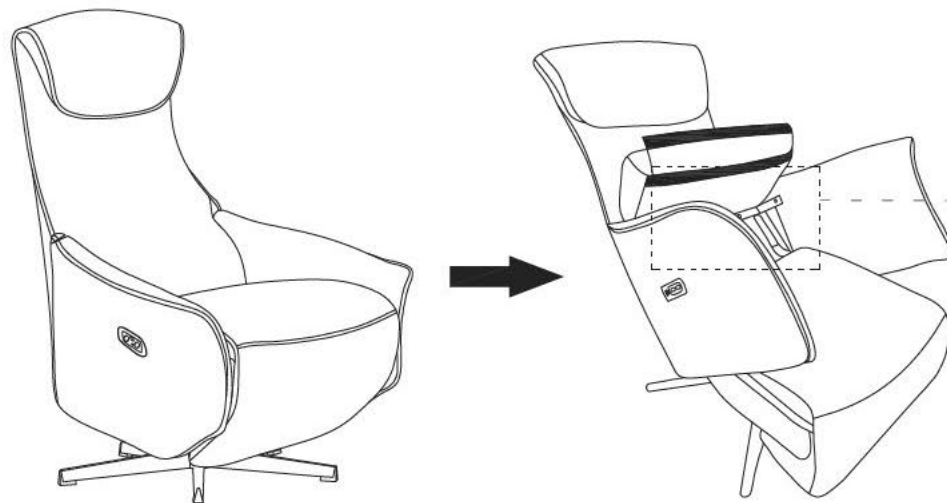
### STEP 5



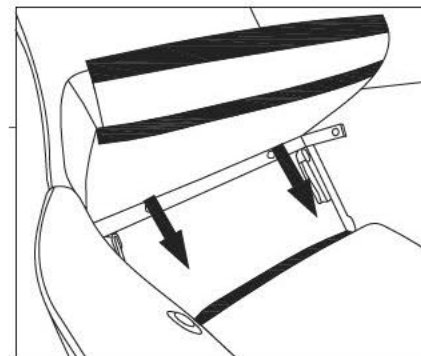
### STEP 6



### STEP 7

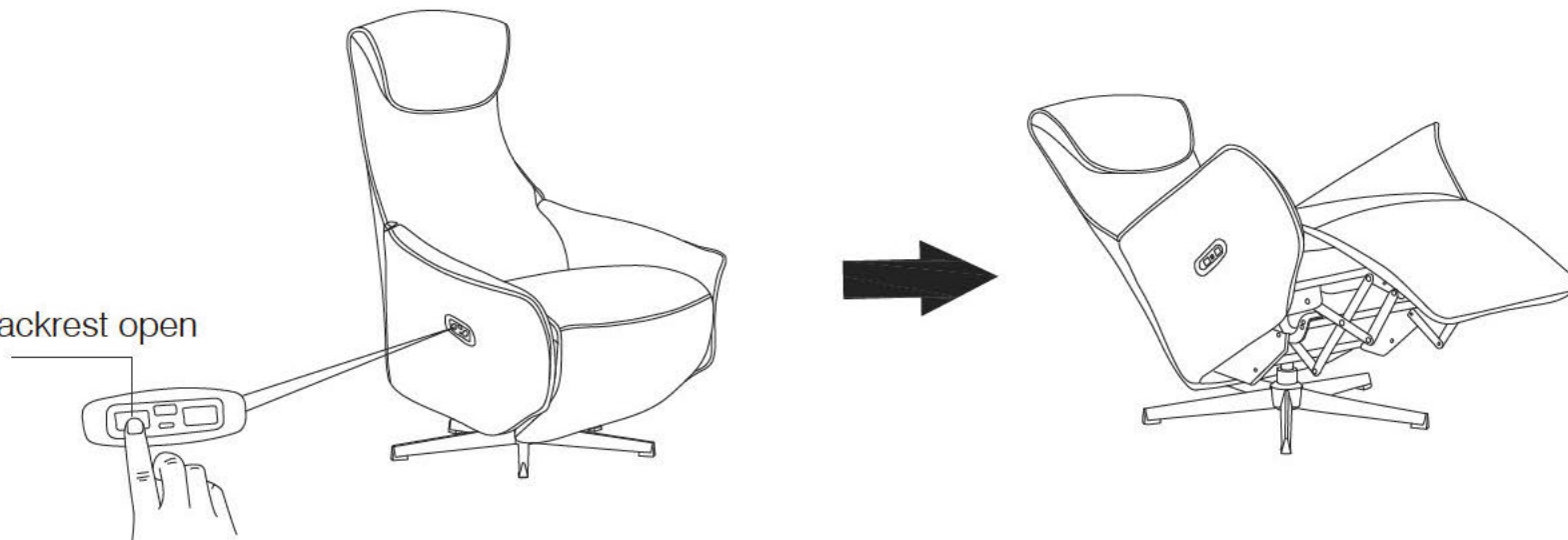


Press button to recline down the backrest, stick the Nylon Fastener on backrest, then make the waist flat.

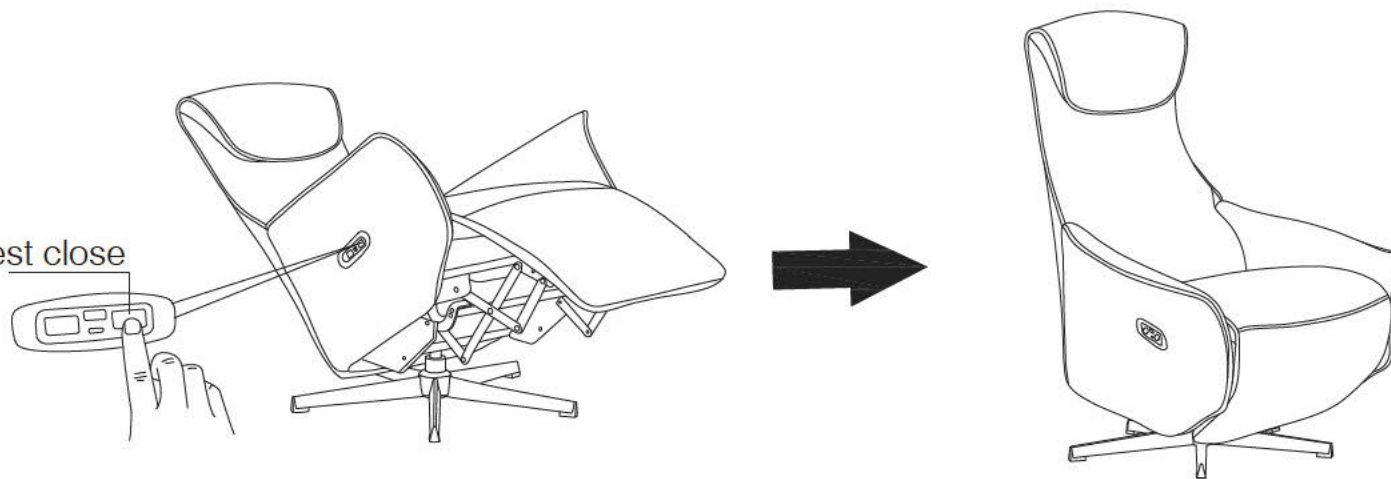


**STEP 8**

Footrest/Backrest open



Footrest /Backrest close



**STEP 9**

