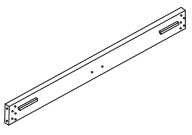
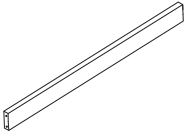
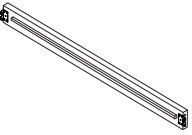
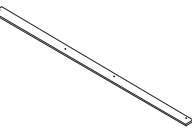


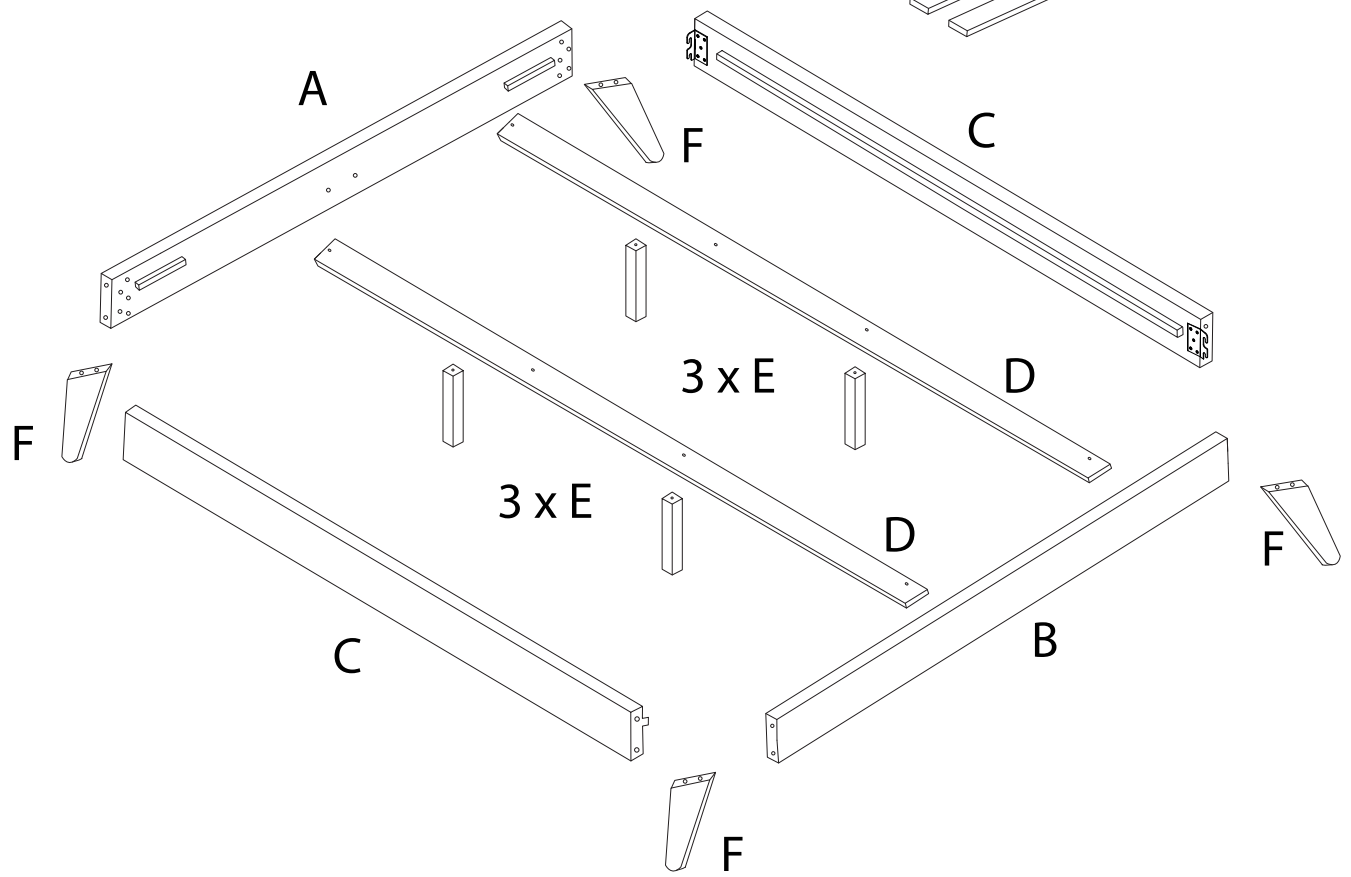
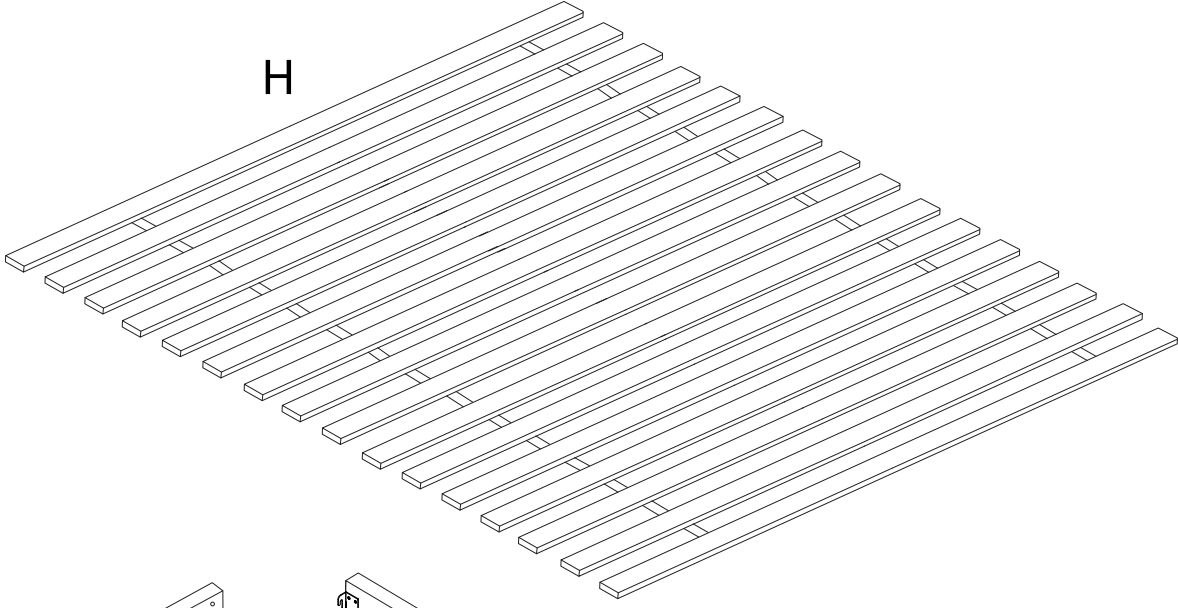
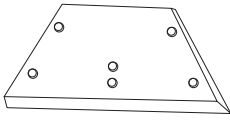
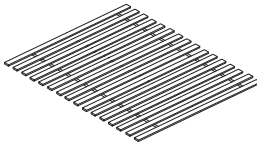
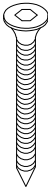
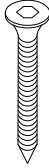
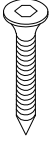
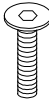

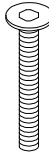
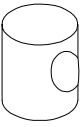
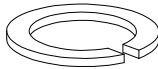
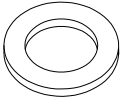

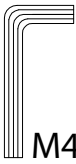

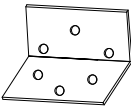
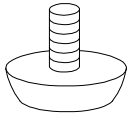


Diagram illustrating assembly steps and safety warnings:

- Step 1:** Shows an L-shaped metal bracket being inserted into a slot. A power drill is shown with a diagonal line through it, indicating that a power drill should not be used for this step. A warning triangle with an exclamation mark is positioned to the right.
- Step 2:** Shows a rectangular block being placed on a surface. A power drill is shown with a diagonal line through it, indicating that a power drill should not be used for this step. A warning triangle with an exclamation mark is positioned to the right.
- Time:** A clock icon is shown, indicating a time of 45 minutes.
- Personnel:** A person icon is shown, indicating that 2 people are required for assembly.

<b>A</b>	<b>B</b>	<b>C</b>	<b>D</b>	<b>E</b>	<b>F</b>
					
<b>x 1</b>	<b>x 1</b>	<b>x 2</b>	<b>x 2</b>	<b>x 6</b>	<b>x 4</b>



<p style="text-align: center;"><b>G</b></p>  <p style="text-align: center;"><b>x 4</b></p>	<p style="text-align: center;"><b>H</b></p>  <p style="text-align: center;"><b>x 1</b></p>	<p style="text-align: center;"><b>1</b></p>  <p style="text-align: center;">M6 x 100</p> <p style="text-align: center;"><b>x 6</b></p>	<p style="text-align: center;"><b>2</b></p>  <p style="text-align: center;">M6 x 50</p> <p style="text-align: center;"><b>x 16</b></p>
<p style="text-align: center;"><b>3</b></p>  <p style="text-align: center;">M6 x 40</p> <p style="text-align: center;"><b>x 28</b></p>	<p style="text-align: center;"><b>4</b></p>  <p style="text-align: center;">M6 x 20</p> <p style="text-align: center;"><b>x 8</b></p>	<p style="text-align: center;"><b>5</b></p>  <p style="text-align: center;">M6 x 15</p> <p style="text-align: center;"><b>x 8</b></p>	<p style="text-align: center;"><b>6</b></p>  <p style="text-align: center;">M8 x 50</p> <p style="text-align: center;"><b>x 8</b></p>
<p style="text-align: center;"><b>7</b></p>  <p style="text-align: center;"><b>x 6</b></p>	<p style="text-align: center;"><b>8</b></p>  <p style="text-align: center;"><b>x 30</b></p>	<p style="text-align: center;"><b>9</b></p>  <p style="text-align: center;"><b>x 30</b></p>	<p style="text-align: center;"><b>10</b></p>  <p style="text-align: center;">M4 x 32</p> <p style="text-align: center;"><b>x 12</b></p>
<p style="text-align: center;"><b>11</b></p>  <p style="text-align: center;">M4</p> <p style="text-align: center;"><b>x 1</b></p>	<p style="text-align: center;"><b>12</b></p>  <p style="text-align: center;">M5</p> <p style="text-align: center;"><b>x 1</b></p>	<p style="text-align: center;"><b>13</b></p>  <p style="text-align: center;"><b>x 4</b></p>	<p style="text-align: center;"><b>14</b></p>  <p style="text-align: center;"><b>x 6</b></p>

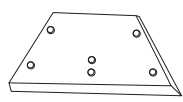
1 x 4

F



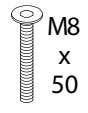
x 1

G



x 1

6

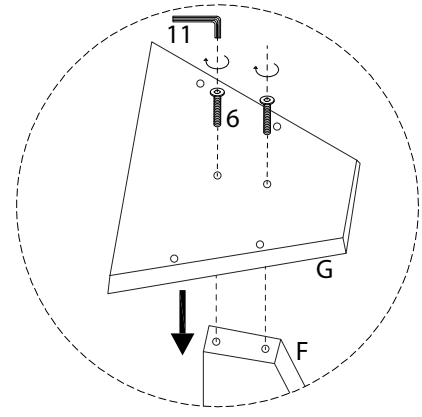
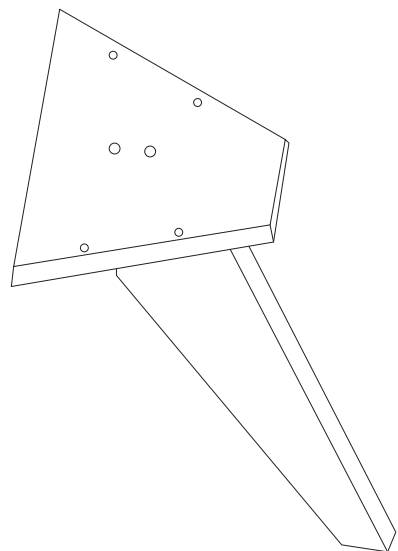


x 2

12

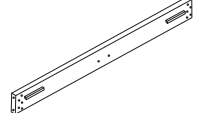


x 1



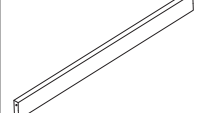
2

A



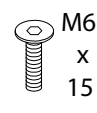
x 1

B



x 1

5



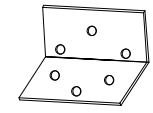
x 4

11

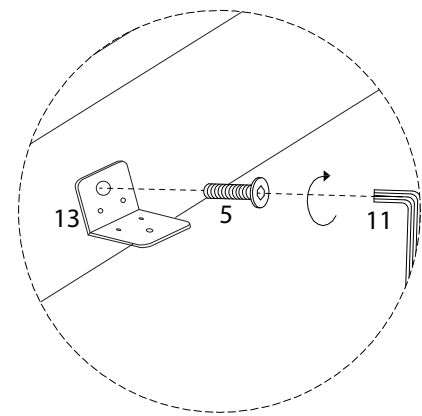
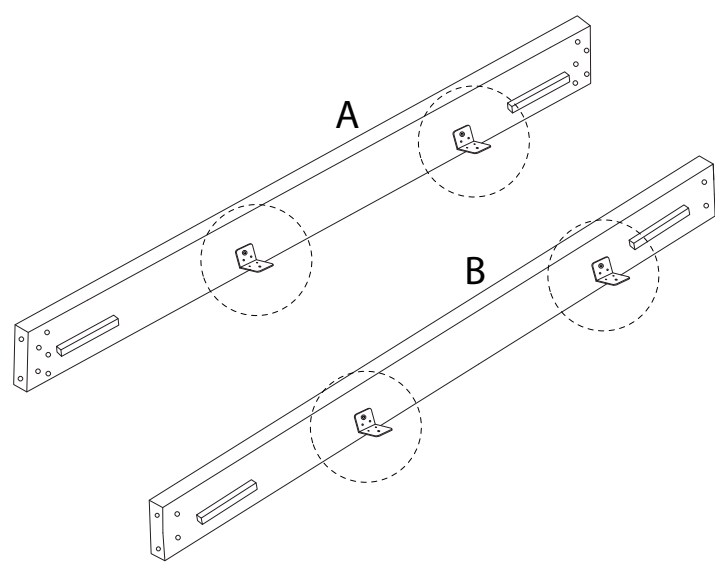


x 1

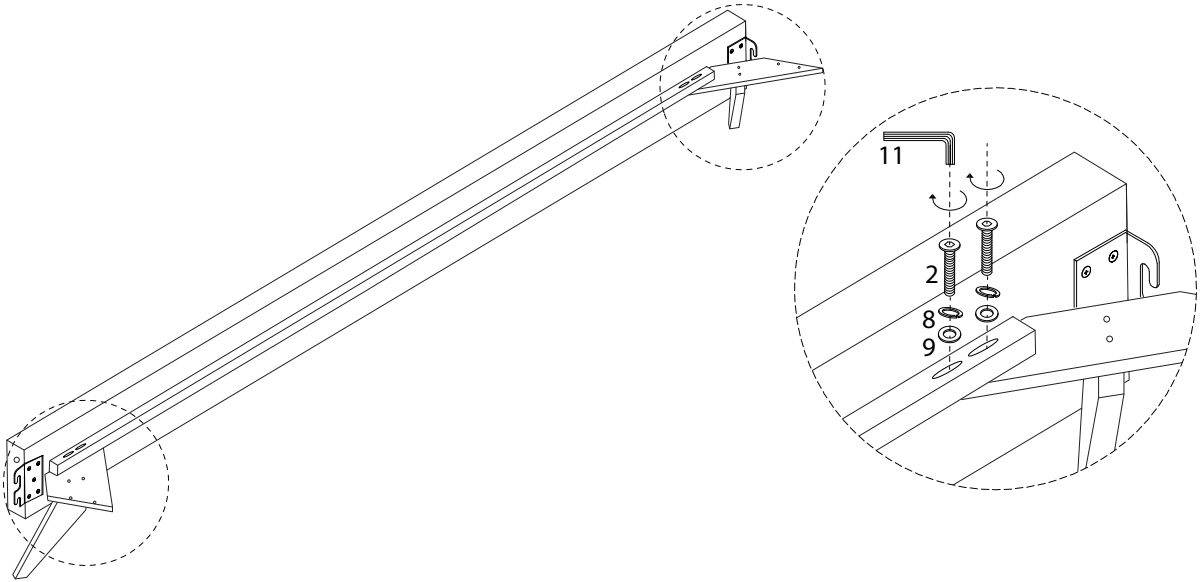
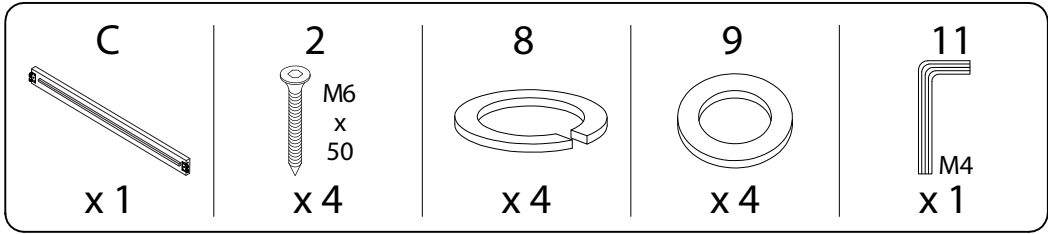
13



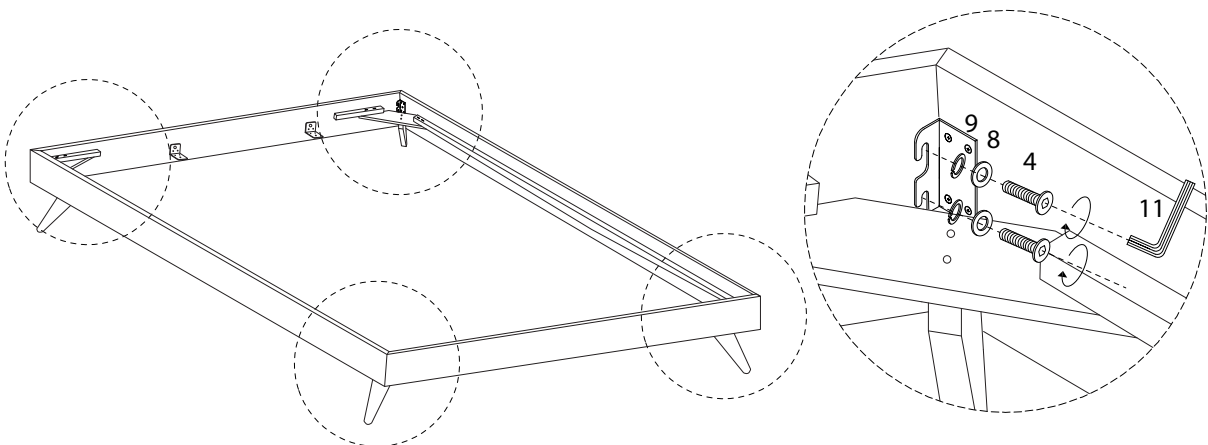
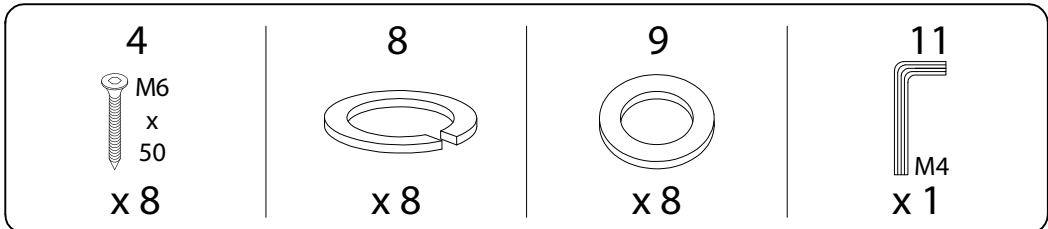
x 4



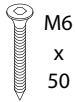



3 x 2

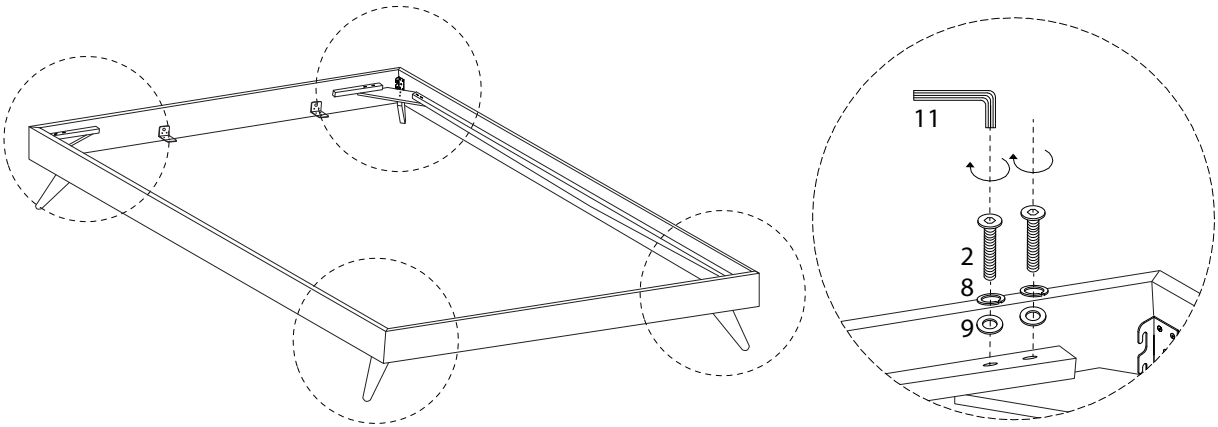


4

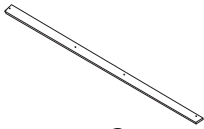

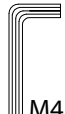


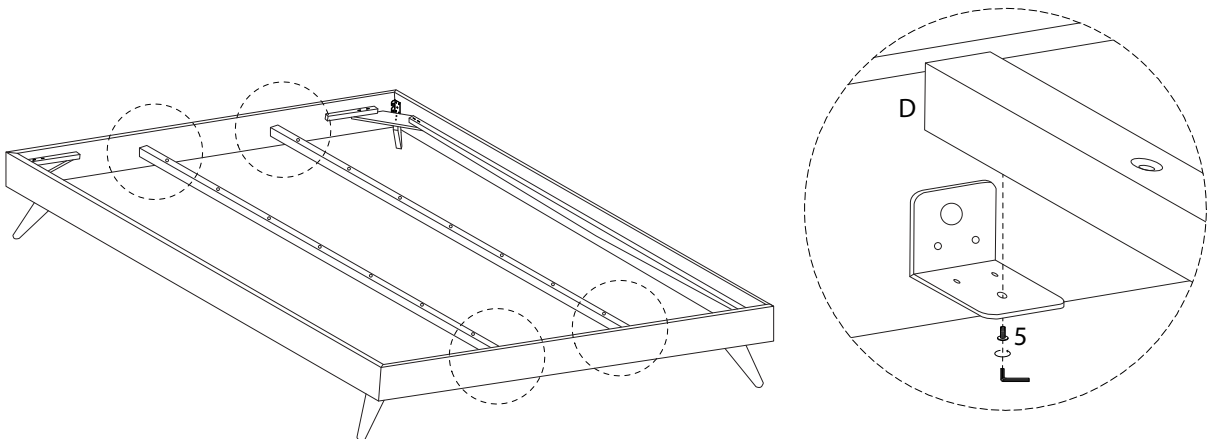
5

<p>2</p>  <p>M6 x 50</p> <p>x 8</p>	<p>8</p>  <p>x 8</p>	<p>9</p>  <p>x 8</p>	<p>11</p>  <p>M4</p> <p>x 1</p>
--	---	--	--



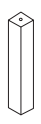
6

<p>D</p>  <p>x 2</p>	<p>5</p>  <p>M6 x 15</p> <p>x 4</p>	<p>11</p>  <p>M4</p> <p>x 1</p>
---	--	--



7 x 6

E

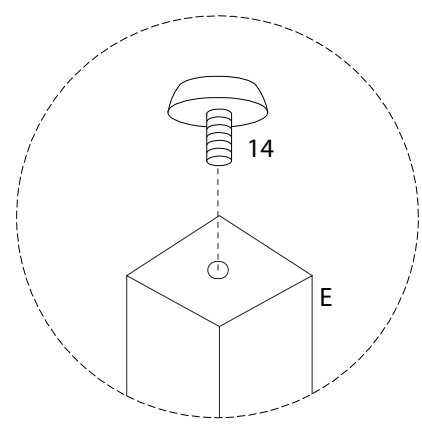
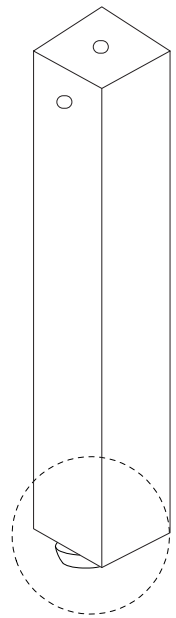


x 1

14

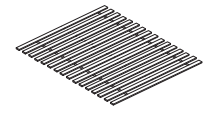


x 1



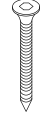
8

H



x 1

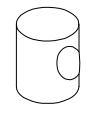
1



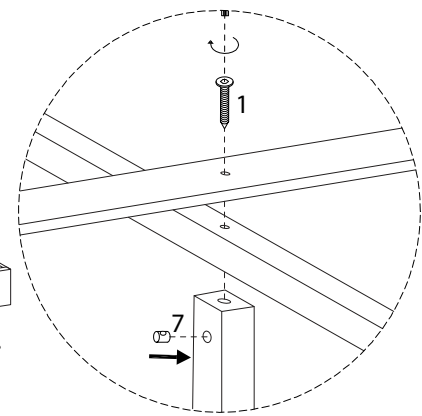
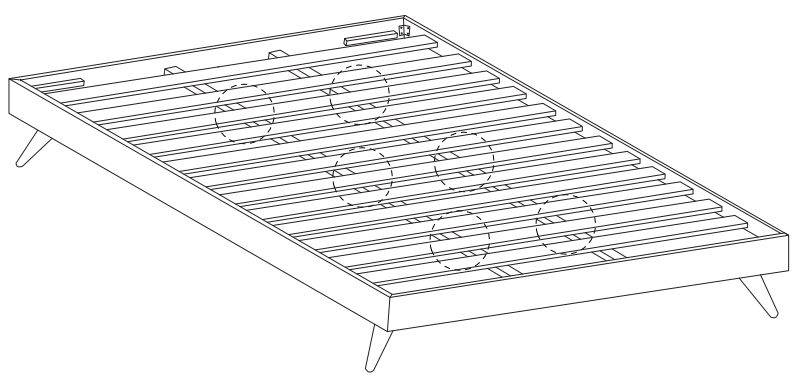
M6  
x  
100

x 6

7

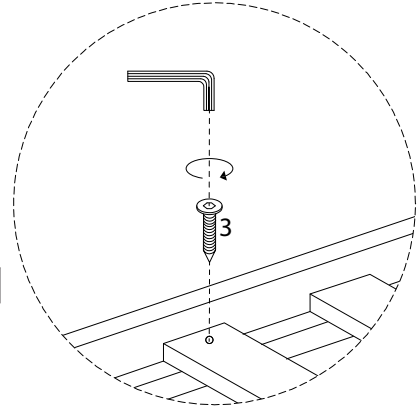
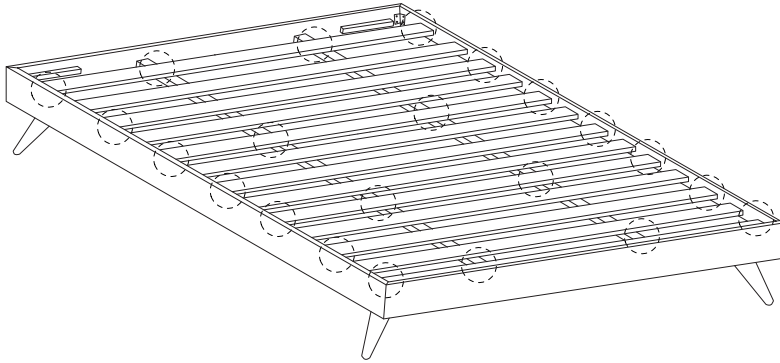


x 6



9

3  
M6  
x  
40  
x 28



10

10  
M4  
x  
32  
x 12

