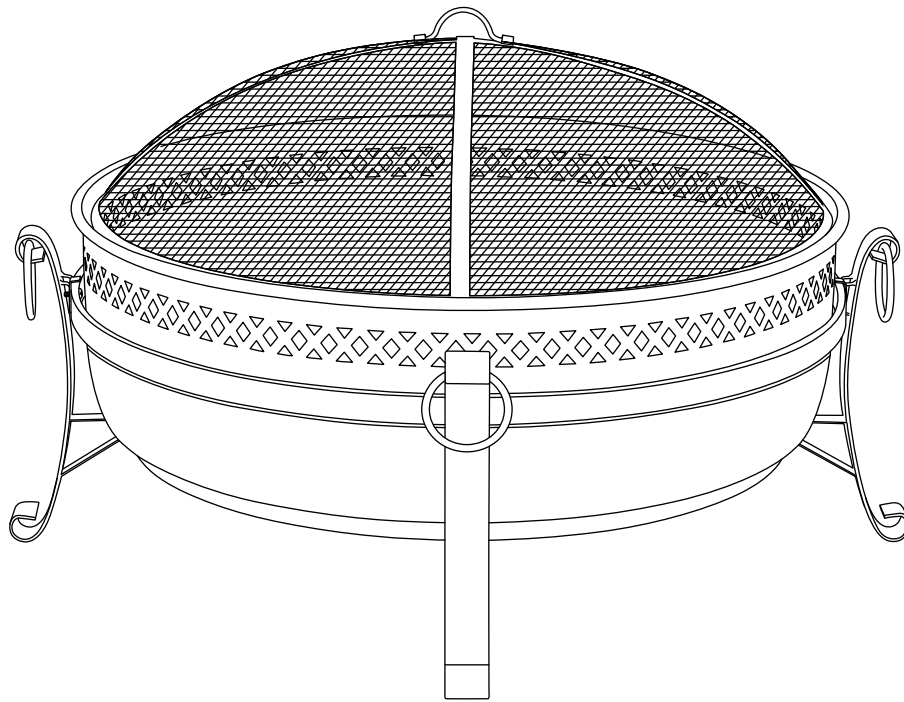




Owner's Manual

WARNING!

- Outdoor use only. Never use in enclosed area. Use in unventilated areas will endanger your life.
- Do not use this unit on or near combustible surfaces or structures such as wood decks, dry leaves or grass, vinyl or wood siding, etc.
- Use on level, non-combustible surface only.
- Keep away from all combustible materials including gasoline and other flammable liquids and vapors.
- Never use flammable accelerants, such as: gasoline, alcohol, paint thinners, kerosene, etc. to start a fire. Serious injury or property damage could result.
- Screen lifting tool may become hot when in use! Failure to wear protective gloves may lead to injury.
- Always wear fire-resistant gloves when handling hot metal screen and lifting tool.
- Keep away from house, garage, balconies, or overhangs.
- Avoid using during dry or windy conditions.
- Keep out of reach of children.
- Do not overfill or use to burn leaves or trash.
- Exercise the same care you would with an open fire.
- Never leave unit unattended while hot or in use.
- Completely extinguish fire before leaving.
- Ashes can remain hot for a long time after fire is extinguished.
- Dispose of cold ashes properly.
- Any modification of the unit will void product warranty.
- In order to extend the service life, the fire should not be too large, and the height of the fire should not be higher than the spark screen cover.



Important!

Please read and follow ALL instructions before assembling or using this product, particularly the safety statements. Failure to follow instructions and warnings could result in damage to property, serious injury or death.

Contact local authorities regarding possible burn restrictions before using product.

IMPORTANT SAFEGUARDS

To reduce the risk of personal injury or damage to your Outdoor Fire Pit or other property when using this product, basic safety precautions should always be followed, including the following:

- Read all instructions before assembling and using.
- Keep all packaging materials, including any plastics, out of reach of children.
- Not to be used by children.
- Close supervision is necessary when used near children or by any other persons with reduced physical, sensory, or mental capabilities.
- Keep pets at a safe distance from the fire pit.
- Do not use this product while under the influence of alcohol or other substances that affect your reaction time or perception.
- **The Outdoor Fire Pit is intended for OUTDOOR** use only.

Never use in any enclosed areas such as vehicles, tents, indoor buildings, garages, etc.

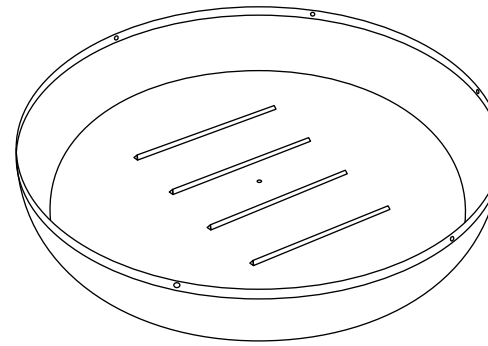
The use in enclosed areas will endanger your life.

- **Do NOT use this outdoor fire pit for indoor heating.** TOXIC carbon monoxide fumes can accumulate and cause asphyxiation.
- This outdoor fire pit is Not to be used in or on boats or recreational vehicles.
- Always use this outdoor fire pit on a hard, level, non-combustible surface such a concrete, rock, or stone. An asphalt or blacktop surface may not be acceptable for this purpose. Do NOT use on wooden decks.
- Do NOT use this outdoor fire pit under any overhead or near any unprotected combustible constructions such as wood decks, dry leaves or grass, vinyl, or wood siding, etc. Avoid using near or under overhanging trees and shrubs.
- Do NOT use this outdoor fire pit near automobiles, trucks, vans, or recreational vehicles.
- Do NOT wear flammable or loose clothing when using this outdoor fire pit.

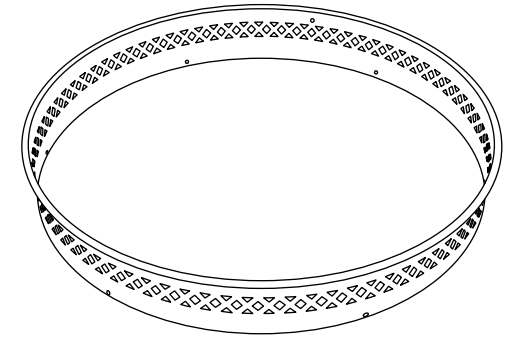
- Do NOT use in windy conditions.
- Keep all electrical cords away from a hot fire pit.
- Do NOT store or use gasoline or other flammable vapors or liquids in the vicinity of this product.
- Do NOT store or use an LP gas cylinder within 10 feet (3.05m) of this outdoor fire pit while it is in operation.
- **This outdoor fire pit is for use with dry, seasoned hardwood.** It will burn hotter, more completely, and create less smoke.
- Do NOT burn manufactured logs, driftwood, trash, leaves, paper, cardboard, plywood, painted or stained or pressure-treated wood. Avoid using softwoods such as pine or cedar that can throw sparks.
- Do NOT alter this outdoor fire pit in any manner.
- Do NOT use this outdoor fire pit until it is COMPLETELY assembled and all parts are securely fastened and tightened.
- Never use flammable accelerants, such as gasoline, alcohol, paint thinners, kerosene, etc., to start a fire. Serious injury or property damage could result.
- Always empty this outdoor fire pit after each use.
- When in use, all surfaces of this outdoor fire pit can reach extreme temperatures that can cause serious injury to an unprotected hand. Use the Poker tool or wear protective gear (Potholders, gloves, BBQ mittens, hot pads, etc.) when handling. To avoid burns, do NOT touch the fire pit until it has completely cooled unless you are wearing protective gear.
- Do NOT leave a lit outdoor fire pit unattended, especially around children and pets.
- Do NOT attempt to move or store this outdoor fire pit until all ashes are completely extinguished. NOTE: Ashes can remain hot for a long time after the fire is extinguished.
- Completely extinguish the fire before leaving.
- Do NOT use the Waterproof Storage Cover while the outdoor fire pit is still in use or still hot.

- Keep a fire extinguisher handy.
- Use long, sturdy fire pit tools such as the Poker tool when adding or moving logs.
- Do NOT overload the fire pit, Do not add additional firewood until the fire burns down.
- Do NOT lean over this outdoor fire pit when lighting or when in use.
- When using this outdoor fire pit, exercise the same precautions you would with any open fire.
- Always use in accordance with all applicable local, state, and national codes. Contact your local fire department for details on outdoor burning.
- This outdoor fire pit is NOT for commercial use.
- Keep this manual for future reference.

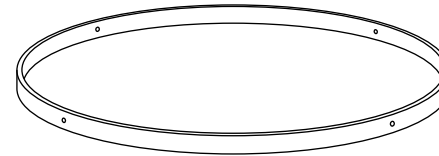
PARTS LIST



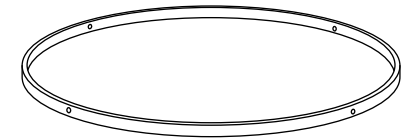
A×1



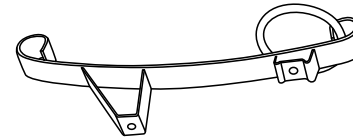
B×1



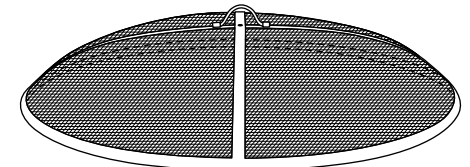
C×1



D×1



E×4



F×1



G×8
(M6x15mm)



H×3
(M8)



J×6
(M6x12mm)

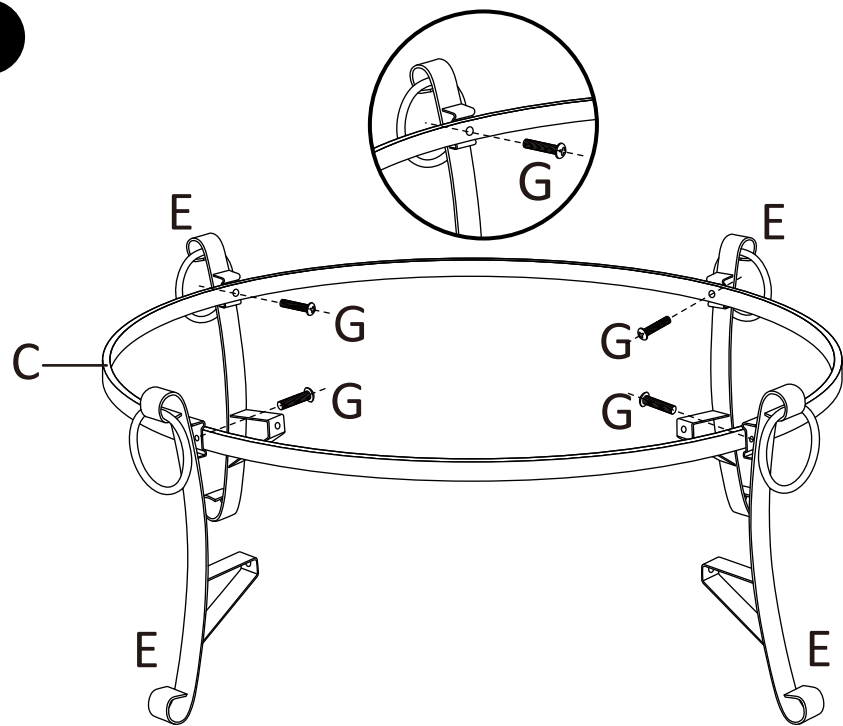
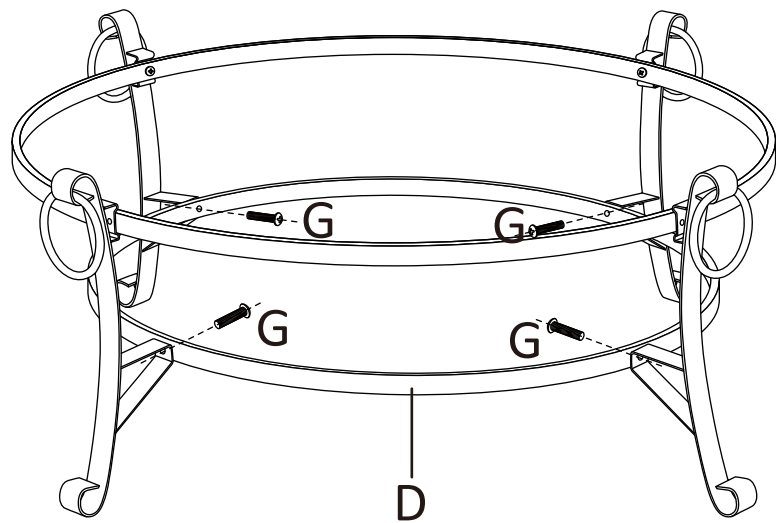
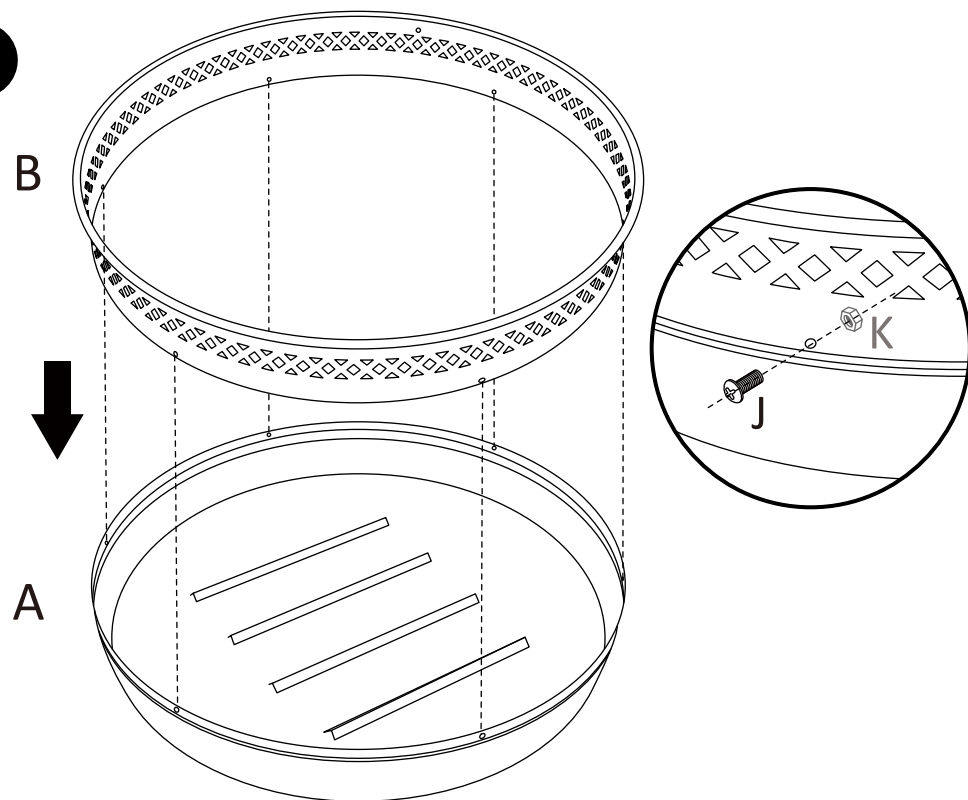
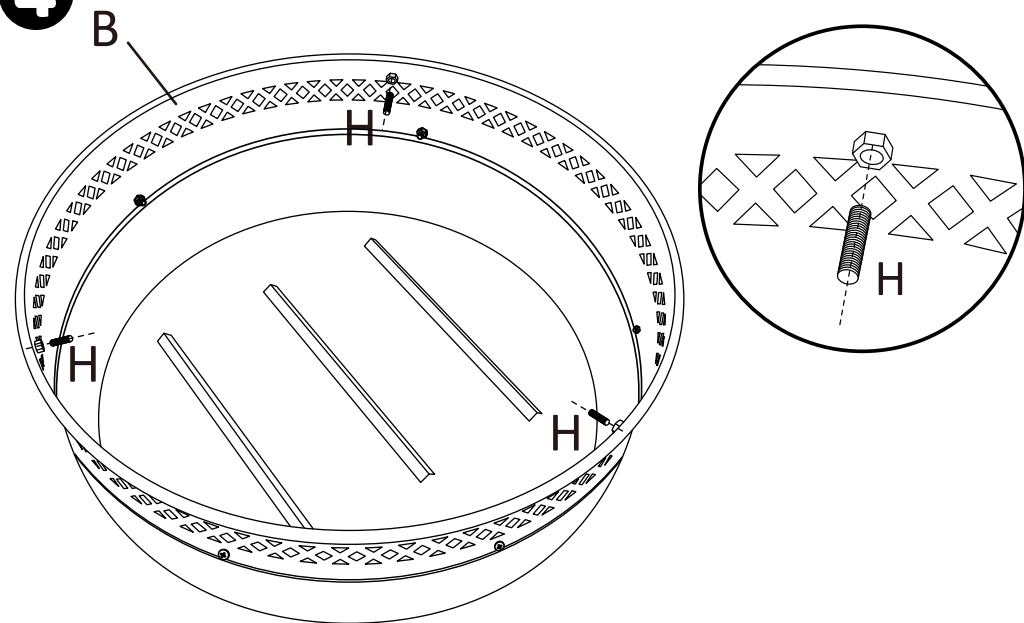


K×6
(Nuts M6)



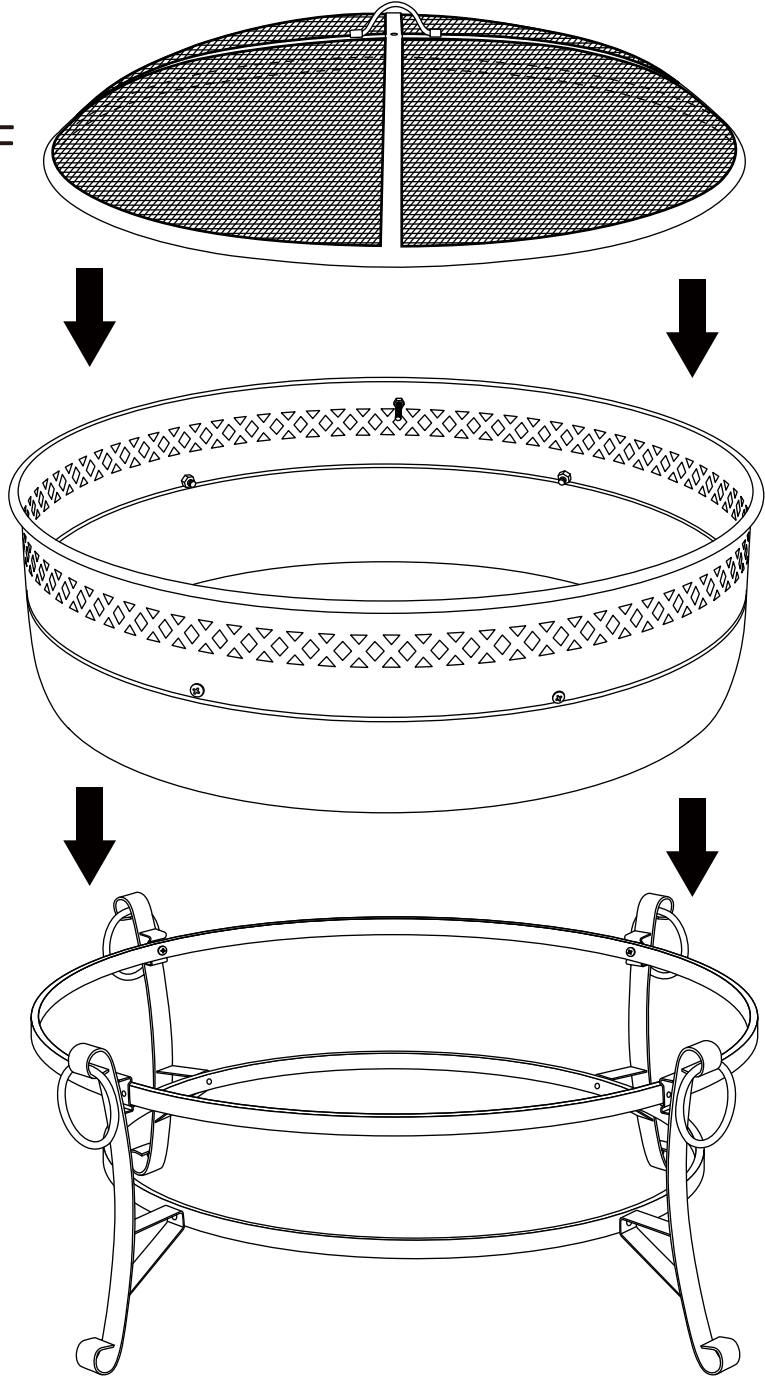
J×1

WARNING: FAILURE TO FOLLOW THESE SAFEGUARDS AND THE FOLLOWING INSTRUCTIONS COULD RESULT IN FIRE, EXPLOSION, OR BURN HAZARD, WHICH COULD CAUSE PROPERTY DAMAGE, PERSONAL INJURY, OR DEATH.

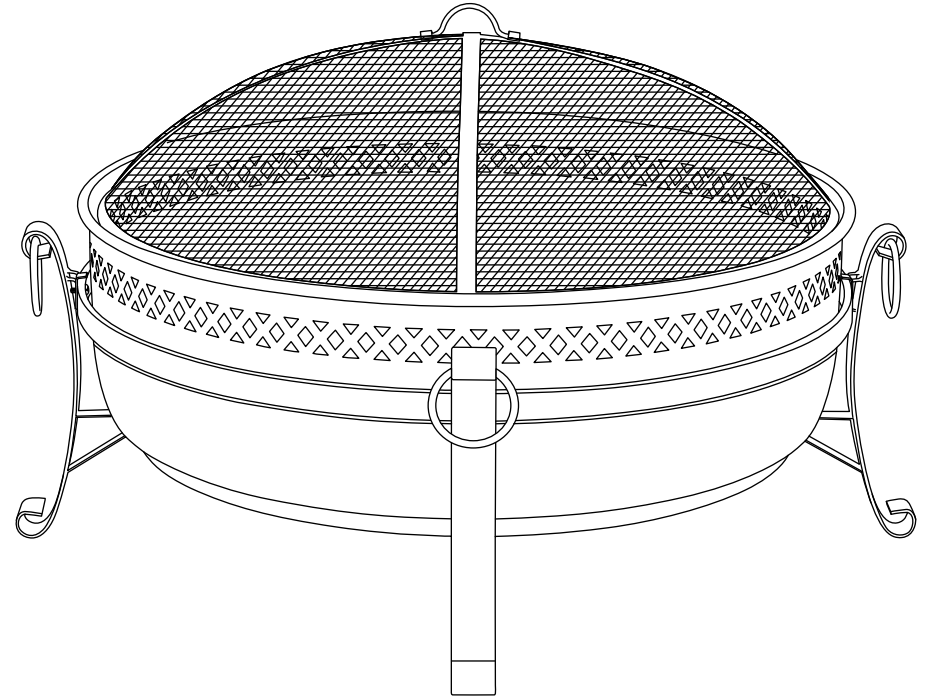
1**2****3****4**

5

F



6



USAGE INSTRUCTIONS

WARNING: Before using this outdoor fire pit, make sure you have read, understood, and are following all information provided in the IMPORTANT SAFEGUARDS section of this manual. Failure to follow these instructions can cause death, serious injury, or property damage.

Lighting the fire

This outdoor fire pit is for use with dry, seasoned hardwood.

CAUTION: Never use flammable accelerants, such as gasoline, alcohol, paint thinners, kerosene, etc., to start a fire. Serious injury or property damage could result.

- ① Place a layer of dry kindling or a natural firestarter onto the center of the Fire Bowl.
- ② Place above that a layer of dry seasoned hardwood that is cut to lengths no more than 3/4 the diameter of the bowl.
- ③ Use a match to light kindling or firestarter.
- ④ Place the Mesh Safety Screen using the Poker tool once the kindling or firestarter is lit.

Tending the fire

You may need to shift and/or add logs for an ideal experience.

CAUTION: Do NOT add gasoline, kerosene, diesel fuel, lighter fluid, or alcohol to relight or enhance an existing fire.

- ① Carefully remove Mesh Safety Screen by using the Poker tool.
- ② While using a long-handled fireplace tool or the Poker tool, shift embers and logs to allow additional airflow.
- ③ If additional wood is required, place wood on the top logs. Be careful not to shift ashes.
- ④ Replace the Mesh Safety Screen by using the Poker tool.

Reminders:

- Always wear protective gloves or a pot holder when tending the fire.
- Wait until glowing embers have developed before adding any additional wood.

Extinguishing the fire

- ① Allow the fire to burn itself out.
- ② Do NOT use water to extinguish the fire as this is dangerous and can cause damage to this outdoor fire pit.

CLEANING AND CARE

- Wait until the ashes in the pit are completely cool and then remove the ashes and debris from the Fire Bowl after each burn-ash soaks up moisture vapor from the air, so letting the ashes accumulate will create rust to the steel Fire Bowl.
- Use hot, soapy water and a soft cloth to scrub the fire pit. **Do not use abrasive detergents or pads.**
- Rinse the soap and water thoroughly and use a dry cloth to wipe the fire pit dry.

Note: Steel should not be wiped down with a damp cloth as it will promote rust unless wiped down with a dry cloth immediately after.

IMPORTANT! Sitting water will cause a steel fire pit to rust, so make sure not to leave water sitting after rainfall or cleaning.

- Store your fire pit in a dry location.

REMOVING RUST

- As with any outdoor grill, periodic maintenance is required to return painted steel surfaces to their original appearance.

- Remove any rust with sandpaper or a steel brush, and repaint all part with grill paint suitable for high-temperature surfaces (following the manufacture's instructions).

General Care

- Do not use abrasive detergents or pads to clean surround or fire bowl.
- As with any outdoor grill, periodic maintenance is required to return painted steel surfaces to original appearance. Remove any rust with sandpaper or steel brush and repaint with grill paint suitable for high-temperature surfaces. Follow manufacture's instructions.



Warning: This Product can expose you to chemicals including Benzene, which is known to the state of California to cause cancer and birth defects or other reproductive harm.

For more information go to
www.P65warnings.ca.gov