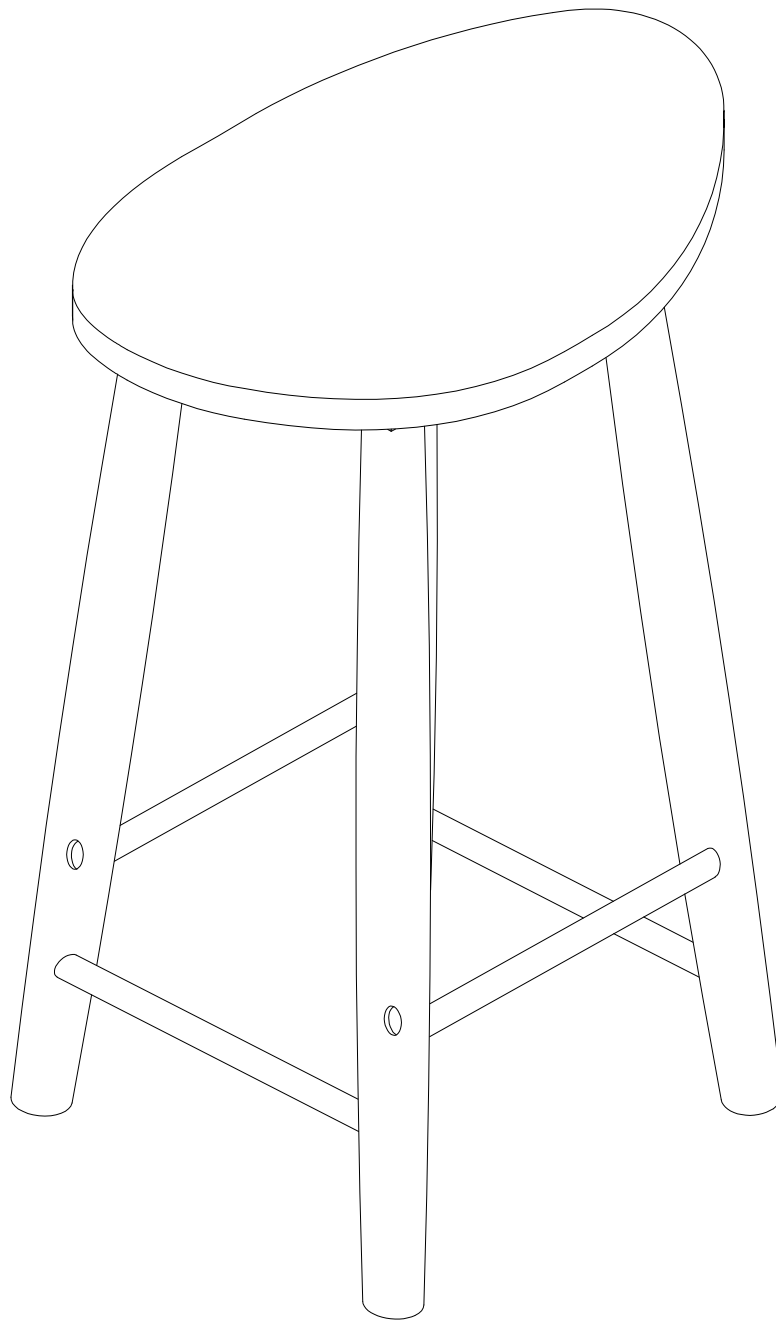


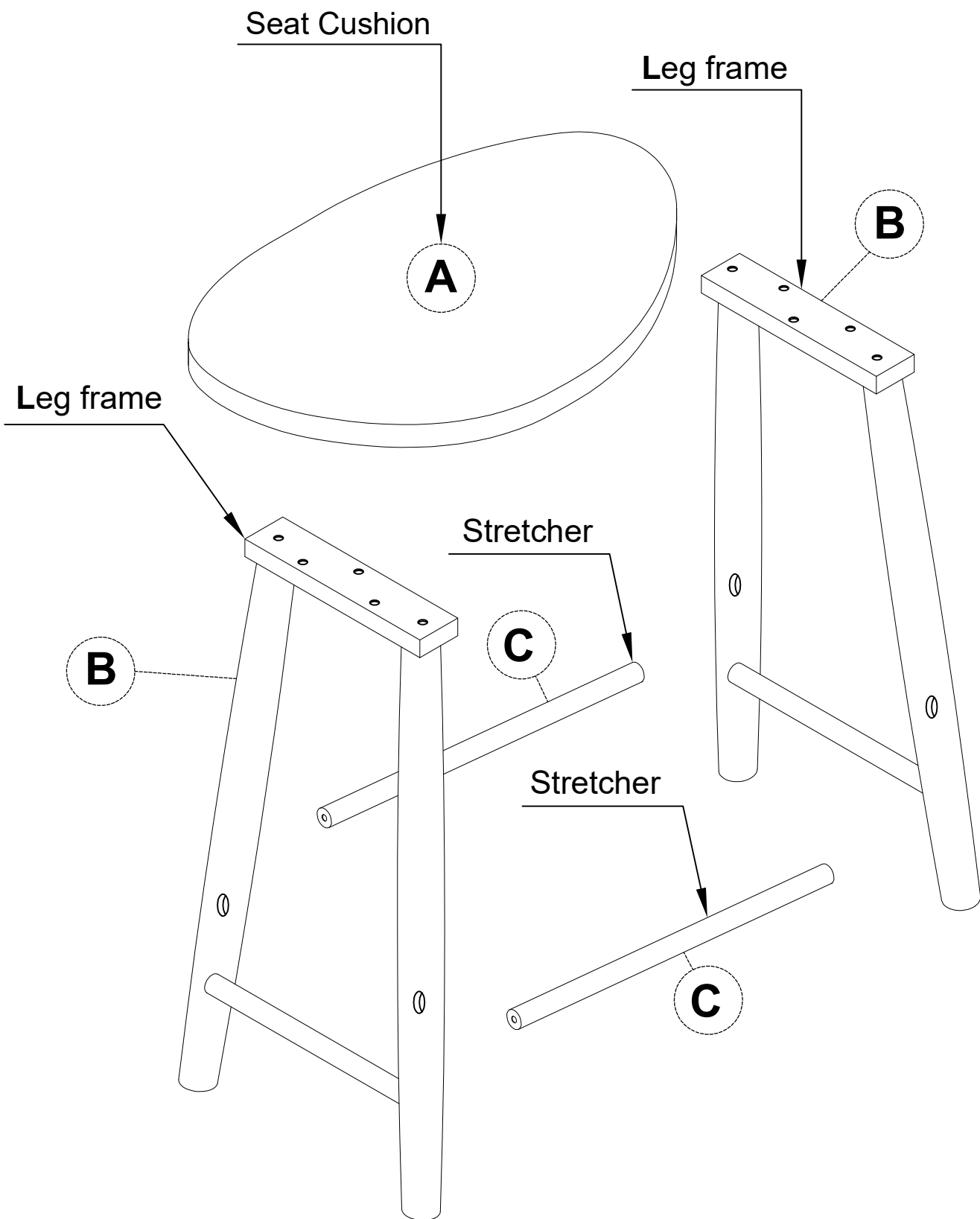
Assembly Instruction

Wooden Bar Stool



Assembly Instruction

Wooden Bar Stool

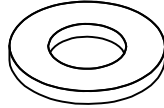


Assembly Instruction

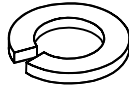
Wooden Bar Stool

Hardware List

H1 1/4" x 16mm
Flat Washer (6pcs)



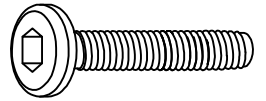
H2 1/4" x 11mm
Spring Washer (10pcs)



H3 1/4" x 30mm
Hex-Head Bolts (6pcs)



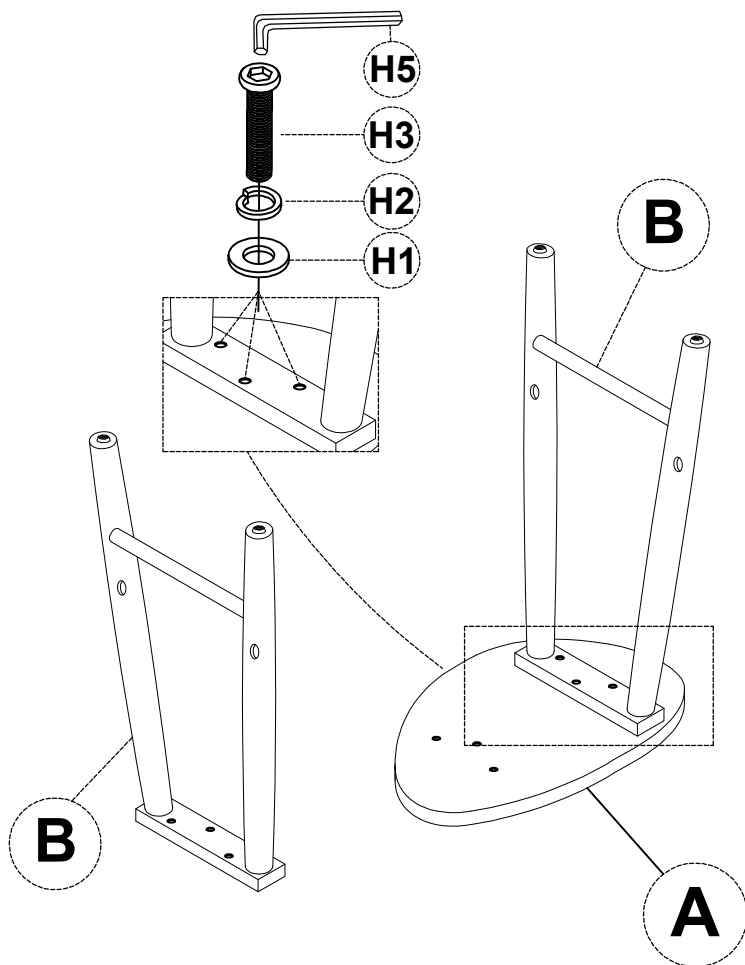
H4 1/4" x 50mm
Hex-Head Bolts (4pcs)



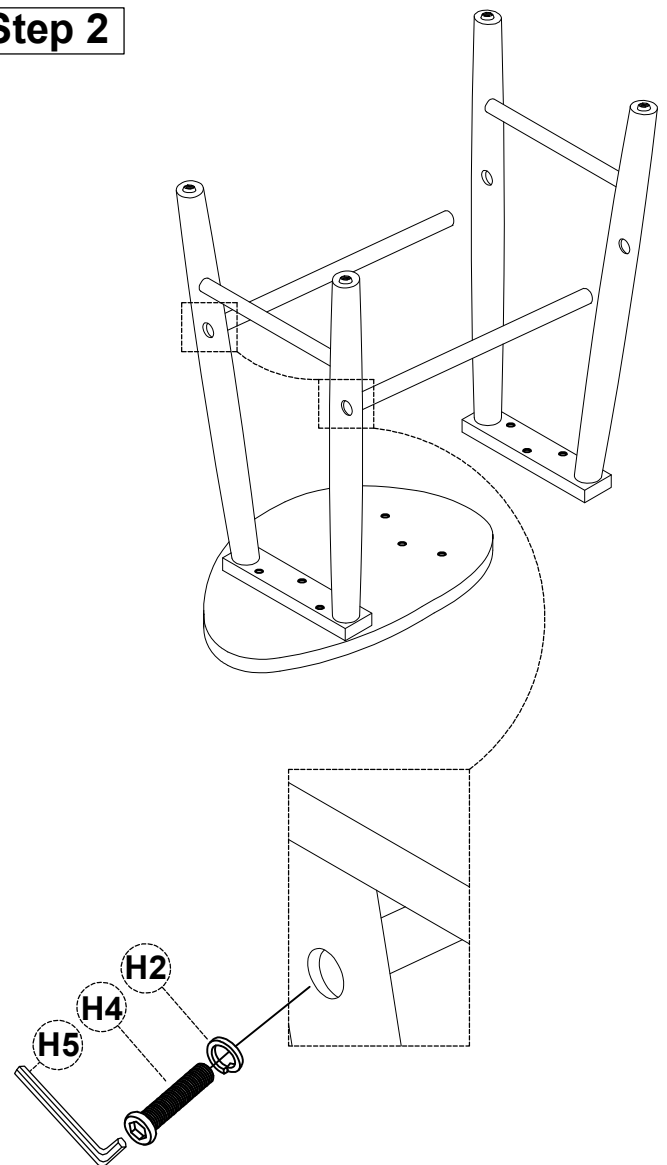
H5 Allen key - 1pc



Step 1



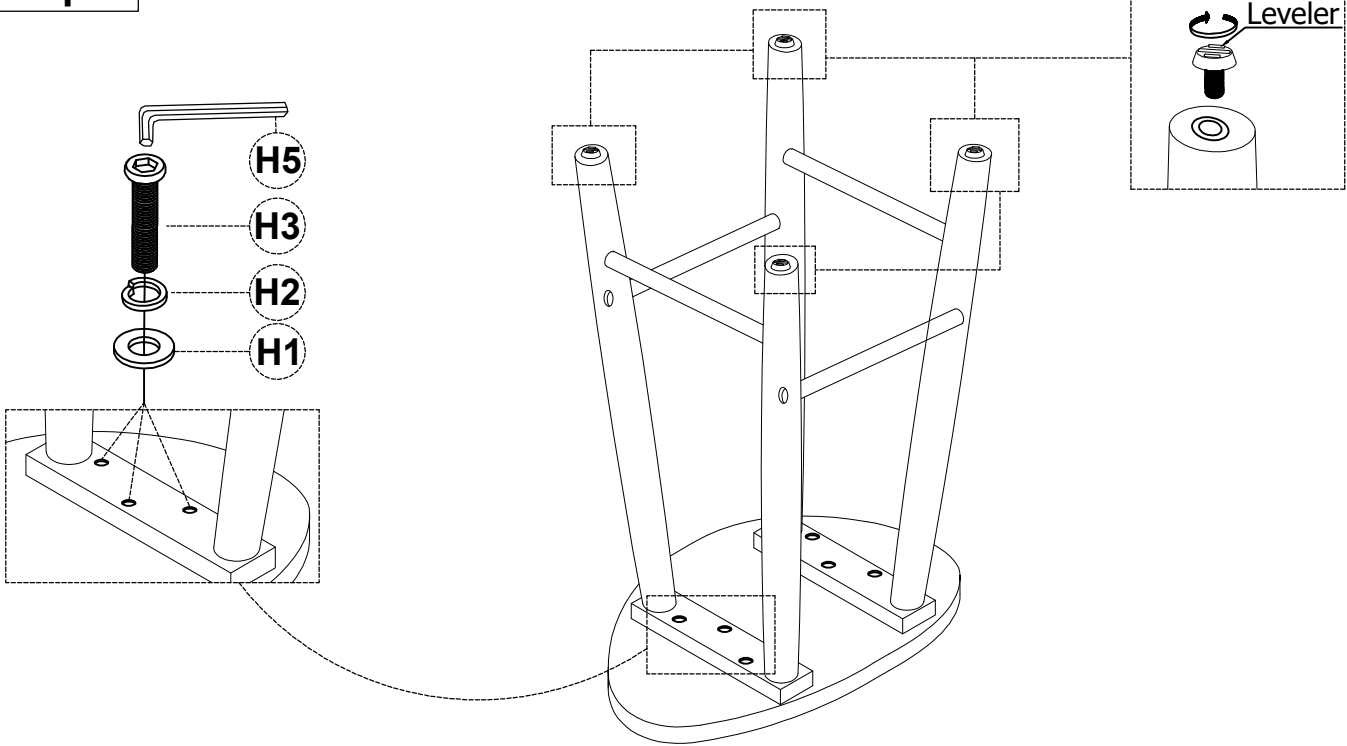
Step 2



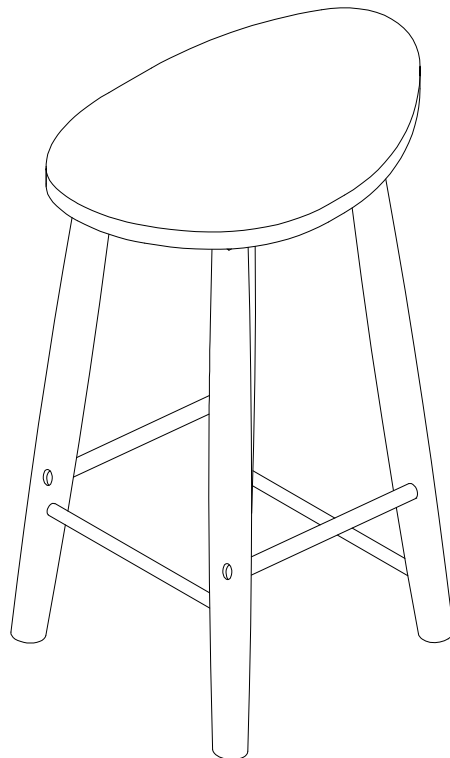
Assembly Instruction

Wooden Bar Stool

Step 3



Step 4



Ready to use