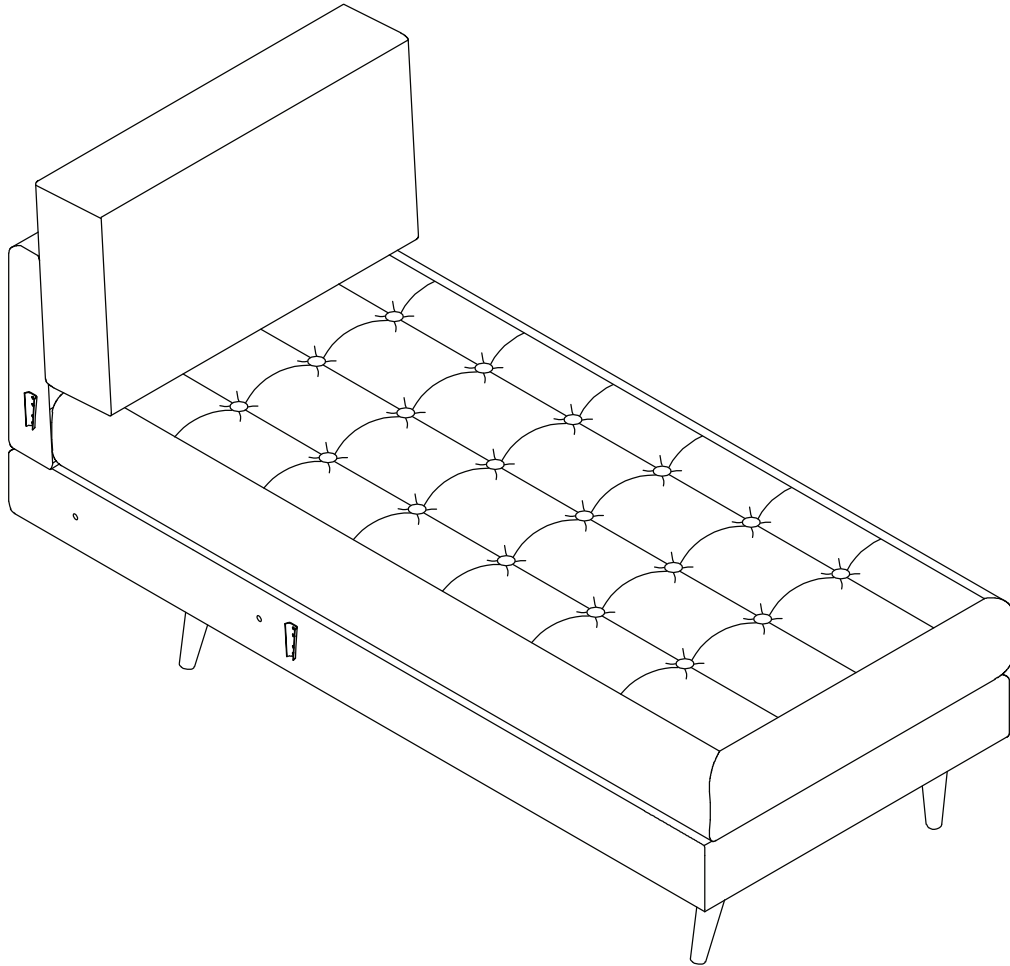


Let's build the

# Breeze - Chaise

SKU 28123



**Scan me!**

Free Lifetime  
Warranty

nathan james

25-0513-VN

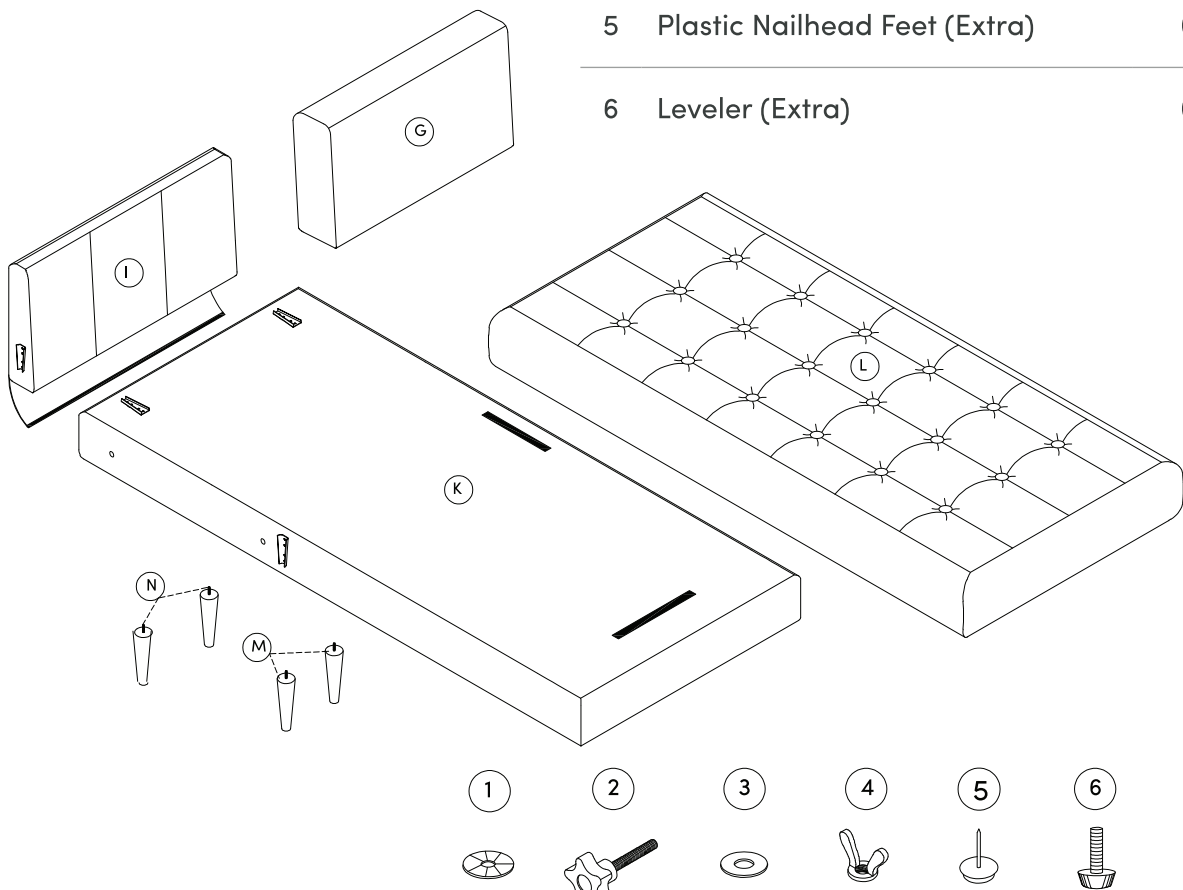
# 28123

## Contents

### (per carton)

**IMPORTANT NOTE:**  
 Locate additional  
 assembly instruction  
 packet in the carton  
 marked 28120.

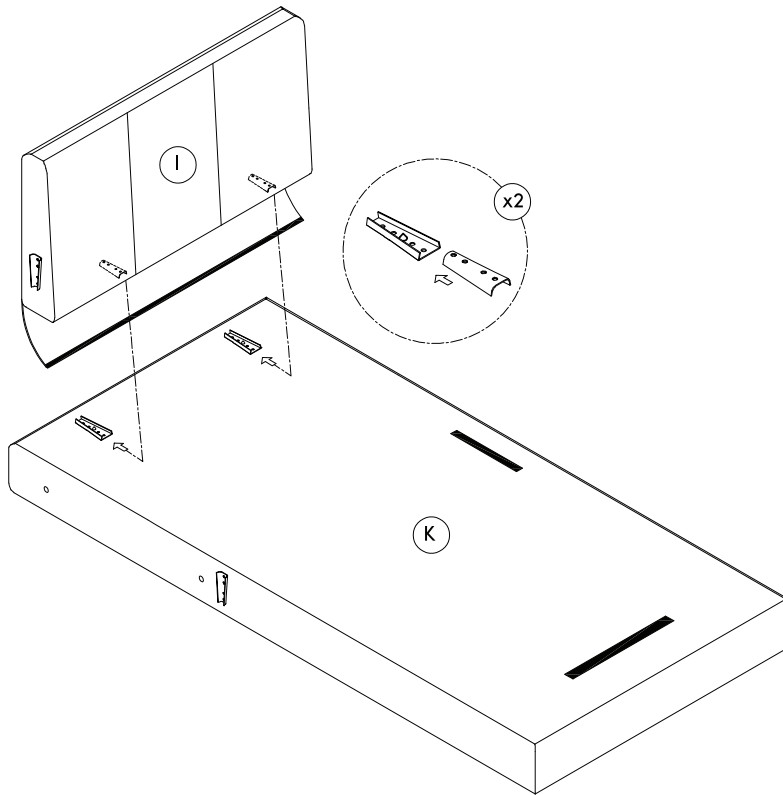
Description		Qty
G	Back Pillow	01
I	Back Frame	01
K	Chaise Seat Frame	01
L	Chaise Seat Cushion	01
M	Side Leg	02
N	Center Leg	02
1	Plastic Washer	04
2	Ø5/16" x 60mm Thumb Screw	02
3	Ø5/16" x 19mm Flat Washer	04
4	Ø5/16" Wing Nut	02
5	Plastic Nailhead Feet (Extra)	02
6	Leveler (Extra)	02



# Step 1

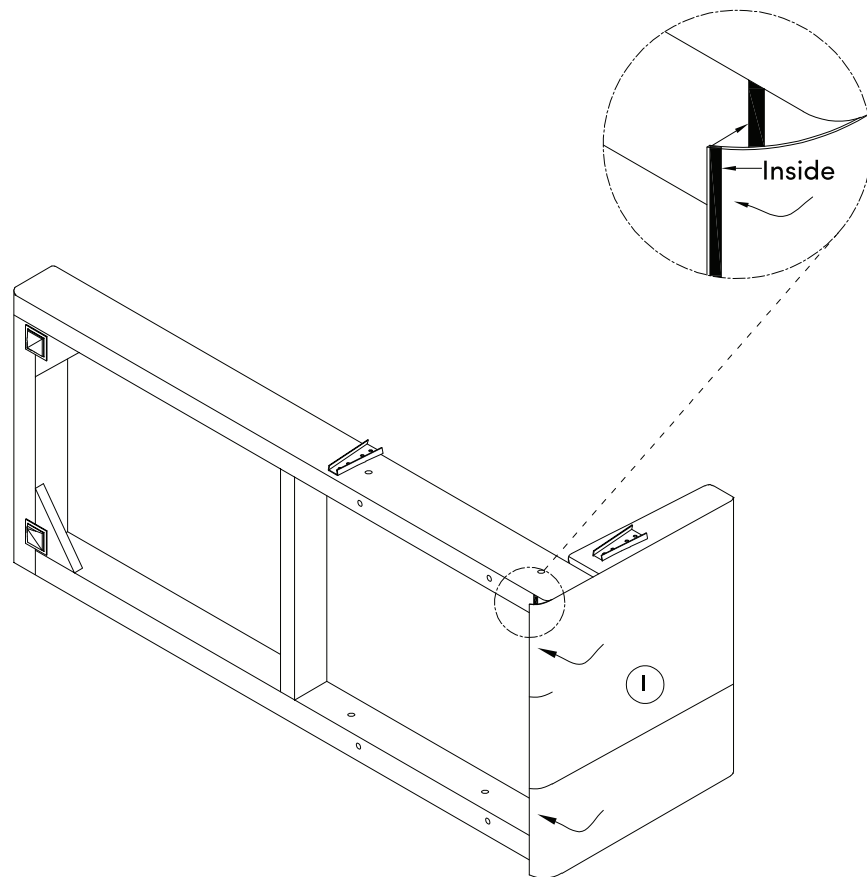
Slide the Back Frame (I) into place atop the Seat Frame (K) using their tapered brackets. Keep an eye on the back flap to be sure that it is out of the way when sliding things into place.

Make sure that both components are properly aligned and sit flush with one another once complete.



# Step 2

Next, wrap the back flap around and under the seat frame to velcro it in place.



## IMPORTANT NOTE:

Locate additional assembly instruction packet in the carton marked 28120.

# No heartburn, when we handle the return

Give us a call **1-866-619-1004** or shoot us a message at **help@nathanjames.com** we will issue you a free replacement with **zero hassle**.

## Our way



Give us a call

---



Replacement

---



You

## Their way



Re-package item

---



Schedule pick up

---



Track package

---



Replacement

---



You

We really don't want you to go through the hassle of re-packaging your item and sending it back, because let's be honest...nobody has time for that.

# Safety first, fun later

We want your product to last as long as possible, so we recommend that you tighten the screws 2 weeks after assembly and for added safety check the tightness of all screws every 2 months.

For proper care and treatment, please check our website at [NathanJames.com/products](http://NathanJames.com/products)

## Safe use of this product starts with you.

Use this product responsibly with the primary concern for your safety. Follow assembly instructions carefully and inspect product upon receipt and each use.

Nathan James and its parent companies cannot be held legally responsible for any injuries or death resulted from failure to follow instructions or improper use of this product.

## Do not modify the structure of this product in any way.

Our products have been tested to meet specific safety measures as they were originally intended to be sold. Any modifications will present the risk of creating significant safety issues which NJ will not be responsible for.

## Proper use

- DO NOT** use for commercial purposes
- DO NOT** frolic on sofa
- DO NOT** leave spilled liquid on seat
- DO NOT** use sofa if damaged
- DO NOT** make temporary repairs
- DO NOT** use outdoors

# We are only in business if you're happy

For starters, thanks for being you.

☎ Toll-free at 1-866-619-1004

✉ Help@nathanjames.com

🌐 NathanJames.com/help

We do our best to ensure your furniture arrives without any problems, but occasionally mistakes happen—as humans we are imperfect beings. In the event that a part is damaged or missing, we will be more than happy to provide you with replacement part(s) for free.

## Warranty

This product comes with a lifetime warranty from the date of purchase. Please use your phone to scan the QR code to register your product or visit <https://goo.gl/i9dk3q>



### Did we do alright? Please spread the love!

If you are happy with your product, tell your friends and family about us or even better leave us a review online. Spreading the word gives us the opportunity to make more people happy and keep our prices low for your next purchase.

*Brooke Burdon*

Founder, Nathan James