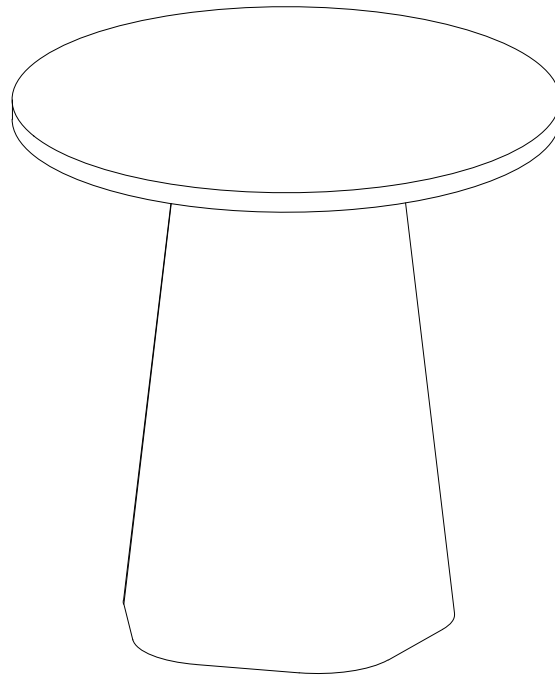


ASSEMBLY INSTRUCTIONS.

EVELYN ACCENT TABLE WHITE ASHEN GREY MARBLE



PARTS AND HARDWARE

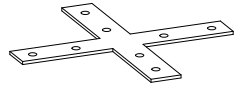
(A) Top, 1x



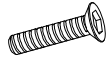
(B) Base, 1x



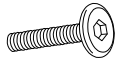
(C) Assembly Frame, 1x



(D) CSK Head Bolts, 4x
(25x8mm)



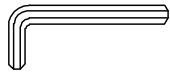
(E) Flat Head Bolts, 4x
(16x8mm)



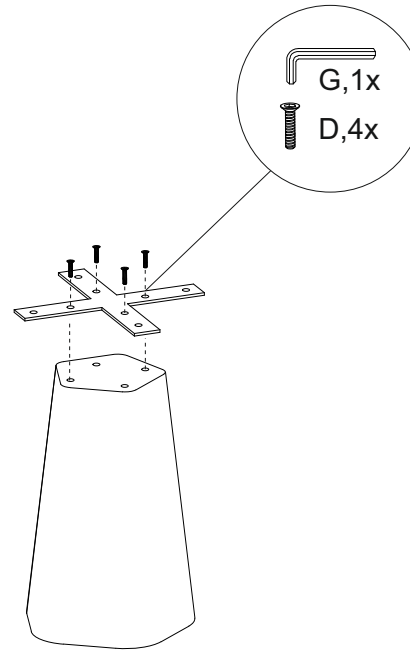
(F) Flat Washer, 4x
(25x8mm)



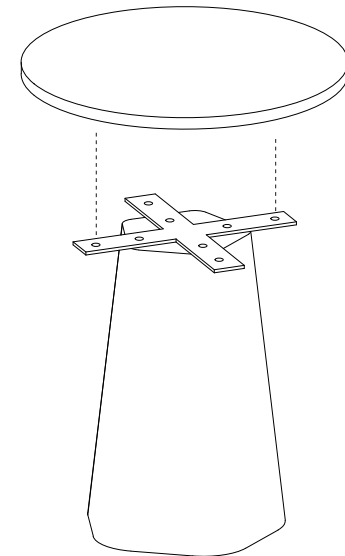
(G) Allen Key, 1x
(5mm)



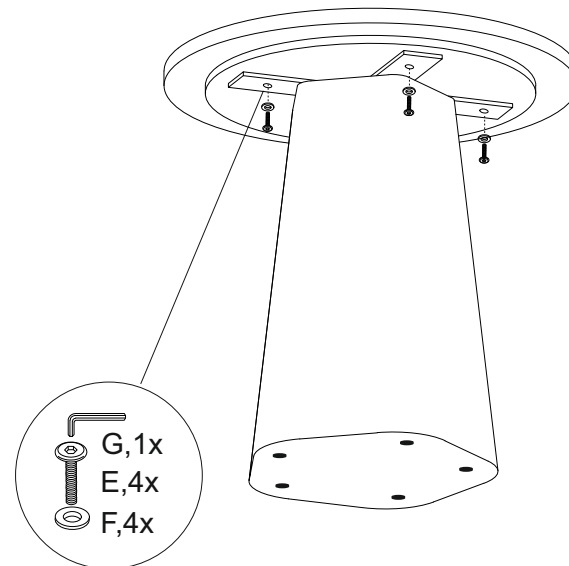
STEP 1.



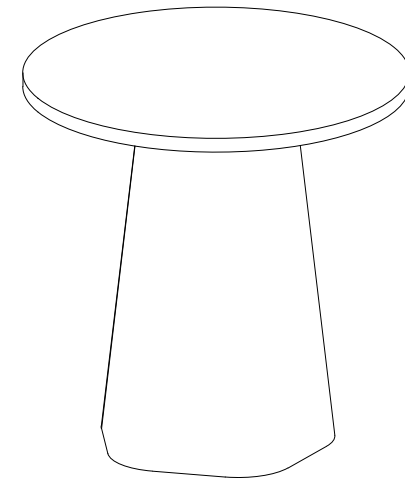
STEP 2.



STEP 3.



Finish



NOTES.

Thank you for purchasing this quality product! Be sure to check all packing material carefully for small part that may have come loose inside the carton shipping.

CAUTION: The item is heavy, assembly should be performed by two people.