


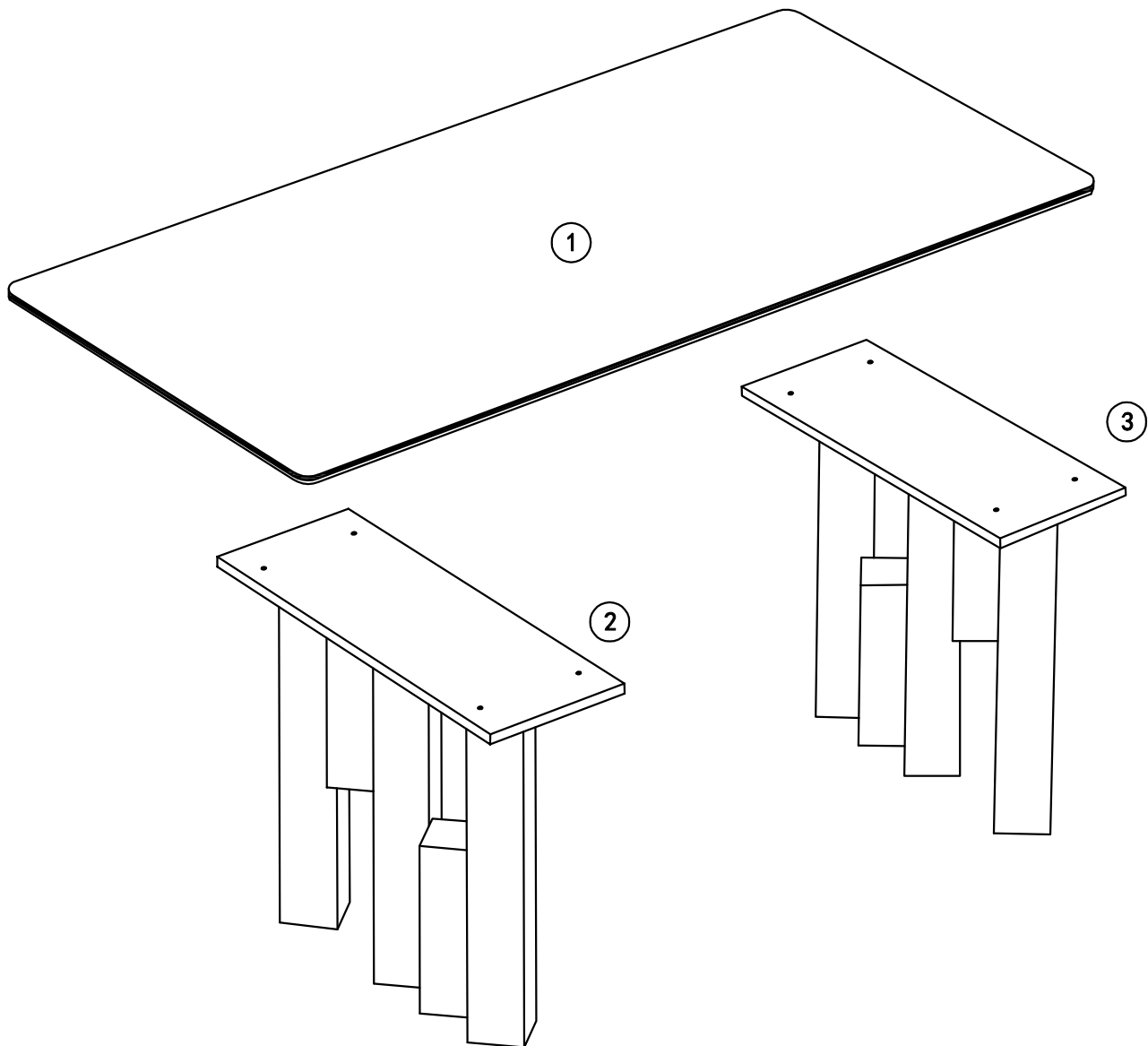
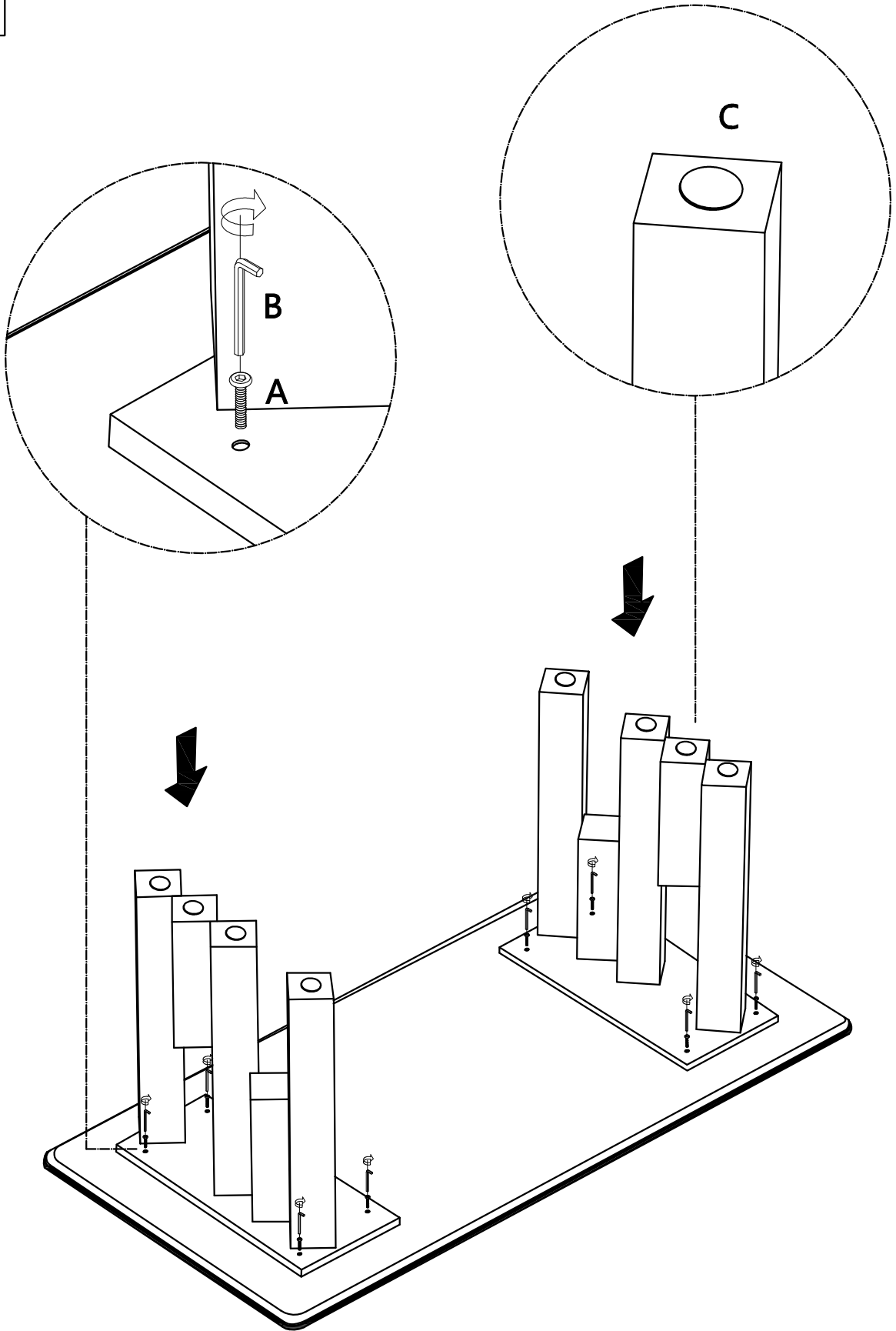


ASSEMBLY INSTRUCTION FOR DINING TABLE

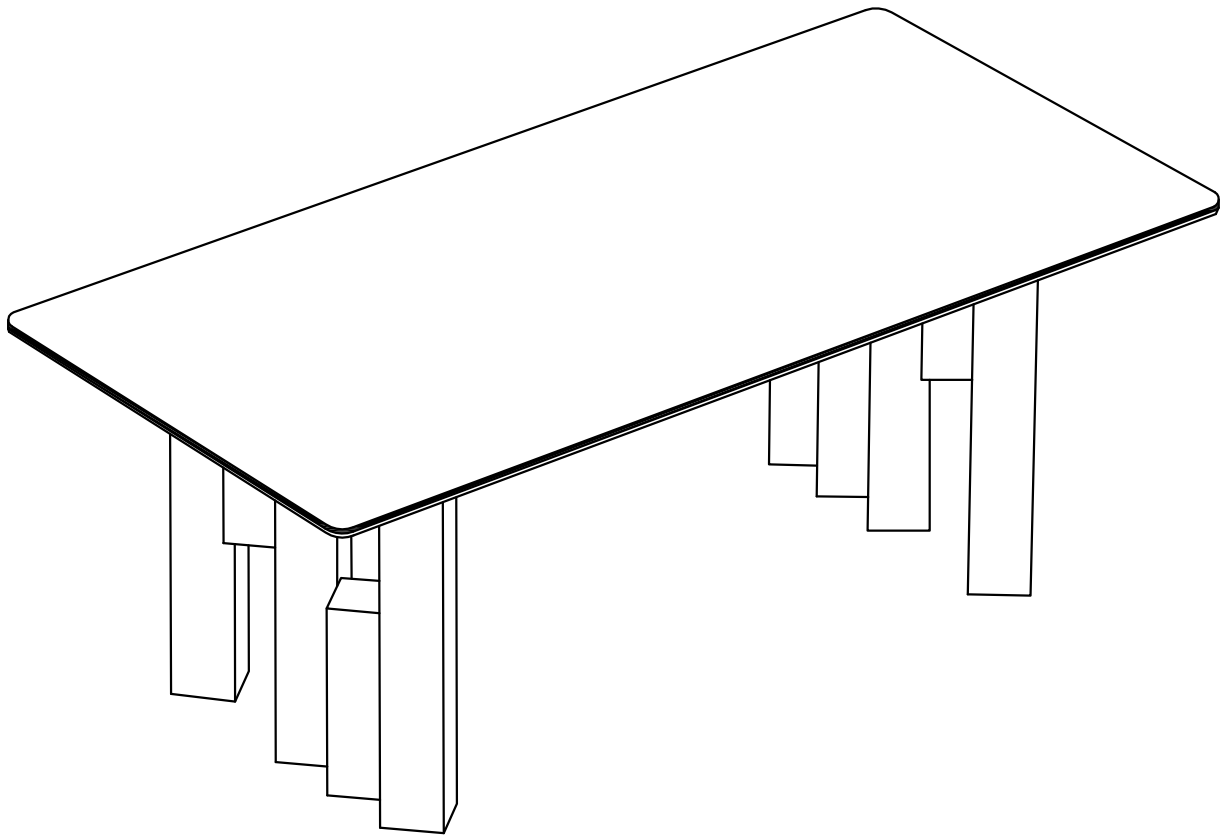
Hardware List				
A		Bolt	8x30mm	8
B		Socket wrench		1
C		Self-Adhesive Furniture Pads		8



Step 1



Step 2



Self-Adhesive Furniture Pads

Your furniture has been expertly crafted and re-adjusted by professionals. However, slight shifts can occur during transportation. If you notice that the furniture wobbles, applying felt pads will ensure stability and maintain a flawless appearance.

Check for stability - Place the furniture in its final position on a level surface. If it wobbles or doesn't sit evenly, simply place the self-adhesive furniture Pads under the uneven legs.