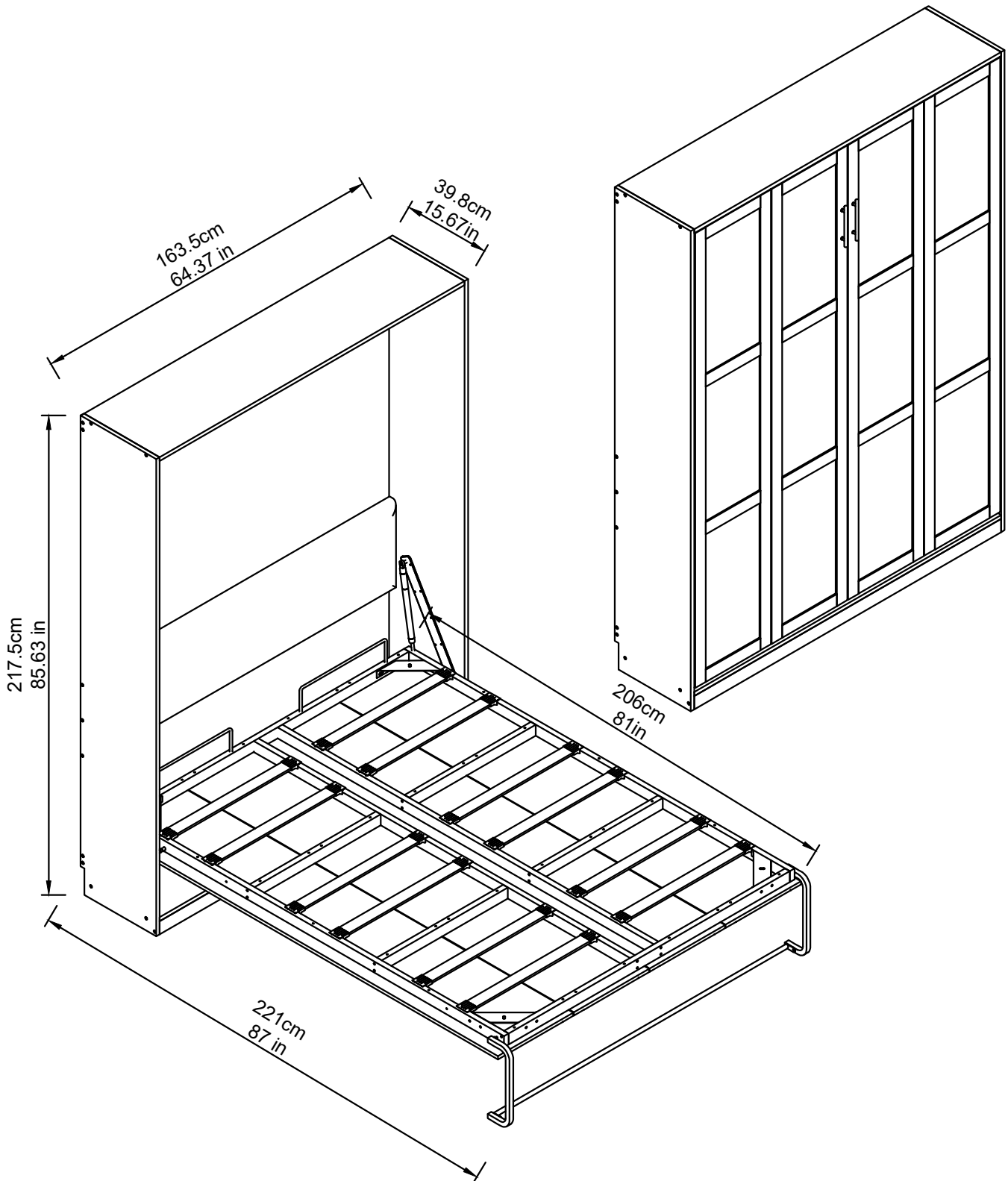


# Assembly Instructions



MH1032

## **IMPORTANT INFORMATION!**

•please read the entire manual before starting to assemble and/or using this product. follow the manual thoroughly and keep it for further reference.

## **AVOID SCRATCHES!**

•In order to avoid scratching this furniture should be assembled on a soft layer-could be a rug.

## **IMPROVE EFFICIENCY !**

•Try to find a partner to install with you, which can speed up the installation efficiency and shorten the time.

## **IMPORTANT !**

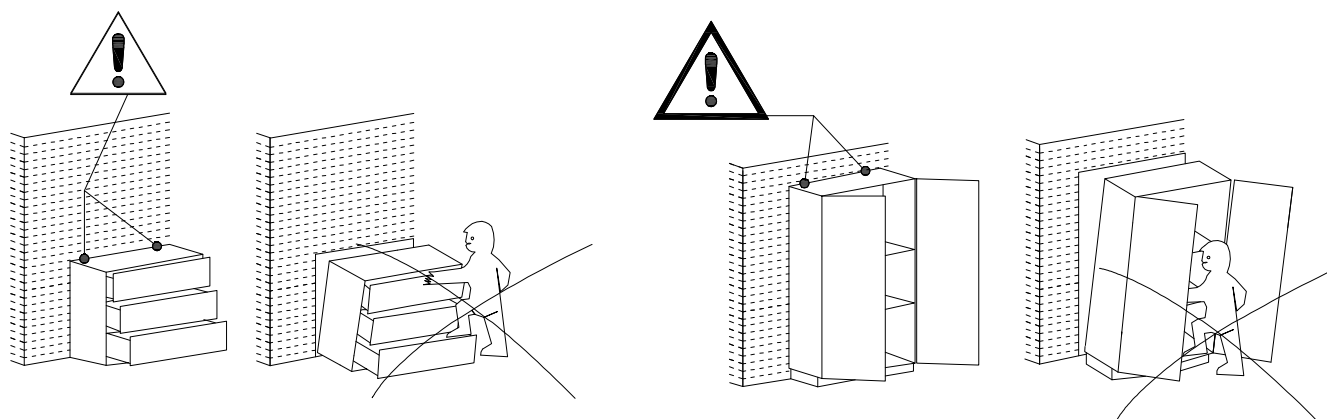
•It is important that any product which is assembled using any kind of screw is re-tightened 2 weeks after assembly, and once every 3 months - in order to assure stability through-out the lifespan of the product.

•For regular maintenance and cleaning of the product, for the frame, please use a rag dipped in neutral detergent to fully wipe it, and then dry it with a clean rag. For glass materials, wipe with a rag dampened with water glass cleaner, and then dry with a dry rag.

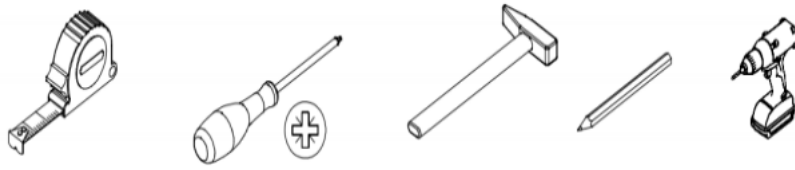
•Do not use an electric screwdriver, and do not use too much force when installing, because the board is easy to break.

## **ANTI-TOPPLE WARNING !**

Overtured furniture can cause serious or fatal crush injuries. To prevent tipping over, be sure to use the wall attachment, if not included with this product. Please purchase the wall attachment that fit your wall. If unsure, seek professional advice. Please read and follow each step of the instructions carefully.



Please prepare the following tools



**Installation Notes:**

The furniture is large and heavy, please choose a good placement before installation. After all the installation is completed, try not to move widely, if necessary, please more than one person to cooperate to carry out.

Please note: After the overall installation is completed, such as vigorous dragging, or brute force to help carry, may cause irreversible damage to the object connection position or plate, the occurrence of cracks, affecting the use and appearance.

The assembly must be done by two people.

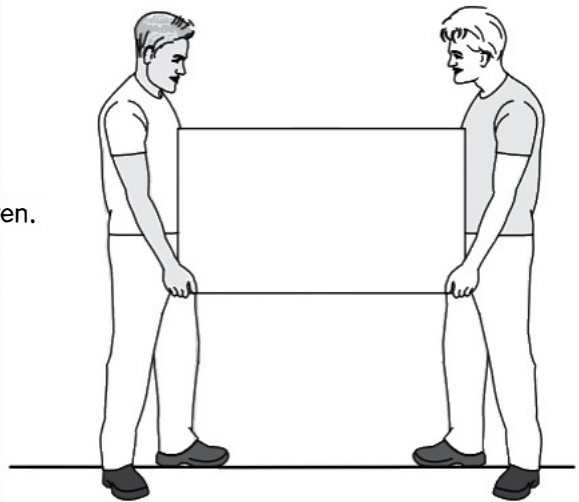
L'assemblage doit être effectué par deux personnes.

Es wird empfohlen, dass zwei Personen den Artikel montieren.

El montaje debe ser efectuado por dos personas.

A montagem deve ser efetuada por duas pessoas.

Il montaggio deve essere effettuato da due persone.



This product contain small parts, please, keep out of reach of children.

Ce produit contient de petites pièces, s'il vous plait, à conserver hors de portée des enfants.

Bitte halten Sie kleine Teile außerhalb der Reichweite von Kindern.

Este producto contiene piezas pequeñas, mantener fuera del alcance de los niños.

Este produto contém peças pequenas, por favor, mantenha fora do alcance das crianças.

Questo prodotto contiene piccole parti, si prega di tenerle fuori dalla portata dei bambini.

REAL SIZE- TAILLE RÉELLE - ORIGINALGRÖÖE - TAMAÑO VERDADERO - TAMANHO REAL- DIMENSIONE REALE

In case of doubt, compare the hardware with the full-size images below.

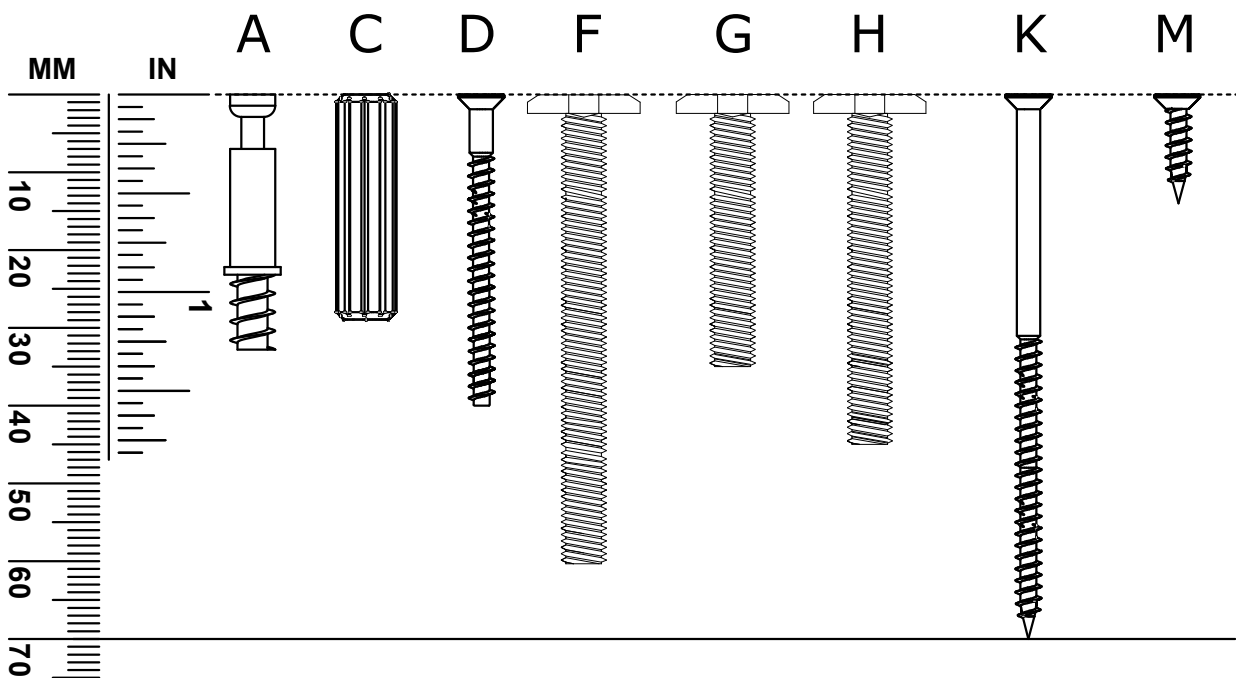
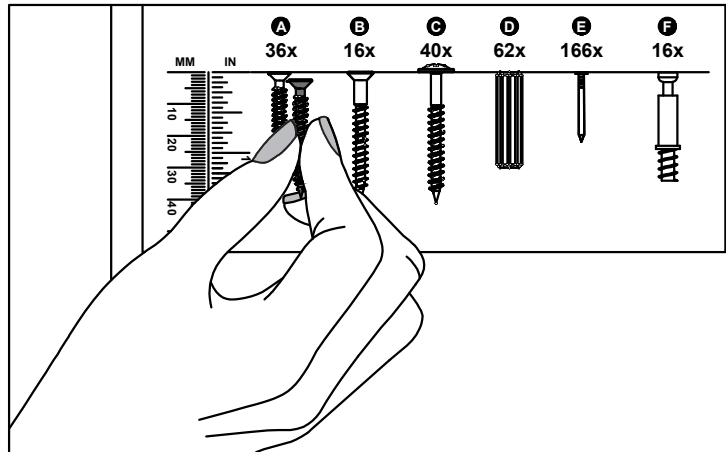
En cas de doute, veuillez comparer le matériel avec les images en taille réelle ci-dessous.

Vergleichen Sie im Zweifelsfall die Schrauben mit den Abbildungen in Originalgröße.

En caso de dudas, compare las herrajes con las imágenes a seguir en tamaño real.

Em caso de dúvida, compare as ferragens com as imagens abaixo em tamanho real.

In caso di dubbio, confronta le ferramenta con le immagini sottostanti a grandezza reale.



A x 4



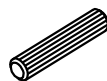
Ø6 x 34mm

B x 4



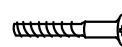
Ø15 x 9.5mm

C x 12



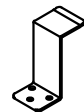
Ø8 x 30mm

D x 16



M5 x 40mm

E x 16



45x51x25

F x 42



M6 x 60mm

G x 26



M6 x 35mm

H x 32



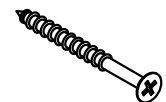
M6 x 45mm

J x 6



Ø6 x 52mm

K x 6



Ø5 x 70mm

L x 6



M x 56



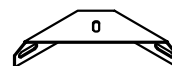
M3.5 x 12mm

N x 38



M6

P x 4



Q x 16



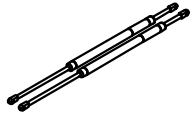
M6

R x 24



Ø4 x 16mm

S x 2



X x 4



M6 x 25mm

T x 4



M8

Y x 24



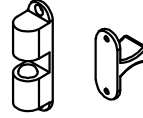
58\*58\*20mm

U x 2



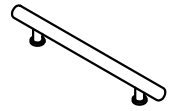
M8

Z x 2



Ø8 x 60mm

V x 2



AA x 1



M4

W x 4



M4 x 20mm

BB x 1



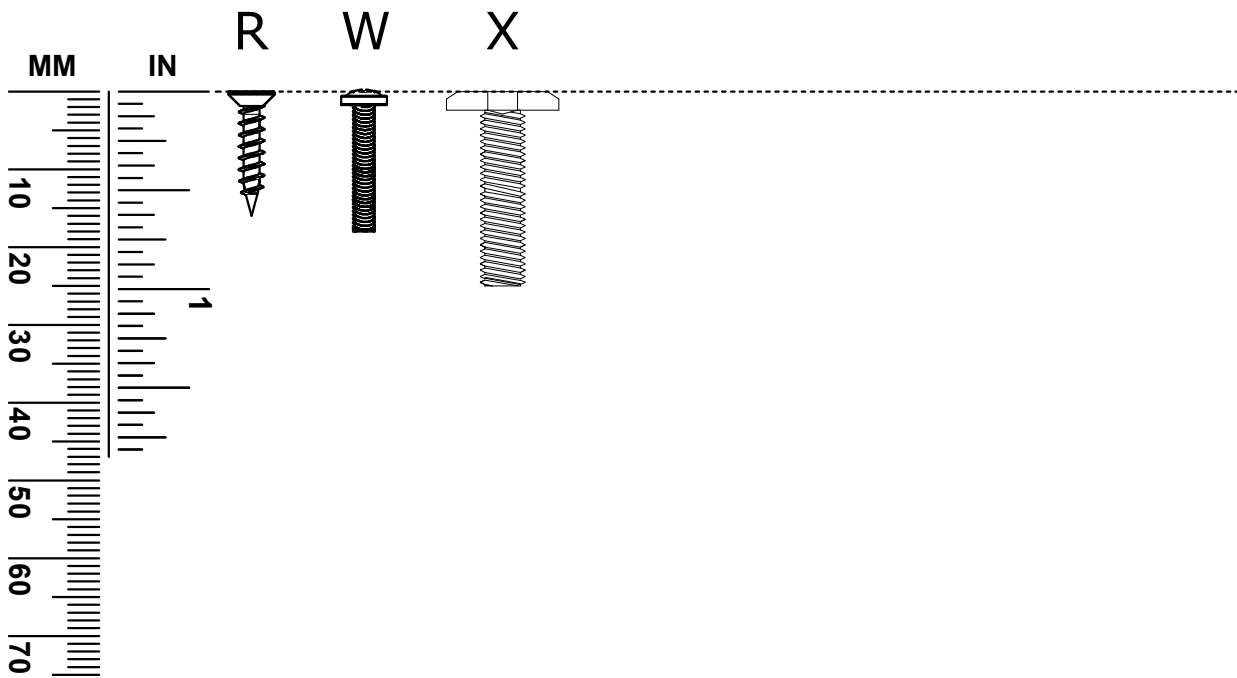
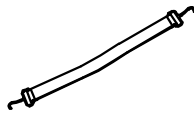
M6-10

CC x 1



M8-13

DD x 2



**ATTENTION - AVERTISSEMENT - ACHTUNG - ATENCIÓN - ATENÇÃO - ATTENZIONE**

Assemble the furniture on a clean and flat surface and cover it with the cardboard of the packaging.

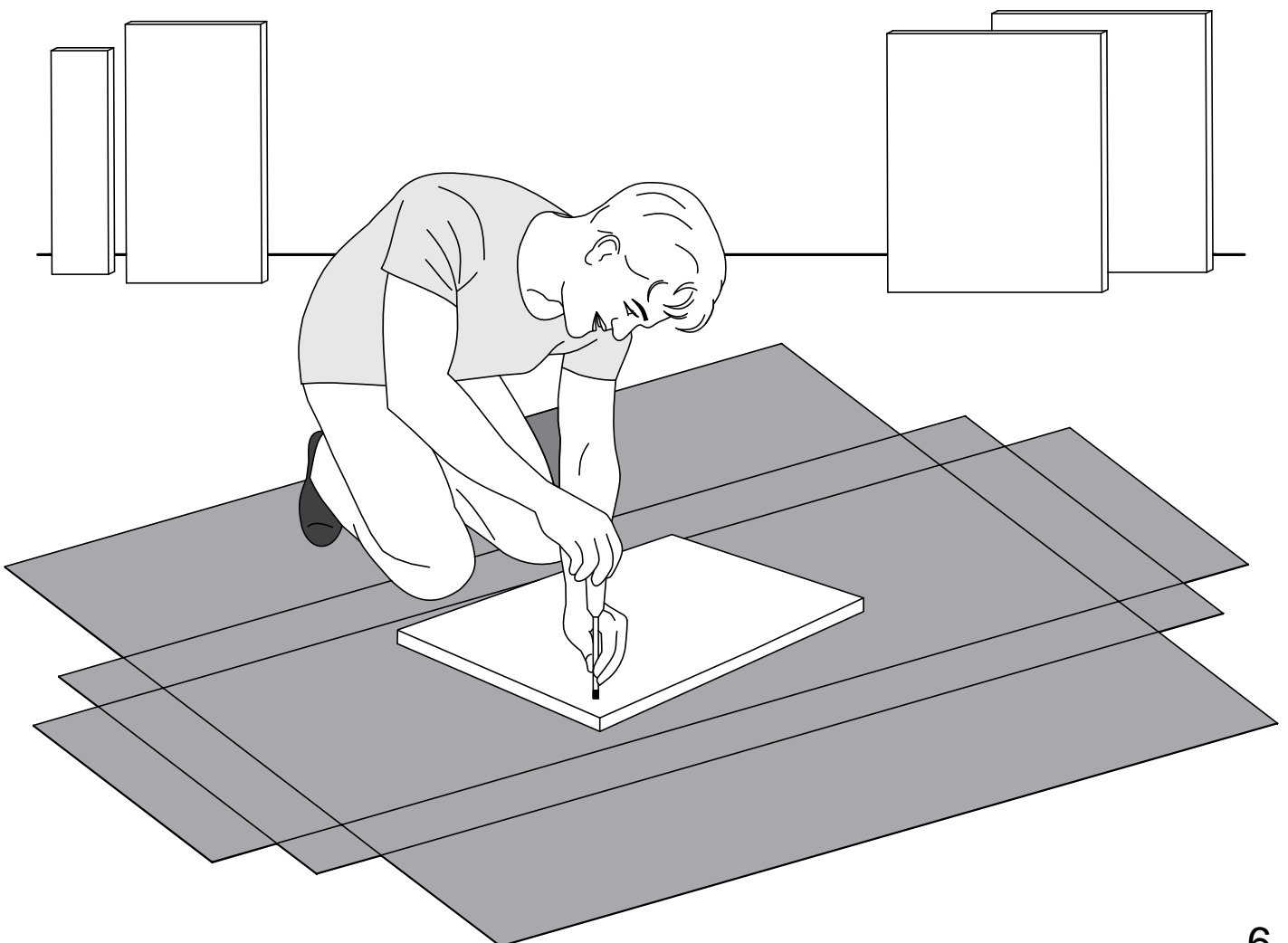
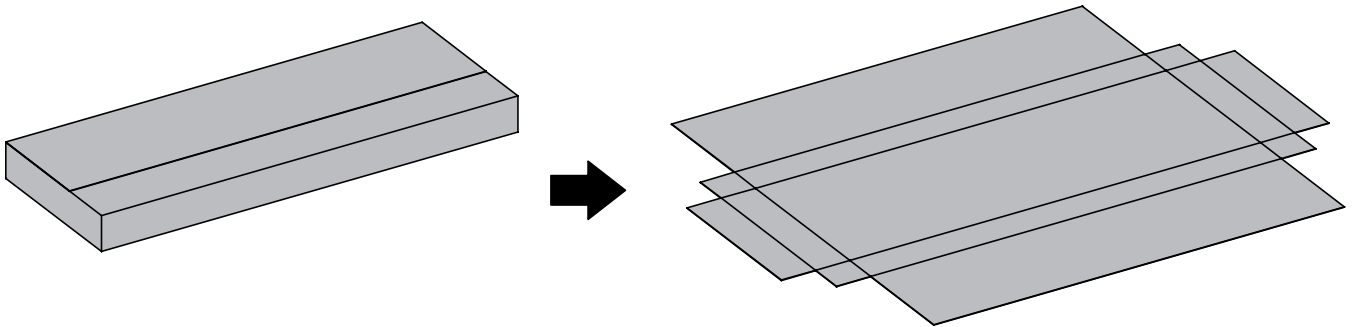
Assemblez le meuble sur une surface propre et plane et couvrez-le avec le carton de l'emballage du produit.

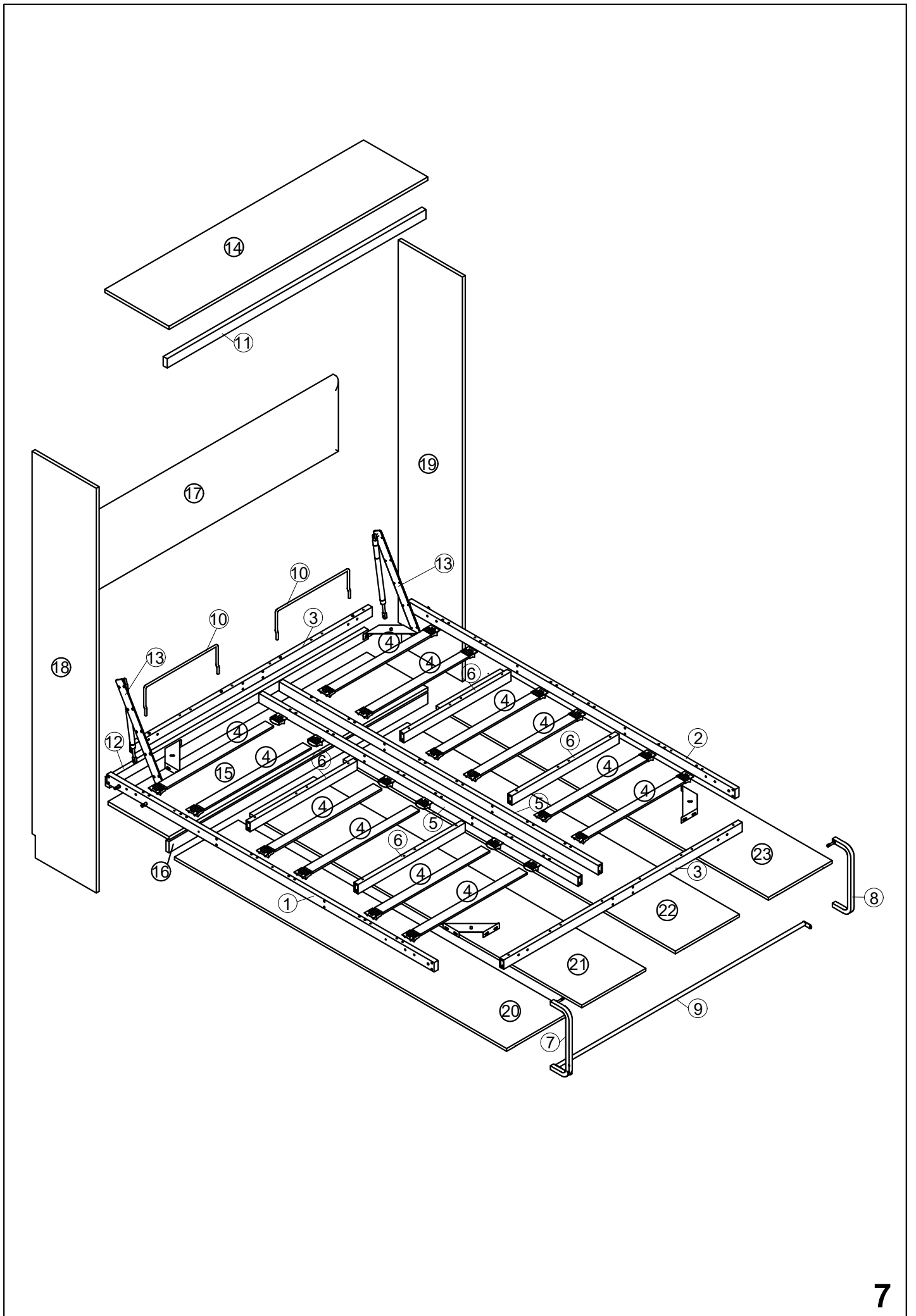
Um Beschädigungen zu vermeiden, montieren Sie den Artikel auf einer weichen, sauberen Unterlage.  
Tipp: Legen Sie den Artikel auf dem Verpackungskarton.

Montar el mueble sobre una superficie limpia y plana y cubrirlo con el cartón del embalaje del producto.

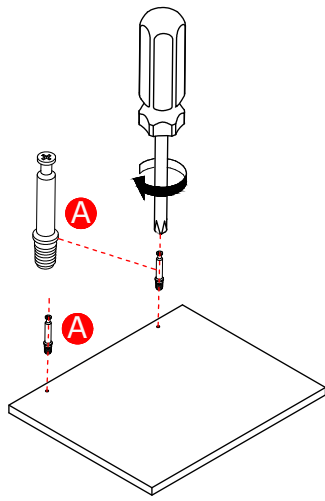
Montar o móvel sobre uma superfície limpa e plana e forrá-la com o papelão da embalagem do produto.

Montare il mobile su una superficie pulita e piana e rivestirla con il cartone d'imballaggio del prodotto.

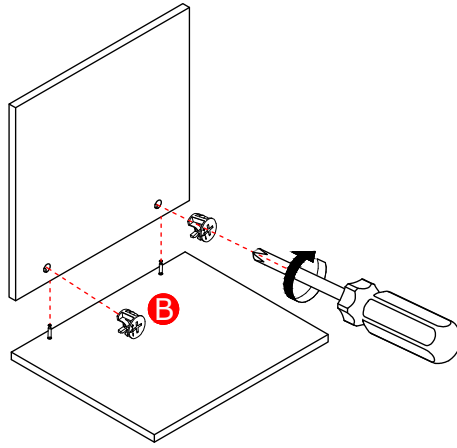




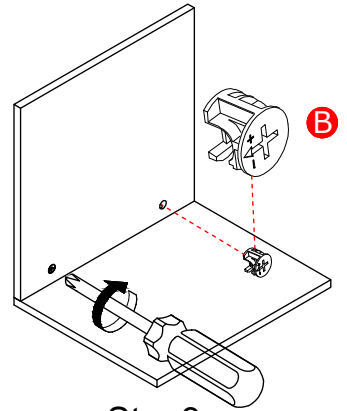
# Use parts **A** and **B**



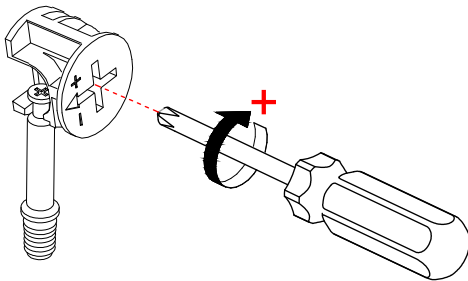
Step1



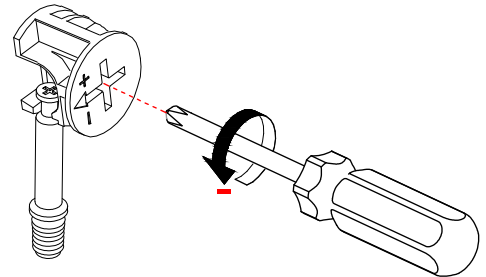
Step2



Step3

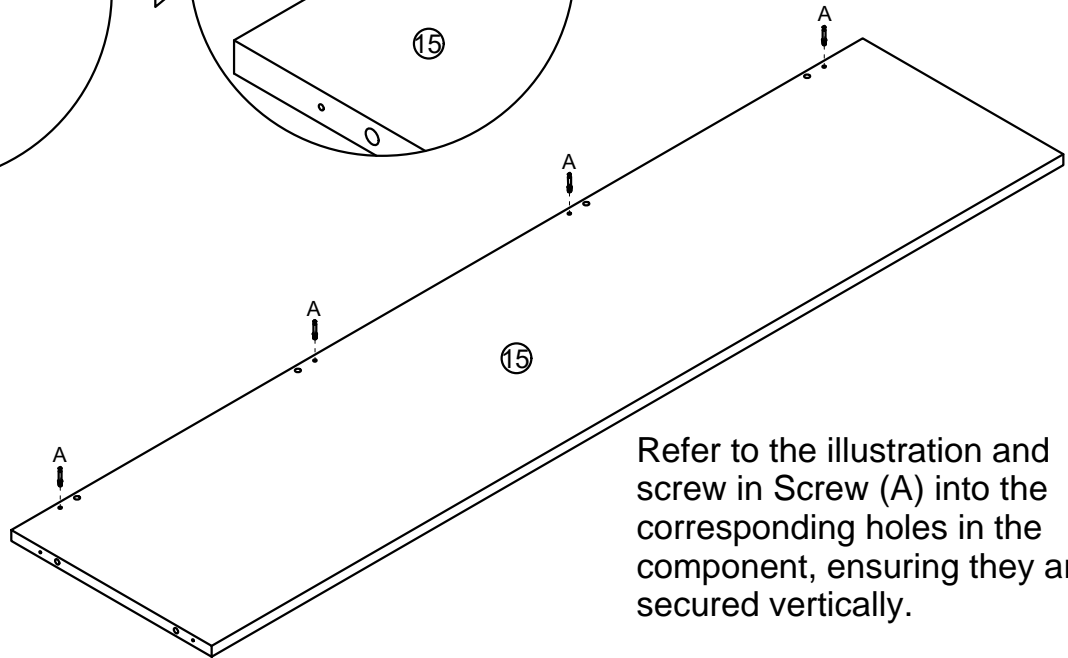
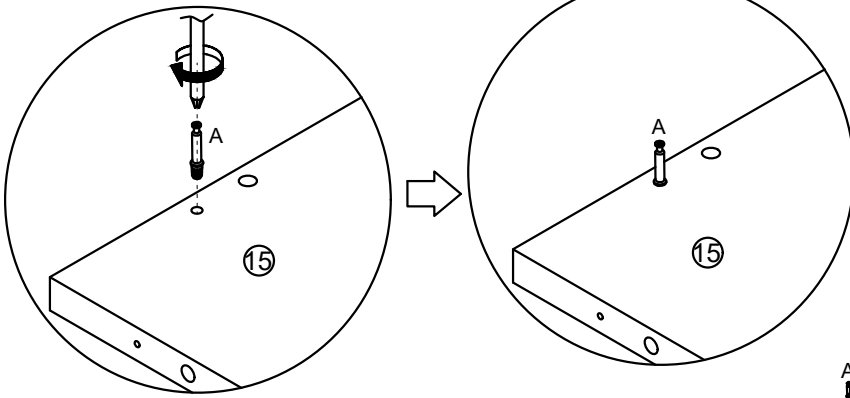
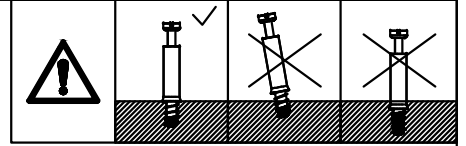
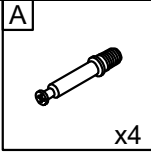


Use a screwdriver to lock in the direction of the "+" sign



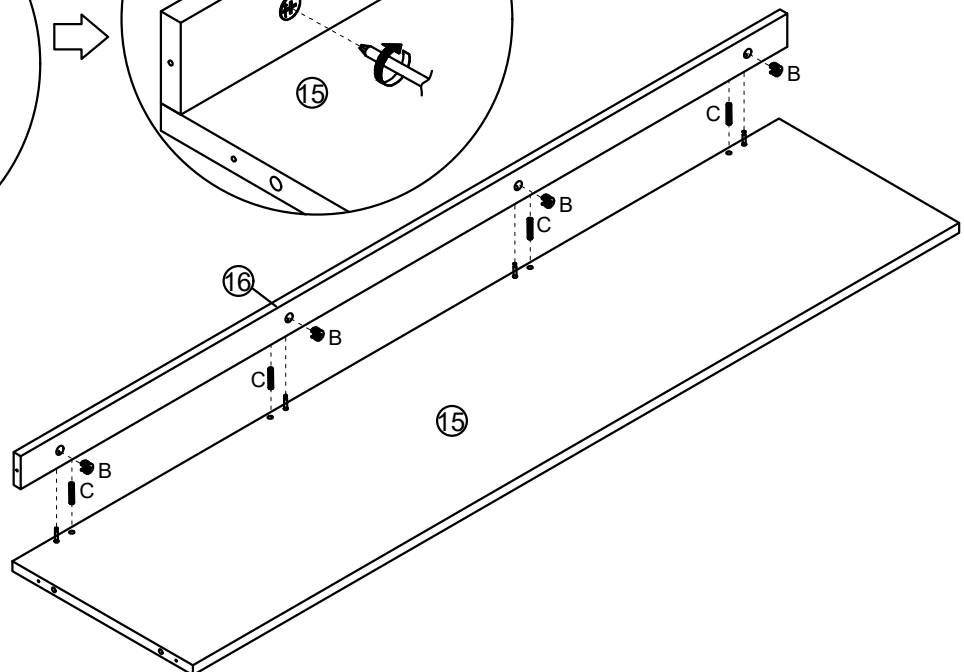
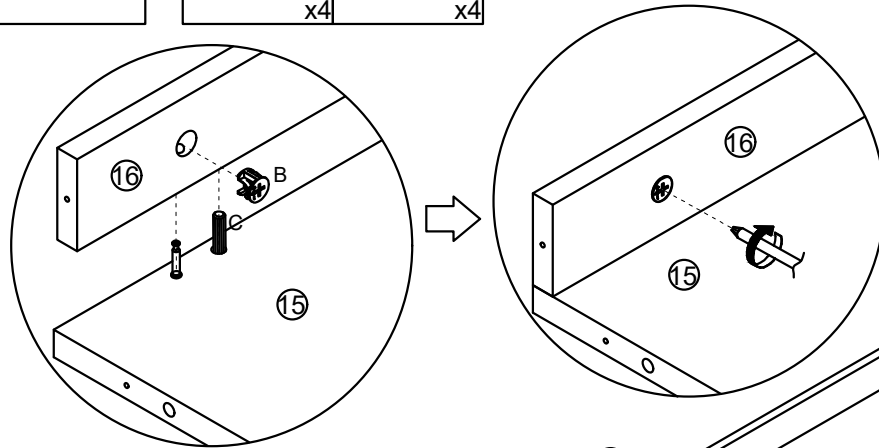
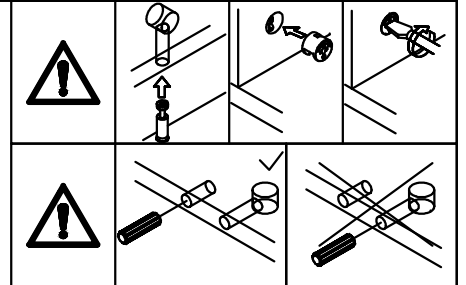
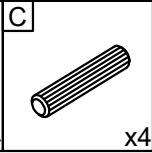
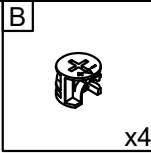
Disassemble along the direction of "-" sign

# 1

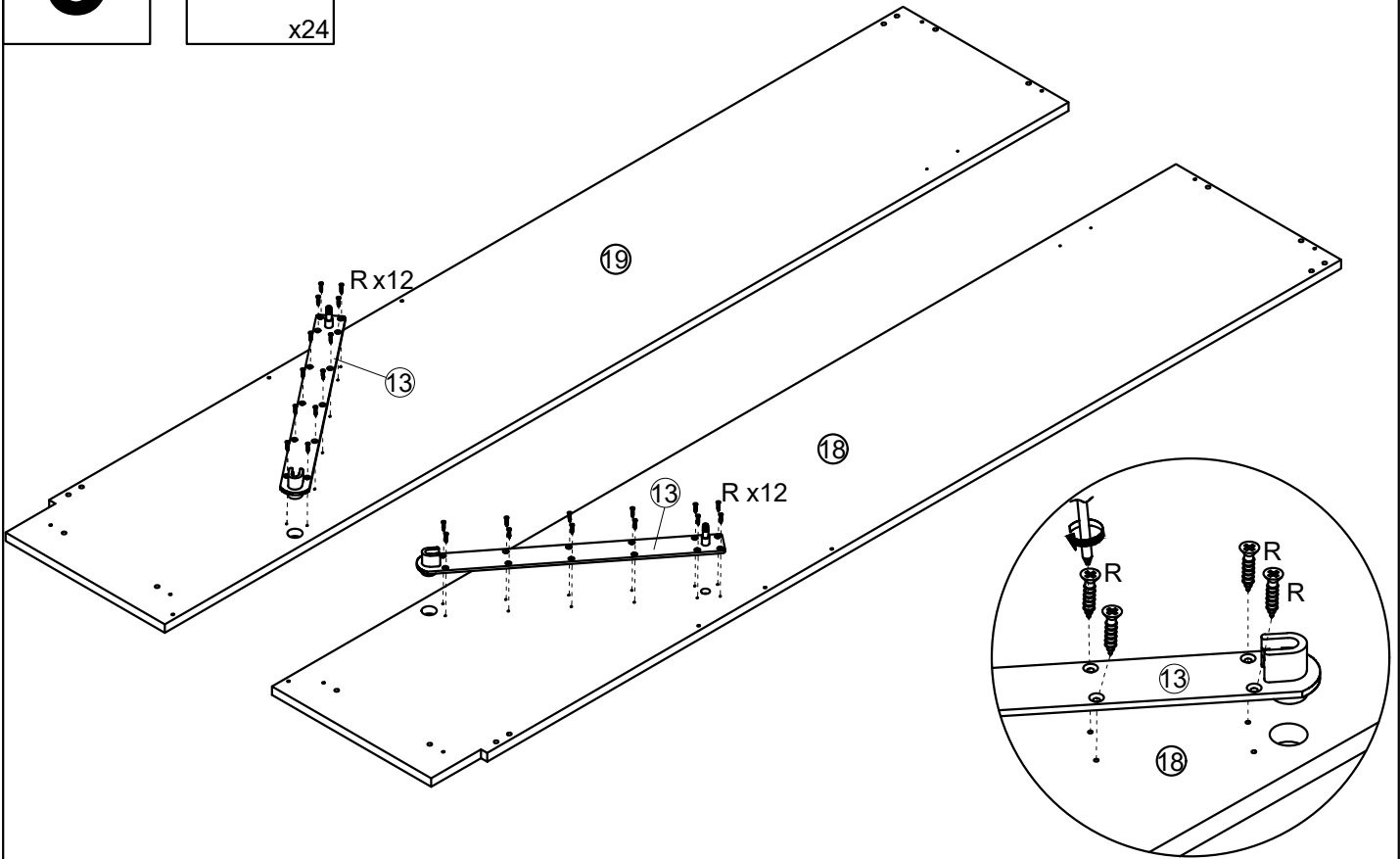
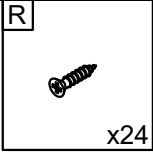


Refer to the illustration and screw in Screw (A) into the corresponding holes in the component, ensuring they are secured vertically.

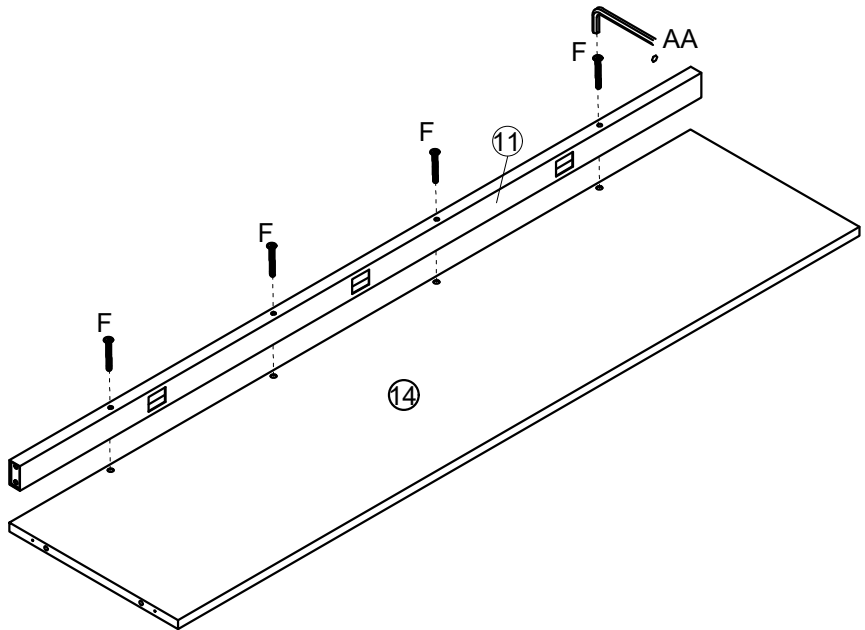
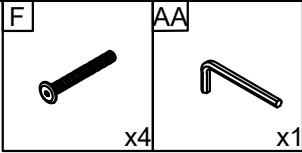
# 2



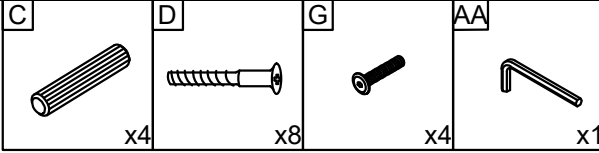
# 3



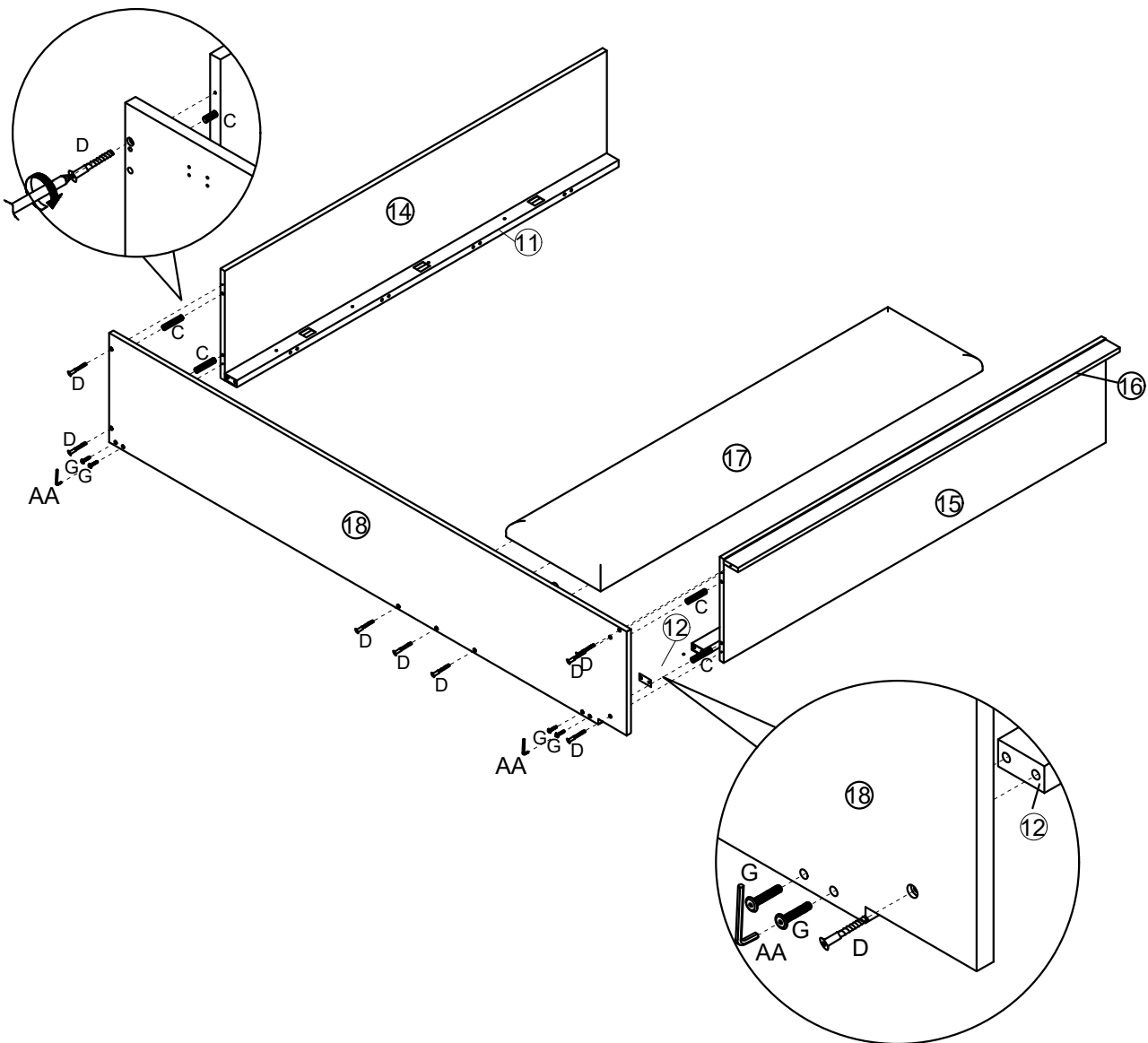
# 4



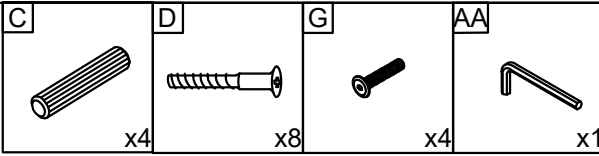
# 5



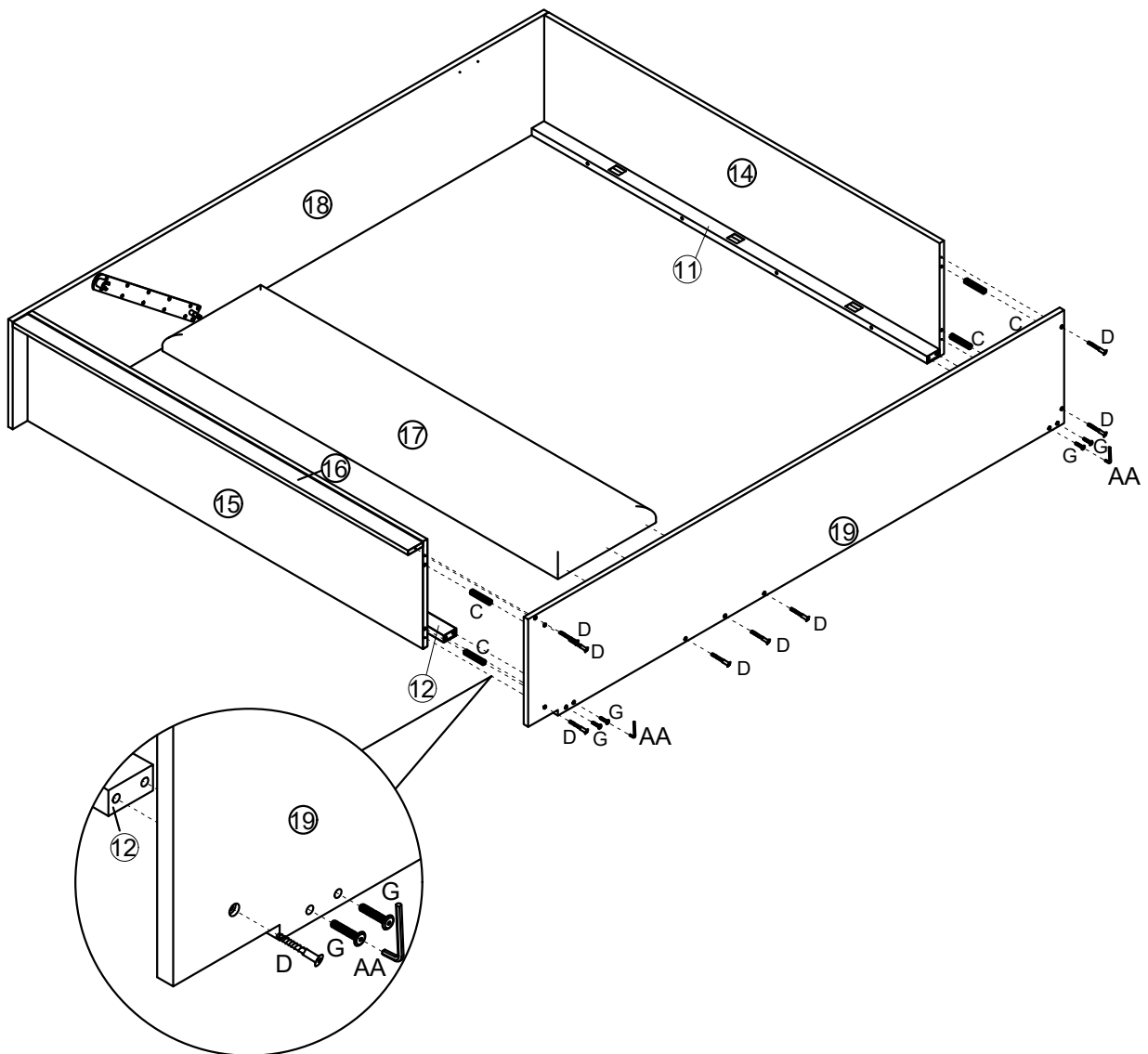
As shown in the figure, secure each component. The side of the soft bag No. 17 has mounting (D) screw guide holes



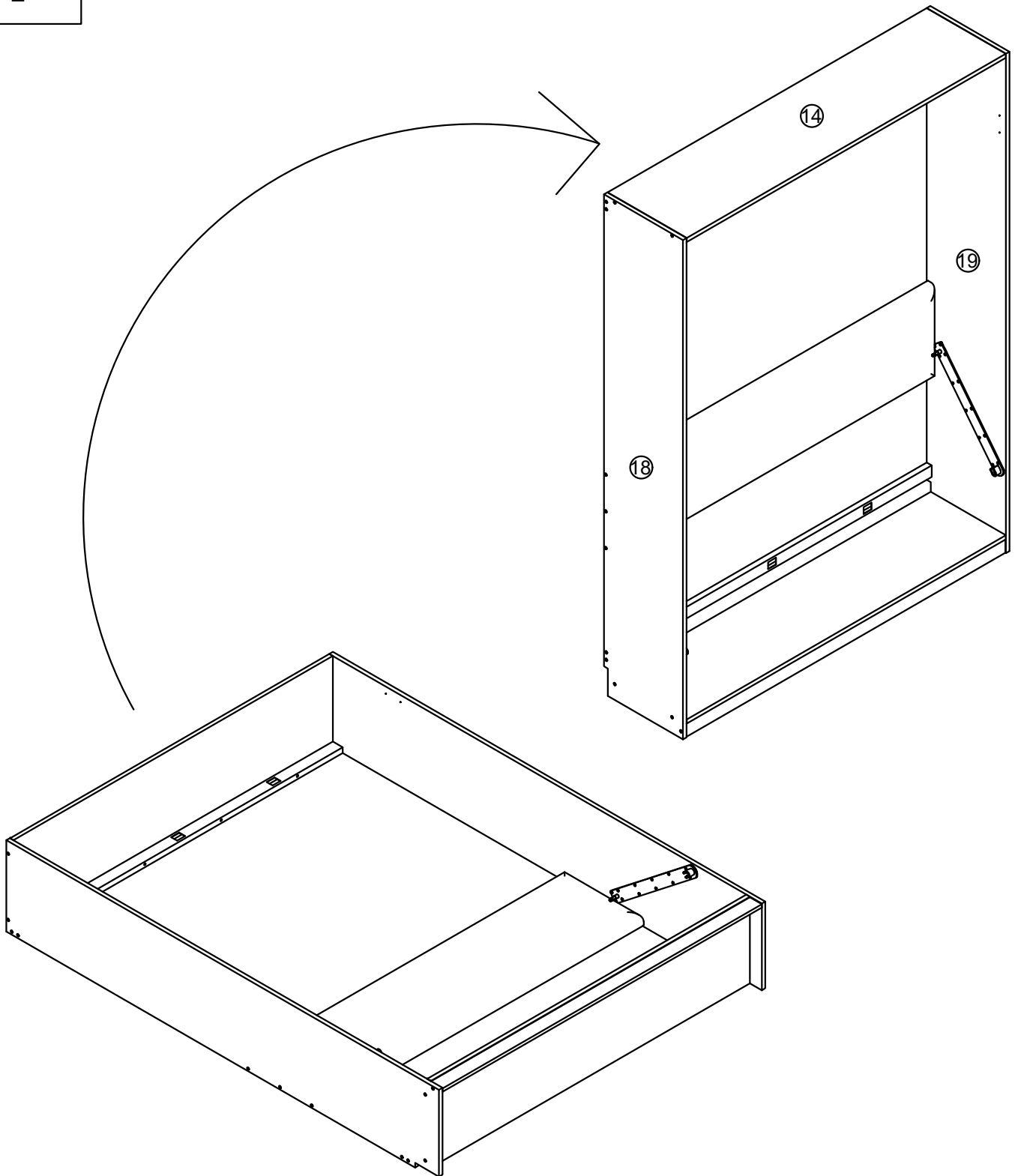
# 6



Please follow the steps in step 5



7



The frame is heavy, and subsequent installation must be done with multiple people working together.

Each time you move, please be careful and operate slowly.

If you violently, there is a risk of damage to the product.





# WALL ANCHORING REQUIREMENTS & INSTALLATION RECOMMENDATIONS

Important information to read before starting the assembly.  
Keep this information for future reference.

## IMPORTANT WARNINGS



Risk of serious injuries if the wall bed tips over.

To prevent wall bed from tipping over, mount it permanently to the wall.

Only a qualified person\* must carry out the installation and any possible adjustment of the wall bed (including disassembly). If the wall bed is not firmly mounted (anchored) to the wall, it might tip over and cause serious injuries to the installer, users of the bed as well as the people near the bed.

Qualified person: it is necessary to have a good understanding of the wall structure where the bed is anchored, including the positioning of the wall studs and structural components in the case of a wood or metal structure. If you do not have the necessary skills, make sure that the wall anchoring is done by someone who has the qualifications and required knowledge. When you choose the installer, make sure to comply with all applicable regulations in the province, state or country where the furniture is installed.

## OTHER TYPES OF WALLS

If the structure of the wall is not wood, metal or masonry: The service of a professional \*\* would be required for the wall anchoring.

## IMPORTANT WARNINGS



## INSTALLATION AND APPROPRIATE HARDWARE

Using appropriate hardware, all the anchor screws of the wall bed must be firmly secured to the wood or metal studs, the structural components, or a masonry wall. Only wall anchor screws for wood-frame walls are provided with this bed.

## NEVER USE DRYWALL ANCHOR SCREWS OR SECURE THE BED TO DRYWALL

See wall anchoring requirements and installation notes provided in the instruction manual, according to the type of wall, and use the appropriate anchors such as described in this manual.

## NUMBER OF SCREWS NEEDED

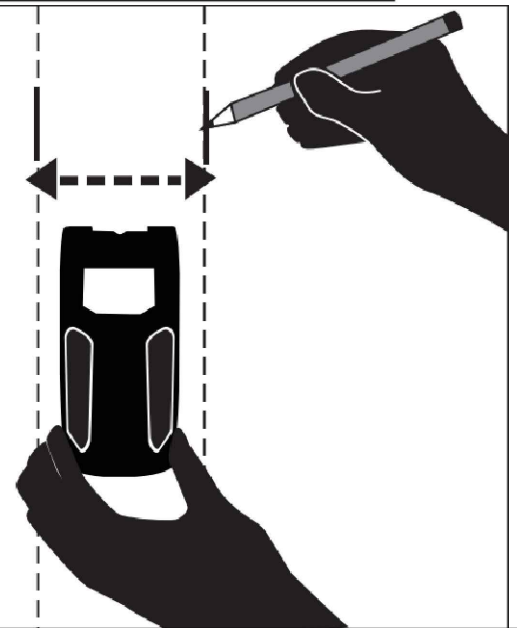
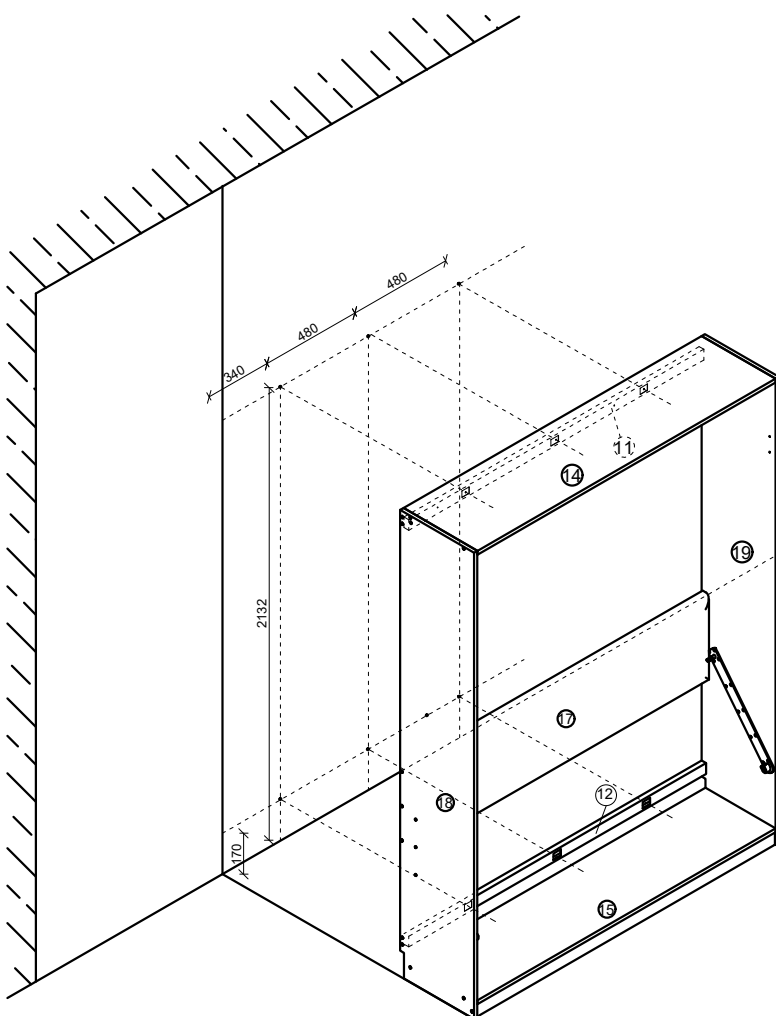
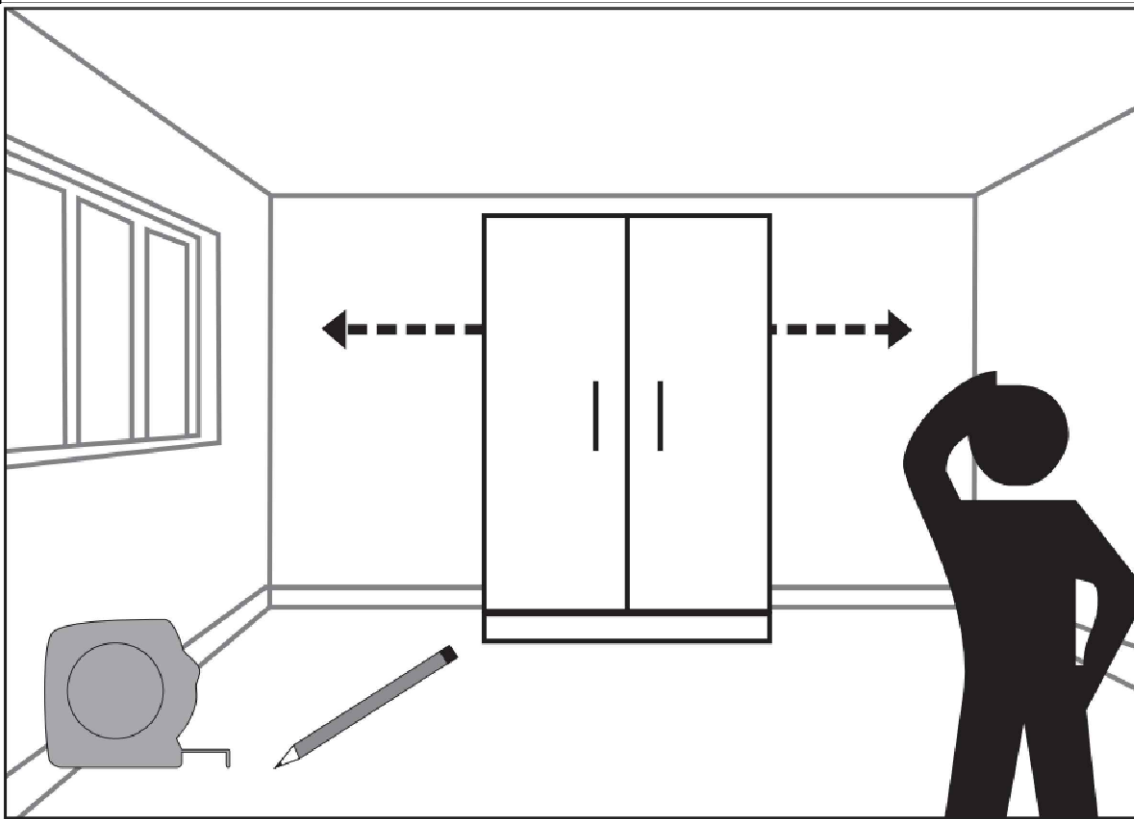
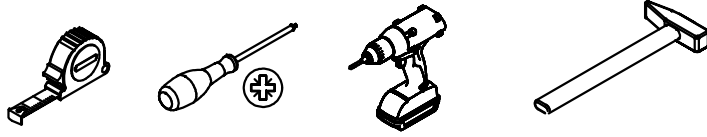
There are 5 locating points each at the top and bottom positions, each locating point requires 1 screw, you need to prepare 10 screws

THE SCREWS MUST BE VERY WELL ANCHORED TO THE STRUCTURAL COMPONENTS OF THE WALL.

A CERTIFIED CONSTRUCTION PROFESSIONAL, IN COMPLIANCE WITH APPLICABLE REGULATIONS IN THE PROVINCE, STATE, OR COUNTRY WHERE THE FURNITURE IS INSTALLED

## PROBLEMS OR INFORMATION

# 8



As shown in the figure, we will first select the installation position of the bed frame. First, measure the position of the fixed hole. You need measure accurately, Measurement errors will make it impossible to install later Professional installation masters are more likely to solve this difficult step.

# WALL ANCHORING INSTRUCTIONS

INSTALLATION RECOMMENDATIONS — WOOD STUDS

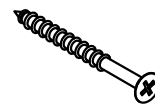
WALL COMPOSITION ---Wood studs



## HARDWARE

K

L



Ø5 x 70mm



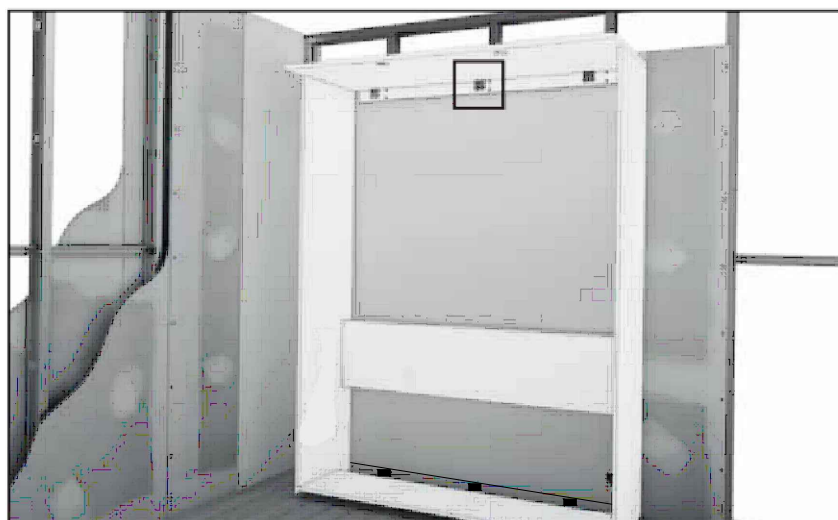
Ø3.5

ACCORDING TO YOUR WALL TYPE AND COMPOSITION, YOUR PROFESSIONAL INSTALLER SHOULD APPROVE THE CHOICE OF ANCHOR SCREWS AND SELECT, IF REQUIRED, MORE APPROPRIATE ANCHORING DEVICES.

# WALL ANCHORING INSTRUCTIONS

INSTALLATION RECOMMENDATIONS — METAL STUDS

WALL COMPOSITION ---Metal studs



## HARDWARE



Ø11

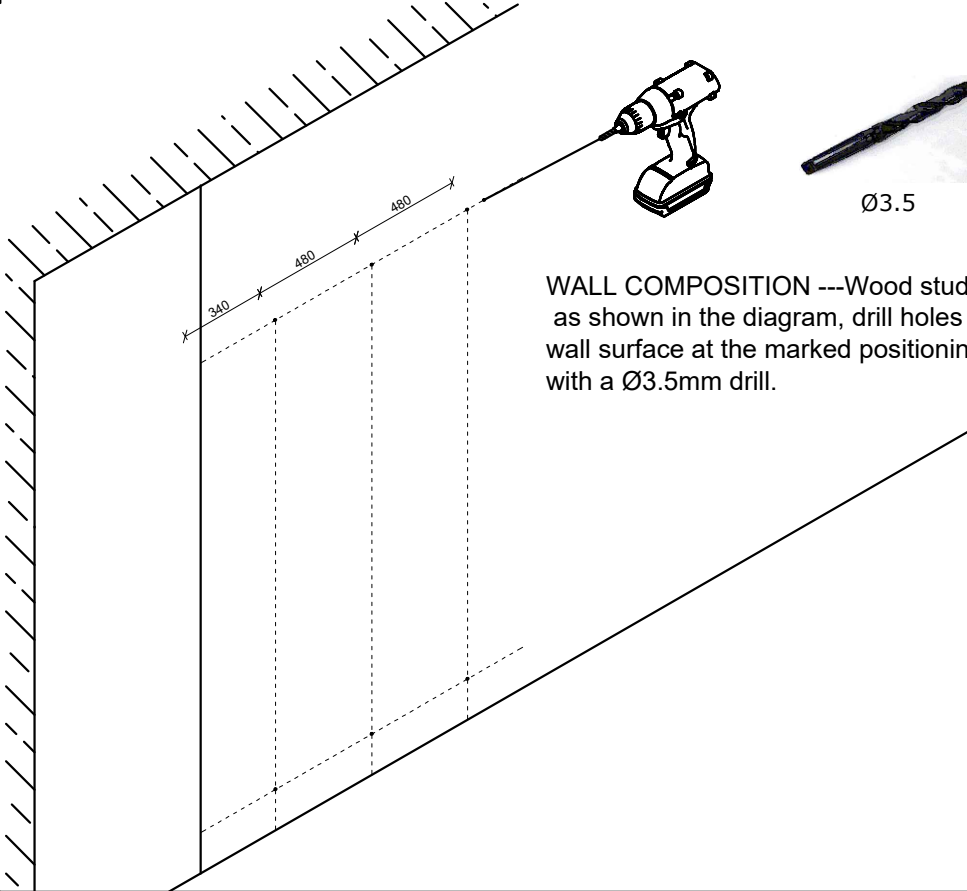
ACCORDING TO YOUR WALL TYPE AND COMPOSITION, YOUR PROFESSIONAL INSTALLER SHOULD APPROVE THE CHOICE OF ANCHOR SCREWS AND SELECT, IF REQUIRED, MORE APPROPRIATE ANCHORING DEVICES.

# 9

## WALL ANCHORING INSTRUCTIONS

INSTALLATION RECOMMENDATIONS — WOOD STUDS

WALL COMPOSITION ---Wood studs



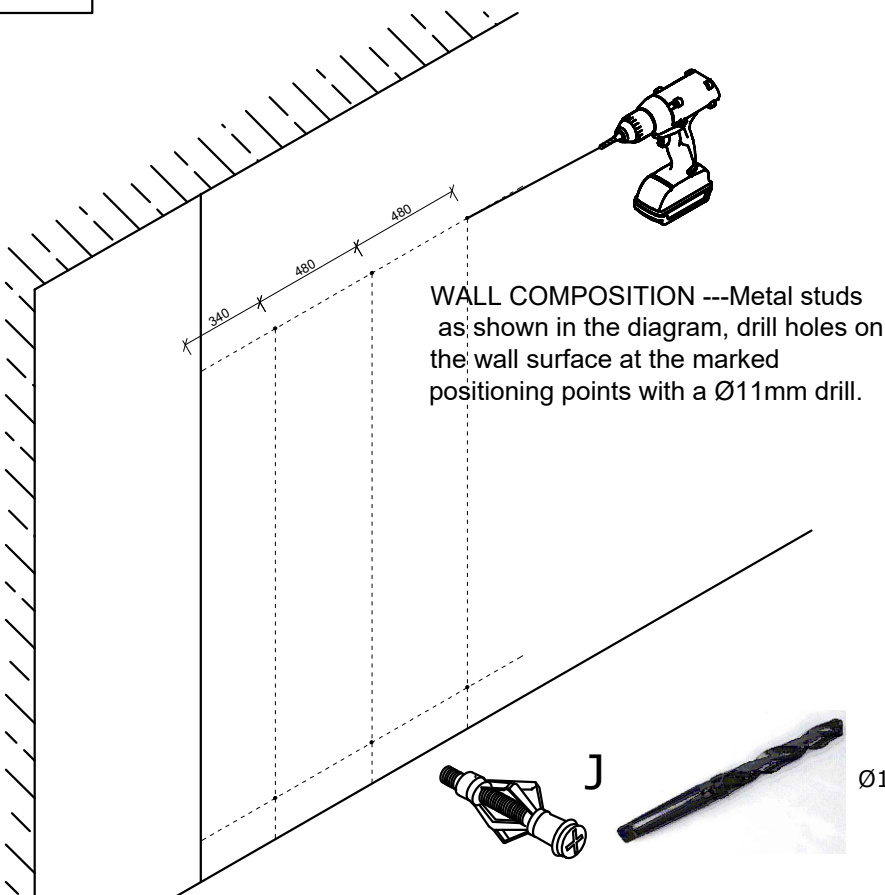
WALL COMPOSITION ---Wood studs as shown in the diagram, drill holes on the wall surface at the marked positioning points with a Ø3.5mm drill.

# OR

## WALL ANCHORING INSTRUCTIONS

INSTALLATION RECOMMENDATIONS — METAL STUDS

WALL COMPOSITION ---Metal studs



WALL COMPOSITION ---Metal studs as shown in the diagram, drill holes on the wall surface at the marked positioning points with a Ø11mm drill.



1 . Screw the expansion bolt into the drilled hole, and screw the pan head screw out a bit.

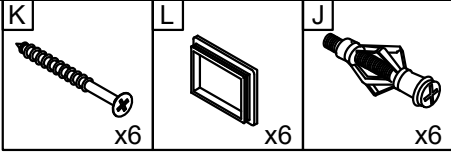
2 .The special tool clamps the head of the pan head screw and pulls the special tool.

3 .Expand the casing by the pull of the tool to clamp the first layer of solid thickness.

4 .The effect inside the stretched wall

5 .After the pipe is completely fixed, unscrew the middle screw.

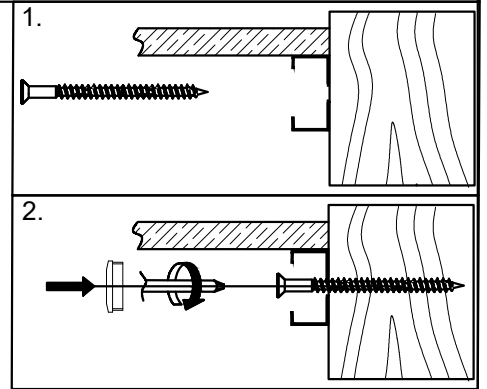
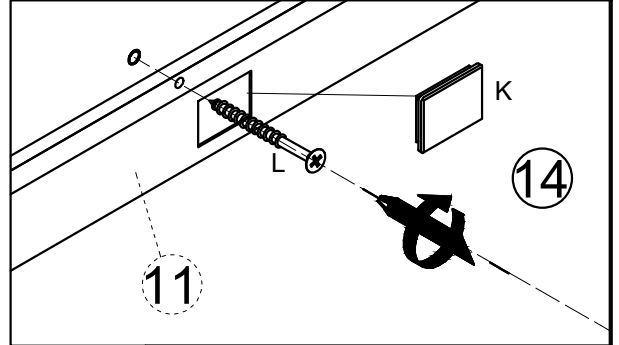
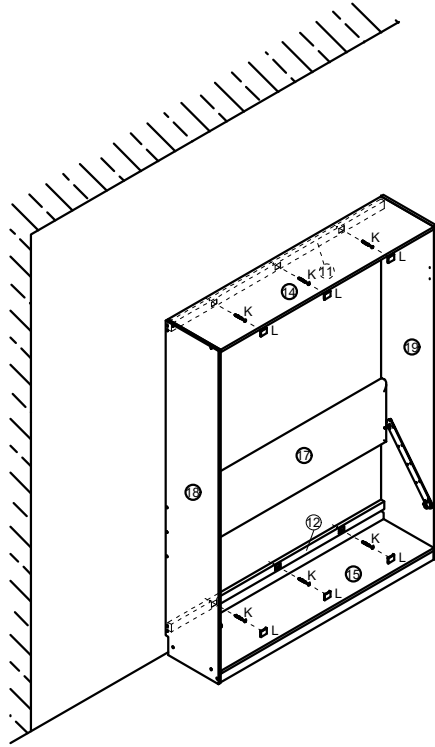
# 10



## WALL ANCHORING INSTRUCTIONS

INSTALLATION RECOMMENDATIONS — WOOD STUDS

WALL COMPOSITION ---Wood studs

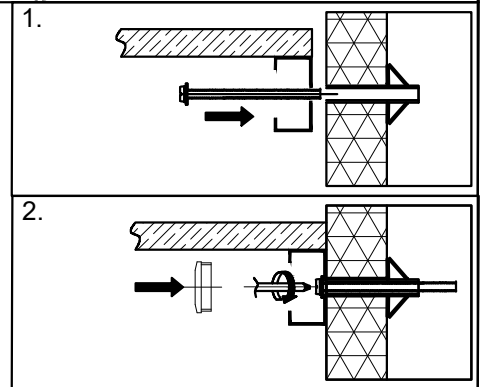
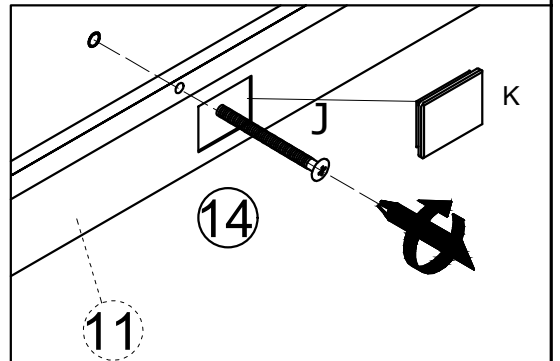
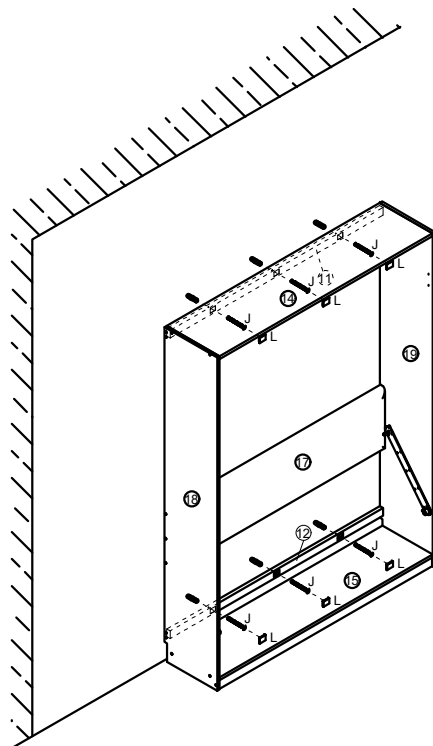


# OR

## WALL ANCHORING INSTRUCTIONS

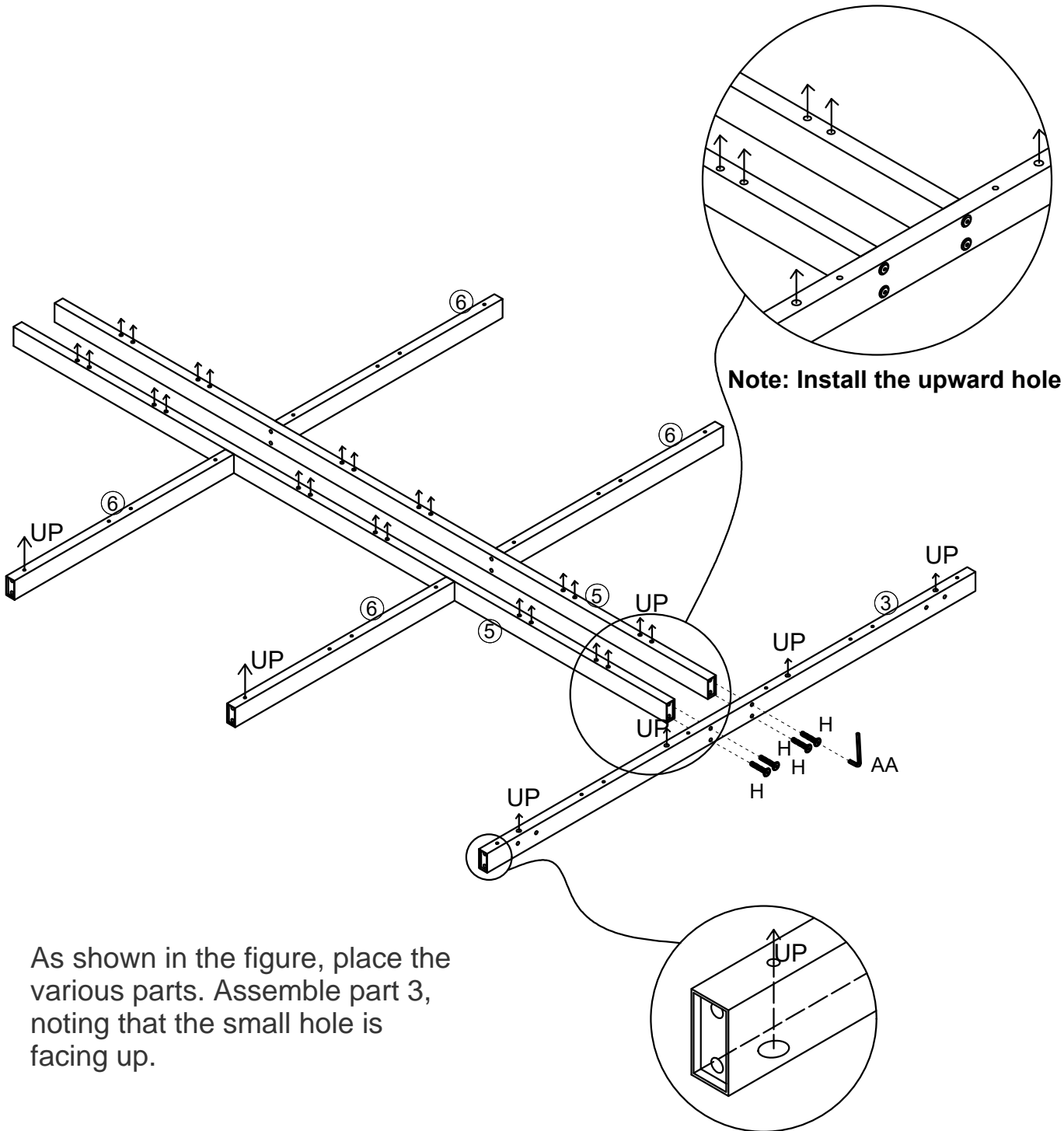
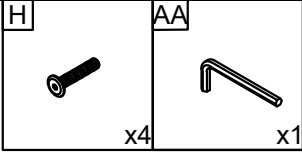
INSTALLATION RECOMMENDATIONS — METAL STUDS

WALL COMPOSITION ---Metal studs





# 12

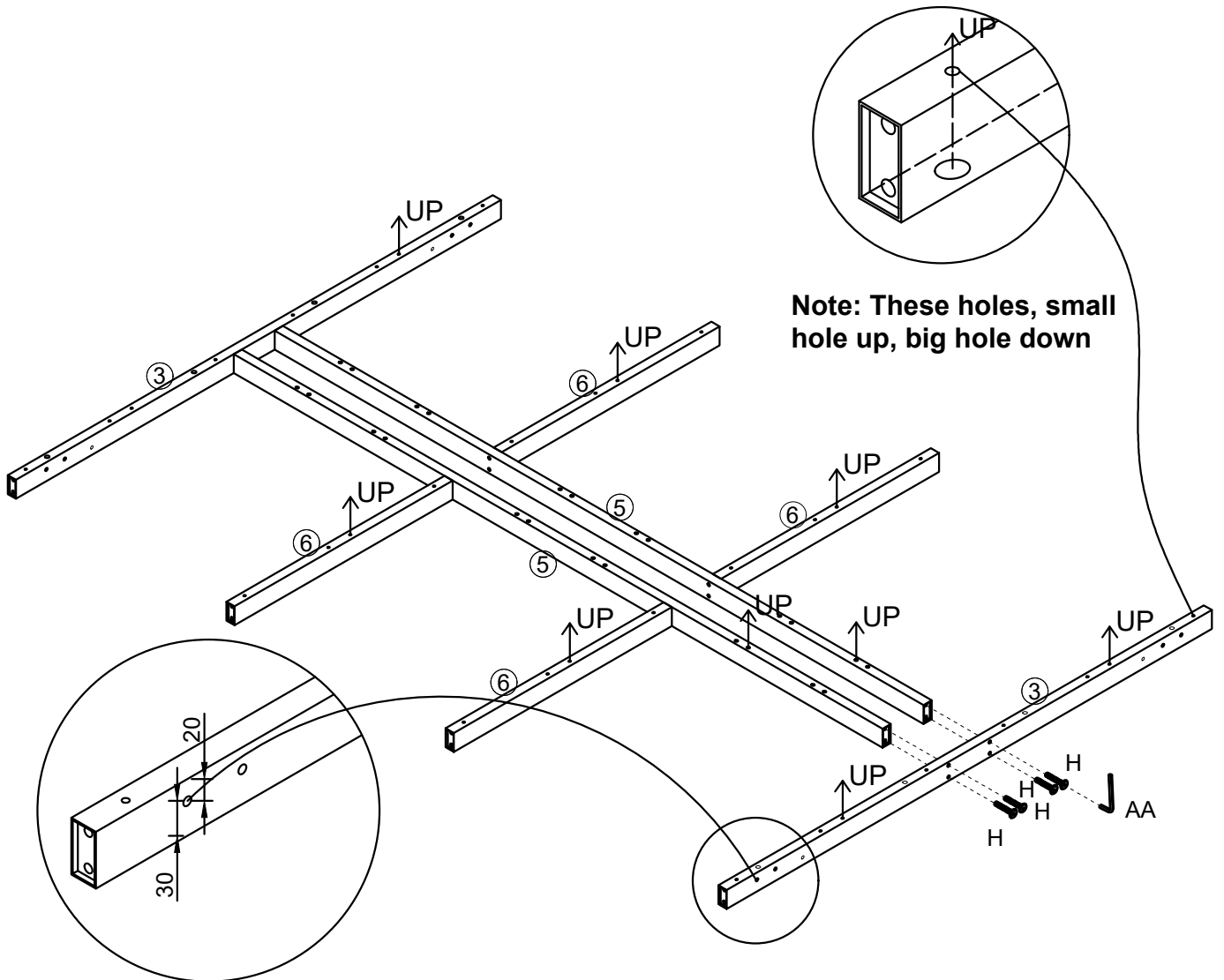
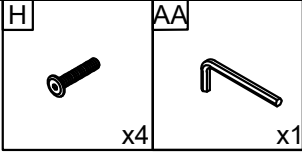


**Note: Install the upward hole**

As shown in the figure, place the various parts. Assemble part 3, noting that the small hole is facing up.

**Note: These holes, small hole up, big hole down**

# 13

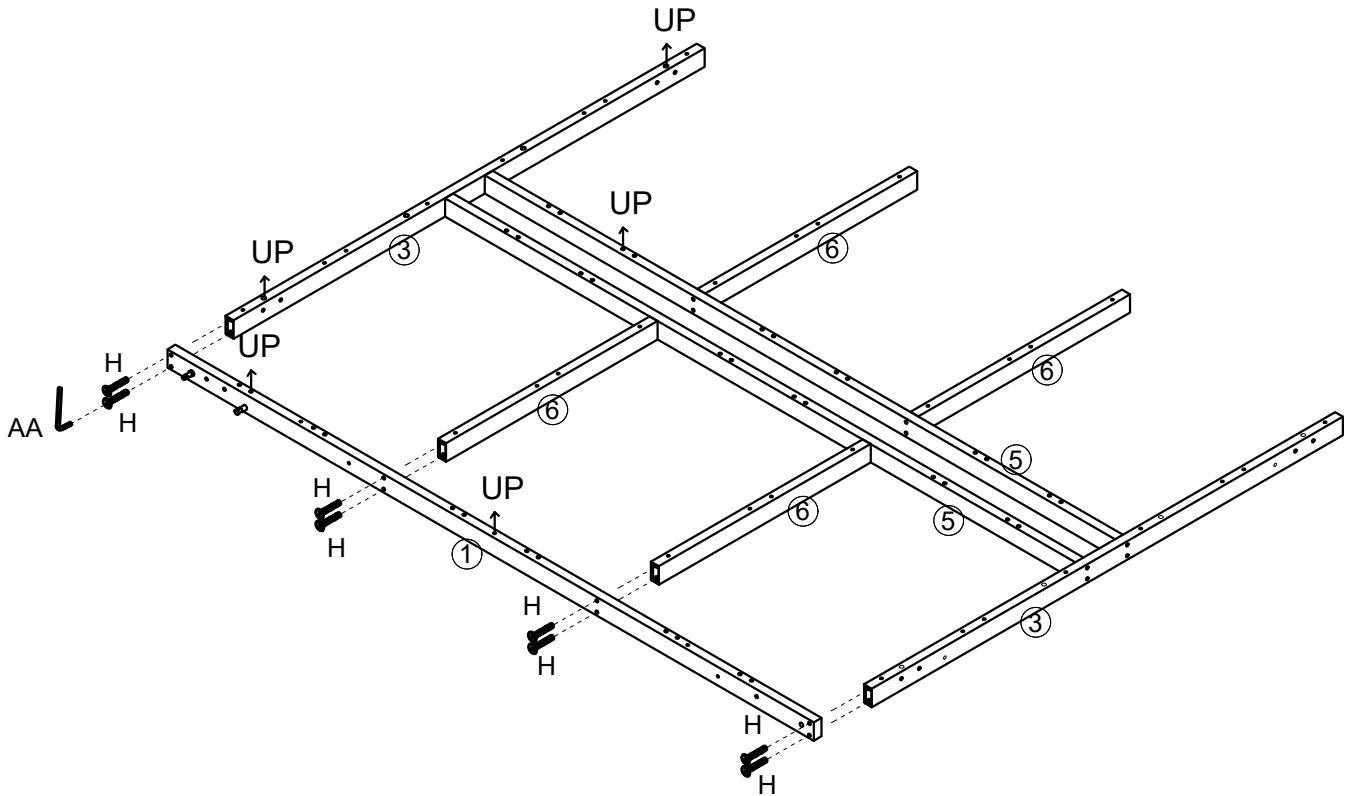
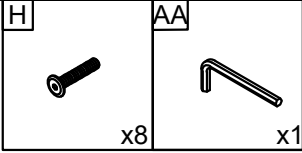


Note: These holes, small hole up, big hole down

Note: Here is the hole pitch

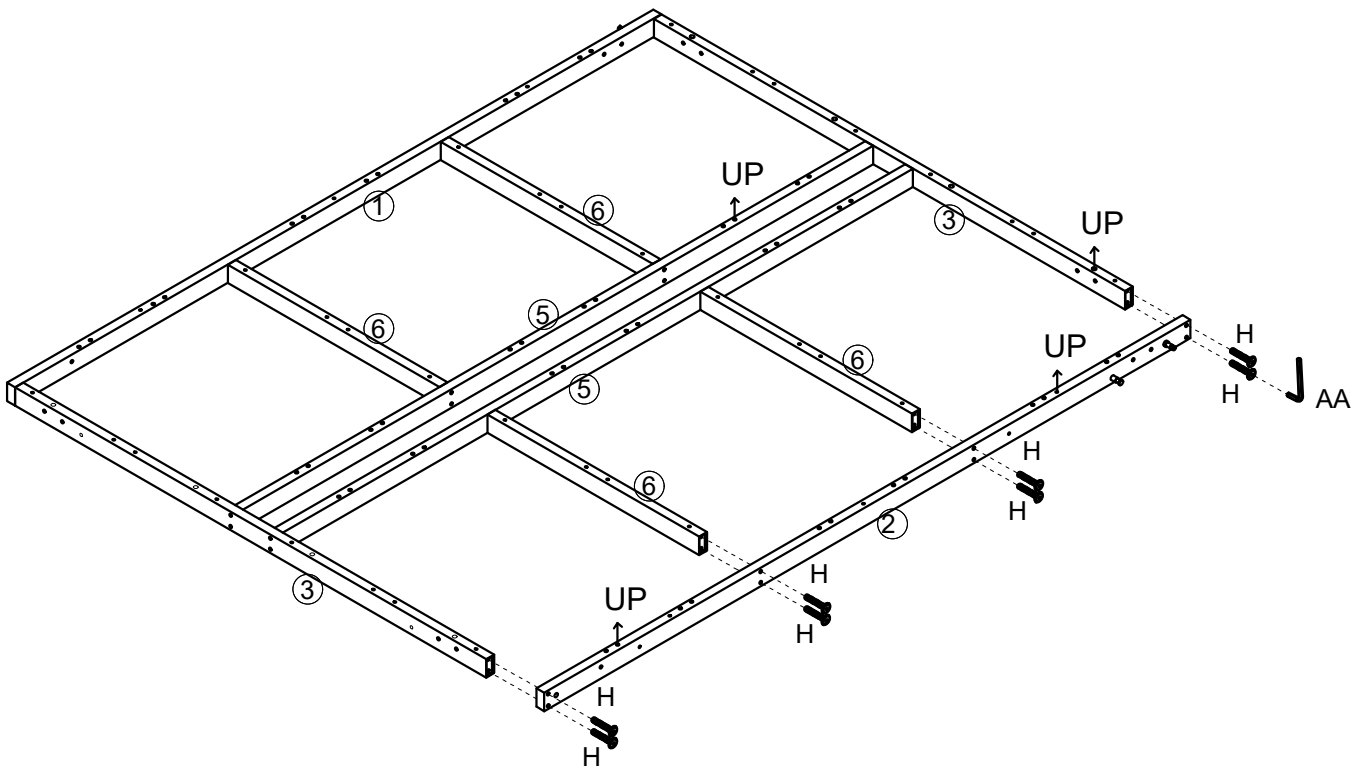
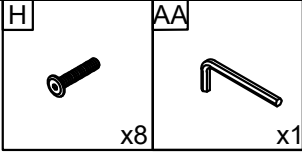
As shown in the figure, place the various parts. Assemble part 3, noting that the small hole is facing up.

# 14



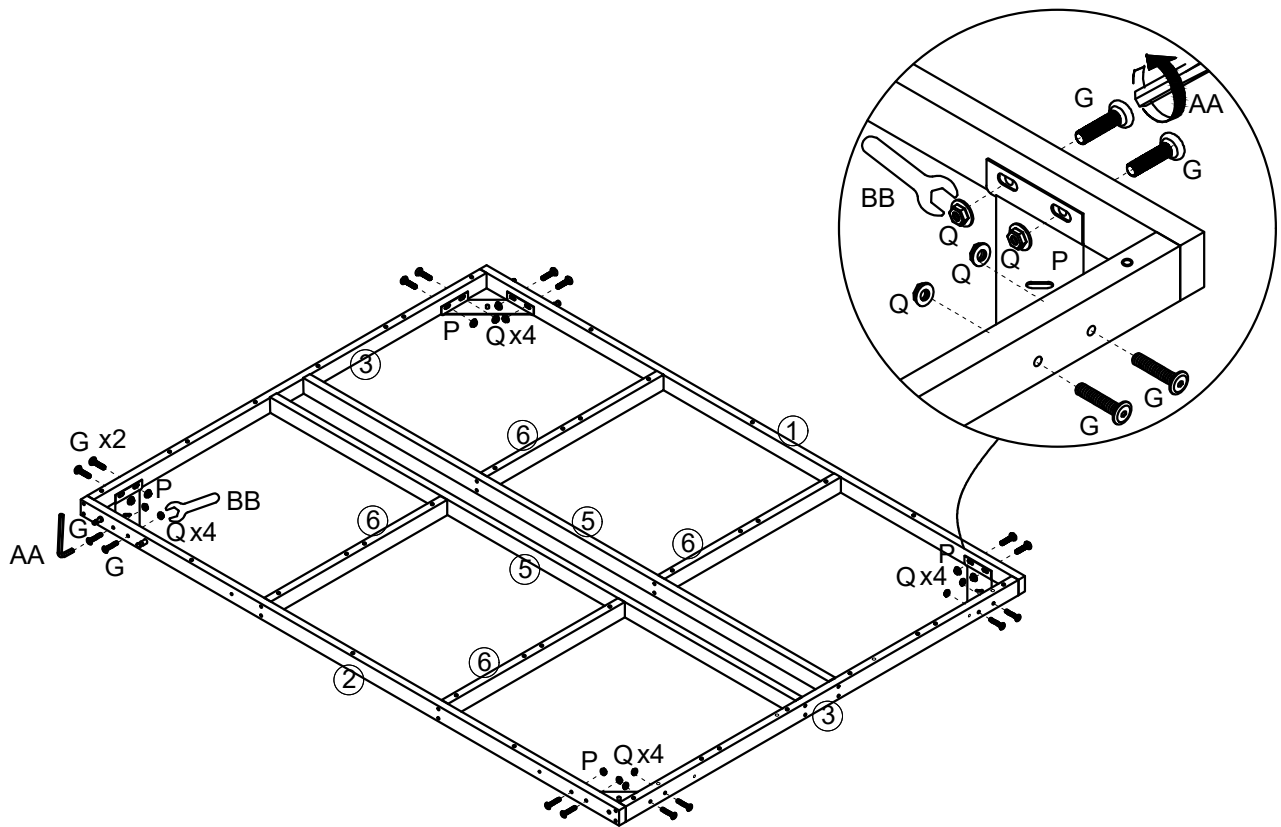
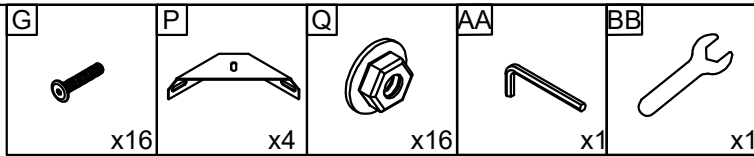
Install side part number 1, please note that according to the legend, place it consistently and then tighten the screws.

# 15



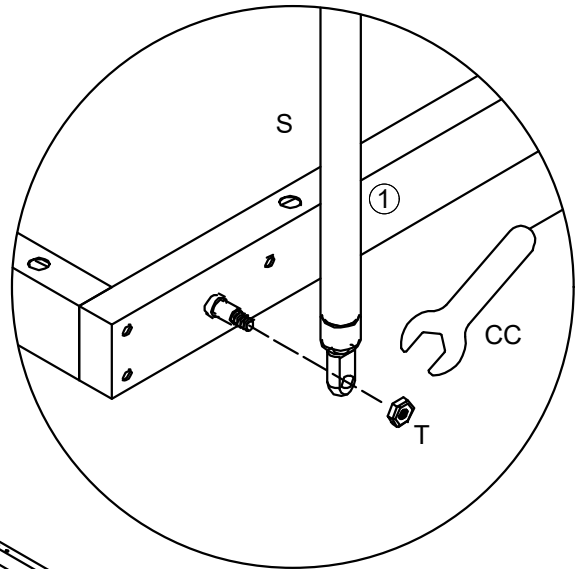
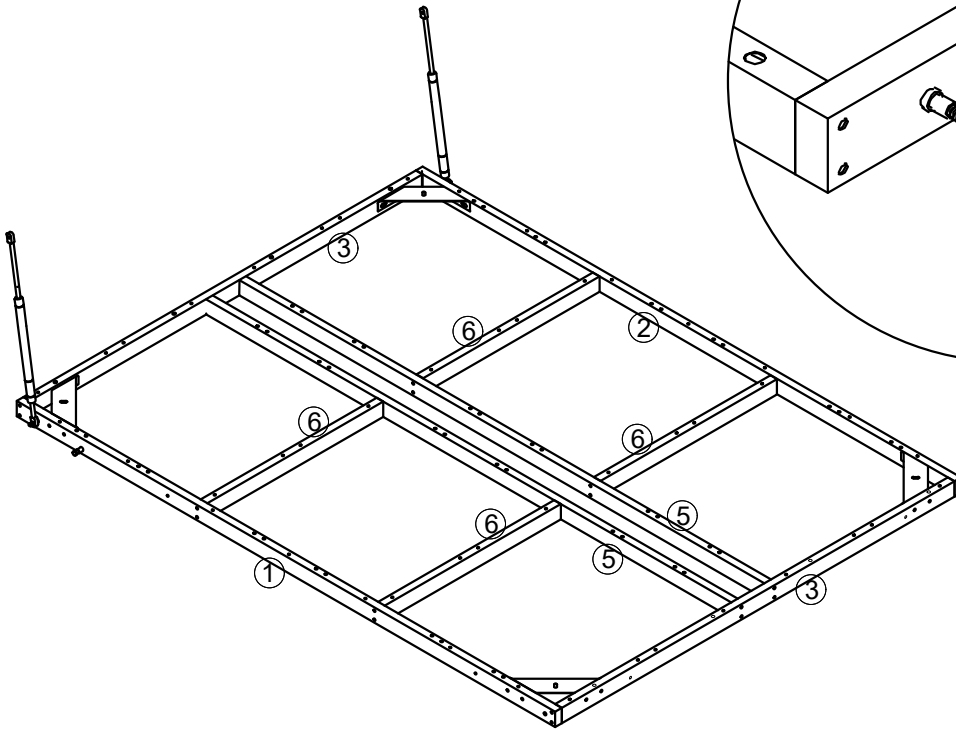
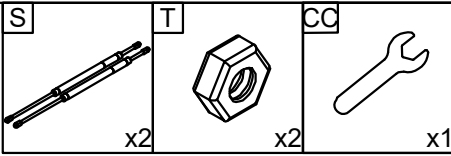
Install side part number 2, please note that the assembly should be placed consistently according to the legend.

# 16



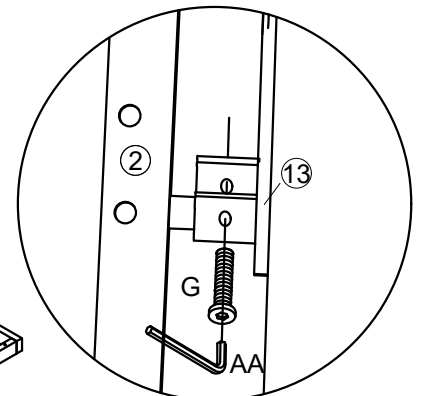
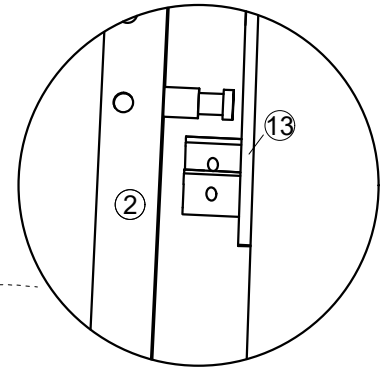
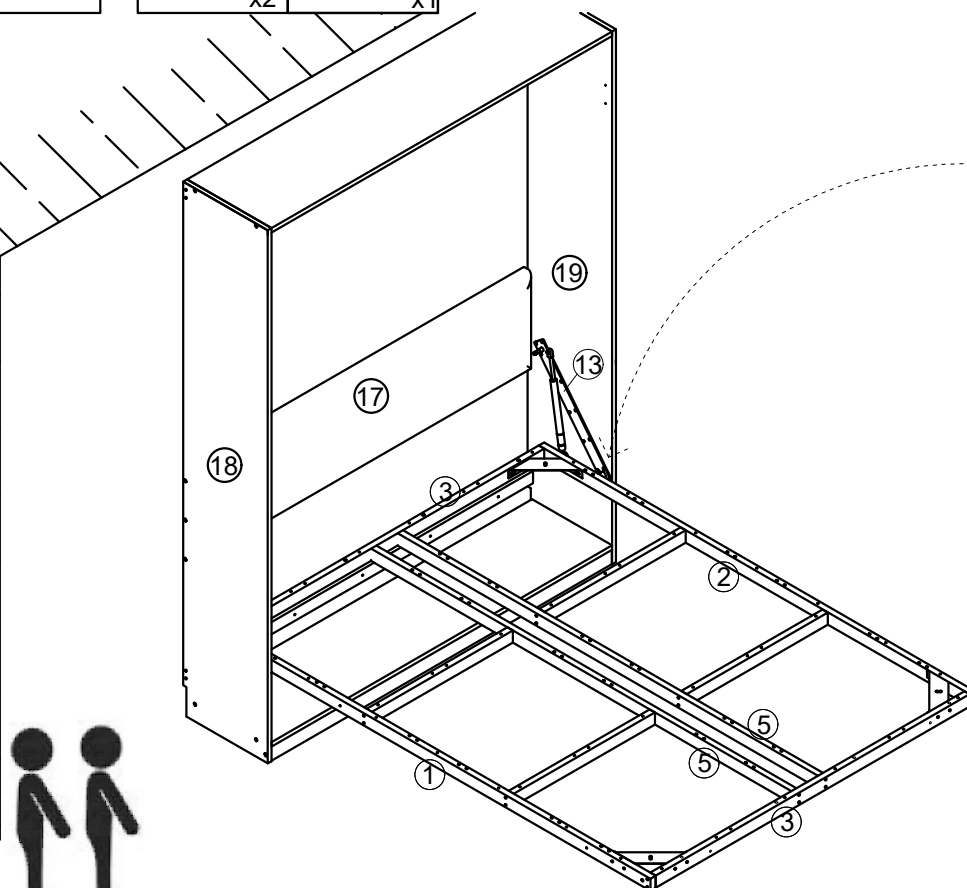
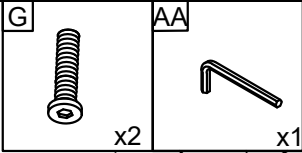
To facilitate the installation of the angle iron component ( P ) we choose to install the iron frame upside down.  
Please tighten the screws.  
After the installation is completed flip it back over to continue with the subsequent steps.

# 17



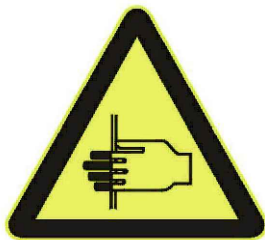
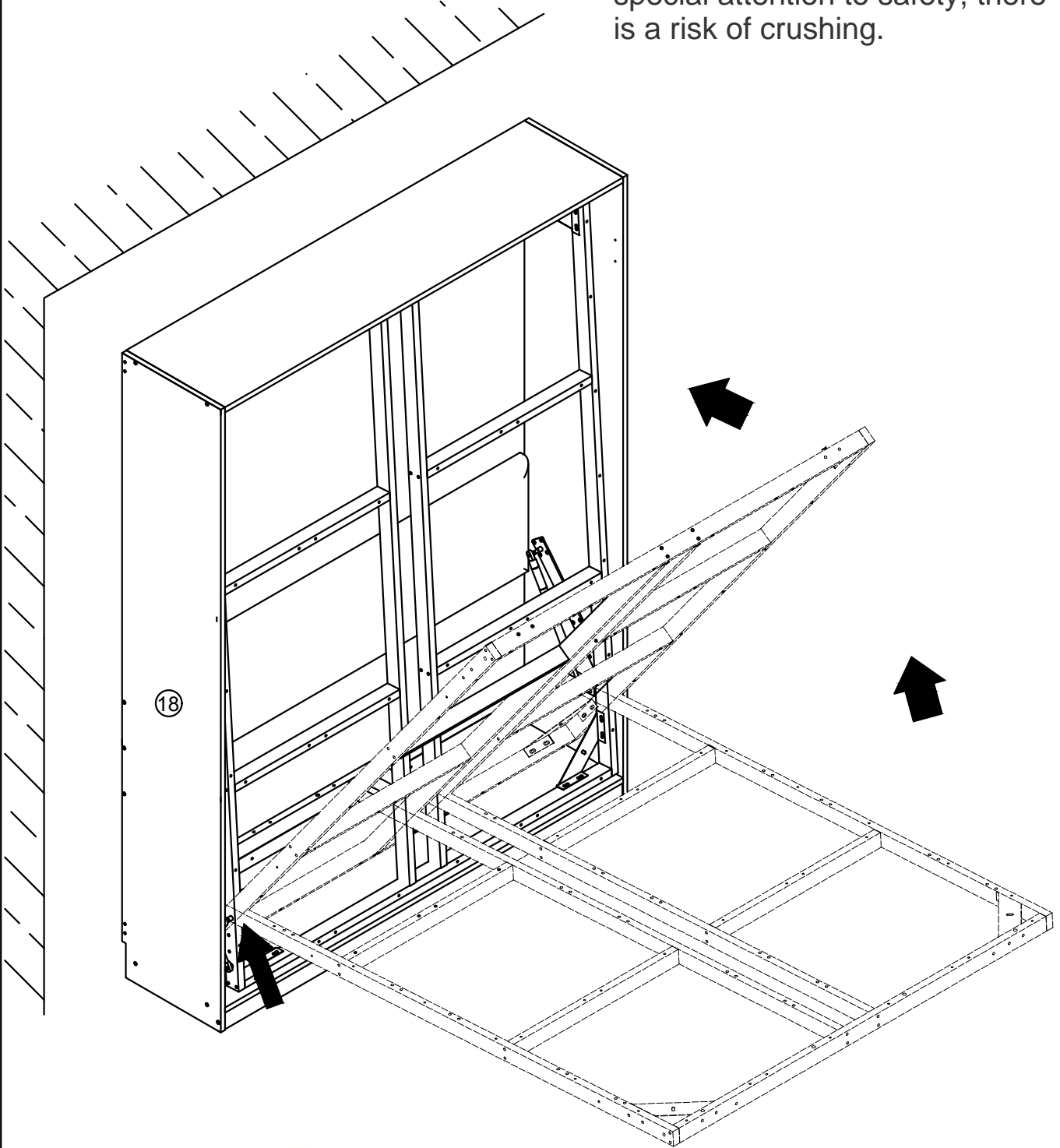
As shown in the figure:  
Install the hydraulic  
rod with the longer end  
facing upward. The  
anti-loosening screw is  
difficult to install;  
please install it  
patiently until it is fully  
seated.

# 18

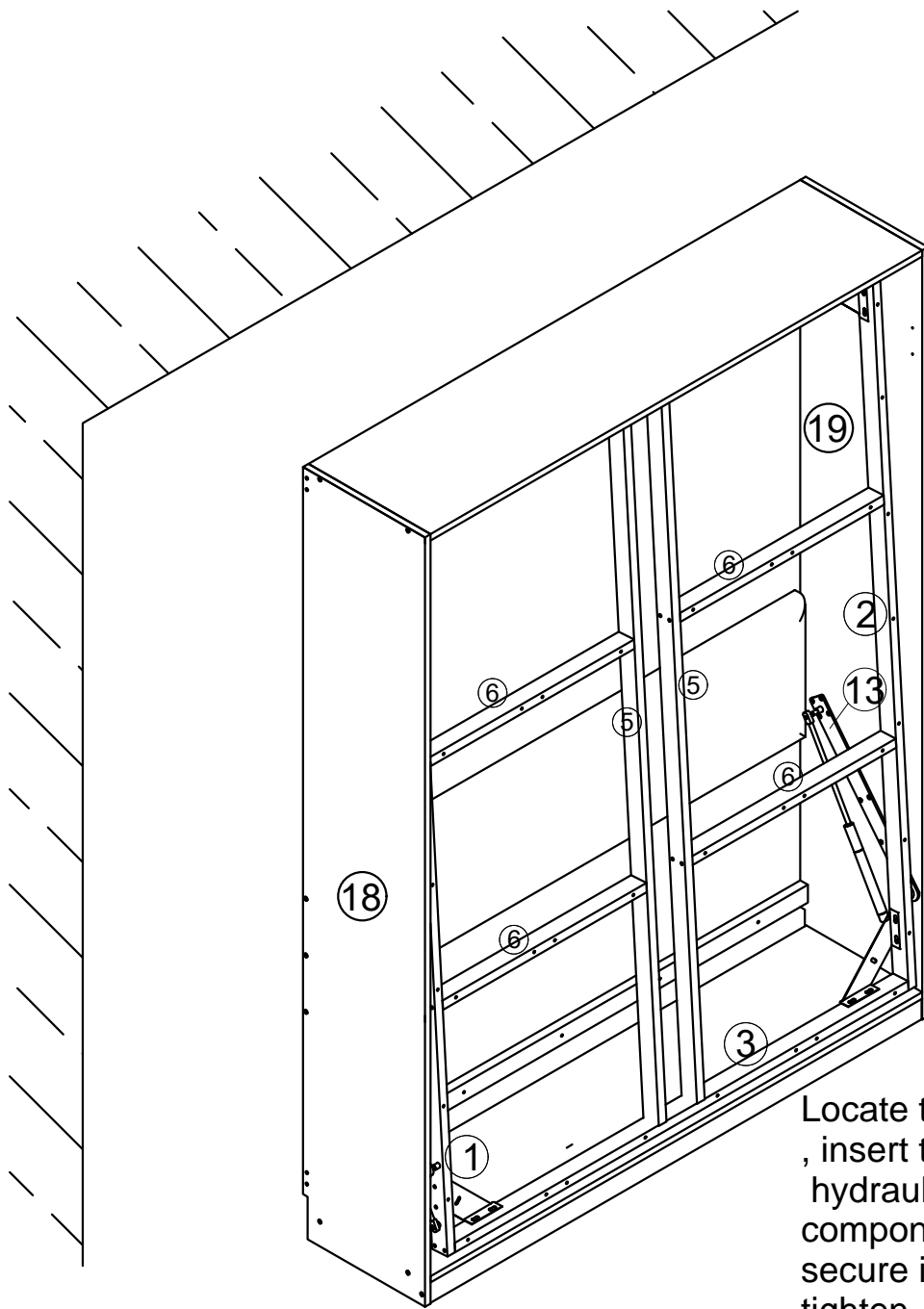
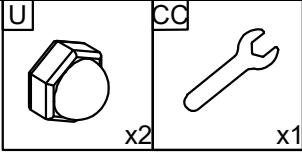


# 19

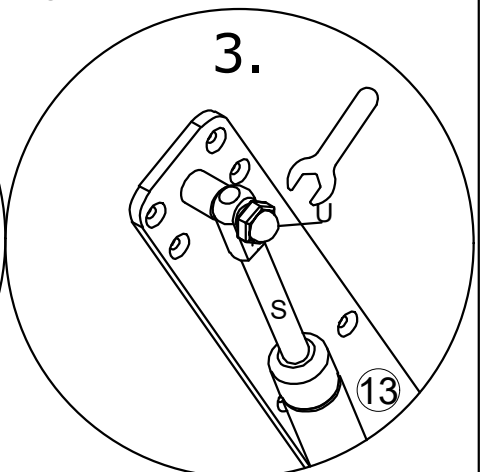
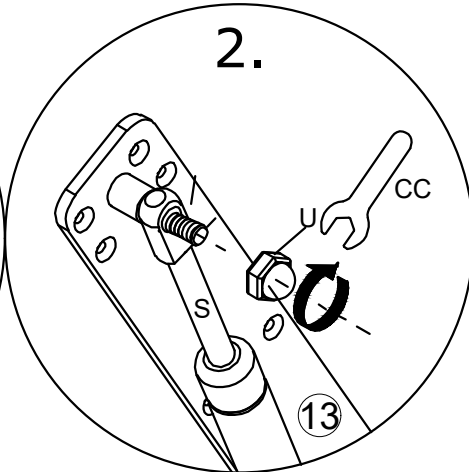
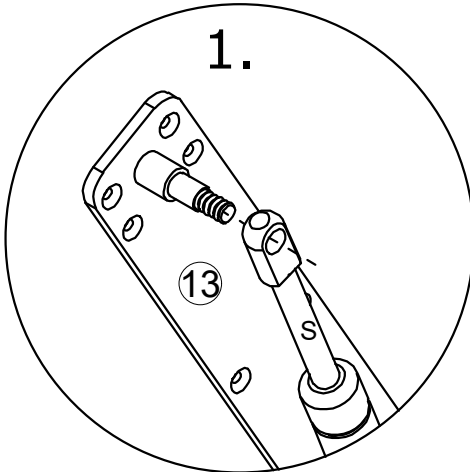
Lift the bed frame and place it inside the bed frame. Please pay special attention to safety, there is a risk of crushing.



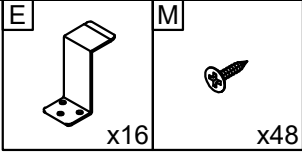
be careful not to pinch your hand.



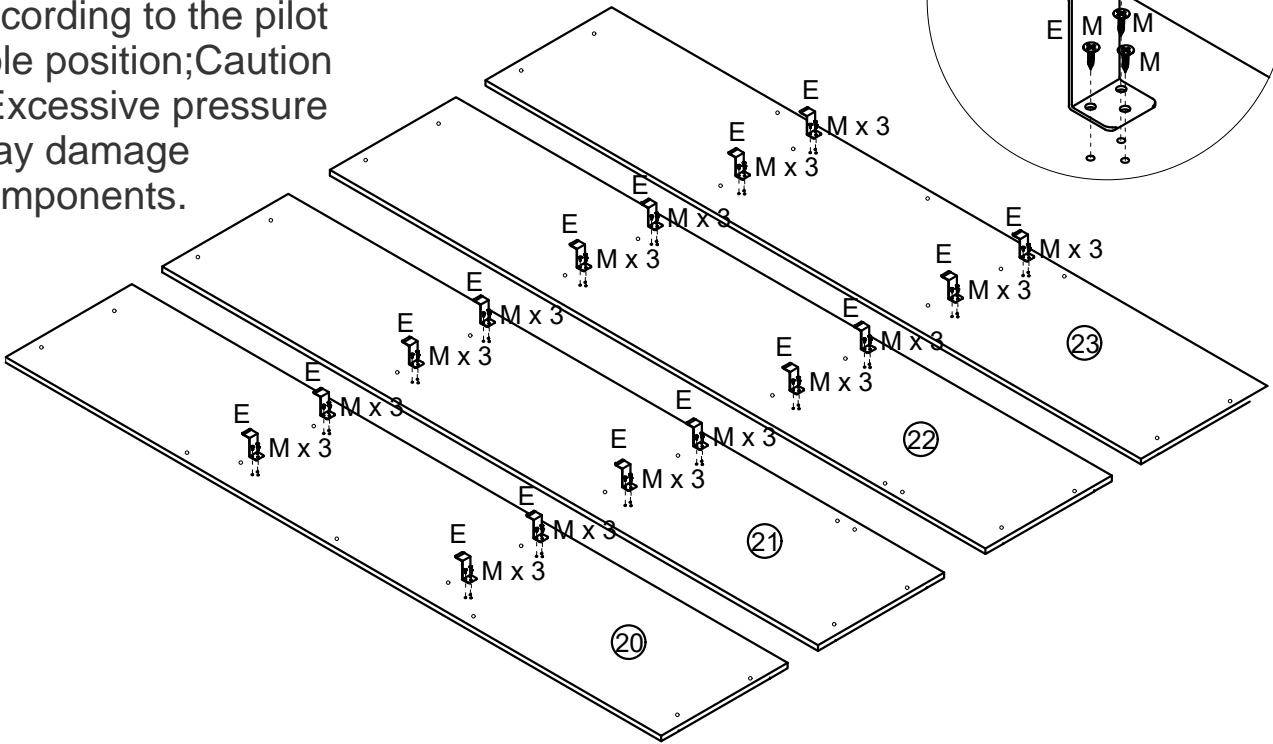
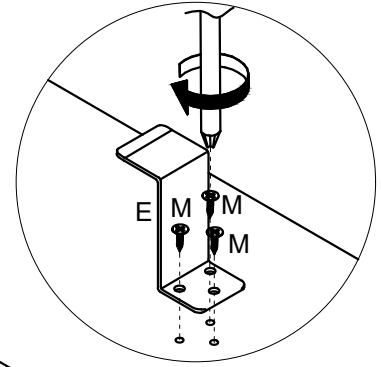
Locate the correct position , insert the front end of the hydraulic rod into component number 13, secure it with screws, and tighten.



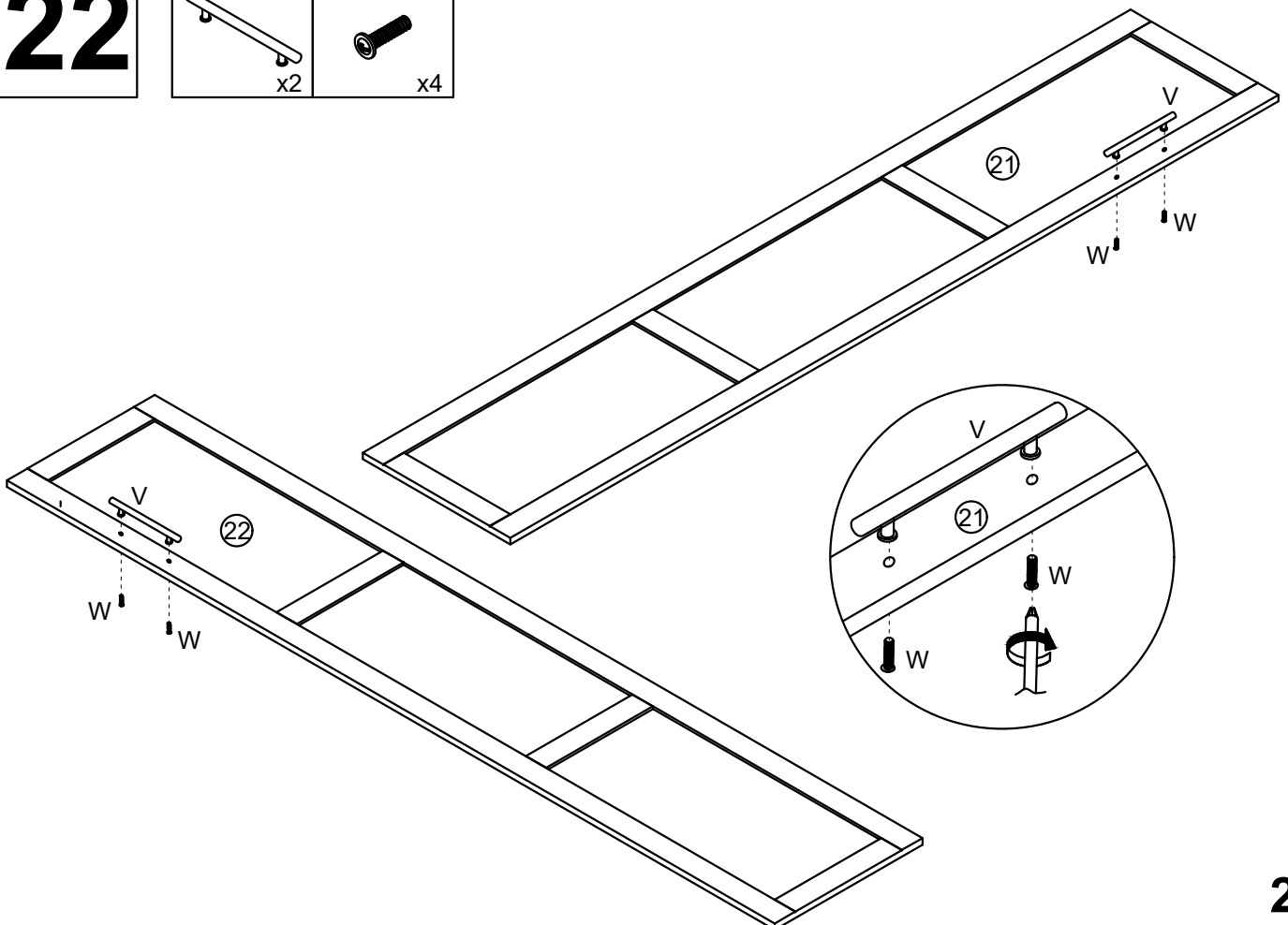
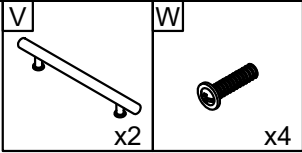
# 21

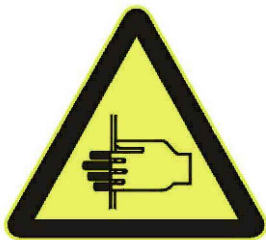
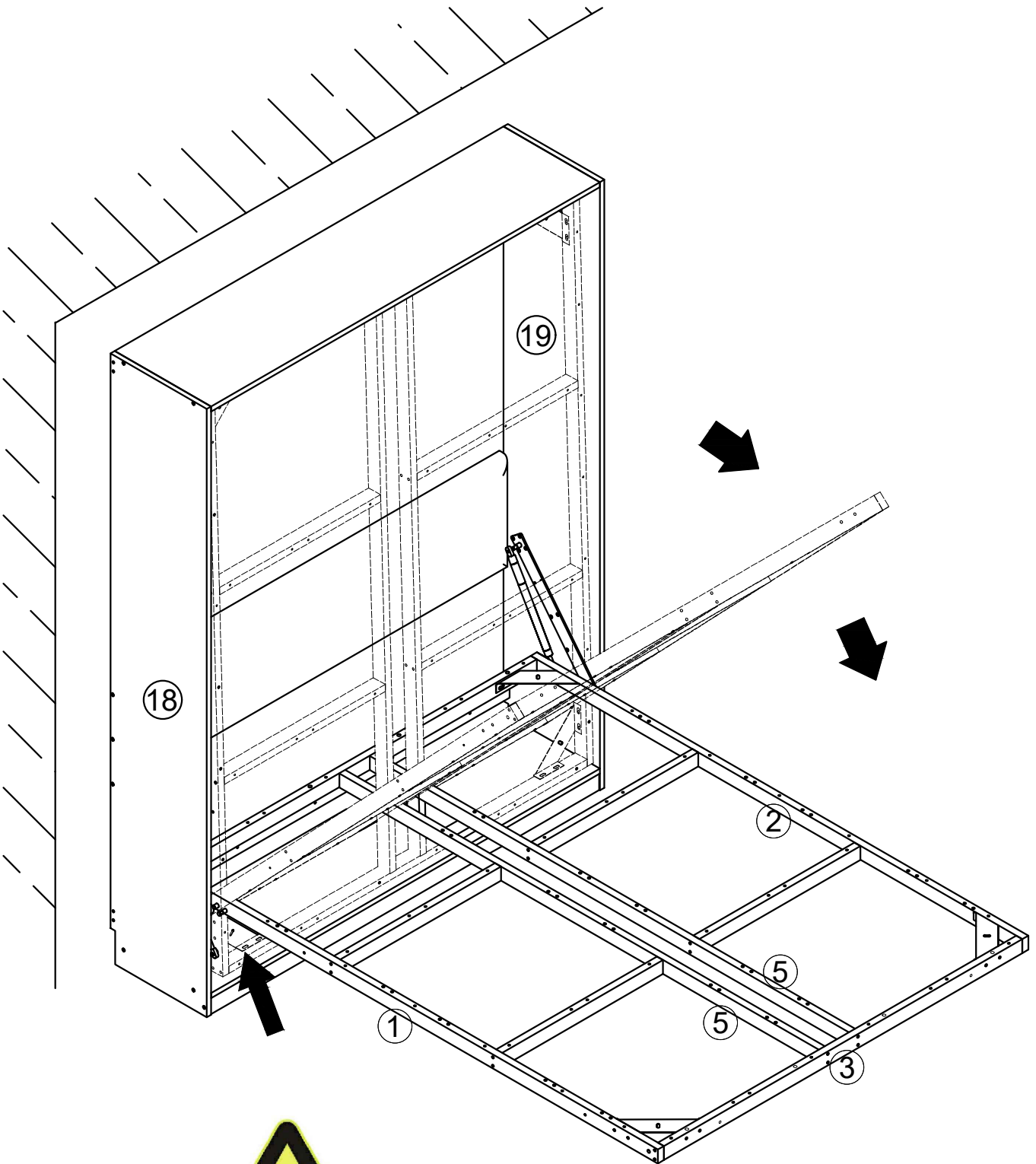


Install the hook according to the pilot hole position; Caution: Excessive pressure may damage components.



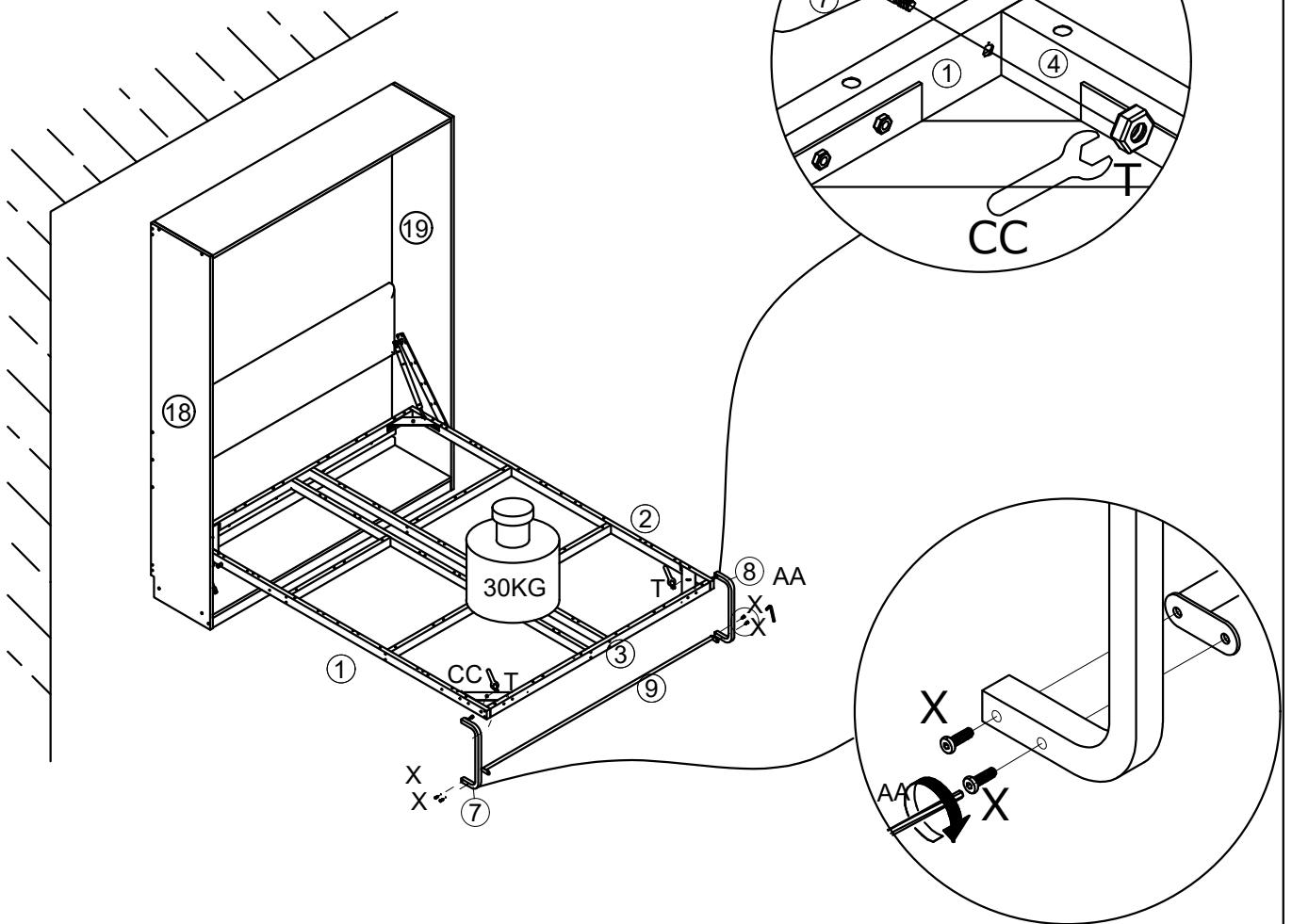
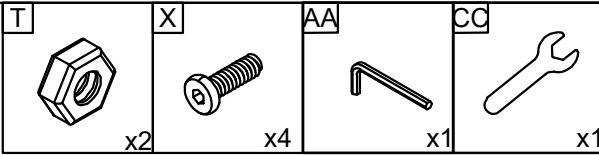
# 22





be careful not to pinch  
your hand.

# 24

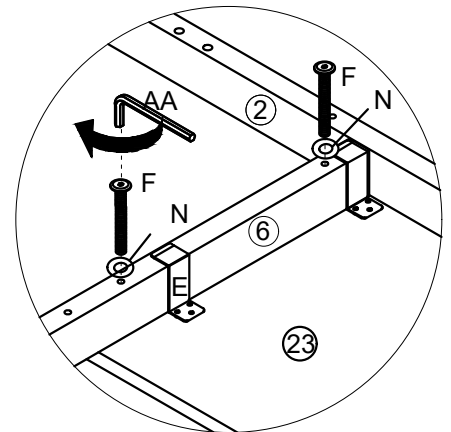
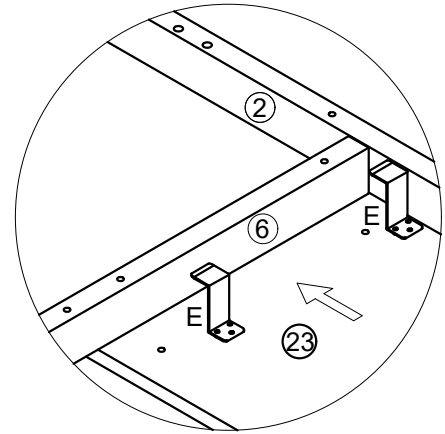
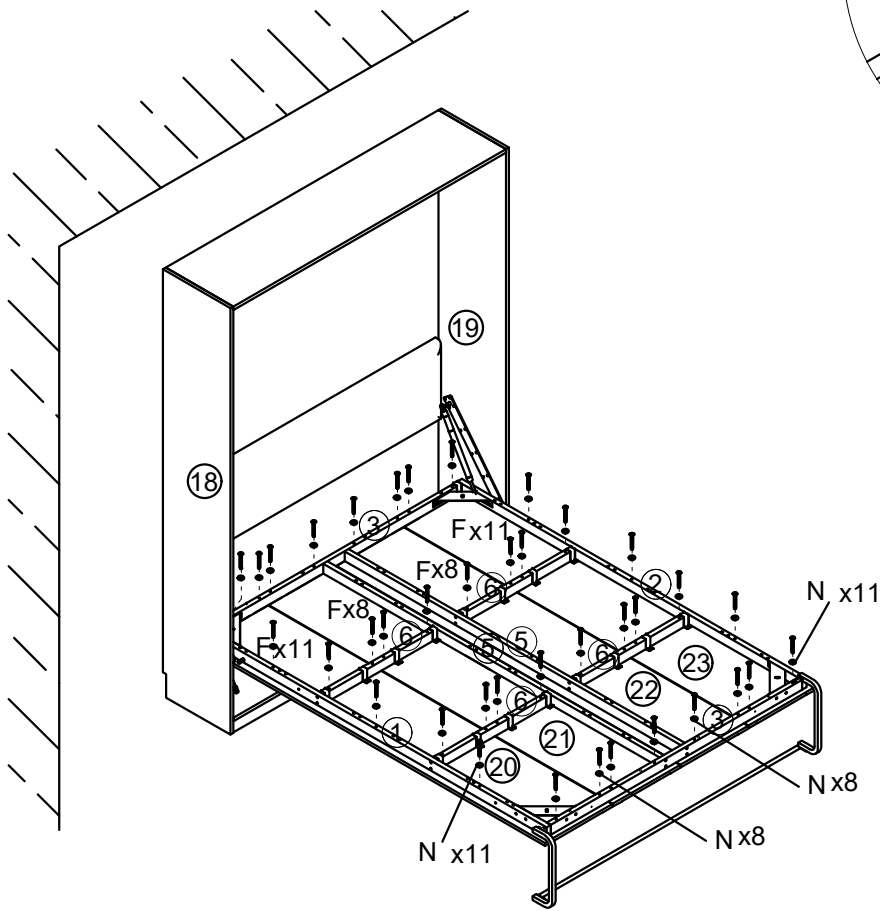
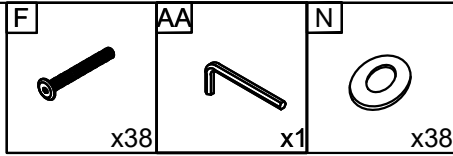


The next step requires cooperation from multiple people.

Since the door panel has not been installed and the mattress has not been placed, a minimum weight of 0KG is needed to press down on the bed frame. During the subsequent assembly process, one person needs to firmly press down on the bed frame.



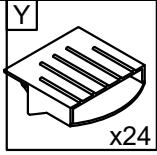
# 25



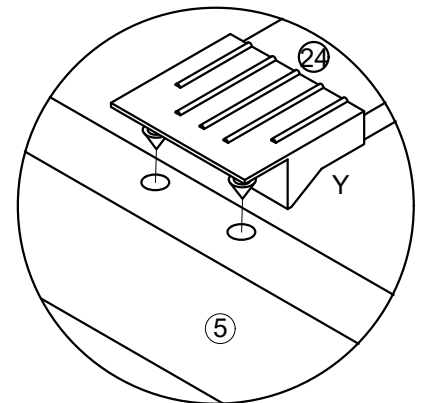
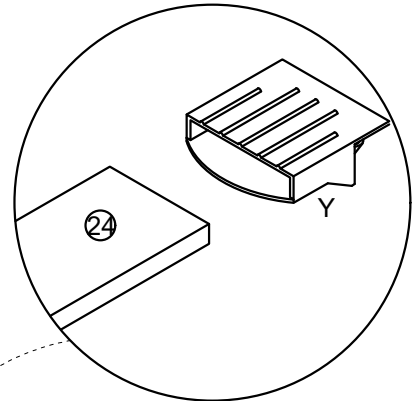
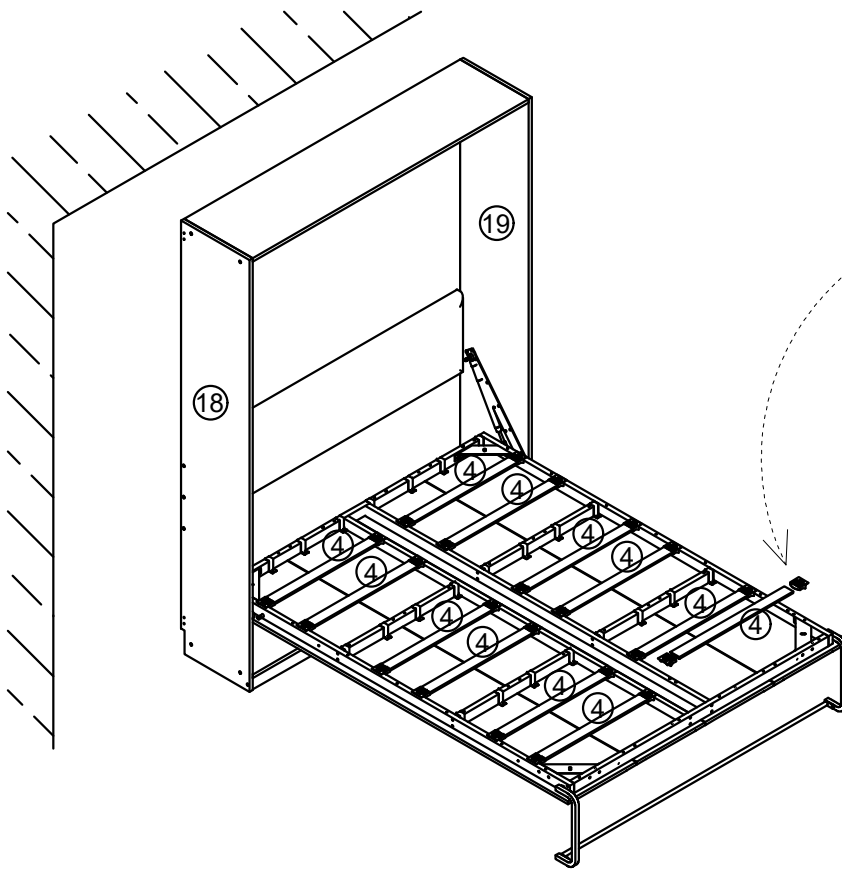
Cooperative work, steady pressure on the bed frame  
Install the door panel components, for easy installation,  
please choose to install 21.22 first then install 20.23  
During the installation process, we will not be able to see the  
position of the nut below. It takes more patience to get the position  
By this point, you are about to successfully install



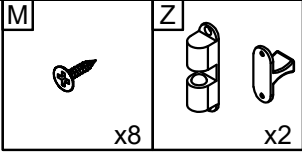
# 26



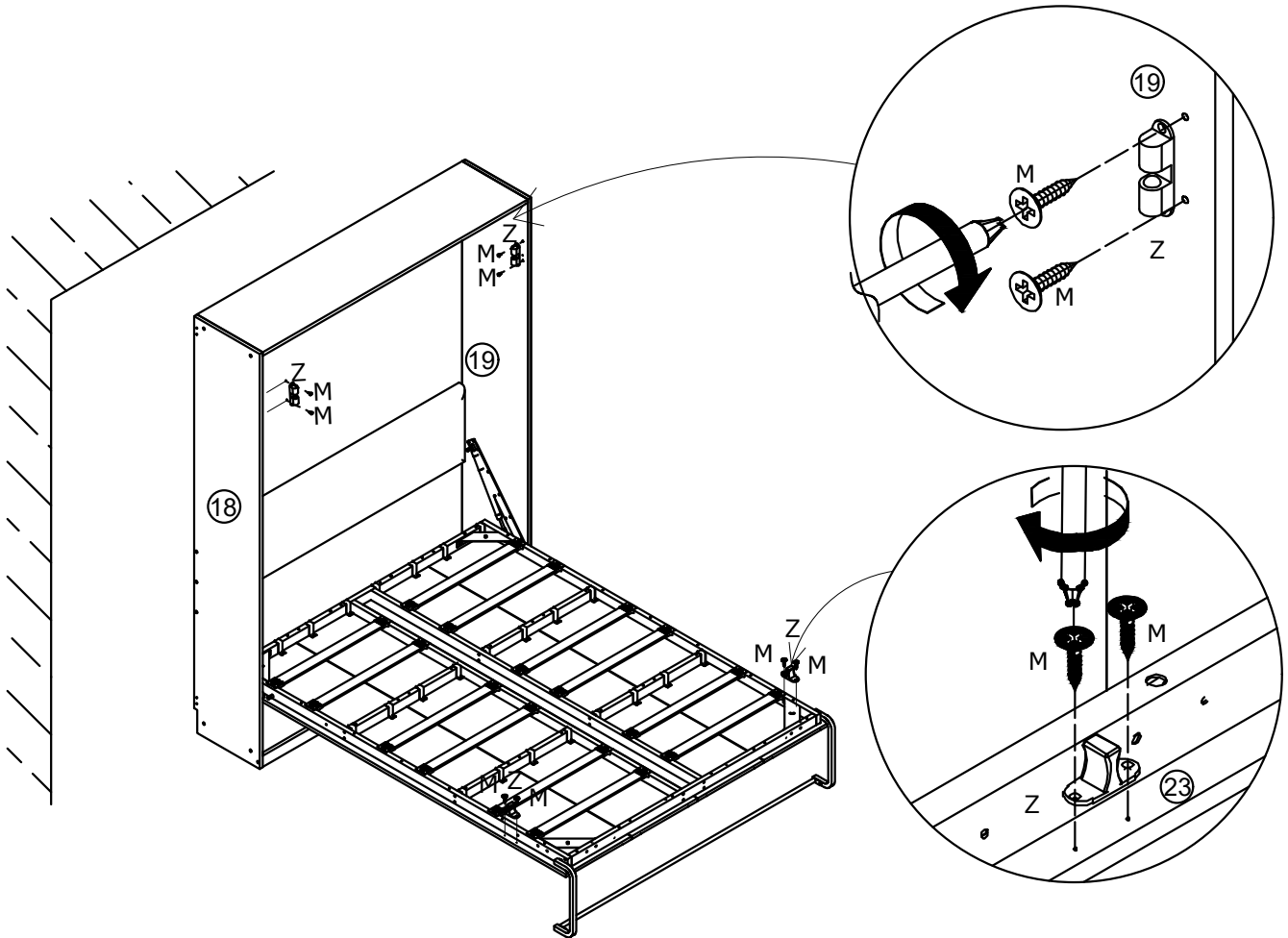
Multiple people working together, press down on the bed frame to install the mattress support



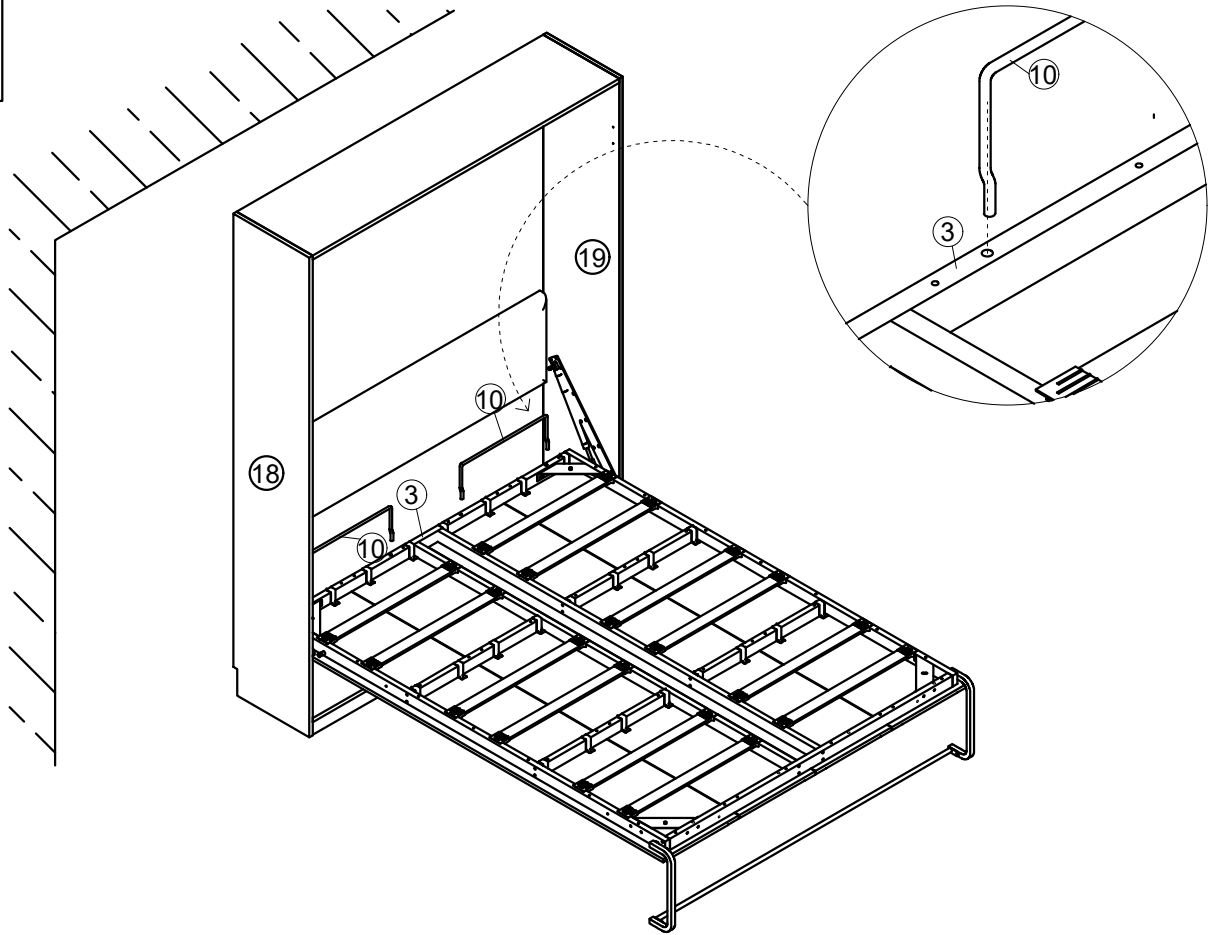
# 27



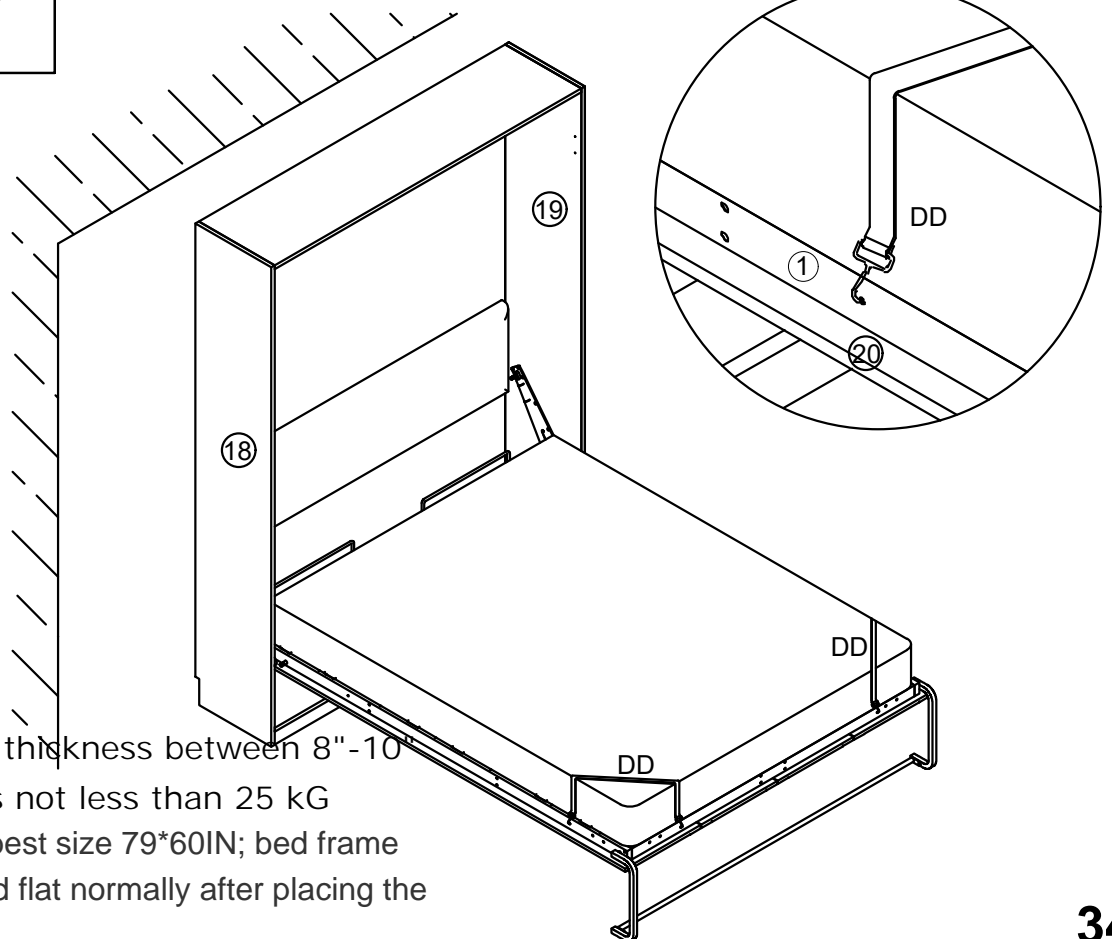
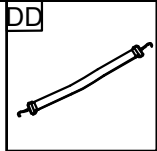
Multiple people working together, press down on the bed frame to install the limiter (Z).



# 28



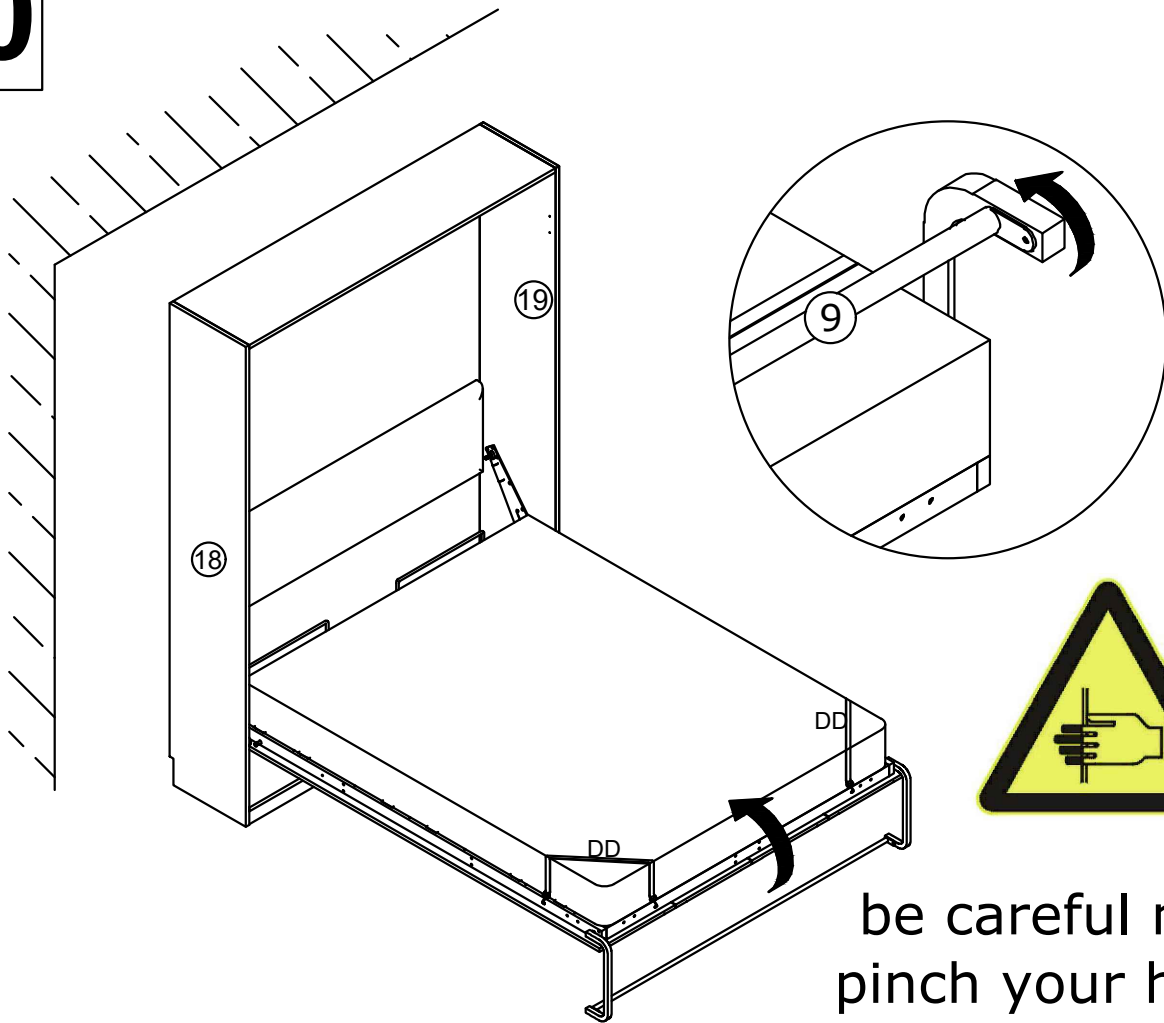
# 29



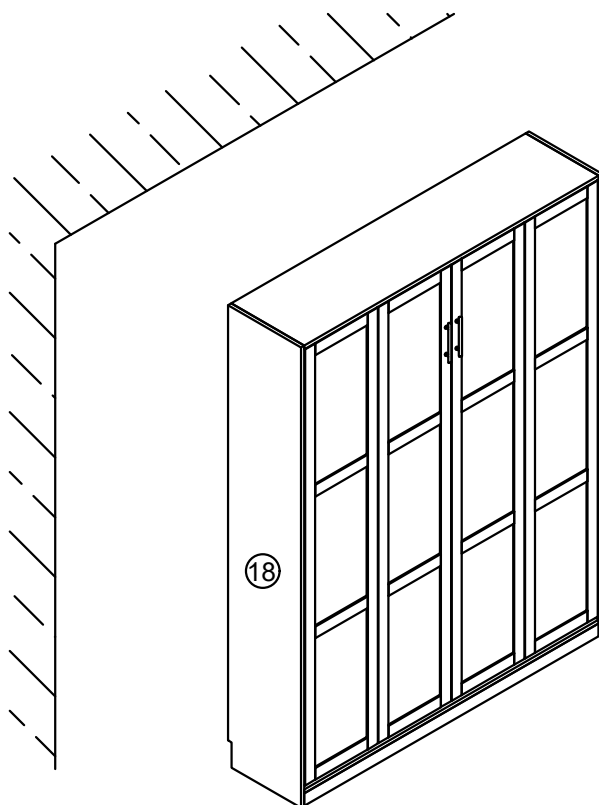
Mattress thickness between 8"-10"  
Weight is not less than 25 kG  
Mattress best size 79\*60IN; bed frame  
can be laid flat normally after placing the  
mattress



30



be careful not to  
pinch your hand.



# WARRANTY

## WARRANTY CLAIMS

- There is a 30-day warranty for broken furniture or any other problems that cause improper function. The warranty starts from the date of purchase and requires proof of purchase.
- The product must be used in accordance with the provided instructions.
- For other reasons, if the furniture needs to be returned, it must be cleaned, dried, and operated within 30 days of receipt.

## Type of Warranty Claim

- Failure to follow the furniture instructions will invalidate the warranty. Please note, the warranty does not cover damage during installation, but does cover damage incurred during transportation.

## Scope of Responsibility

- We are not responsible for misuse, user damage, or loss of parts during the installation of the furniture. Additionally, any damage or scratches incurred after use are not covered by the warranty.

## WARRANTY CLAIMS

- **The warranty for products purchased in the U.S. covers the following areas:**
- Sheet parts: 1 month from the date of purchase.
- Electrical parts: 1 month from the date of purchase.

## AFTER-SALES CONTACT



LLL-customer-service@outlook.com

# RETURNS

## Changed your mind and need to return your item?

Please follow the instructions below:

- If you have purchased the item and simply changed your mind, please follow the retailer's return instructions.

## DEFECTIVE ITEMS

- If your item is defective in any way, meaning it doesn't work but you cannot identify the cause, please first consult our FAQ section at [LLL-customer-service@outlook.com](mailto:LLL-customer-service@outlook.com), as there may be a simple solution to the issue.

## DAMAGED ITEMS

- If you receive an order with obvious shipping damage, we suggest refusing the delivery. If the delivery has already been accepted and you later find shipping damage, please follow the specific instructions provided by the retailer.
- In all cases, please keep all packaging materials and paperwork related to the order.
- Please be aware that if you dispose of packaging materials or attempt to return the item without contacting the retailer, you may risk losing your chance to file a claim, and you may not receive credit for the return.

## AFTER-SALES CONTACT



[LLL-customer-service@outlook.com](mailto:LLL-customer-service@outlook.com)

