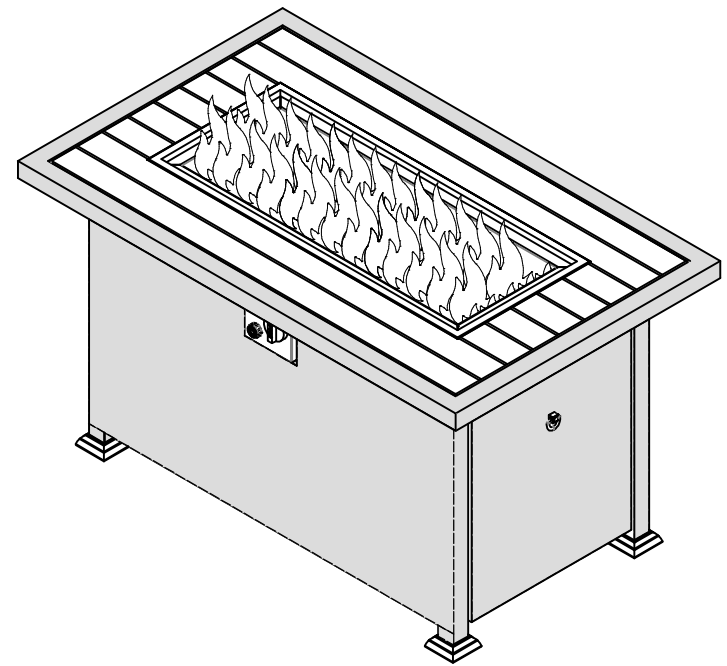


FIRE PIT TABLE

ASSEMBLY INSTRUCTIONS



WARRANTY

So glad you have completed the assembly and can enjoy it. If you are satisfied with our products, thank you for showing your favored fire pit table to your around.

Our products come with a 12-month warranty, you can feel free to contact us at any time.

Methods :

If you choose Amazon, going to your Amazon order detail page, Order>sold by>contact seller
(guaranteed response within 24 hours)

AFTER-SALE POLICY

For return reason:

Wrong purchase, bought by mistake, no longer needed, doesn't meet expectation, a size smaller than expectation, customer need to cover the return shipping fee.

For cancel order:

Customer needs to pay for shipping fee and carrier handle fee if the item has been shipped out.

For change address: customer needs to pay for extra shipping fee and carrier handle fee if the item has been shipped out.

Customer Service:

Any problem with the product or shipping issue, please feel free to contact us, we will try our best to serve and help.

ATTENTION

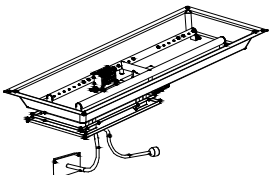
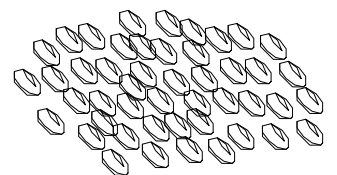
Thanks for choosing our product.

- 1. Please check the manual carefully and make sure you have received all the parts.**
- 2. If there is any missing parts, please let us know the letter of the parts you need.**
- 3. If there is any damage parts, please send clear photos to us, we will check and offer you best solution soon.**
- 4. There will be 2 boxes in total for this whole product. If you buy a style with Glass Wind Guard, then you will receive 3 boxes.**

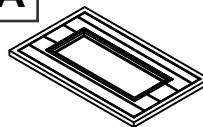
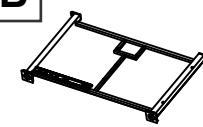
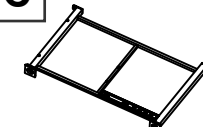
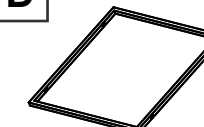
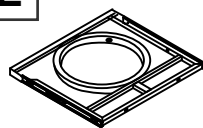
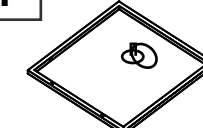
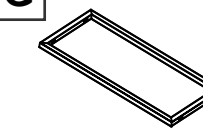
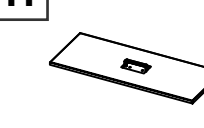
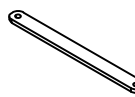

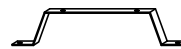
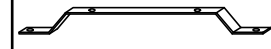
Sometimes these boxes will not arrive in same date, hope you can wait for 2-3 more days or contact us for more help.

Assembly Instruction

Parts List Box A


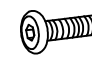
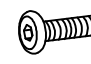
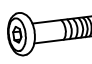
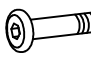
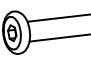


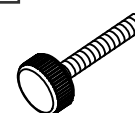
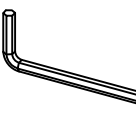
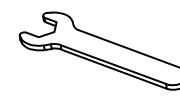
X  Burner 1 pc	Y  Glass Fire Stone 1 pc
---	--

Parts List Box B

A  Table Top 1 pc	B  Left Side Piece 1 pc	C  Right Side Piece 1 pc	D  Back Side Piece 1 pc
E  Gas Tank Holder 1 pc	F  Door Panel 1 pc	G  Fixed Frame 1 pc	H  Stove Cover 1 pc
I  Connector 2 pcs	J  Universal Wheel 1 pc	K  Burner Support Frame 1 pc	L  Burner Support Frame 1 pc

Assembly Instruction

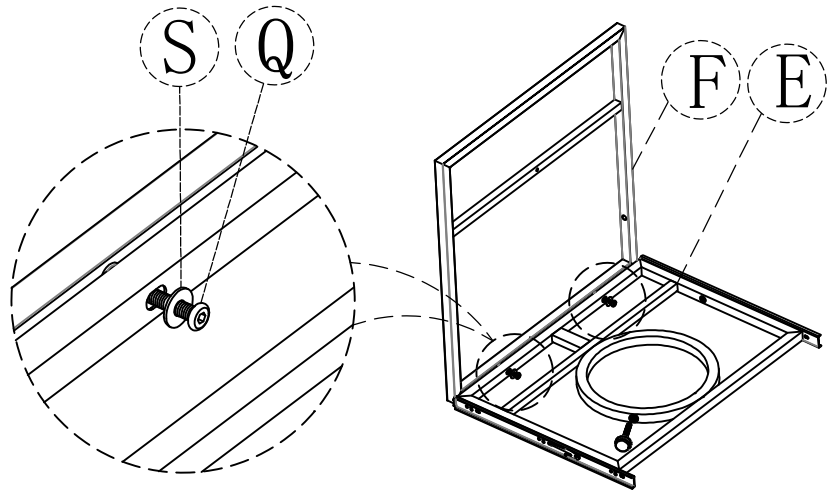
Parts List Box B

M  M6*10mm Bolt(Black) 4 pcs	N  M6*15mm Bolt(Sliver) 12 pcs	O  M6*25mm Bolt(Sliver) 2 pcs	P  M6*30mm Bolt(Black) 4 pcs
Q  M6*35mm Bolt(Black) 6 pcs	R  M6*65mm Bolt(Sliver) 2 pcs	S  M6 Steel Washer 26 pcs	T  M6 Bolt cap 4 pcs
U  M8*55 Bolt 1 pc	V  M6 Allen Key 1 pc	W  M8 Wrench 1 pc	

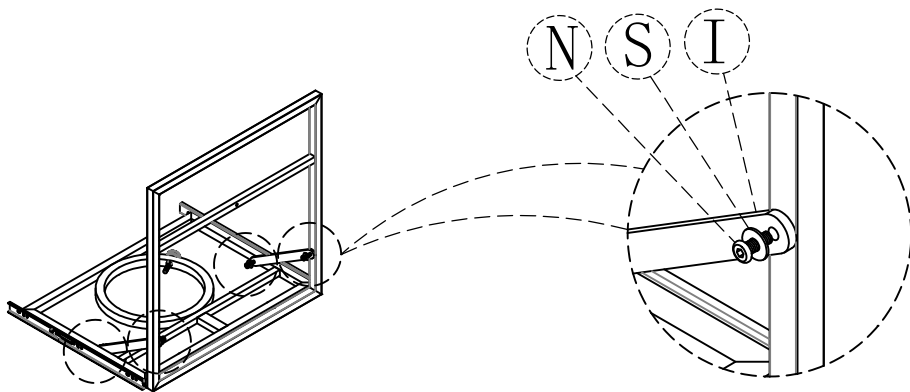
You will receive totally 2 boxes, please make sure you get 1x A_box and 1x B_box before assembly. If you buy a style with Glass Wind Guard, then you will receive 3 boxes. 1x A_box, 1x B_box and a box with a separate Glass Wind Guard before assembly. Just feel free to chat us if you have any problems, we will try our best to help you solve the issue.

Assembly Instruction

Step 1



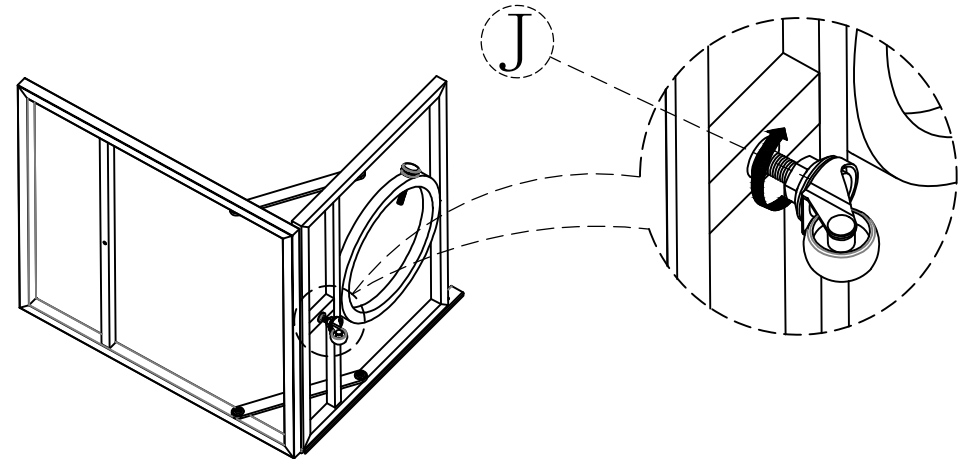
Step 2



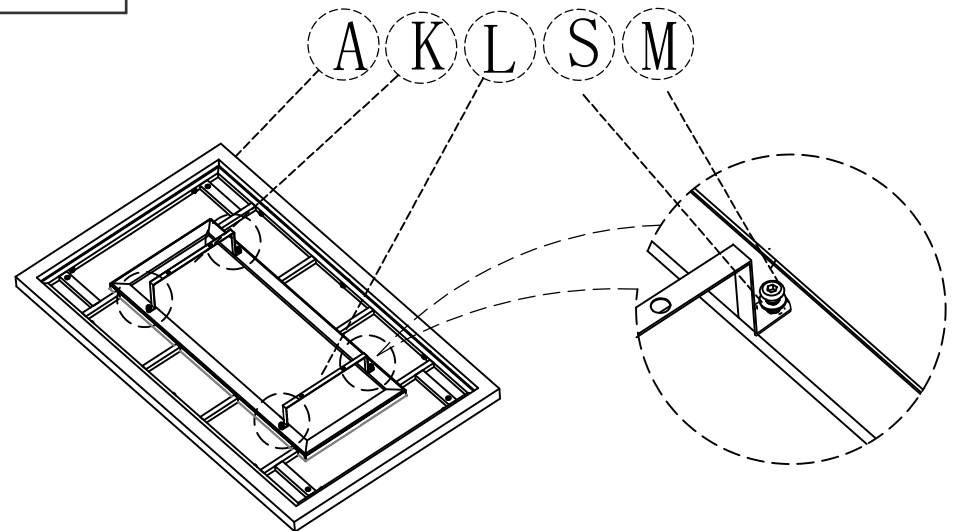
3

Assembly Instruction

Step 3



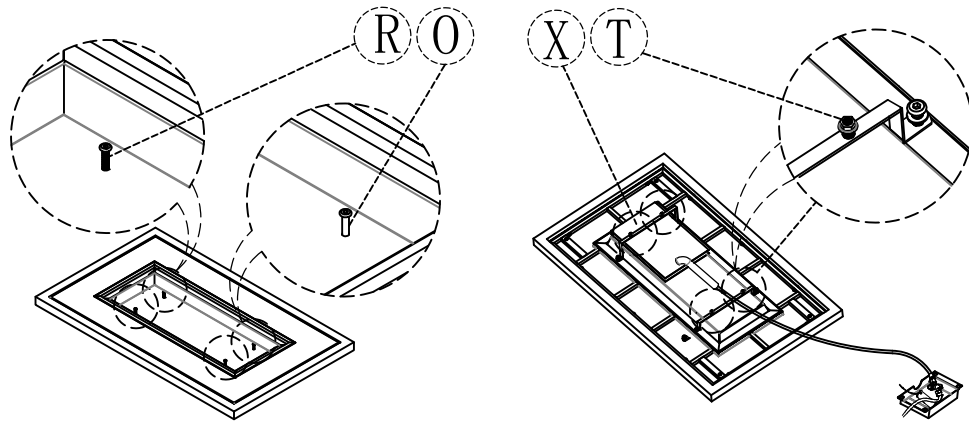
Step 4



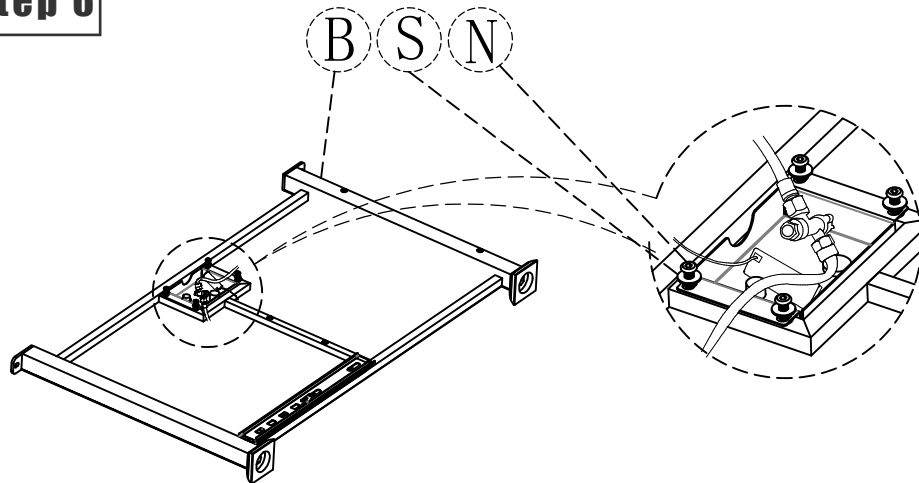
4

Assembly Instruction

Step 5



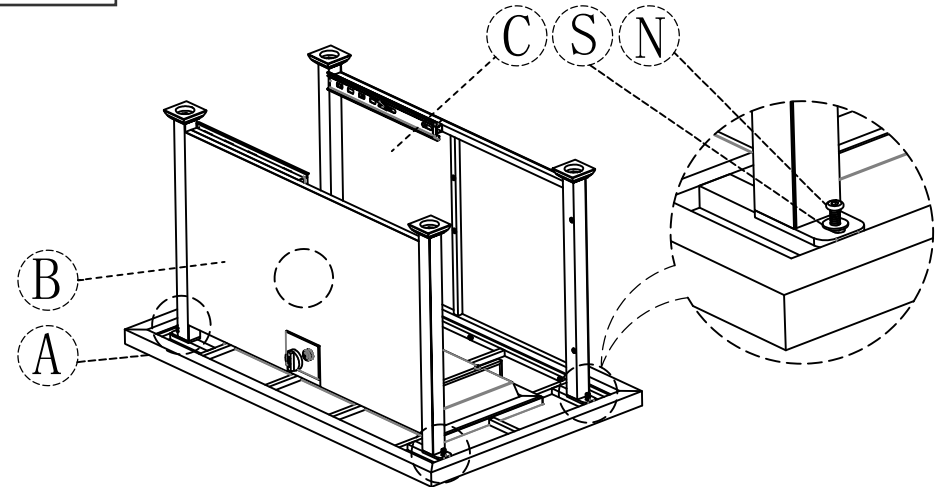
Step 6



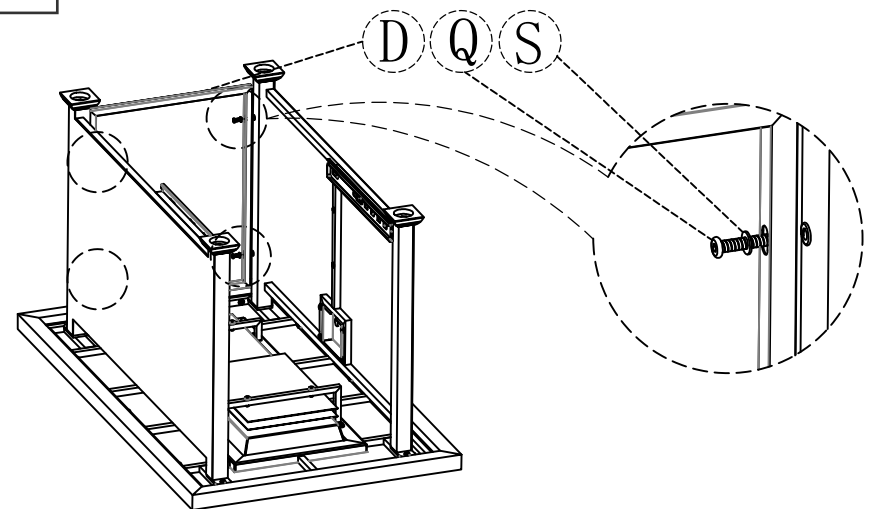
Note: that the installation direction of the panel is the fire power adjustment knob facing upwards.

Assembly Instruction

Step 7

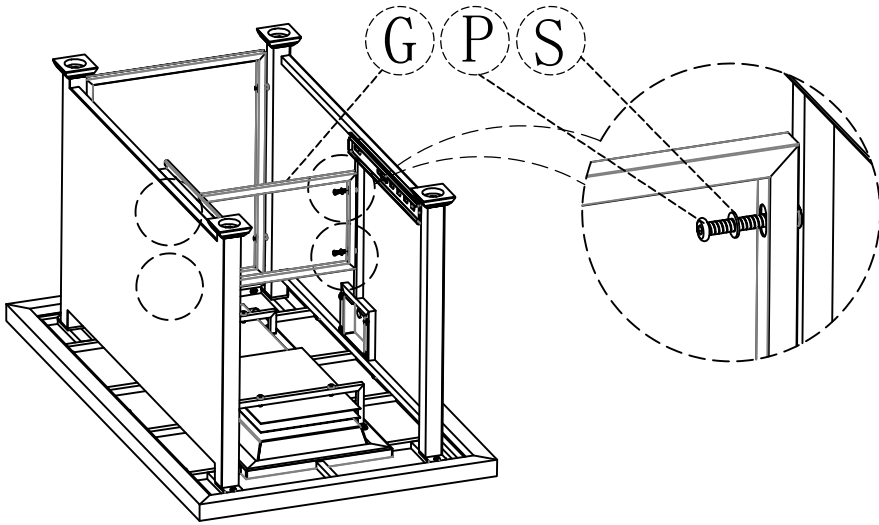


Step 8

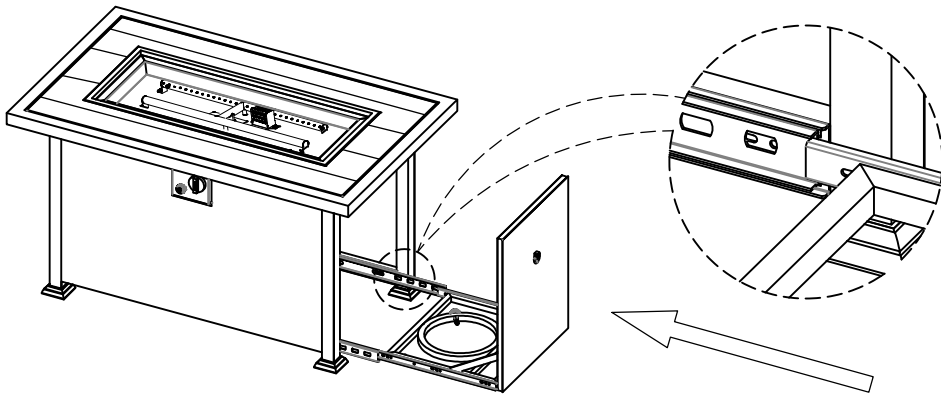


Assembly Instruction

Step 9



Step 10



Assembly Instruction

Step 11

