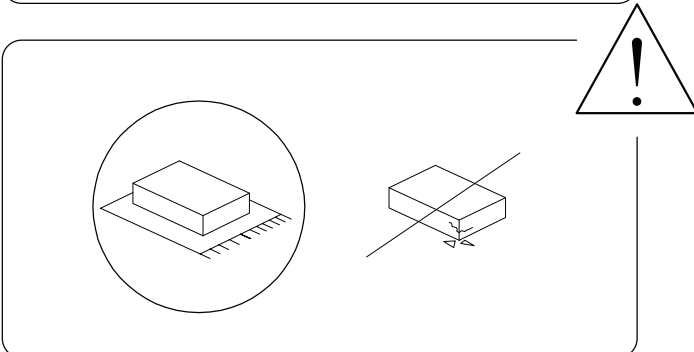
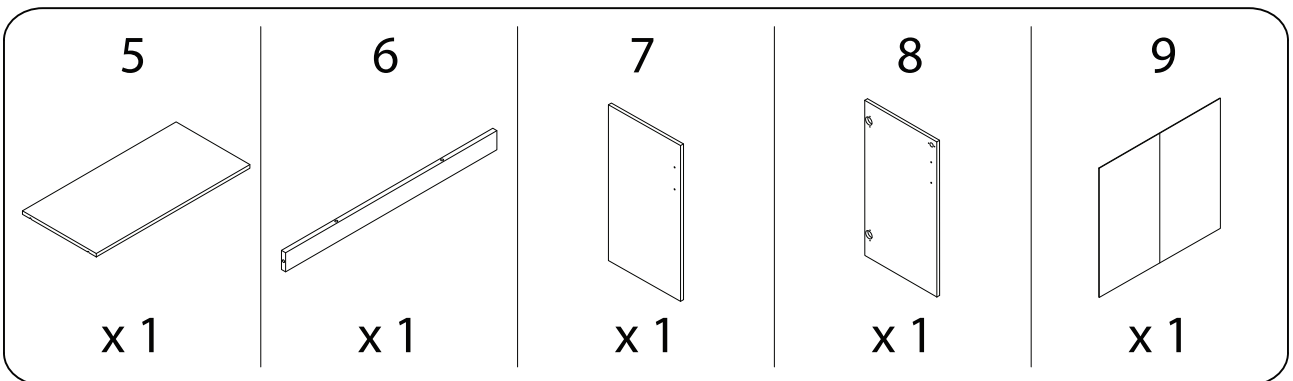
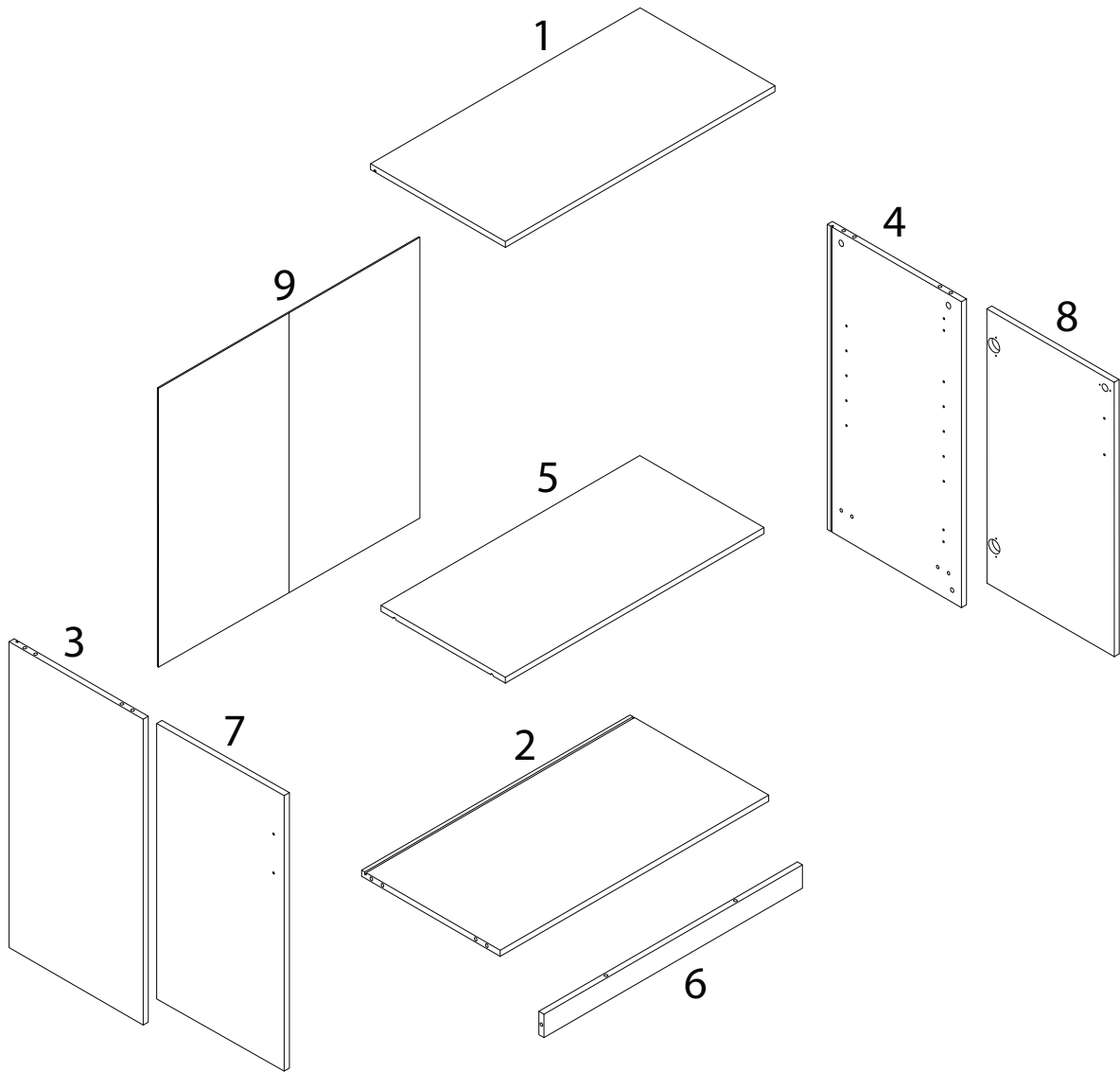
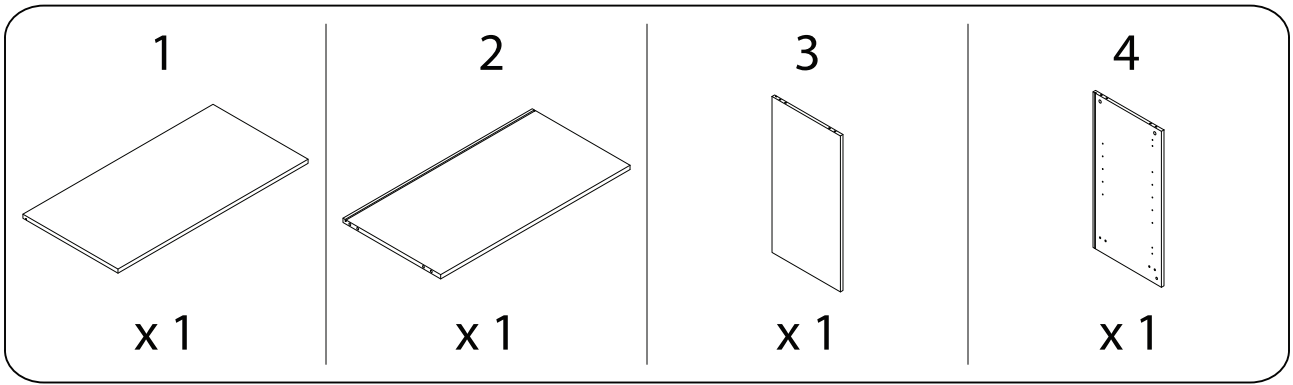


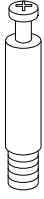
45'



2

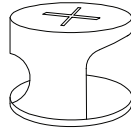


A



x 12

B



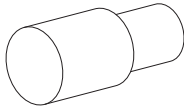
x 12

C



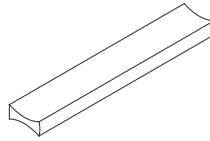
x 8

D



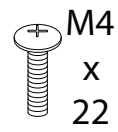
x 4

E



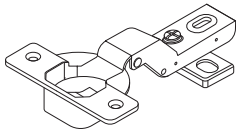
x 2

F



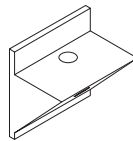
x 4

G



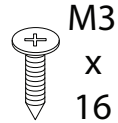
x 4

H1



x 6

H2



x 6

I1



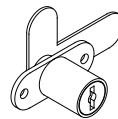
x 1

I2



x 1

I3



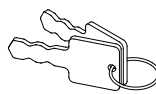
x 1

I4



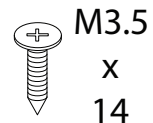
x 1

I5



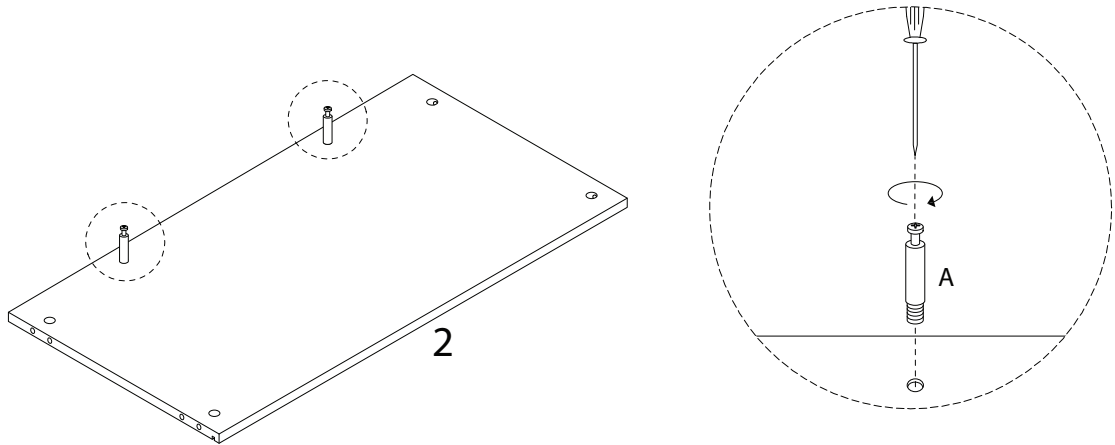
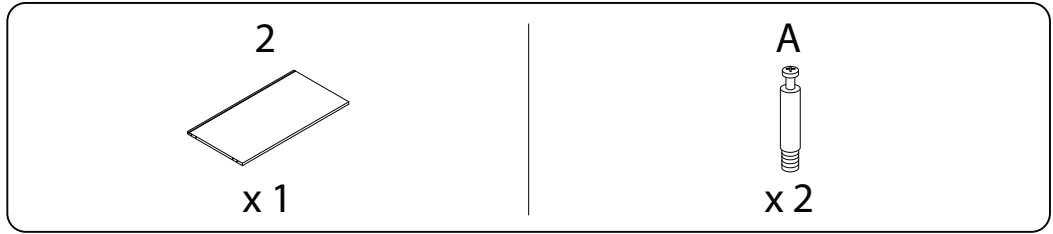
x 1

J

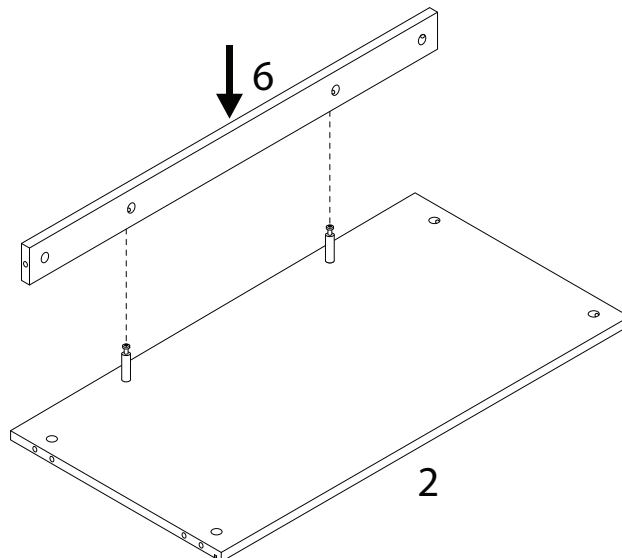
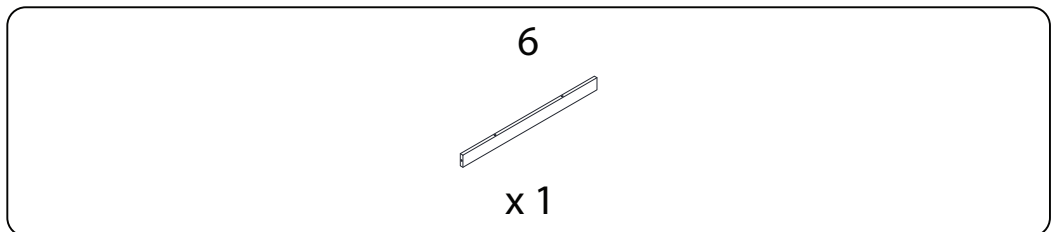


x 22

1



2

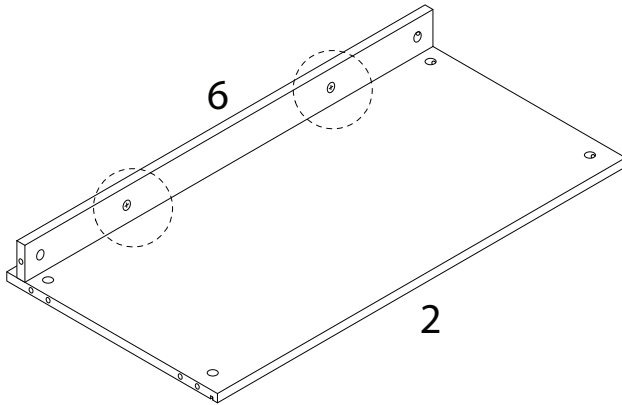


3

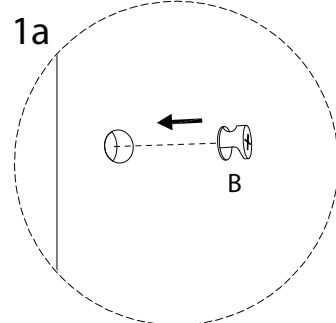
B



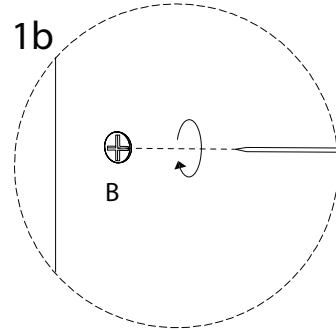
x 2



1a



1b



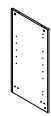
4

3



x 1

4

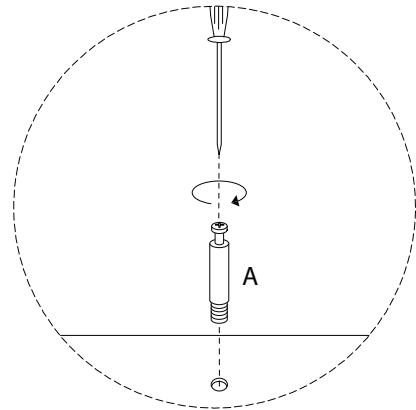
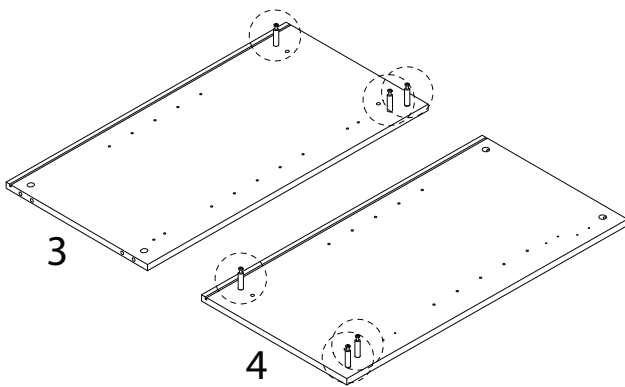


x 1

A

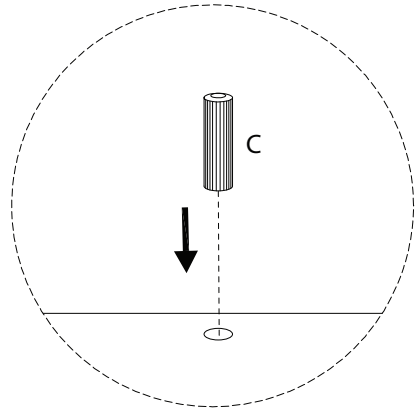
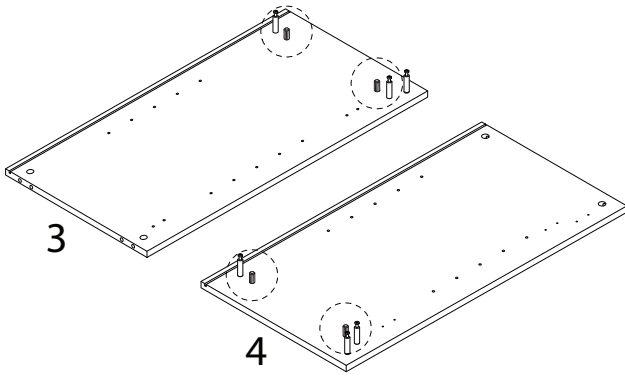


x 6

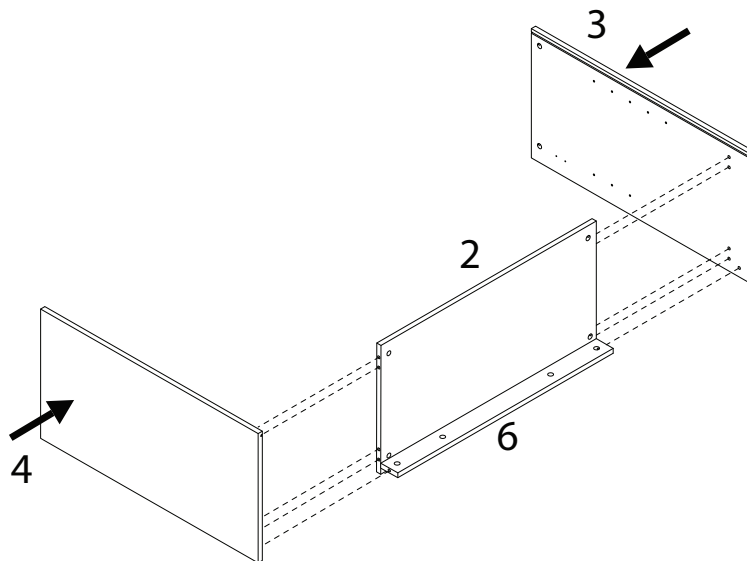


5

C
x 4



6

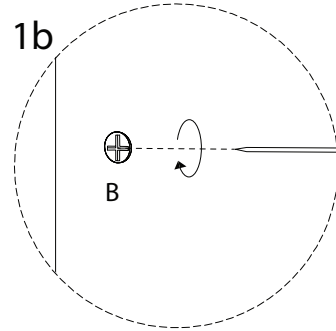
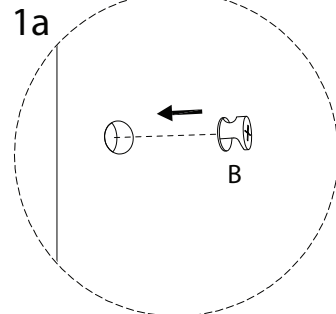
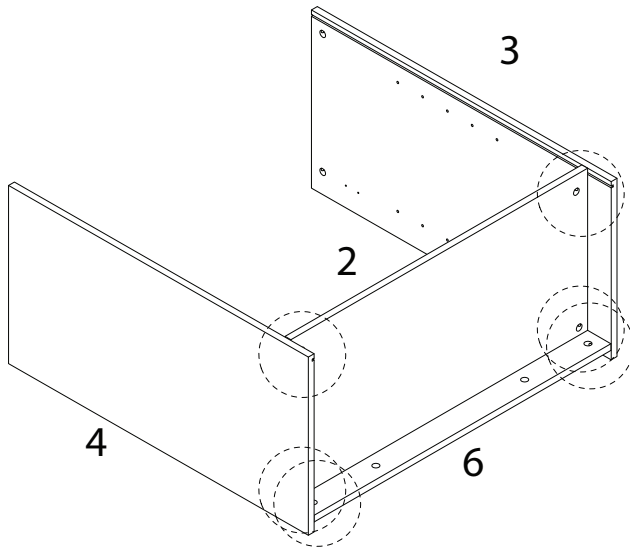


7

B

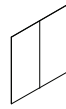


x 6

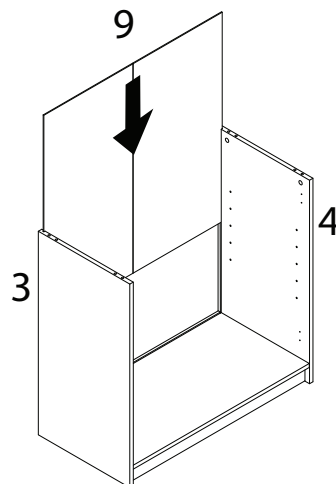


8

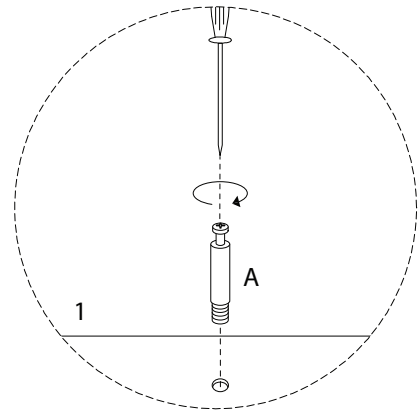
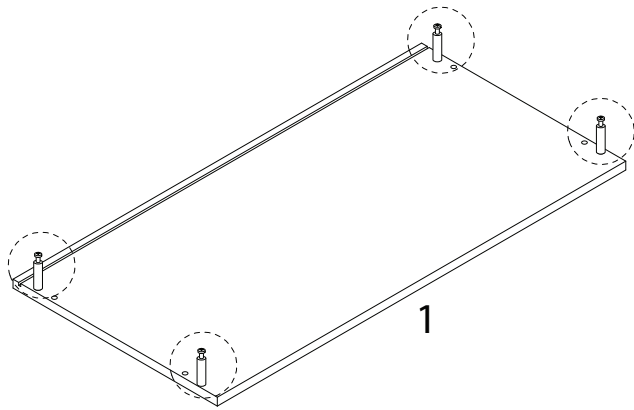
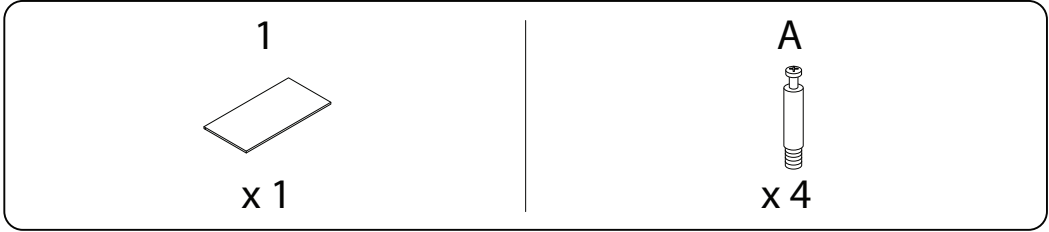
9



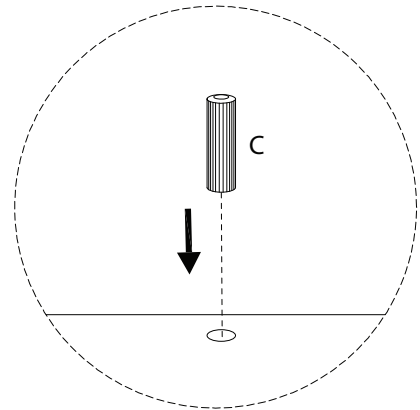
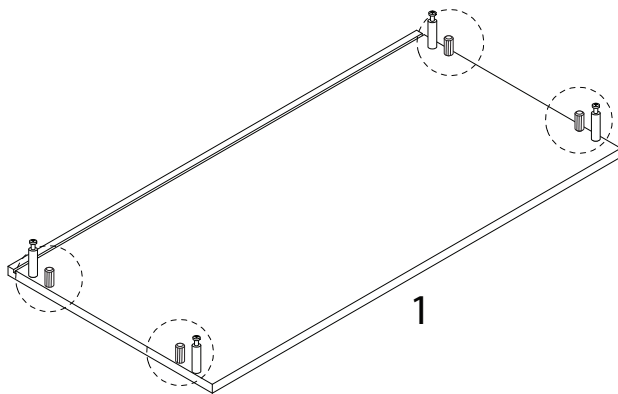
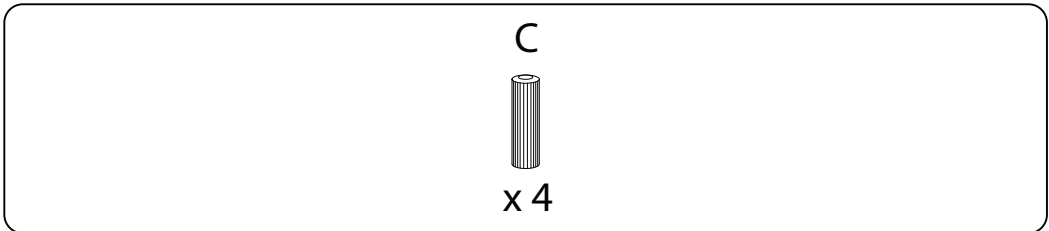
x 1



9



10



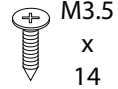
11

h₁

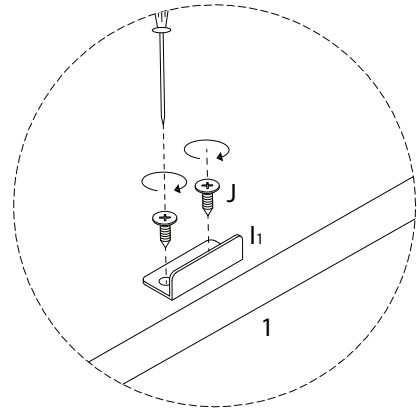
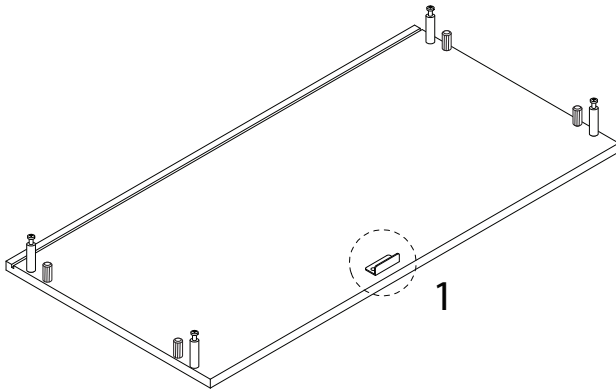


x 1

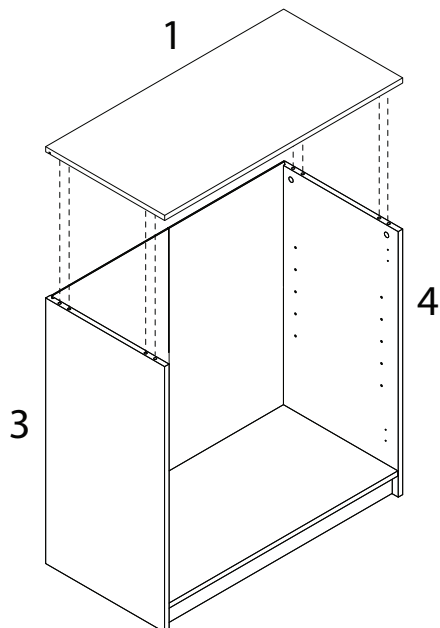
J



x 2



12

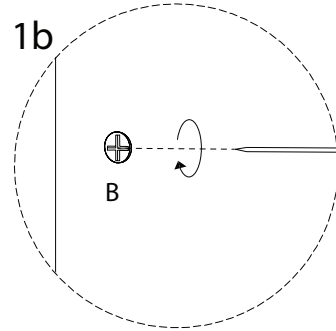
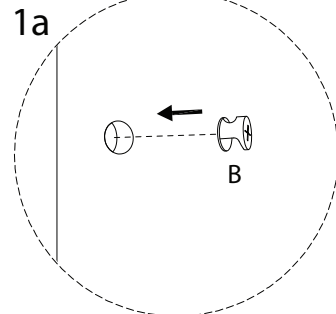
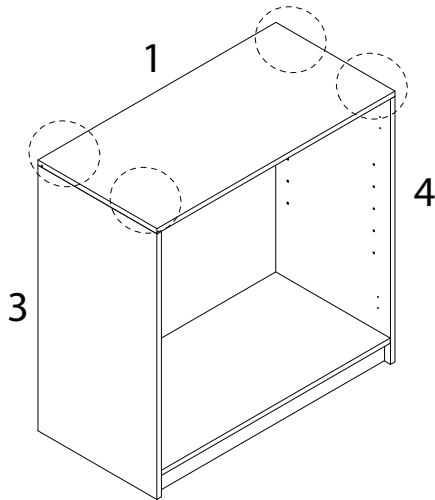


13

B

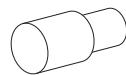


x 4

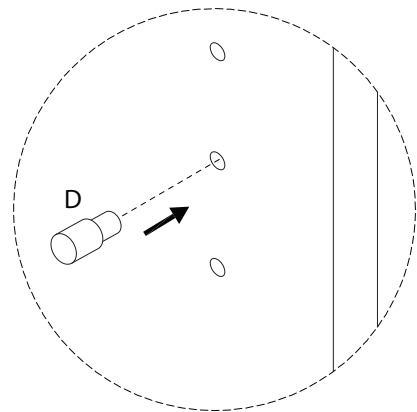
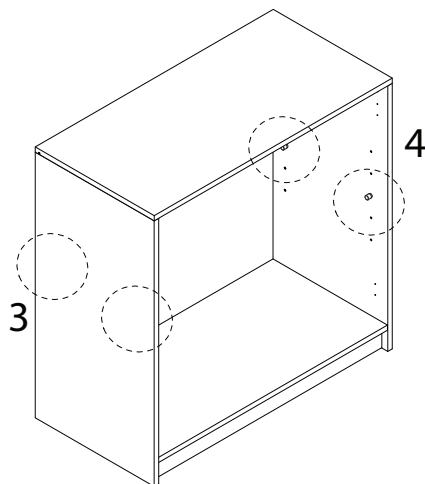


14

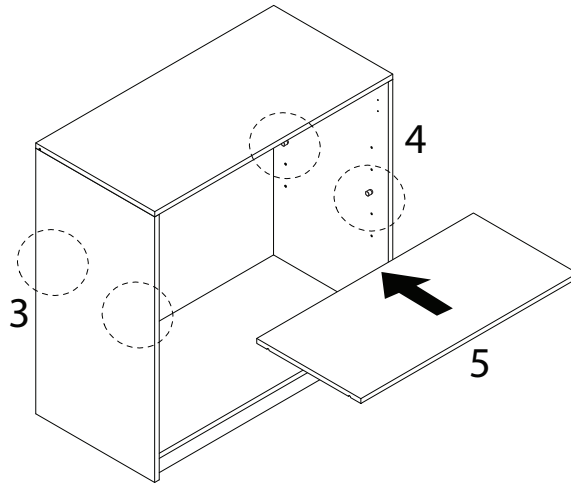
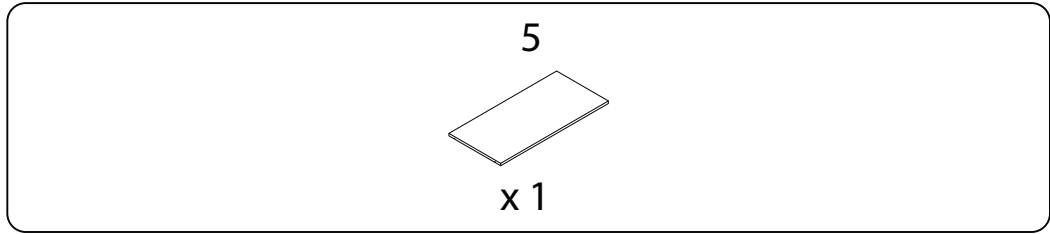
D



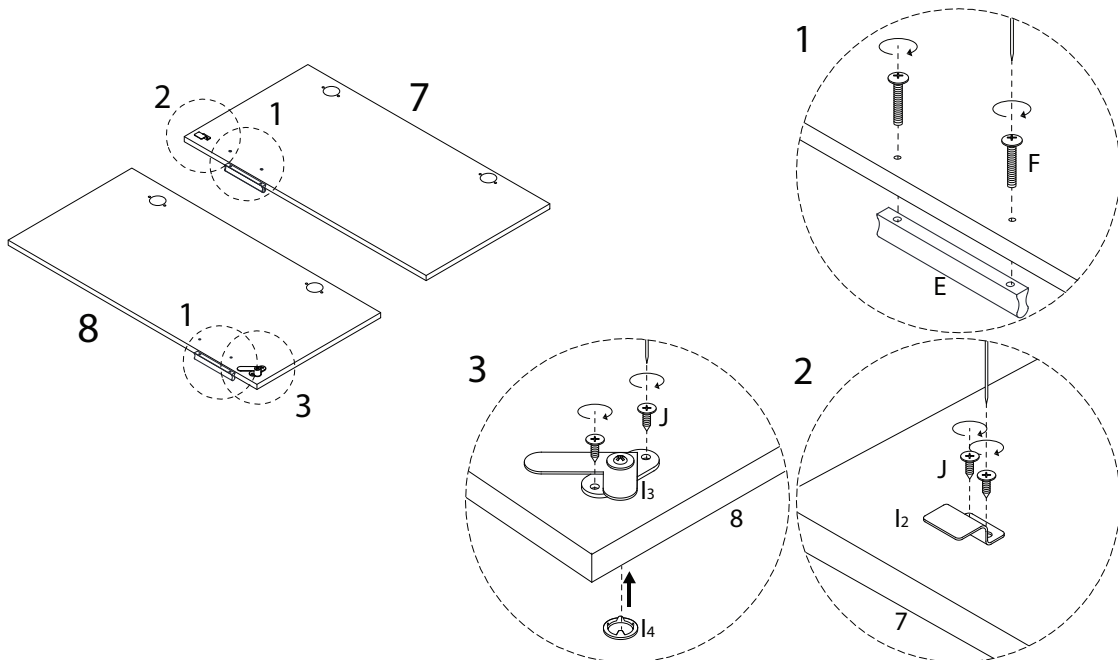
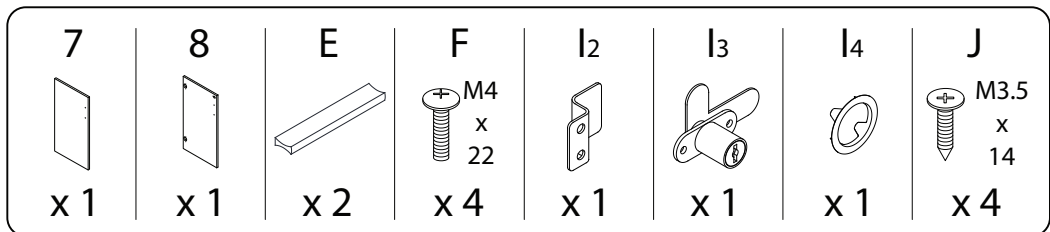
x 4



15

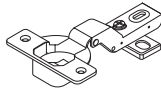


16



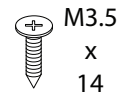
17

G

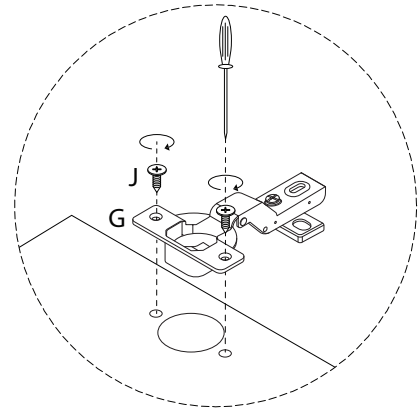
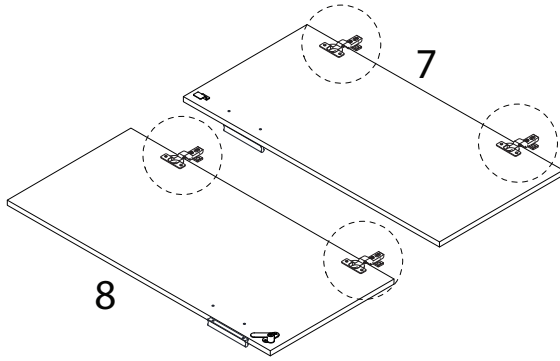


x 4

J



x 8



18

H1

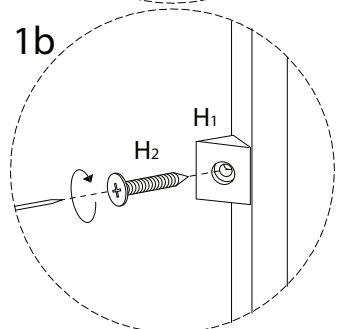
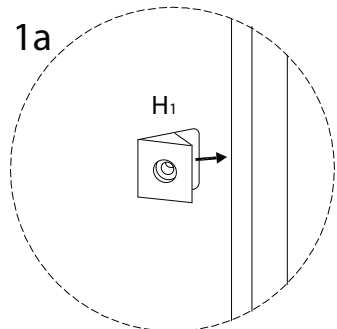
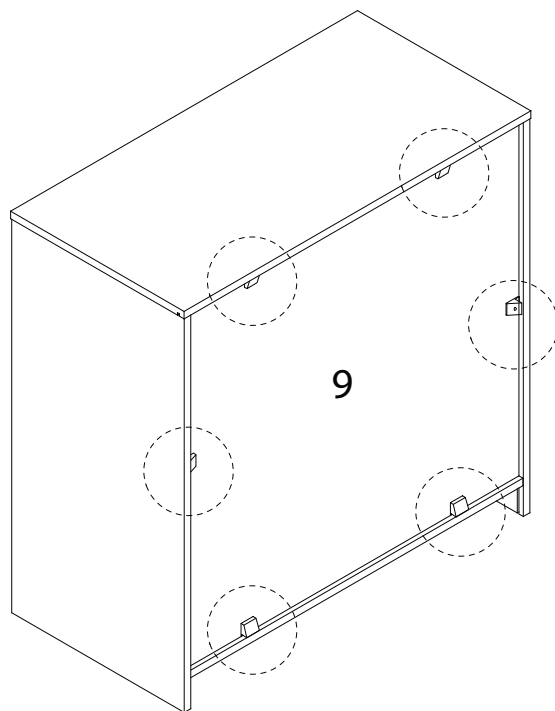


x 6

H2



x 6

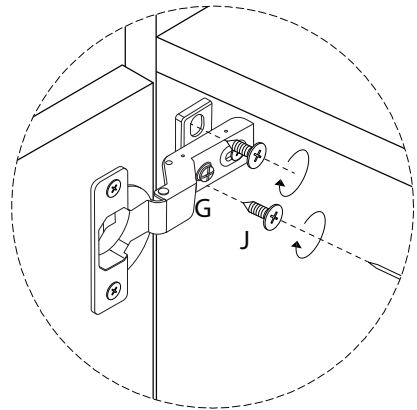
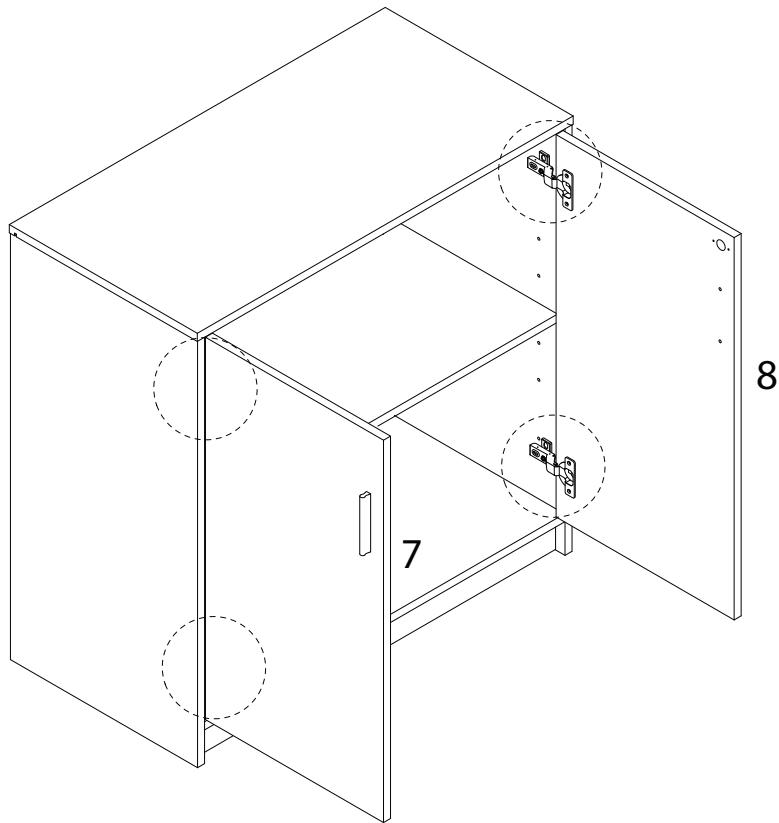


19

J

M3.5
x
14

x 8



20

