

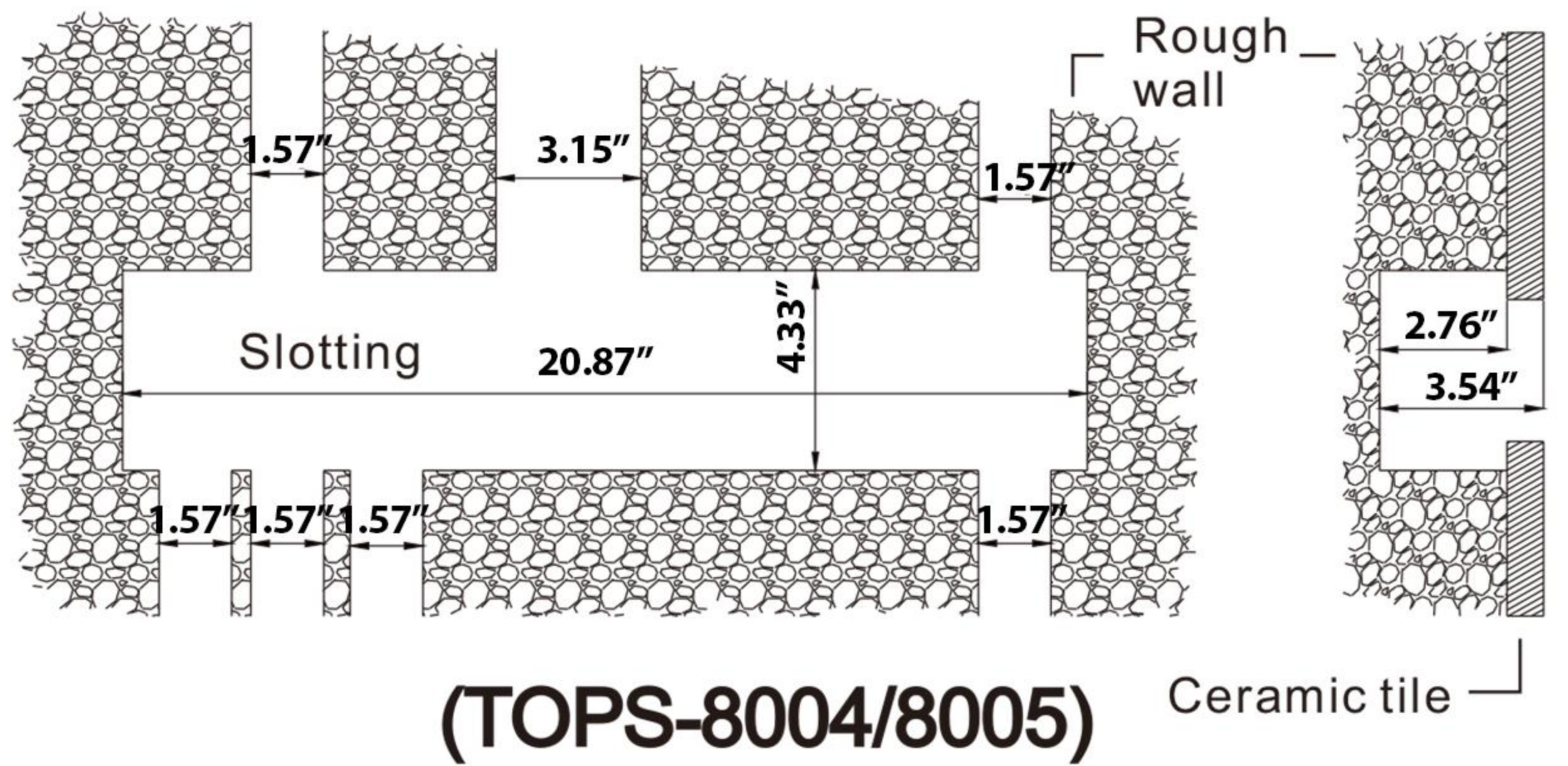
INSTALLATION STEPS

CLEANING PIPELINES

Open the water source and flush out the mud, sand, and dirt inside the water pipe.

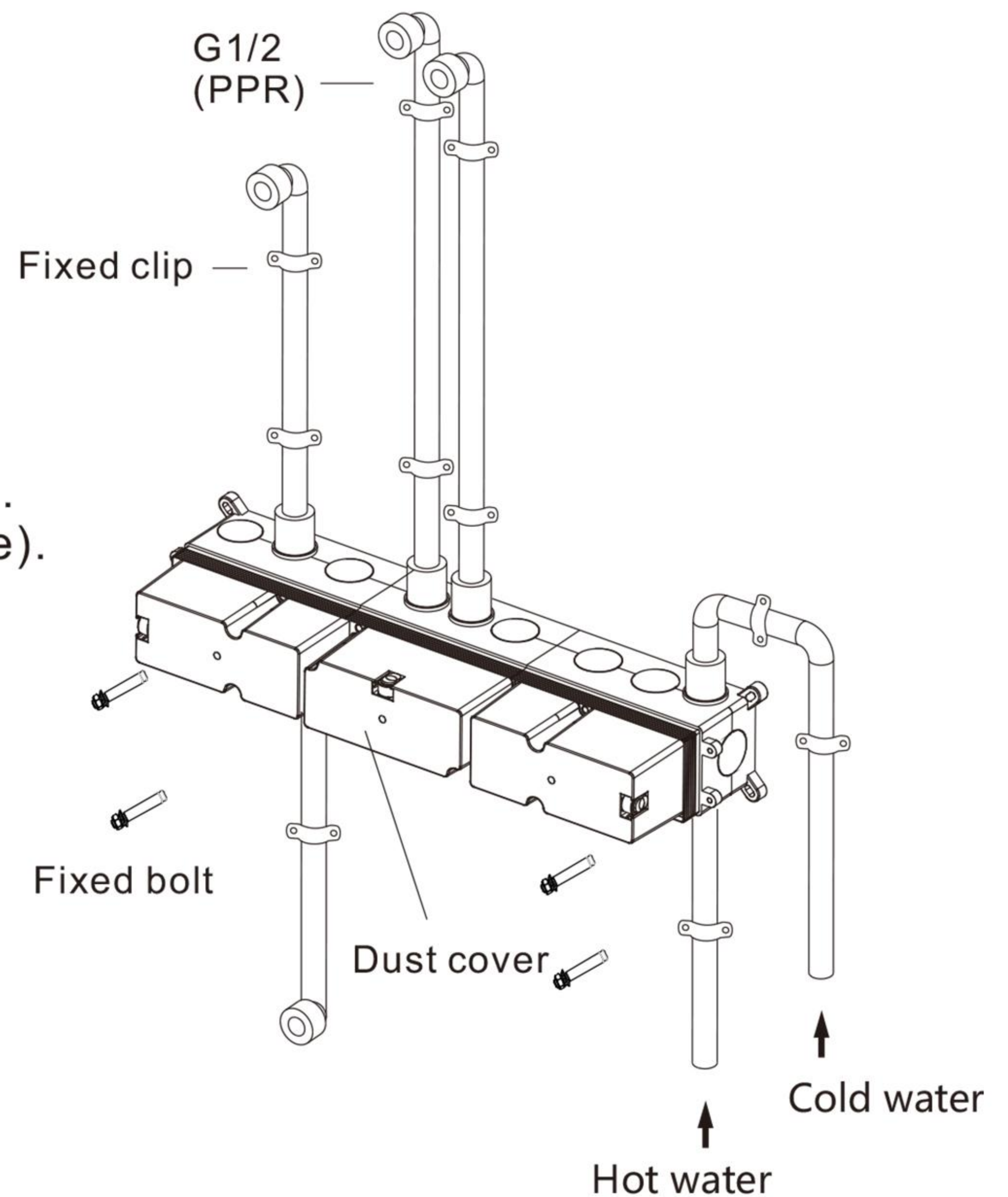
WALL SLOTTING

1. Hole size of the main embedded box blank: 530 * 110*70-80mm deep (note: 70mm is optimal), completeThe depth of the wall embedded box is 85-100mm, please refer to the specific detailsLabel label on the surface of the box.
2. According to the product size, excavate the cold and hot water pipes, and discharge them Water pipe trough.



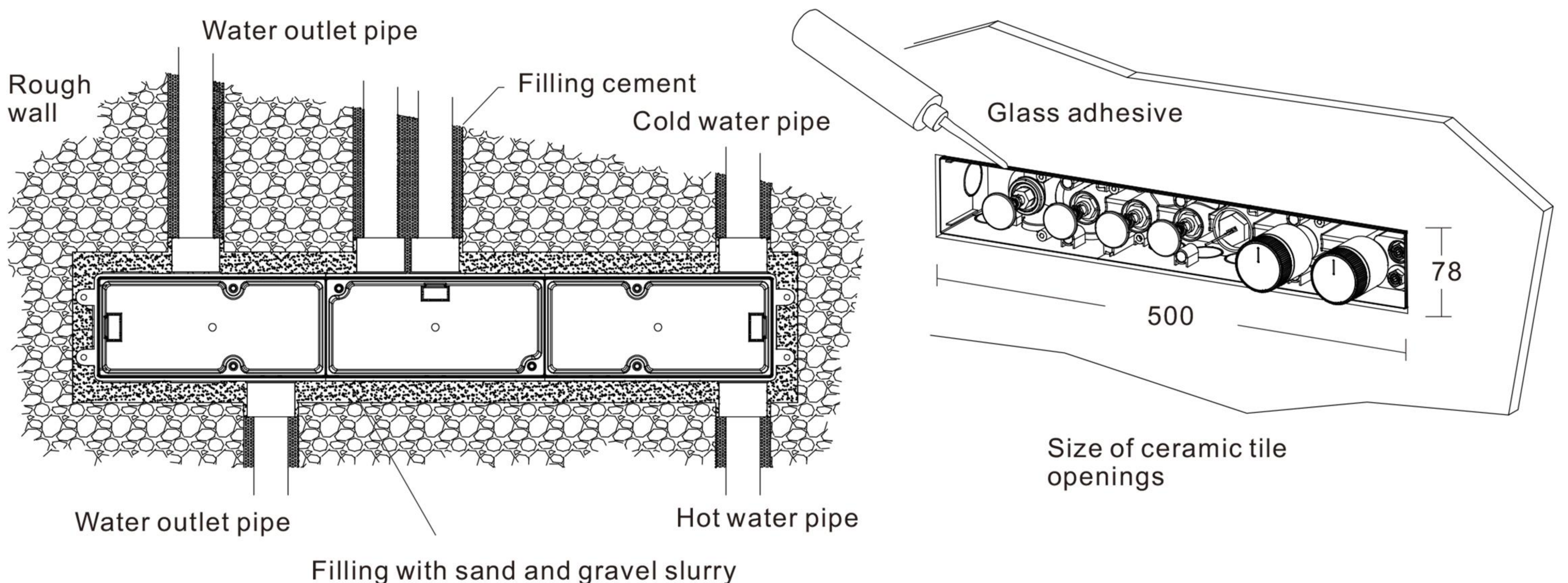
WATER PIPE INSTALLATION

1. Weld the water pipes together and connect them to the embedded boxes, then tighten and fix them with a wrench. (Note: Wrap a thick raw material strip around the interface).
2. Move the installed pipe to the excavated pit and check the parallelism and verticality of the embedded box with the wall surface
3. Fix the pipe in the groove, ensuring that the end face is flush or slightly lower than the tile surface, and avoiding being higher than the tile surface.
4. Let the water pipe and waterway remain under high pressure for 48 hours to ensure no leakage before proceedingPerform soil sealing operation.



WALL SEALING PROCESS

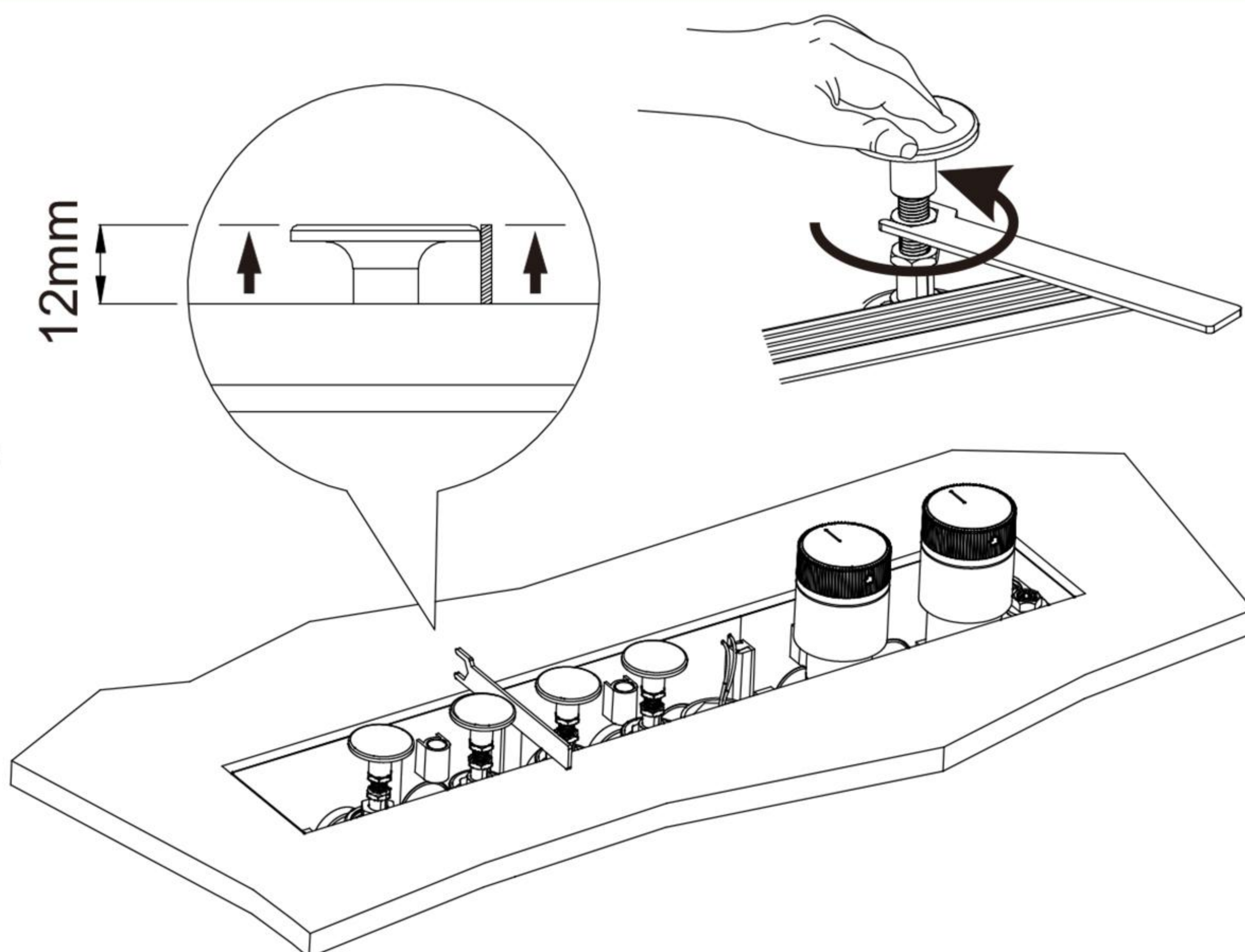
1. Please refer to the following diagram for the filling material near the embedded box.
2. Ceramic tile opening: 500 * 78mm(Please cut along the minimum outer wall edge of the embedded box), which must be smaller than the decorative panel, and pay attention to chamfering around (avoid)Make a square angle and enlarge it, otherwise it will affect the appearance3. Glue and seal the edges of the embedded box.



INSTALLATION STEPS

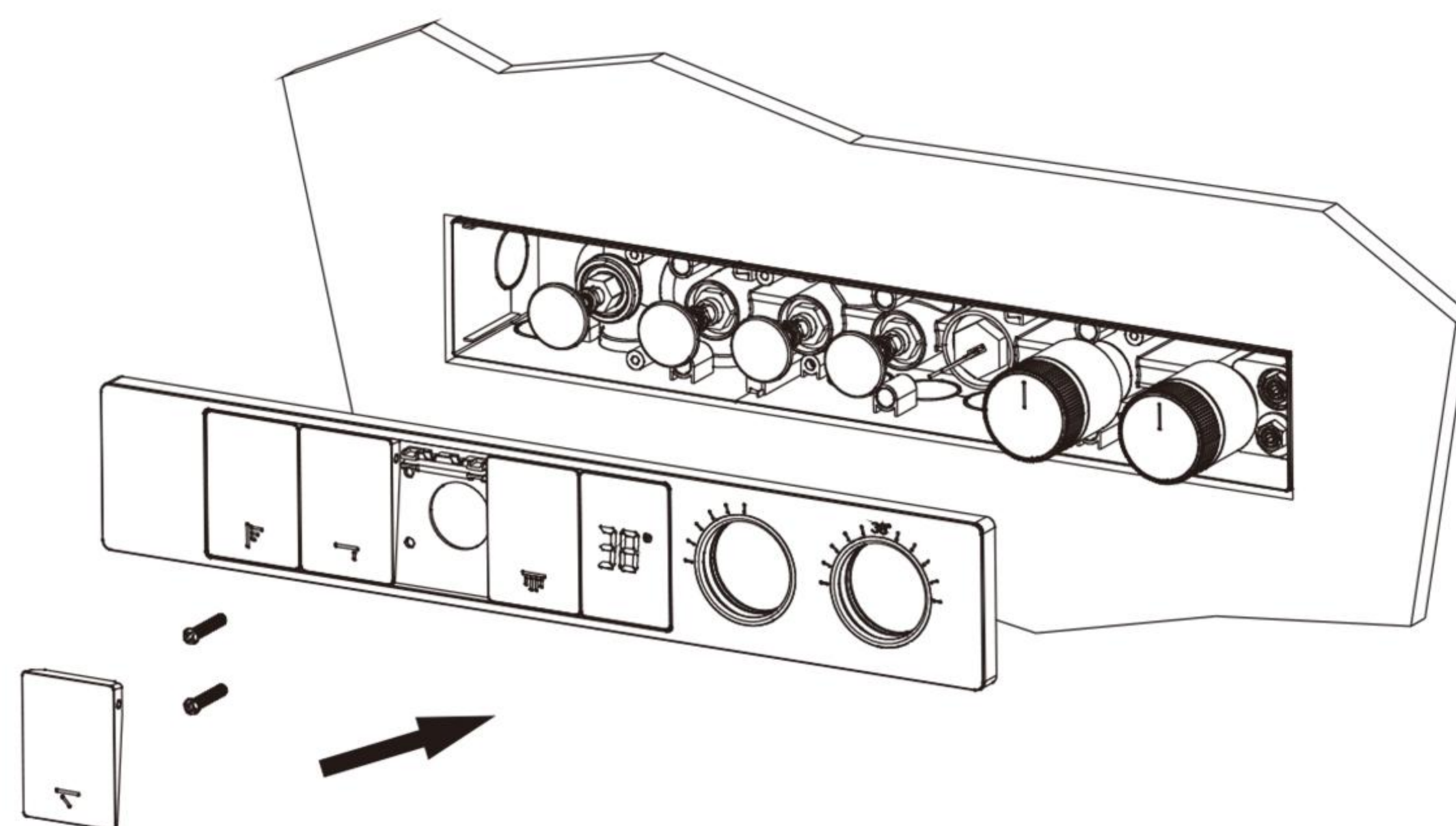
HEIGHT ADJUSTMENT

1. Please ensure that the valve core is in the closed state (sinking position) first.
2. Place the specialized adjustment measuring tool vertically and horizontally on the surface of the ceramic tile.
3. Loosen the top plate to the left until the end face is flush with the measuring tool.
4. Fix the top rod plate with the left hand and use the six on the measuring tool with the right hand adjust the nut to the right and up with the corner opening, and tighten it.
5. After installing the panel, test the feel of the buttons.



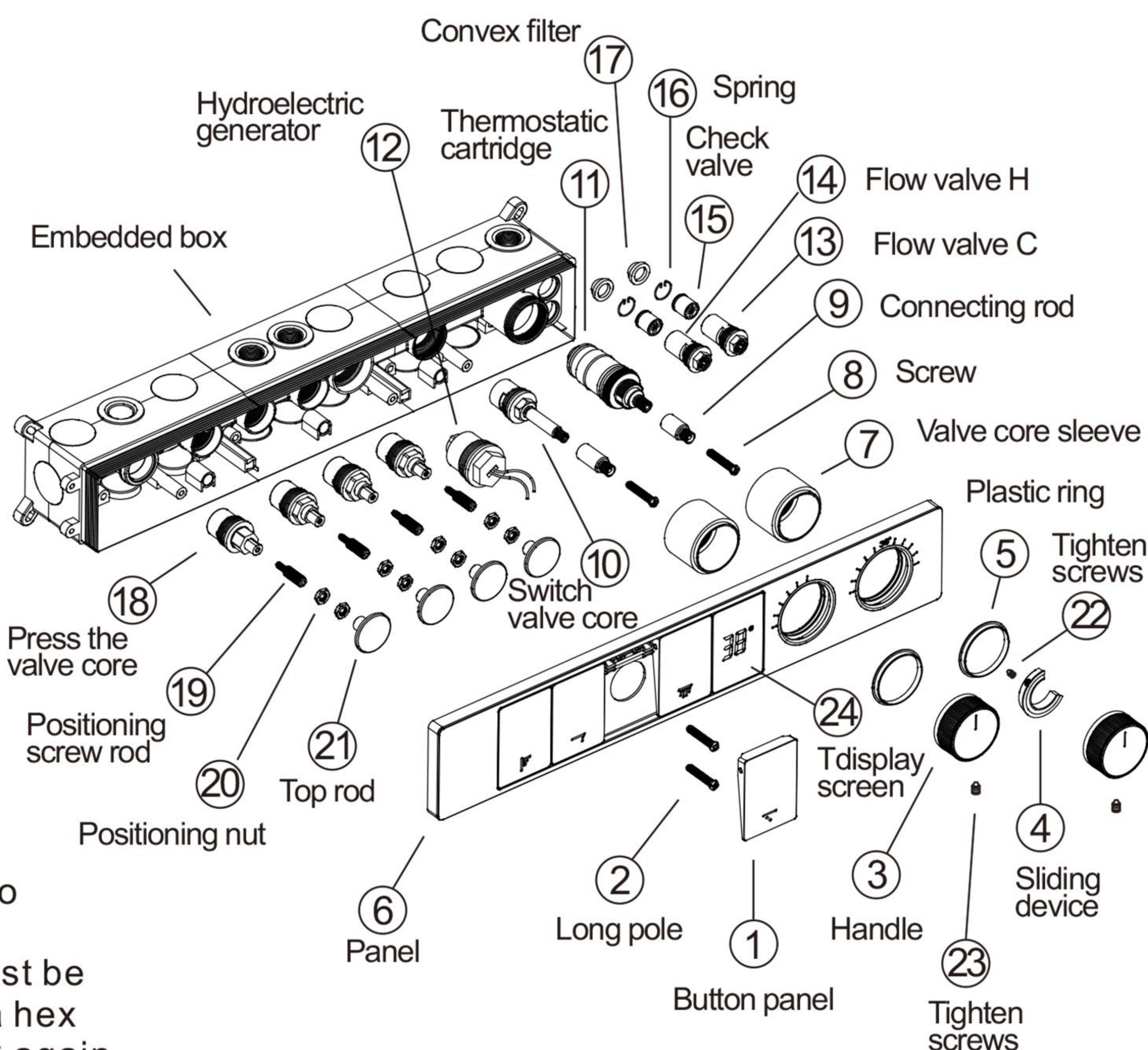
PANEL INSTALLATION

1. Align the two holes on the panel with the main valve core cylinder and insert it.
2. Tighten the panel with screws.
3. Insert the small panel into the U-slot of the rotating bracket.
4. Test the sensitivity of the key and complete the installation.



DISASSEMBLY AND COMMON FAULT REPAIR

FAULT	INSPECTION SITE	HANDLE
Leakage water	⑩ ⑪ ⑫ ⑬ ⑭ ⑮ ⑰ ⑱	Tightening /cleaning /Replace
Water volume decreases	⑩ ⑪ ⑫ ⑬ ⑭ ⑰ ⑱	Cleaning /Adjusting
Sudden cold and heat	⑪	Cleaning /Replacement
Only hot water is produced	⑪ ⑬	Cleaning /Replacement
Only cold water is discharged	⑪ ⑭	Cleaning /Replacement
Button malfunction	⑱ ⑲ ⑳ ㉑	Adjustment /Replacement
The light is not on /flickering	⑫ ㉔	Cleaning /Replacement
Loose handle	③ ④ ㉒ ㉓	Tighten



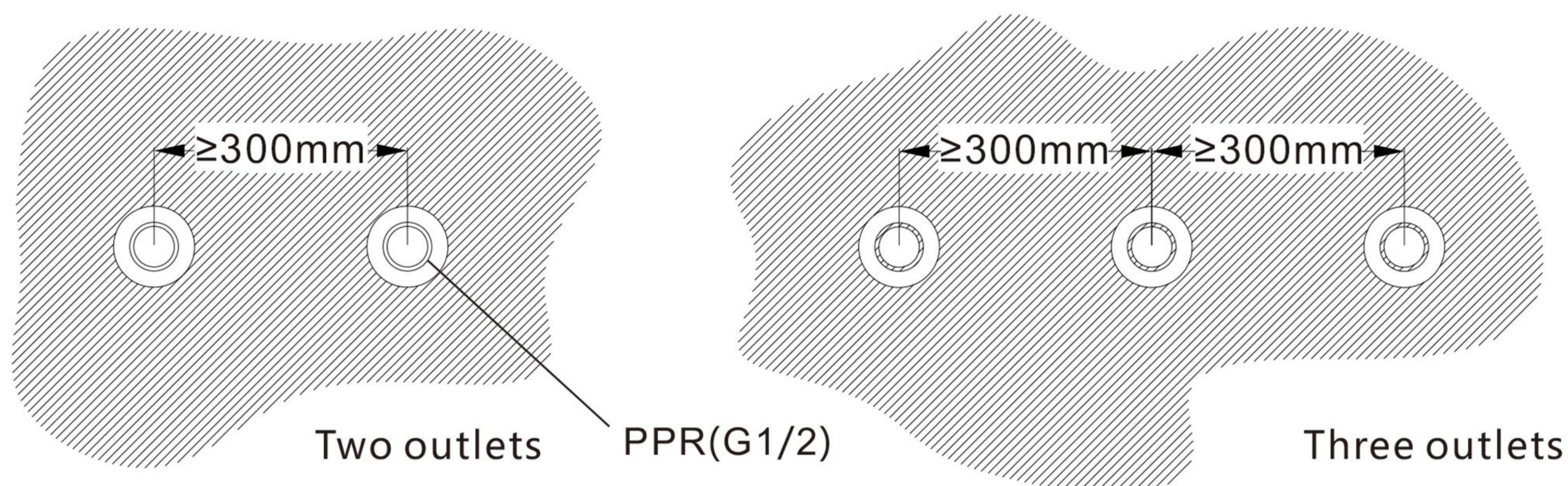
PROMPT

1. If maintenance is required, please disassemble and assemble according to the serial number.
2. Before replacing the valve core, it must be closed by tightening it to the right with a hex wrench. Operate the flow valves H and C again, assemble them and then turn them to the left to the maximum boiling water state.

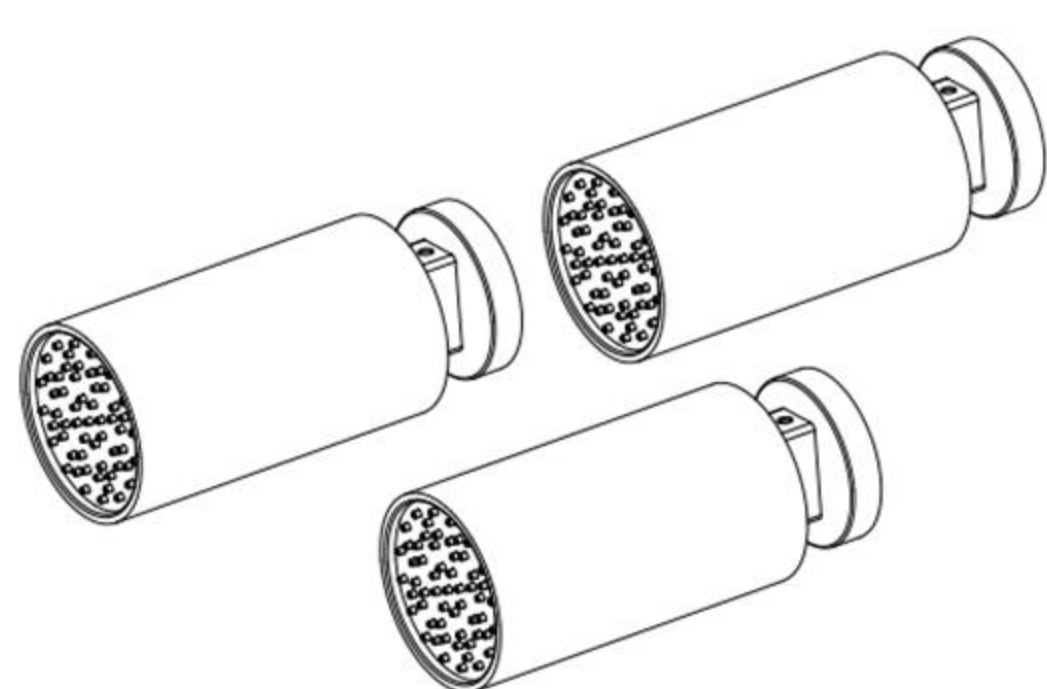
INSTALLATION STEPS

Installation conditions

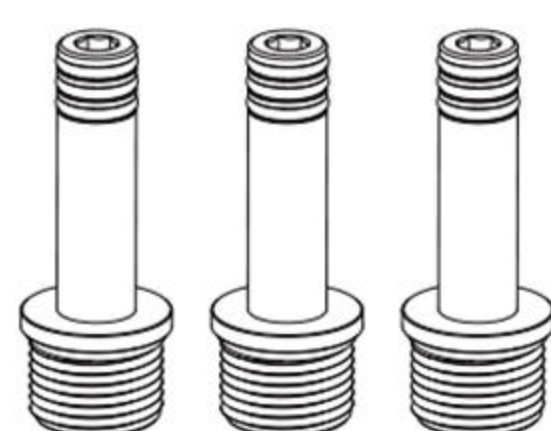
Please ensure that the PPR head embedded in the wall is standard G1/2 teeth



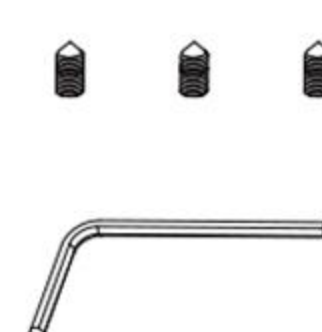
Configuration List



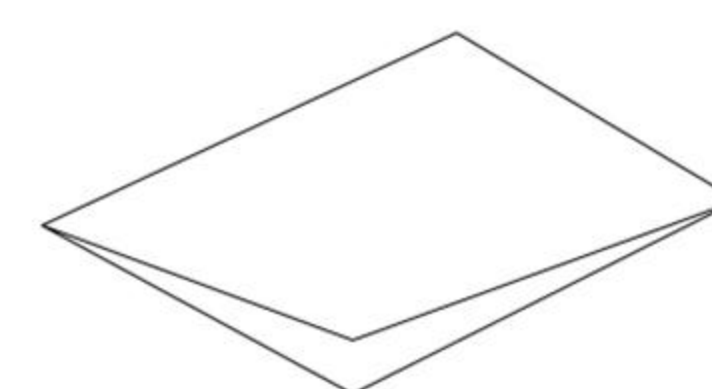
Shower Body



Connector



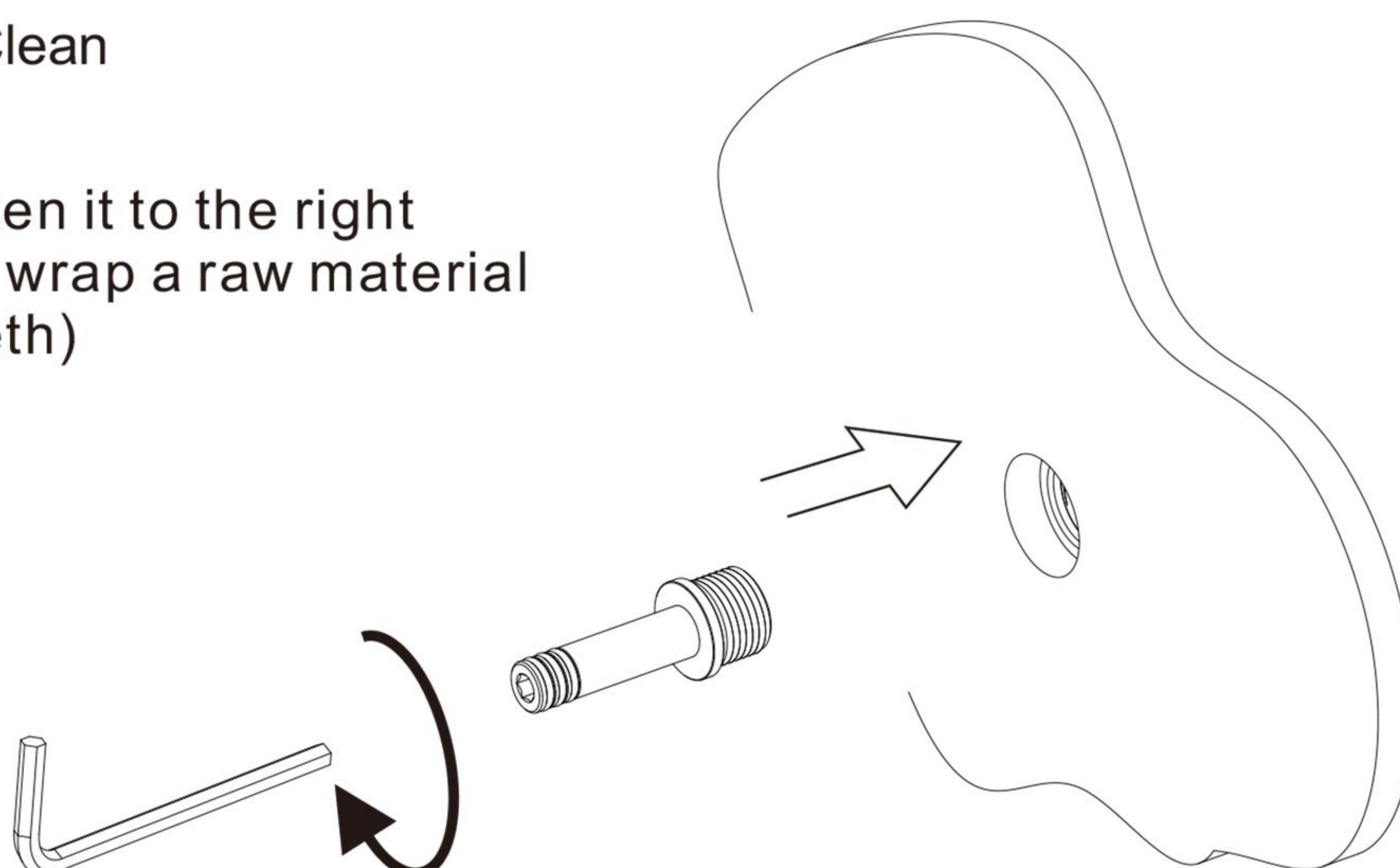
Accessory



Instructions

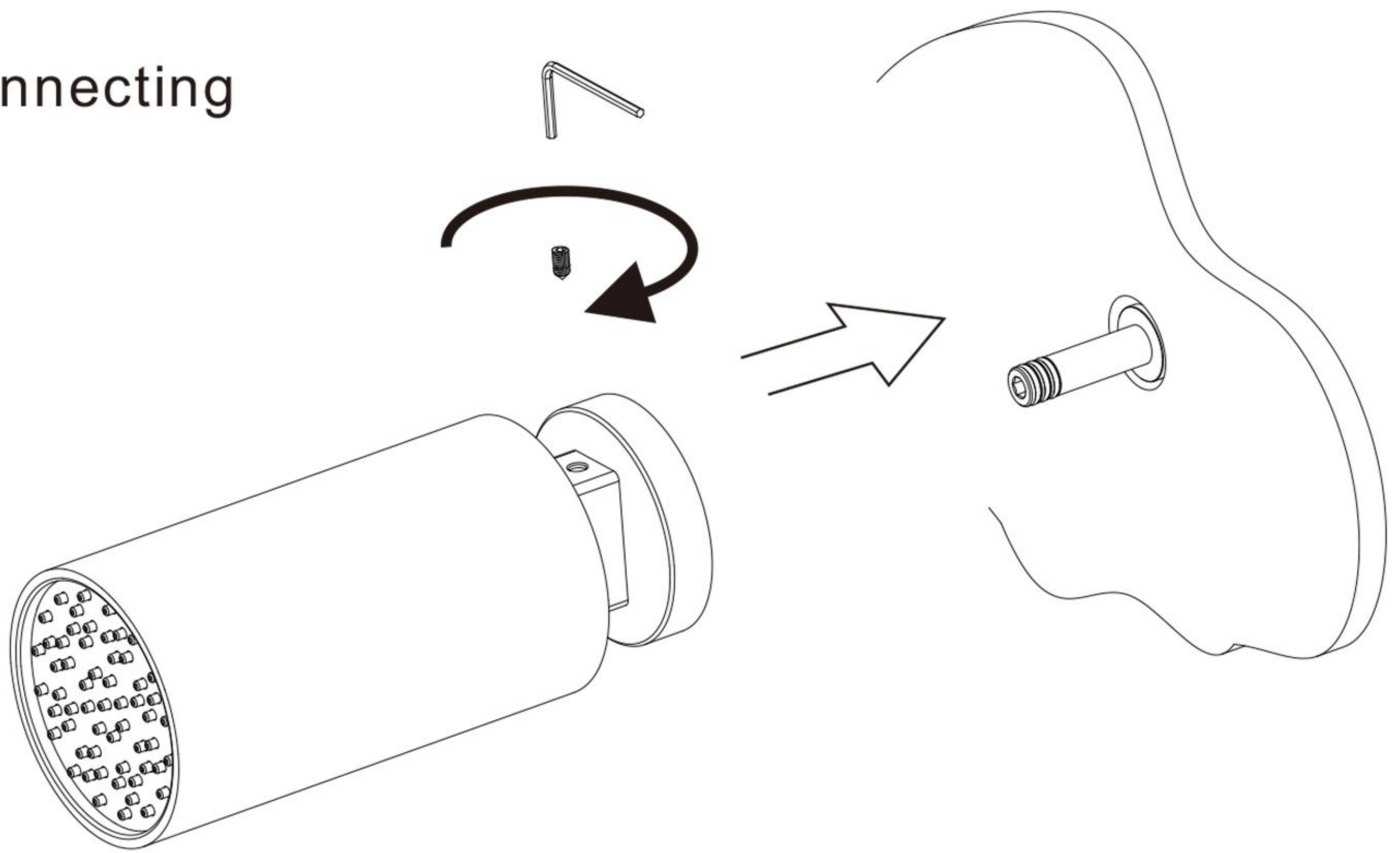
Installation process

1. Open the water source and remove the mud and sand from the water pipe, Clean and flush out the dirt.
2. Install the water inlet part: tighten it to the right (In case of water leakage, please wrap a raw material tape around the outside of the teeth)

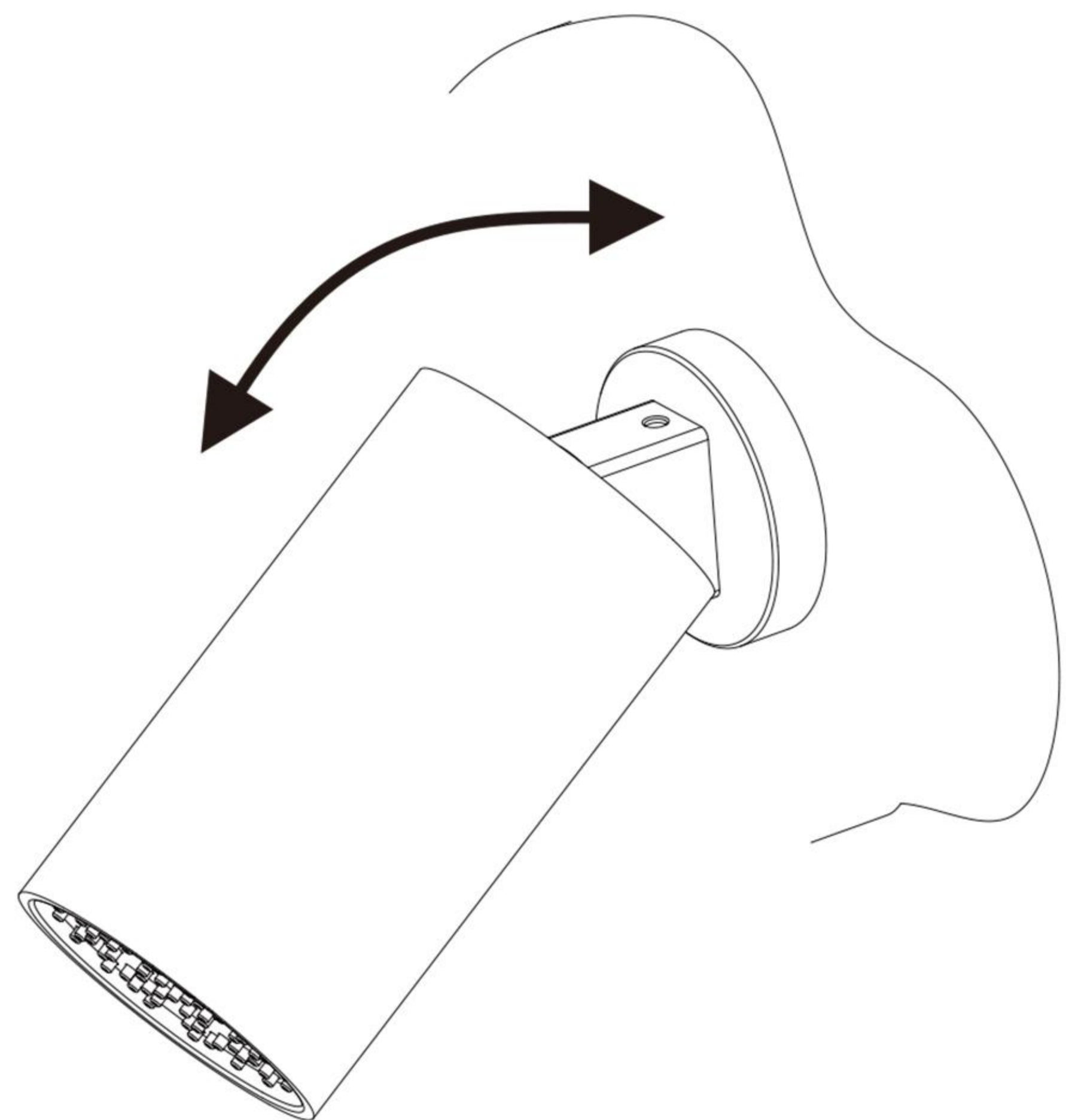


INSTALLATION STEPS

3. Insert the main body into the connecting rod and use M5 screws to lock the main body.



4. By rotating the main body, adjust the (multi range) water outlet angle to achieve Best comfortable shower experience.



5. Check the water outlet and complete the installation.

CLEANING CARE

In order to keep the appearance of faucet clean, bright and good performance, please take care of the faucet as follows;

1. Rinse with water only and dry with soft cotton cloth;

2. Use mild liquid and colorless glass cleaner to remove surface dirt and scale film, or use polish without abrasive effect;

3. Do not use abrasive detergent, polish, emery cloth, paper towel or scraper, etc.;

4. Do not use acid cleaner, or cleaner and soap with insoluble gran etc.;

5. In the process of use, mud may accumulate in the bubbler and make the water flow slow, The bubbler can be unscrewed, rinsed with water, and then installed back in place.



Please feel free to contact us if you have any questions. We will help to solve the issue together with you. OUR EMAIL: services@rbrohant.com