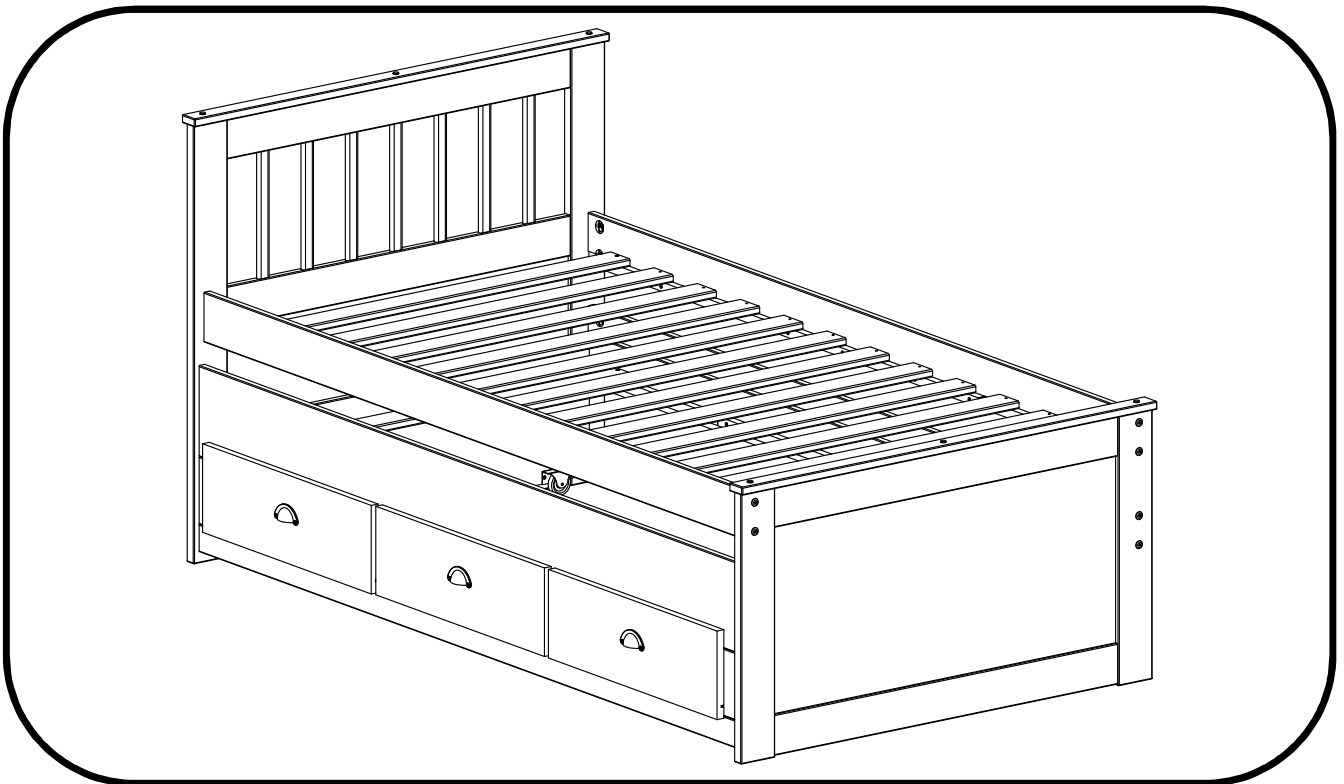


# Captain's Bed



## Assembly Instructions

Product Dimensions:  
43 5/16" L x 77" 1/2 D x 38 11/16" H (TWIN)

Please take a moment to read through the entire instruction booklet before assembly to familiarize yourself with this product. Once you feel ready to start, follow the instructions step by step and this should make this process as easy as we could make it for you.

# WARNING CAUTION

## ADULT ASSEMBLY REQUIRED

### CHOKING HAZARD

- This product includes small parts, sharp points and sharp edges in its unassembled state. Keep unassembled parts away from children under 3 years of age, and animals.

### STRANGULATION HAZARD

- Never attach or hang items to any part of the bed that is not designed for use with the bed; for example, but not limited to hooks, belts, and jump ropes.

### SAFETY WARNINGS

- Follow the information on the warnings appearing on the bed end structure and on the carton. Do not remove warning label from bed.
- Do not allow children under 3 years of age to use the bed.
- Do not use substitute parts. Contact the manufacturer or dealer for replacement parts.

### FURNITURE TIP-OVER HAZARD

#### Children have died from furniture tip-over.

To reduce the risk of furniture tip-over:

- ALWAYS install tip-over restraint especially if used by a wall or in the open.
- NEVER put a TV on this product
- NEVER allow children to stand, climb or hang on drawers, doors, or shelves.
- NEVER open more than one drawer at a time.
- ALWAYS place heaviest items in lowest drawers.



### PARENTAL SUPERVISION IS REQUIRED

- Parents or Guardians should supervise use under the intended age specifically regarding children that may have access to it and climb on the unit.
- Do not allow horseplay on, under, or behind the unit and prohibit jumping on the bed.
- If used improperly, your bookcase may be pulled over or fall, creating risk of injury or damage. Children should not be permitted to climb or pull on the bed.

### USE, MAINTENANCE & ASSEMBLY

- Periodically check and ensure that the components are in their proper position, free from damage, and that all connectors are tight.
- Use on level surfaces only. Assemble on a soft level surface to avoid damage to unit or floor.
- Do not use this item if any components are missing or damaged.
- Do not use substitute parts. Contact the manufacturer or dealer for replacement parts.
- Only clean using damp cloth and mild detergent, do not use bleach or abrasive cleaners.
- Check you have all components and tools listed on page 4
- Do not stand or put weight on this product during assembly, this could cause damage.
- Remove all hardware from the plastic bags and separate them into groups.
- Assemble the item as close to its final position (in the same room) as possible.
- Certain assembly steps may be easier with 2 people.
- Dispose of all packaging carefully and responsibly.
- We do not recommend power screwdrivers. Only use hand screwdrivers to prevent damage to unit.

#### Enfants morts suite au basculement d'un meuble.

Afin de limiter le risque de basculement de meuble:

- TOUJOURS utiliser les fixations anti-basculement.
- NE JAMAIS installer de TV sur ce produit.
- NE JAMAIS laisser d'enfants se tenir debout sur les tiroirs, portes ou étagères, y grimper ou s'y suspendre.
- NE JAMAIS ouvrir plus d'un tiroir à la fois.
- TOUJOURS placer les choses les plus lourdes dans les tiroirs du bas.

#### Han muerto niños por el vuelco de muebles.

Para limitar el riesgo de vuelco de los muebles:

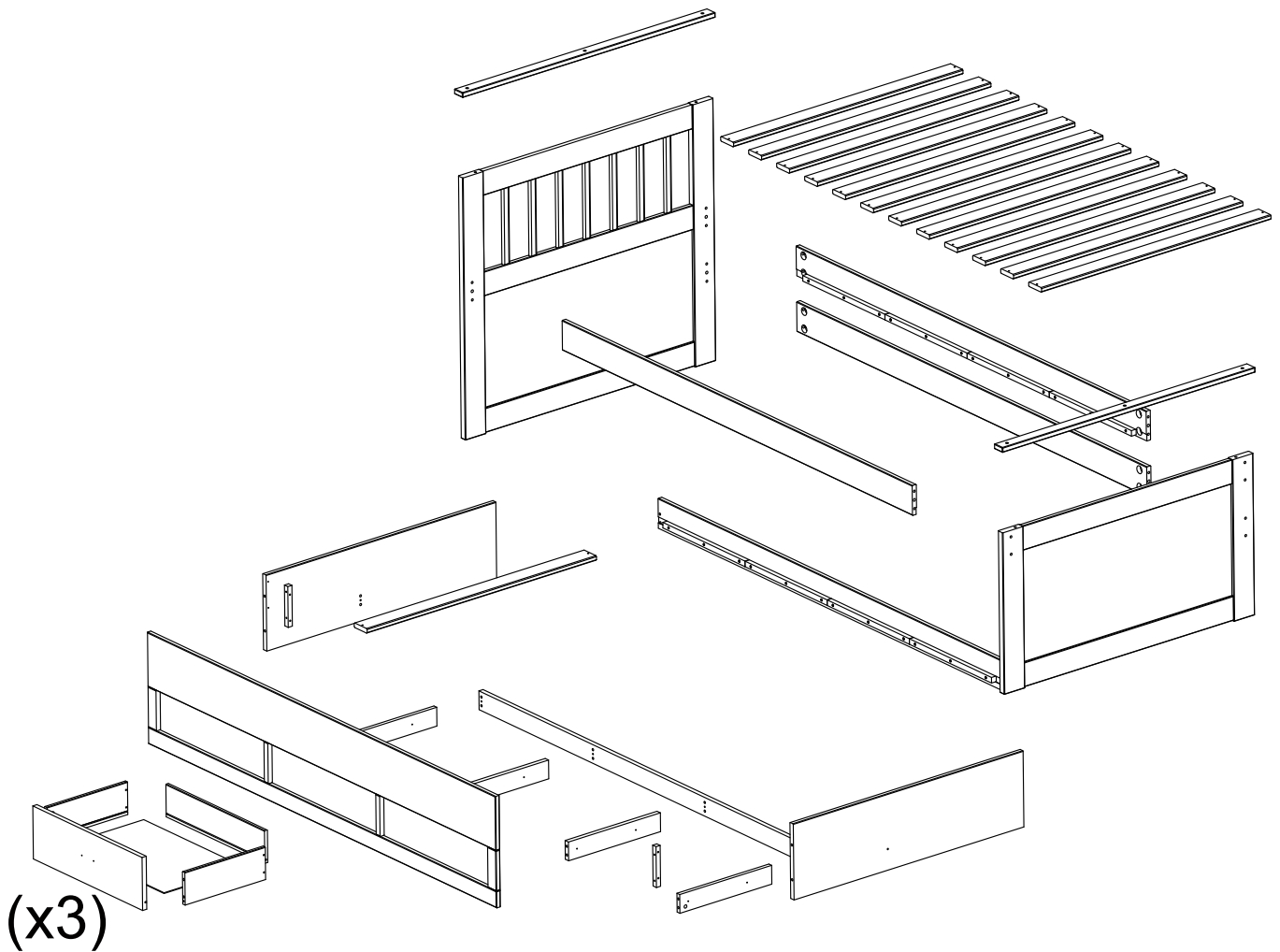
- Utilizar SIEMPRE las fijaciones antivuelco que suministran.
- NUNCA instalar un TV sobre este producto.
- NUNCA permitir que los niños se pongan de pie, trepen o se cuelguen de los cajones, puertas o baldas.
- NUNCA abrir más de un cajón a la vez.
- Colocar los objetos más pesados en los cajones inferiores.

**KEEP THESE INSTRUCTIONS FOR FUTURE REFERENCE**

# ASSEMBLY AT A GLANCE

Please take a moment to read through the whole instruction booklet before assembly to familiarize yourself with this product. Once you feel ready to start, follow the instructions step by step and this should make this process as easy as we could make it for you.

Due to the number of parts involved assembly can take a few hours so set aside between 2 and 3 hours to assemble this without rushing.

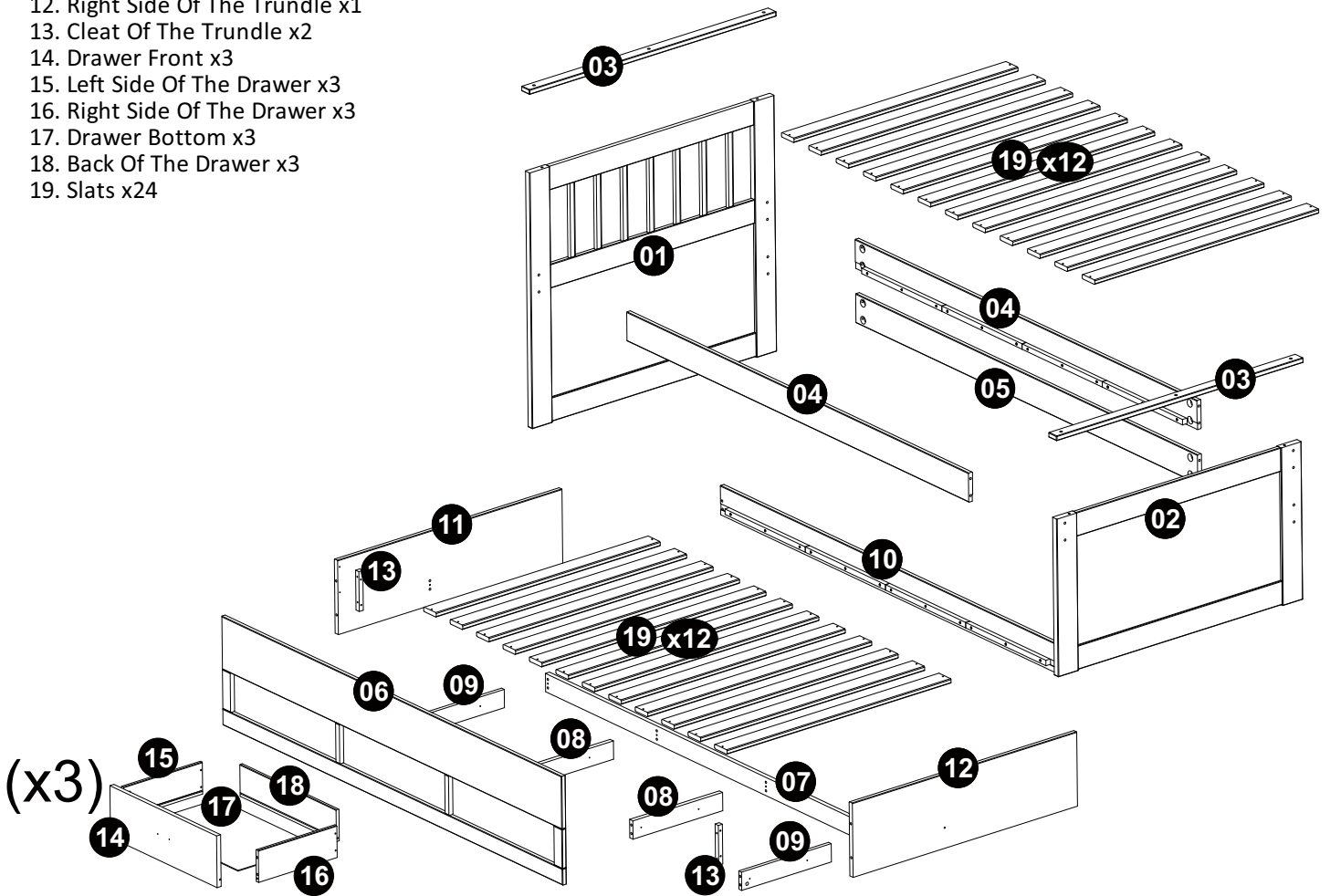


This drawing is to give you an overall idea only of how this assembly will go together and does not replace the assembly instructions.

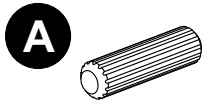
# COMPONENT PARTS

Please check that you have all the parts listed below

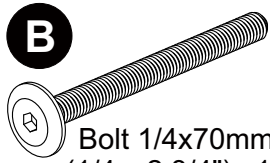
- 01. Headboard x1
- 02. Footboard x1
- 03. Upper Applique x2
- 04. Rail x2
- 05. Down Back Rail x1
- 06. Assembled Front Panel x1
- 07. Side Runner Support Brace x1
- 08. Center Runner Support x2
- 09. Side Runner Support x2
- 10. Trundle Back Rail x1
- 11. Left Side Of The Trundle x1
- 12. Right Side Of The Trundle x1
- 13. Cleat Of The Trundle x2
- 14. Drawer Front x3
- 15. Left Side Of The Drawer x3
- 16. Right Side Of The Drawer x3
- 17. Drawer Bottom x3
- 18. Back Of The Drawer x3
- 19. Slats x24



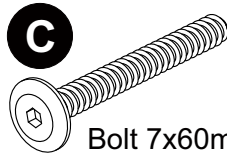
# ASSEMBLY HARDWARE



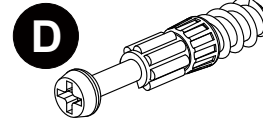
**A**  
Wooden Dowel  
x 24



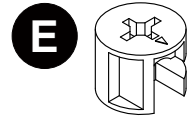
**B**  
Bolt 1/4x70mm  
(1/4 x 2 3/4") x12



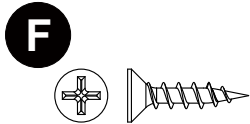
**C**  
Bolt 7x60mm  
(2 3/8") x04



**D**  
Mini-fix Cam  
lock screw x16



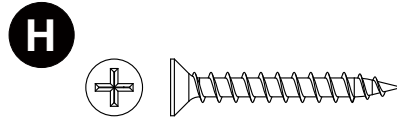
**E**  
Mini-fix Cam  
lock nut x16



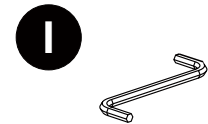
**F**  
Screw 3,5x16mm  
(5/8") x44



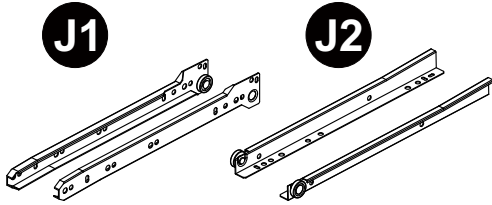
**G**  
Half Moon  
(1/4") x12



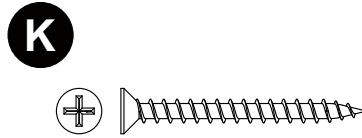
**H**  
Screw 4,0x30mm  
(1 3/16") x74



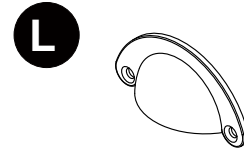
**I**  
Allen Wrench  
x 01



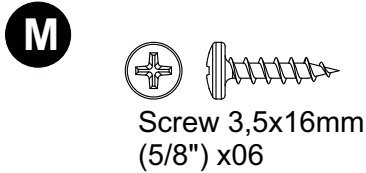
**J1**  
Metal Slide 350mm x3



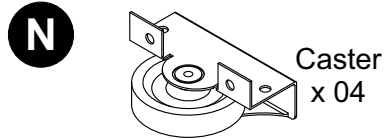
**K**  
Screw 4,0x40mm  
(1 9/16") x06



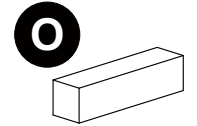
**L**  
Knob  
x 03



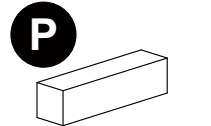
**M**  
Screw 3,5x16mm  
(5/8") x06



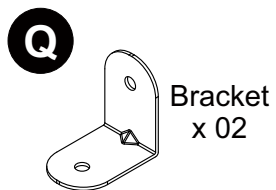
**N**  
Caster  
x 04



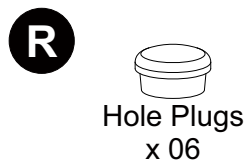
**O**  
Spacer 82mm  
(3 7/32") x1



**P**  
Spacer 77mm  
(3 1/32") x1

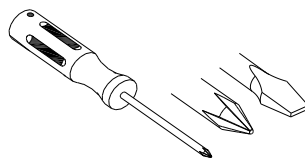


**Q**  
Bracket  
x 02



**R**  
Hole Plugs  
x 06

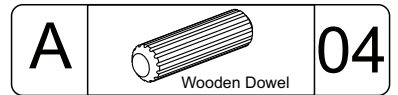
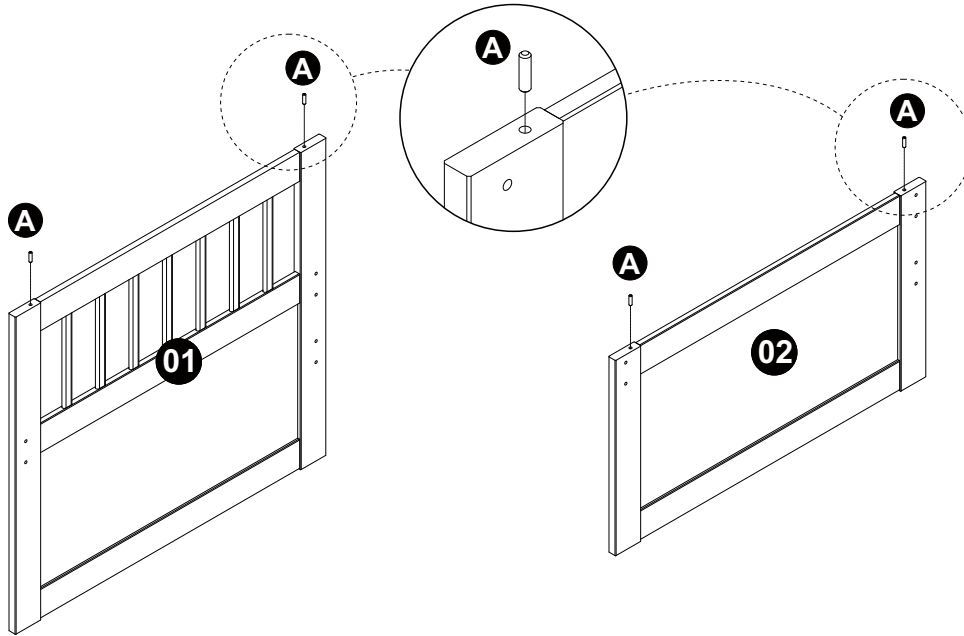
## TOOLS REQUIRED



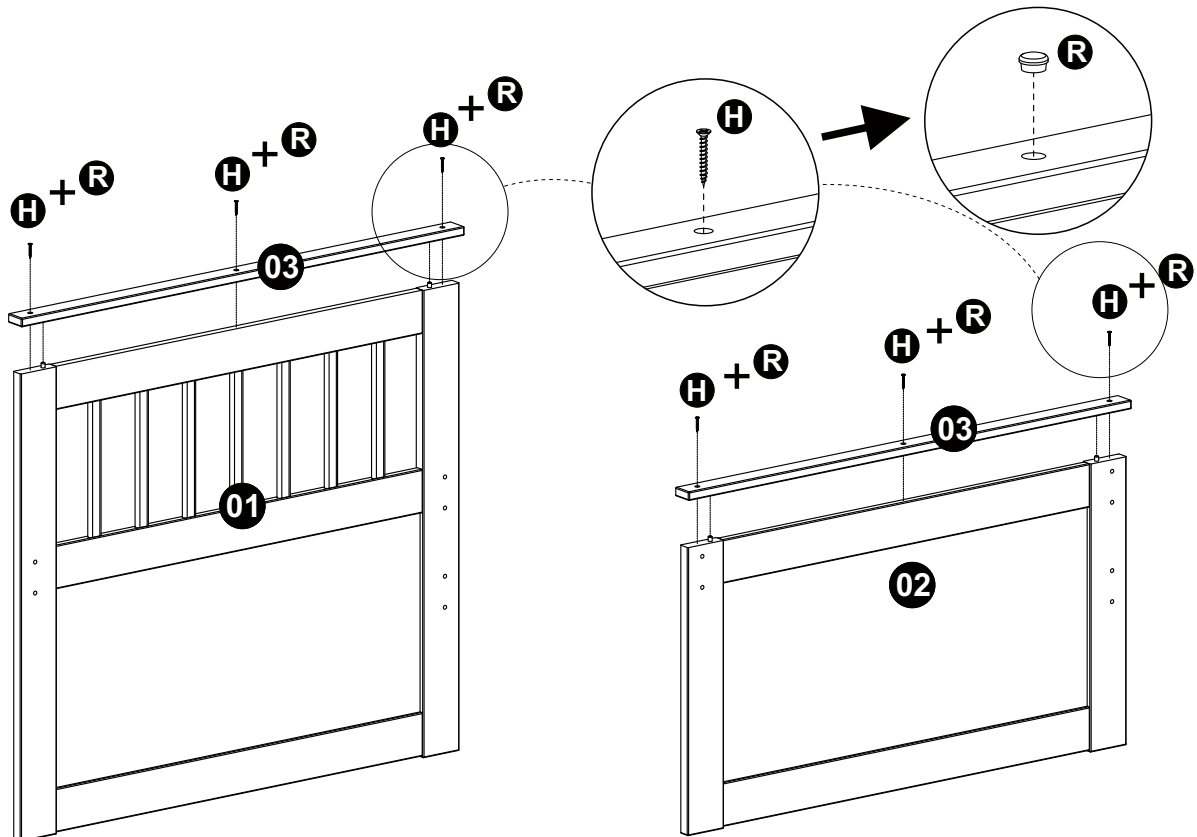
Phillips Screwdriver  
(Medium)

# ASSEMBLY INSTRUCTIONS

1



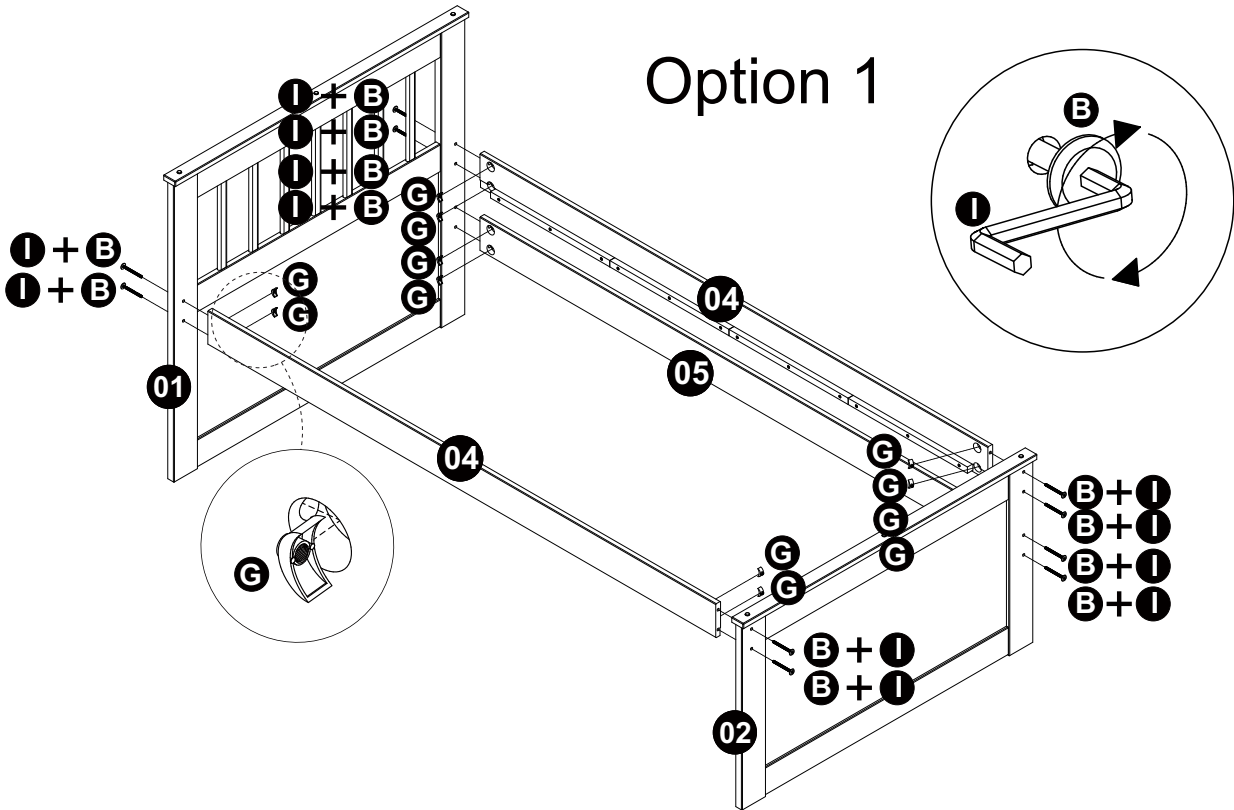
2



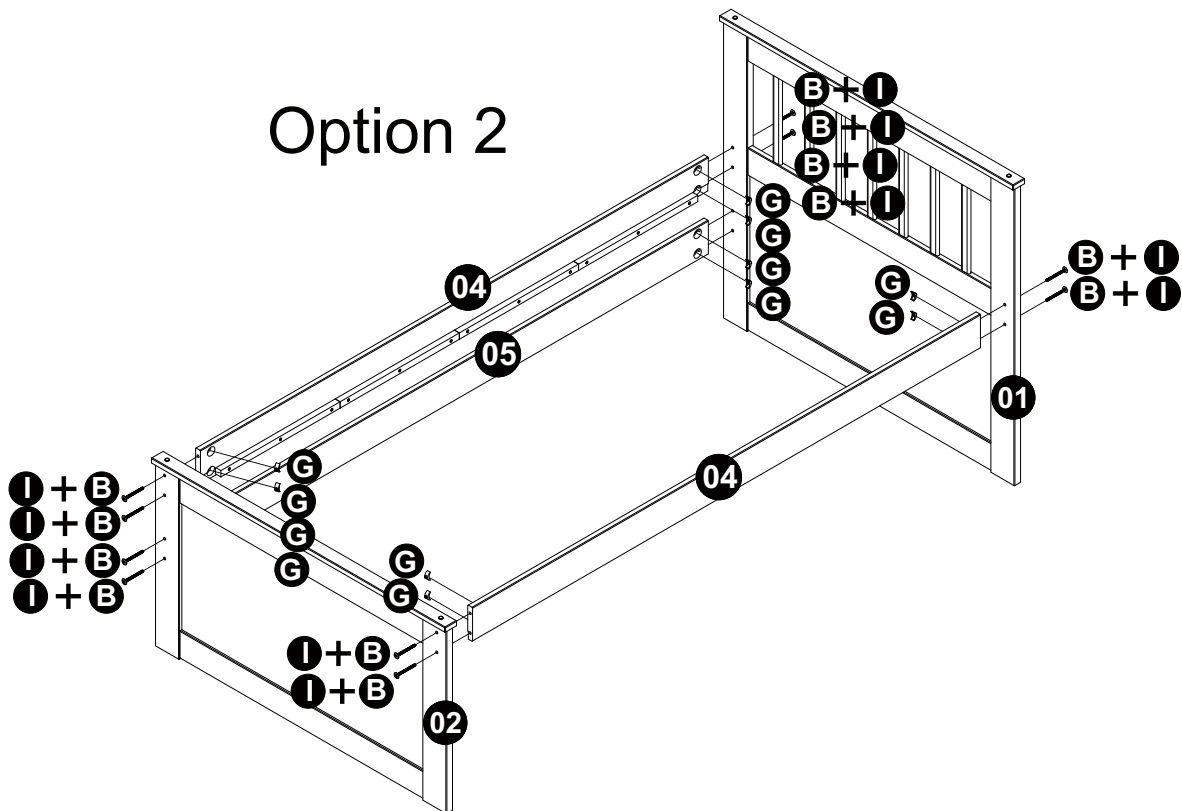
# ASSEMBLY INSTRUCTIONS

3

## Option 1



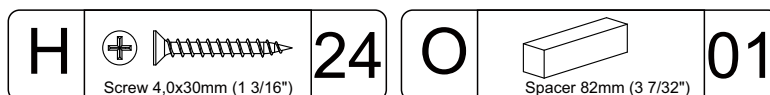
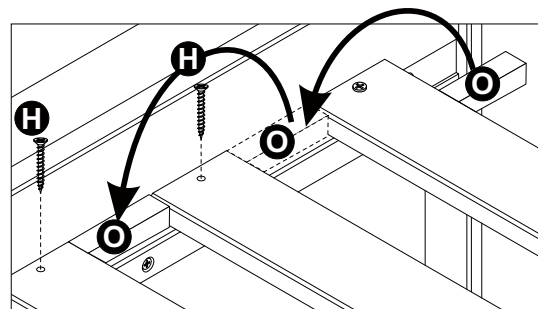
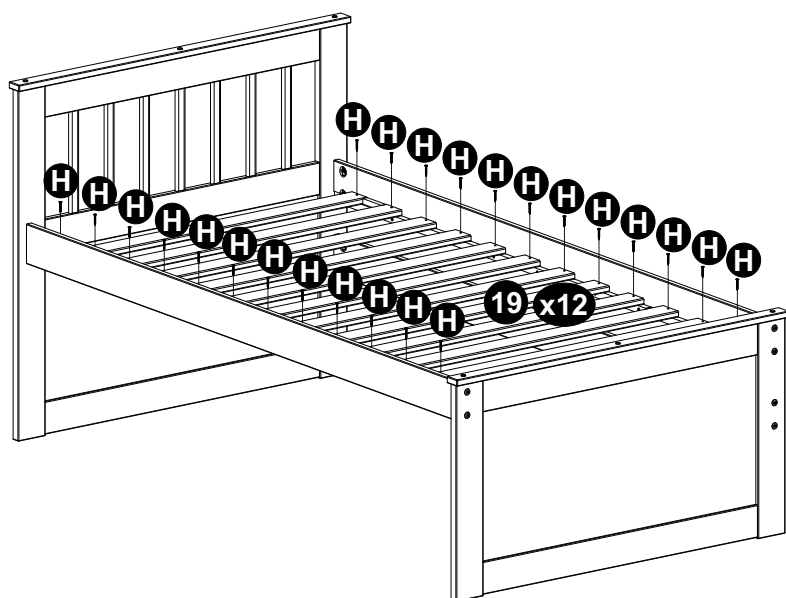
## Option 2



|   |           |  |           |   |           |
|---|-----------|--|-----------|---|-----------|
| <p><b>B</b></p>  <p>Bolt 1/4 x 70<br/>(1/4 x 2 3/4")</p> | <p>12</p> | <p><b>G</b></p>  <p>Half Moon<br/>1/4</p> | <p>12</p> | <p><b>I</b></p>  <p>Allen Wrench<br/>1/4</p> | <p>01</p> |
|---|-----------|--|-----------|---|-----------|

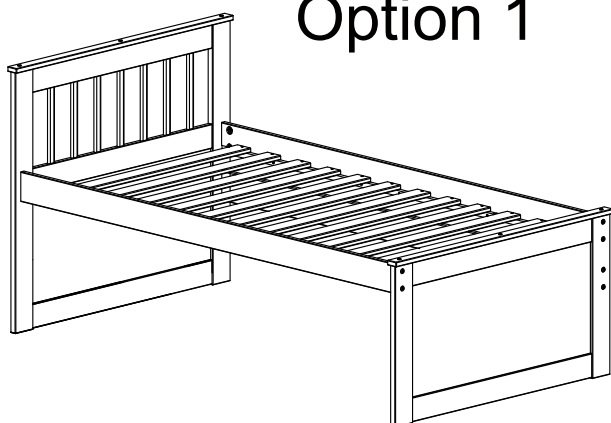
# ASSEMBLY INSTRUCTIONS

4



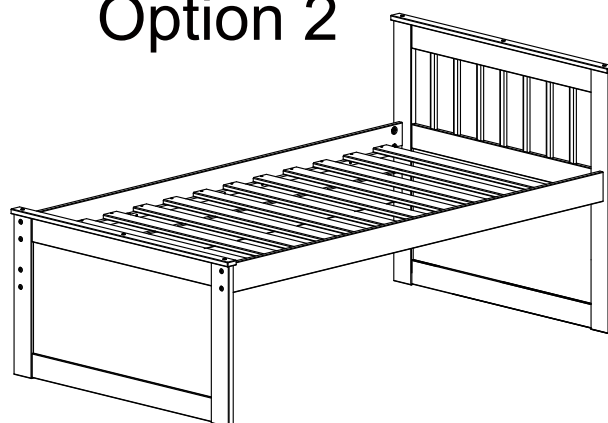
A.

Option 1



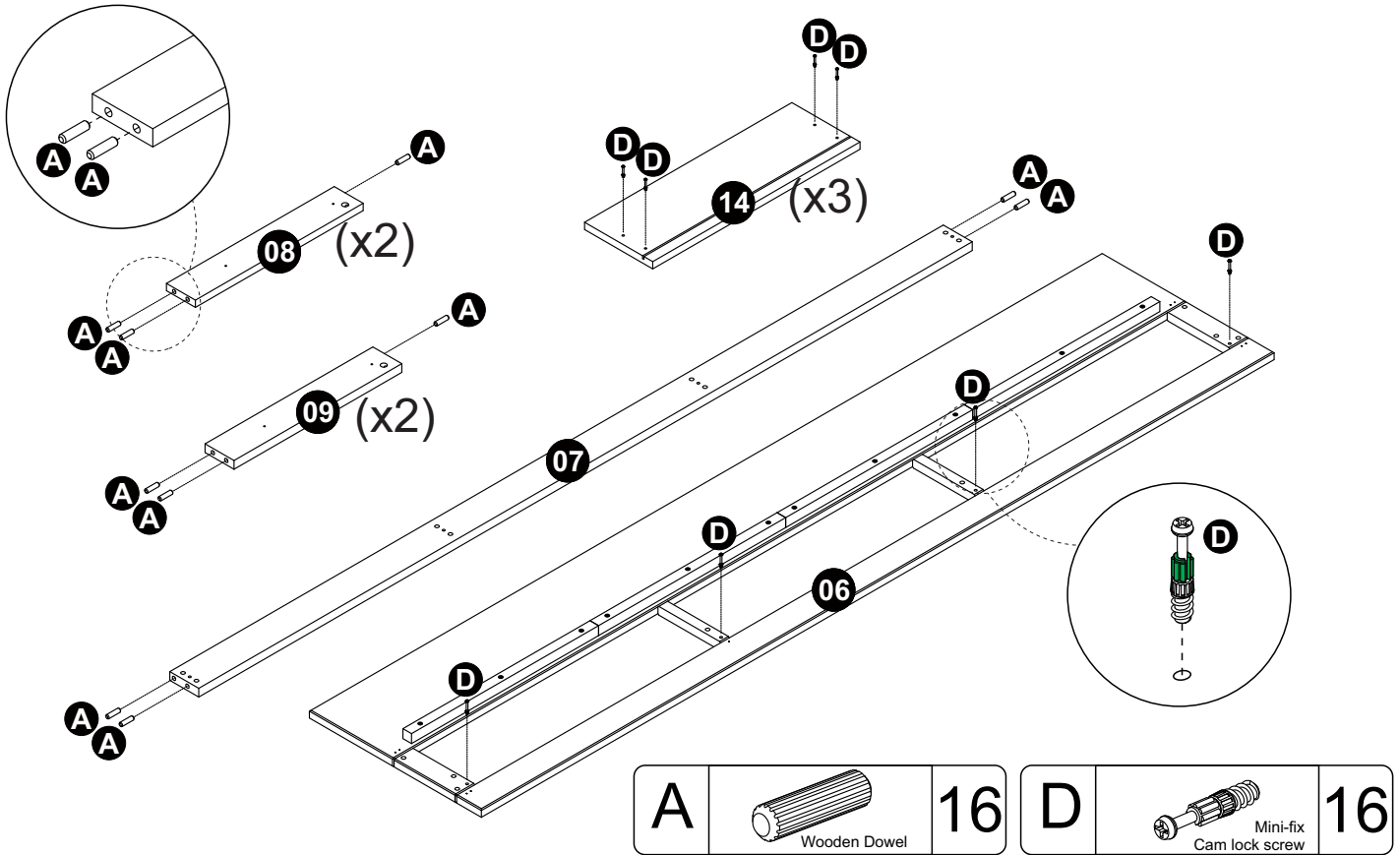
B.

Option 2

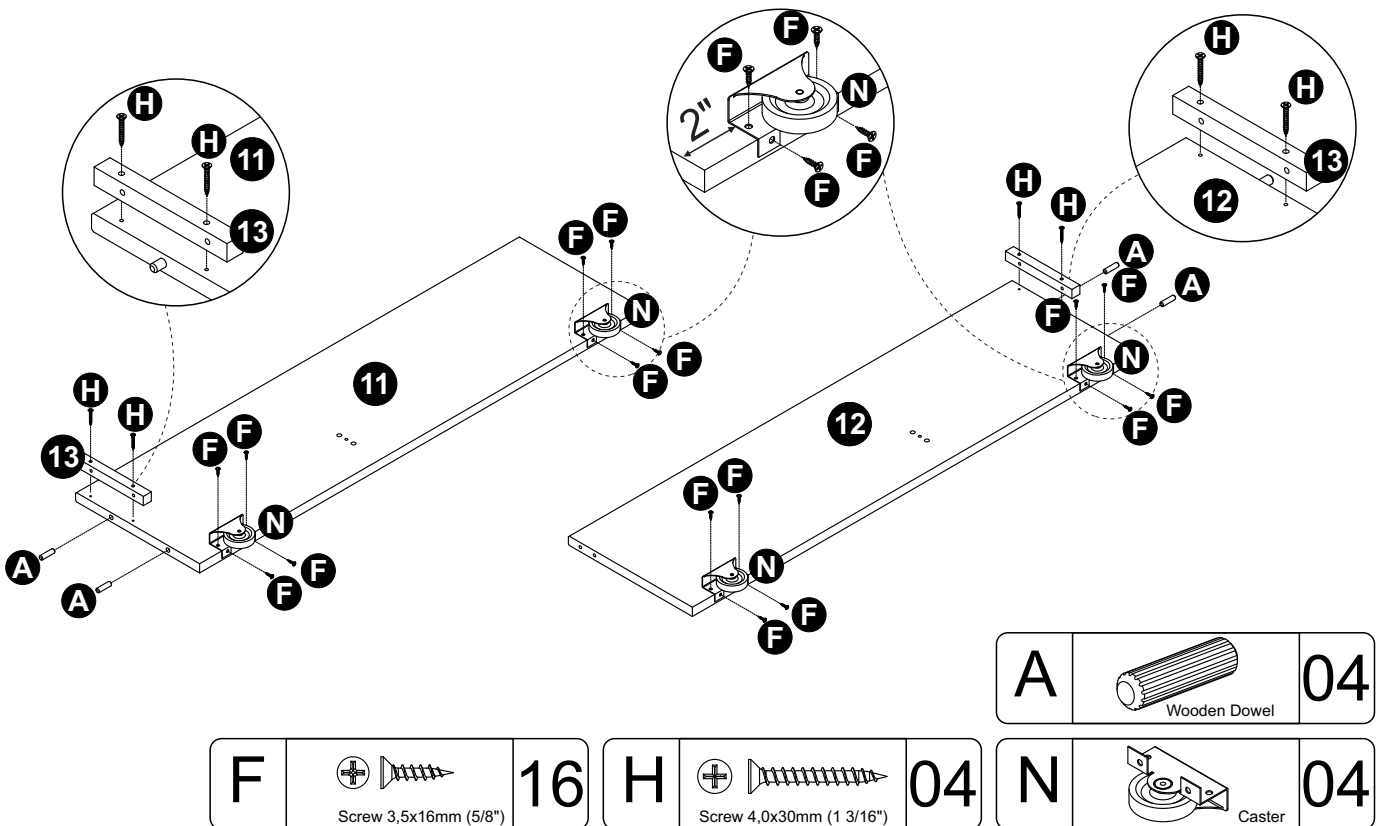


# ASSEMBLY INSTRUCTIONS

5

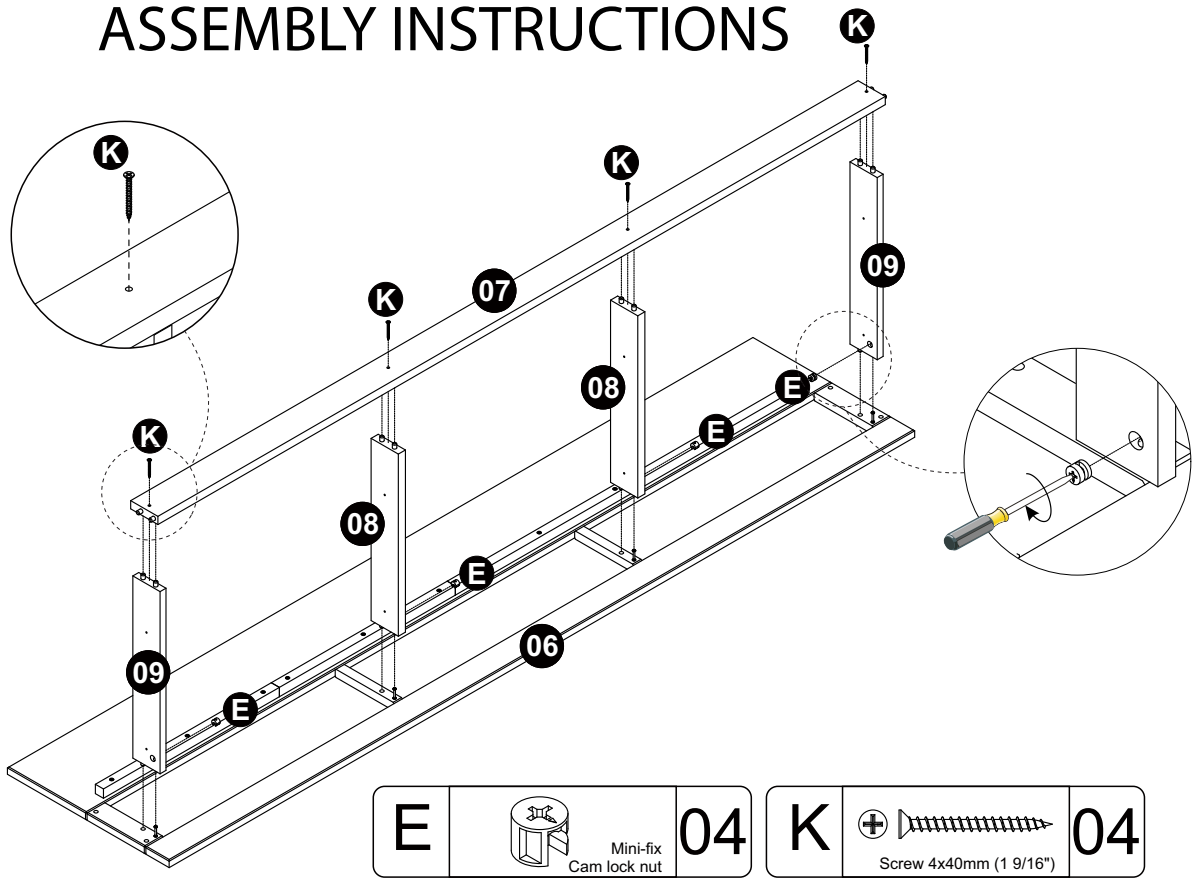


6



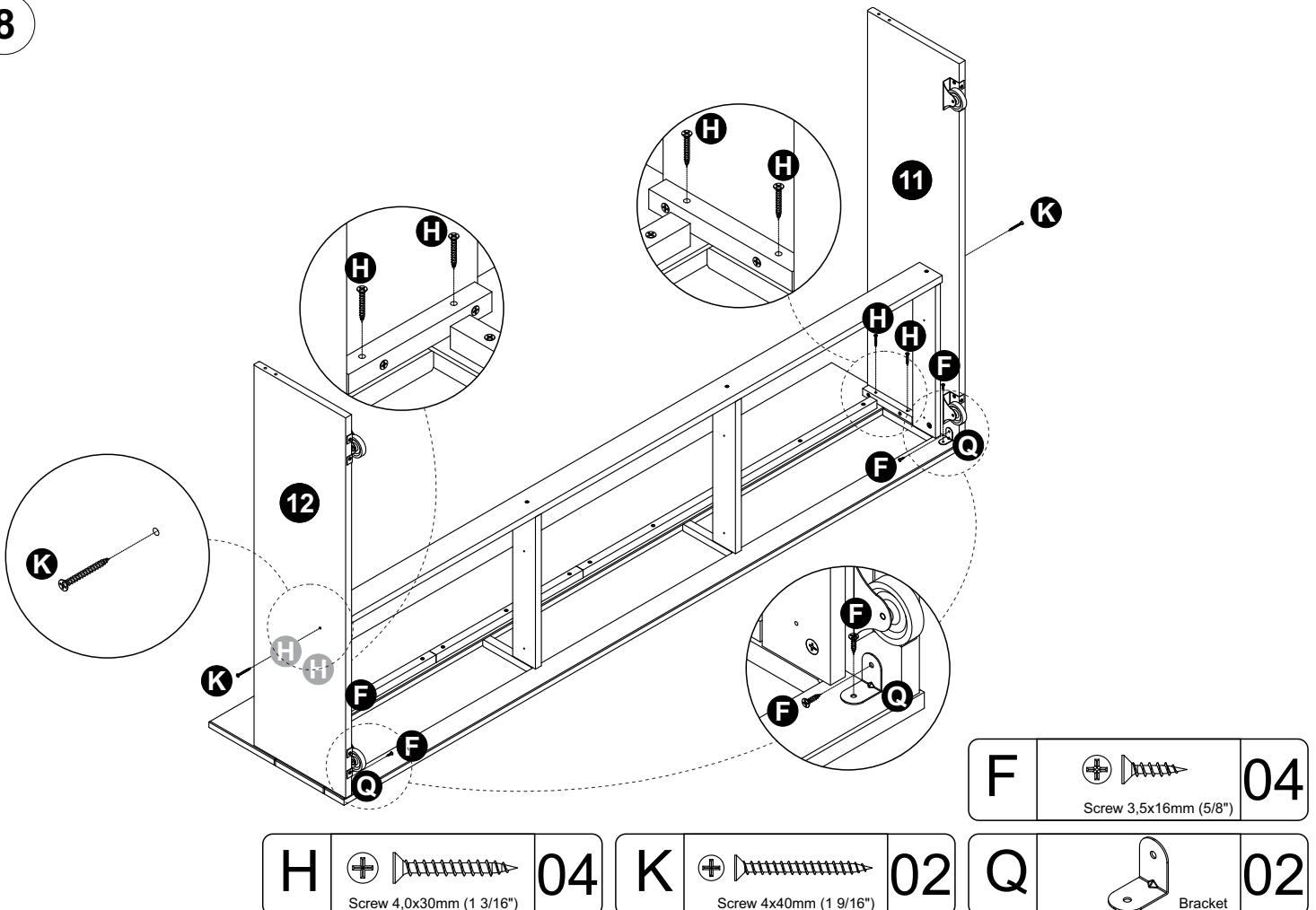
# ASSEMBLY INSTRUCTIONS



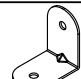
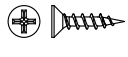
7



|   |  |    |   |  |    |
|---|--|----|---|--|----|
| E | <br>Mini-fix<br>Cam lock nut | 04 | K | <br>Screw 4x40mm (1 9/16") | 04 |
|---|--|----|---|--|----|

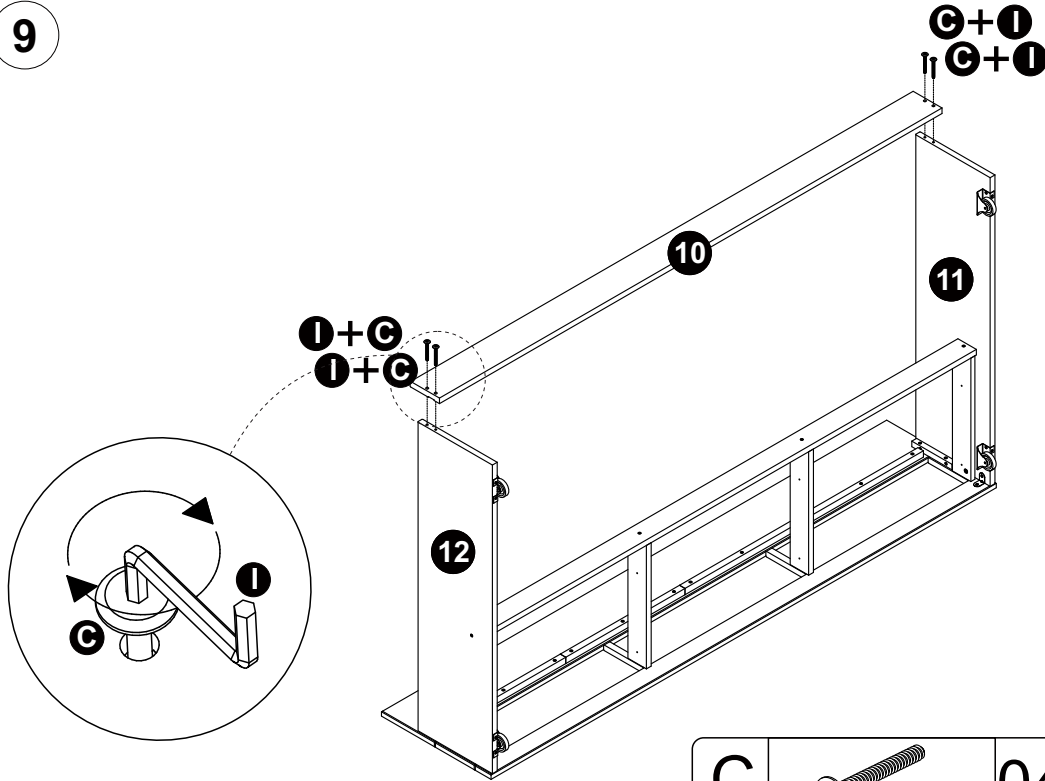
8



|   |   |    |   |  |    |   |  |    |
|---|---|----|---|--|----|---|--|----|
| H | <br>Screw 4,0x30mm (1 3/16") | 04 | K | <br>Screw 4x40mm (1 9/16") | 02 | Q | <br>Bracket | 02 |
| F | <br>Screw 3,5x16mm (5/8")  | 04 |   |  |    |   |  |    |

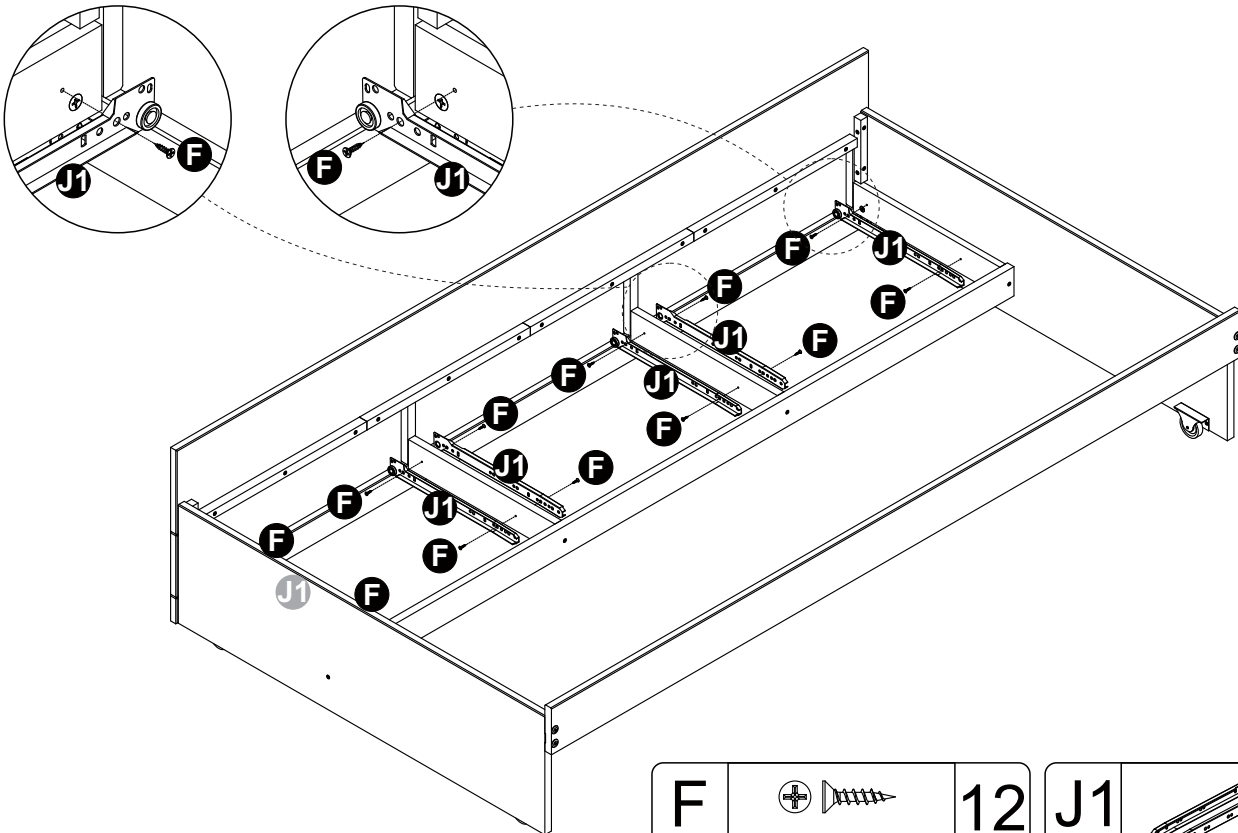
# ASSEMBLY INSTRUCTIONS

9



|   |  |    |   |  |    |
|---|--|----|---|--|----|
| C |  | 04 | I |  | 01 |
|---|--|----|---|--|----|

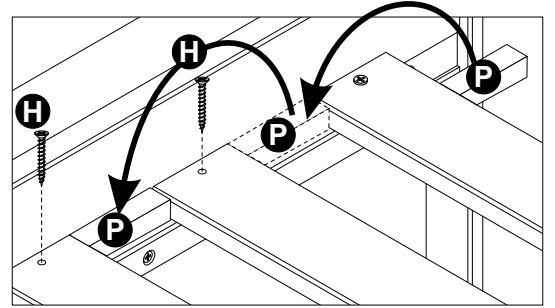
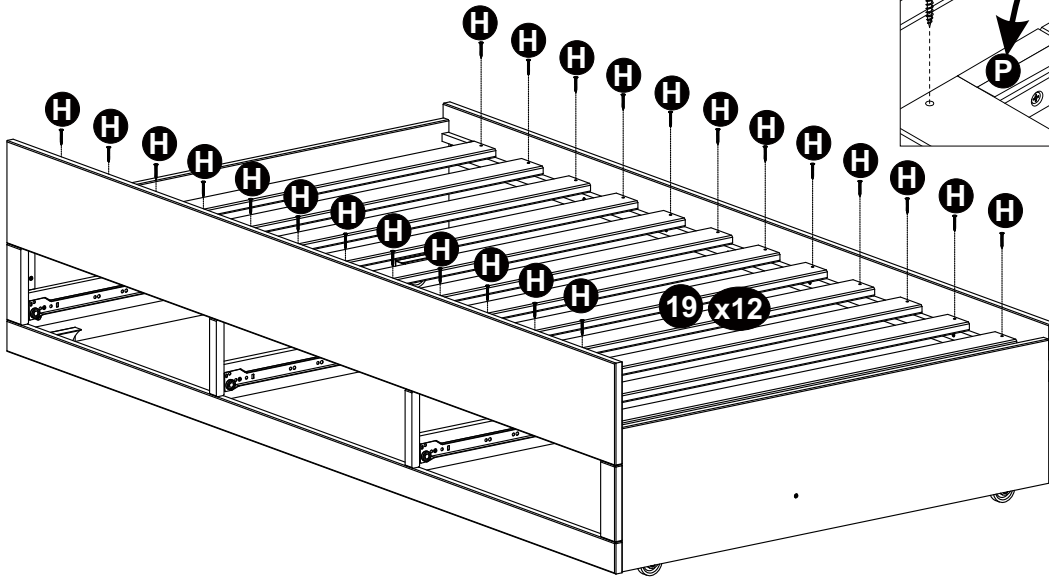
10


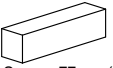


|   |  |    |    |  |    |
|---|--|----|----|--|----|
| F |  | 12 | J1 |  | 03 |
|---|--|----|----|--|----|

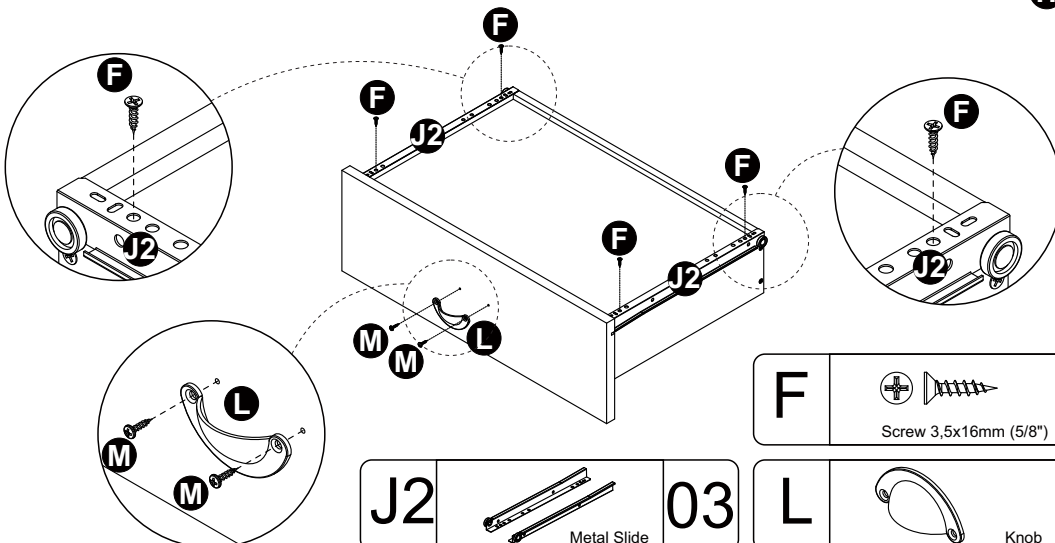
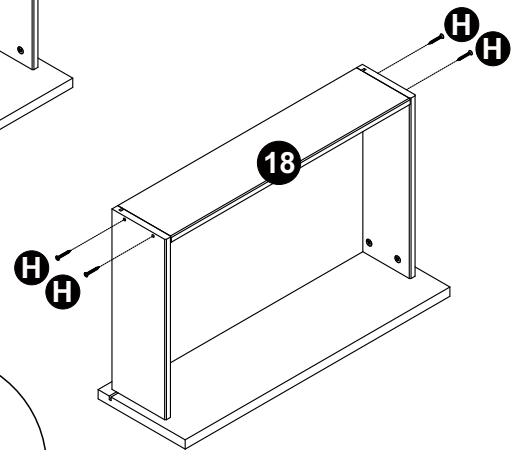
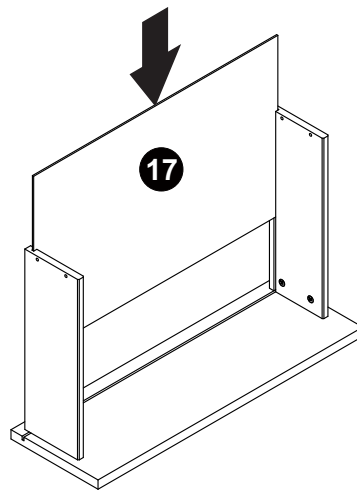
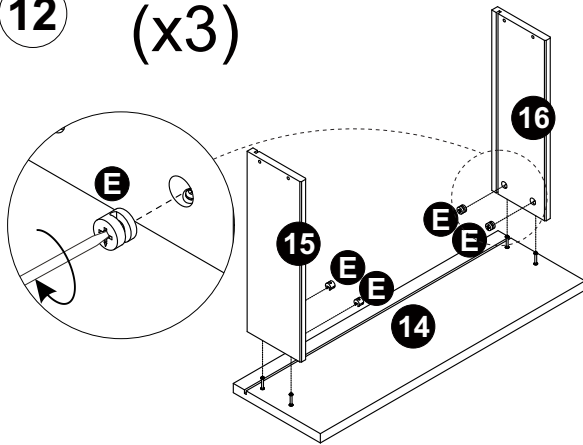
# ASSEMBLY INSTRUCTIONS







11



|   |   |                          |    |
|---|---|--------------------------|----|
| H |  | Screw 4,0x30mm (1 3/16") | 24 |
| P |  | Spacer 77mm (3 1/32")    | 01 |

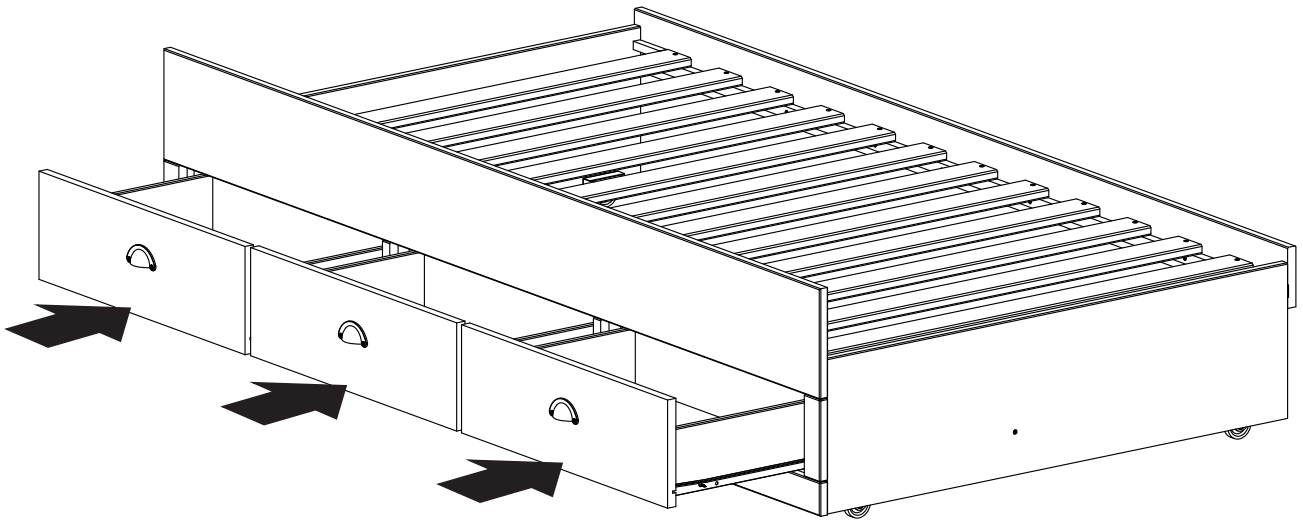
12 (x3)



|    |   |                          |    |
|----|---|--------------------------|----|
| E  |  | Mini-fix Cam lock nut    | 12 |
| F  |    | Screw 3,5x16mm (5/8")    | 12 |
| H  |  | Screw 4,0x30mm (1 3/16") | 12 |
| J2 |    | Metal Slide              | 03 |
| L  |    | Knob                     | 03 |
| M  |  | Screw 3,5x16mm (5/8")    | 06 |

# ASSEMBLY INSTRUCTIONS

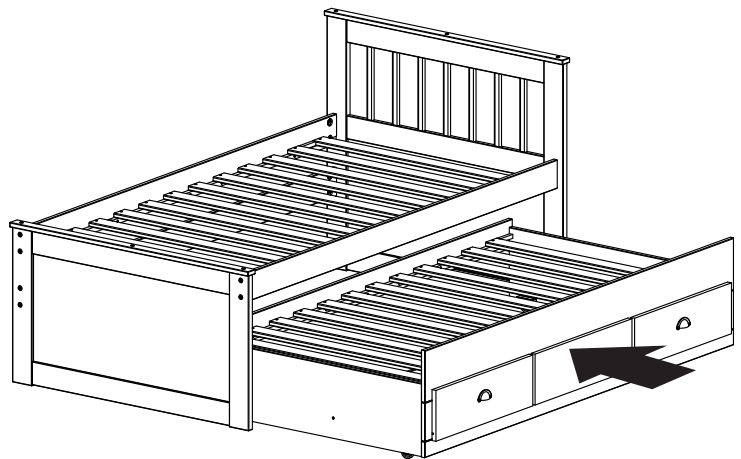
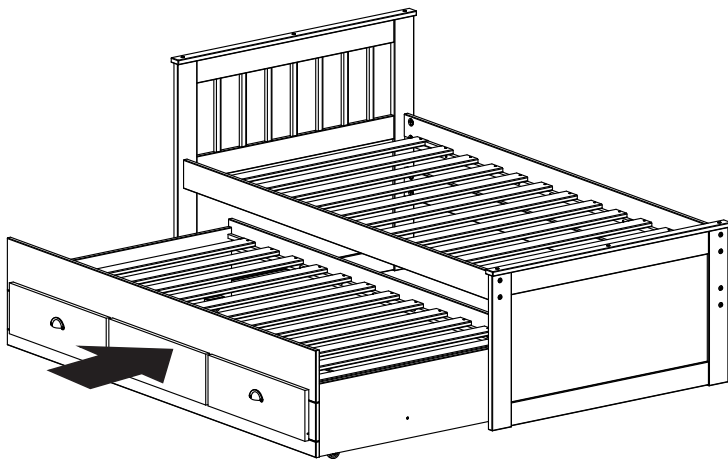
13



14

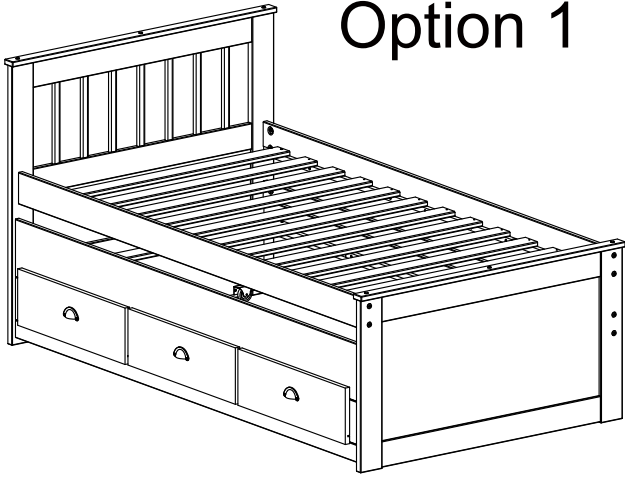
Option 1

Option 2

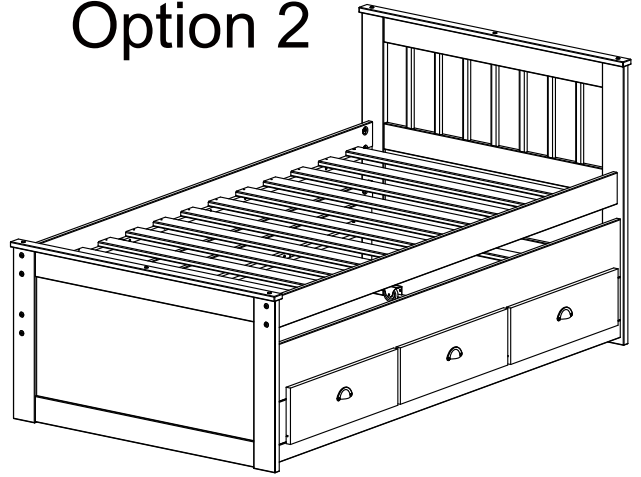


# ASSEMBLY COMPLETE

Option 1



Option 2



**CONGRATULATIONS, YOUR CAPTAIN'S BED IS COMPLETE**