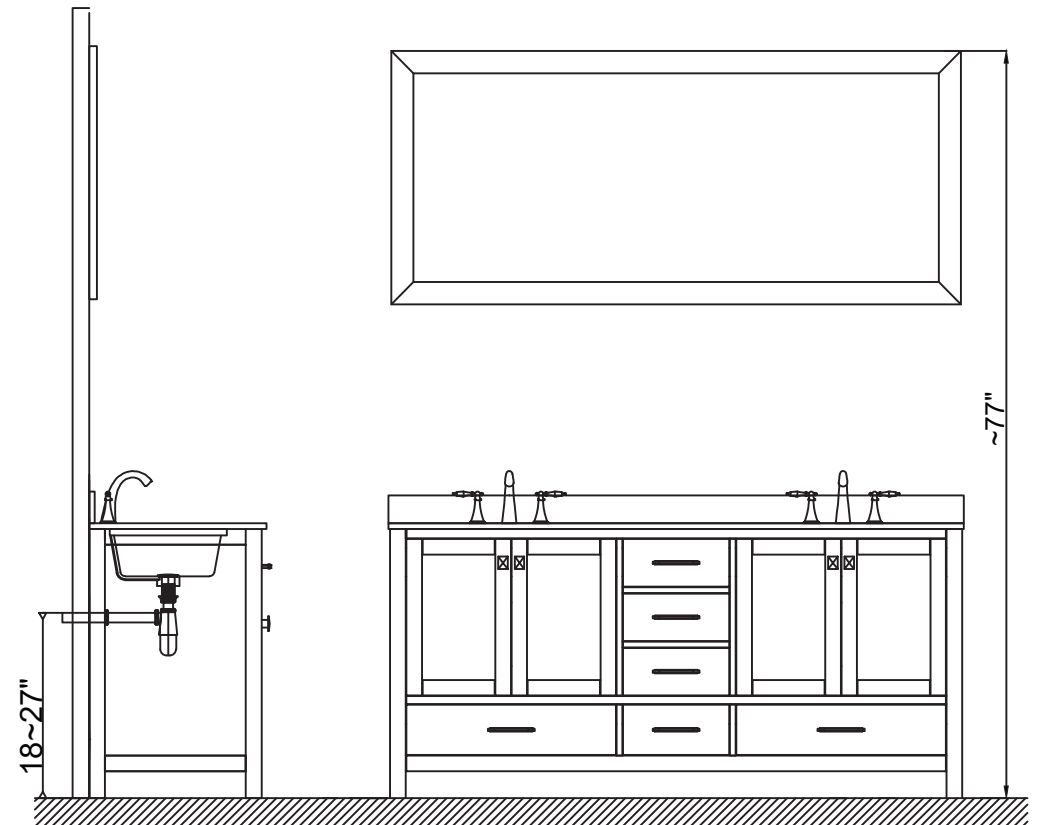


# INSTALLATION GUIDE

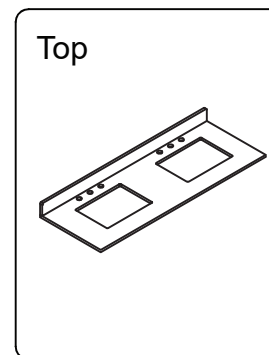
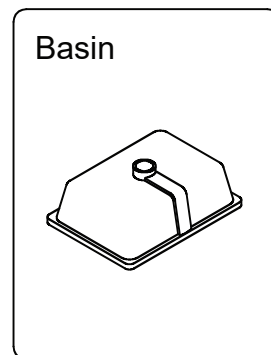
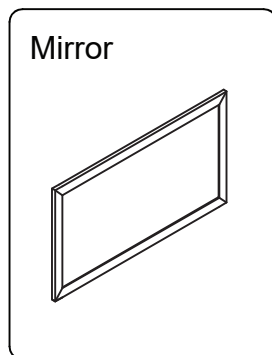
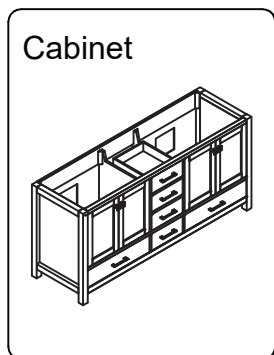
Prior to installation, please check the items you have received against the packaging list. Report any missing items to your local dealer immediately.

Protect all surfaces from sharp objects, high heat sources, direct prolonged sunlight, and chemical hazards.

PROFESSIONAL INSTALLATION IS RECOMMENDED

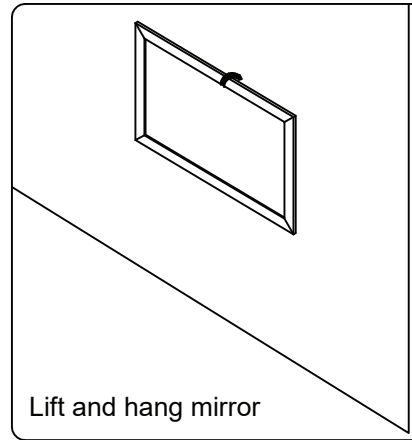
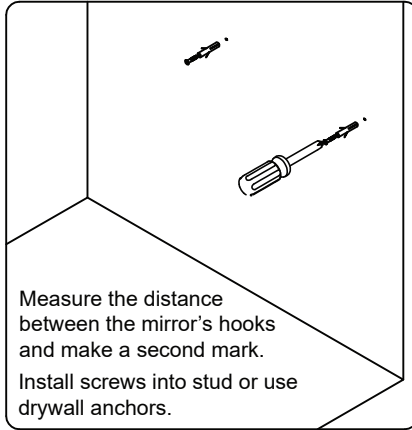
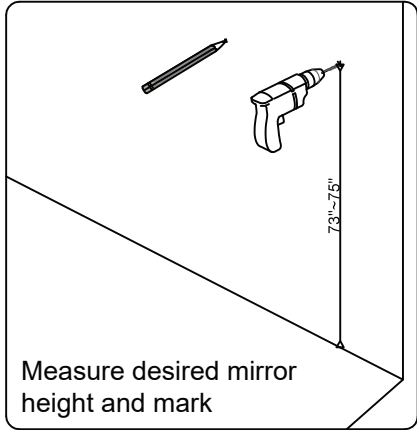


## PARTS LIST (may differ depending on purchase)

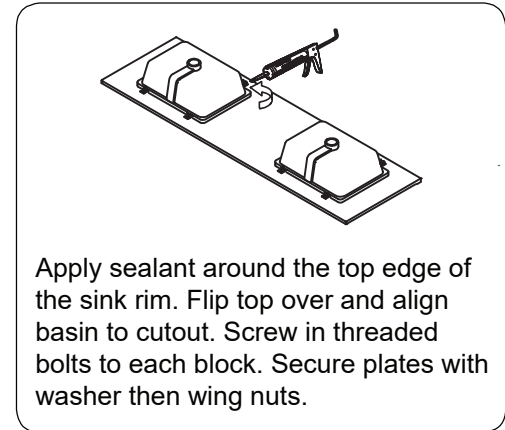


# INSTALLATION GUIDE

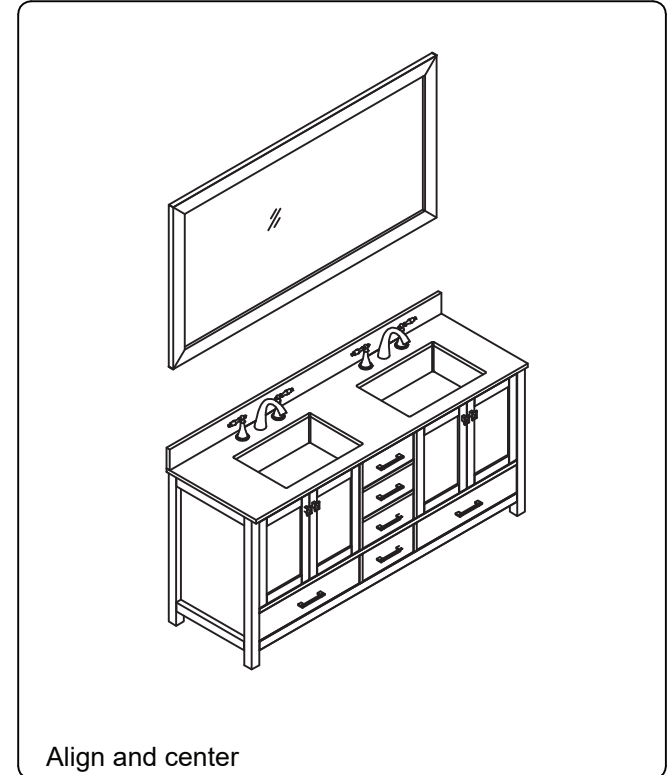
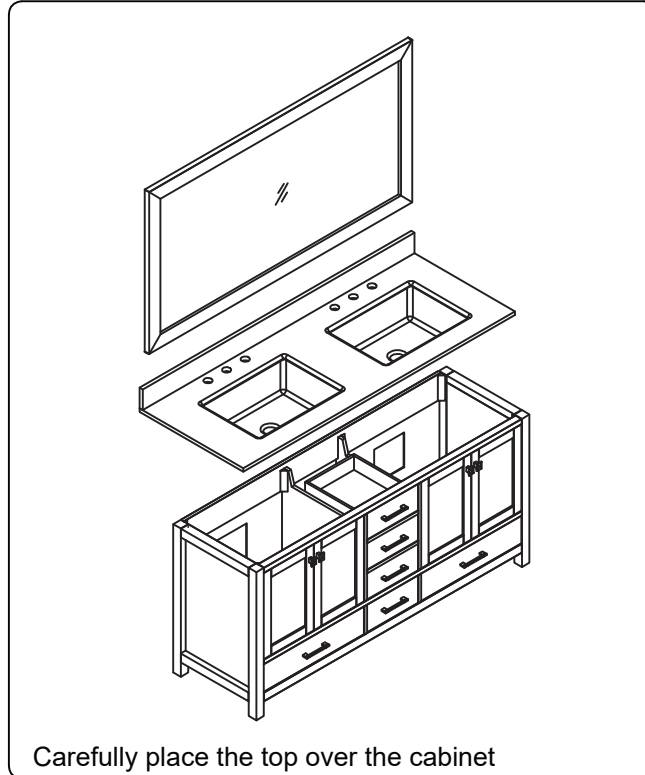
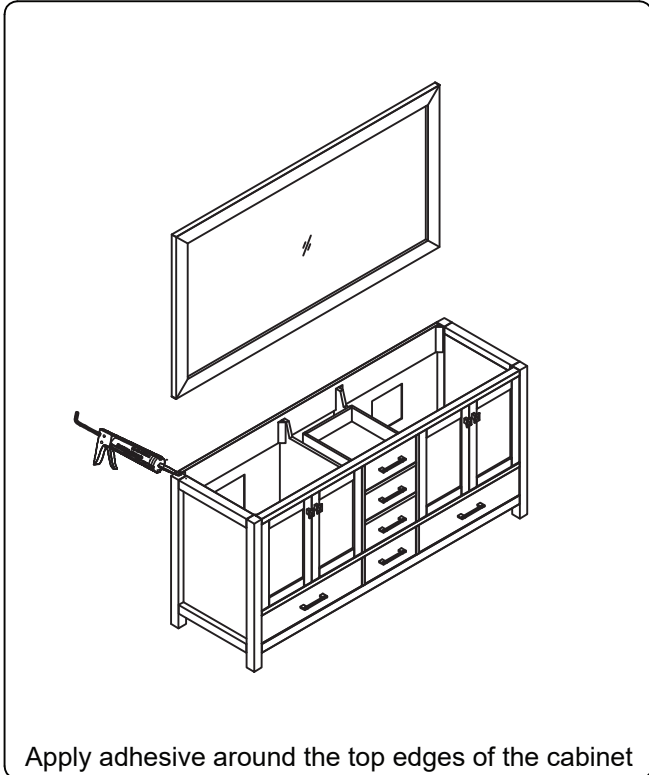
## Mirror Installation



## Basin Installation

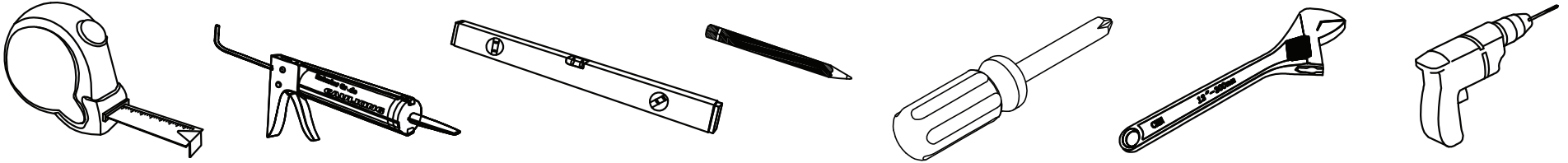


## Top Installation

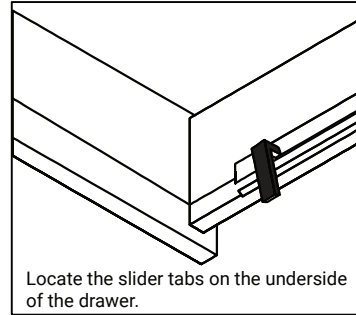
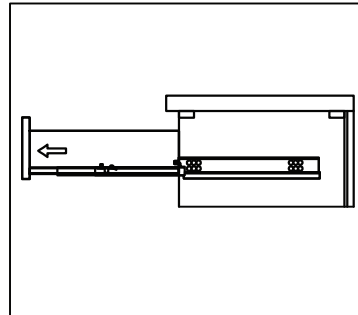
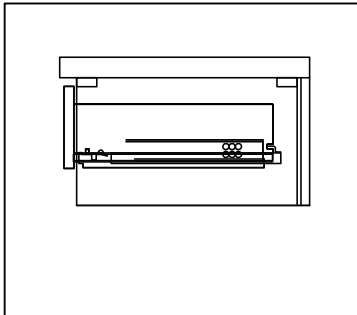


# INSTALLATION GUIDE

## REQUIRED TOOLS



## DRAWER REMOVAL



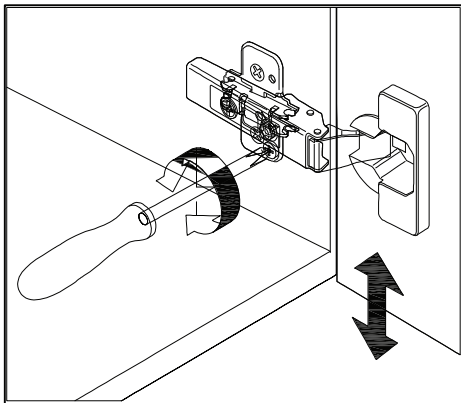
### REMOVAL

1. Pull tabs toward center
2. Lift and pull drawer out

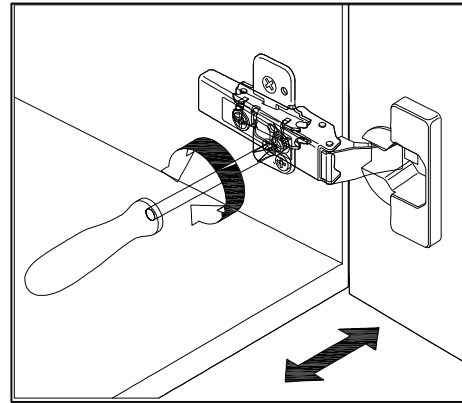
### RE-INSTALL

1. Align drawer hole with slider stud
2. Push tabs back in to secure

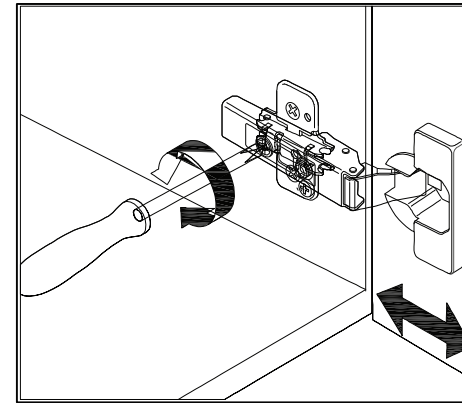
## DOOR ADJUSTMENT



Adjusts the door vertically



Adjusts the door horizontally



Adjusts the door forward and backwards