

Installation Manual of Bed

King Size

Dear Valued Customer:

Thank you for choosing our brand and purchasing our bed frame!

We are thrilled to have earned your trust and we want to ensure that you are completely satisfied with your purchase. To help you get the most out of your new bed frame, we would like to share some useful tips on cleaning and maintenance.

When cleaning your bed frame, we recommend using a soft, slightly moist cloth. Avoid using corrosive detergents, wire brushes, abrasive scourers, or any sharp metal objects as they may damage the product.

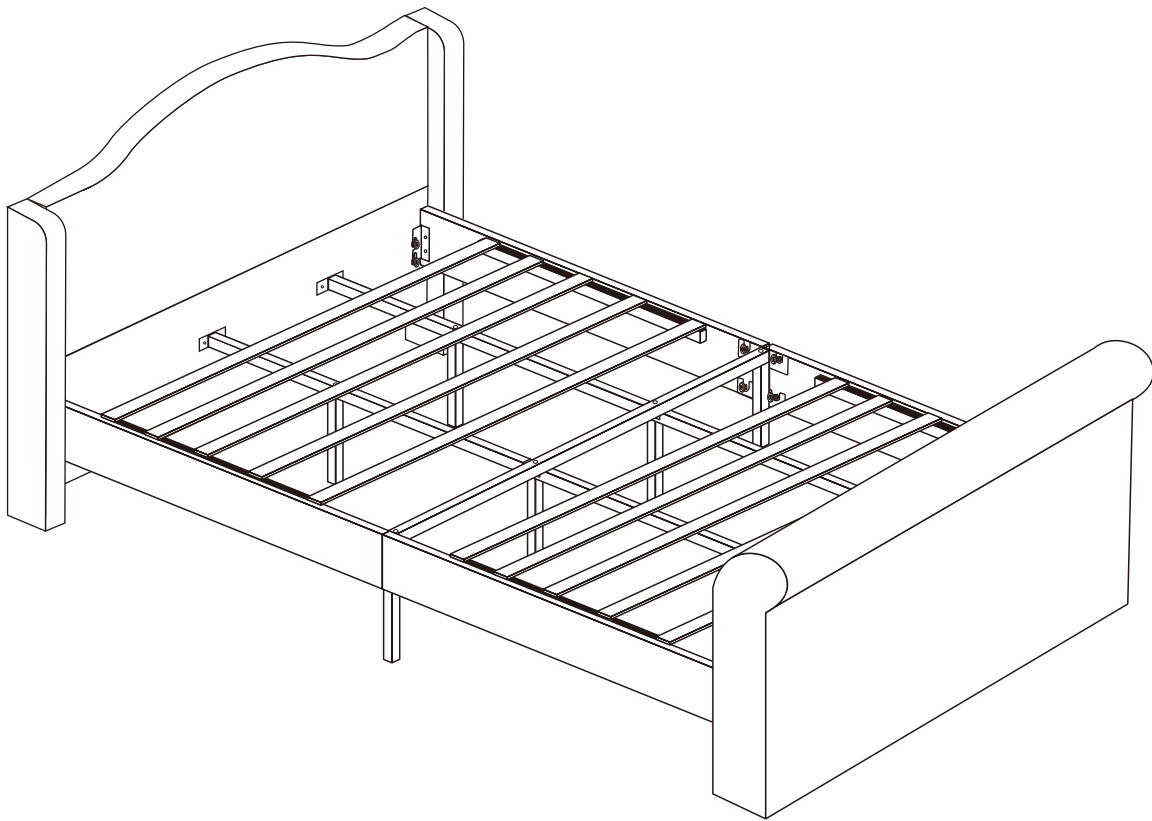
Additionally, we recommend checking the components of the bed frame regularly to ensure that all screws are tightened and the frame remains stable.

Installing the bed frame is a simple process. Please refer to the detailed instructions in the manual for step-by-step guidance.

Customer satisfaction is our top priority and we are committed to providing you with the best service and high-quality products. If you have any questions or concerns regarding your bed frame, please don't hesitate to contact our customer service team at email. We are here to help you and resolve any issues you may have. To solve your problem faster, please note the following information in the email.

Once again, we would like to express our gratitude to you for choosing our product. Your trust and support mean the world to us. We look forward to continuing to provide you with the best products and services possible.

Best Regards,
Customer Service Team

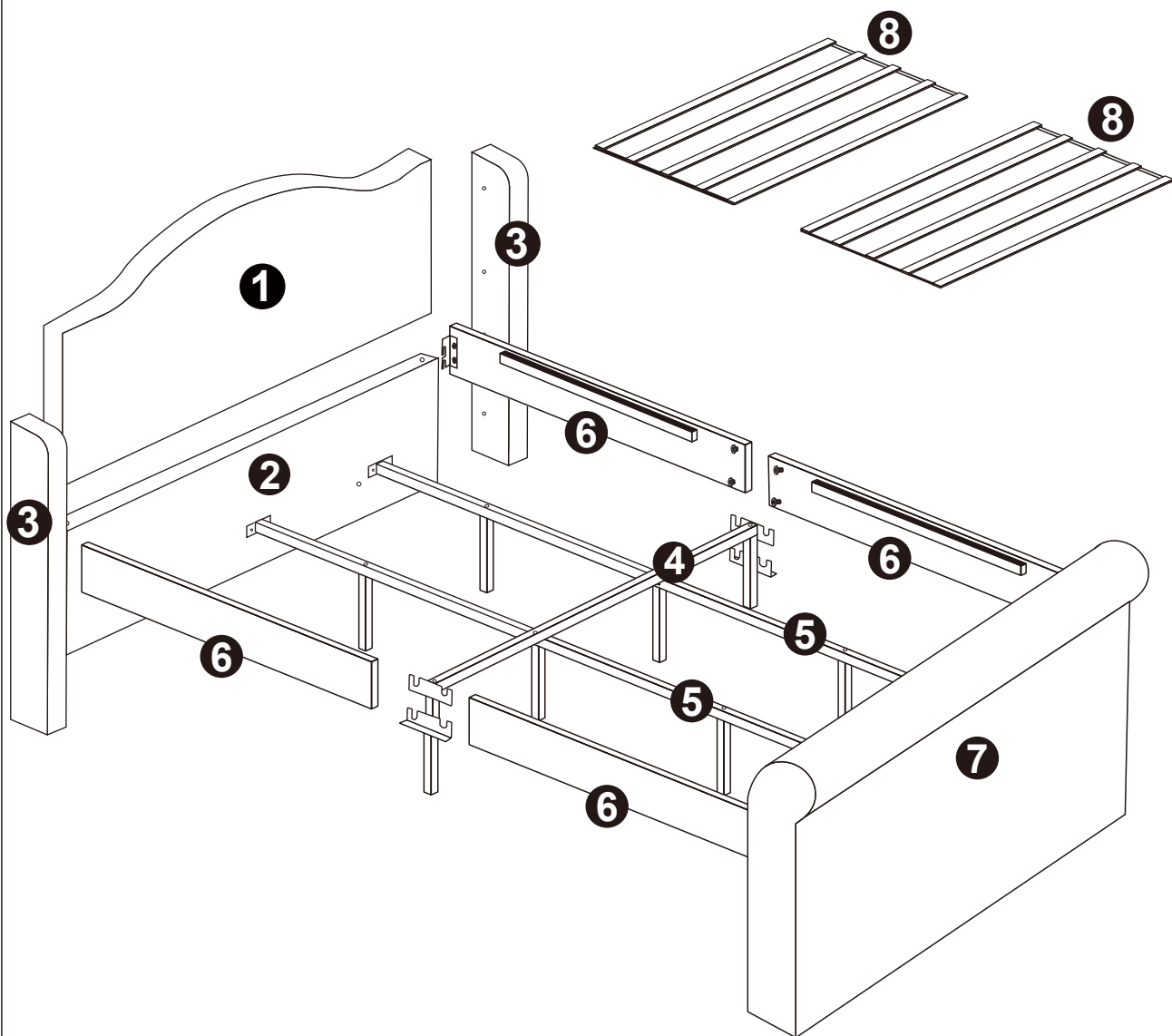


IMPORTANT NOTE

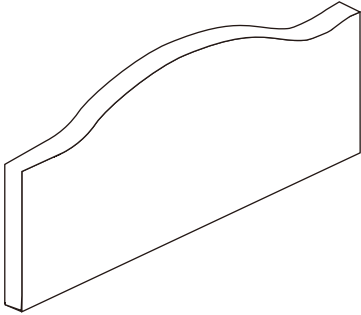
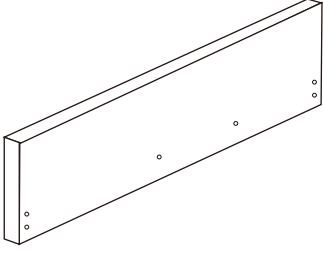
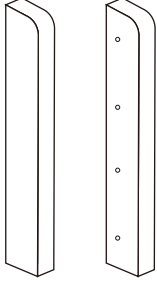
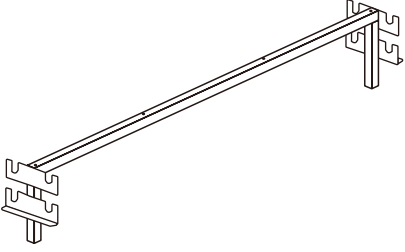
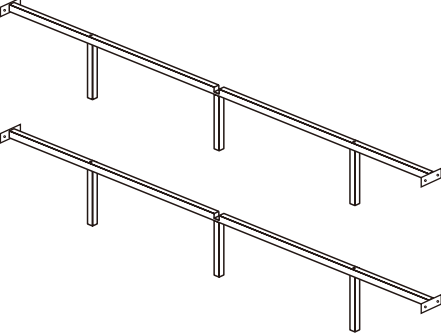
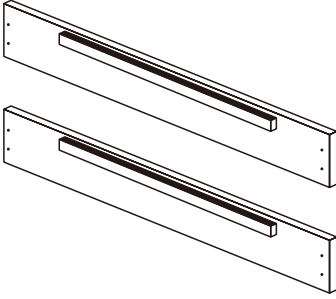
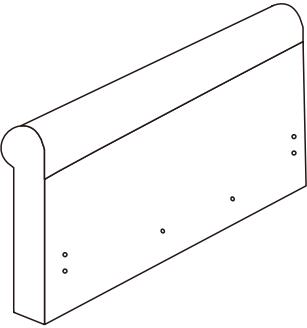
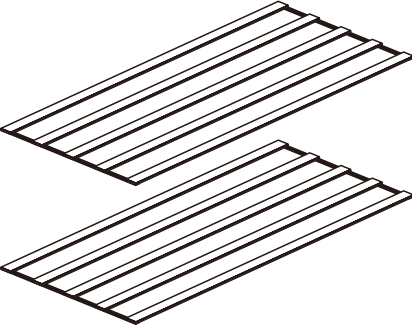
1. Please check that all parts are complete before installation.
2. Please strictly follow the installation steps to install.
3. Please install the bed on a clean and smooth surface to prevent any damage.
4. Please don't sit/stand/lie on the slats until the mattress is in place.
5. Please periodically check all the fittings and re-tighten as necessary.
6. Please do not use the bed unless all bolts and screw are firmly secured.
7. Please contact us if you need any help, we will reply you as soon as possible

Important tips:



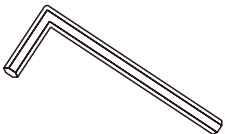
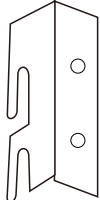
Don't tighten the screws first, make sure all parts are installed before tightening the screws.



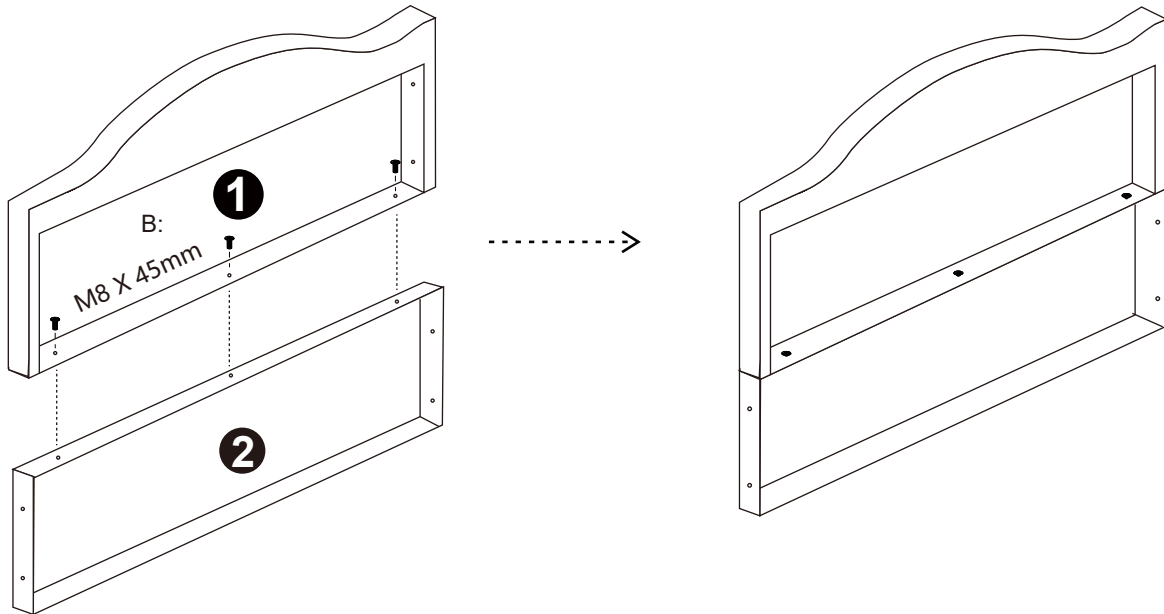
PART LIST

<p>(1) Upper headboard x 1pcs</p> 	<p>(2) Lower headboard x 1pcs</p> 	<p>(3) Wingback x 2pcs</p> 
<p>(4) Transverse center x 2pcs</p> 	<p>(5) Center support bar x 2pcs</p> 	<p>(6) Side panel x 4pcs</p> 
<p>(7) Footboard x 1pcs</p> 	<p>(8) Slat x 2pcs</p> 	

PART LIST

<p>A: Bolt M8x20mm x 32pcs</p>  <p>B: Bolt M8x45mm x 19pcs</p>  <p>Bolt M8x20mm Spare parts x 1pcs Bolt M8x45mm Spare parts x 1pcs</p>	<p>C: (H5) Allen Key M8 x1pc (Installation tool)</p> 	<p>D: Gasket</p> 
------------------------------------------------------------------------------------------------------------------------------------------------------------------------------------------------------------------------------------------------------------------------------------------------------------------	----------------------------------------------------------------------------------------------------------------------------------------------	--------------------------------------------------------------------------------------------------------

Step 1 Join the upper headboard (1) and the lower headboard (2) together, and then tighten with (M8 X 40MM) screws.

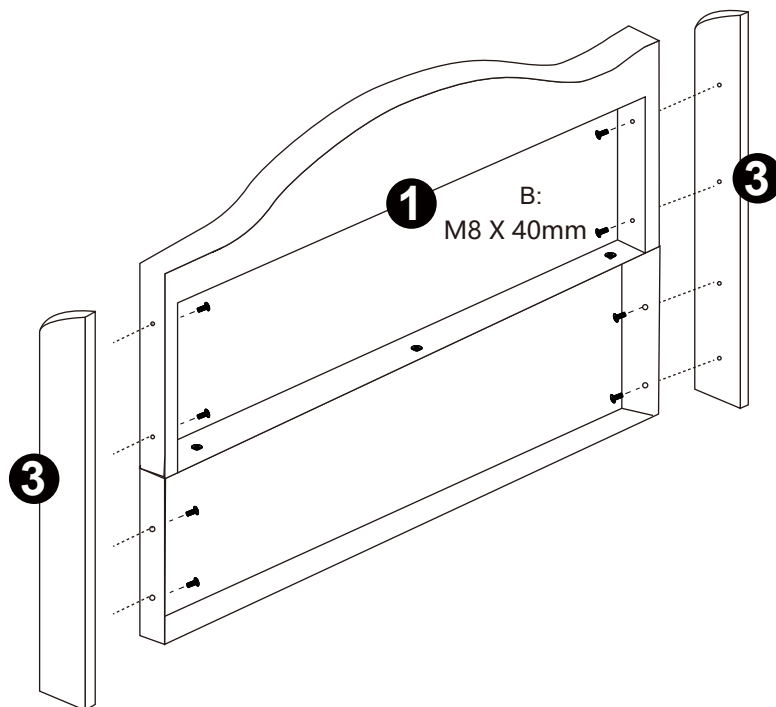


M8 X 45mm



X 3

Step 2 Connect the wingback (3) and the upper headboard (1), then tighten with (M8 X 45MM) screws from the inside.

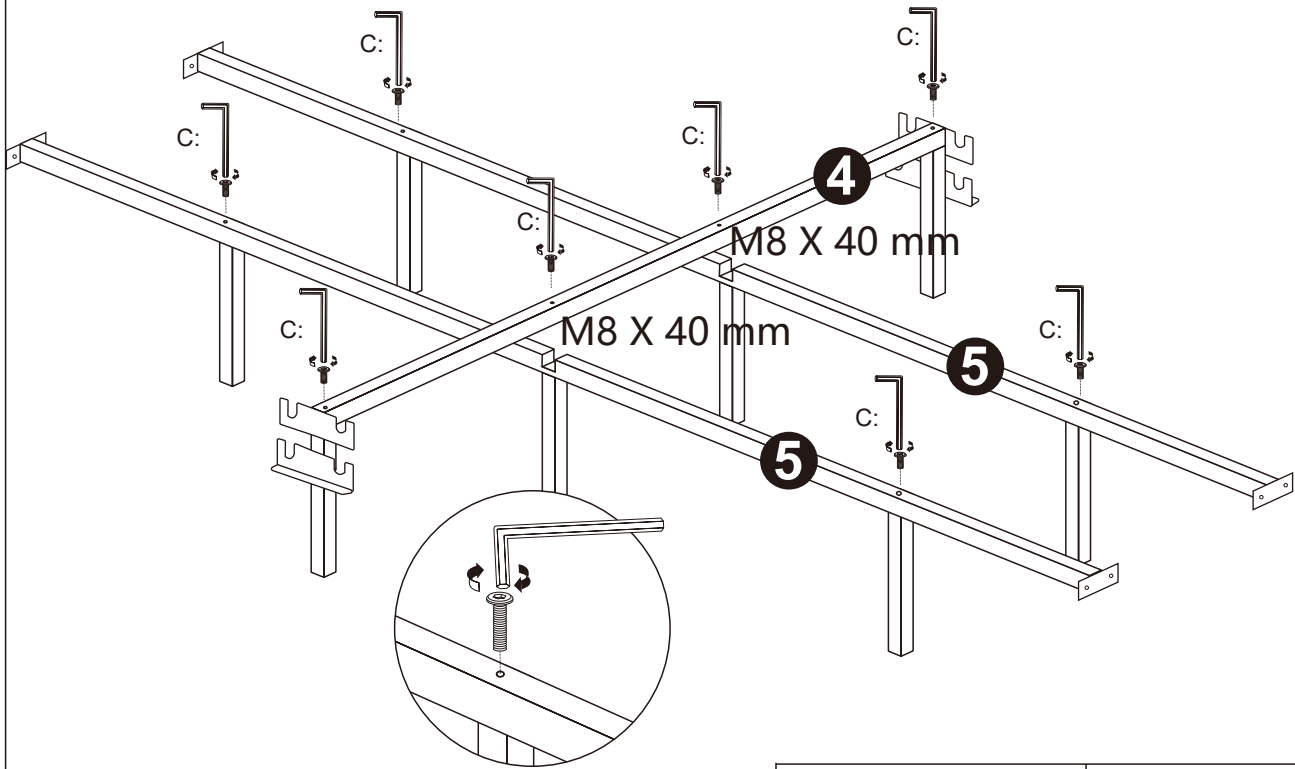


M8 X 40mm



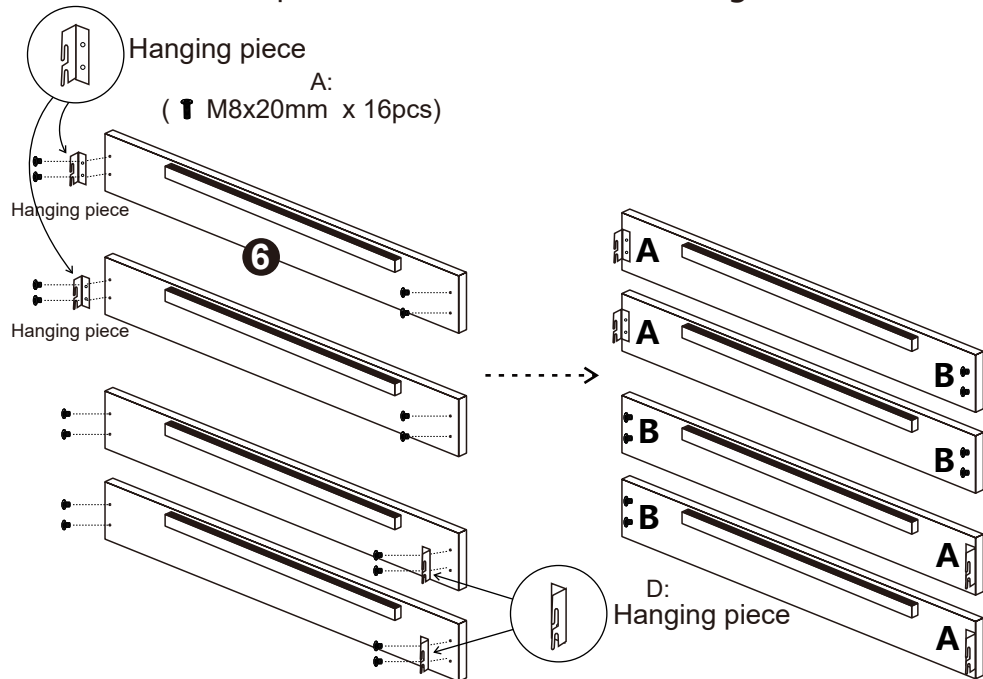
X 8



Step 3 Unfold part (4) and part (5), place part (4) on top of part (5), and tighten the corresponding screws.



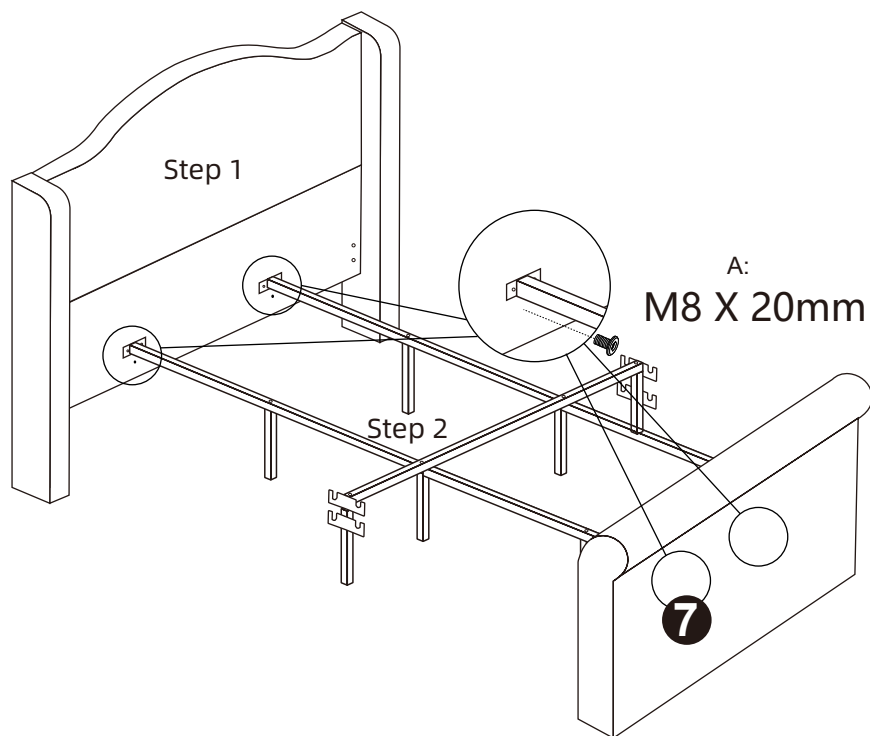
M8 X 40 mm		X 8
------------	---------------------------------------------------------------------------------------	-----

Step 4 The two bed side panels have (Gasket) on the left and screws on the right, and the other two bed side panels have (Gasket) on the right and screws on the left.



Gasket		X 4
M8 X 20mm		X 16

Step 5 Assemble the assembled parts in steps (1), (2) as shown in the figure below and tighten with (M8 X20mm) screws.

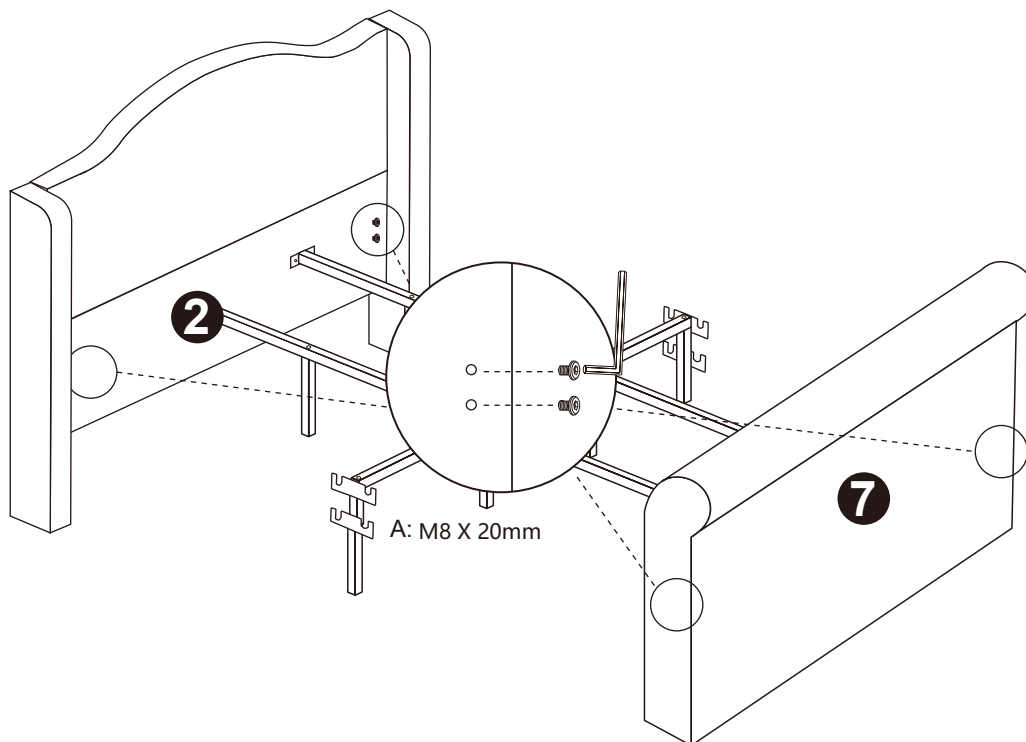


M8 X 20mm



X 4

Step 6 Install the screws in the corresponding holes as shown in the picture. Do not tighten them for now.

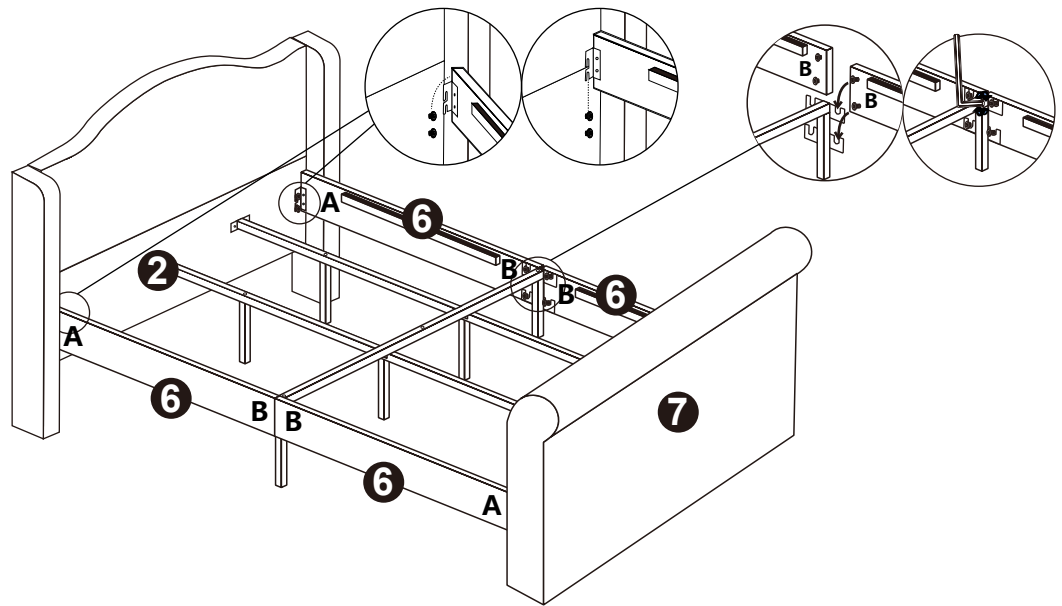


M8 X 20mm

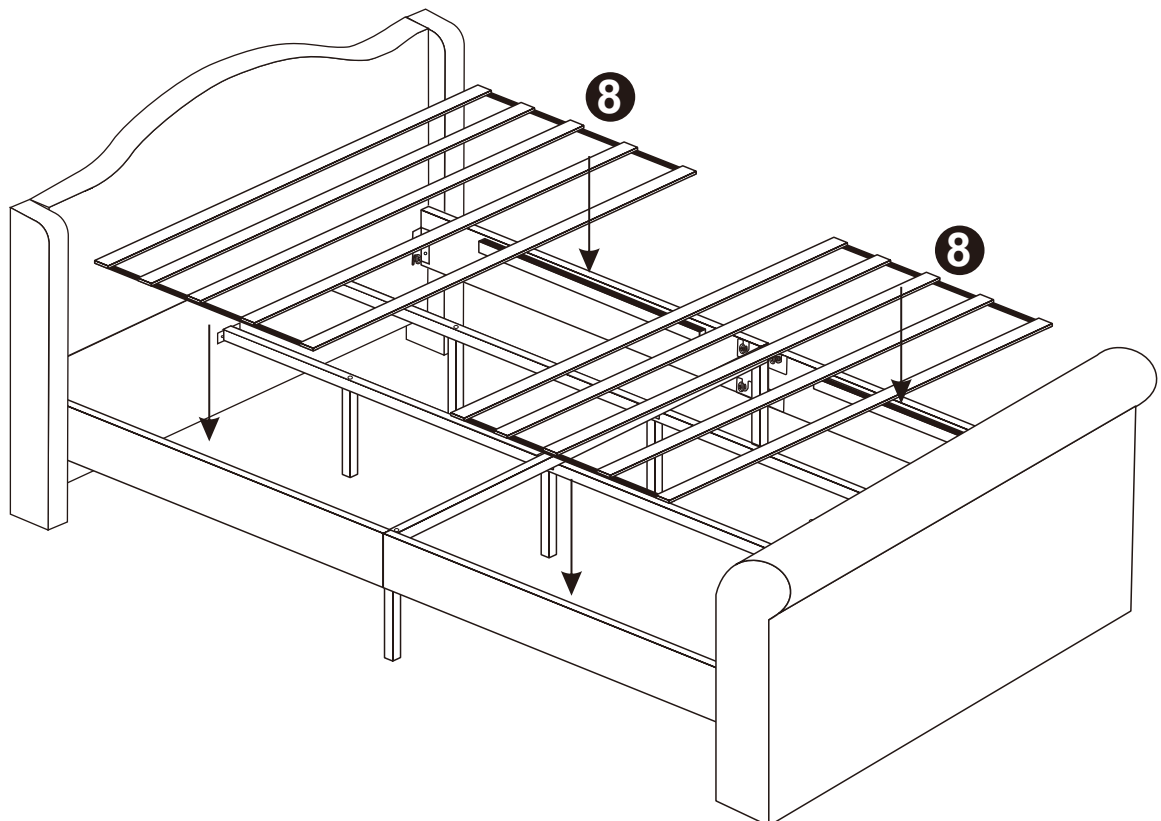


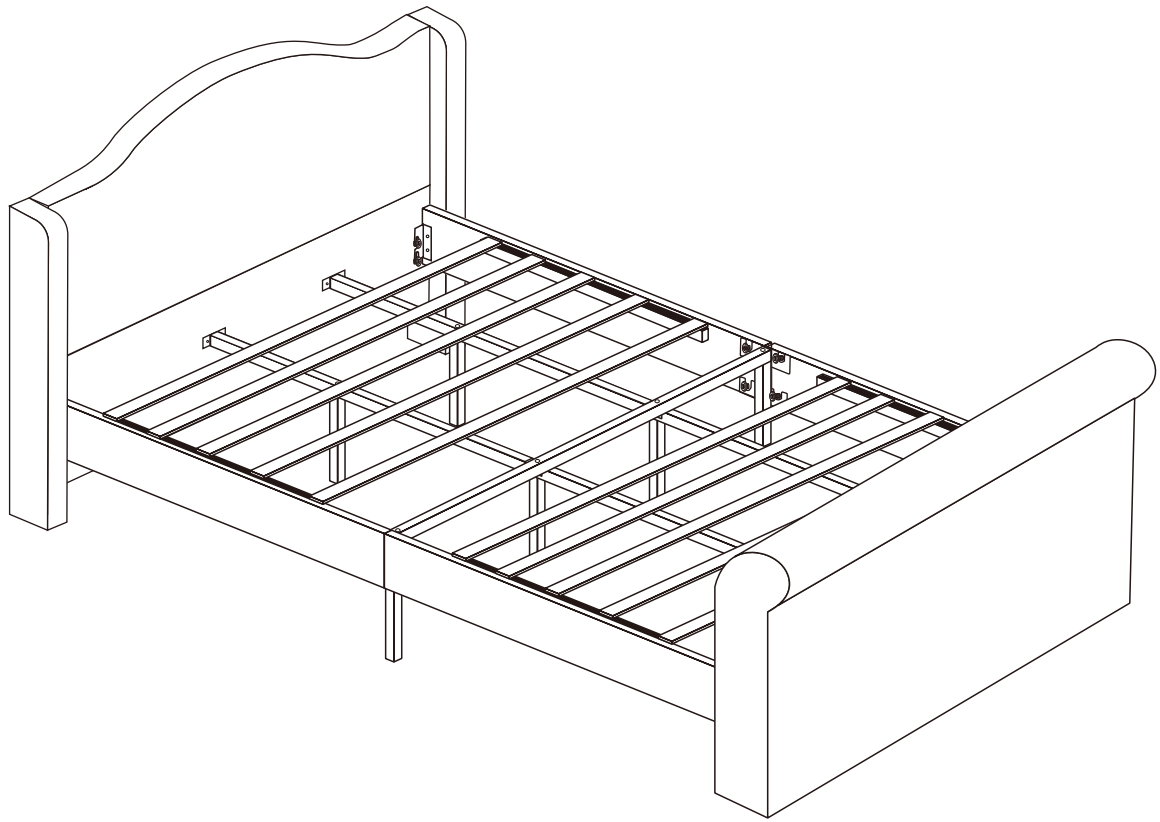
X 8

Step 7 After the headboard is installed, lock the hanging piece at position A on the side of the bed. Slightly tilt the hanging piece at position A to catch the screw of the headboard, straighten it and press to lock. After the headboard is connected, screw the screw at position B onto the hanging piece of the iron part.



Step 8 Tighten all screws and place the slats (9) on.





Job complete!

In the interest of our environment, please dispose
of all packaging thoughtfully, thanks!