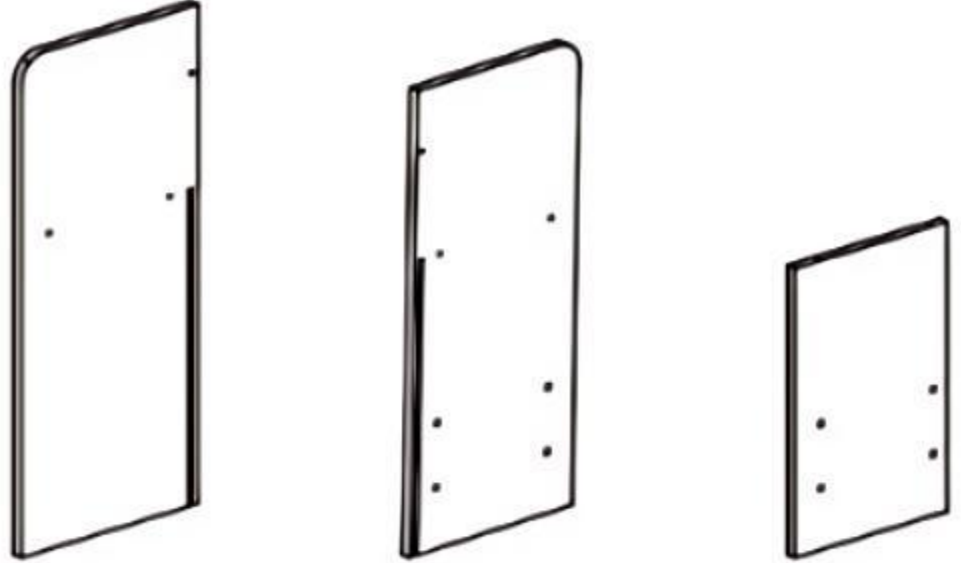
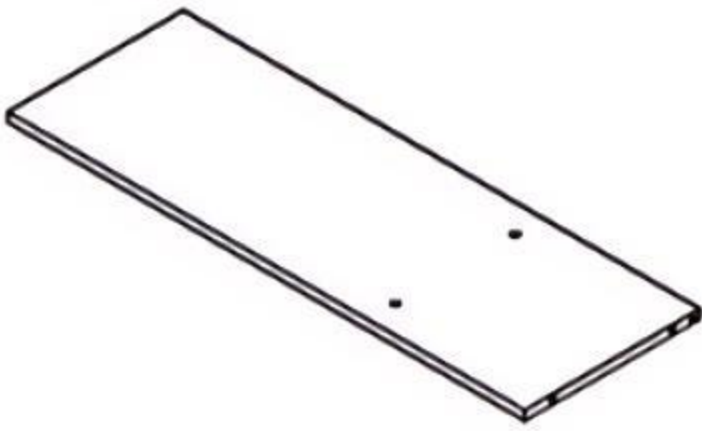

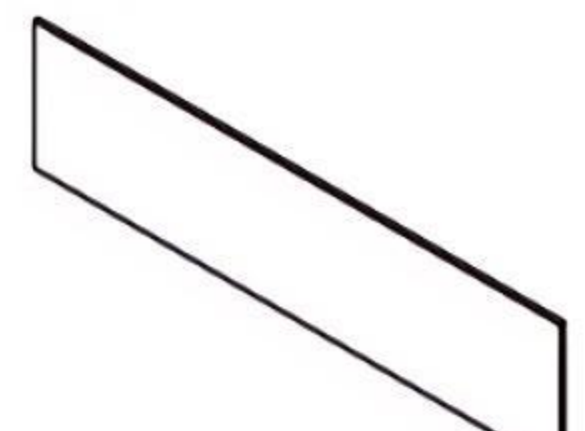
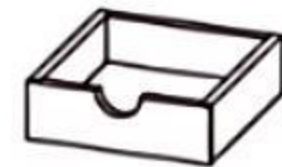
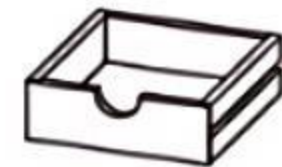
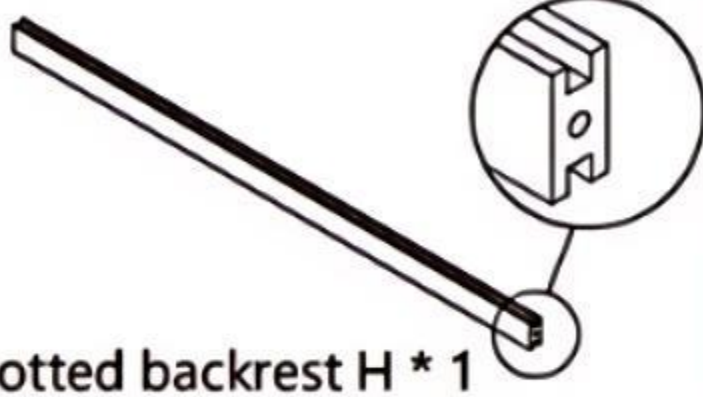
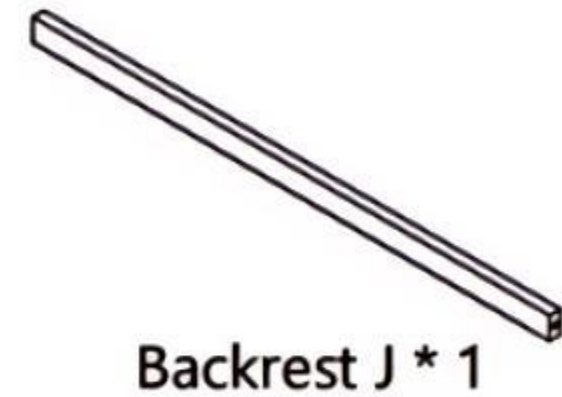
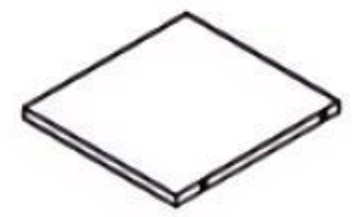



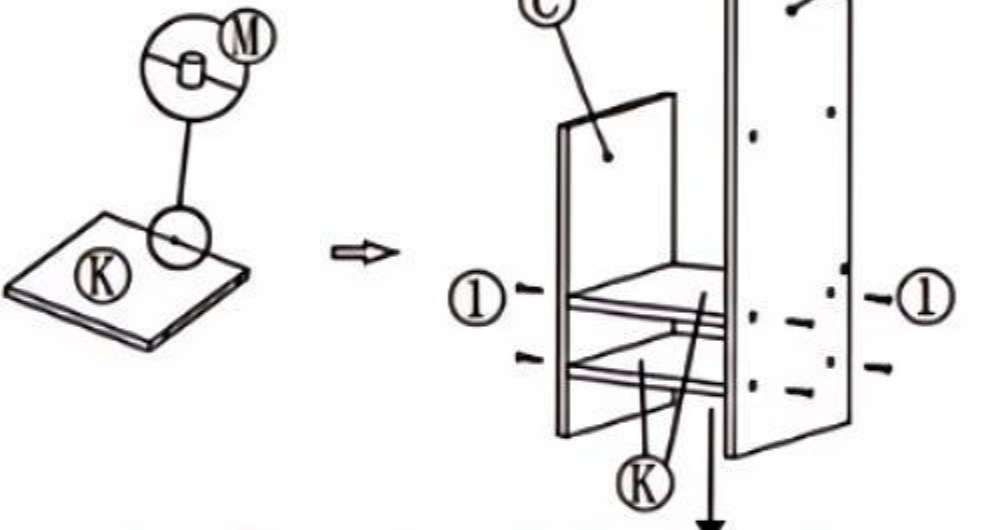
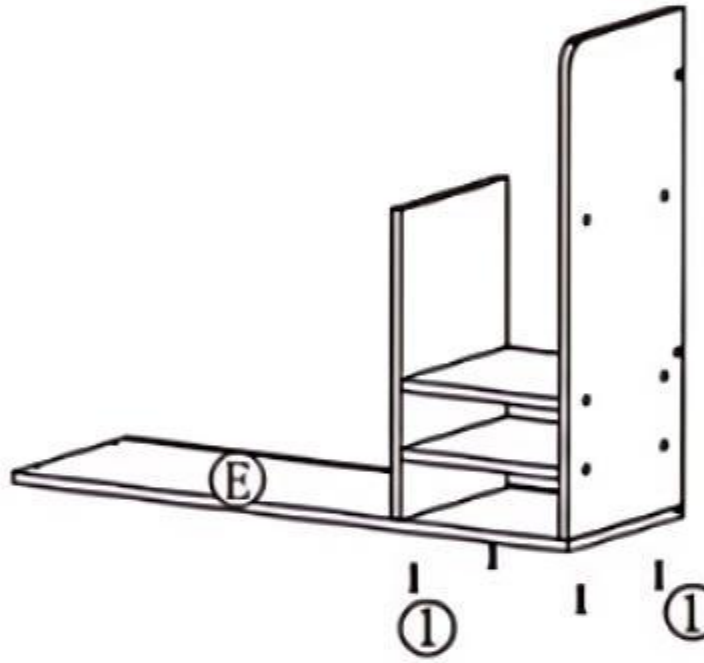
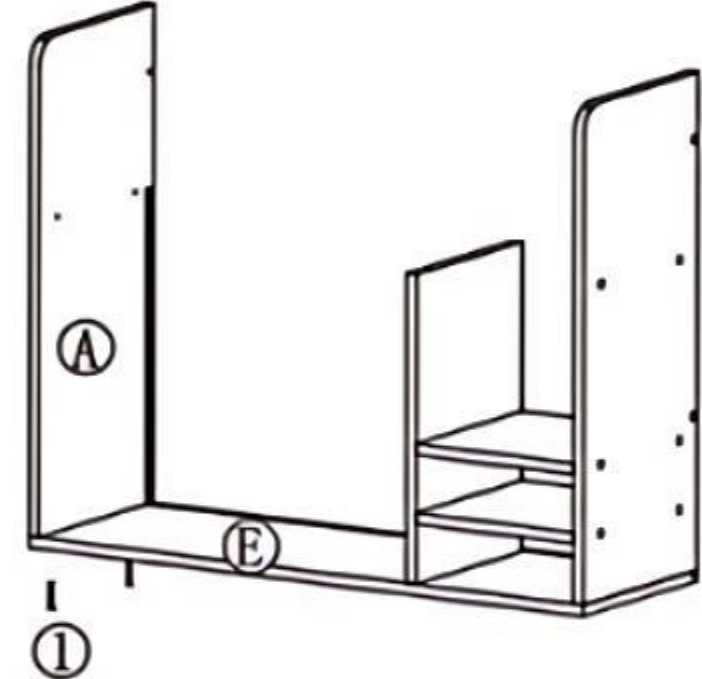
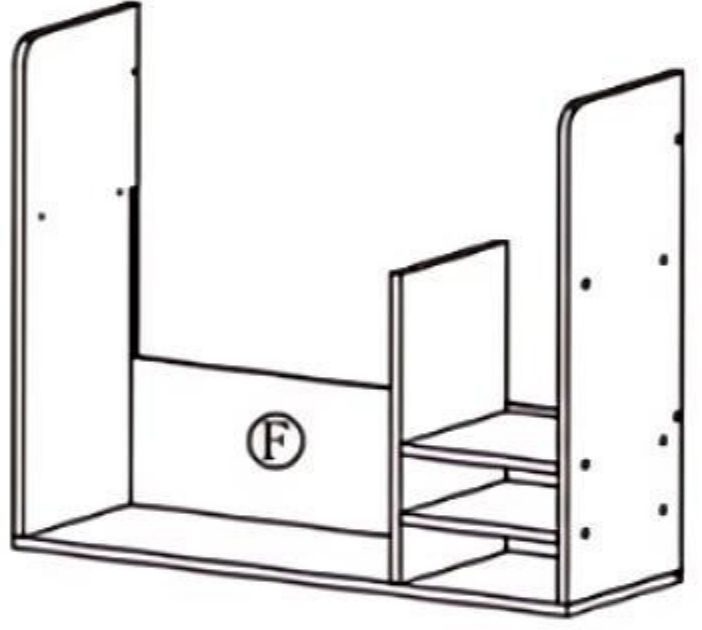
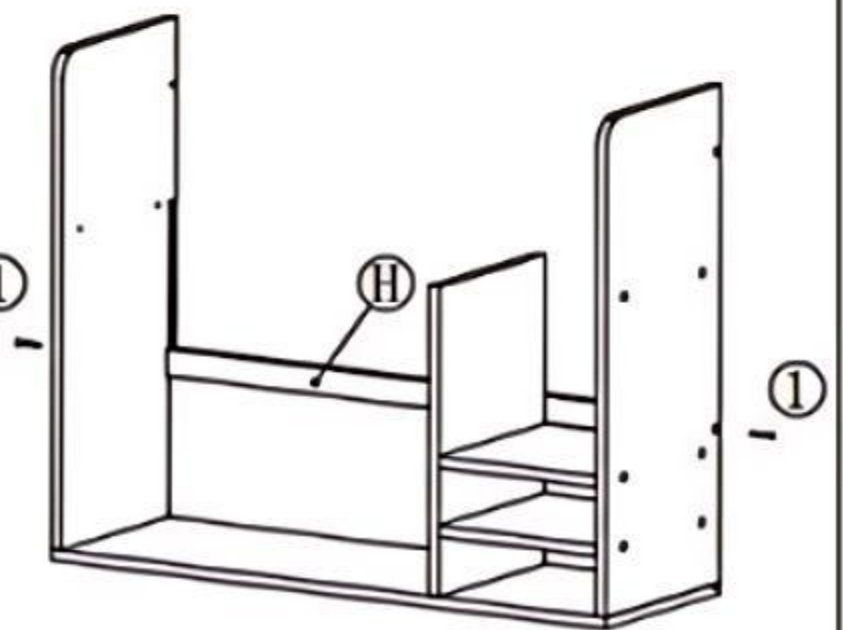
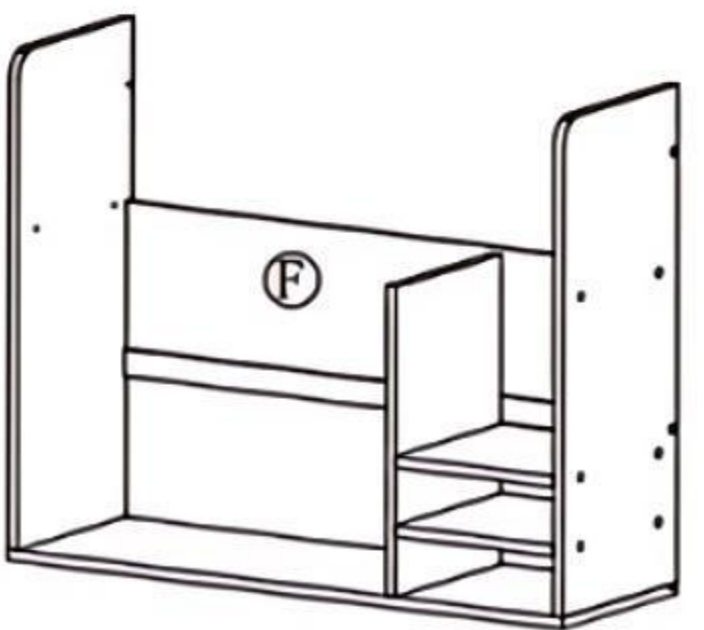
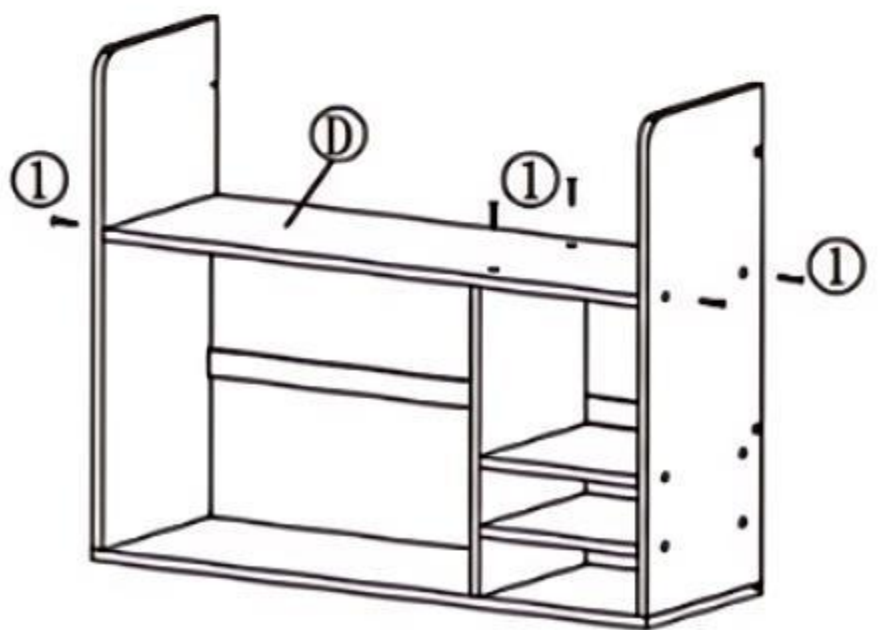
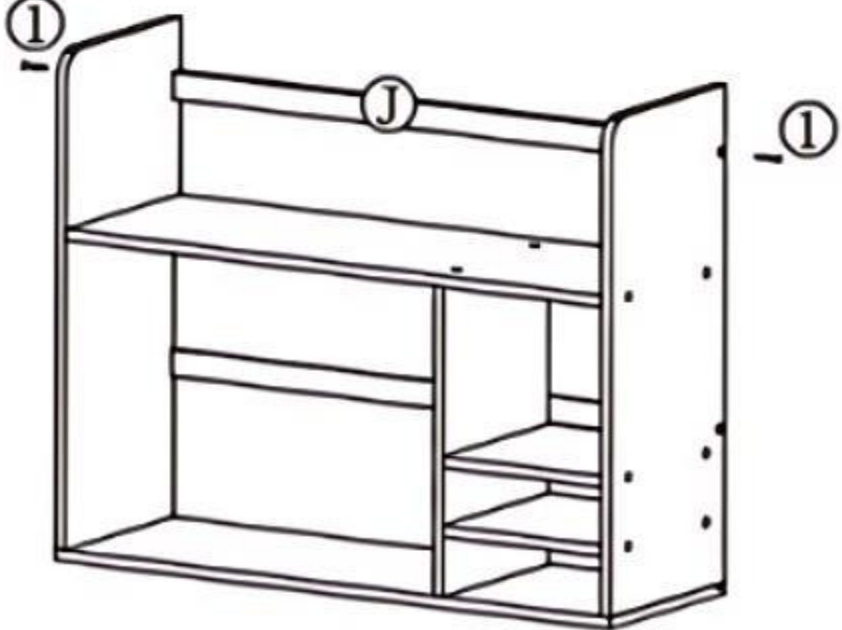
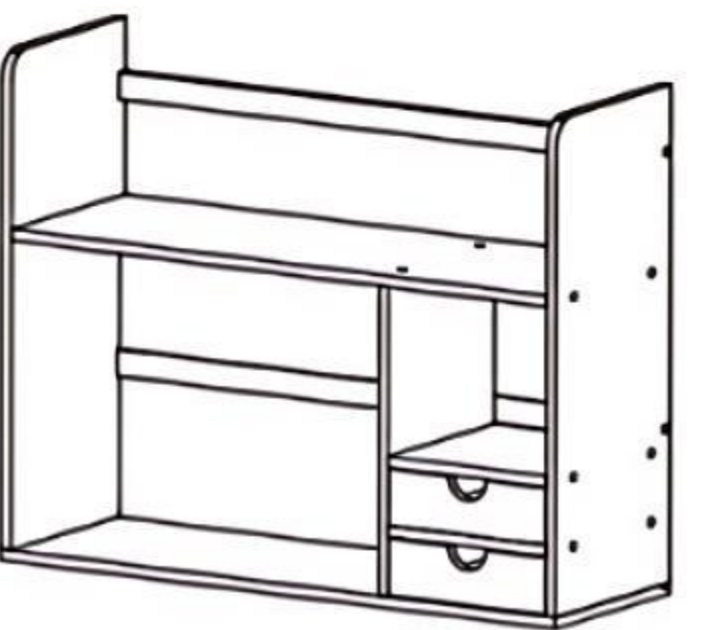


| | | | | | | | |
|---------------------|--|---|--|---|--|---|--|
| assembly parts list |  <p>Left bracket A*1 Right bracket B*1 Middle bracket C*1</p> |  <p>Top board D*1</p> |  <p>Bottom board E*1</p> |  <p>Backboard F*2</p> |  <p>Drawer G*1</p> |  <p>Drawer G*1</p> | |
| |  <p>Slotted backrest H*1</p> |  <p>Backrest J*1</p> |  <p>Small layer board K*2</p> |  <p>Wooden sales M*2</p> |  <p>Screw *24</p> | <p>be careful: During installation: Do not tighten the screws too tightly first, and adjust them uniformly after they are all installed!</p> | |
| | | |  <p>Installation tools</p> | | | | |

| | | | | | |
|----------------------|---|--|--|---|--|
| installation diagram | <p>1</p>  <p>Small layer board K has wooden pins installed facing the ground</p> <p>First, insert the wooden pin M into the small layer board K, and then use the No.1 screw to install the bracket B/C on the small layer board K</p> | <p>2</p>  <p>Install the components installed in the first step onto the bottom board E using screw number 1</p> | <p>3</p>  <p>Install bracket A onto the bottom board E using screw number 1</p> | <p>4</p>  <p>Insert back panel F</p> | |
| | <p>5</p>  <p>Install the slotted backrest H with the No.1 screw</p> | <p>6</p>  <p>Insert back panel F</p> | <p>7</p>  <p>Install the top panel D with screw number 1</p> | <p>8</p>  <p>Install the backrest J with the No.1 screw</p> | <p>9</p>  <p>Install in drawer completed</p> |