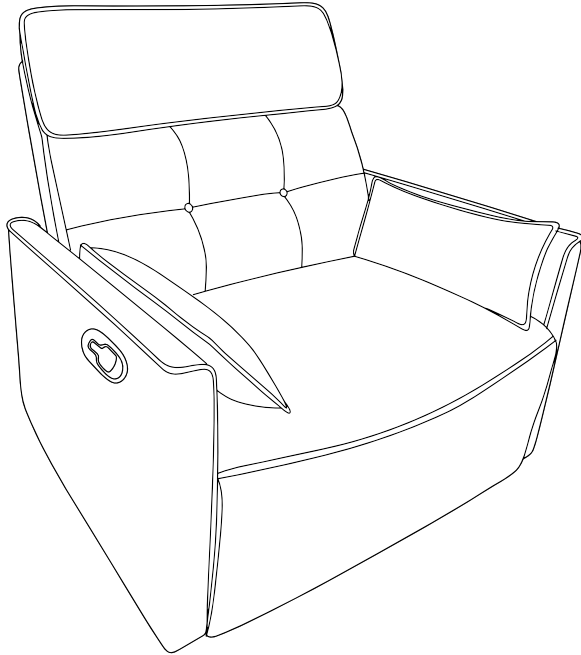
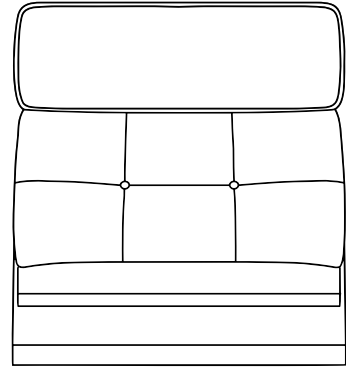


User Manual

Parts List

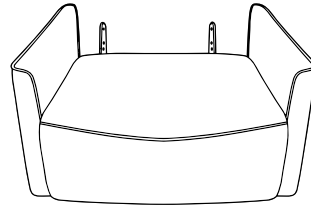


A



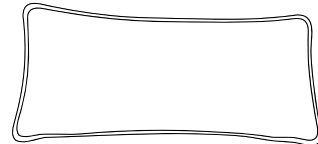
Backrest

B



Seat Cushion

C x2

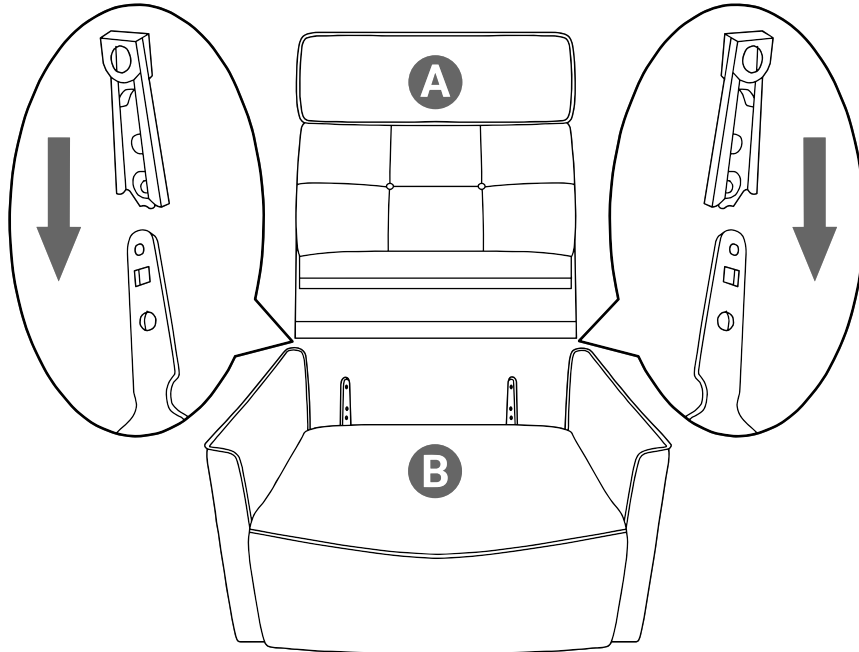


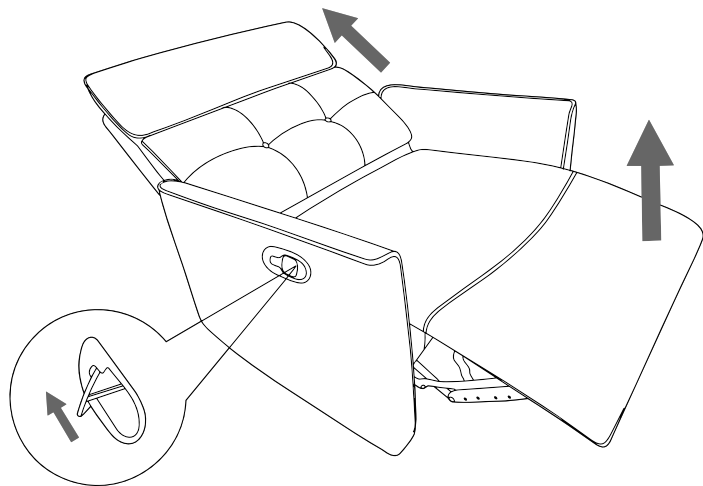
Pillow

Assembly Instructions

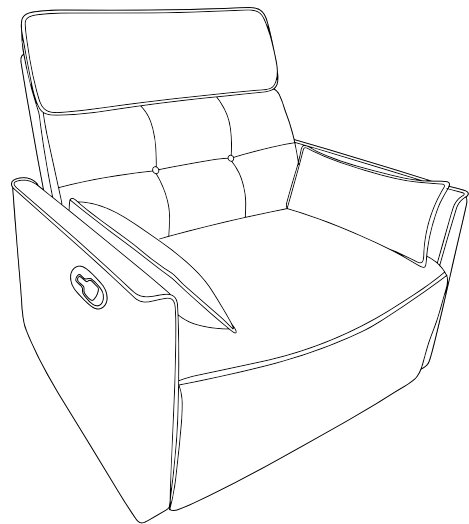
STEP 1

Secure the backrest to the buckles behind the seat cushion





**Open backrest
and footrest**



Maintenance instructions

TO STORE:

Place unit in its box or safe, dry, cool place. Avoid contact with sharp edges or pointed objects which might cut or puncture the fabric. Do not wrap power cord around the unit. Do not hang the unit by power cord.

TO CLEAN:

- 1.** Do not place in any liquid to clean. Clean fabric cover by wiping with a damp sponge, using a mild detergent or suds. Pat dry with clean, dry cloth.
- 2.** Do not use abrasive cleaners, brushes, gasoline, kerosene, glass/furniture polish, paint thinner or water hotter than 120°C to clean the unit.

WARNING:

In the interest of health and safety, Please ensure no obstacles, children or pets are near the chair mechanism or the area underneath when the chair is in use. This is not a play area. Vigilance is required to avoid accidents.