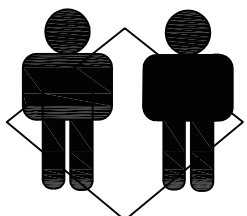
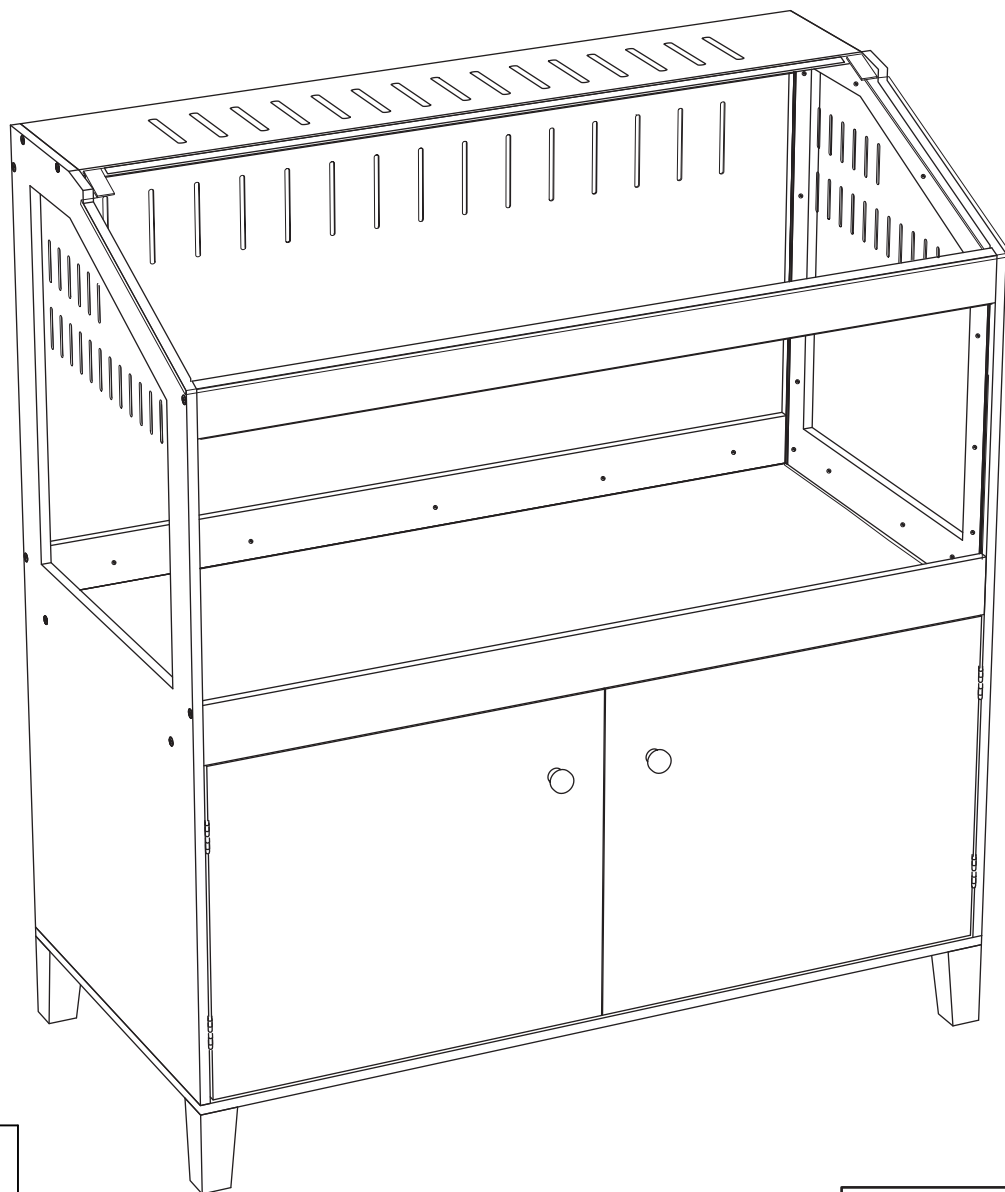

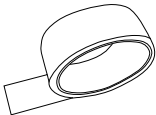




Hamster Cage Cabinet



Assembly Instructions

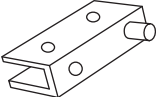
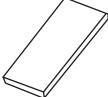




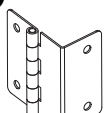

ASSEMBLED BY 2 ADULTS

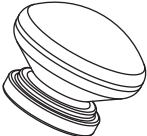

<p>K</p>  <p>4 PCS</p>	<p>M</p>  <p>1 PCS</p>
--	--

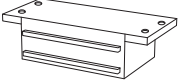



<p>A</p>   <p>A1 25+1 PCS</p> <p>A2 20+1 PCS</p>
--


<p>B</p>   <p>B1 10+1 PCS</p> <p>B2 10+1 PCS</p>


<p>C</p>     <p>C1 2 PCS</p> <p>C2 4 PCS</p> <p>C3 4 PCS</p> <p>C4 2 PCS</p>


<p>D</p>   <p>D1 4 PCS</p> <p>D2 3x12 16+1 PCS</p>

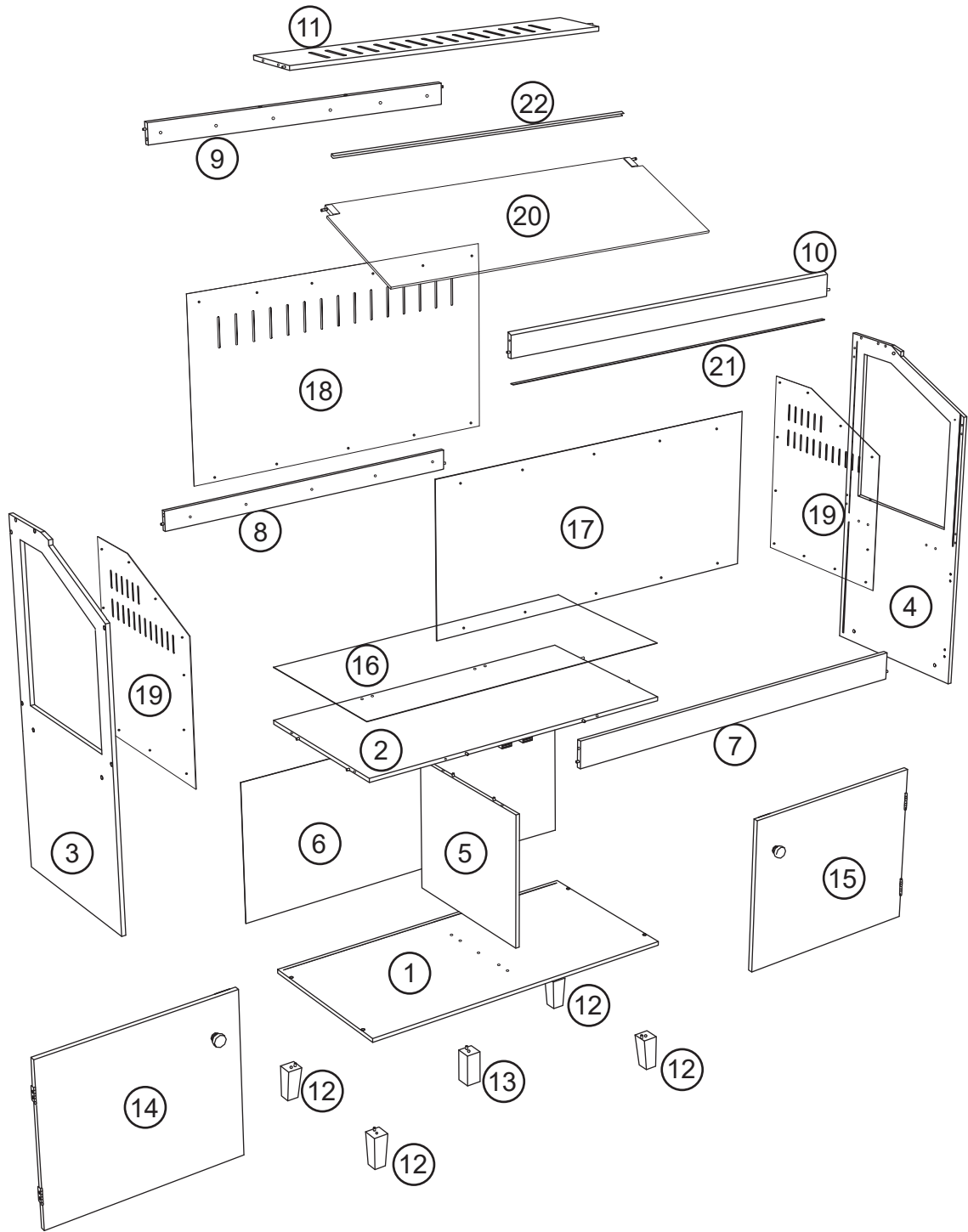
<p>E</p>   <p>E1 2 PCS</p> <p>E2 2 PCS</p>
--

<p>F</p>     <p>F1 2 PCS</p> <p>F2 3x16 4 PCS</p> <p>F3 2 PCS</p> <p>F4 3x12 4 PCS</p>

<p>G</p>  <p>2.5x10 9+1 PCS</p>

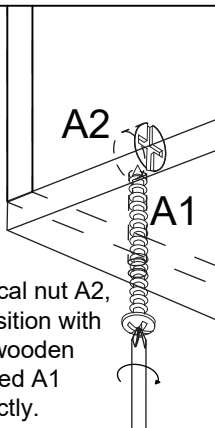
<p>H</p>  <p>2.5x6 5+1 PCS</p>
--

<p>J</p>  <p>2.5x10 45+2 PCS</p>
--

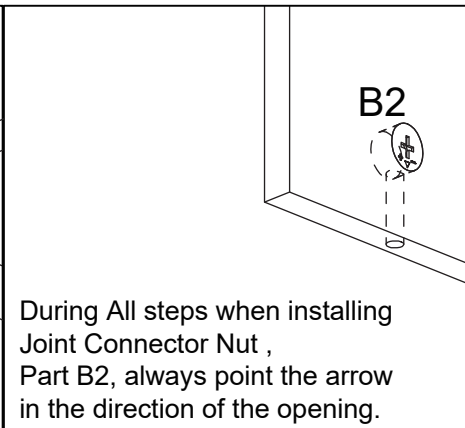


Read First : The product is coated with an environmentally-friendly paint. If there is any paint odor after installation, it will dissipate within a day when placed in a well-ventilated area. The six sides of the hamster's activity space are made of acrylic and PET materials, which will not have any impact on your hamster.

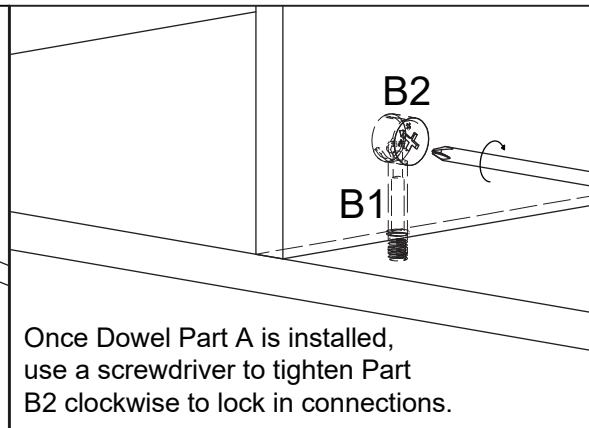
Pre-Steps:



When installing the vertical nut A2, please align the hole position with the hole position of the wooden board, so that the screwed A1 can be screwed in correctly.

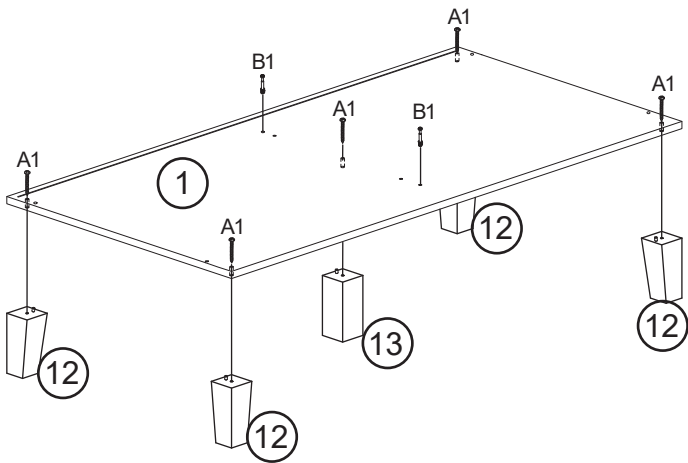


During All steps when installing Joint Connector Nut , Part B2, always point the arrow in the direction of the opening.



Once Dowel Part A is installed, use a screwdriver to tighten Part B2 clockwise to lock in connections.

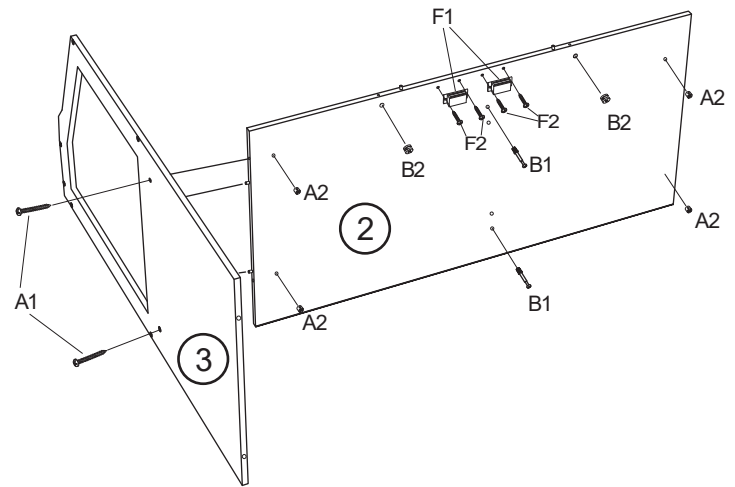
STEP1



Use screws A1 x5 to attach wooden legs #12 and #13 as shown. Screw B1 x2 into the corresponding holes.

A1x5 B1x2

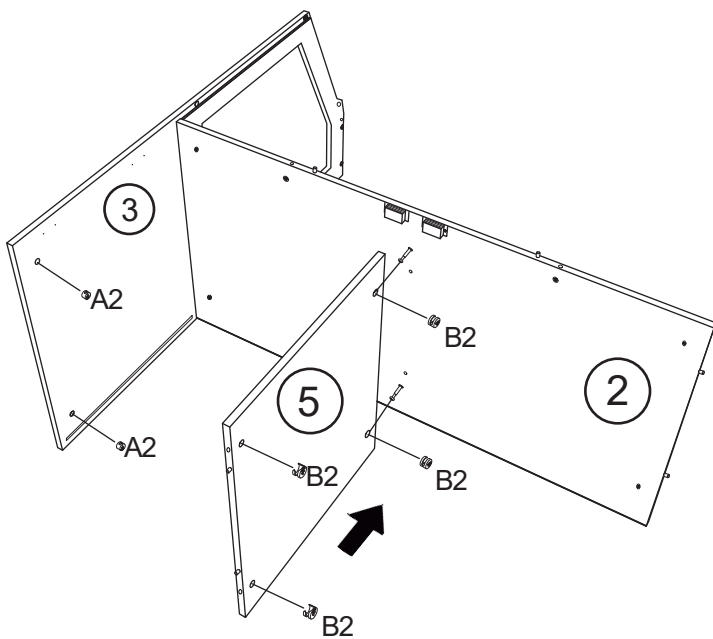
STEP2



Insert hardware A2 x4 and B2 x2 into the corresponding holes, then screw B1 x2 into the corresponding holes. Finally screw the door stoppers F1 x2 into a fixed position with the F2 screws x4 as shown. Attach Part #3 to Part #2 using screws A1 x2.

A1x2 A2x4 B1x2 B2x2 F1x2 F2x2

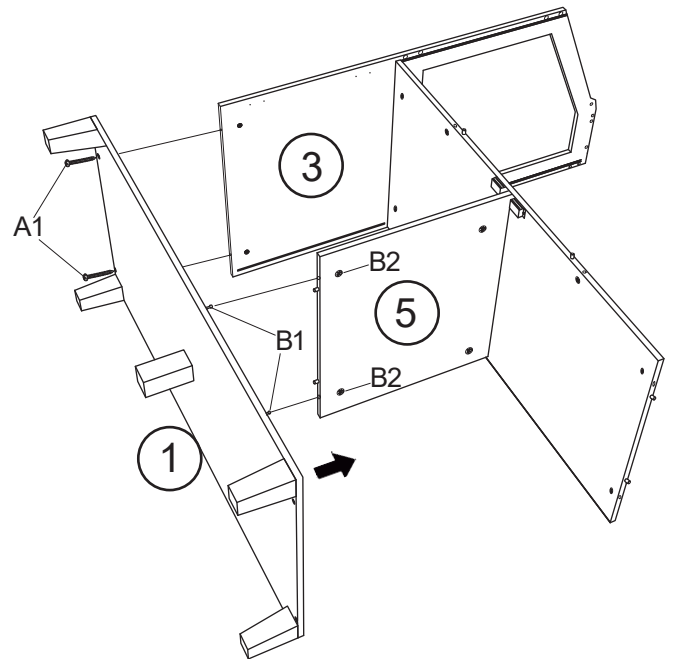
STEP3



First insert hardware A2 x2 and B2 x4 into the corresponding holes, then connect part #5 with part #2 board by sliding connector bolts into connector nuts as shown, and tighten B2 to secure the connections as shown.

A2x2 B2x4

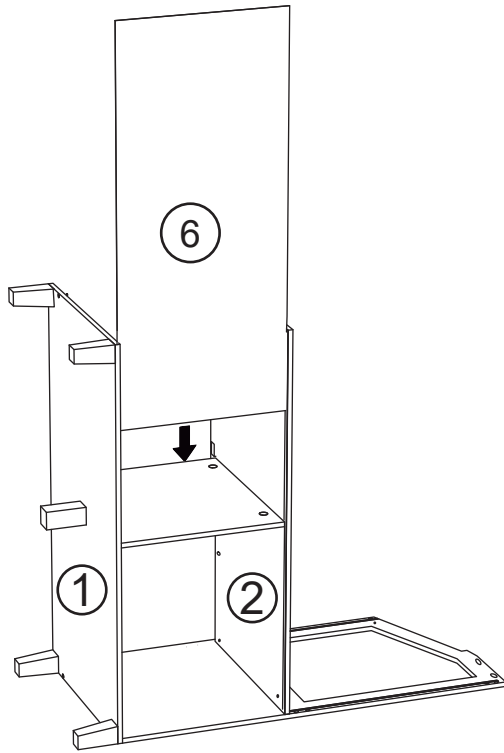
STEP4



Connect part #1 with parts #3, #5 of the assembled unit, by sliding connector bolts into connector nuts. Then tighten all connector nuts and bolts to secure the connections.

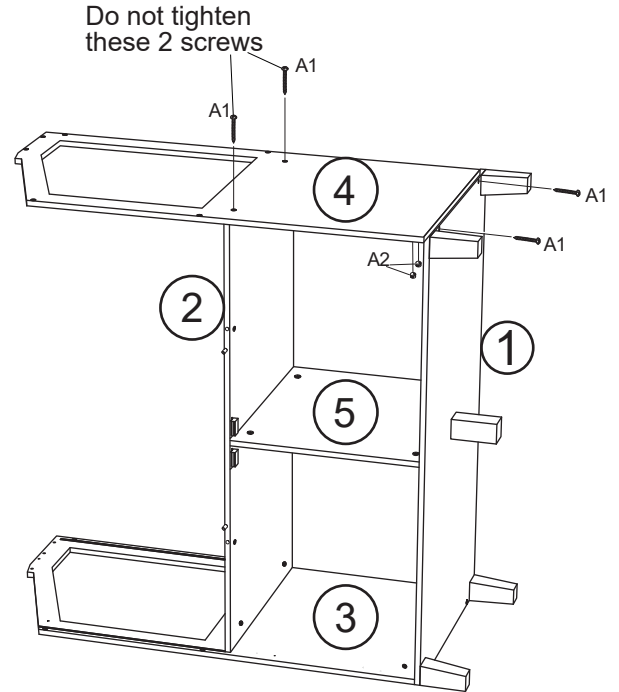
A1x2

STEP5



Insert the backplane part # 6 into the slots of parts #1 & #2 of assembled unit.

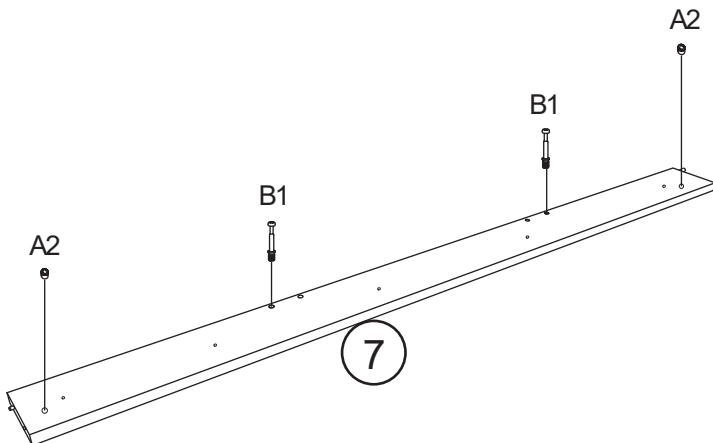
STEP6



Insert hardware A2 x2 into the holes of part #4 as shown - pay attention to the orientation of the holes of A2 so they can accept bolts as diagramed in Pre-steps. Then connect part #4 with parts #1 & #2 of the assembled unit, and tighten the two A1 screws connected with part #1. Please do not tighten the two A1 screws connected with part #2 .

A1x4 A2x2

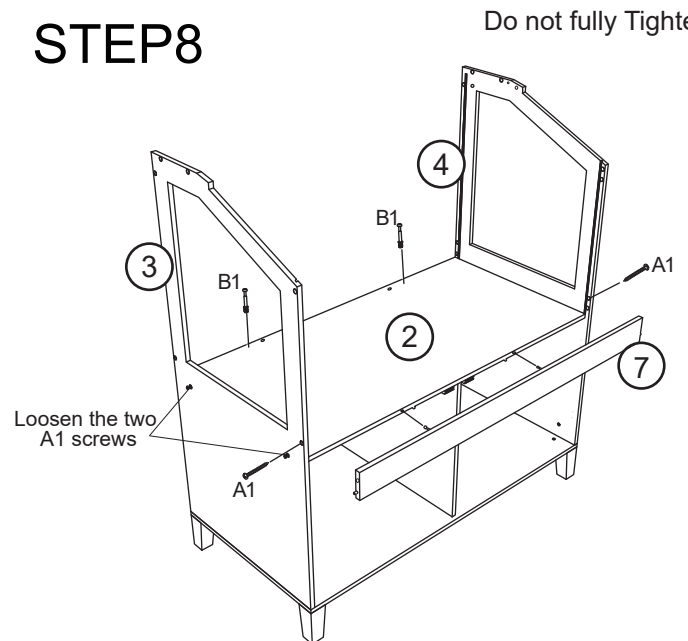
STEP7



Insert hardware A2 x2 and B1 x2 as shown into part #7.

A2x2 B1x2

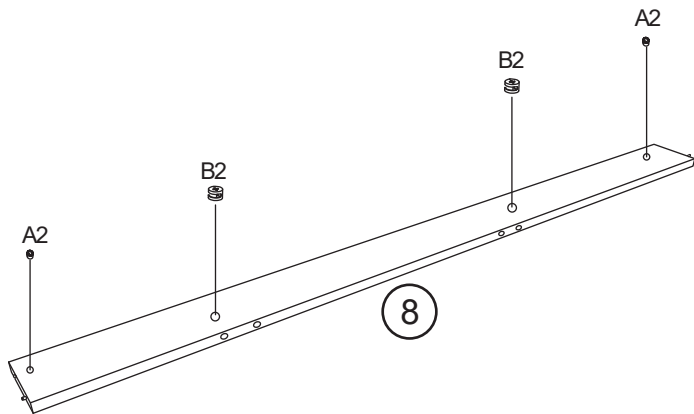
STEP8



First loosen the two A1 screws on part #3 as shown in diagram, and then connect part #7 to part #2 between parts #3 & #4 by sliding B1 into connector nuts B2. Please note that when installing, you need to gently pull the two part #3 and #4 outward to make the two ends of the part #7 connect to corresponding holes on parts #3 and #4, and install the A1 connector screws as shown. Tighten the Lock nut / Connector screw connections (Do not fully tighten A1 connections) Also install B1 on outside holes on top of part#2.

A1x2 B1x2

STEP9

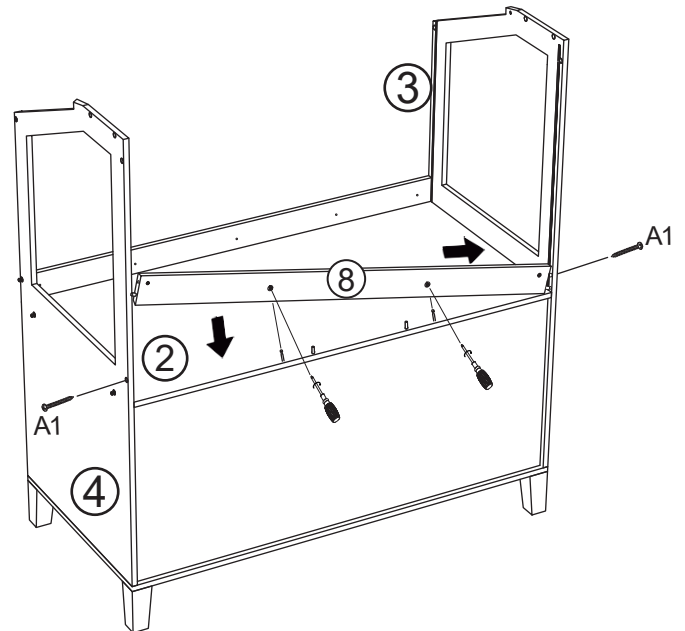


Insert hardware A2 x2 and B2 x2 as shown into part #8.

A2x2 B2x2

STEP10

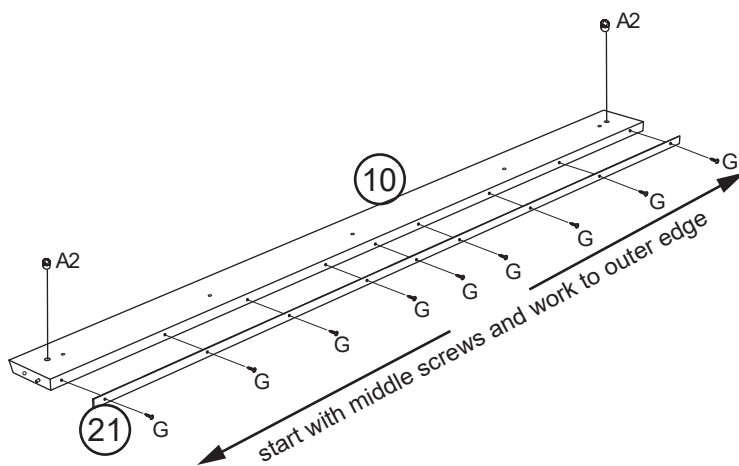
Do not fully Tighten



First put the wooden pins J x2 into part #2 (as shown in the picture), Then slide Part #8 in between parts #3 & #4, inserting part #8 nuts on part #2 bolts(B1/B2) - tighten. Finally insert connector screws A1 x2 on into A2 nuts outside as shown. Do not fully tighten A1 connections.

A1x2

STEP11

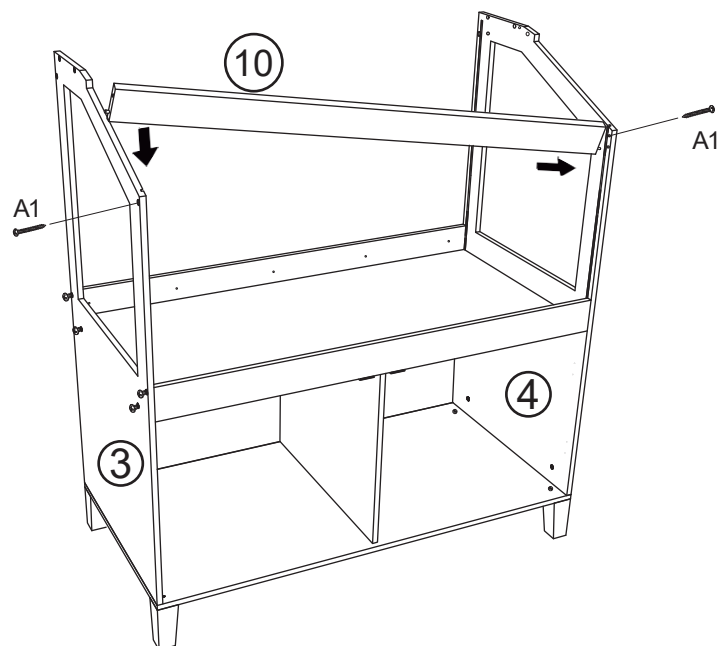


To connect part #21 to part #10, Please insert and tighten screws in order shown in above.

Gx9 A2x2

STEP12

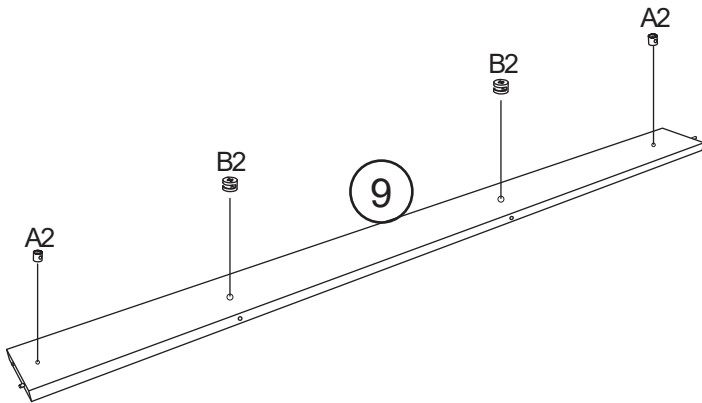
Do not fully Tighten



Attach part #10 to part #4 using hardware A1 first (do not tighten yet), then connect other side of part #10 to part #3 using an A1 screw. Do not fully tighten A1 connections.

A1x2

STEP13

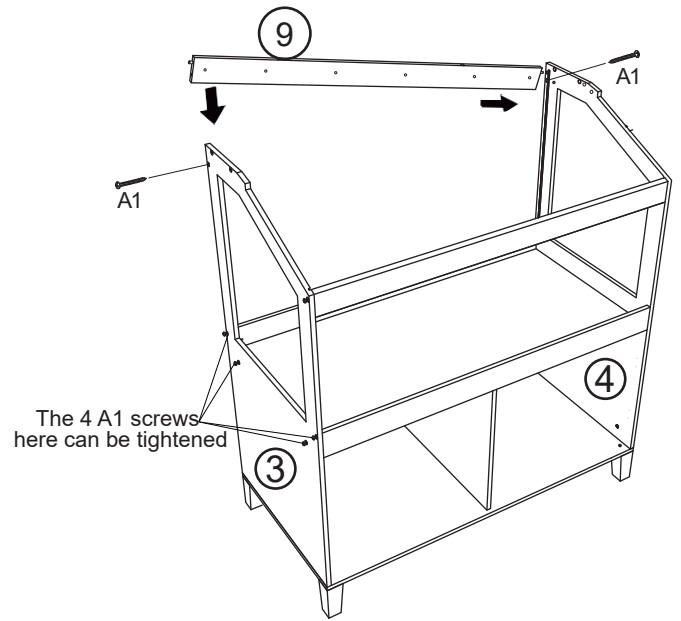


Insert hardware A2 x2 and B2 x2 as shown into part #9.

A2x2 B2x2

STEP14

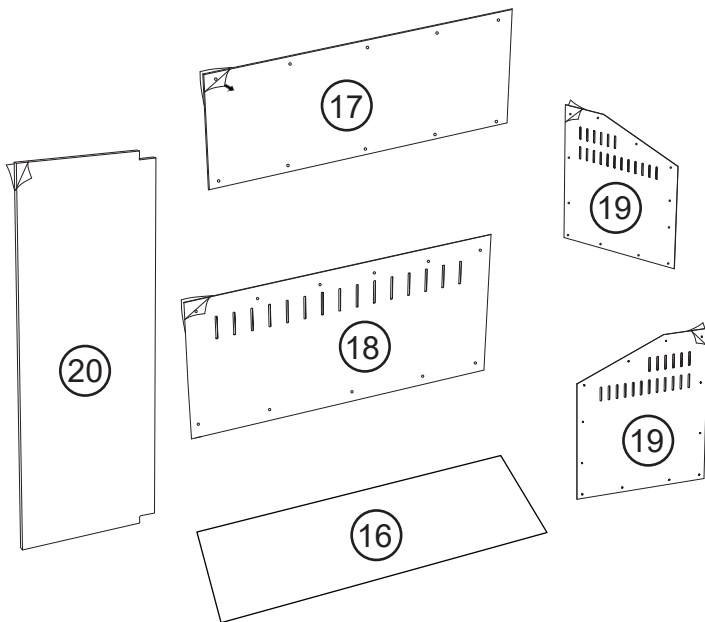
Do not fully Tighten



Attach part #9 to part #4 using hardware A1 first (do not tighten yet), then connect other side of part #9 to part #3 using an A1 screw. Do not fully tighten A1 connections. All screws on part #3 board can now be tightened by 95% (see diagram).

A1x2

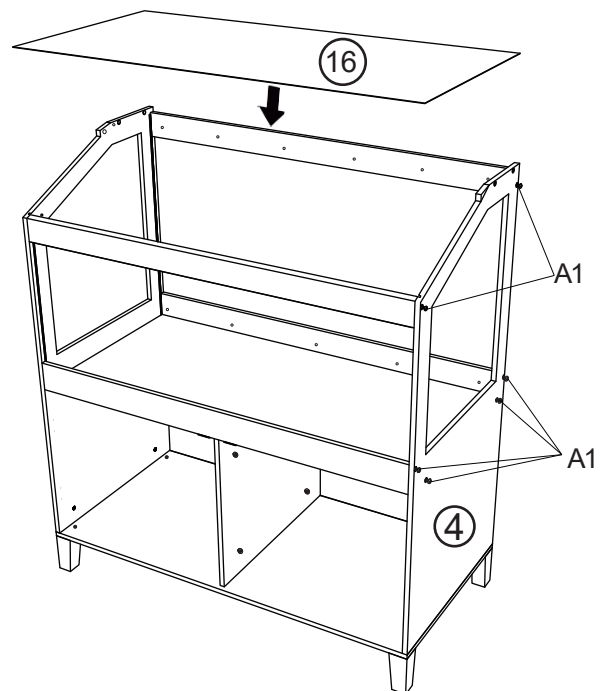
STEP15



Before installing all the acrylic panels, please remove the protective film. Part #16 is frosted PET without protective film.

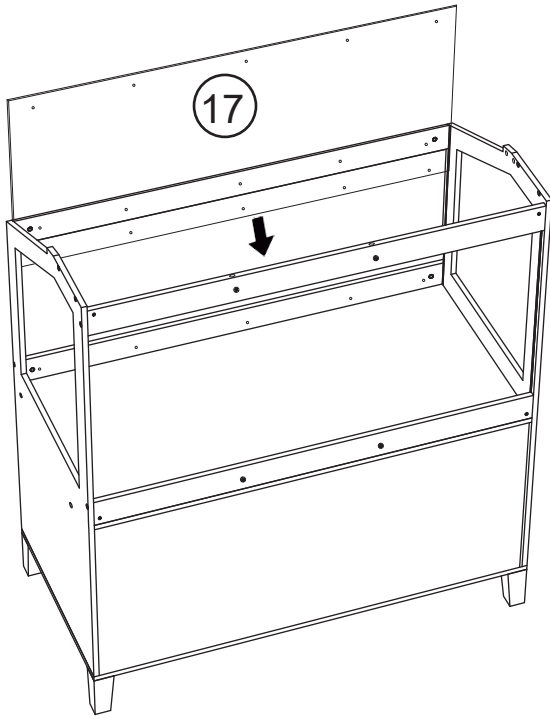
STEP16

Do not fully Tighten



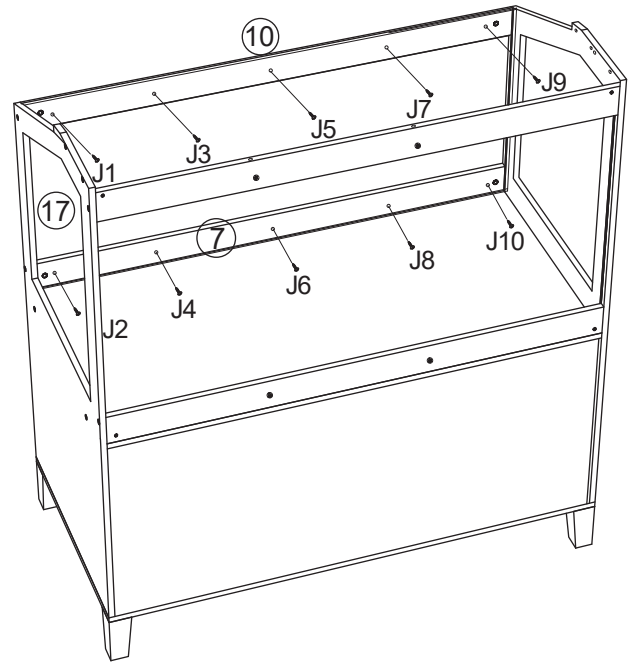
First install the #16 bottom plate with the frosted side up and put it into the cage. After confirming that it is flat, All screws on part #4 board can now be tightened by 95% (see diagram).

STEP17



Insert the part #17 acrylic panel into the front of the cage as shown.

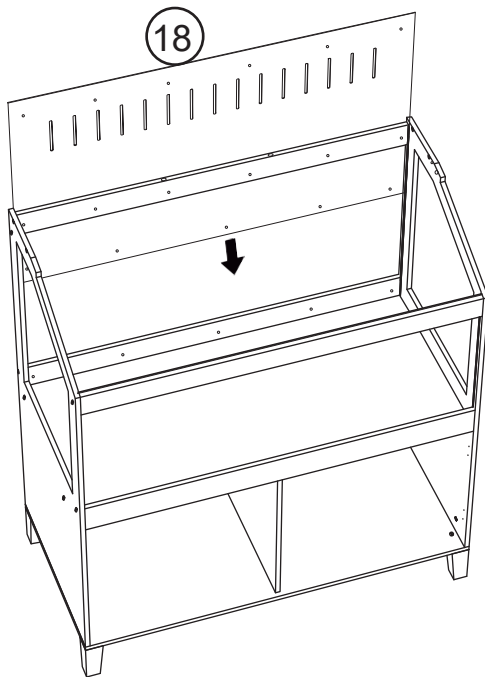
STEP18



Attach front acrylic panel #17 to parts #7 and #10 with screws J (into each of the pre-drilled holes as shown), following the sequence indicated in the diagram.

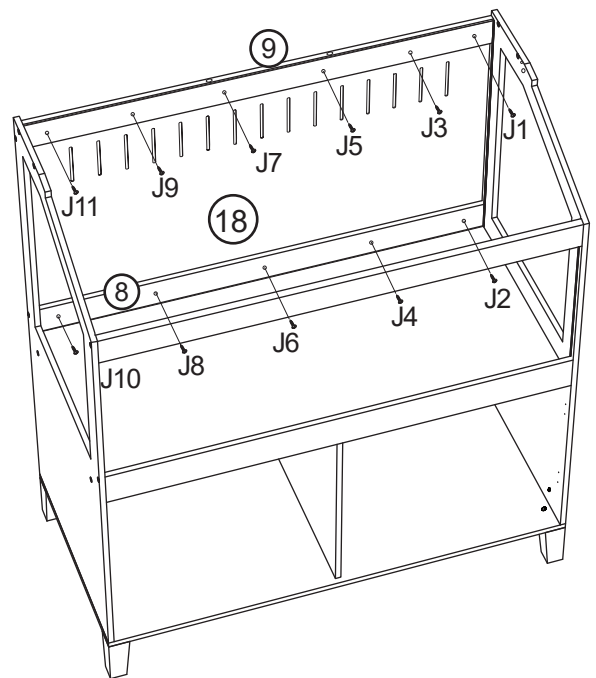
Jx10

STEP19



Insert part #18 acrylic panel into the back of the cage as shown.

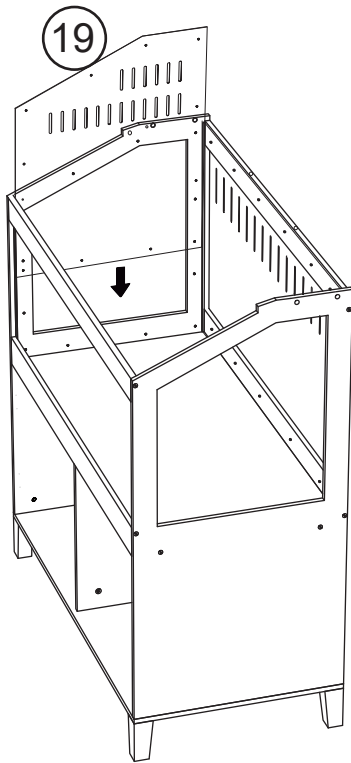
STEP20



Attach front acrylic panel #18 to parts #8 and #9 with screws J (into each of the pre-drilled holes as shown), following the sequence indicated in the diagram.

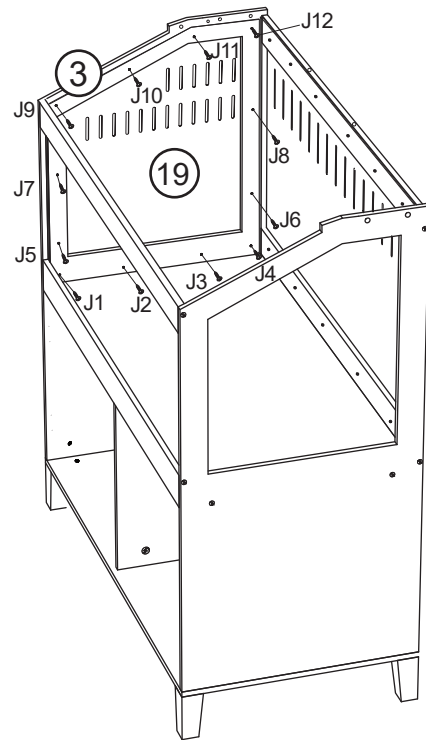
Jx11

STEP21



Insert the part #19 acrylic panel into the left side of the cage as shown.

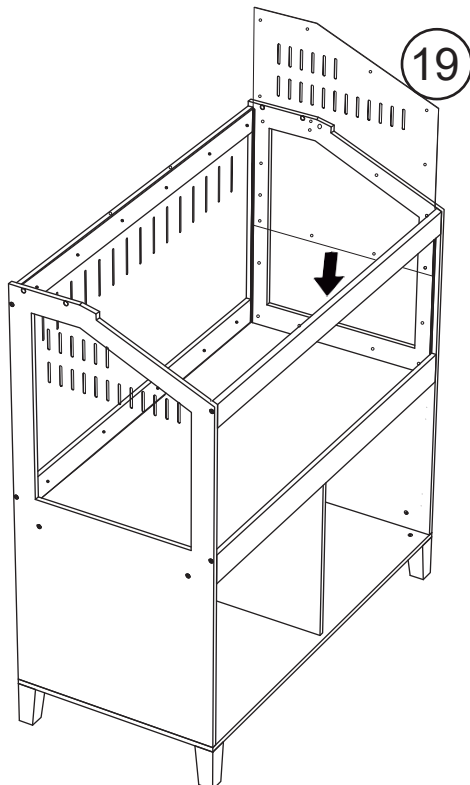
STEP22



Attach front acrylic panel #19 to parts #3 with screws J (into each of the pre-drilled holes as shown), following the sequence indicated in the diagram.

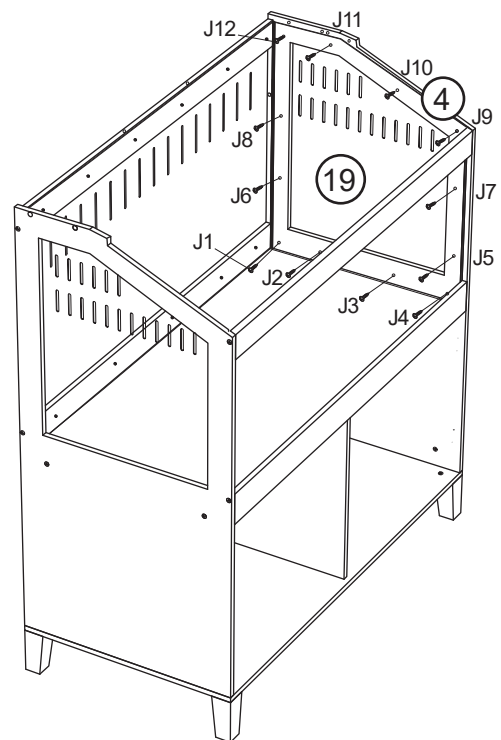
Jx12

STEP23



Insert the #19 acrylic panel into the right side of the cage as shown.

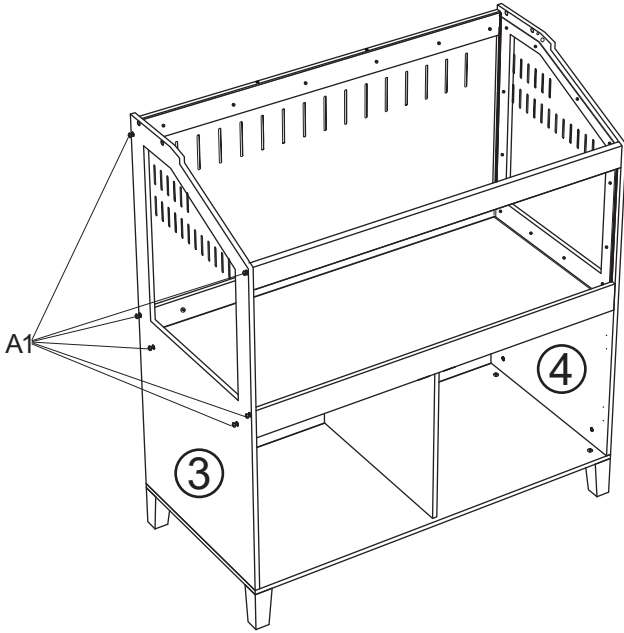
STEP24



Attach front acrylic panel #19 to parts #4 with screws J (into each of the pre-drilled holes as shown), following the sequence indicated in the diagram.

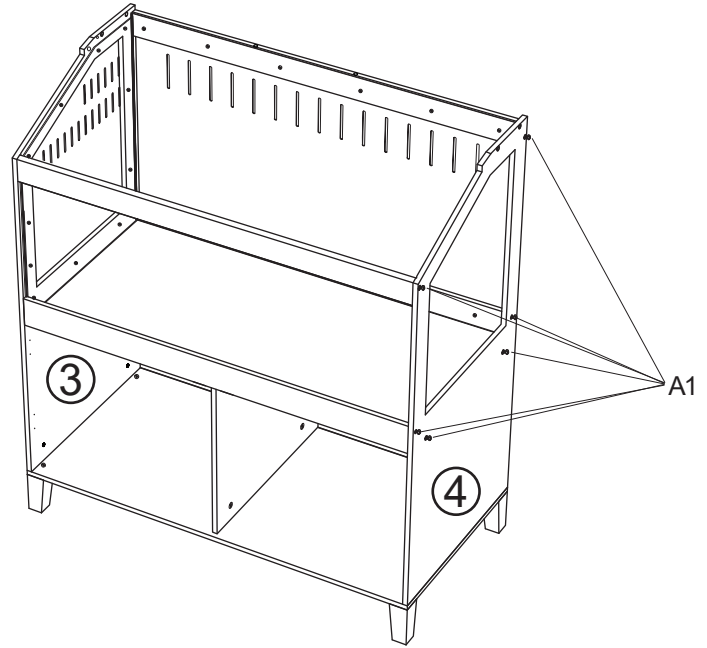
Jx12

STEP25



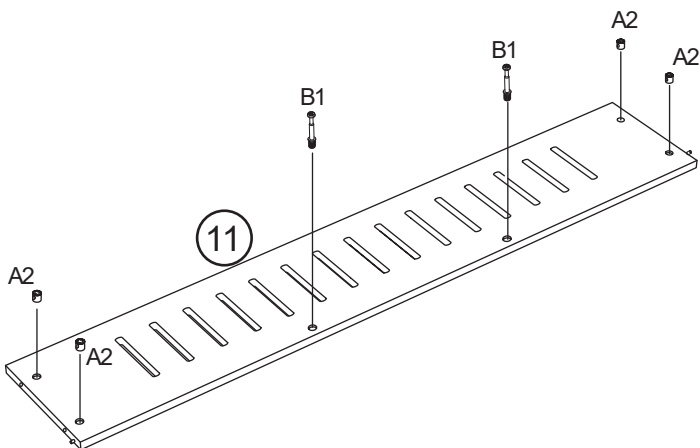
Please refer to the picture, Loosen the 6 A1 screws on the #3 board in the picture.

STEP26



Please refer to the picture, Loosen the 6 A1 screws on the #4 board in the picture.

STEP27

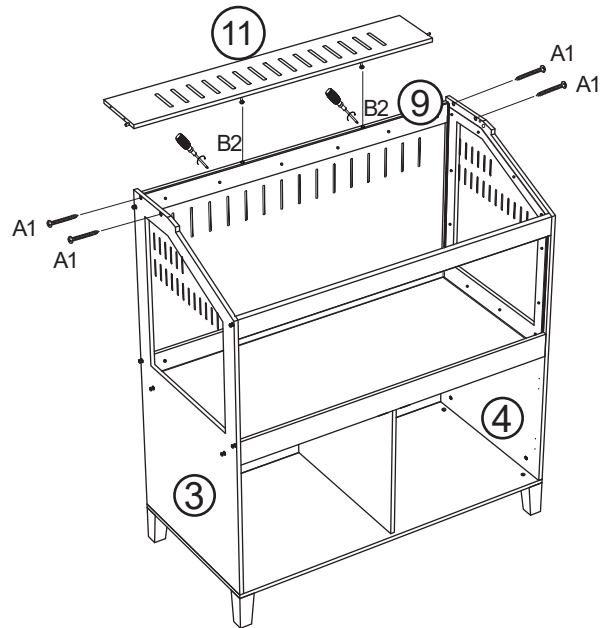


Insert hardware A2 x4 and B1 x2 into part #11 as shown.

A2x4 B1x2

STEP28

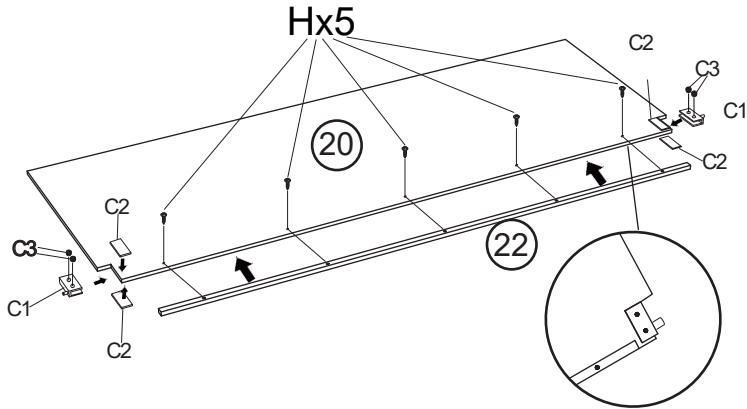
Do not fully Tighten



Connect part #11 board to part #9 first, and then slightly separate parts #3 and #4, let the wooden pins at the two ends of part #11 slide into the holes of #3 and #4, and then install the two B2 nuts on the back of part #9 & tighten B1/B2 connections. Then insert the x4 A1s into corresponding A2s on part #11, please do not tighten the A1 connections.

A1x4

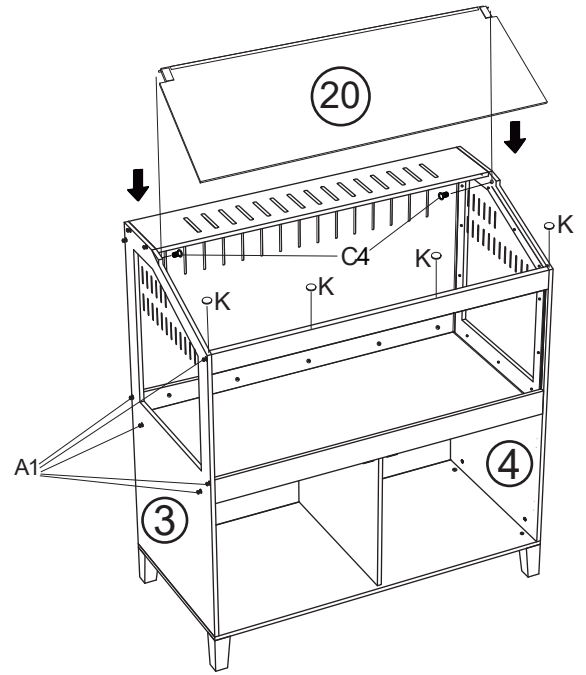
STEP29



First install hardware C2 on both sides of the transparent cover part# 20 as shown, then install C1 over C2 and secure on part #20 using screws C3. Repeat on other side as shown. Then line up part #22 onto the top of part #20, and then attach using screws H x5 according to the hole positions.

C1x2 C2x4 C3x4 Hx5

STEP30



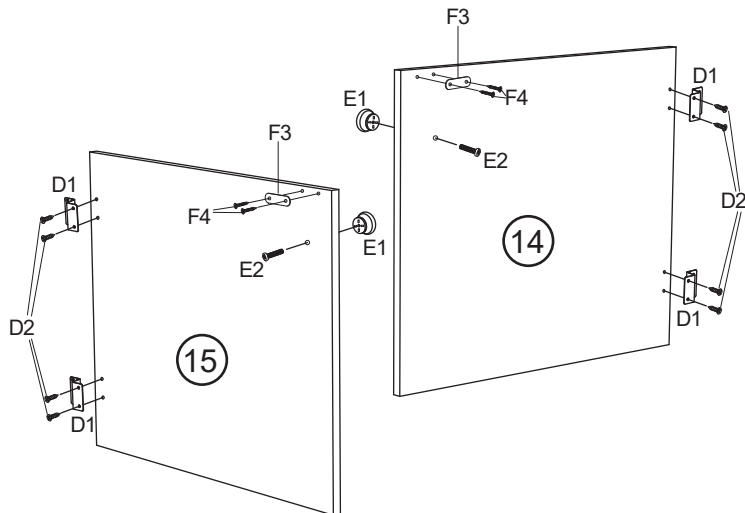
Install hardware C4 into the holes on both sides of parts #3 and #4 as shown, then insert the transparent cover 20 into the hole of C4, and then tighten all A1 screws.

Then paste the anti-collision silicone pad K in a suitable position as needed.

Finally ensure all connections (A1/A2 - B1/B2) are tightened fully.

C4x2 Kx4

STEP31

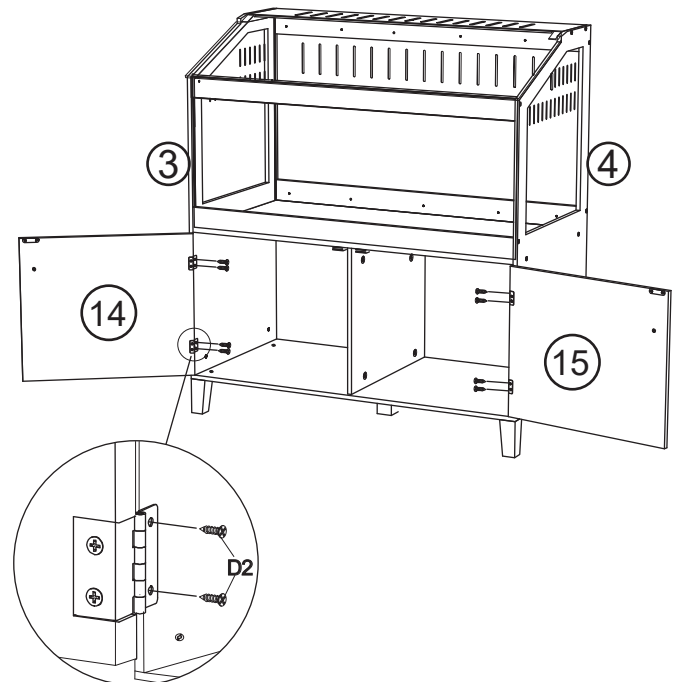


Install D2 hinges x4 as shown using D1 screws to both cabinet door panels #15 and #14 (2 hinges per panel).

Then also on each panel #15 and #14 install knobs (E1) using E2 screws. Finally, on each panel install door catches (F3) using F4 Screws as shown.

D1x4 D2x8 E1x2 E2x2 F3x2 F4x4

STEP32



Attach doors #14 and #15 to assembled unit via hinges using screws (D2) x2 screws per hinge x2 hinges per door.

D2x8

STEP33

As shown in the picture, use masking tape to fill the gaps at the bottom of the cage, and you can put your cute little friend in.

