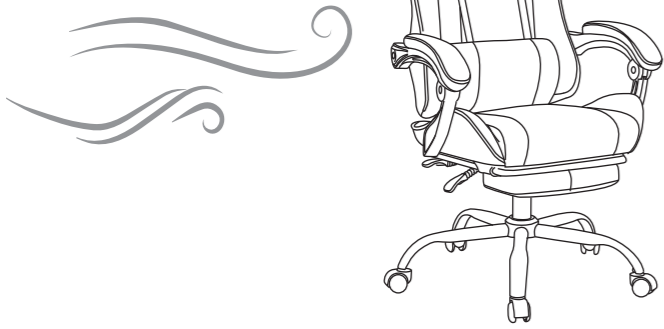
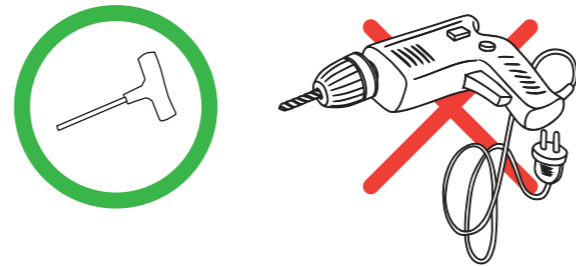


To deodorize the leather leave the chair in a shady outside for 1-2 days.



Tighten bolts periodically.



## Safety Information



## INSTRUCTION MANUAL

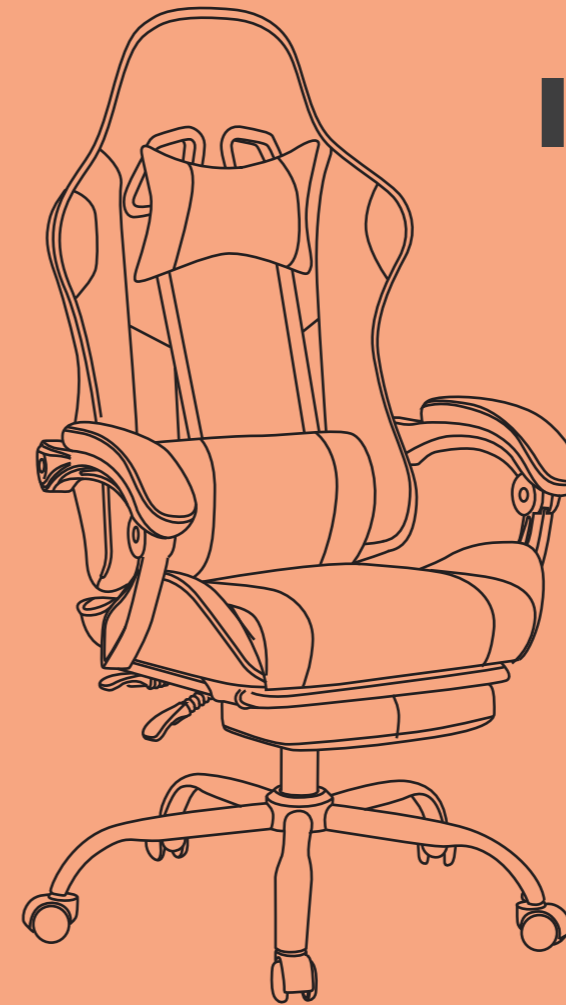
Model: C-DJY01

✉ HJ-Customer-Service@outlook.com

☎ (909)637-7665 | (909)637-7593

# INSTRUCTION MANUAL

## C-DJY01

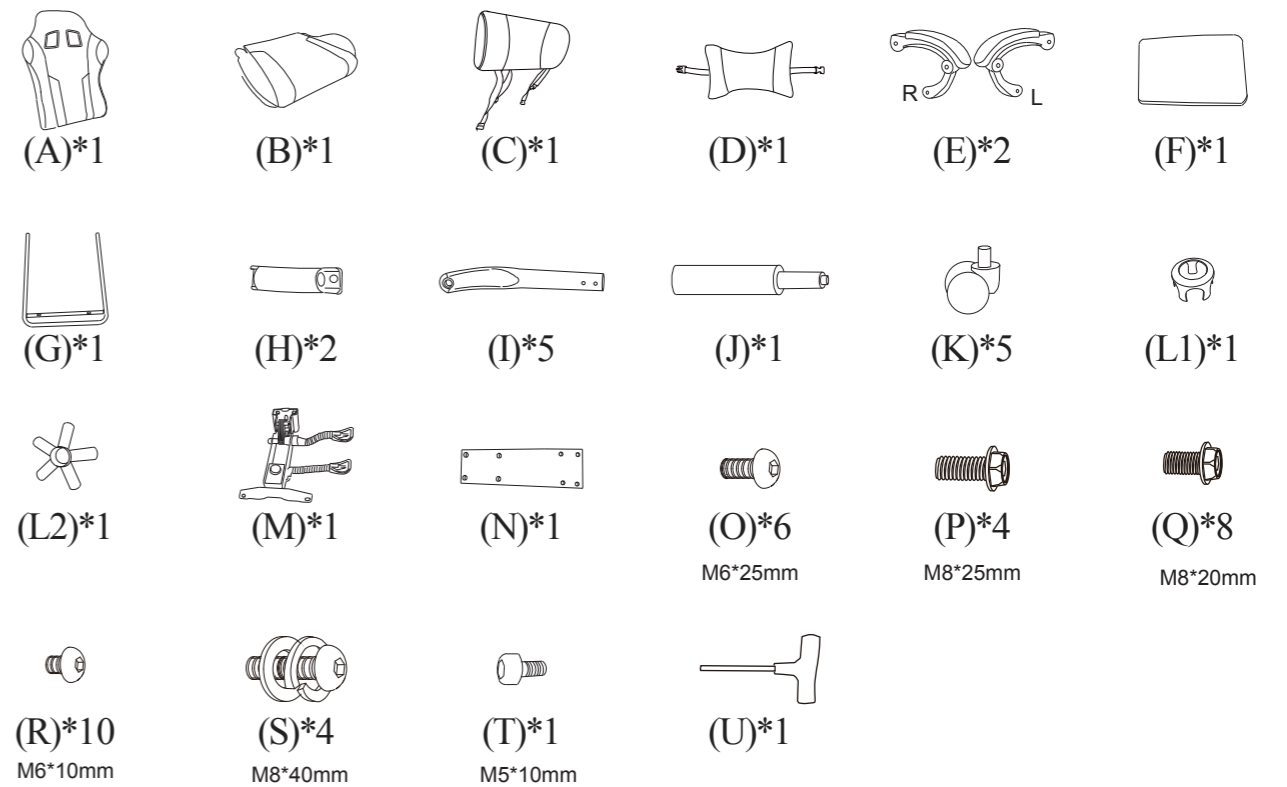


✉ HJ-Customer-Service@outlook.com

☎ (909)637-7665 | (909)637-7593

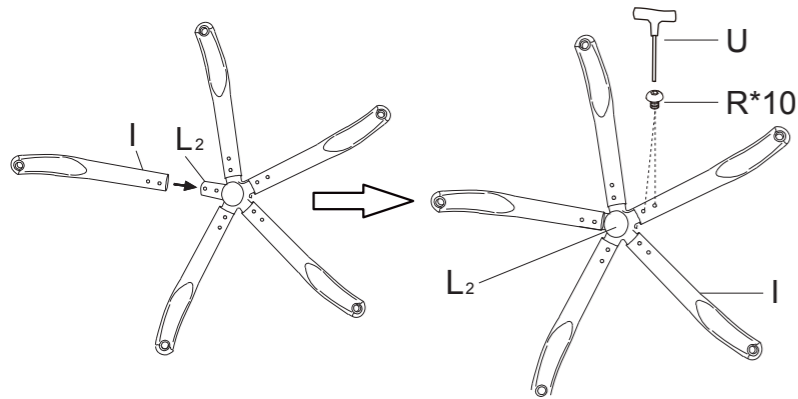
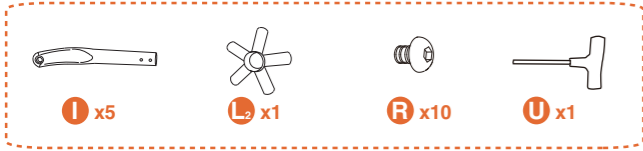
EST 9:00AM--17:00PM

## Part List

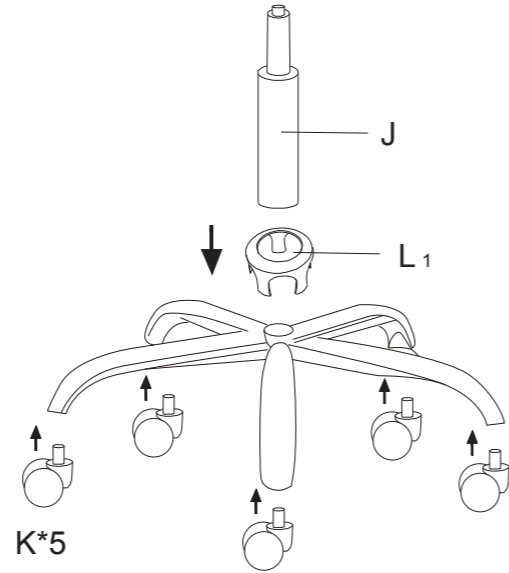


# Assembly Instruction

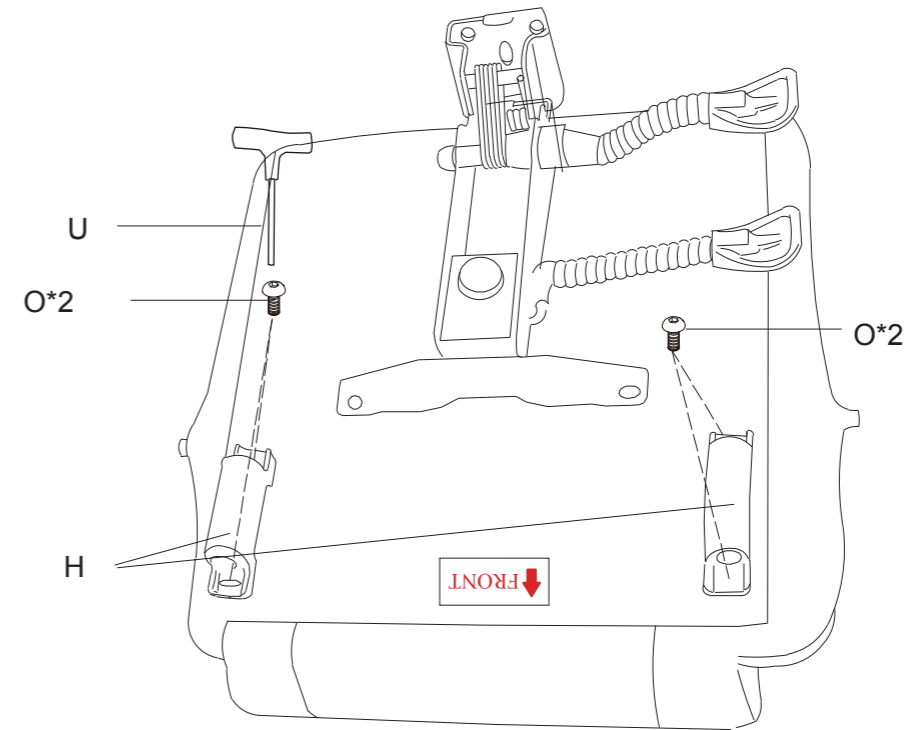
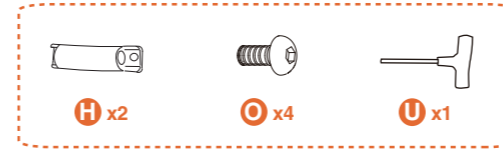
## Step 1



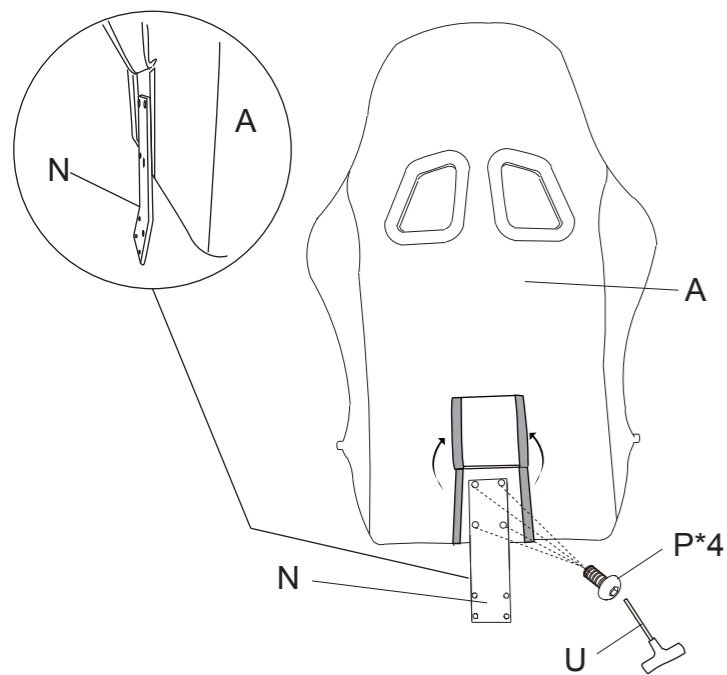
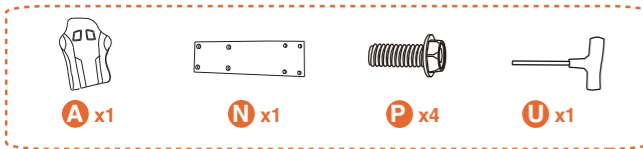
## Step 2



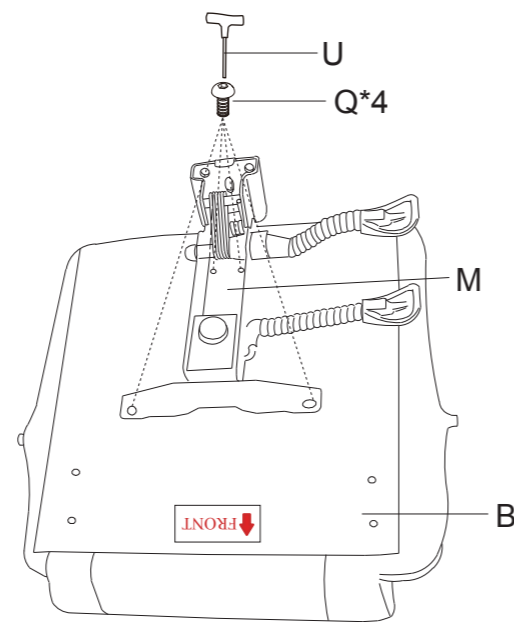
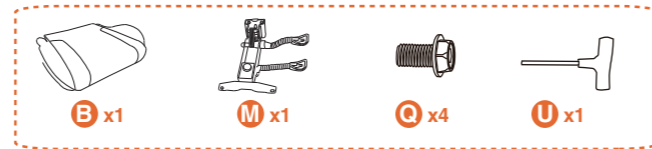
## Step 5



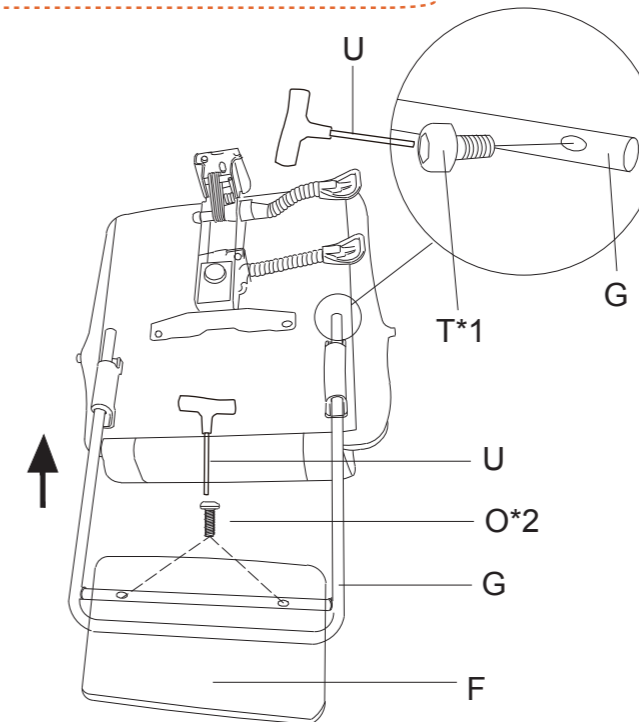
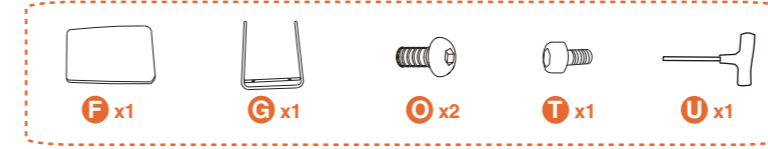
## Step 3



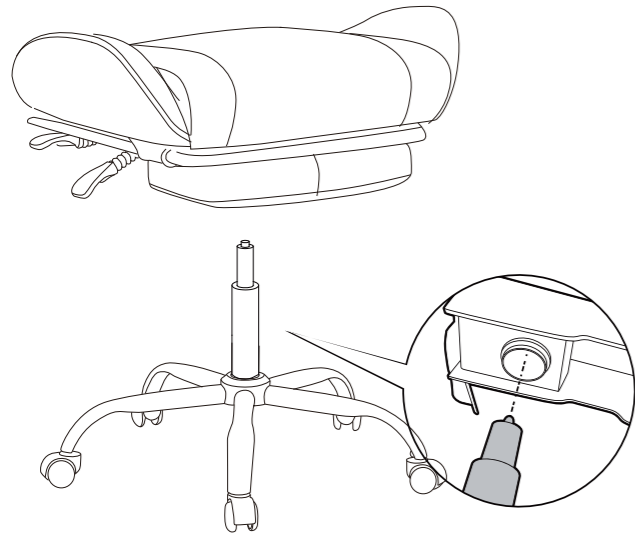
## Step 4



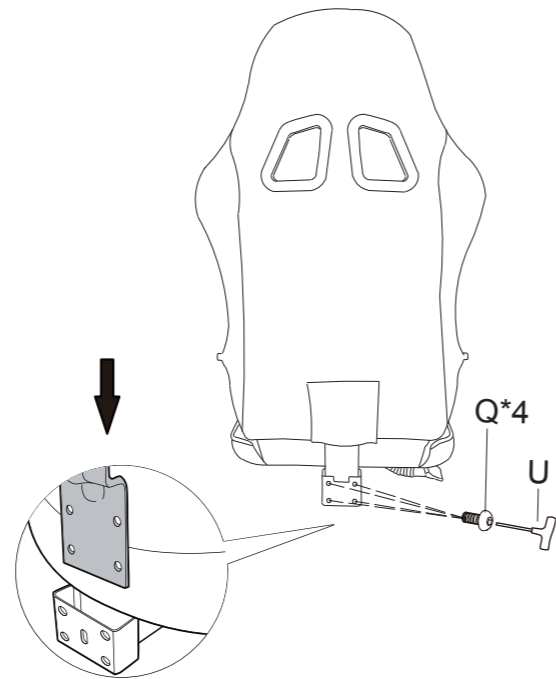
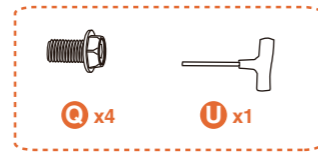
## Step 6



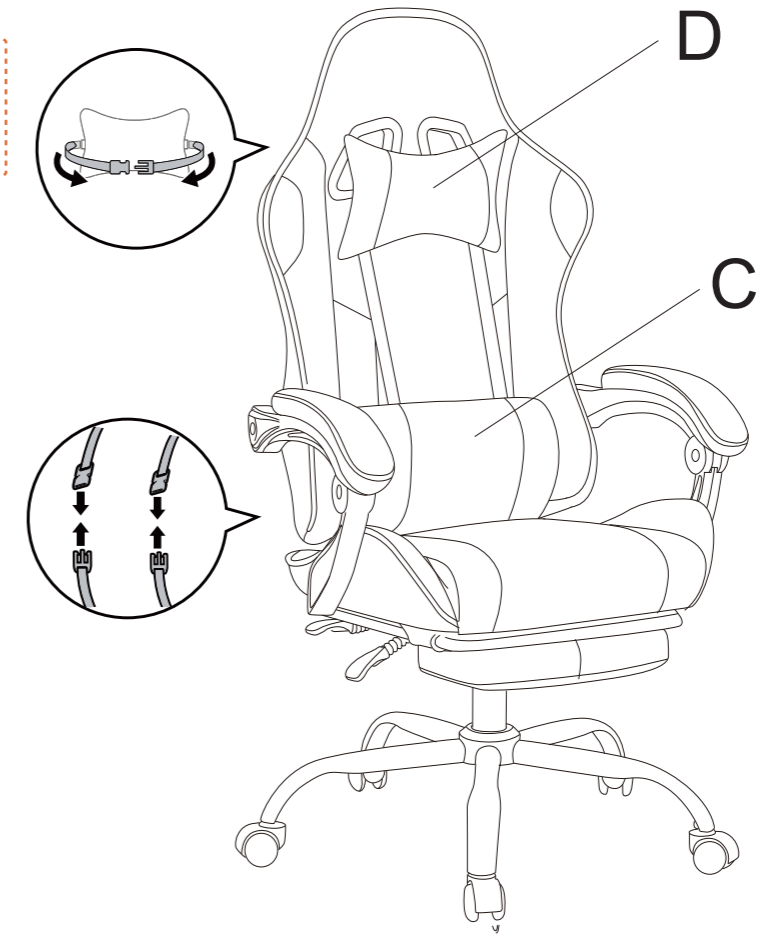
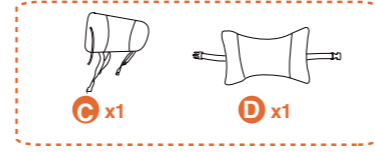
### Step 7



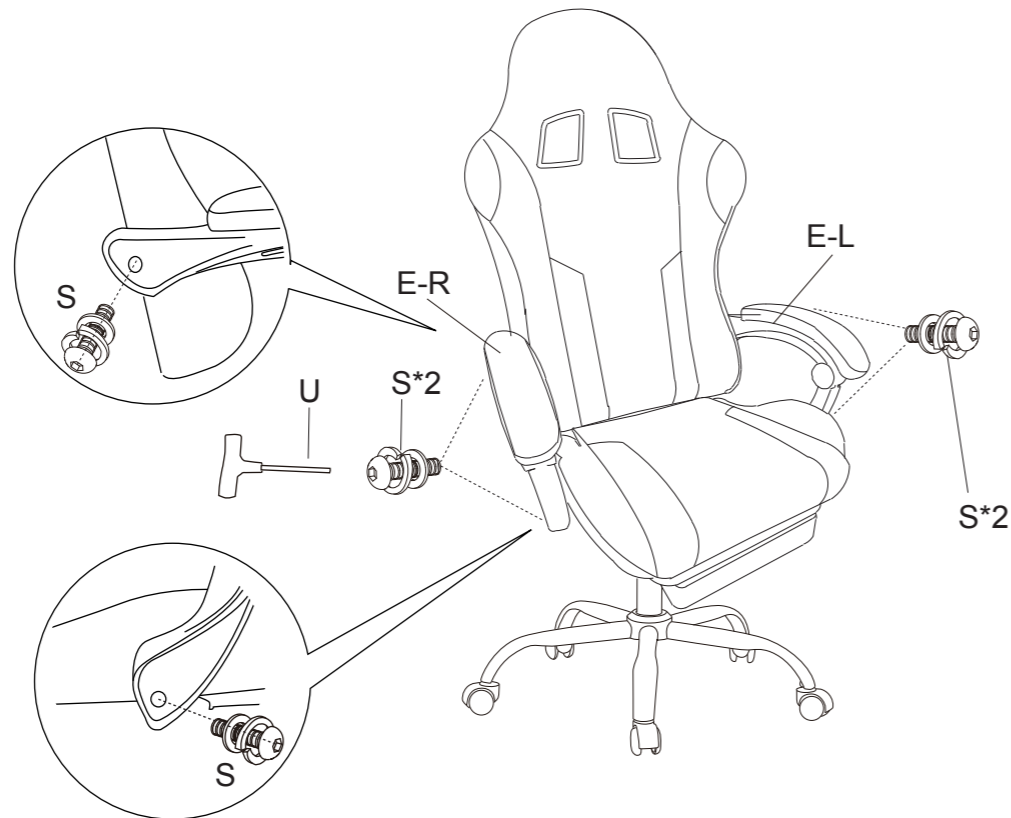
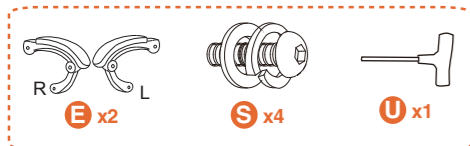
### Step 8



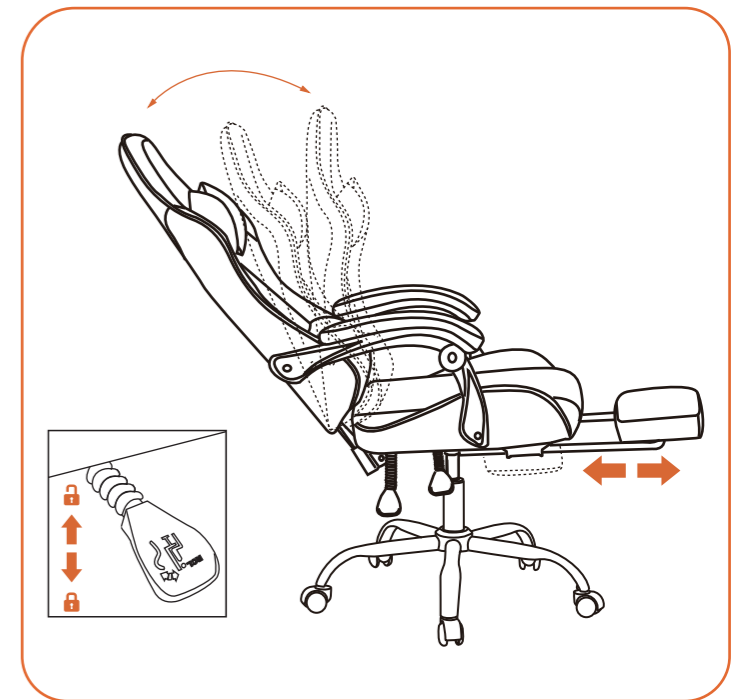
### Step 10



### Step 9



## Instructions For Use



### NOTE:

First, do not tighten all the bolts, tighten them all after the installation is complete.

### CAUTION:

\*Before using the chair, check to ensure that all bolts are fully tightened.