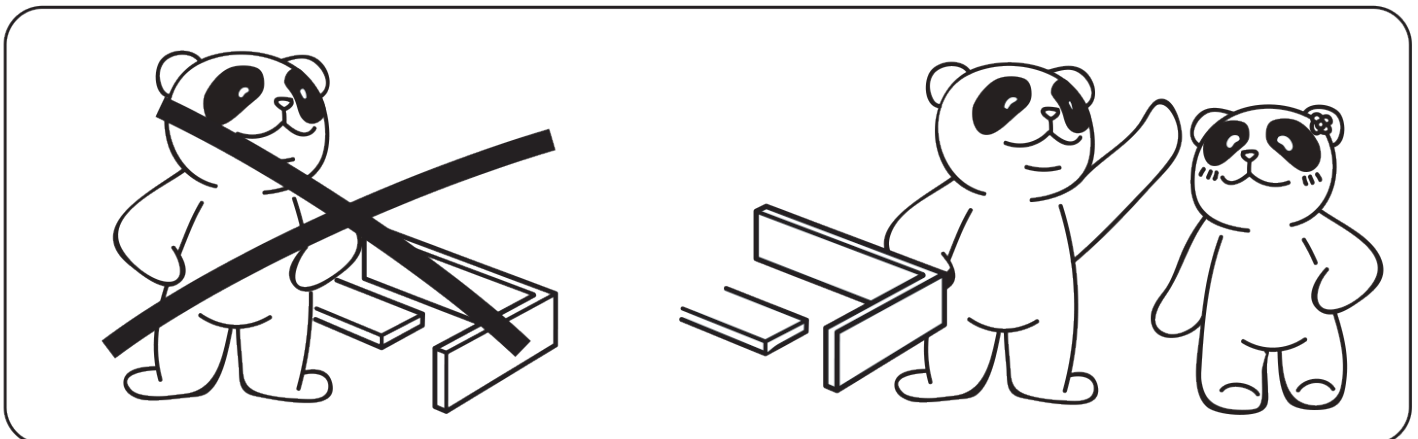
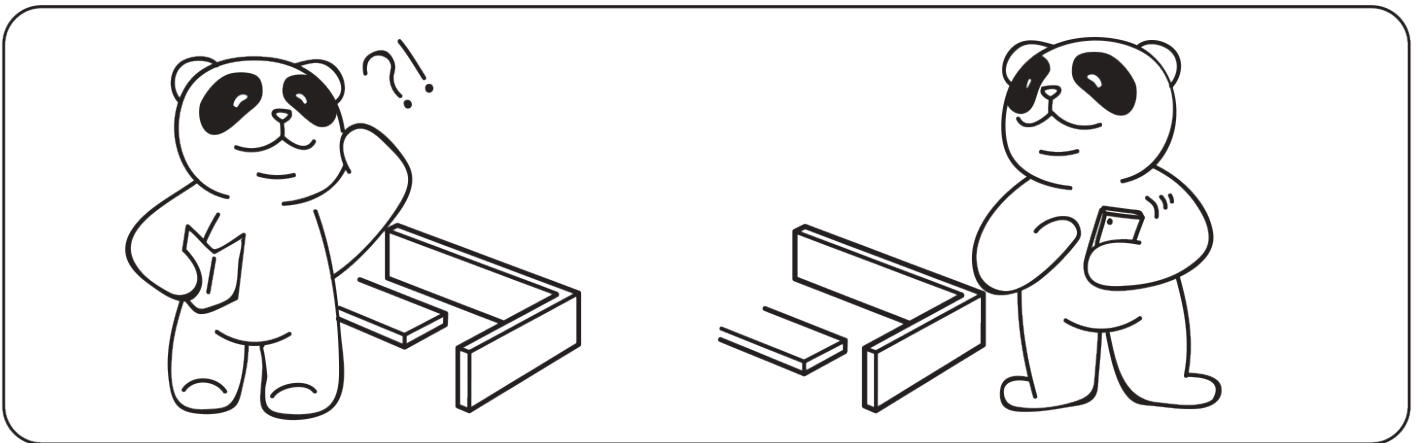
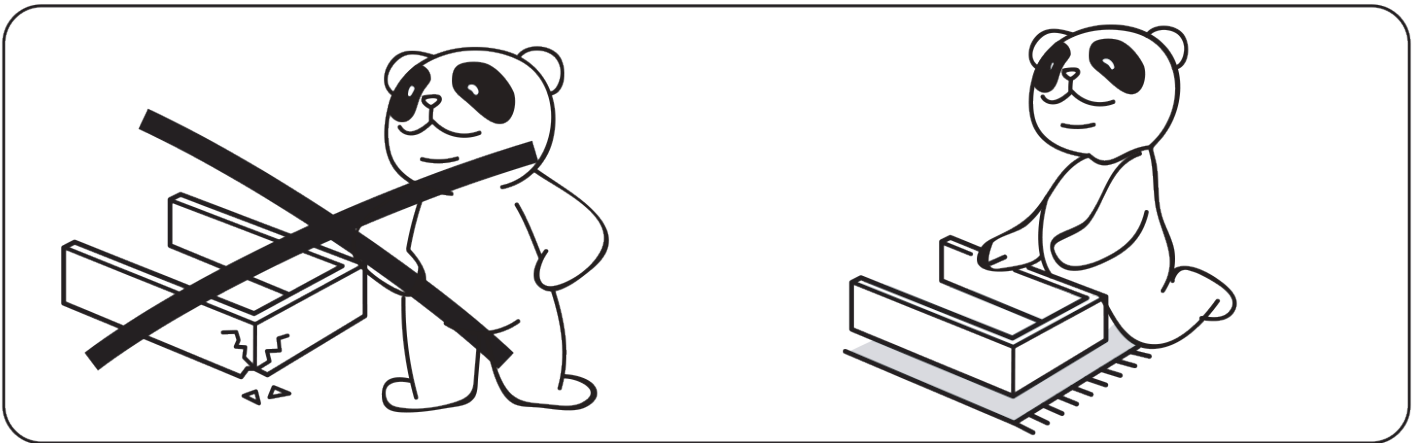
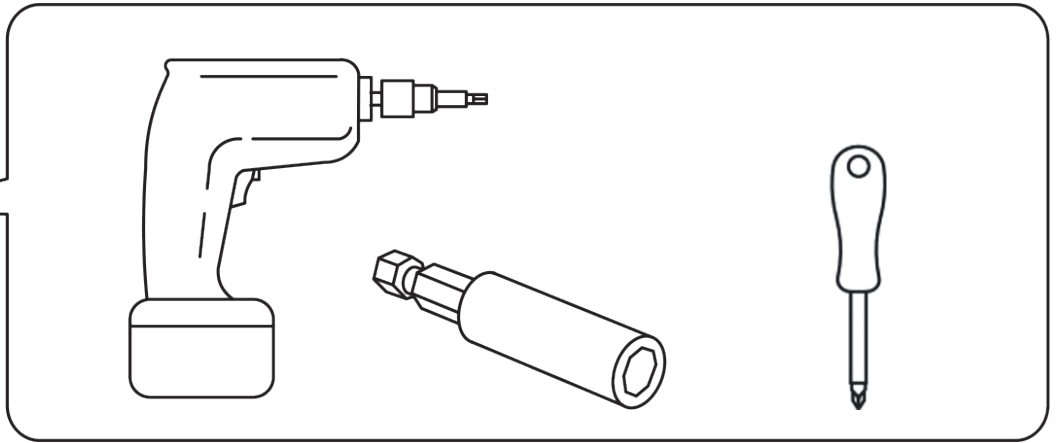


2 PERS.



180 MIN





# Installation parts



**A**

x53(+3)  
Ø6x35mm



**B**

x53(+3)  
Ø15x10mm



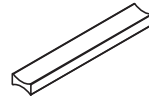
**C**

x50(+2)  
Ø6x30mm



**D**

x32(+2)



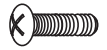
**E**

x8



**F**

x49(+3)  
Ø4x35mm



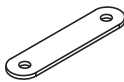
**G**

x16



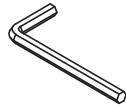
**H**

x12  
Ø3.5x12mm



**I**

x6



**J**

x1  
M4mm



**K**

x2  
Ø6x30mm



**L**

x3



**M**

x2



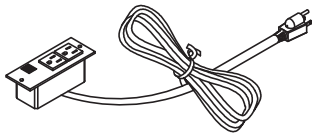
**N**

x2  
Ø4x14mm



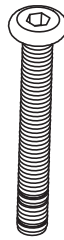
**O**

x4  
Ø6x25mm  
Ø6x12mm



**P**

x1



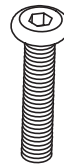
**Q**

x4  
Ø6x50mm



**R**

x4



**S**

x28  
Ø6x35mm



**T**

x4  
Ø6x25mm



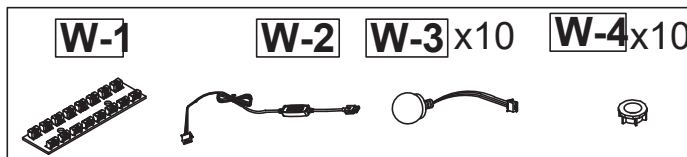
**U**

x1



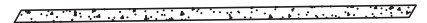
**V**

x2  
Ø3x12mm



**W**

x1



**X**

x7



**Y**

x1



**Z**

x3  
Ø4x10mm



**AA**

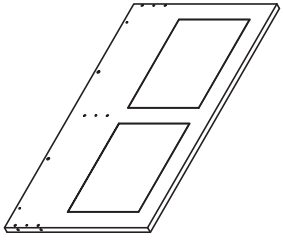
x2



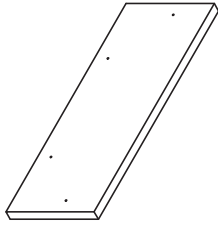
**BB**

x4  
Ø3.5x10mm

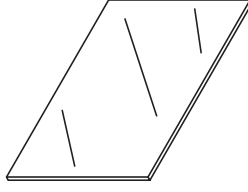
# Install the footstool



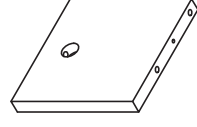
1  
x1



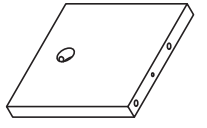
2  
x2



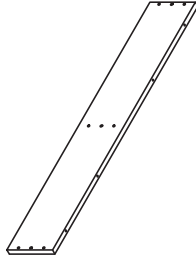
3  
x2



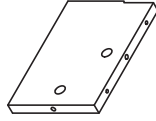
4  
x1



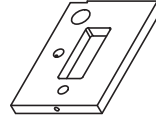
5  
x2



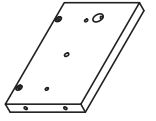
7  
x1



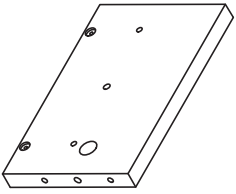
8  
x1



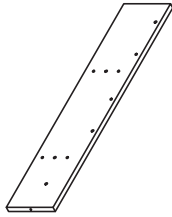
9  
x1



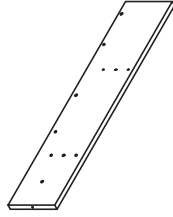
10  
x1



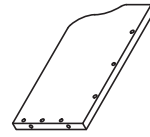
11  
x1



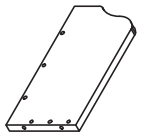
12  
x1



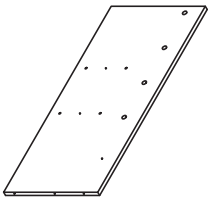
13  
x1



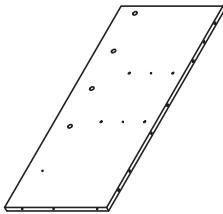
14  
x1



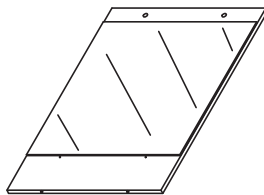
15  
x1



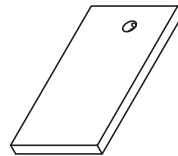
16  
x1



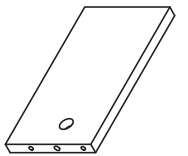
17  
x1



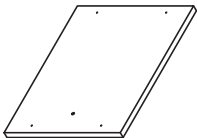
18  
x1



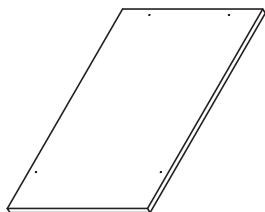
19  
x2



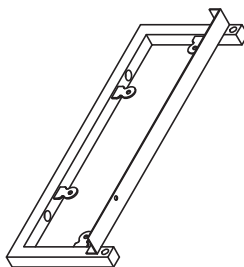
20  
x2



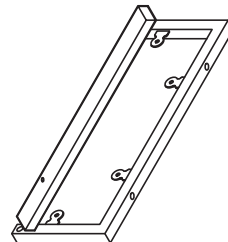
21  
x2



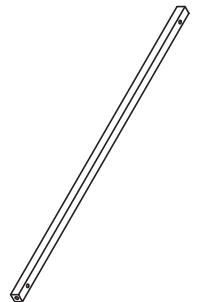
22  
x4



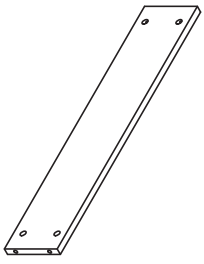
23  
x1



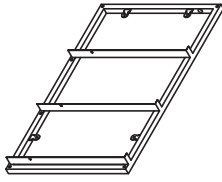
24  
x1



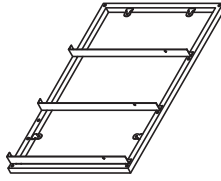
25  
x2



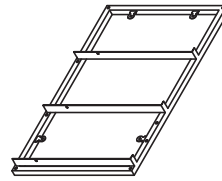
26  
x1



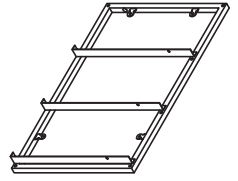
27  
x1



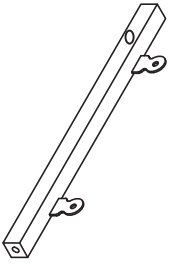
28  
x1



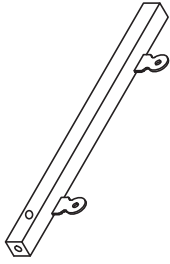
29  
x1



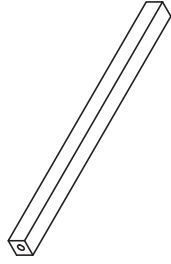
30  
x1



31  
x2

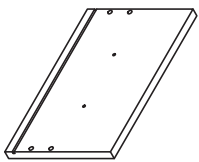


32  
x2

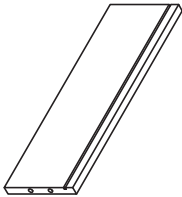


33  
x8

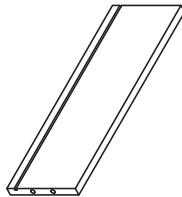
Drawer



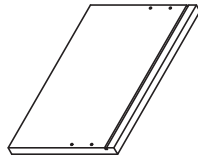
34  
x6



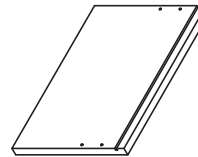
35  
x6



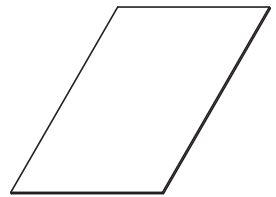
36  
x6



37  
x4

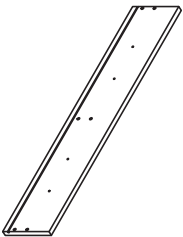


38  
x2

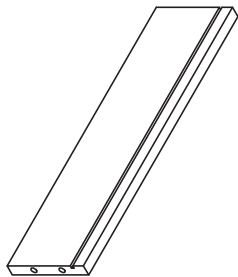


39  
x6

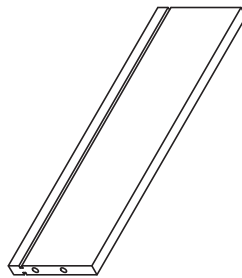
Drawer



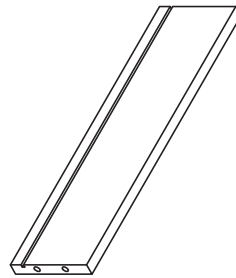
40  
x1



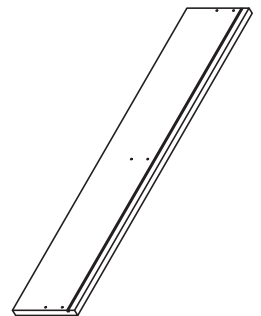
41  
x1



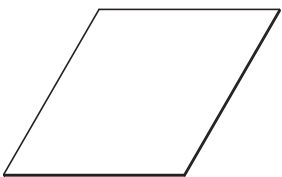
42  
x1



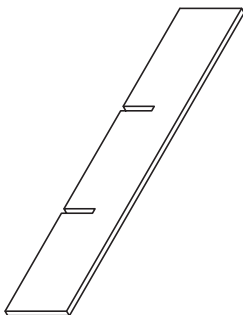
43  
x1



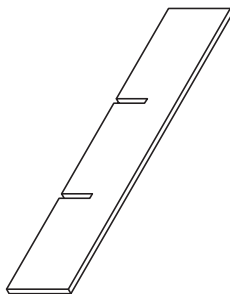
44  
x1



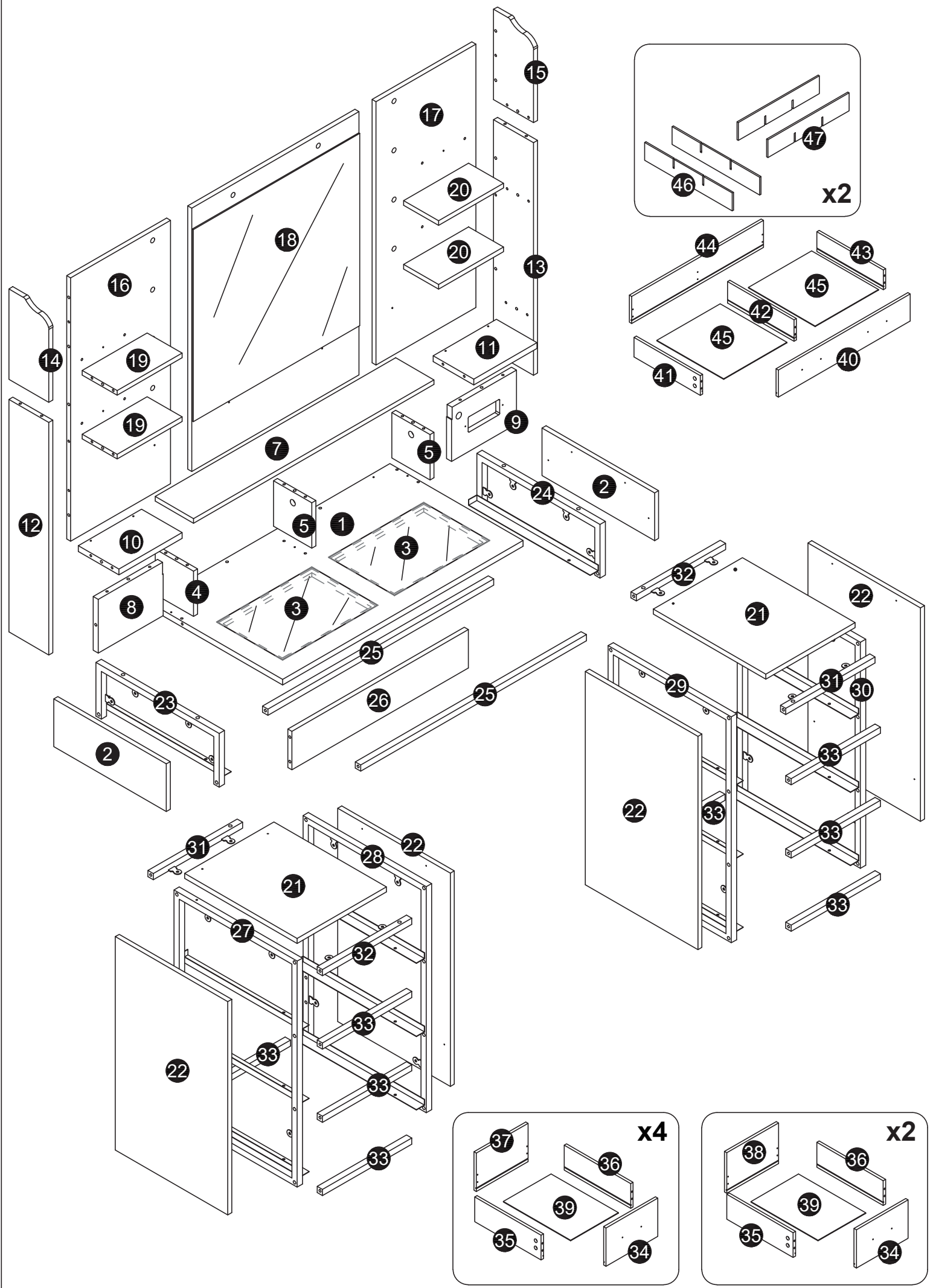
45  
x2



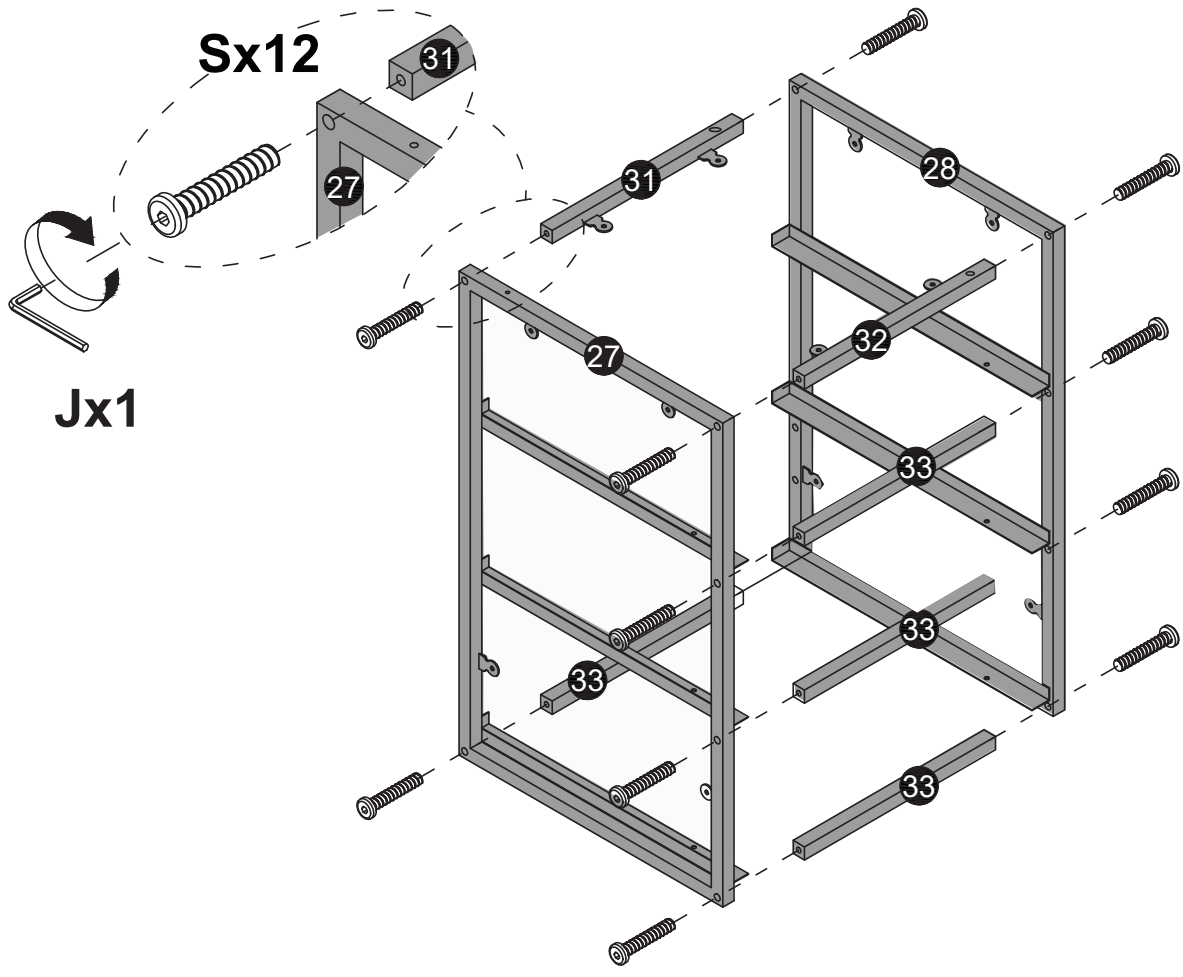
46  
x4



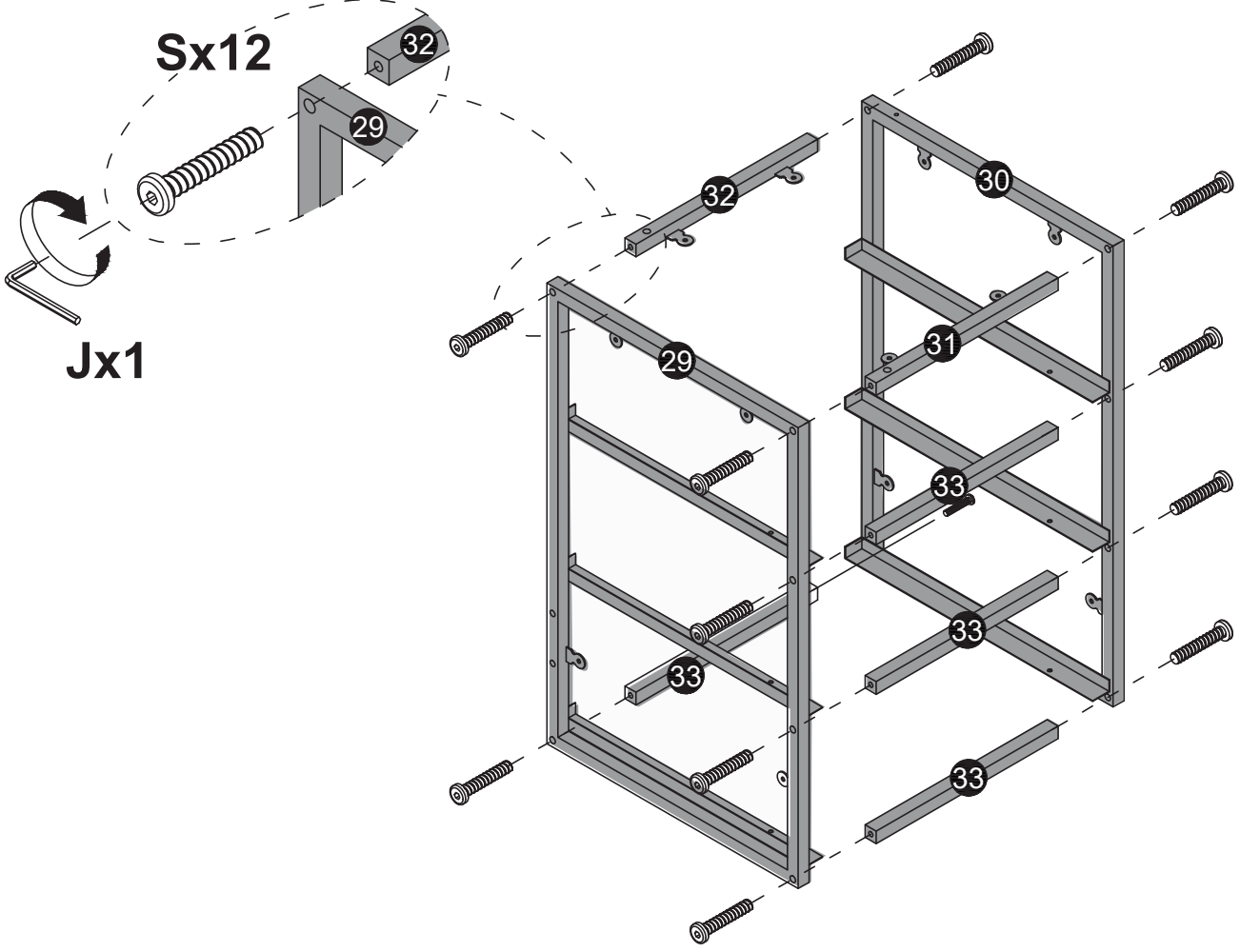
47  
x4



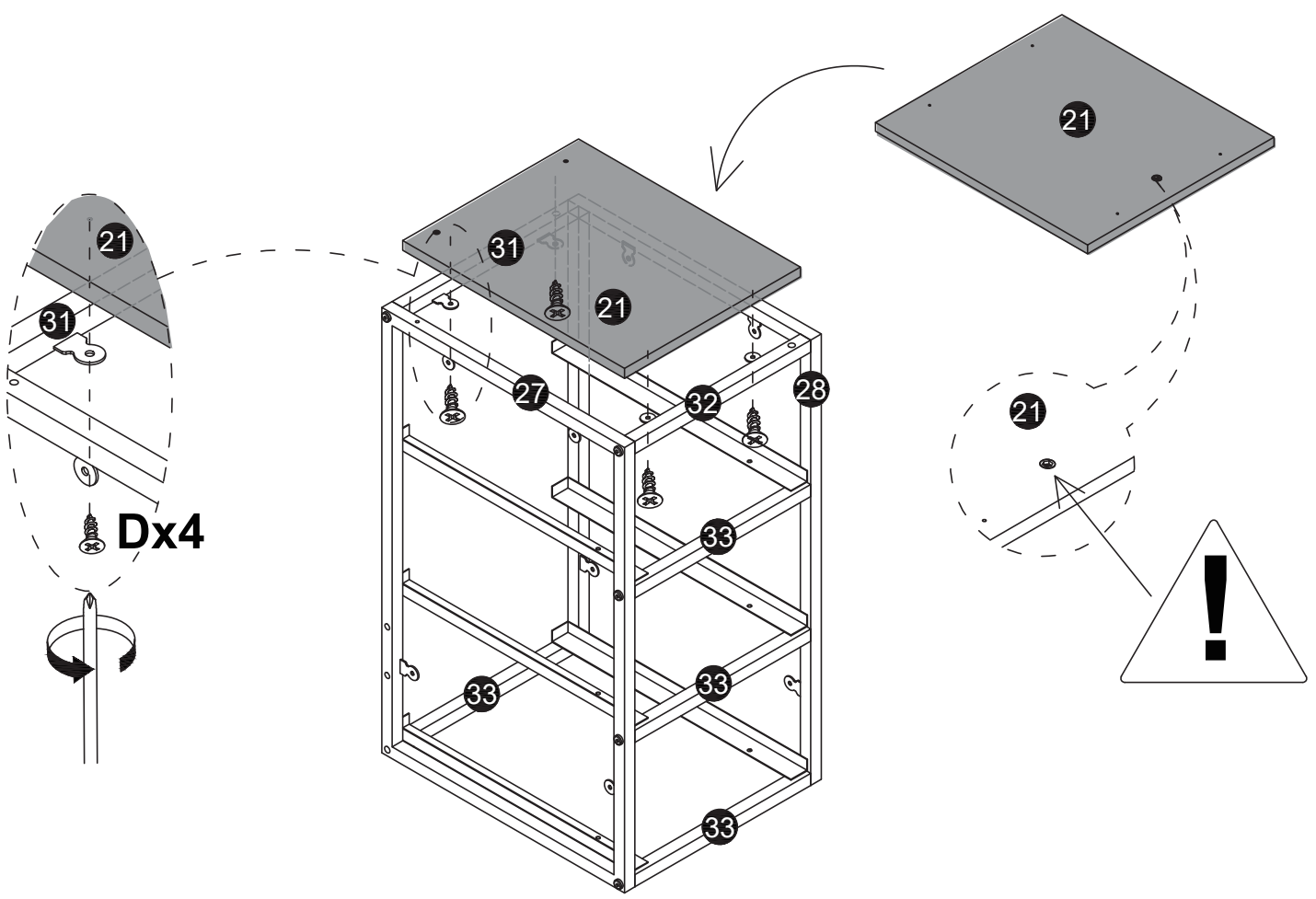
1



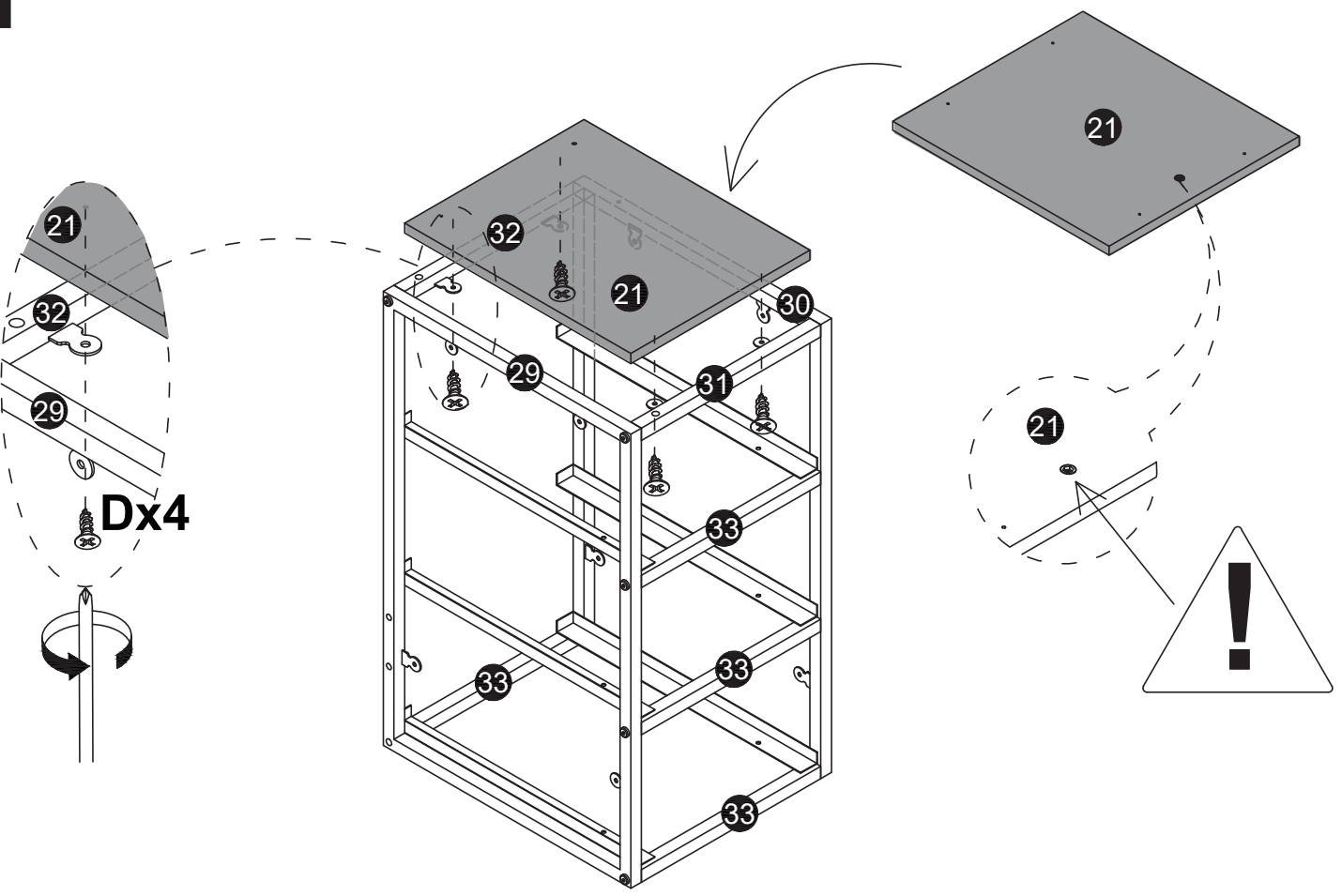
2



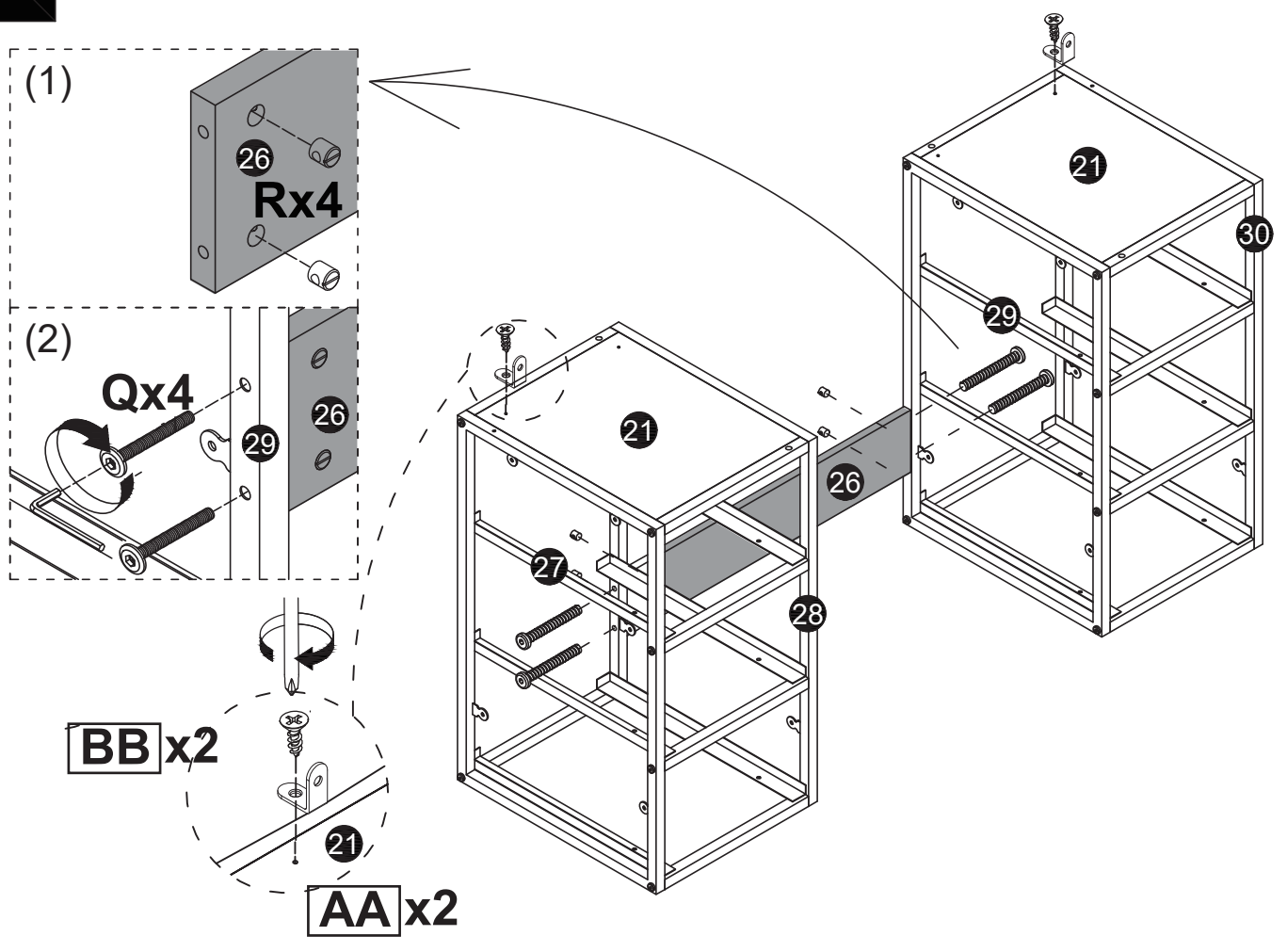
3



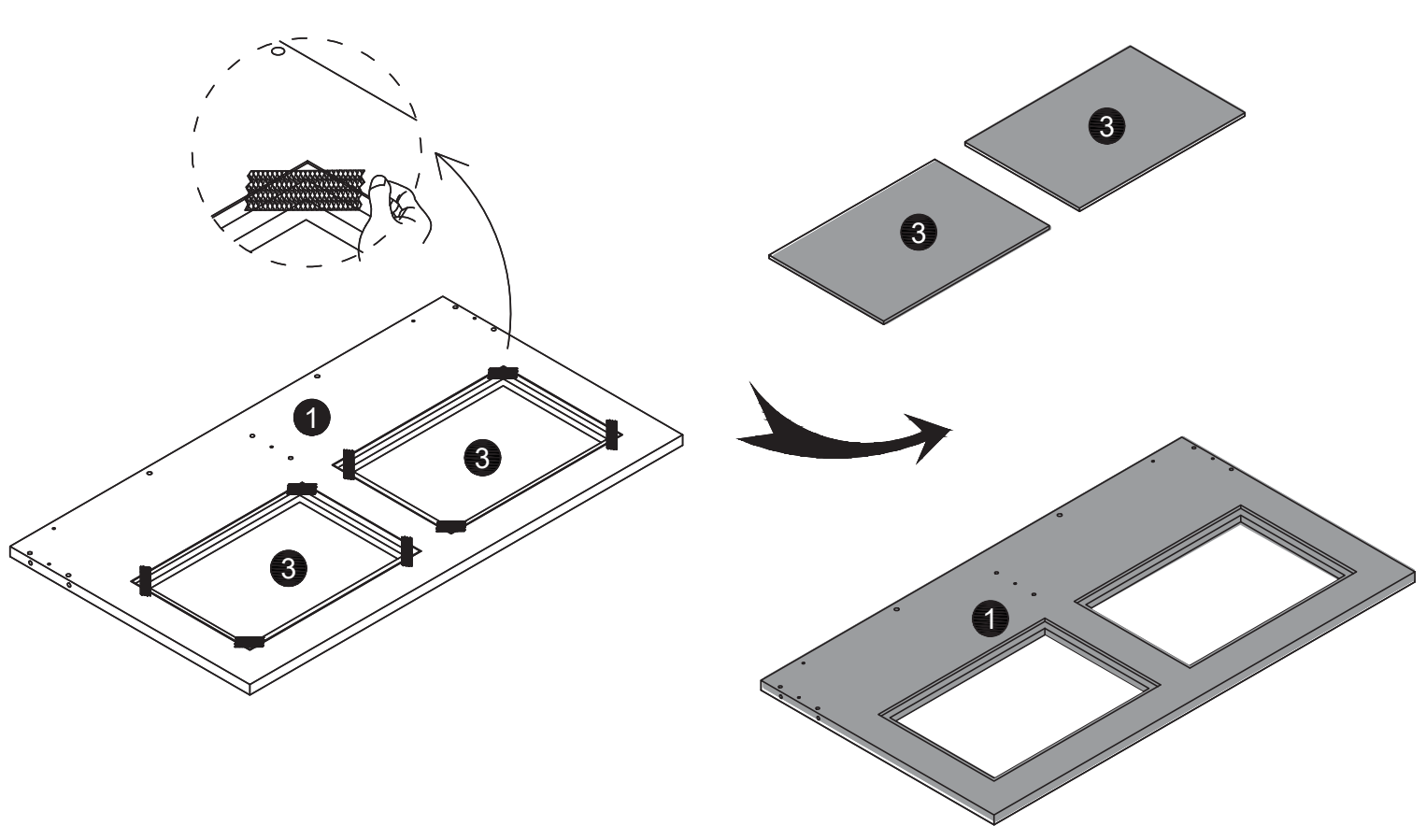
4



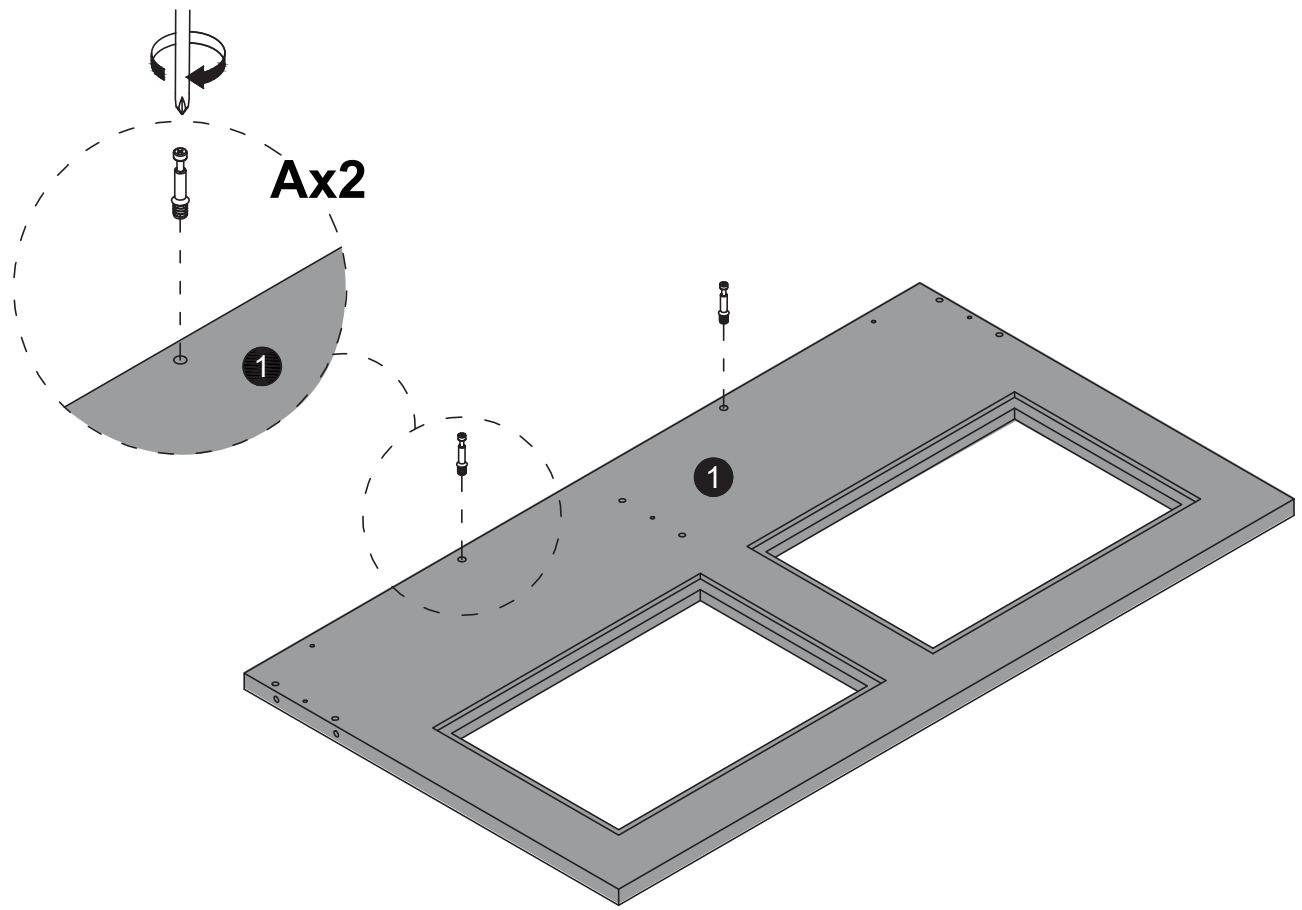
**5**



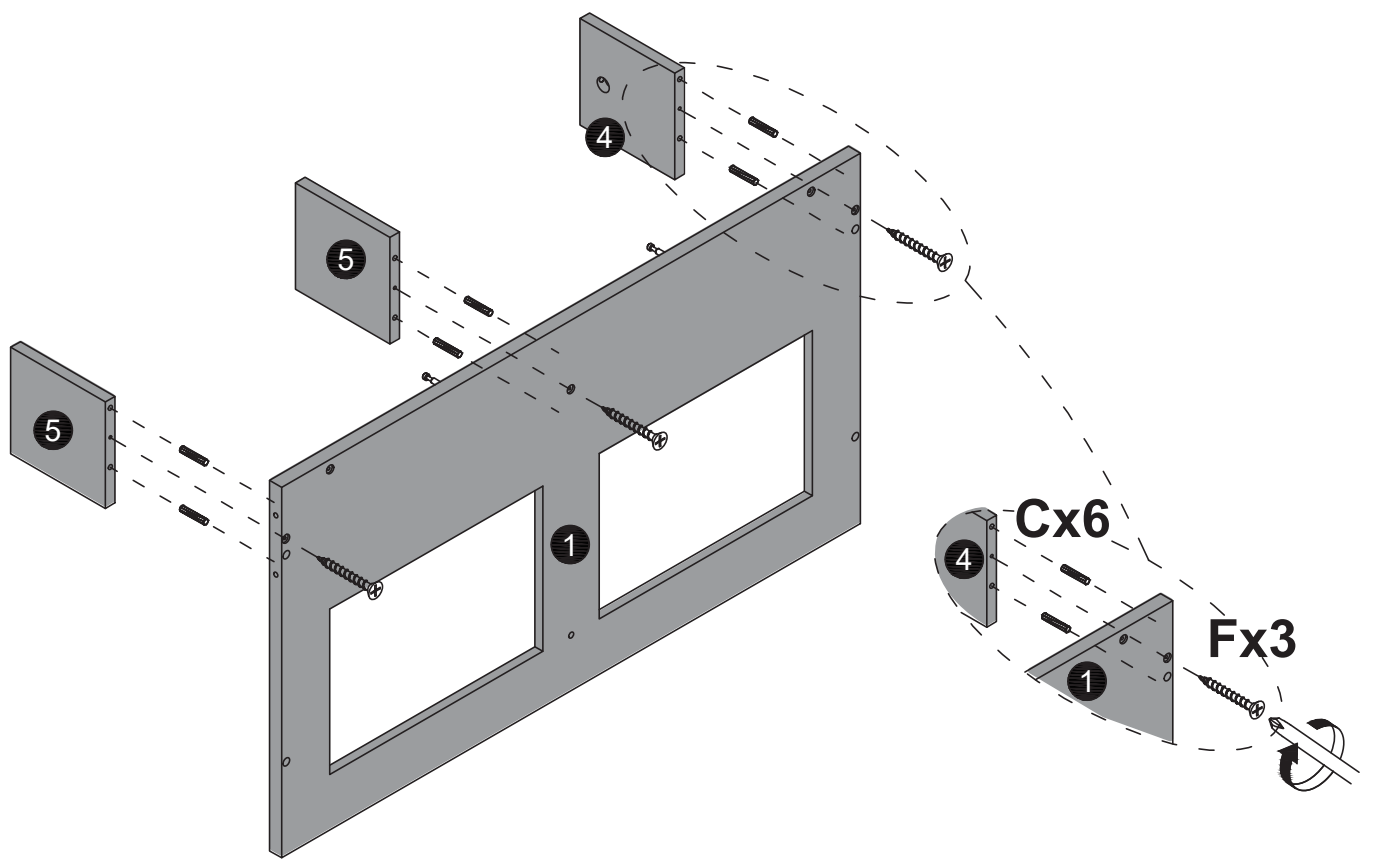
**6**

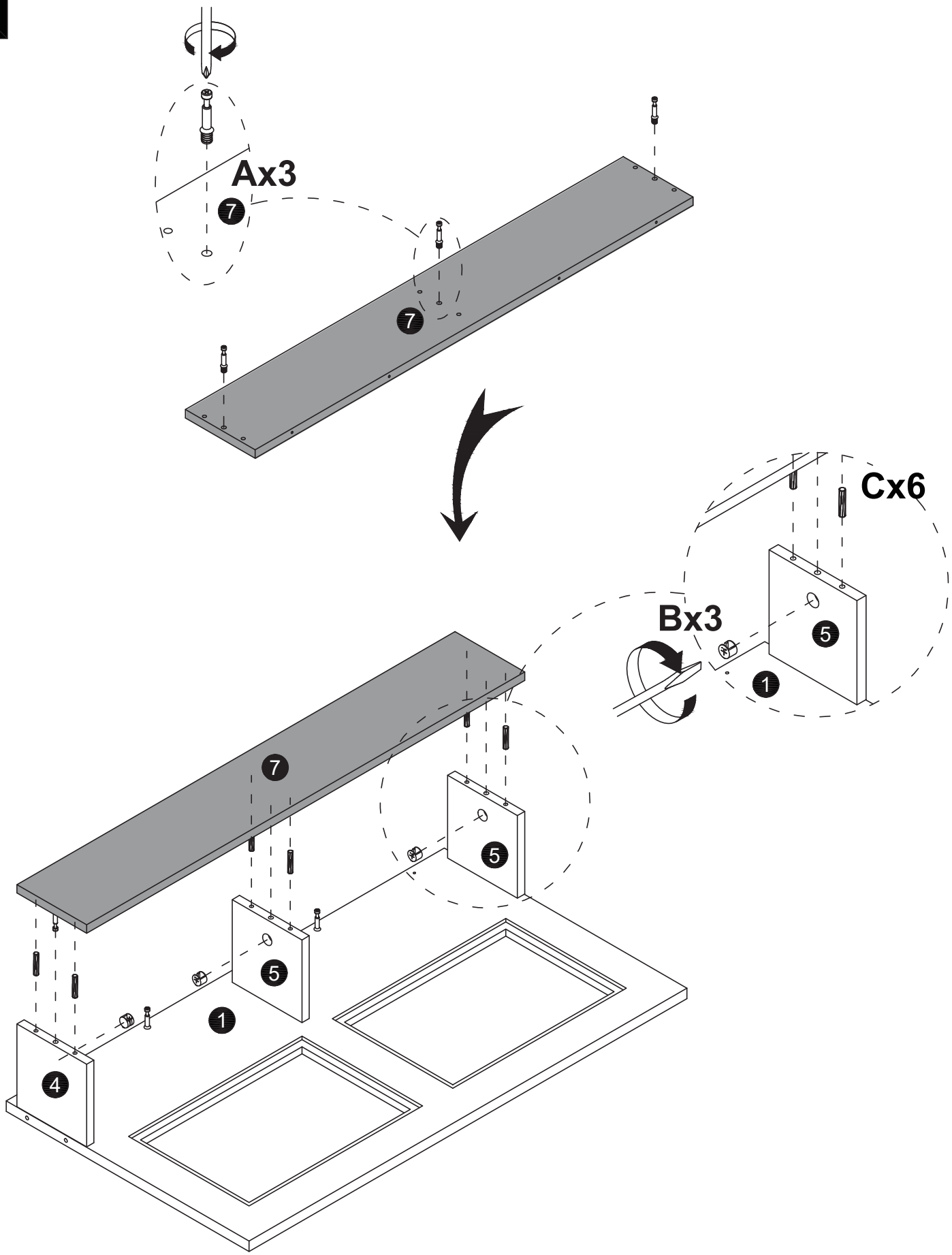


7

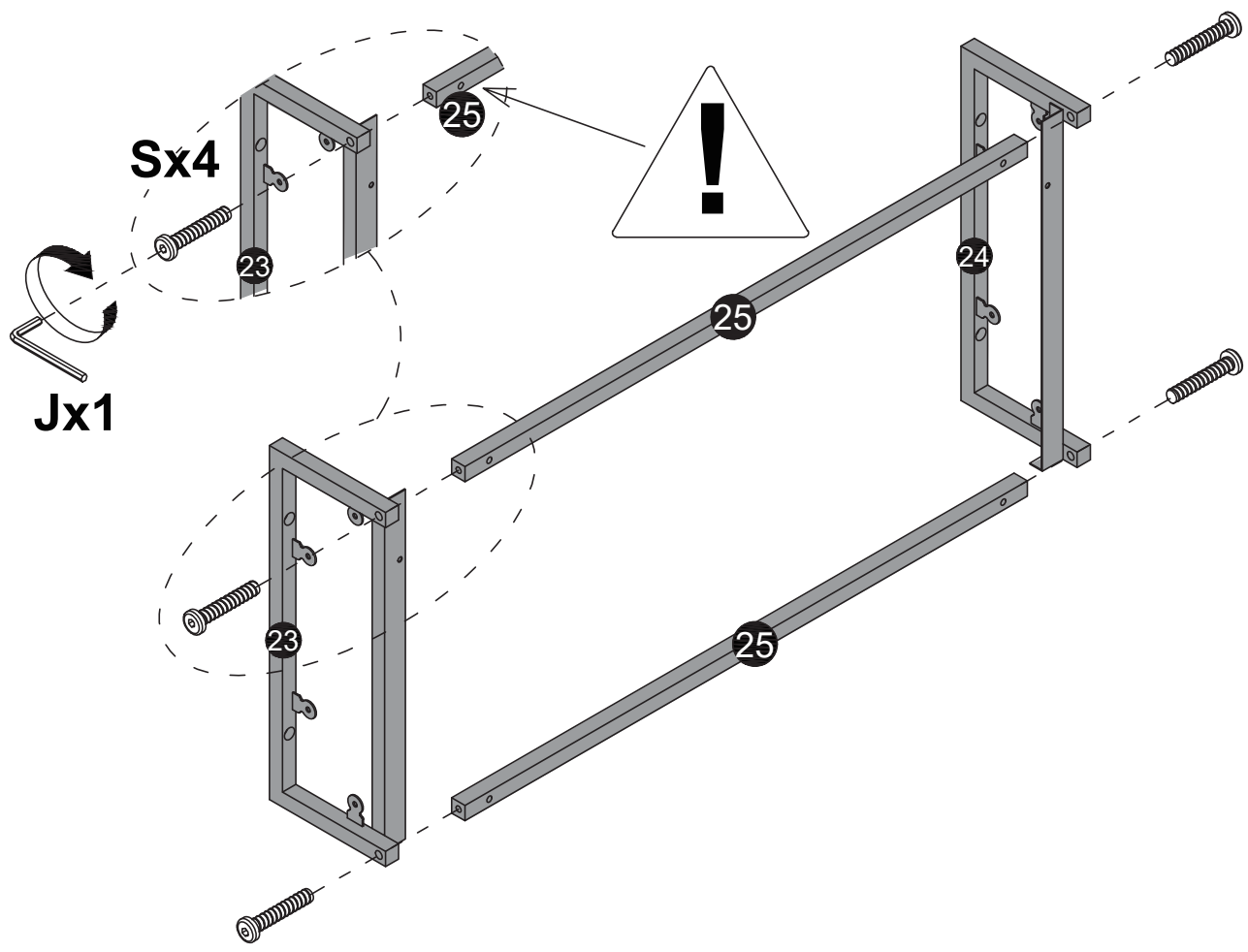


8

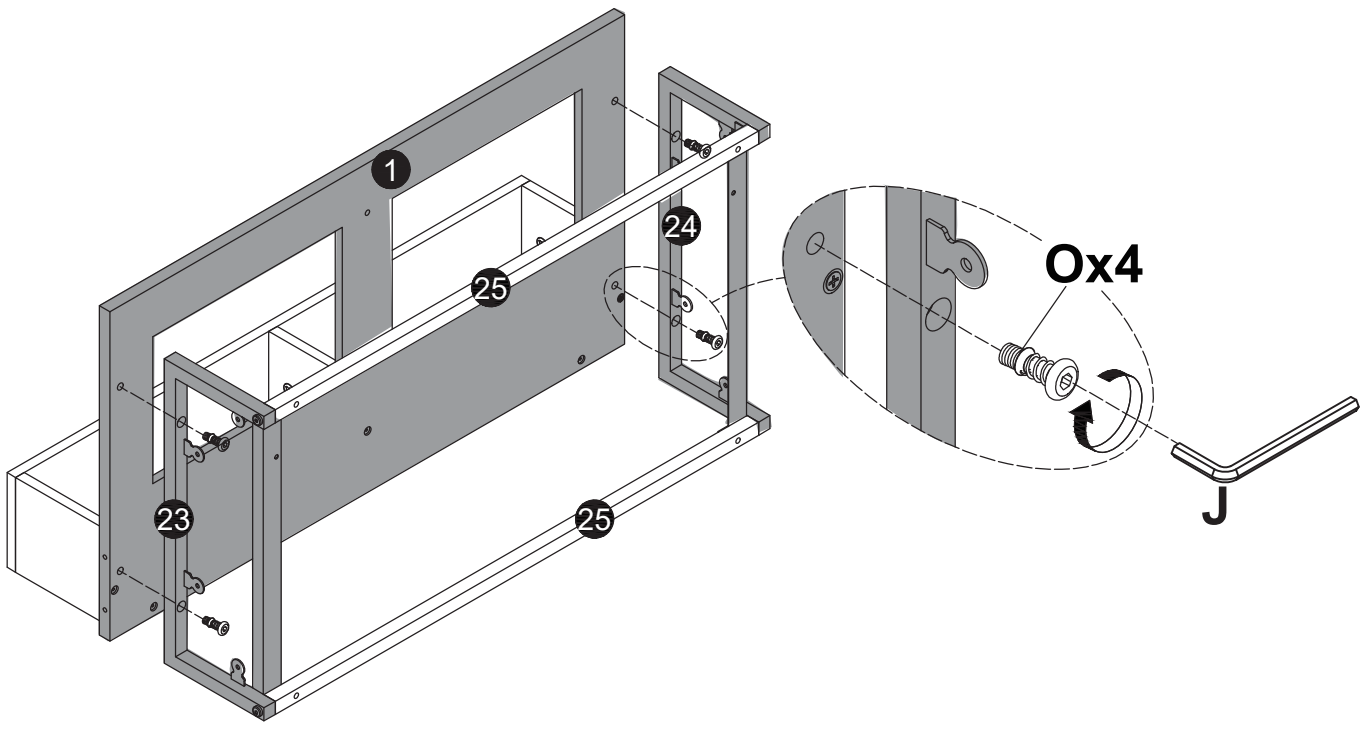


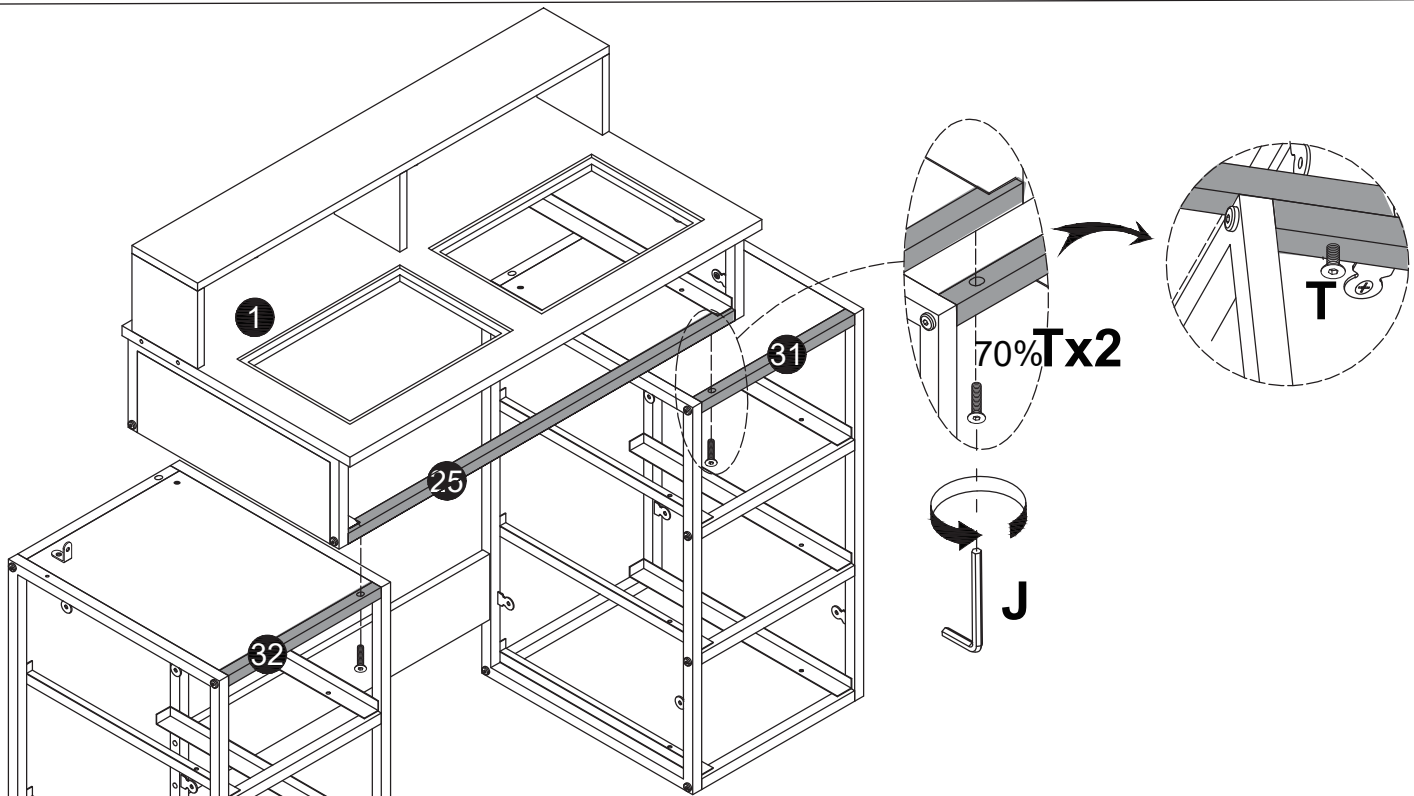
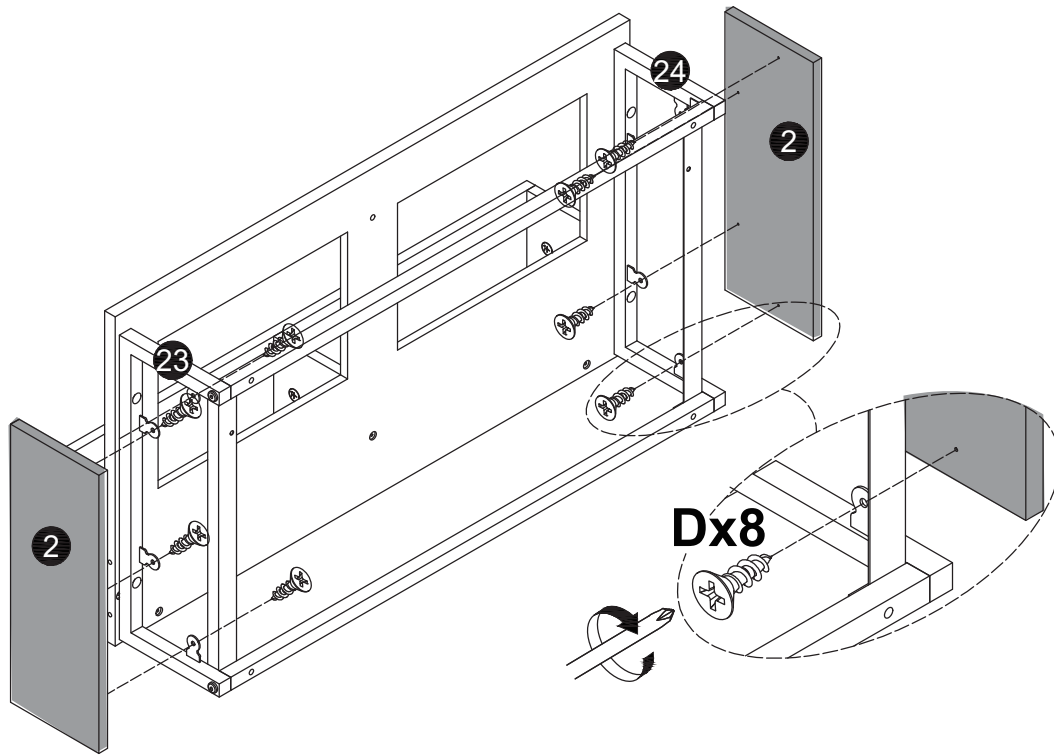


10



11

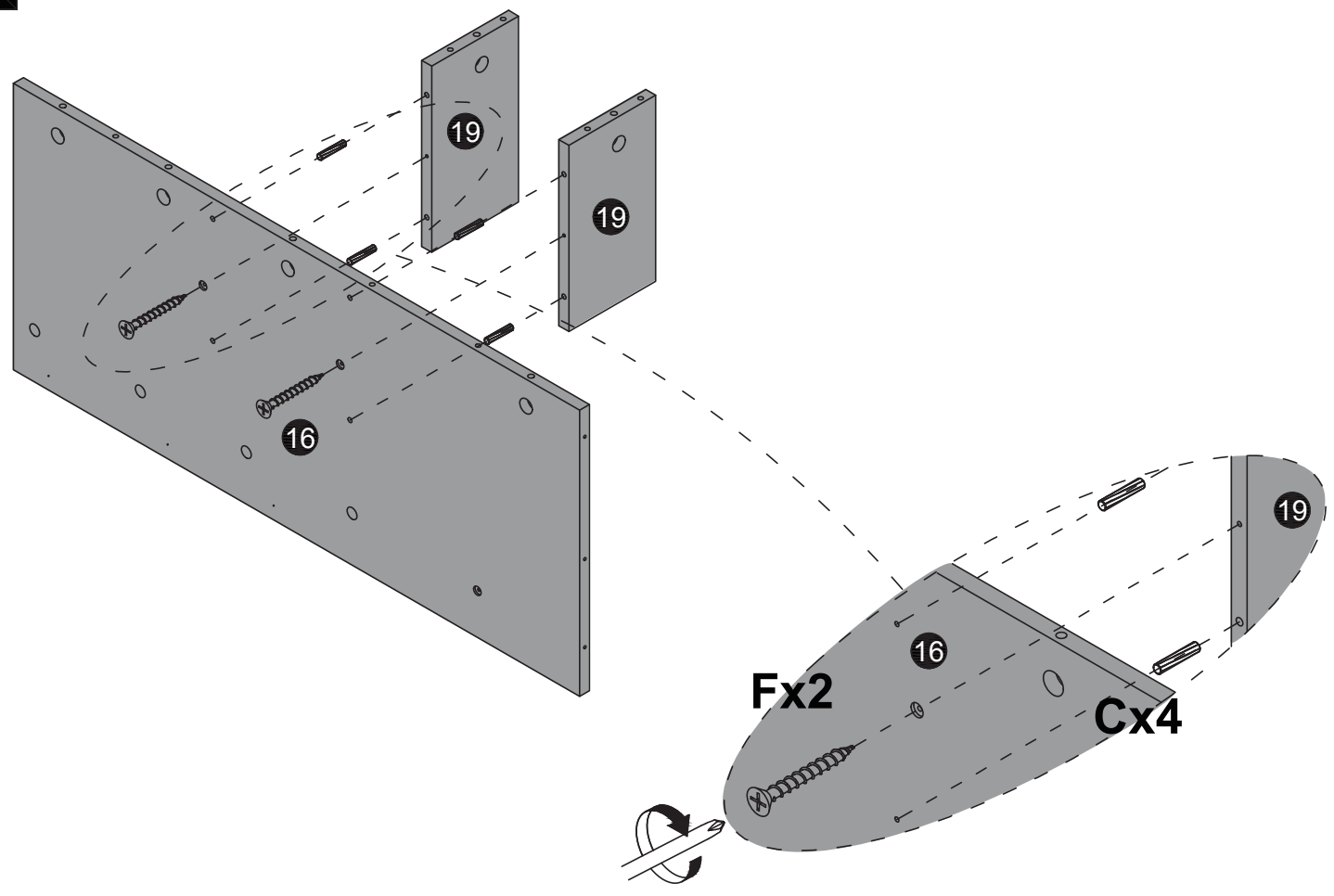




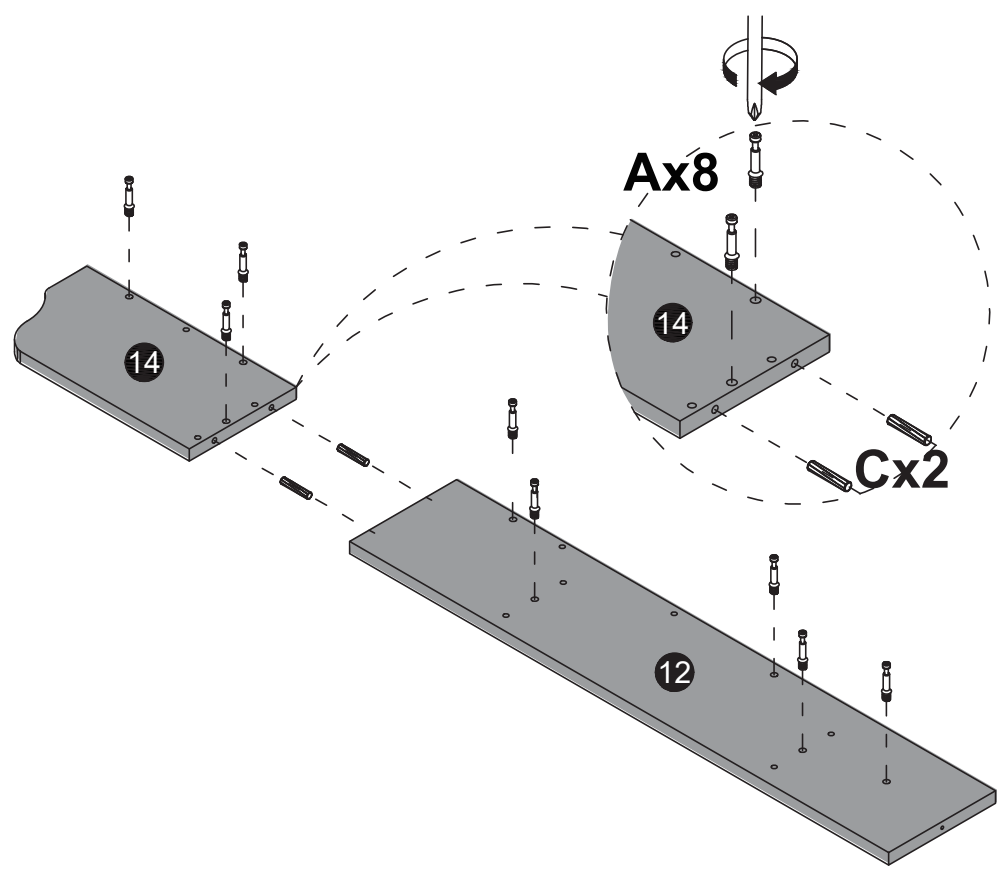
Attention, when locking the screw (T), please do not fully lock it, please lock 70%

<p>70%</p>	<p>70%</p>	✓
	<p>100%</p>	✗

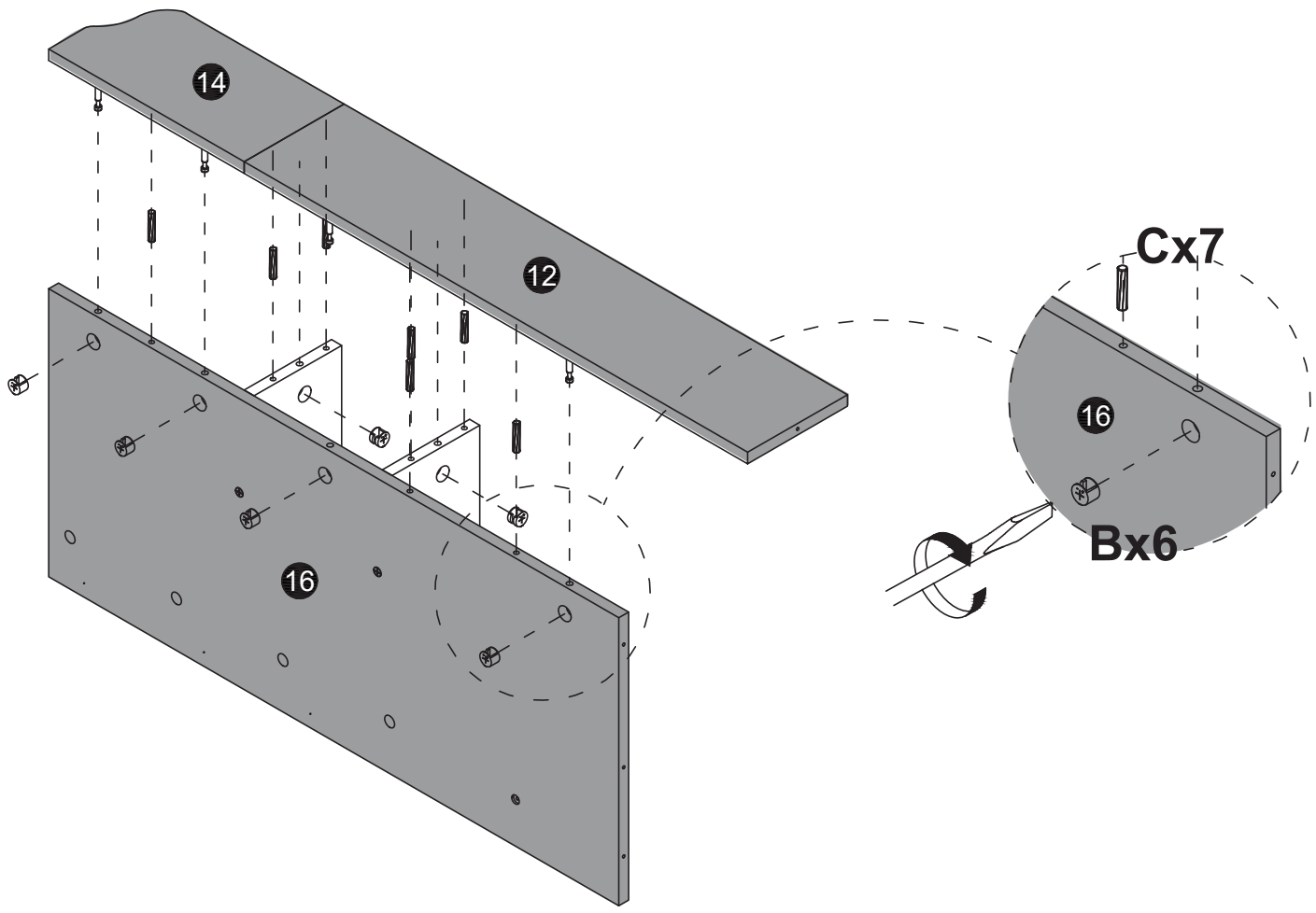
14



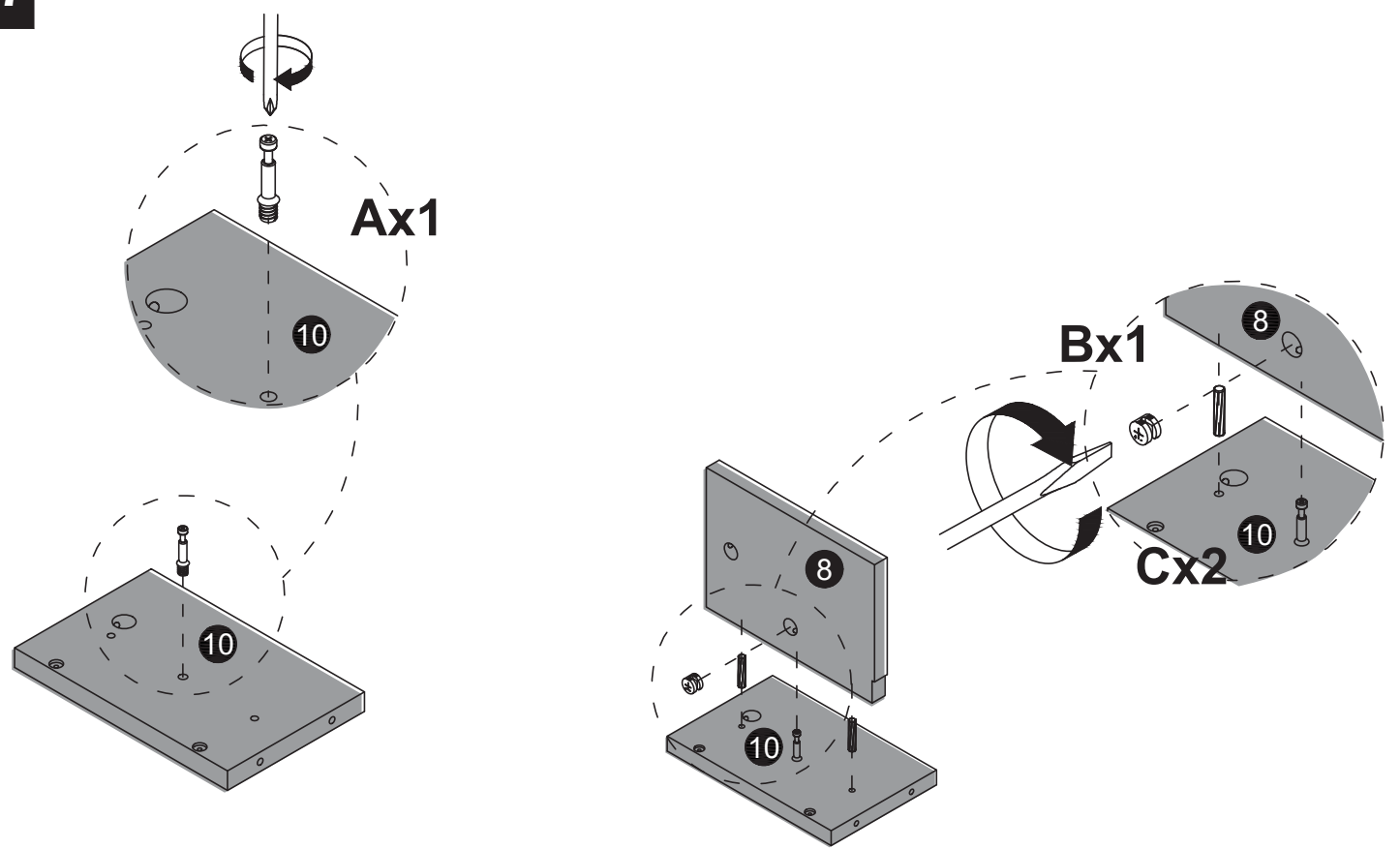
15

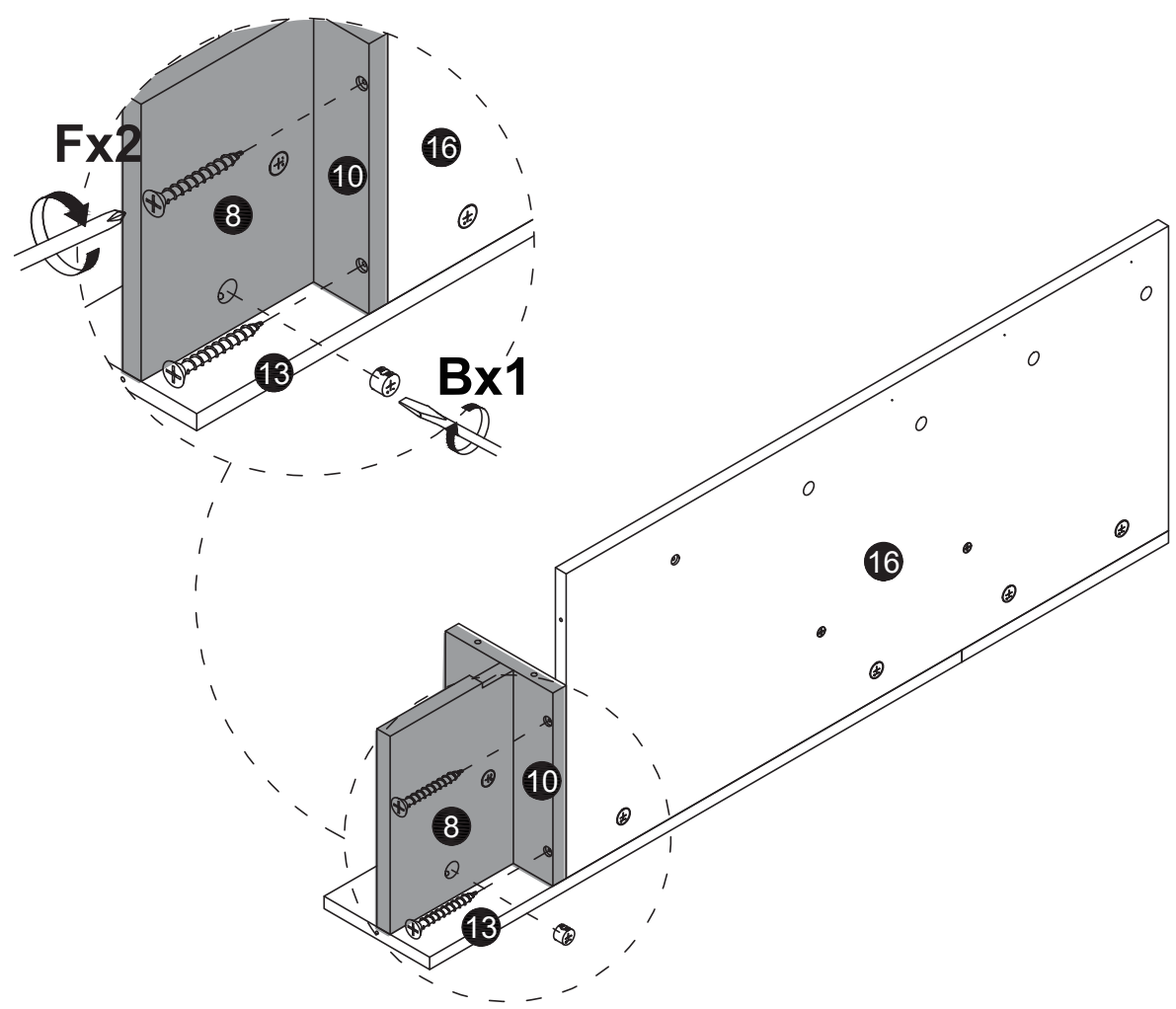
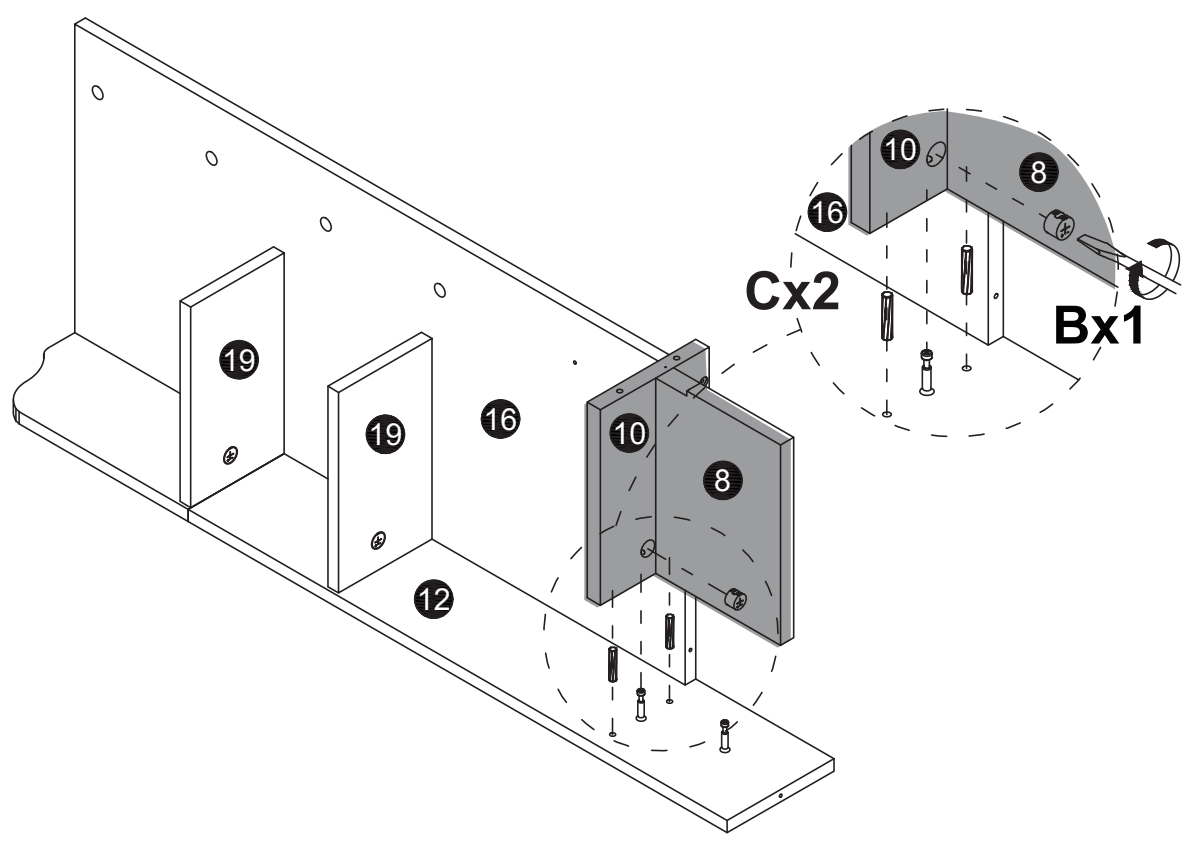


16

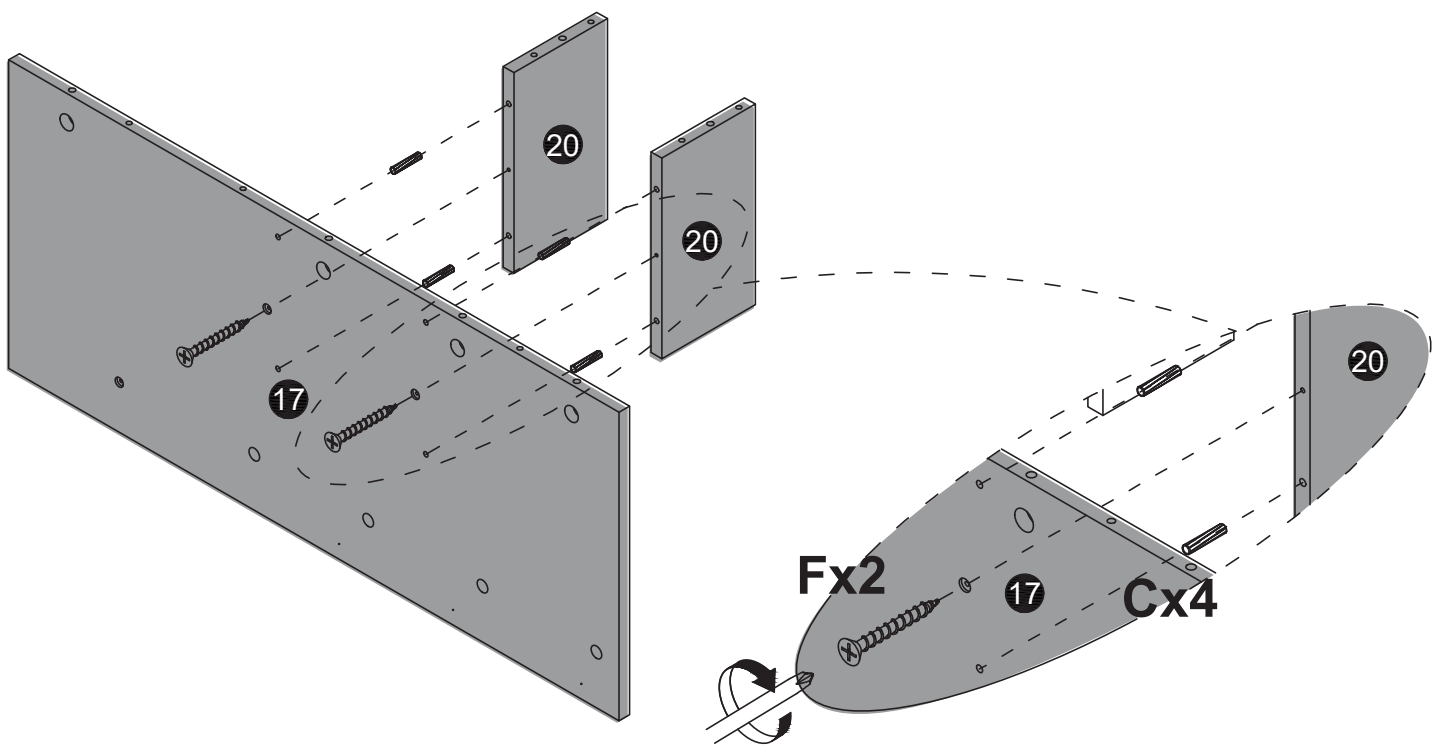


17

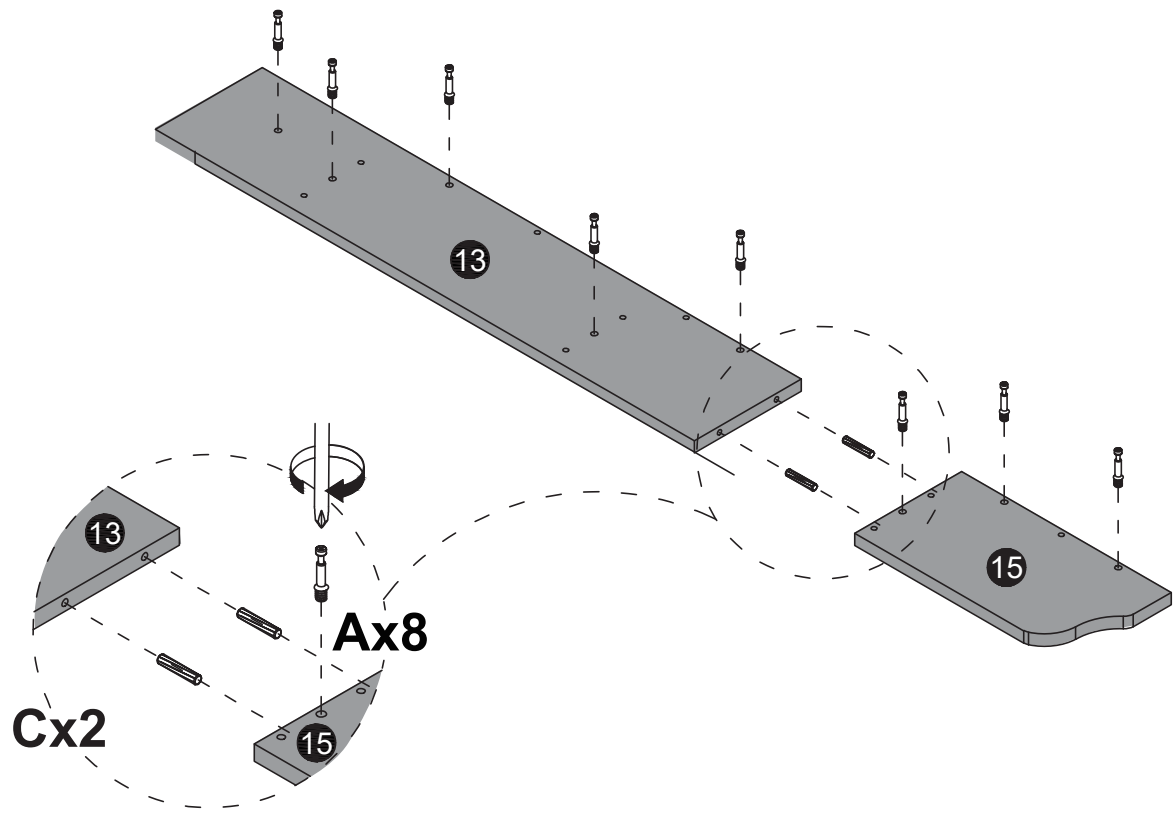


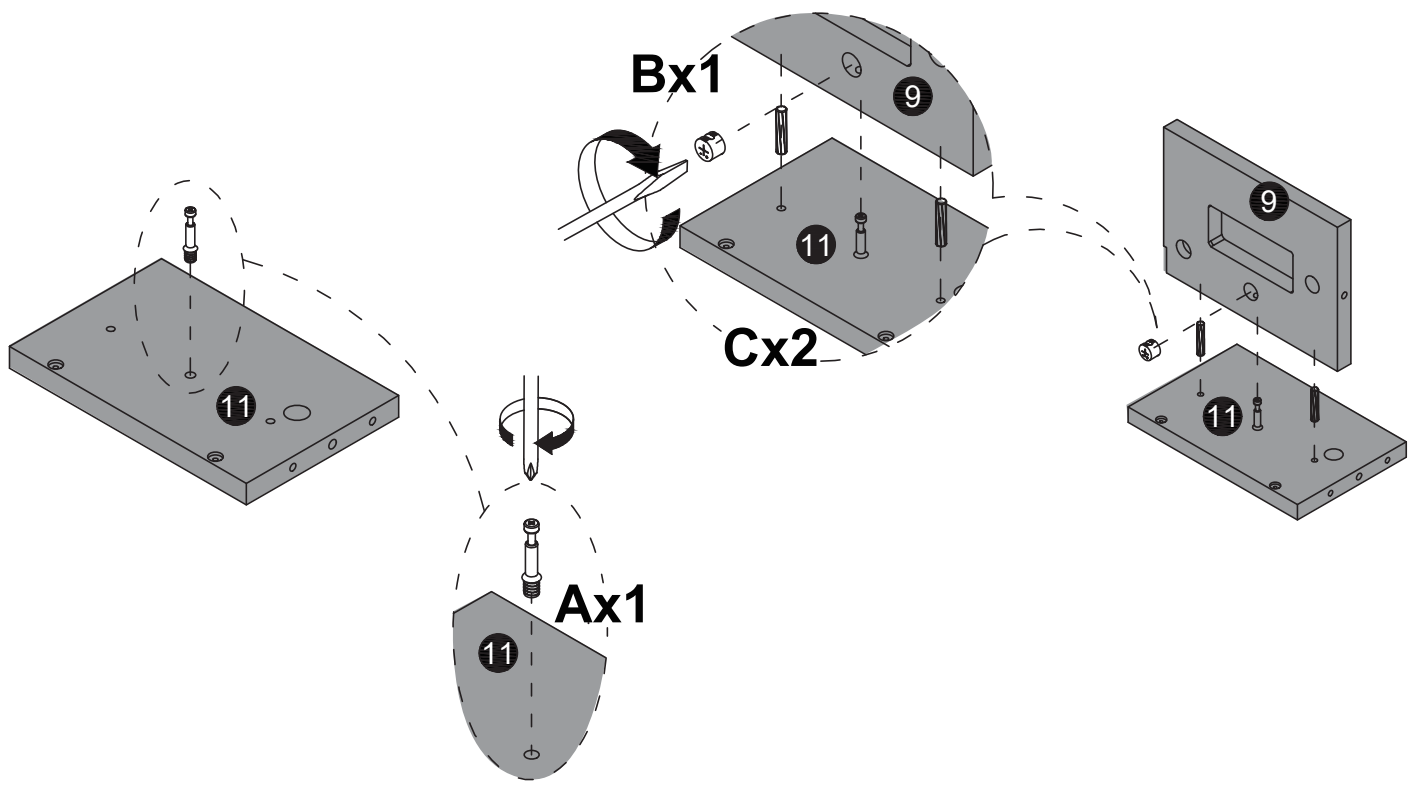
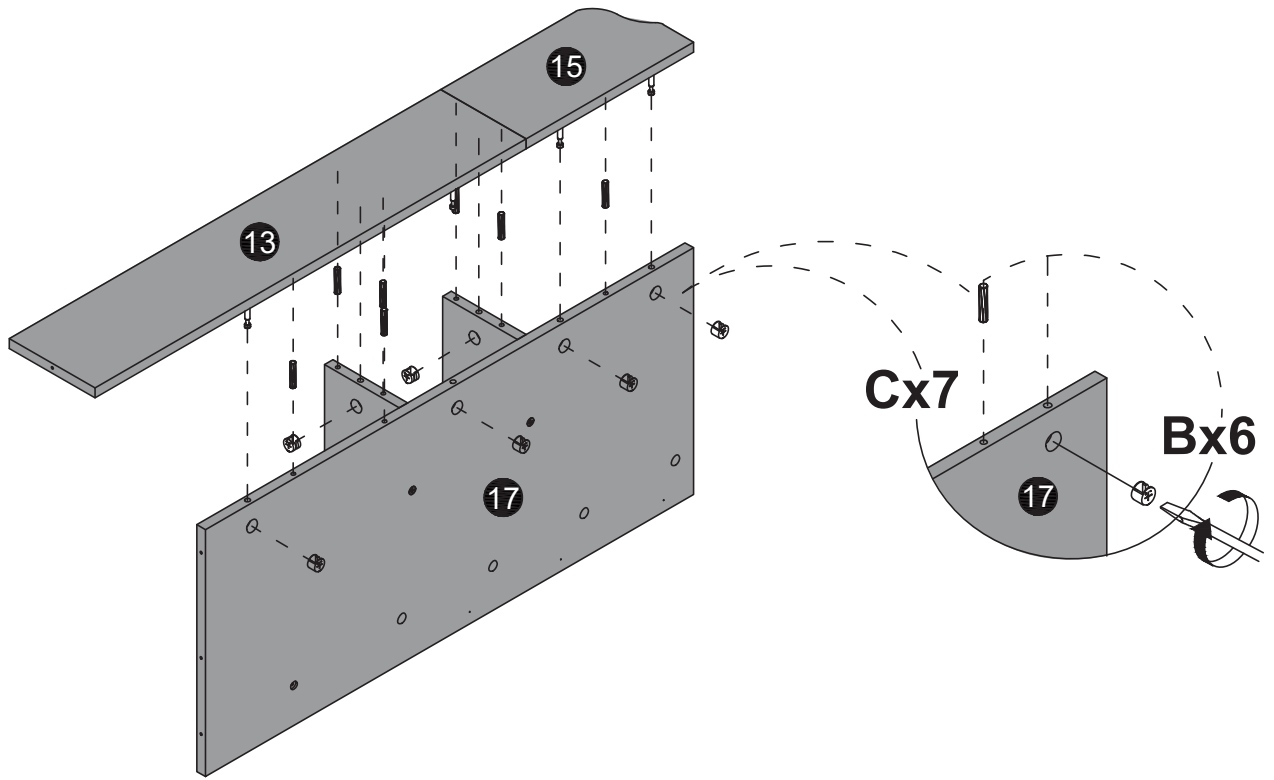


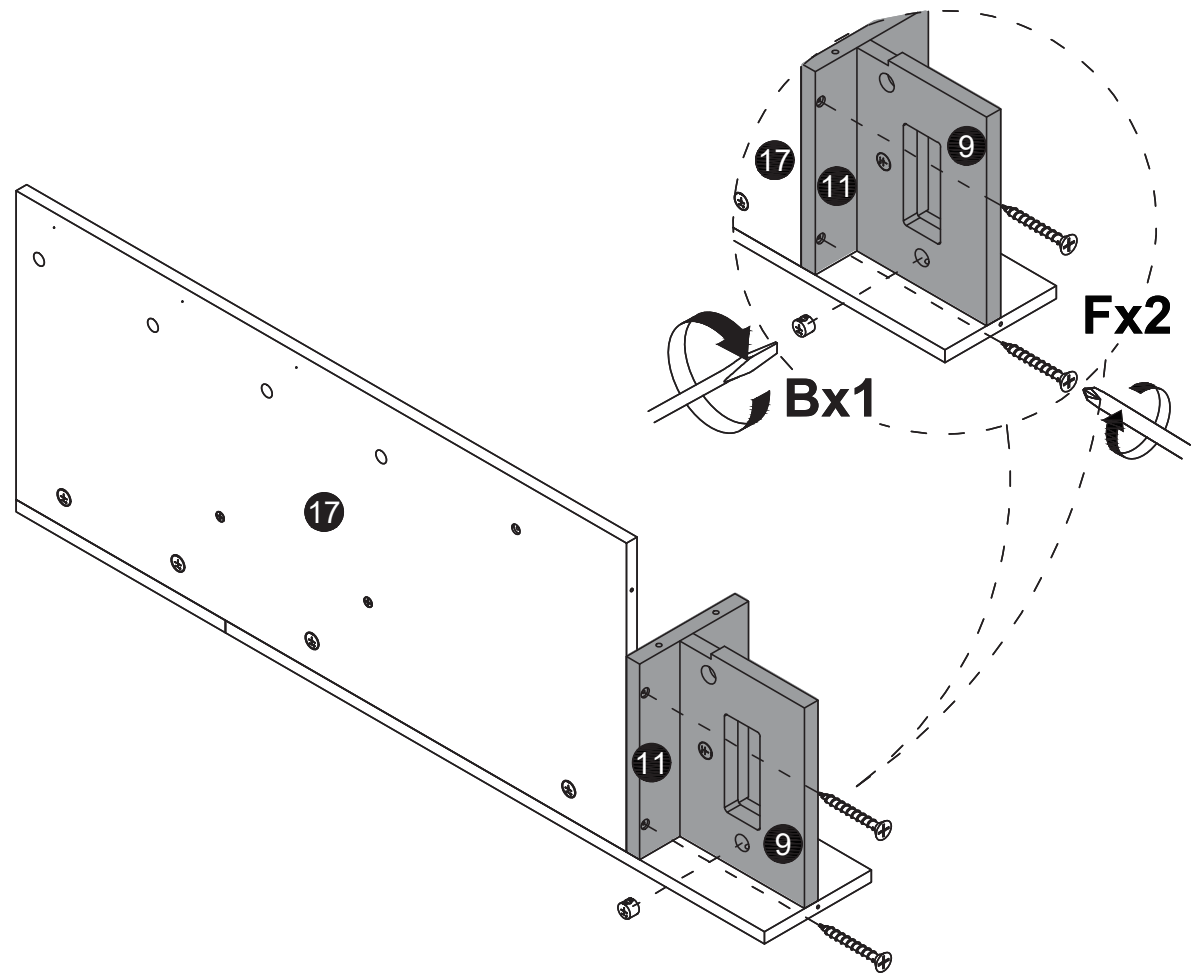
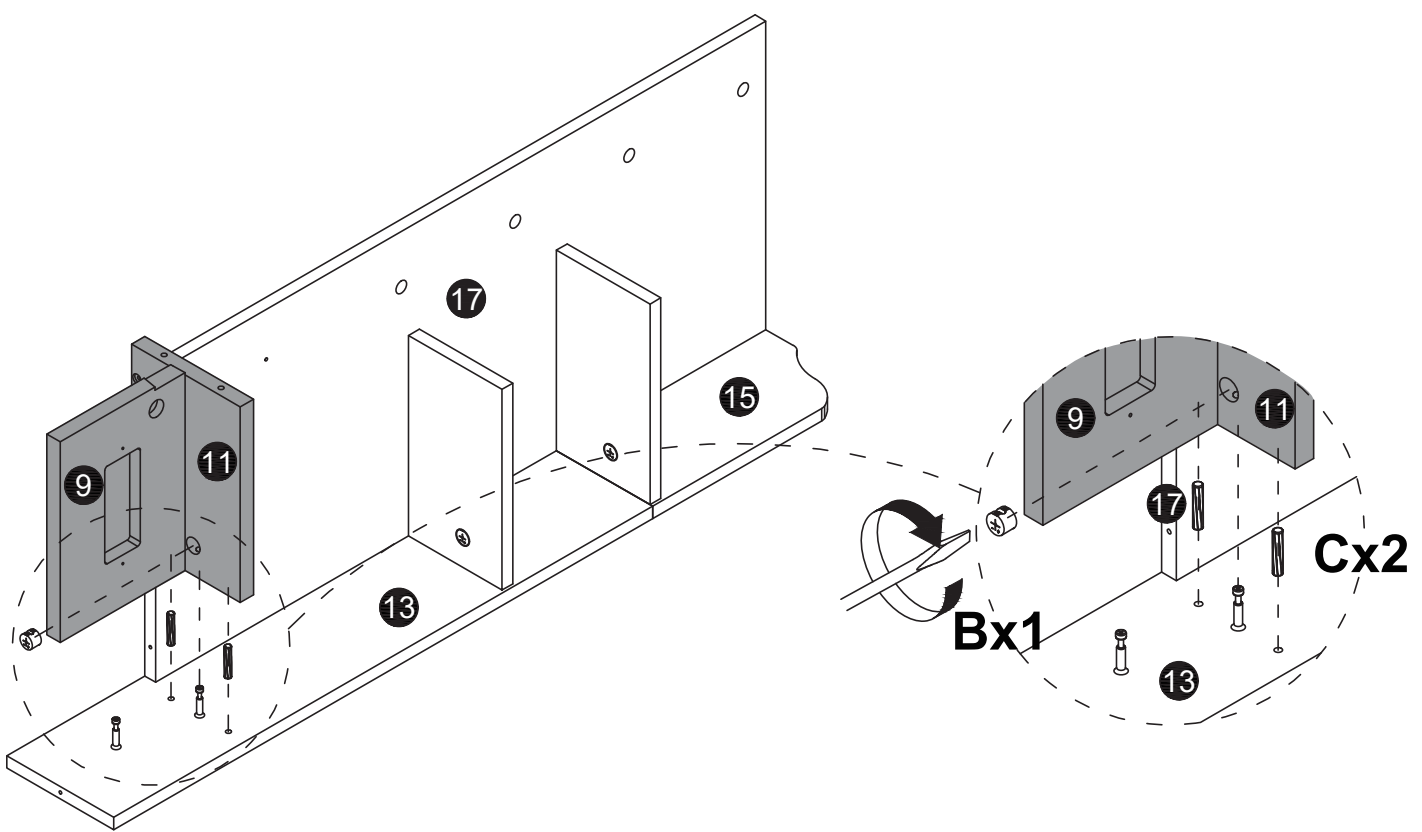
20

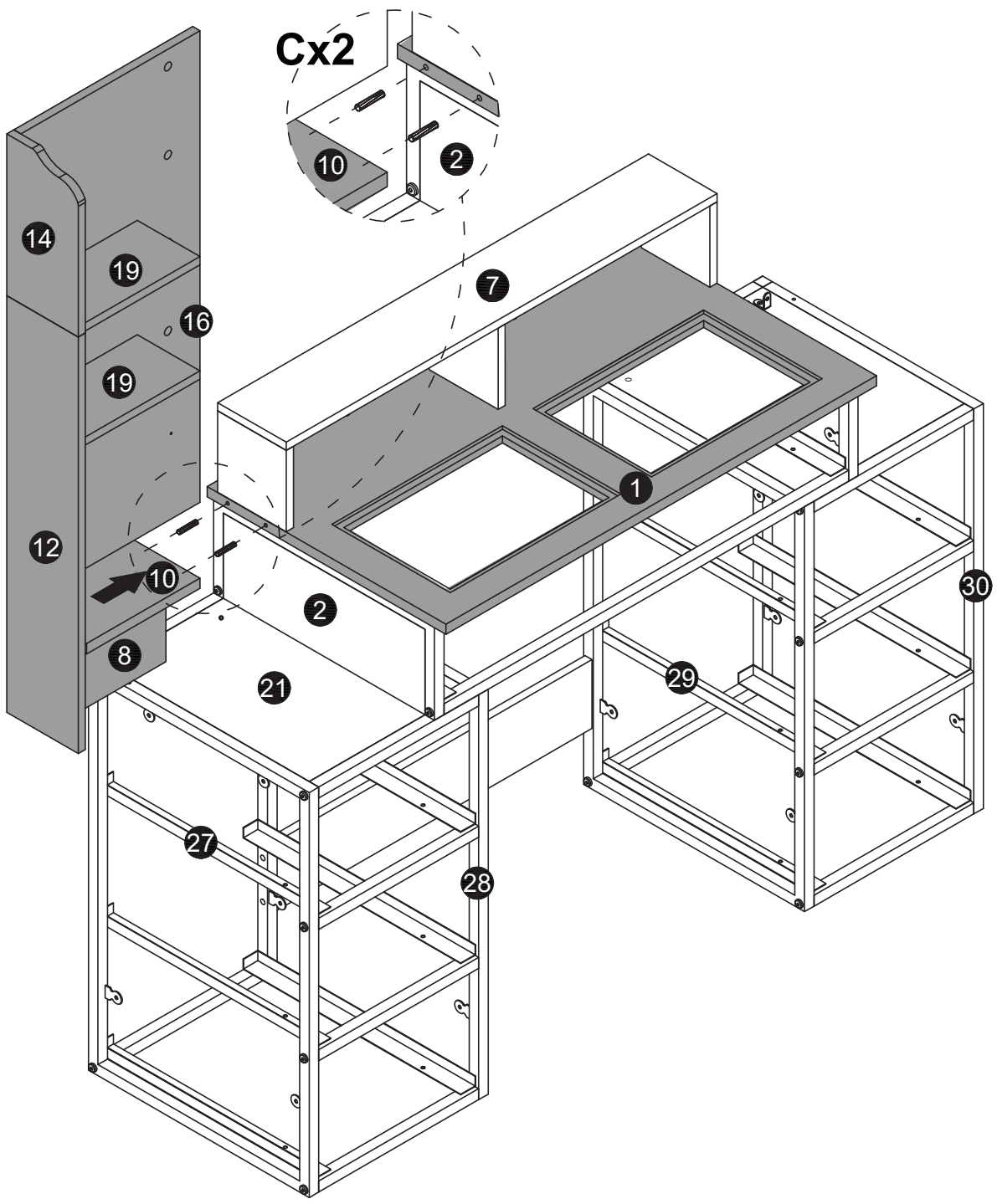


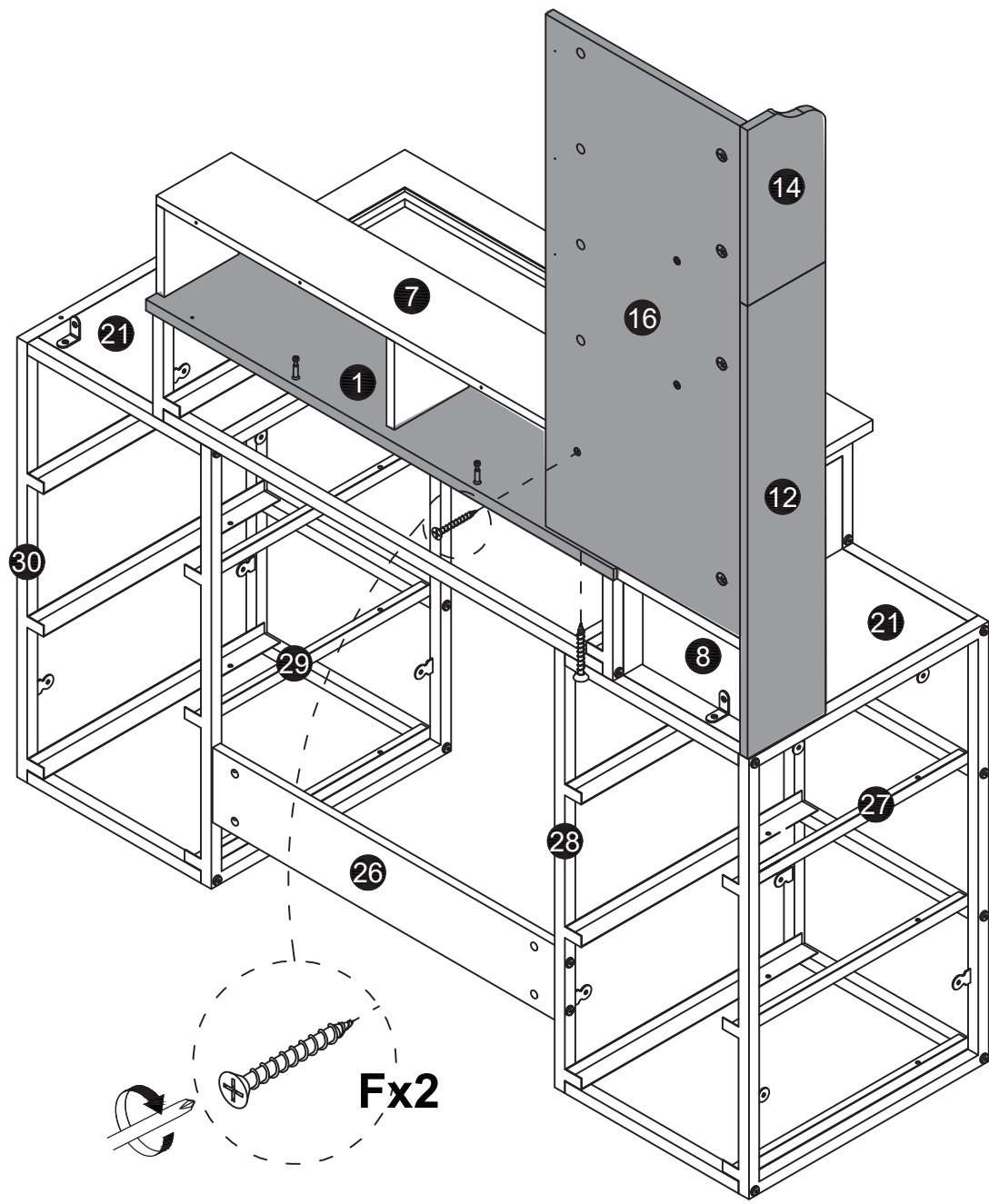
21

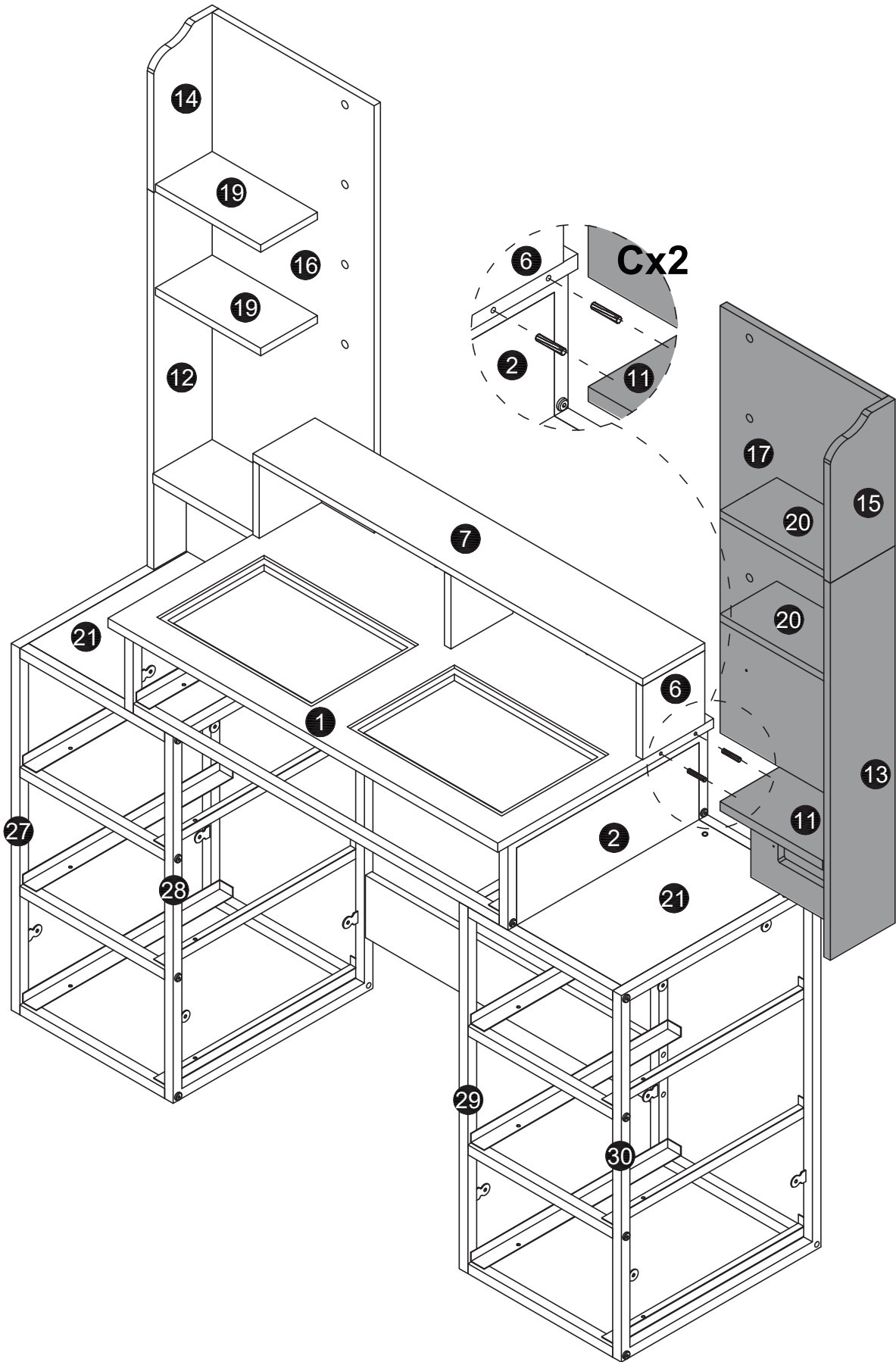


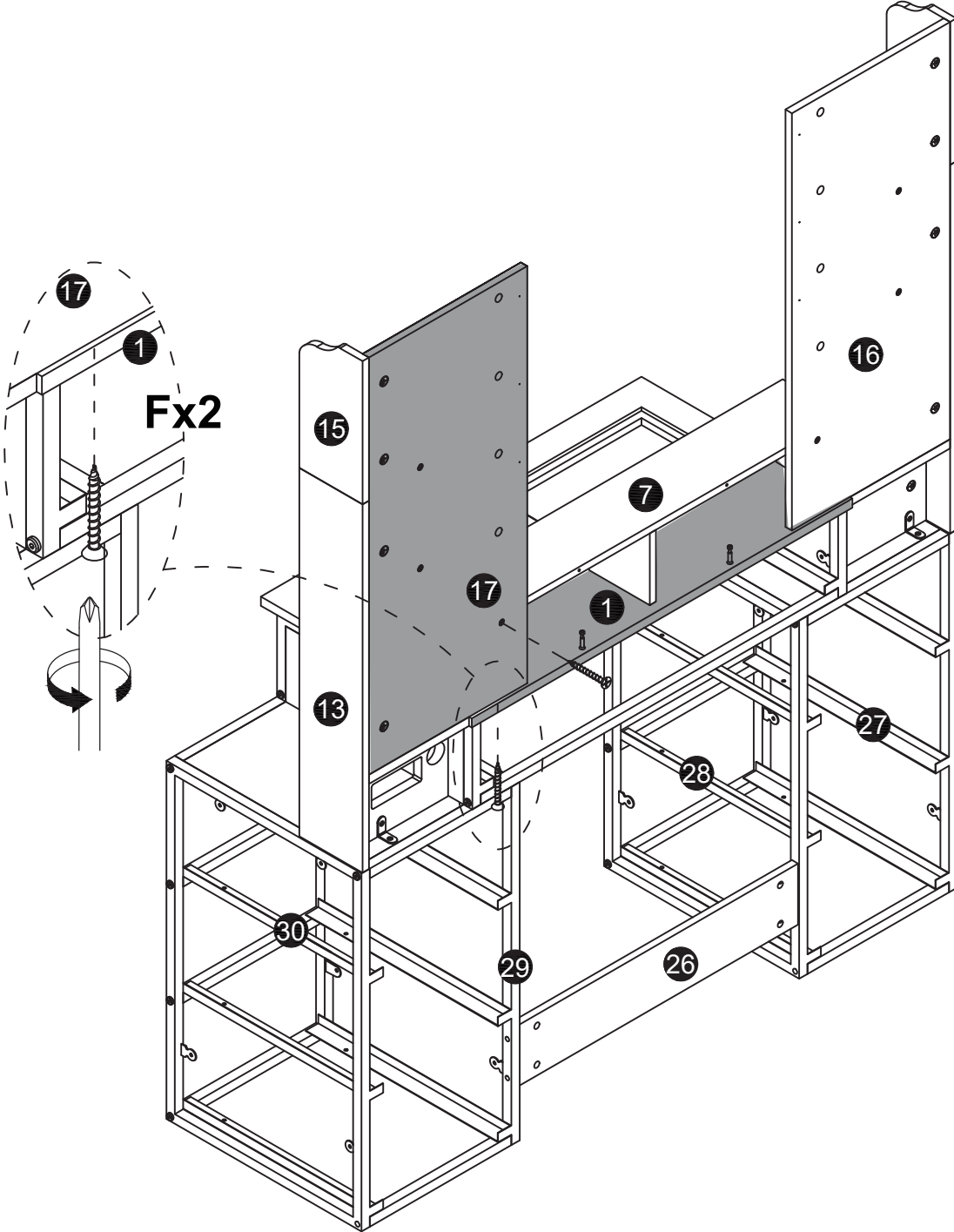




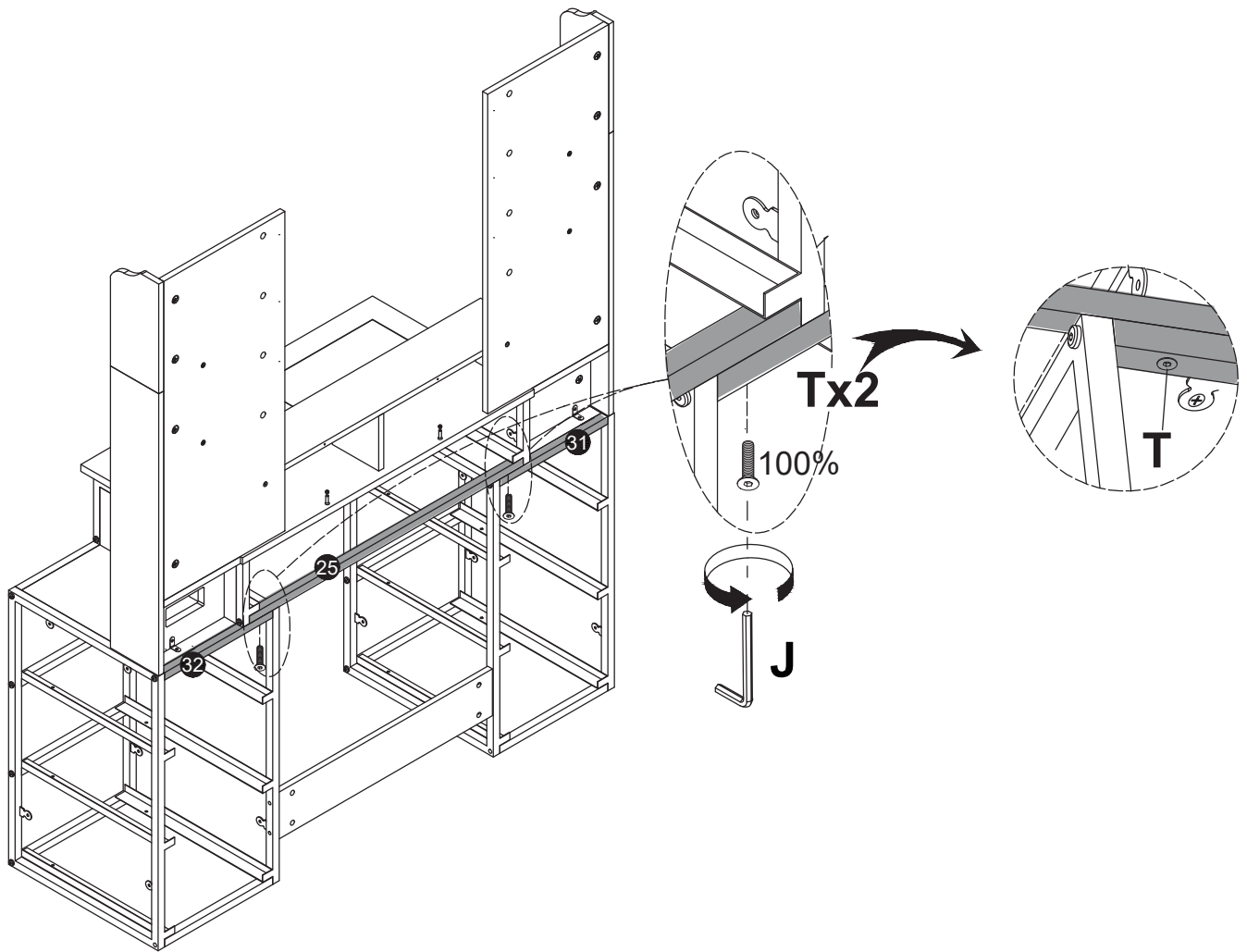




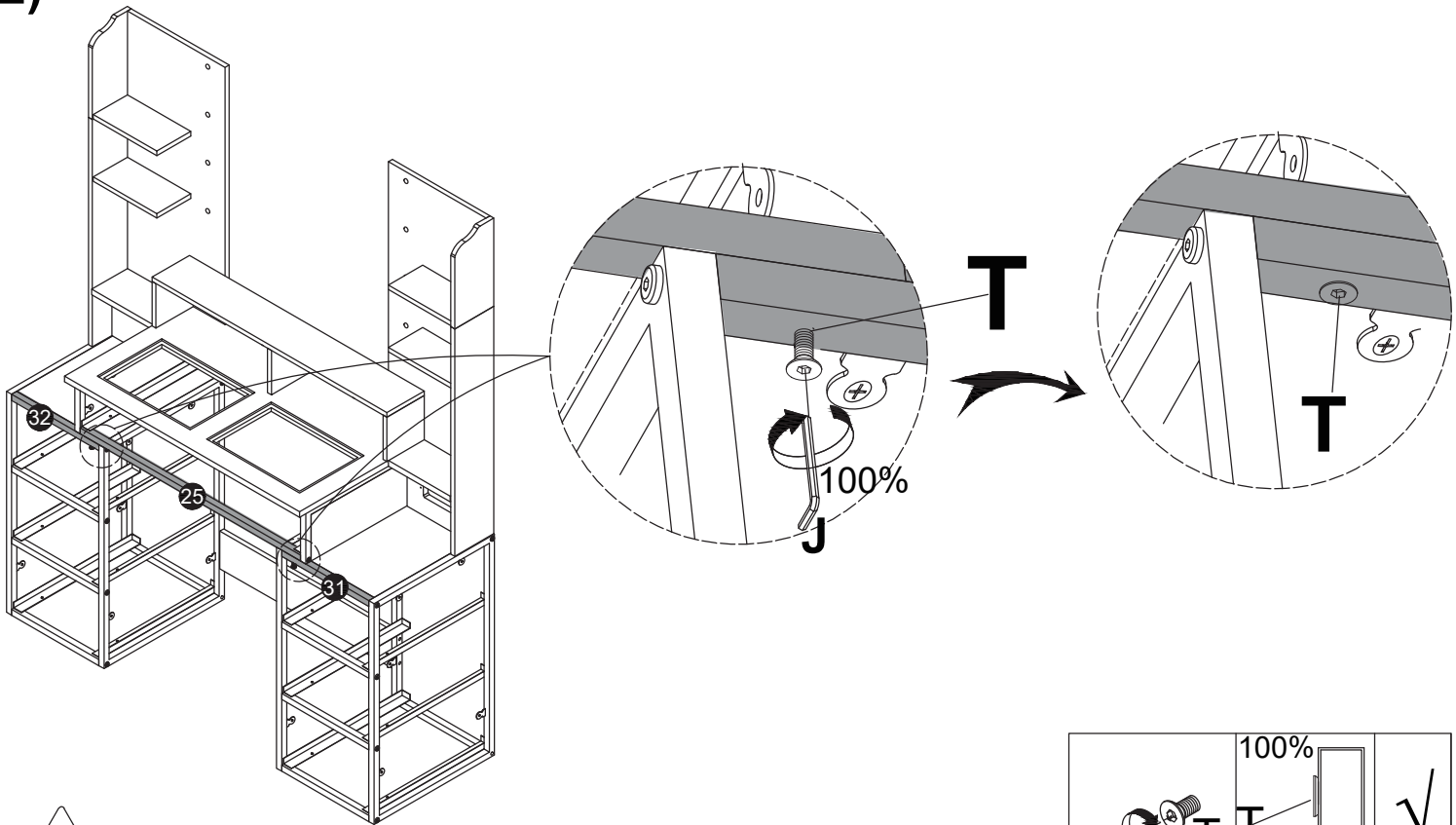




(1)

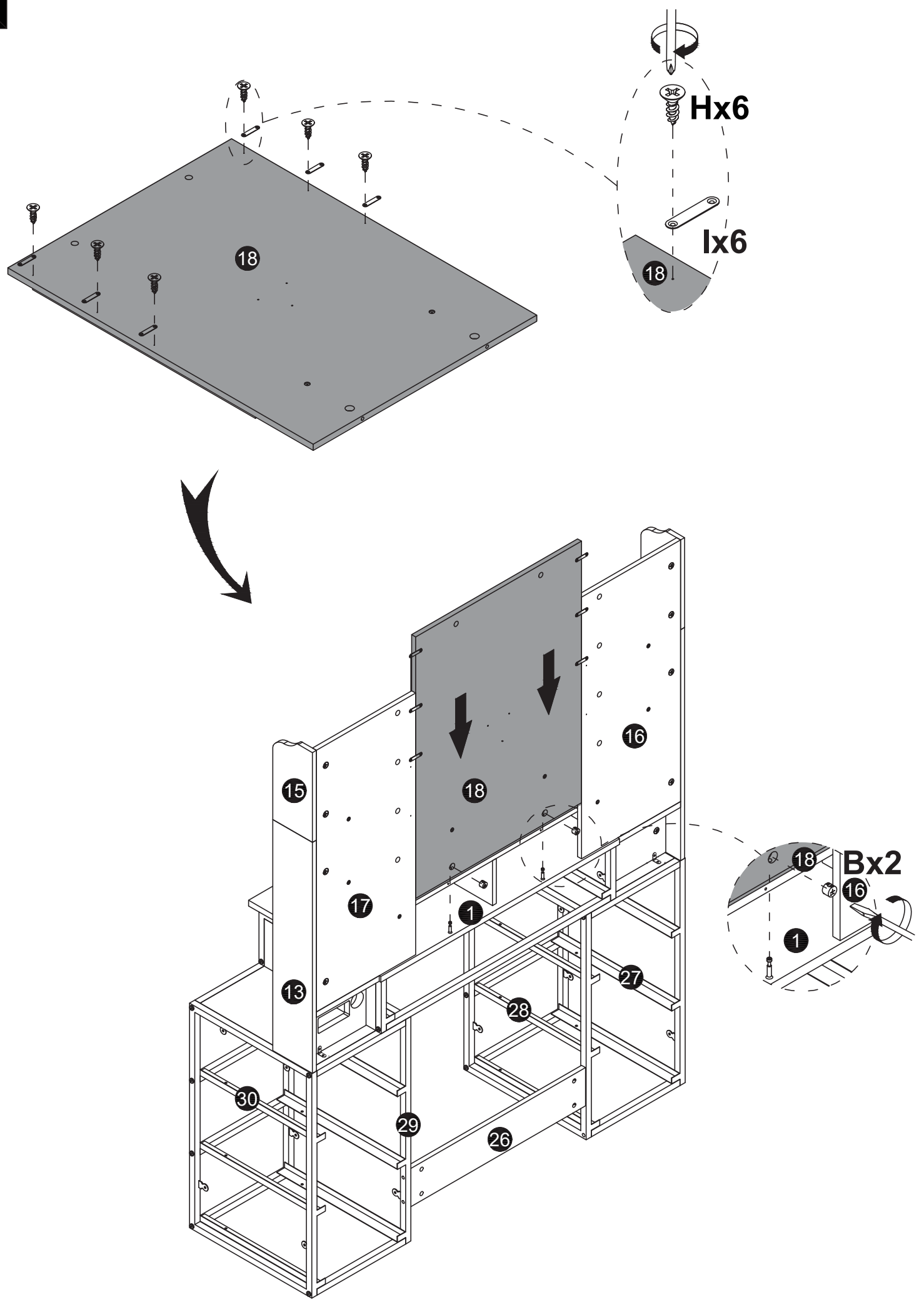


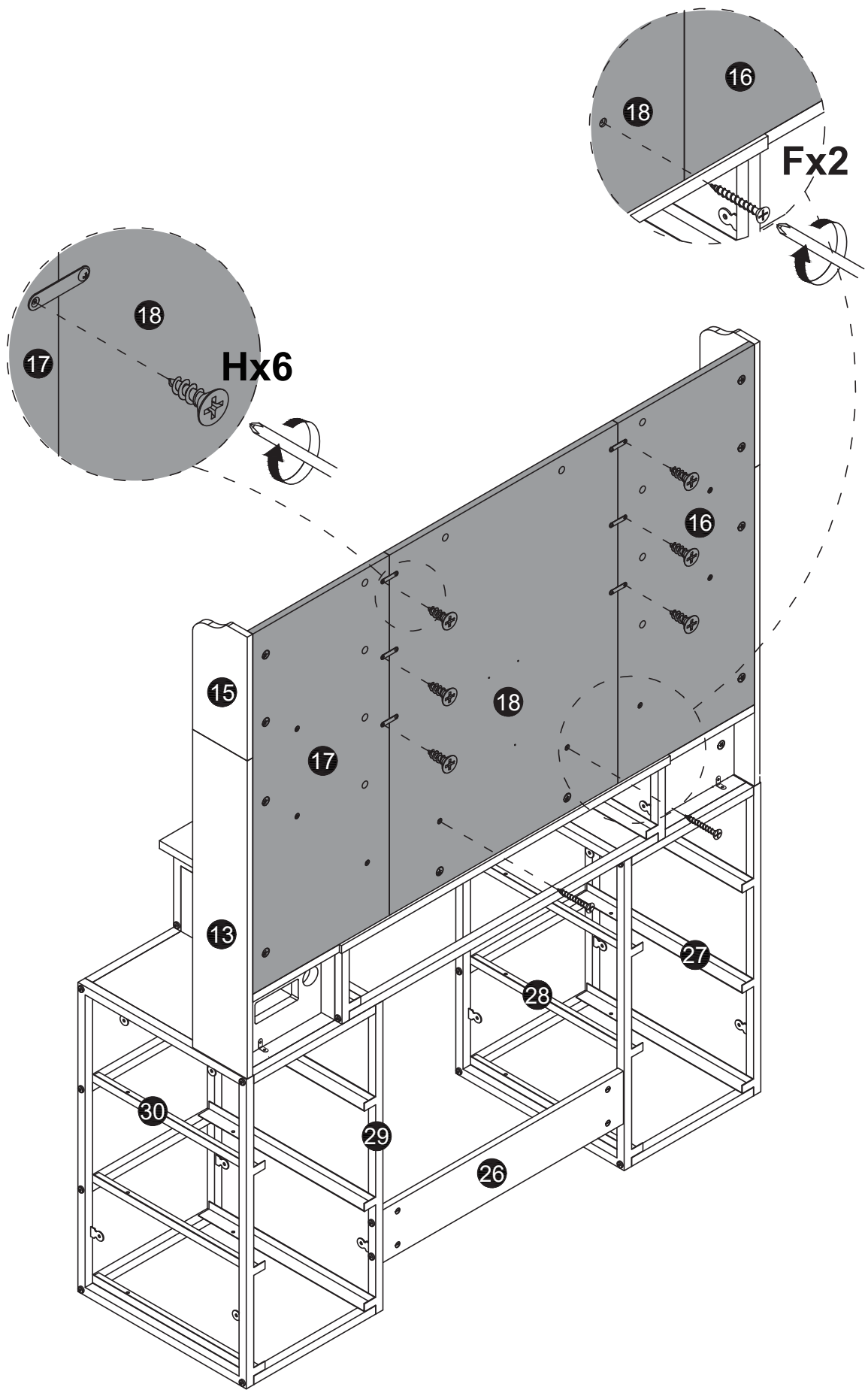
(2)

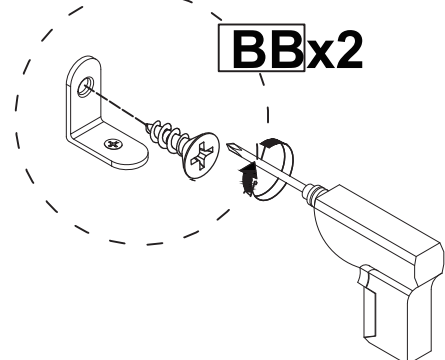
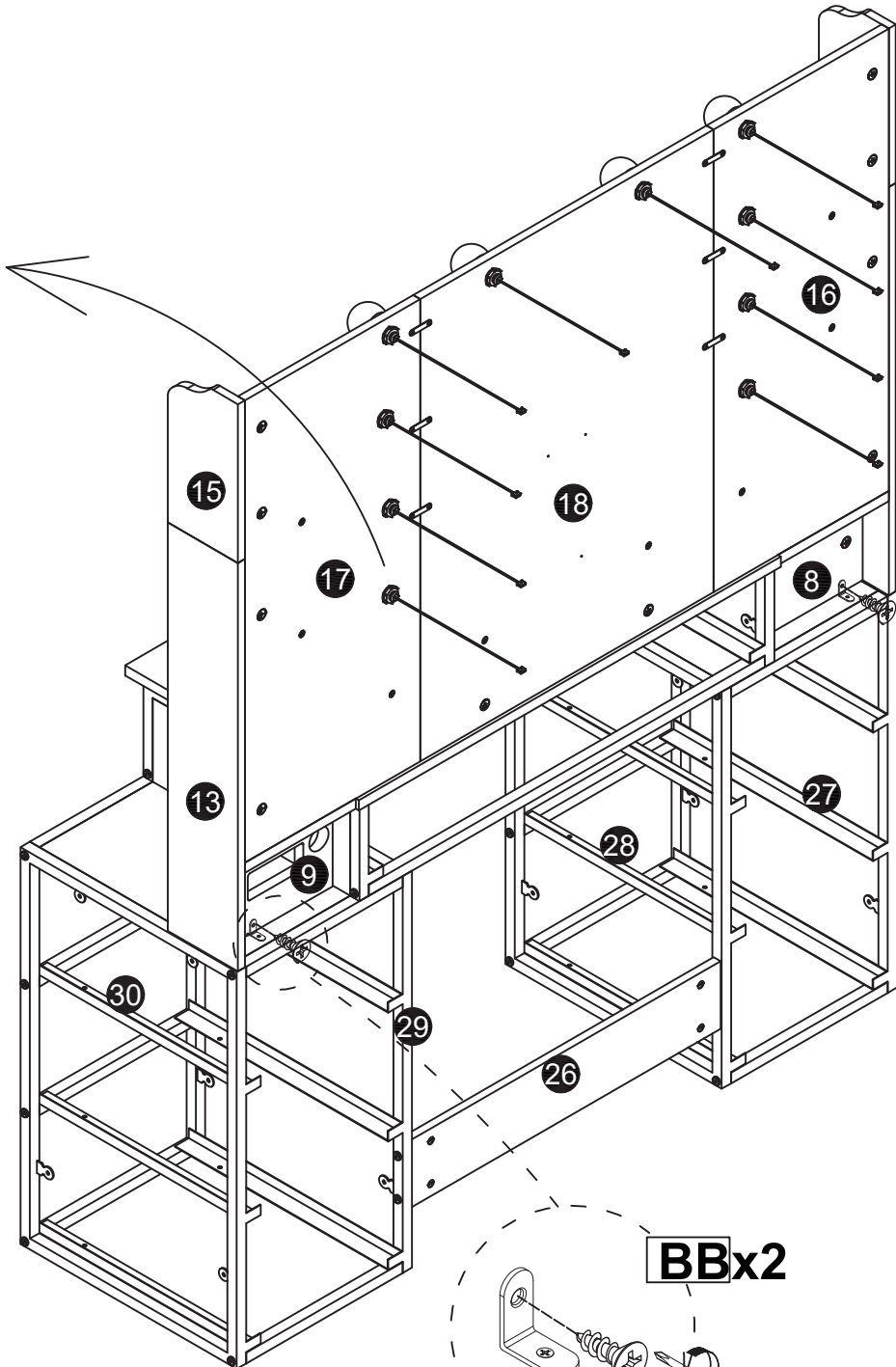
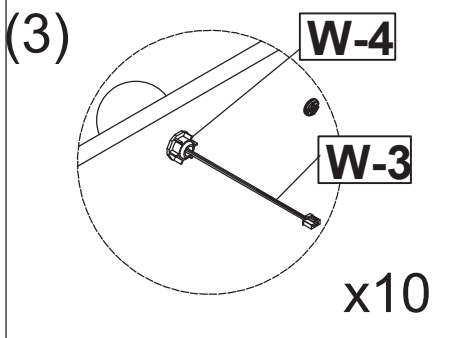
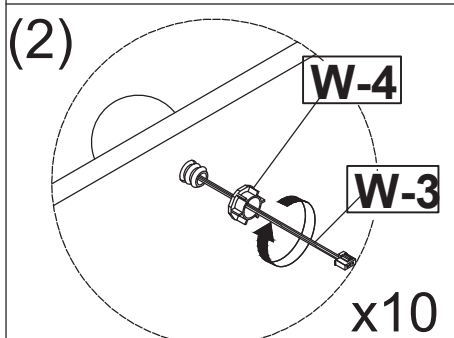
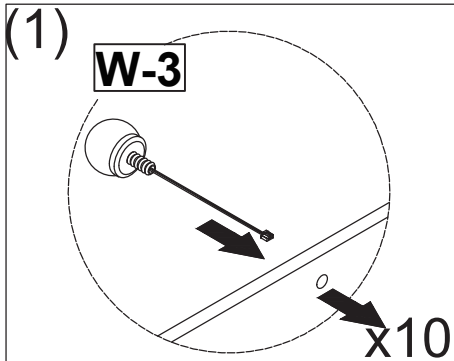
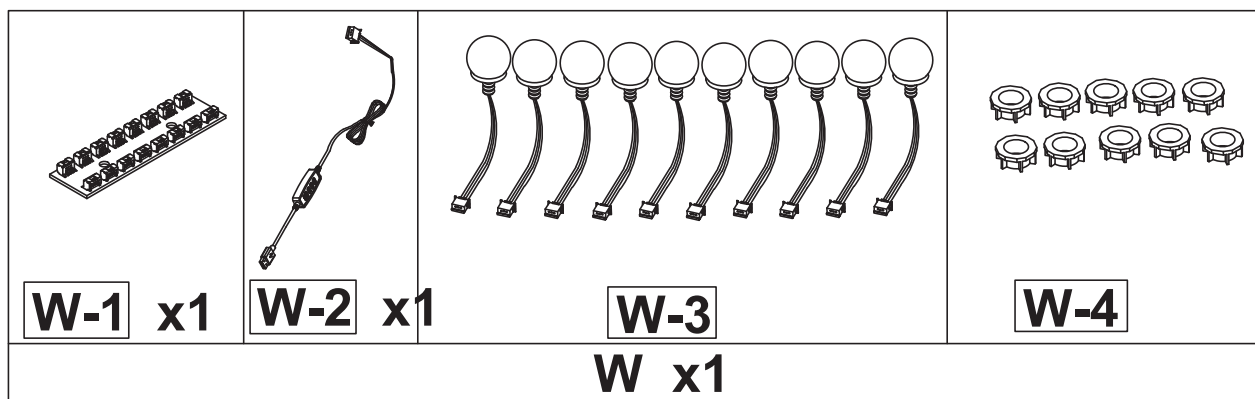


Attention, please 100% tighten all screws (T)

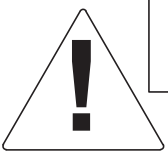
	100%		✓
	70%		✗



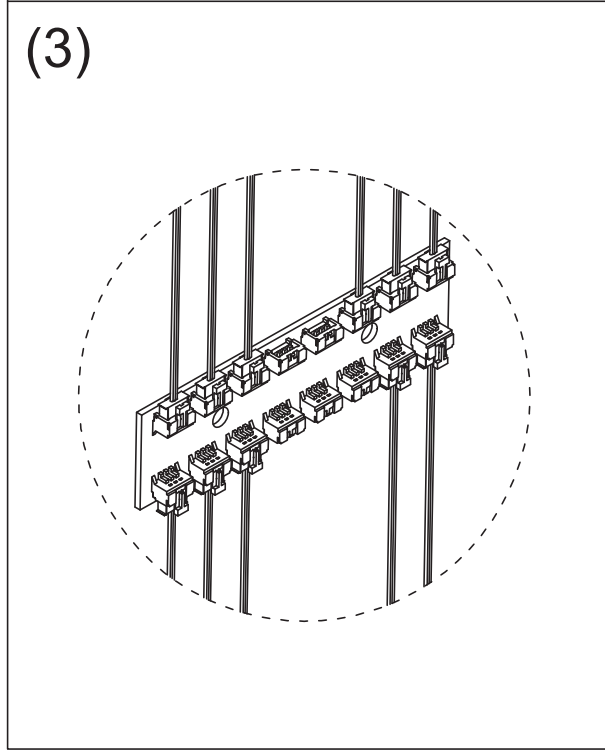
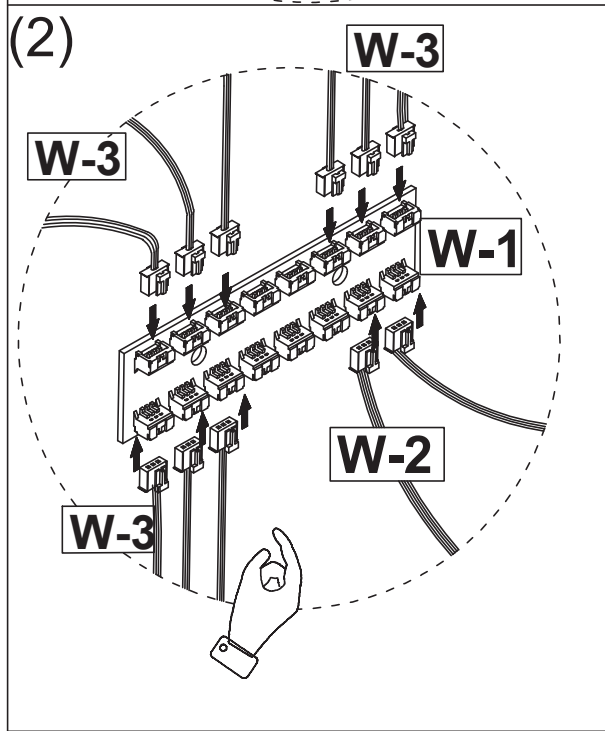
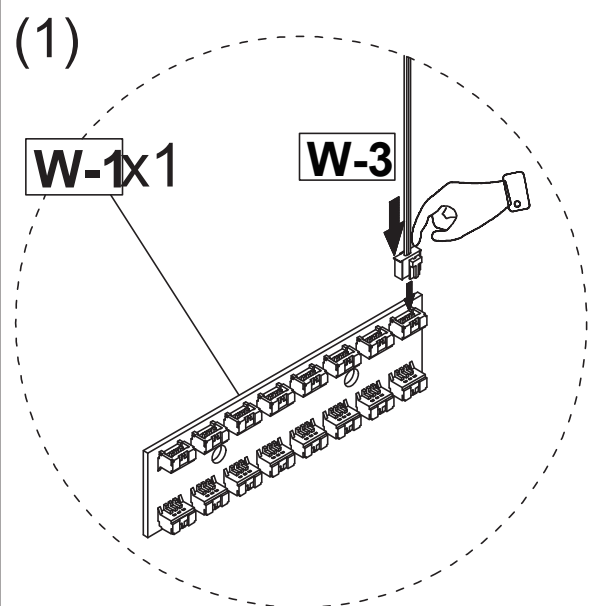
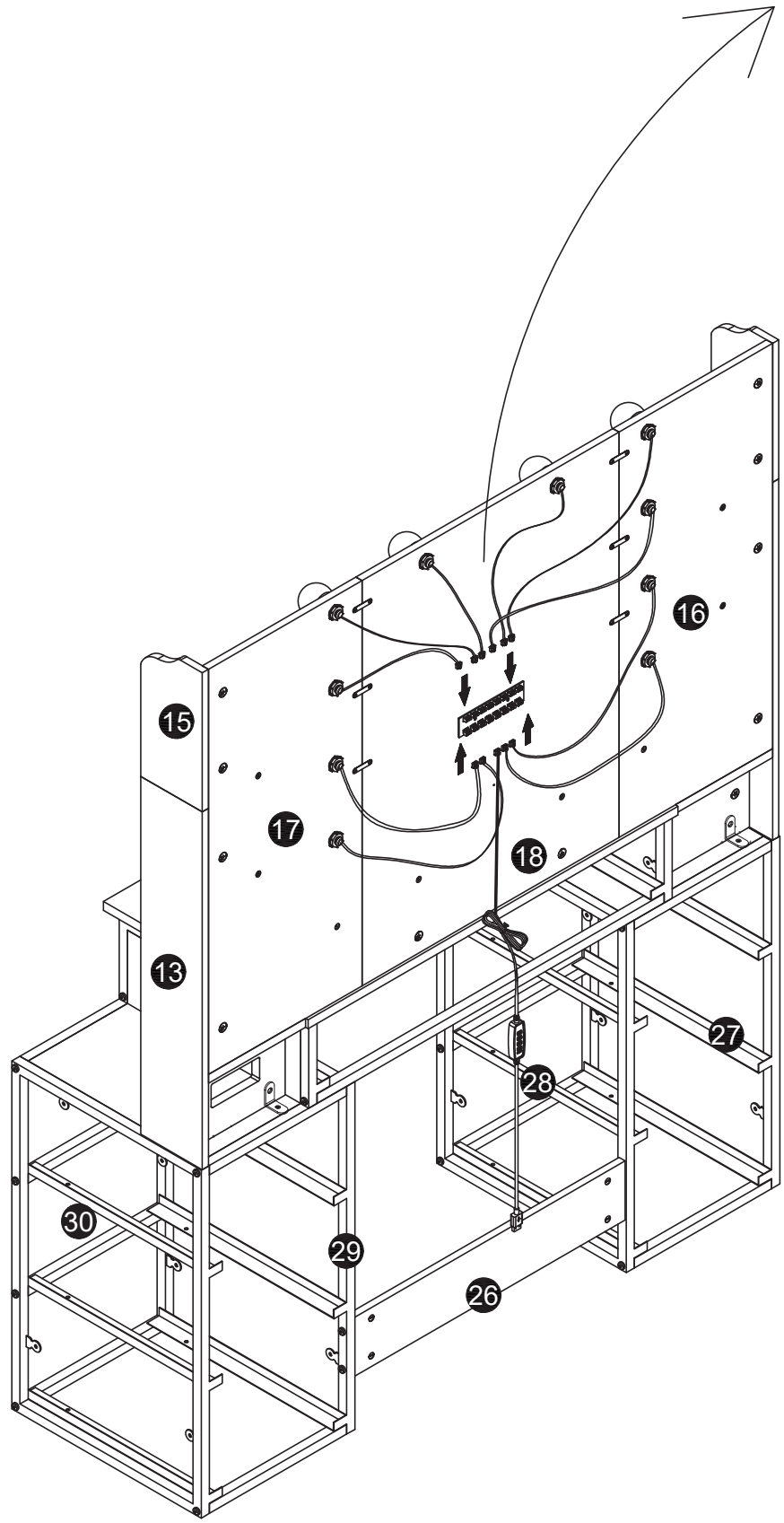


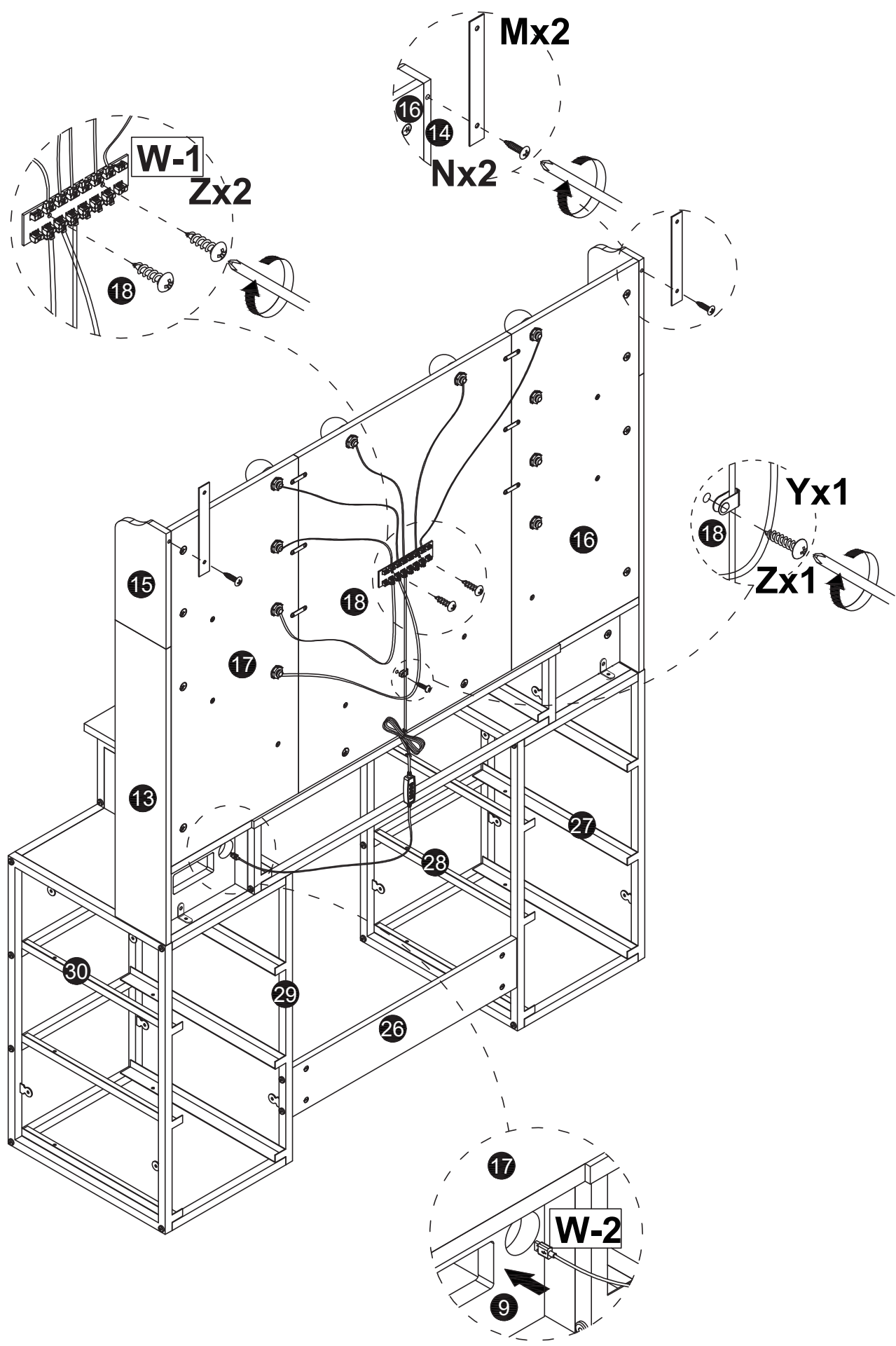


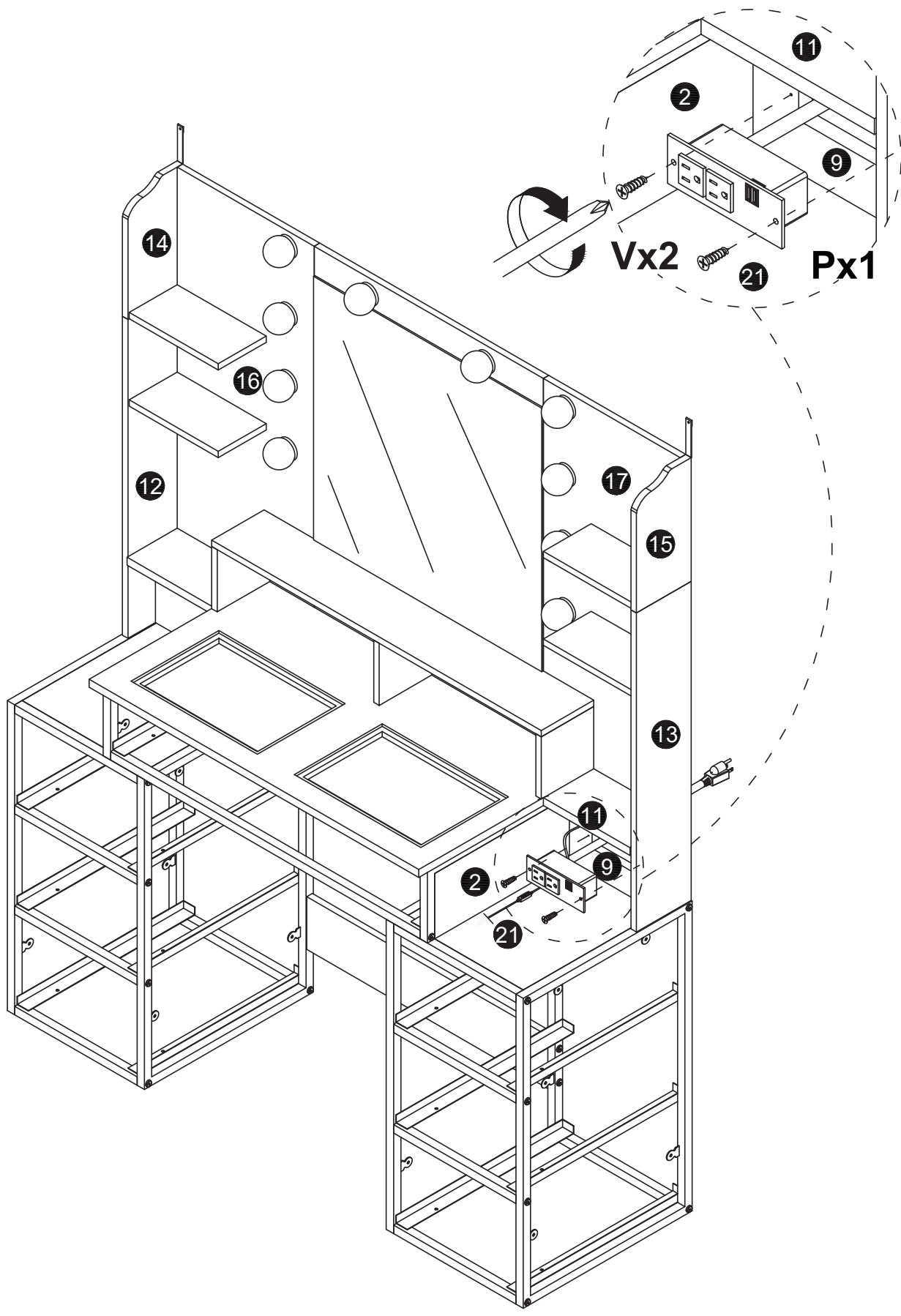
Please prioritize using electric rotary lock screw **BB** or you can use a Phillips screwdriver to lock screw **BB**, separately with 8 Phase lock of board 9.

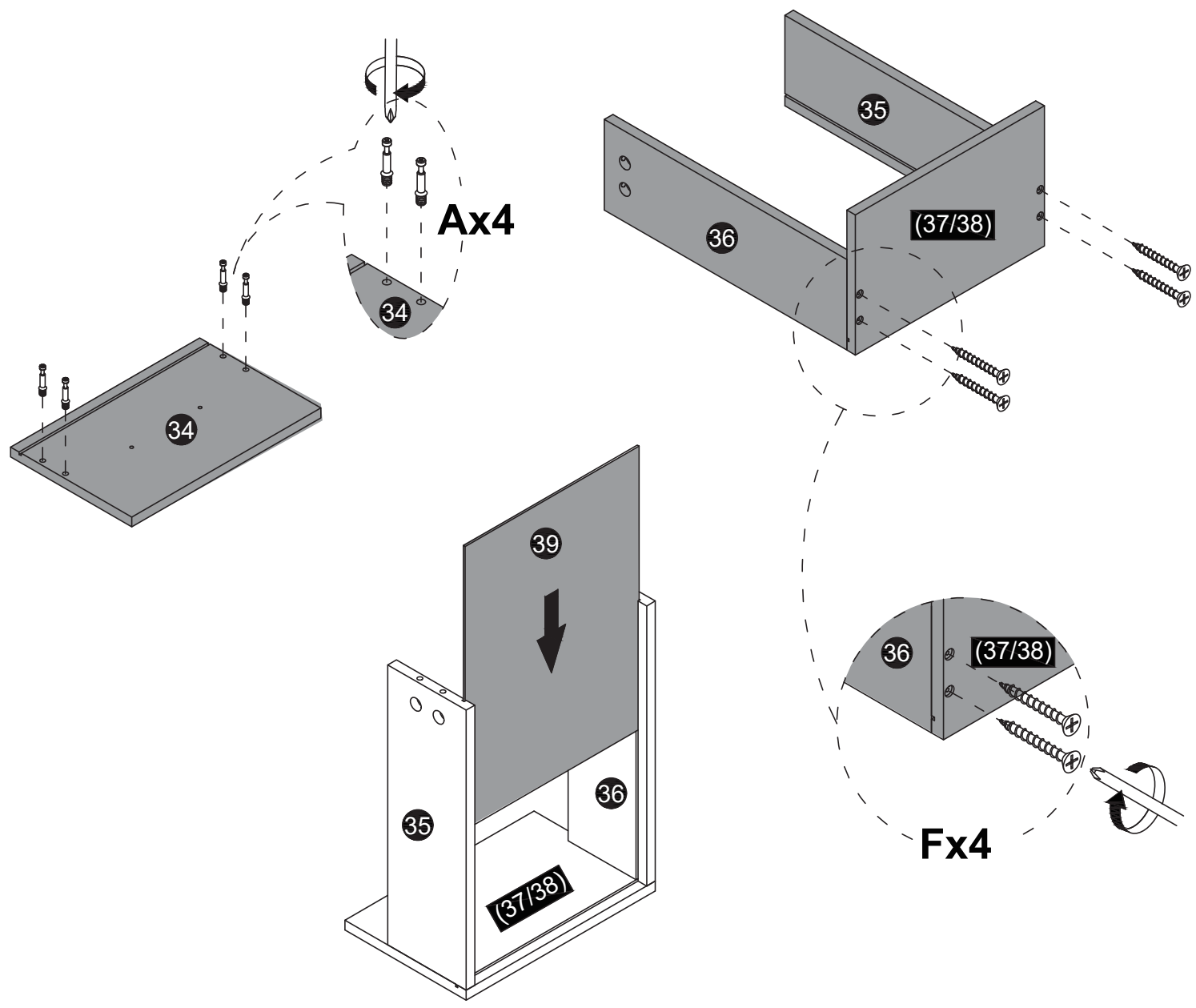
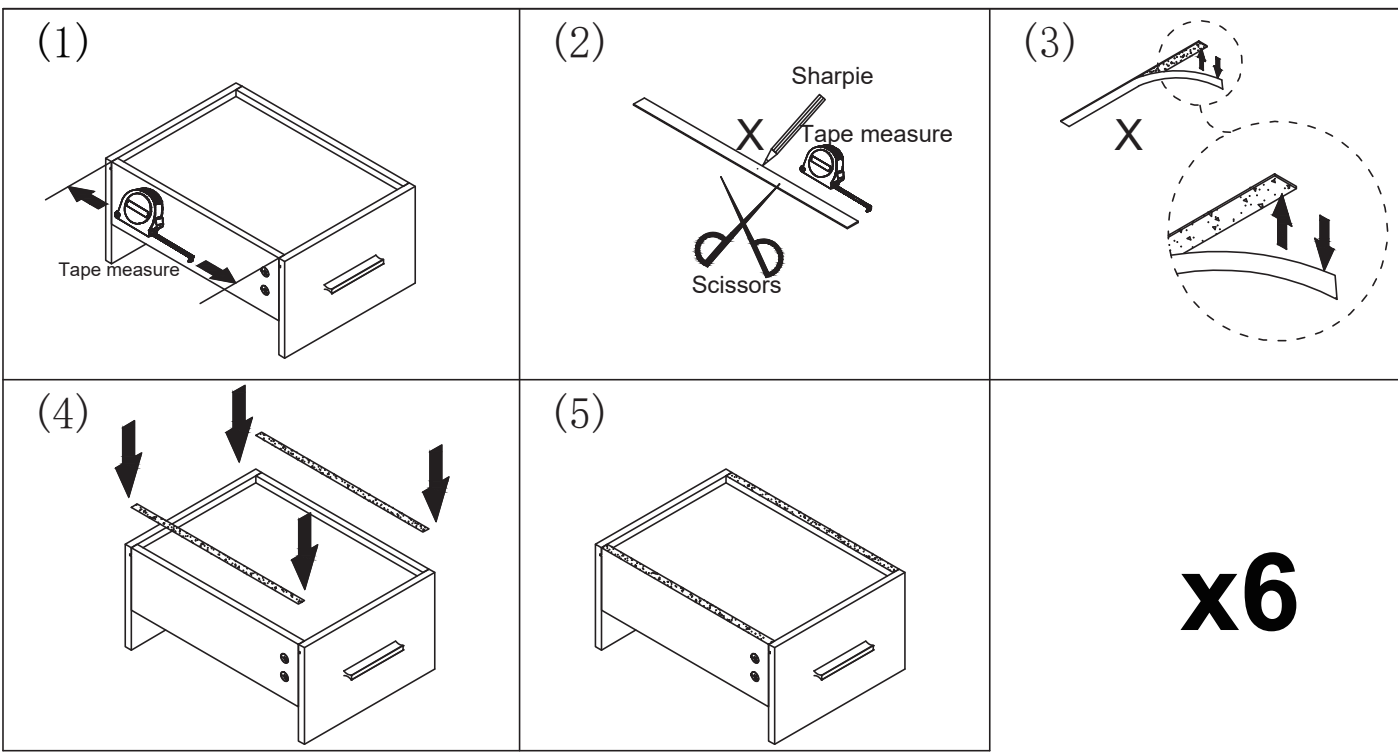


Please note that each terminal of **W-1** can be used.

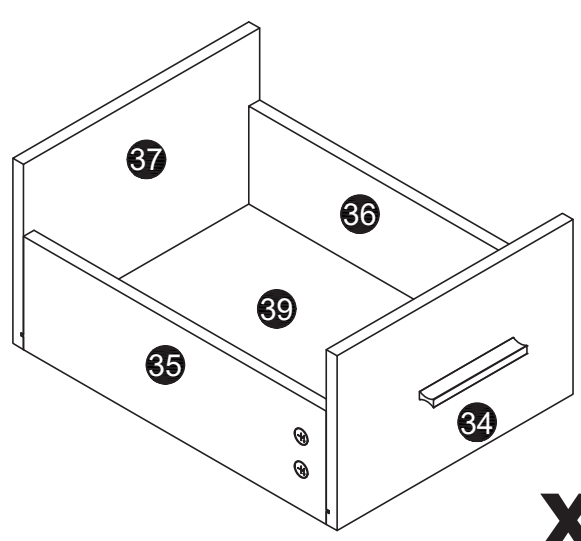
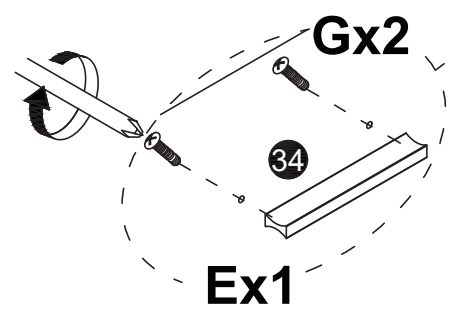
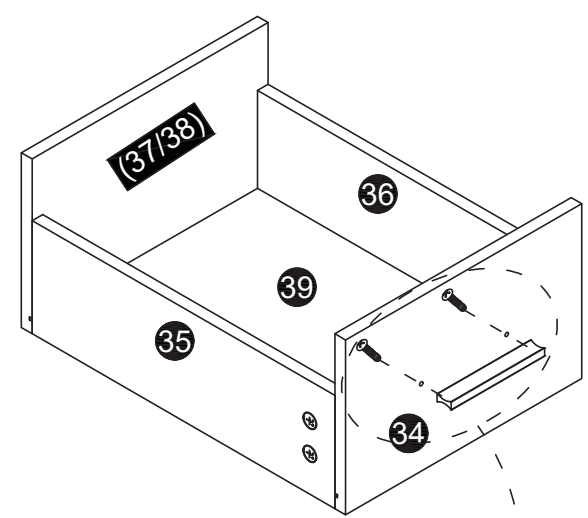
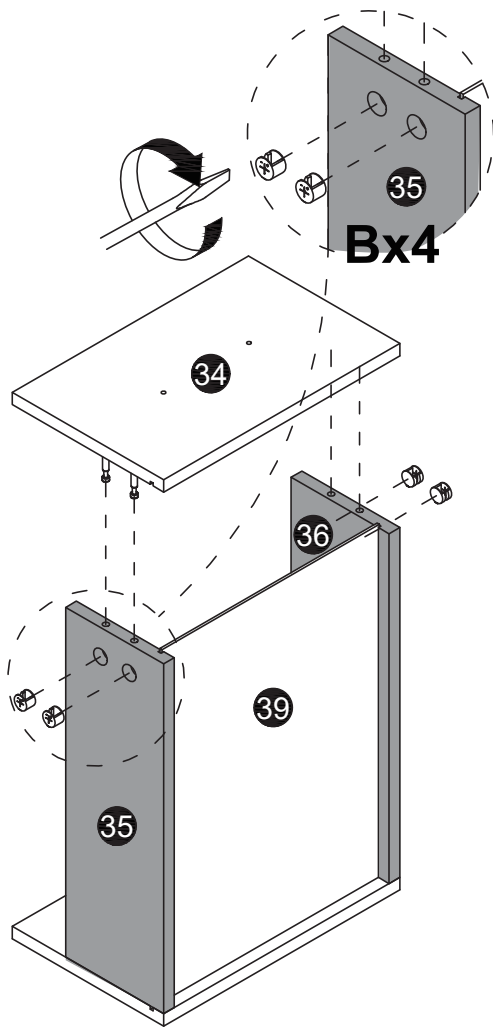




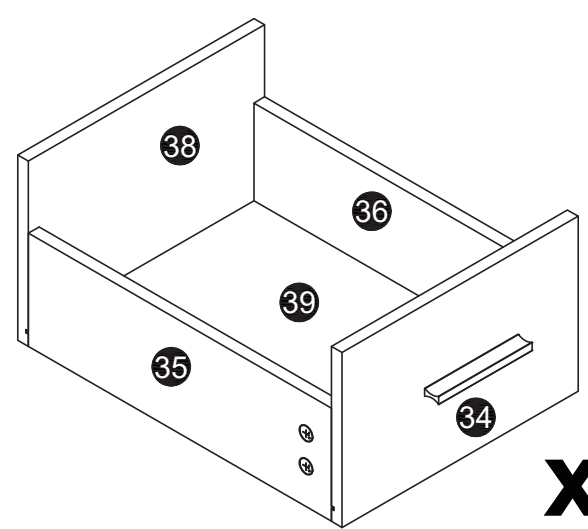




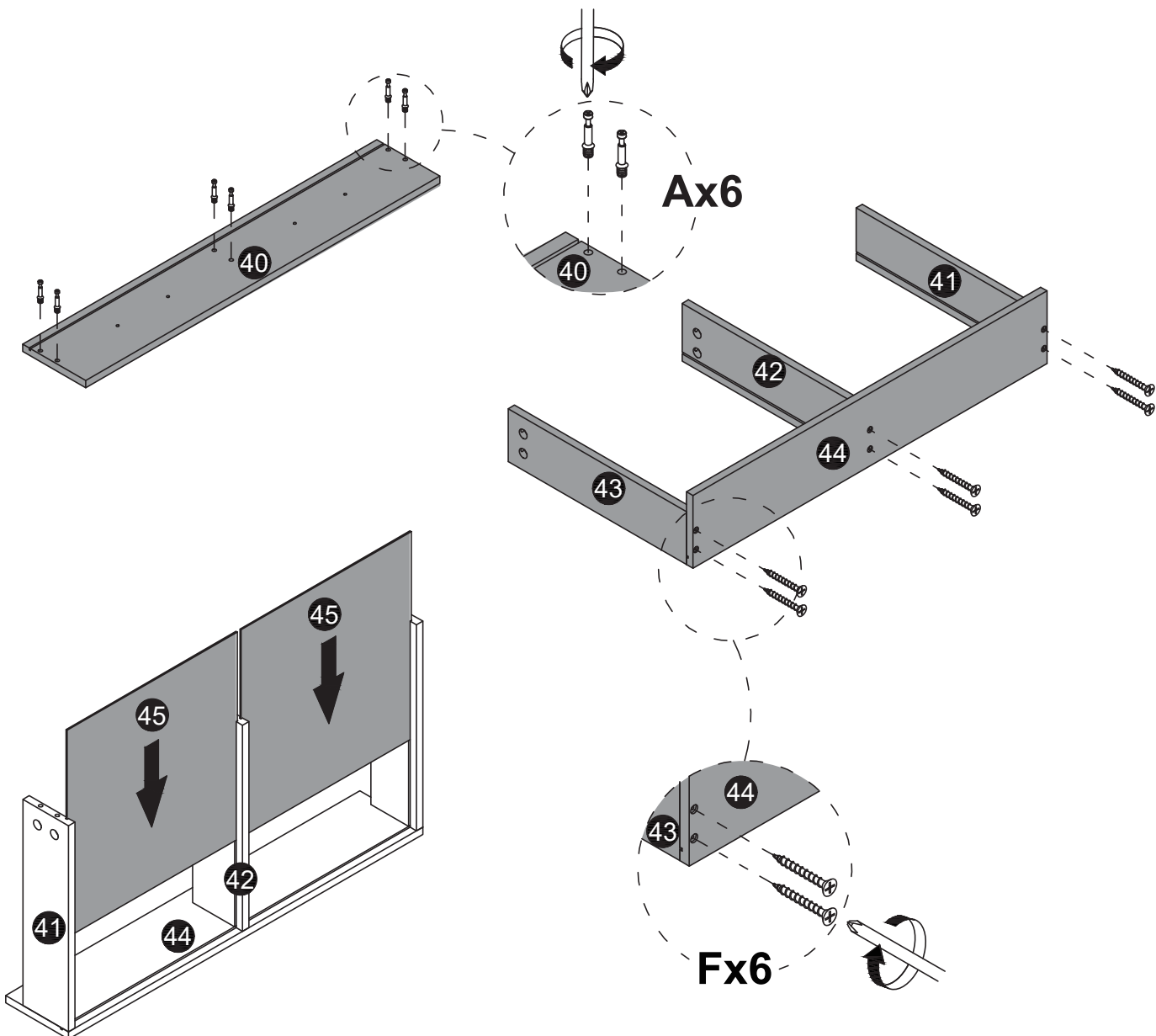
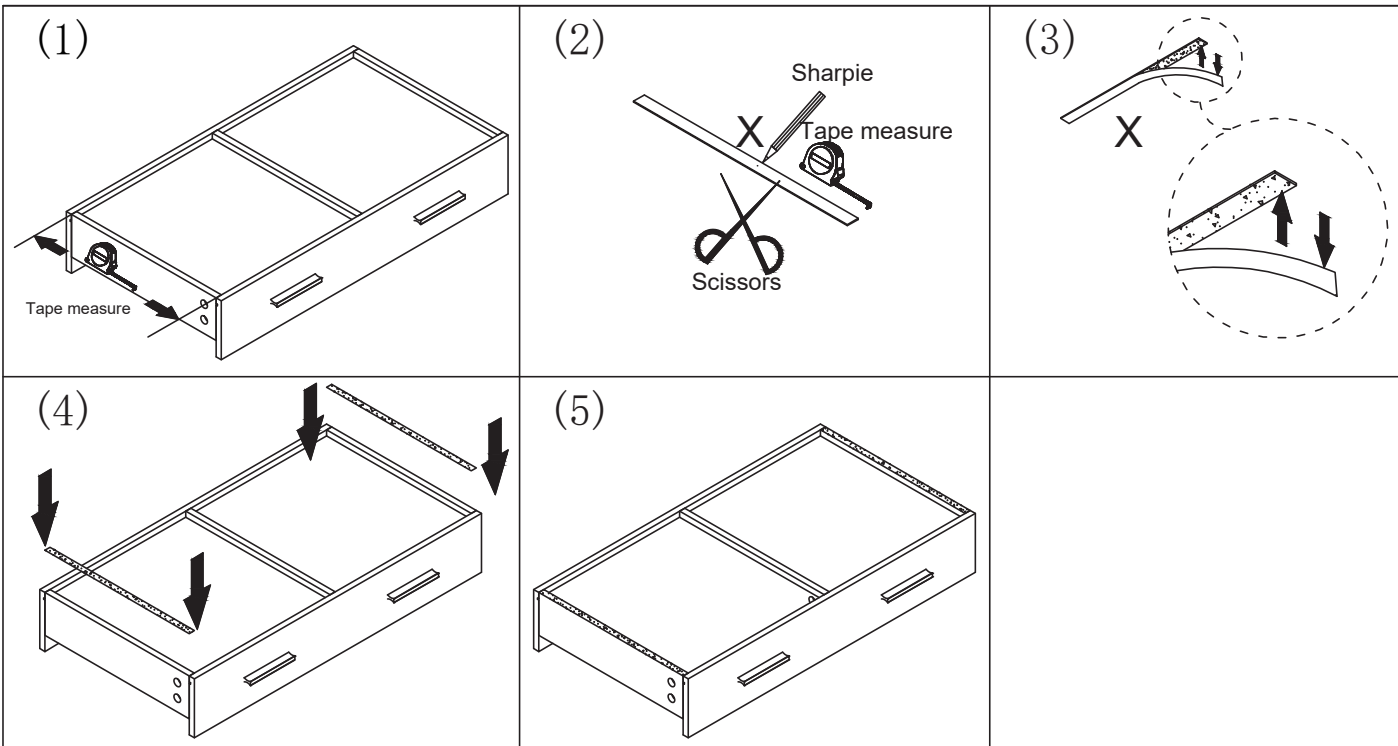
x6

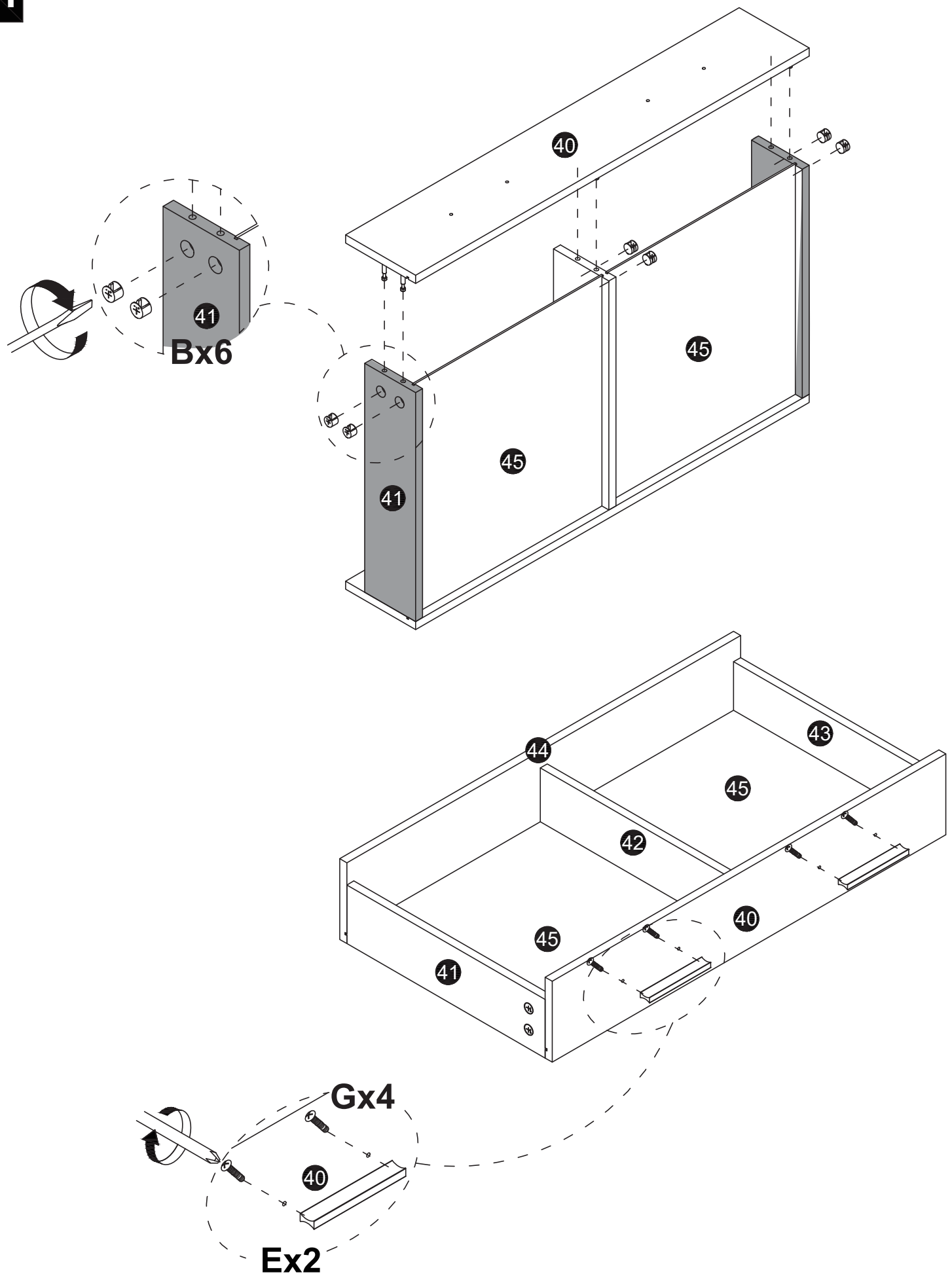


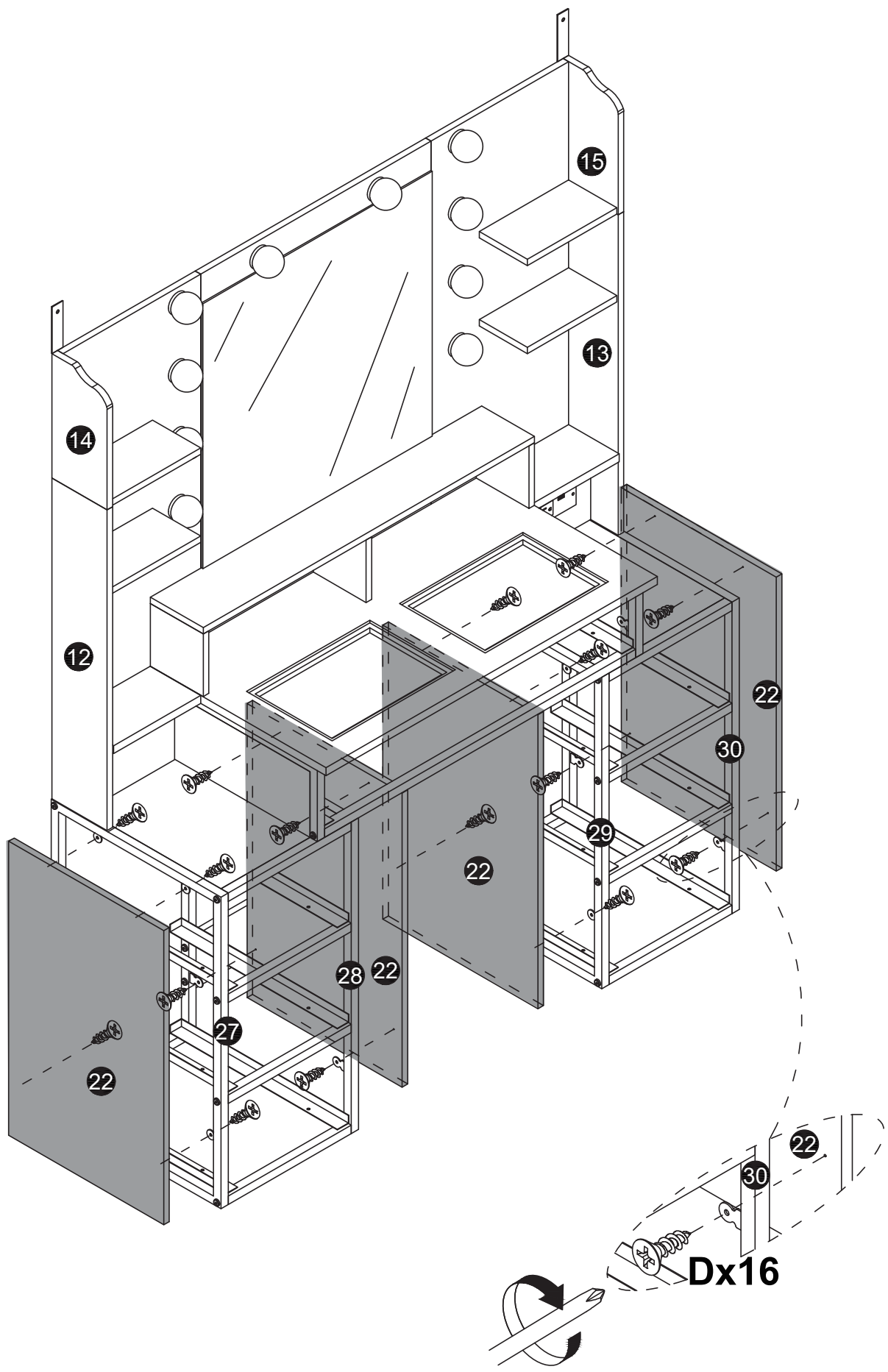
x4

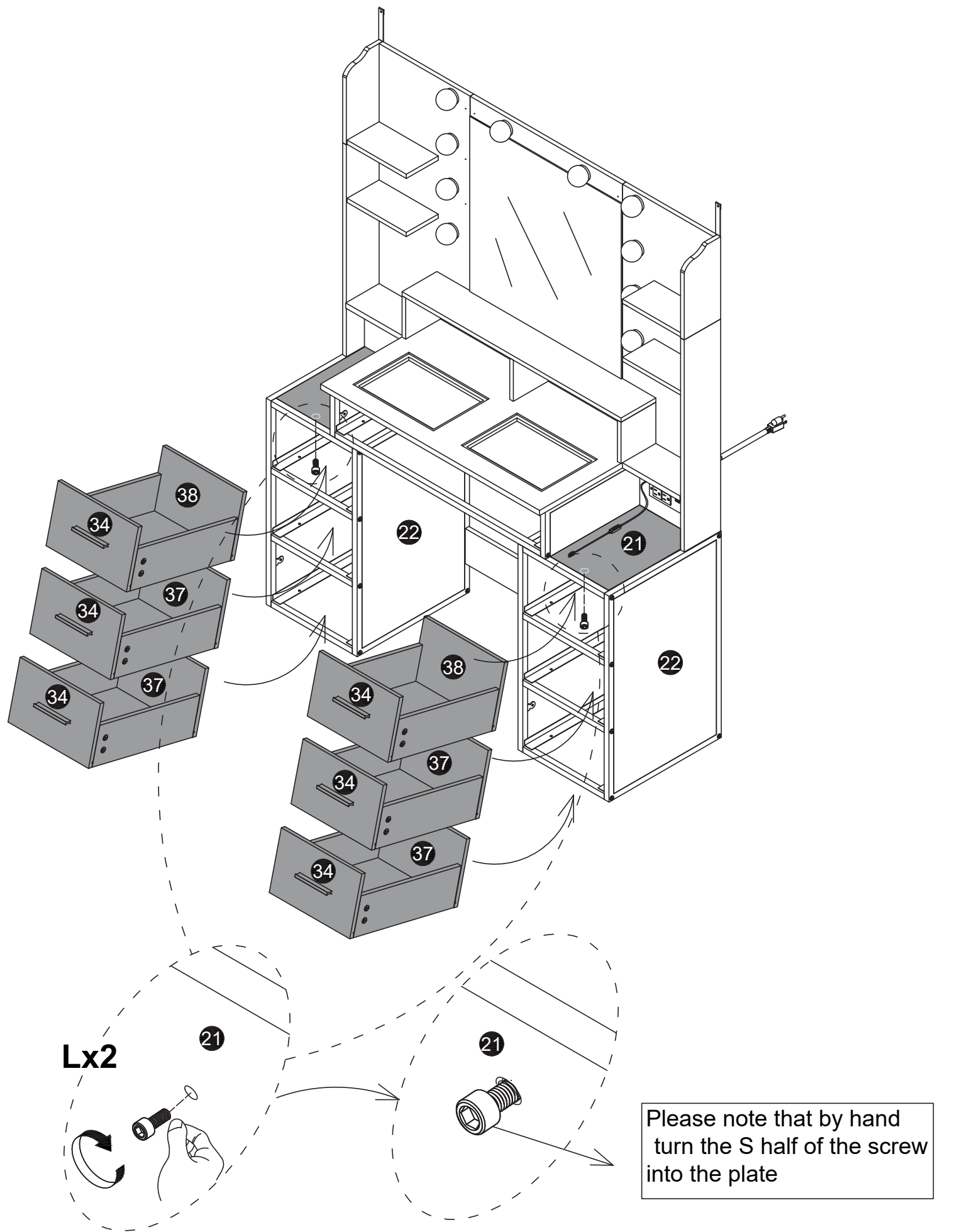


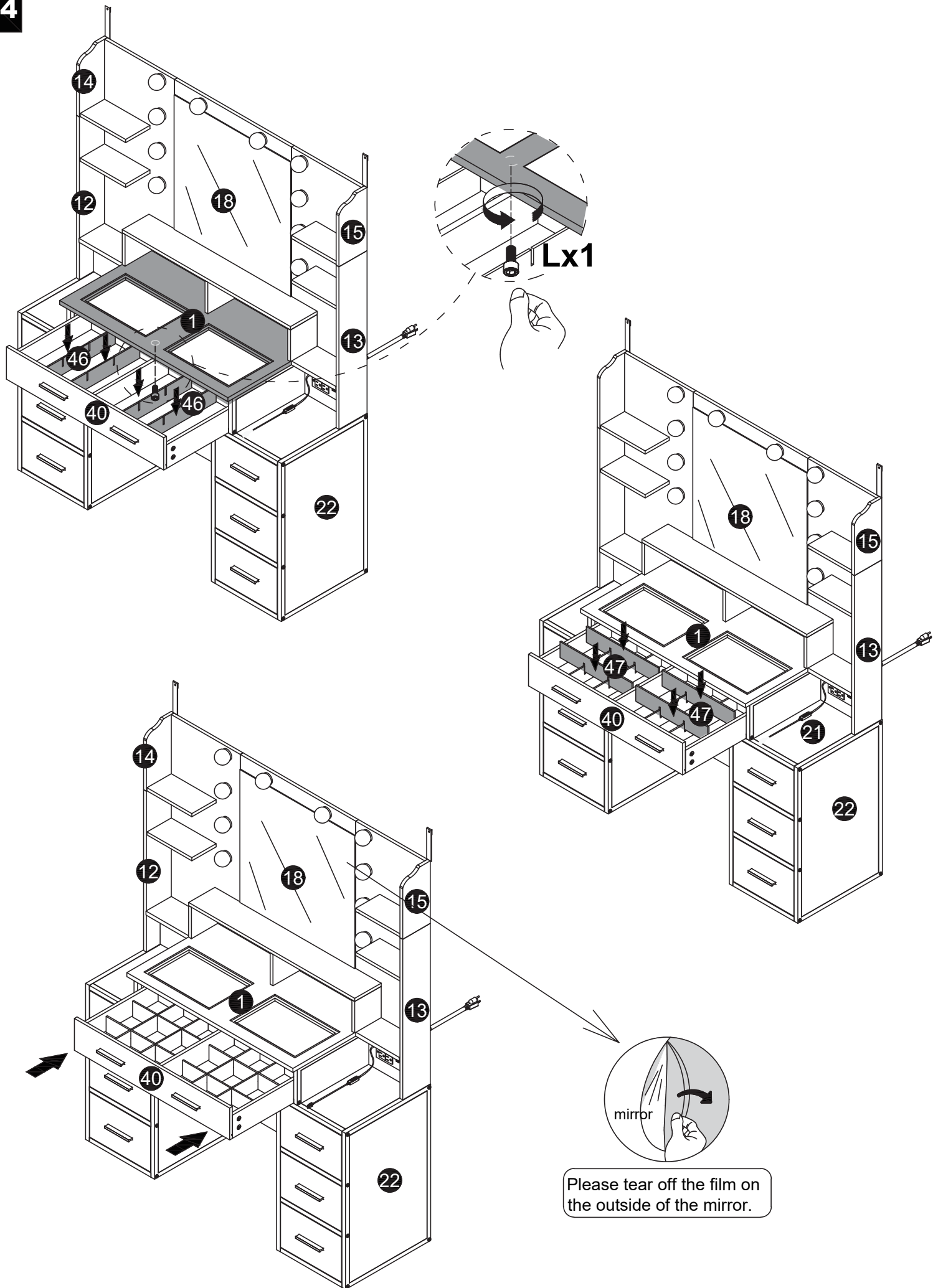
x2











**10X MAGNIFYING MIRROR:** It is very clear and not distorted. Great for checking your face close up. Great for putting on makeup and tweezing those unwanted facial hairs. It helps you with make up, face care ect. Keep mirror 2"-3" away from your eyes for a clear viewing (avoid distortion).

