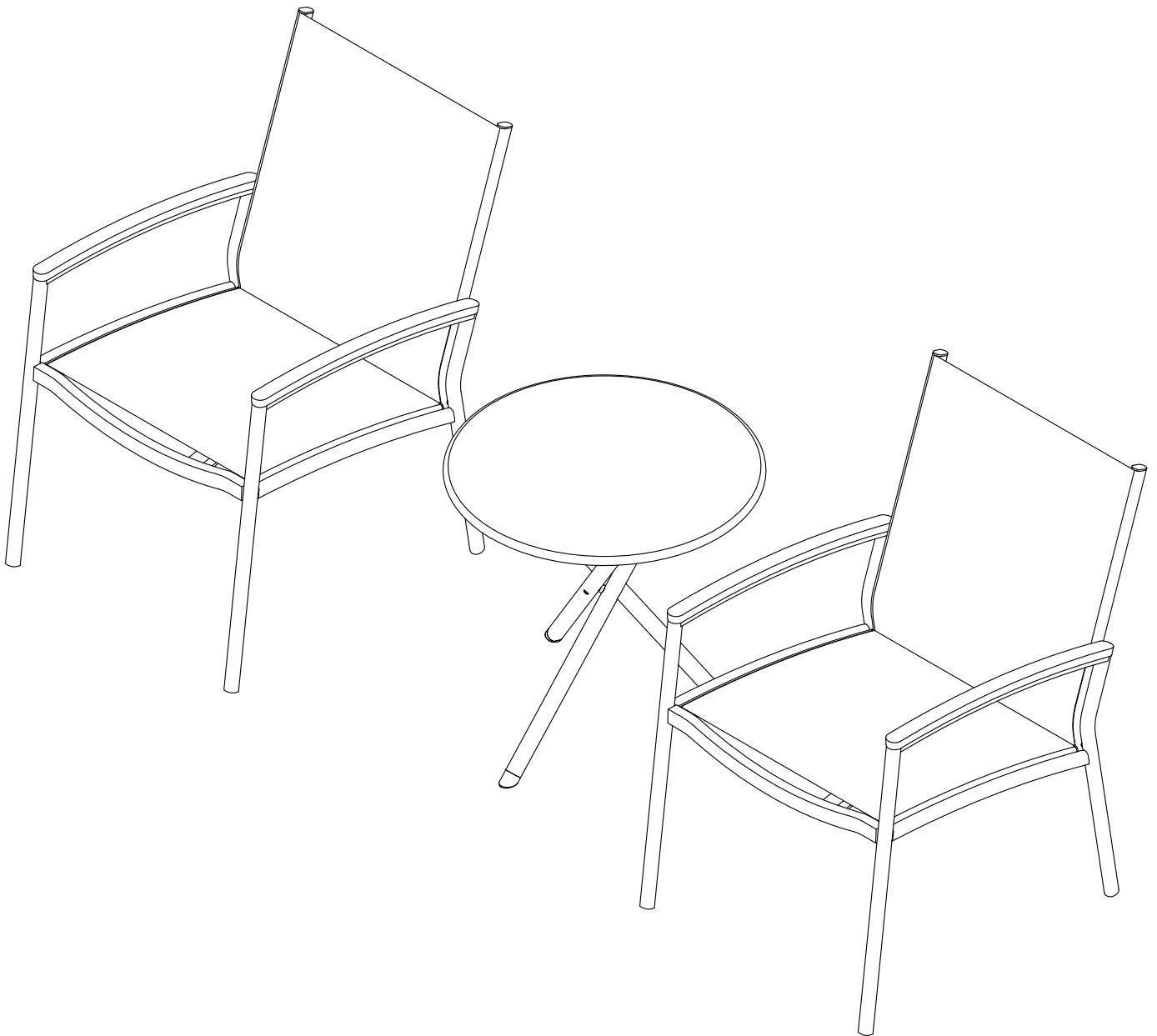


Outdoor Chair



IMPORTANT

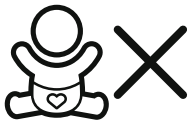
Please follow the instruction manuals and use a pad to avoid damage during assembly.

Thank you for shopping with us!

We appreciate your purchase and are ready to be at your service!

If you find parts missing, broken, or hard to put together or when you are not satisfied or have any valuable suggestions, please do not hesitate to contact us first!

We will definitely give you a satisfactory solution or answer then!



Not intended for use by children. Please keep your children closely supervised.



Keep away from fire or other heat sources.



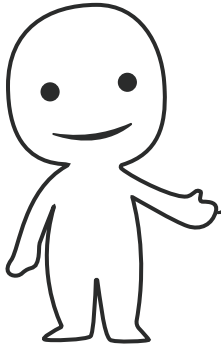
Do not use harsh cleaner for cleaning!



We recommend wearing protective gloves for assembly.



Identify, sort and count the parts before assembly.

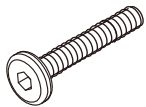


Please prepare the following tools



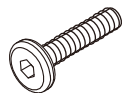
When installing, please carefully confirm whether each screw corresponds to the manual, accessories with similar shapes can be distinguished by size

② x 20



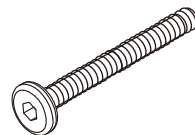
M6 x 30 mm

③ x 3



M6 x 15 mm

④ x 3



M6 x 40 mm

⑤ x 26

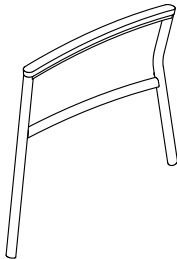
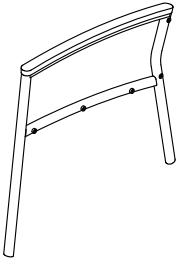
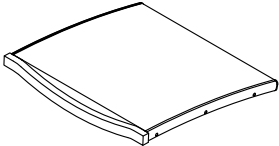
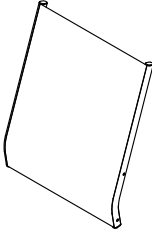
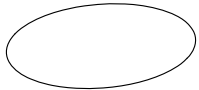
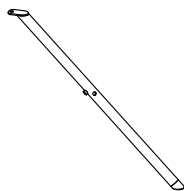


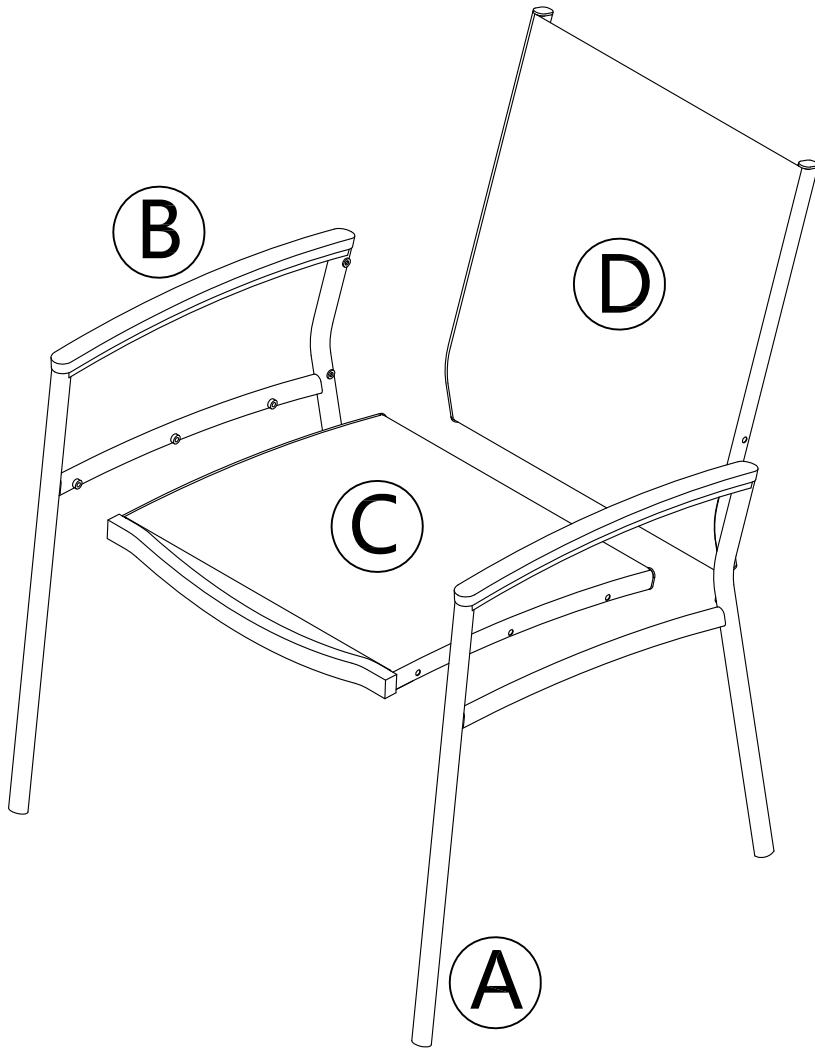
⑥ x 26



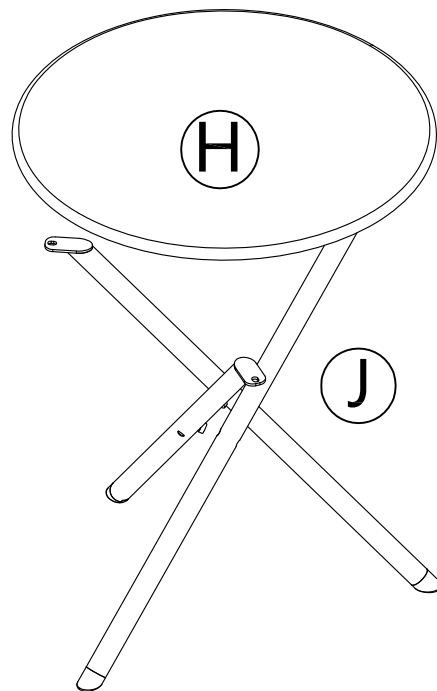
⑦ x 1



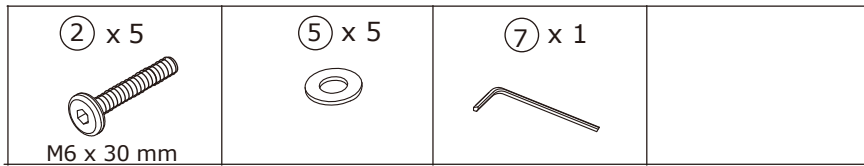
							
(A)	LEFT 2PCS	(B)	RIGHT 2PCS	(C)	SEAT 2PCS	(D)	BACK 2PCS
							
(H)	TABLE TOP 1PC	(J)	TABLE LEG 3PCS				



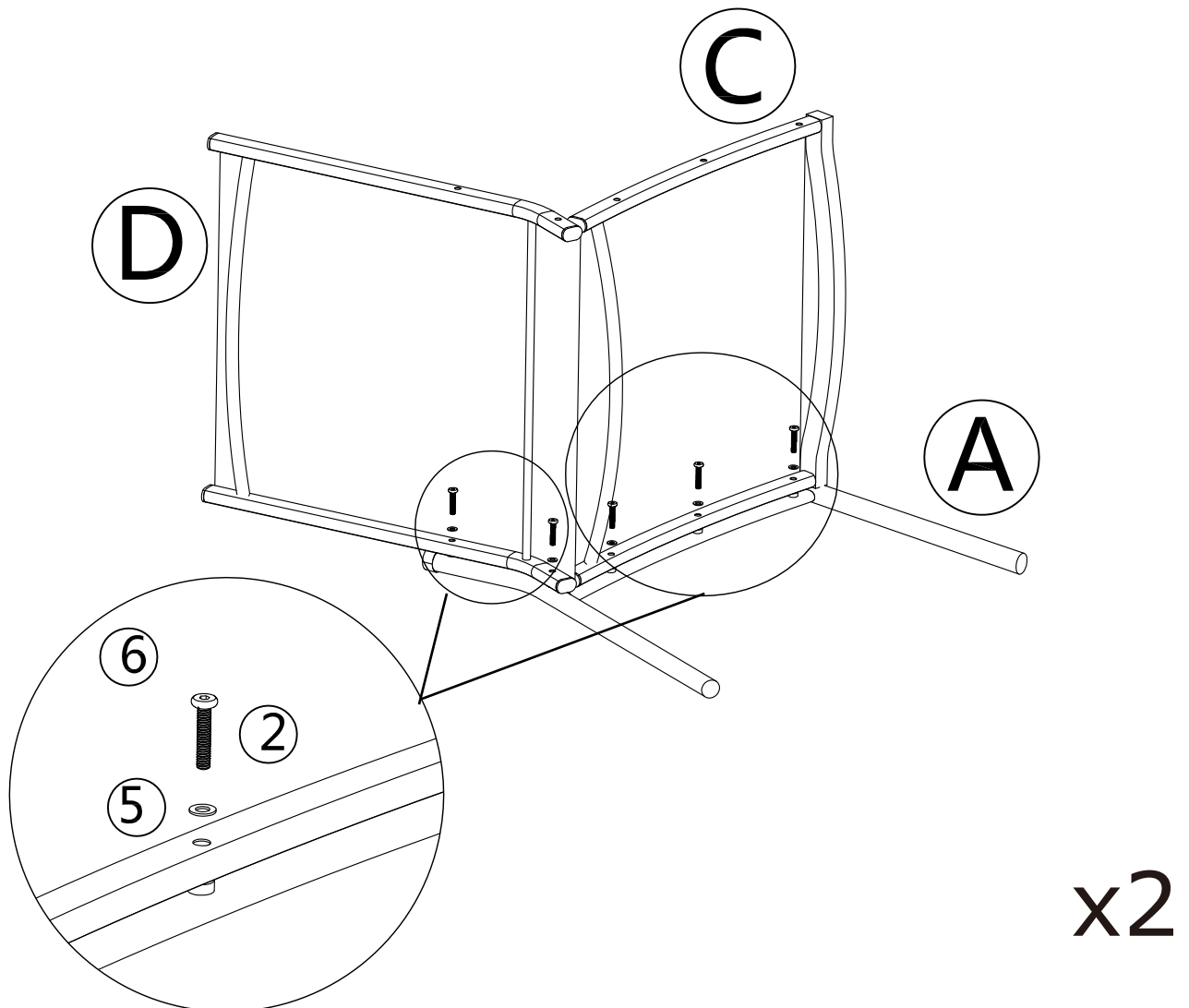
x2



STEP 1

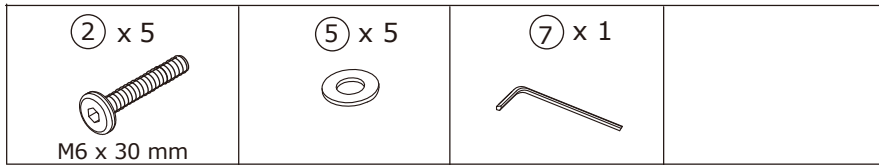


Fix part A with part C with three M6x30mm Screws (2) and (5) Flat Washers. Use (7) Allen key. **DO NOT YET TIGHTEN.**

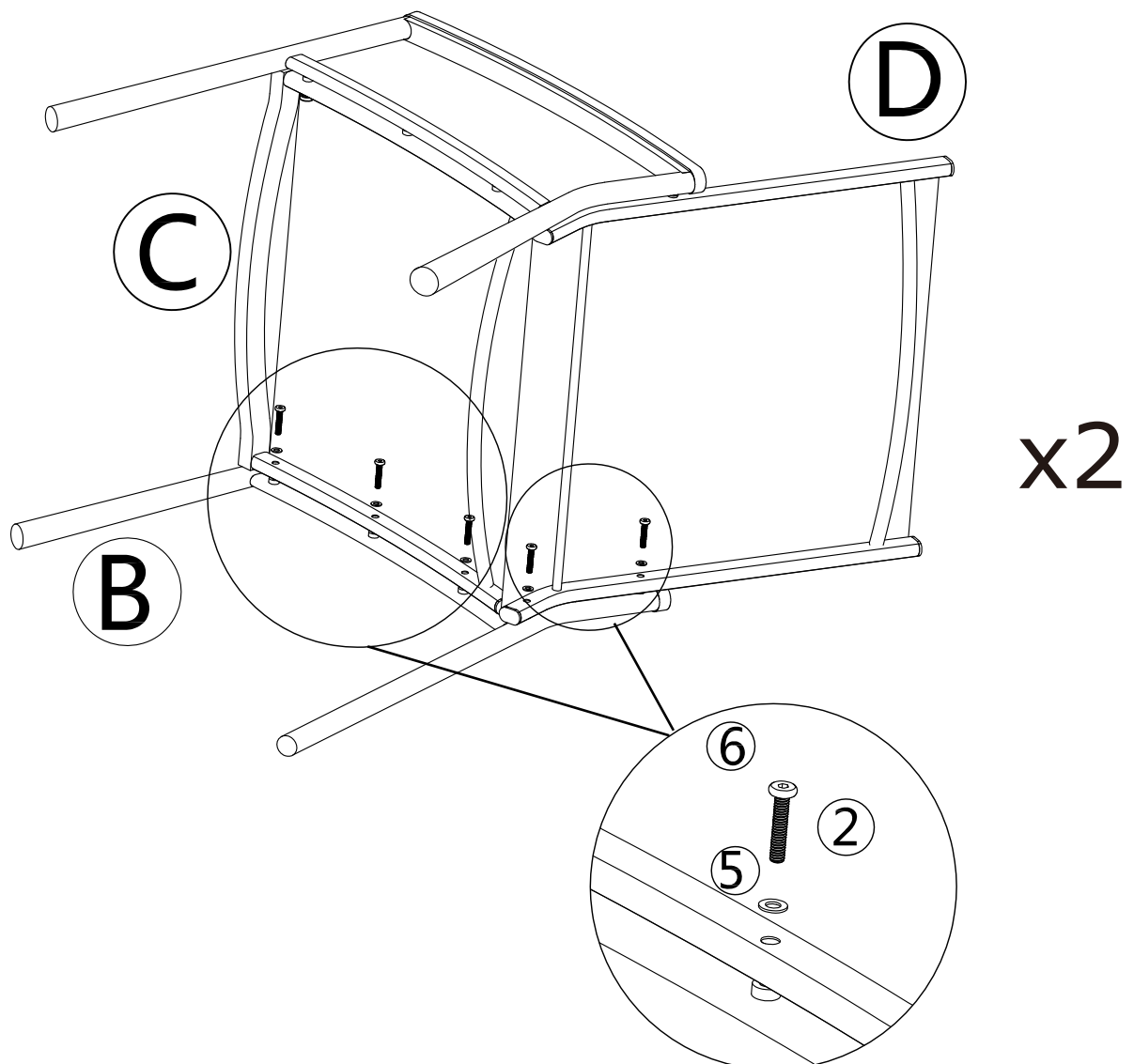


Fix part A with part D with two M6x30mm Screws (2) and (5) Flat Washers. Use (7) Allen key. **DO NOT YET TIGHTEN.**

STEP 2





Fix part C with part B with three M6x30mm Screws (2) and (5) Flat Washers. Use (7) Allen key. **DO NOT YET TIGHTEN.**



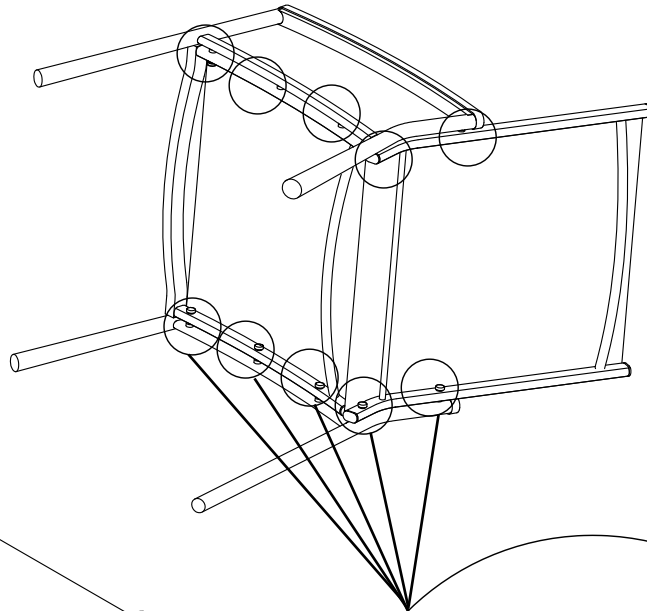
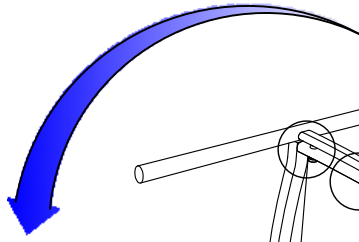
Fix part D with part B with two M6x30mm Screws (2) and (5) Flat Washers. Use (7) Allen key.

STEP 3

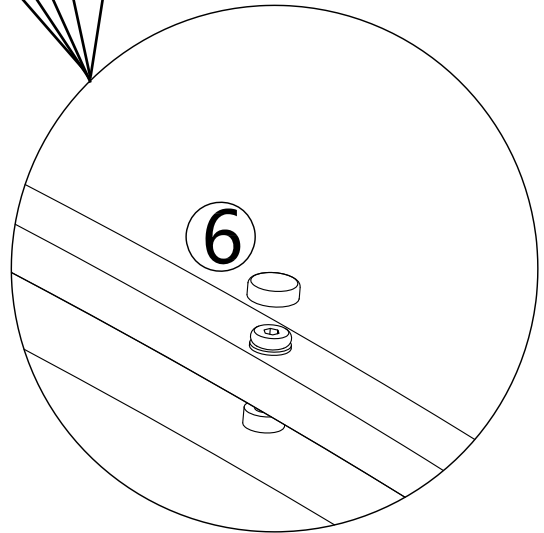
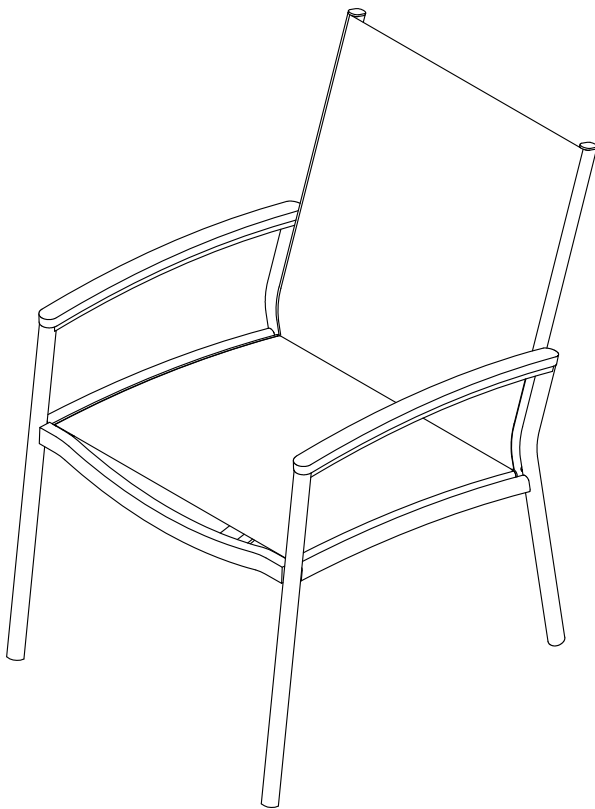
⑥ x 10	⑦ x 1		
			

**Adjust alignments and NOW
TIGHTEN ALL SCREWS with (7) Allen key.**

90°






x2



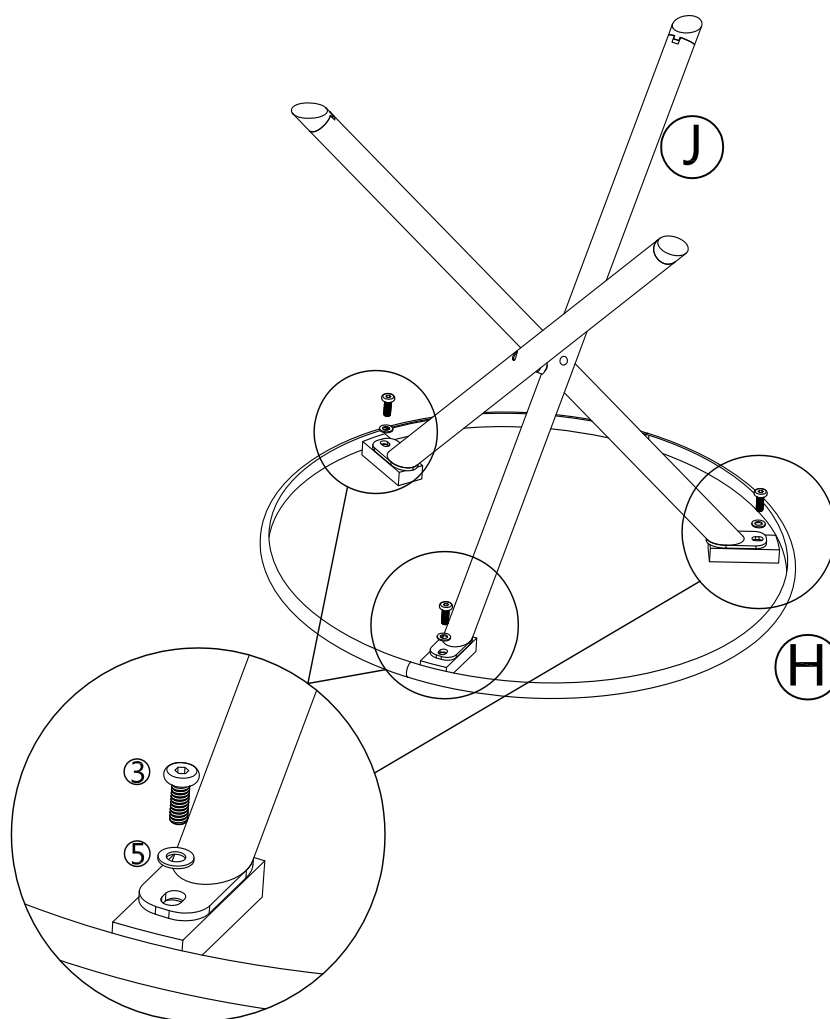
Install (6) on all Screws.

STEP 4




<p>③ x 3</p>  <p>M6 x 15 mm</p>	<p>⑤ x 3</p> 	<p>⑦ x 1</p> 	
--	--	--	--

Put the table legs right. Fix leg J with part H with three M6x15mm Screws (3) and (5) Flat Washers. Use (7) Allen key.

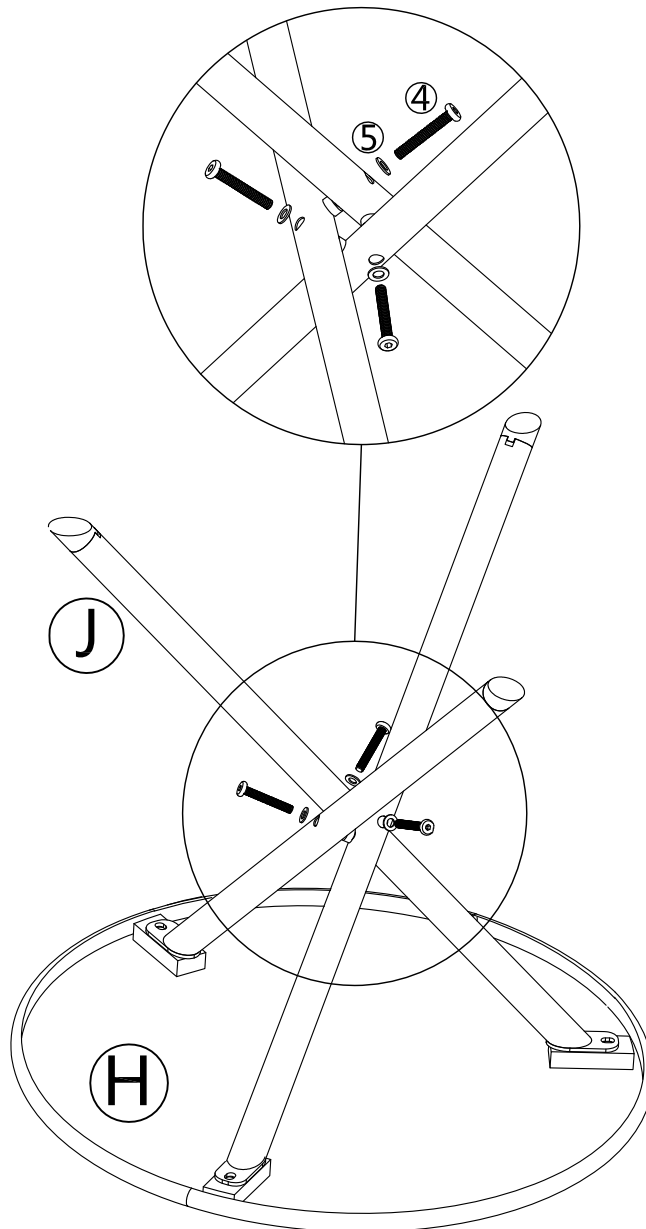
DO NOT YET TIGHTEN.



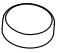

STEP 5

<p>④ x 3 M6 x 40 mm</p> 	<p>⑤ x 3</p> 	<p>⑦ x 1</p> 	
---	--	--	--

Fix leg J with three M6x15mm Screws (4) and (5) Flat Washers. Use (7) Allen key.



STEP 6

⑥ x	⑦ x 1	
		

**Adjust alignments and NOW
TIGHTEN ALL SCREWS with (7) Allen key.
Install (6) on all Screws.**

