

NOTICE

- * Please make sure that you have all parts indicated and are in good condition before you begin assembly of this item. Refer to part list and hardware list below for guidance .
- * This item should be assembled on a soft surface to prevent scratching the finish during assembly.
- * This item may require periodic tightening.
- * If you are having difficulty, our friendly customer care team is always here to help .


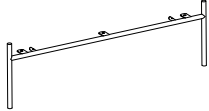
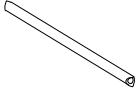



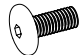
PREPARATION

- * Before beginning assembly of product , make sure all parts are present . Compare parts with parts contents list and hardware contents list.
- * If any part is missing or damaged, do not attempt to assemble the product.
- * Estimated Assembly time : 10 minutes
- * Tools Required for Assembly (included): Allen key

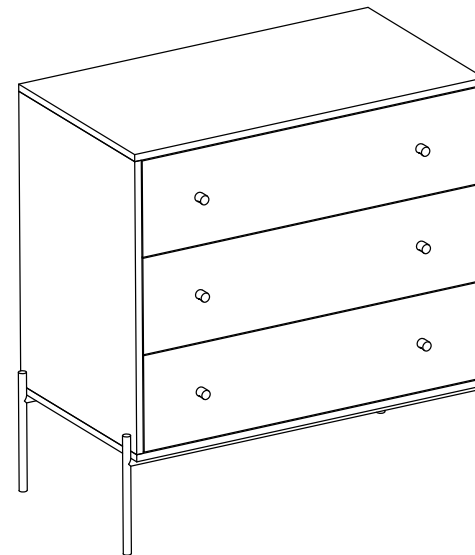
CARE AND MAINTENANCE

- *Spot clean using a mild water-free solvent. Only a professional cleaner should undertake a complete overall cleaning.
- *The use of steam or water-based cleaners may cause excessive shrinking or staining.

Part List and Hardware List

PIECE	DESCRIPTION	PICTURE	QUANTITY
A	Cabinet		1X
B	Leg		2X
C	Stretcher		2X
Hw1	Allen bolt 6 X 1 X 16 mm		24X
Hw2	Flat washer 16 x 8 mm		24X
Hw3	Allen key 4 mm		1X
Hw4	Allen key 4 mm		4X

Product Dimensions: 32.69"L* 17.69"W*33.39"D



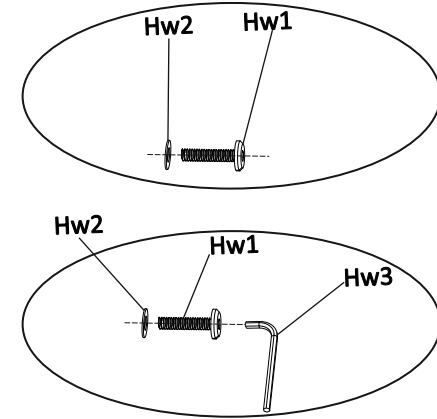
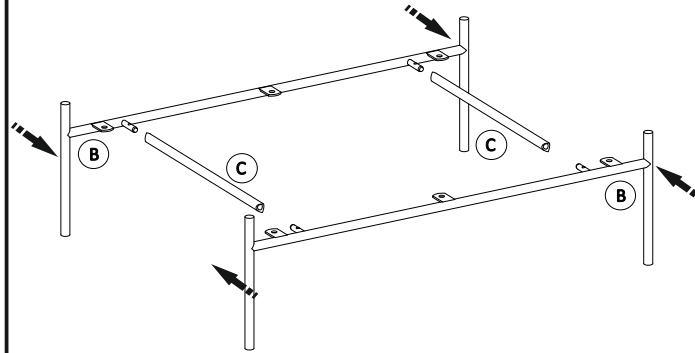
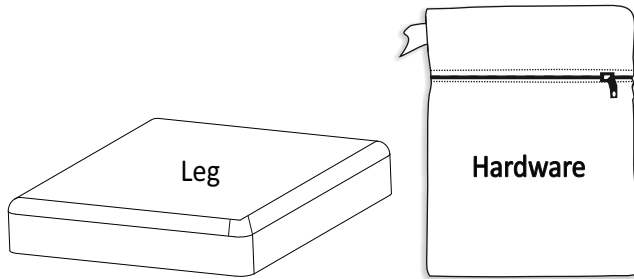
Weight Capacity - 175 LBS

Warning : Do not stand on Chest

Warning : Do not over torque bolts.

PREPARATION

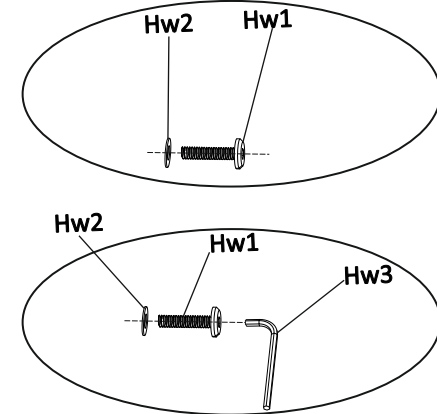
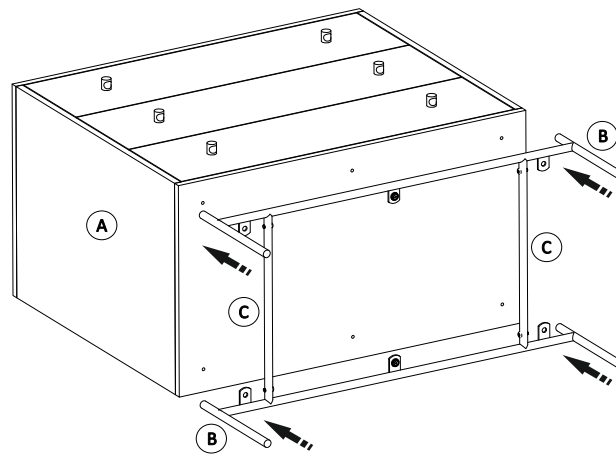
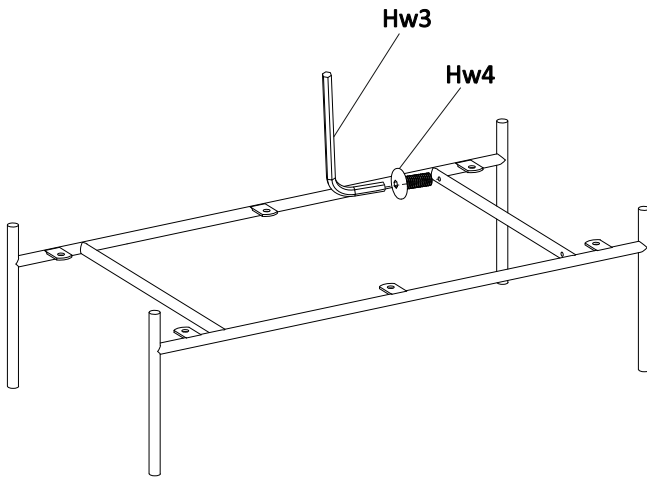
- * Before beginning assembly of product , make sure all parts are present . Compare parts with parts contents list and hardware contents list.
- * If any part is missing or damaged, do not attempt to assemble the product.
- * Estimated Assembly time : 10 minutes
- * Tools Required for Assembly (included): Allen key
- * If you are having difficulty, our friendly Customer Care team is always here to help.



STEP1 Unwrap the legs & take out legs.
Open the hardware pouch & take out hardware.

STEP2 Align leg (B) with the stretcher (C).

STEP3 Put the washer on the Bolt in the order shown in picture.



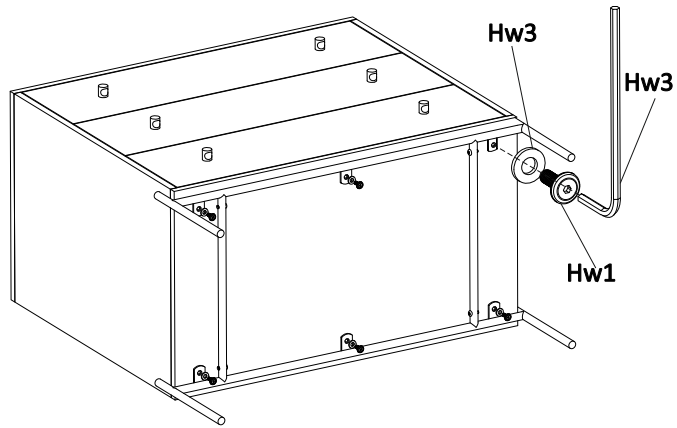
STEP4 Insert Allen Bolt (Hw4) tighten with allen key (Hw3) Don't over tighten.

STEP5 Now align complete leg assembly (B+C) with cabinet (A) as shown.

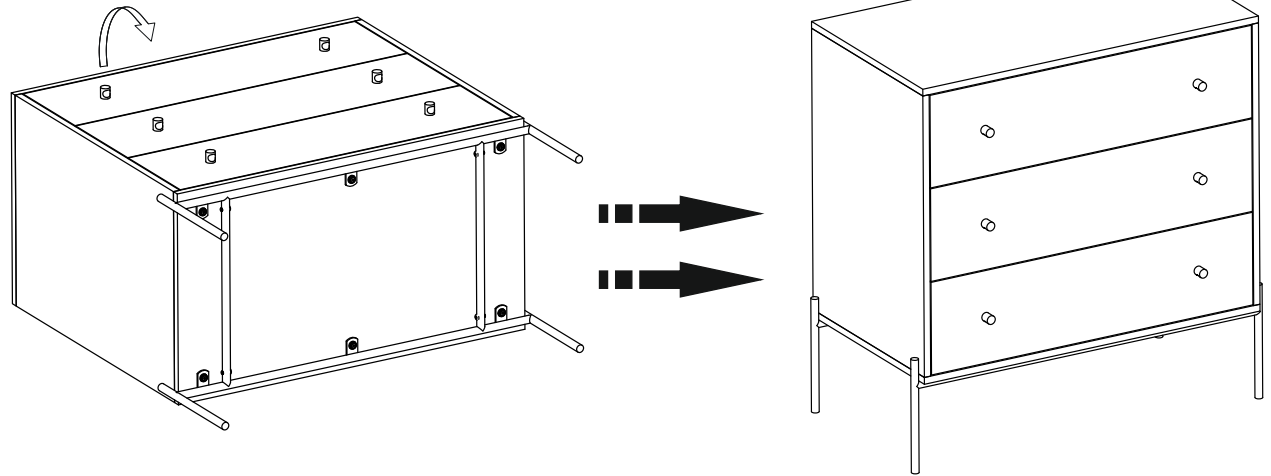
STEP6 Put the washer on the Bolt in the order shown in picture.

PREPARATION

- * Before beginning assembly of product , make sure all parts are present . Compare parts with parts contents list and hardware contents list.
- * If any part is missing or damaged, do not attempt to assemble the product.
- * Estimated Assembly time : 10 minutes
- * Tools Required for Assembly (included): Allen key
- * If you are having difficulty, our friendly Customer Care team is always here to help.



STEP7 Insert Allen Bolt (HW1) tighten with allen key (HW3) Don't over tighten.



STEP8 flip the chest upright with help.