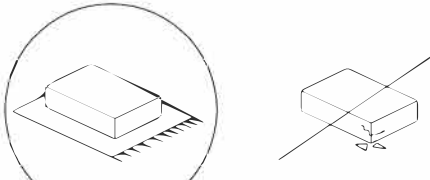



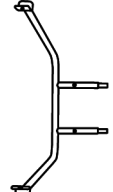
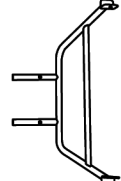
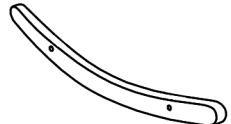
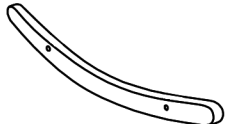
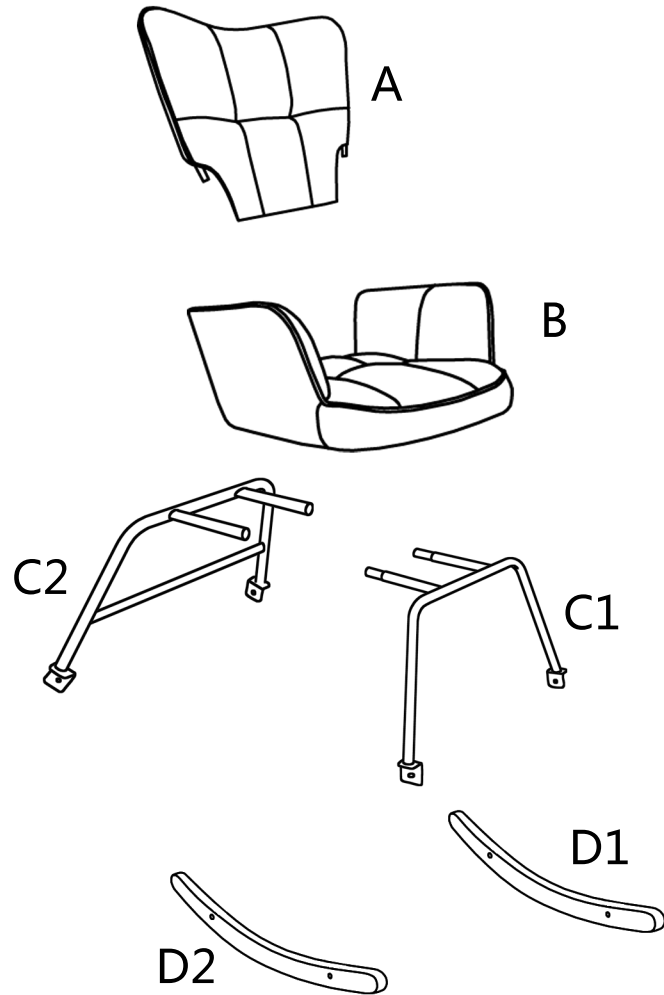

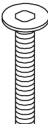




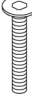


	<p>30'</p>
		
		<p>1</p>

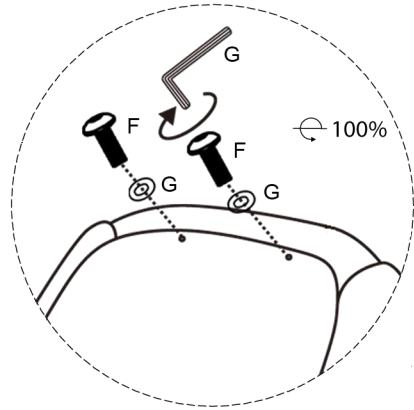
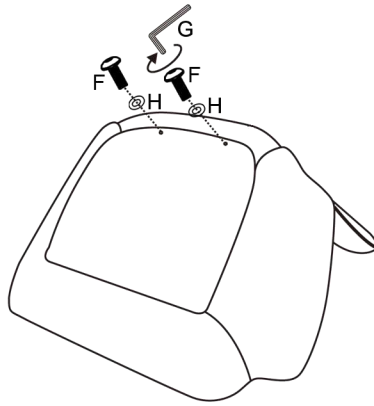
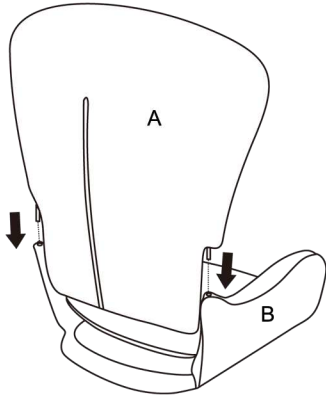
<p>A</p>  <p>x 1</p>	<p>B</p>  <p>x 1</p>	<p>C1</p>  <p>x 1</p>	<p>C2</p>  <p>x 1</p>	<p>D1</p>  <p>x 1</p>	<p>D2</p>  <p>x 1</p>
------------------------------------------------------------------------------------------------------	-------------------------------------------------------------------------------------------------------	--------------------------------------------------------------------------------------------------------	--------------------------------------------------------------------------------------------------------	----------------------------------------------------------------------------------------------------------	----------------------------------------------------------------------------------------------------------





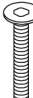

<p>E</p>  <p>M6 x 30</p> <p>x 8</p>	<p>F</p>  <p>M8 x 55</p> <p>x 2</p>	<p>G</p>  <p>x 1</p>	<p>H</p>  <p>x 2</p>
--------------------------------------------------------------------------------------------------------------------------------	--------------------------------------------------------------------------------------------------------------------------------	----------------------------------------------------------------------------------------------------------	-----------------------------------------------------------------------------------------------------------

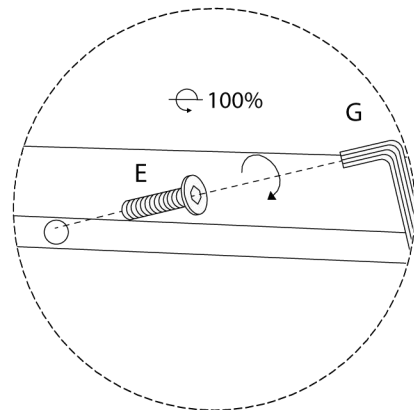
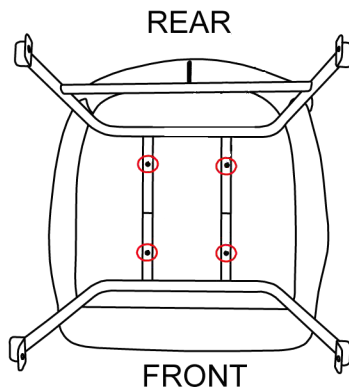
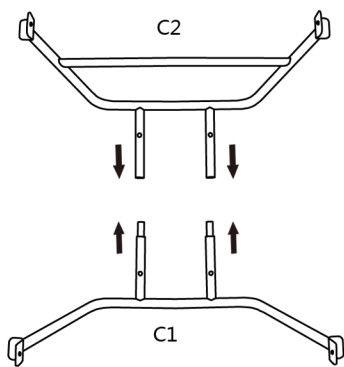
1

A  x 1	B  x 1	F  M8 x 55 x 2	G  x 1	H  x 2
------------------------------------------------------------------------------------------------------	------------------------------------------------------------------------------------------------------	-----------------------------------------------------------------------------------------------------------------------	-------------------------------------------------------------------------------------------------------	--------------------------------------------------------------------------------------------------------

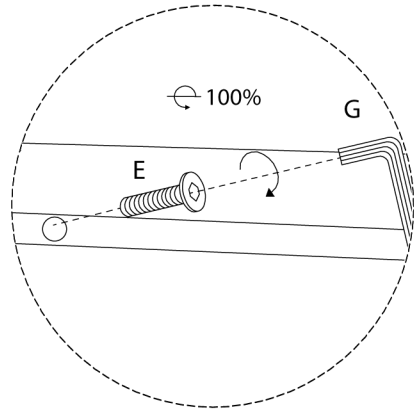
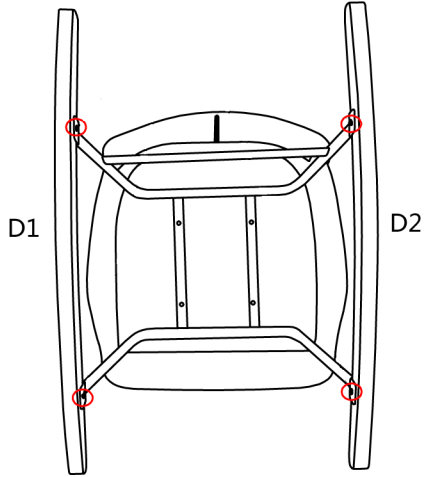
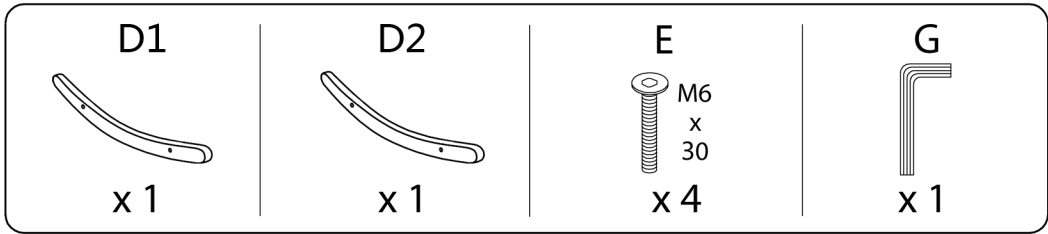


2

C1  x 1	C2  x 1	E  M6 x 30 x 4	G  x 1
---------------------------------------------------------------------------------------------------------	---------------------------------------------------------------------------------------------------------	--------------------------------------------------------------------------------------------------------------------------	----------------------------------------------------------------------------------------------------------



3



4

