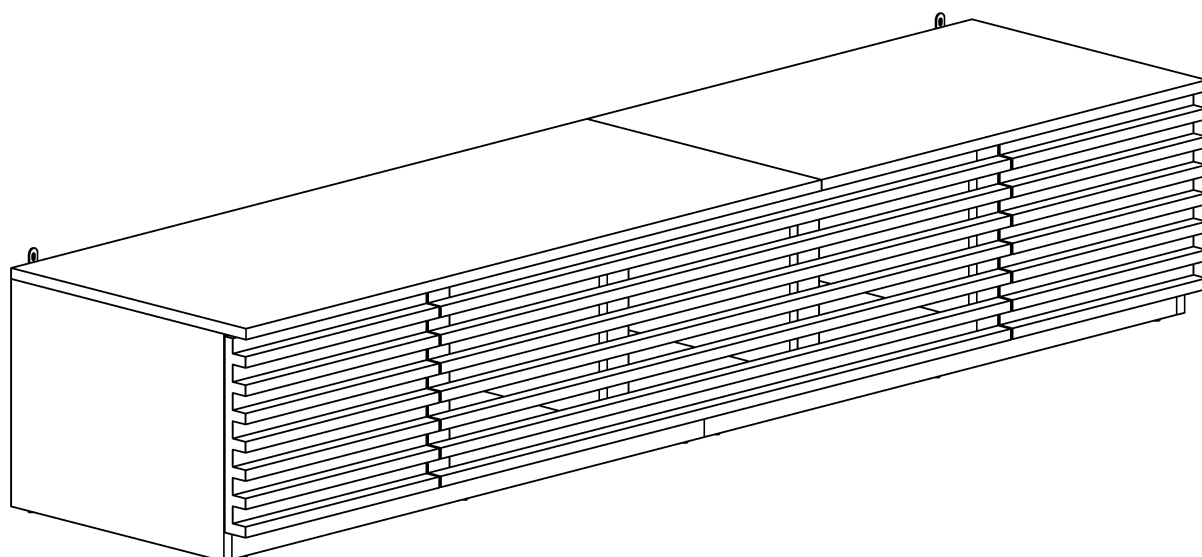


ASSEMBLY INSTRUCTION BAUANLEITUNG



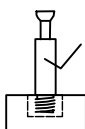
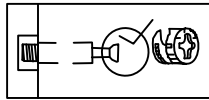
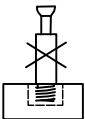
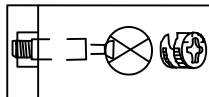
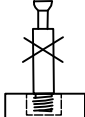
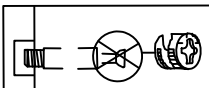
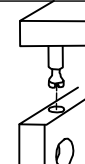
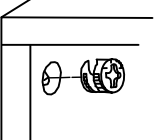
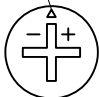
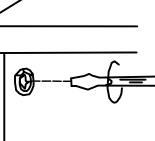

Before Installation

Important-Please read these instructions fully before starting assembly

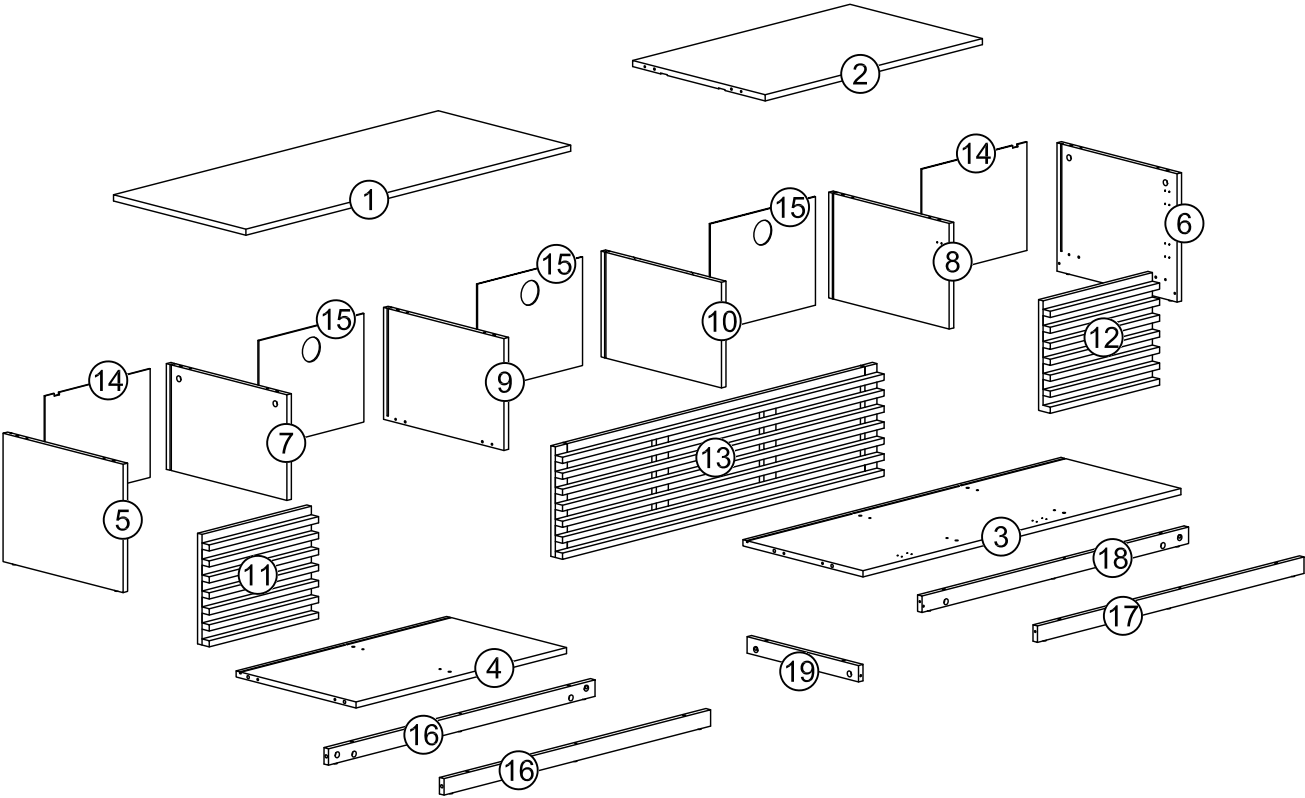
Thank you for purchasing this quality product. Be sure to check all packing materials carefully for small parts, which may have come loose inside the carton during shipment. Identify and count all items according to the PARTS LIST and/or HARDWARE LIST shown below. Check you have all the components and tools listed on the following pages.

- We recommend that you assemble this product with the assistance of another person; this will make the assembly easier, and will help eliminate damage to the product or injury to persons during assembly.
- Please do not over tighten screws or bolts until the assembly is completed.
- Keep children and animal away from the work area, small parts could choke if swallowed. Please put all parts on a non-abrasive floor before assembly, and follow the assembly steps to assemble your newly purchased product correctly and efficiently.

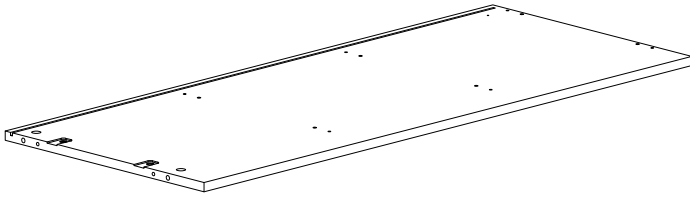
Cam Lock Assembly Instructions

		Diagram A Insert Cam Bolt into hole as shown in diagram A.
		Diagram B Make sure not to insert the Cam Bolt: Too deep as shown in figure B as this will cause the Cam Lock to be misaligned and unable to interlock properly.
		Also avoid inserting the Cam Bolt too close to the surface of the hole as shown in figure C, as this will cause the Cam Lock to be too loose, and not interlock properly.
		Connect the panels together.
		ARROW SIGN Insert the Cam Lock so the side opening fits over the head of the Cam Bolt.
		To tighten the Cam Lock, turn it clockwise on half a turn with a flat screwdriver. *Do not use an automatic screwdriver as it may bend or break if too much power is imposed.

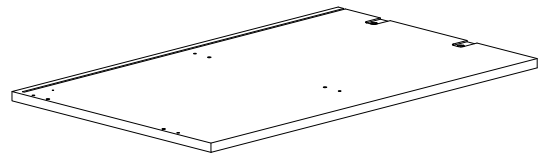
Parts list



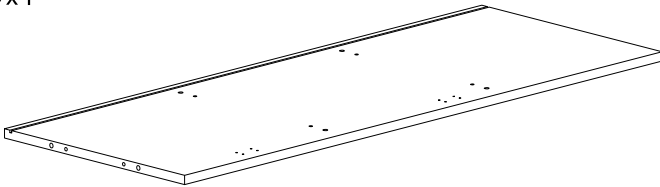
①x1



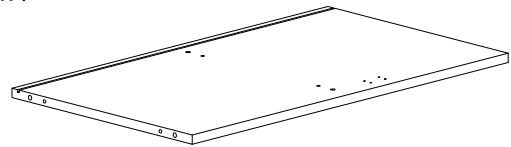
②x1



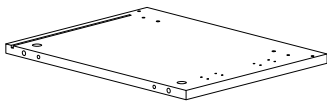
③x1



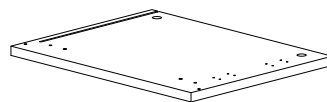
④x1



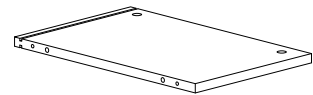
⑤x1



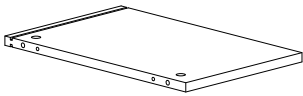
⑥x1



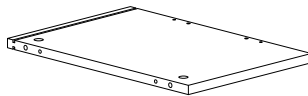
⑦x1



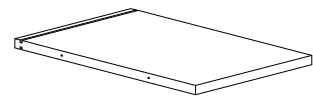
⑧x1



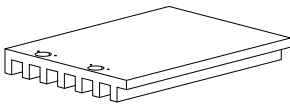
⑨x1



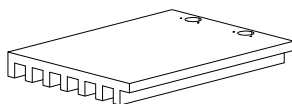
⑩x1



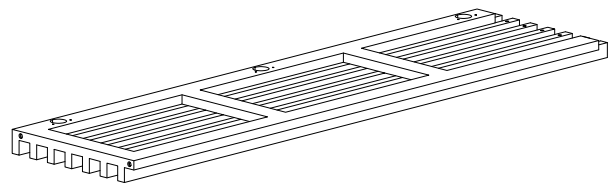
⑪x1



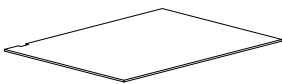
⑫x1



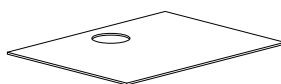
⑬x1



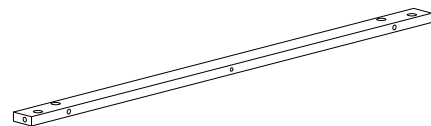
⑭x2



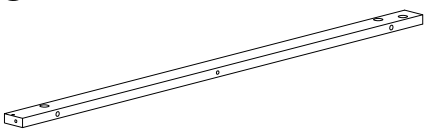
⑮x3



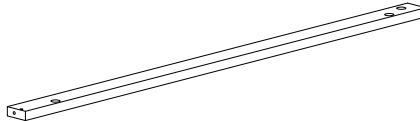
⑯x2



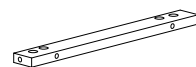
⑰x1





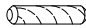









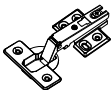


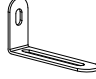



⑱x1





⑲x1



Hardware

A	x 38	B	x 38	C	x 30	D	x 54	E	x 8	F	x 2
											
Φ6x36mm		Φ15mm		Φ6x30mm		Φ3.5x12mm		Φ3.5x15mm		Φ4x35mm	
G	x 2	H	x 4	J	x 6	K	x 12	L	x 1	M	x 2
											
Φ4x14mm		M6x10mm		Φ7x48mm		15x10mm		4mm			
N	x 7	P	x 2	Q	x 2	R	x 2	S	x 10	T	x 1
											
		Φ4x45mm		Φ8x35mm				Φ20mm			

D	x 54	E	x 8
			
Φ3.5x12mm		Φ3.5x15mm	

(DE) Bitte beachten Sie, dass die Formen der Schrauben D und E ähnlich sind. Bitte installieren Sie entsprechend der Anleitung und unterscheiden Sie sie

(UK) Please note that the shapes of screws D and E are similar. Please install according to the instructions and distinguish them!

(FR) Notez que les vis D et E ont des formes similaires. Veuillez les installer en suivant les instructions pour les séparer!

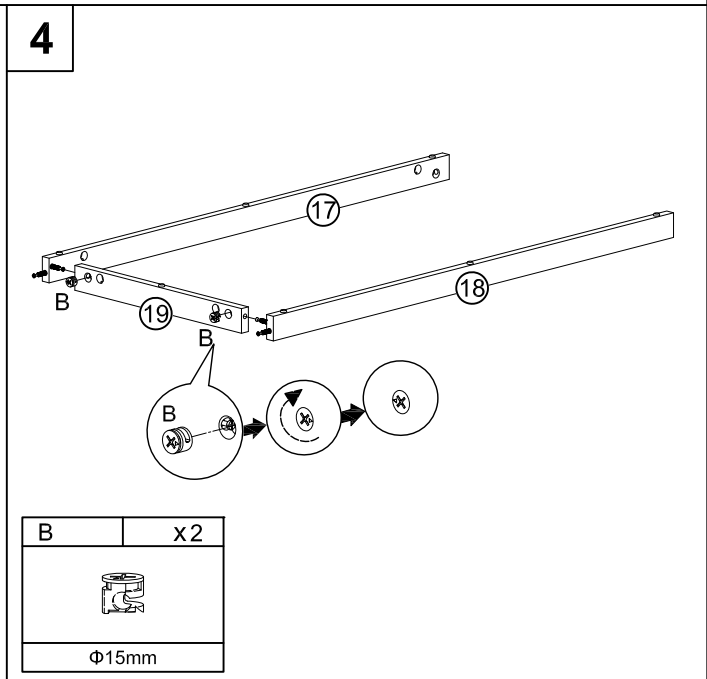
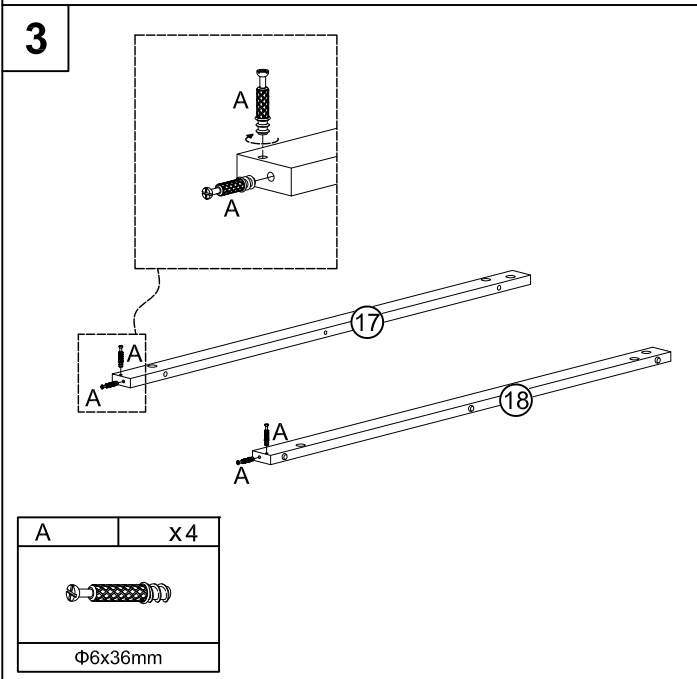
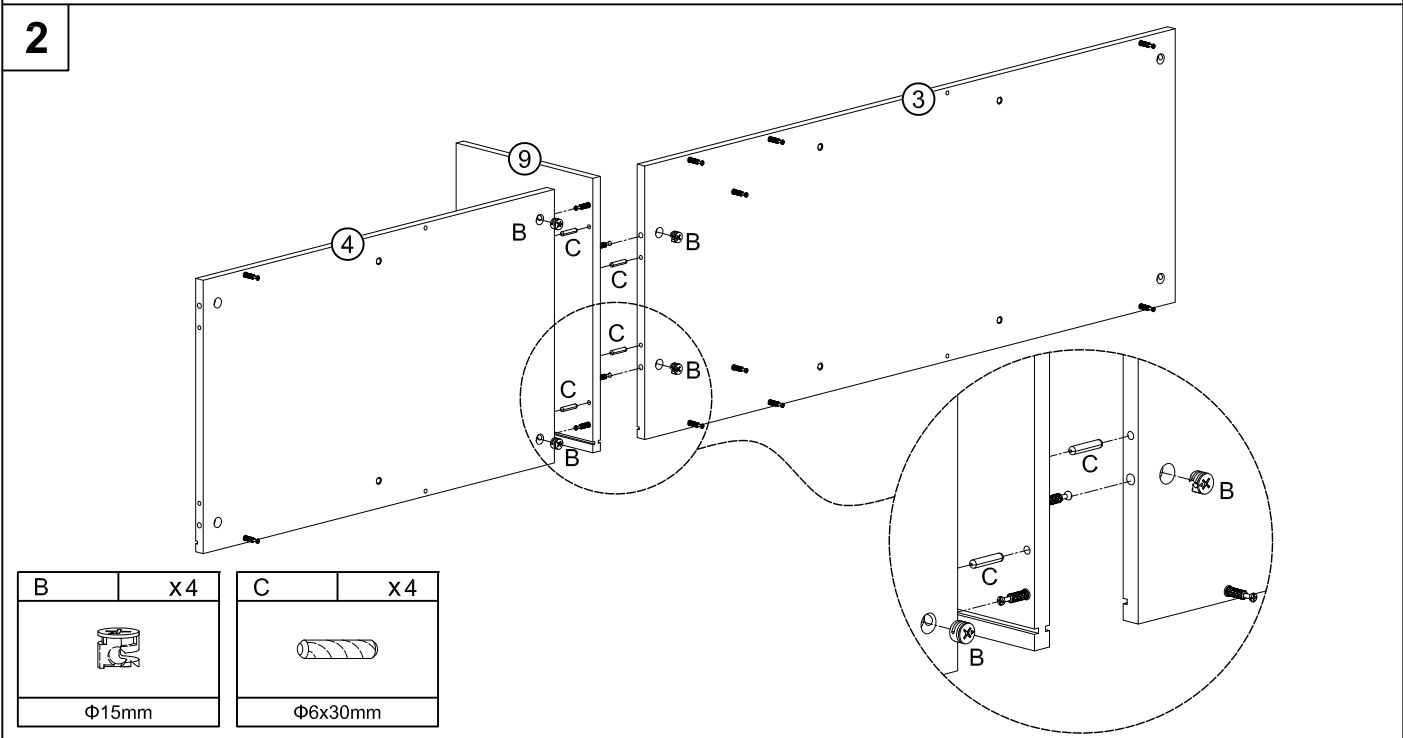
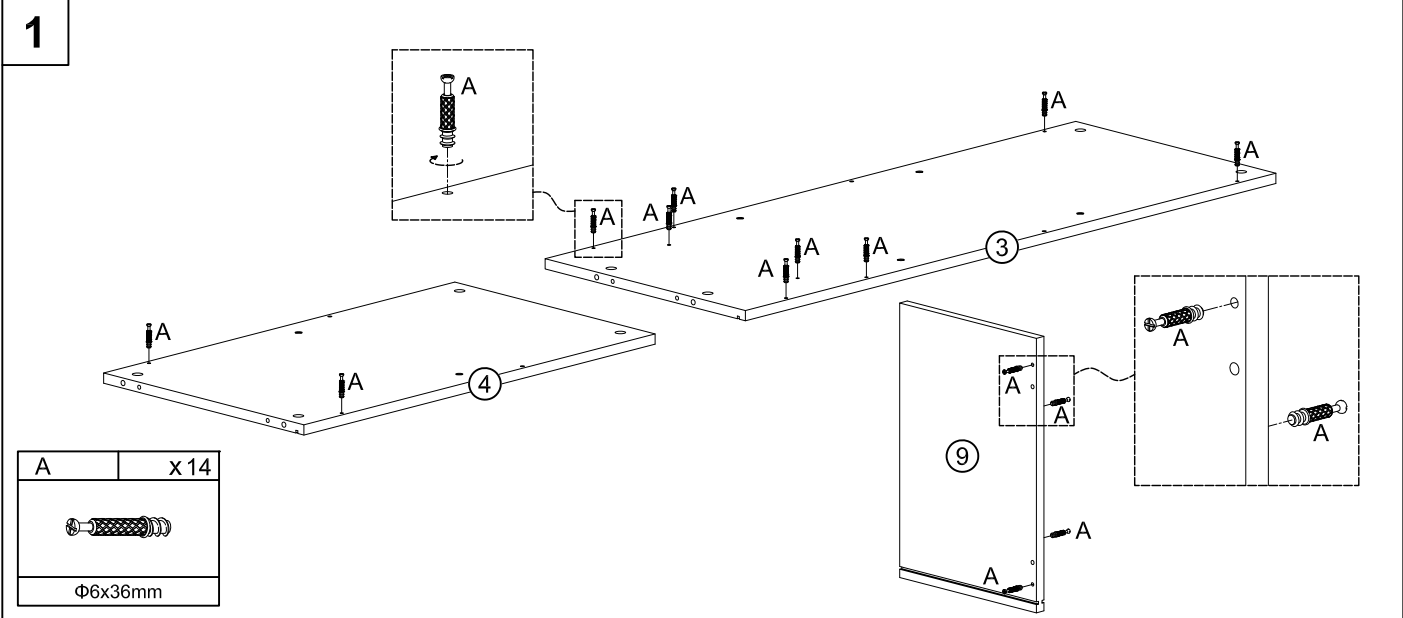
(IT) Si prega di notare che le forme delle viti D e E sono simili. Si prega di installarle seguendo le istruzioni e di distinguerle!

(ES) Por favor, tenga en cuenta que las formas de los tornillos D y E son similares. Por favor, instálos de acuerdo con las instrucciones y distíngalos.

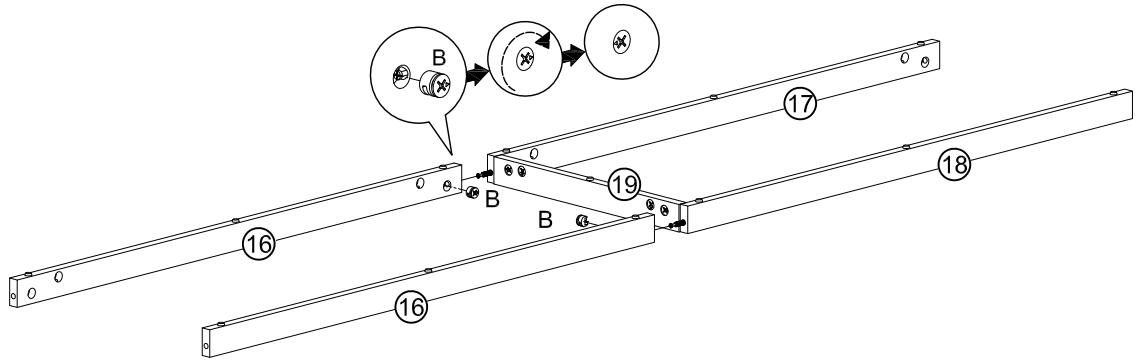
(NL) Let op, de vormen van schroeven D en E zijn vergelijkbaar. Installeer volgens de instructies en maak onderscheid tussen ze!


(SE) Observera att formerna på skruvarna D och E är lika. Installera enligt anvisningarna och särskilj dem!

(PL) Zauważ, że kształty śrub D i E są podobne. Zainstaluj zgodnie z instrukcjami i rozróżnij je!

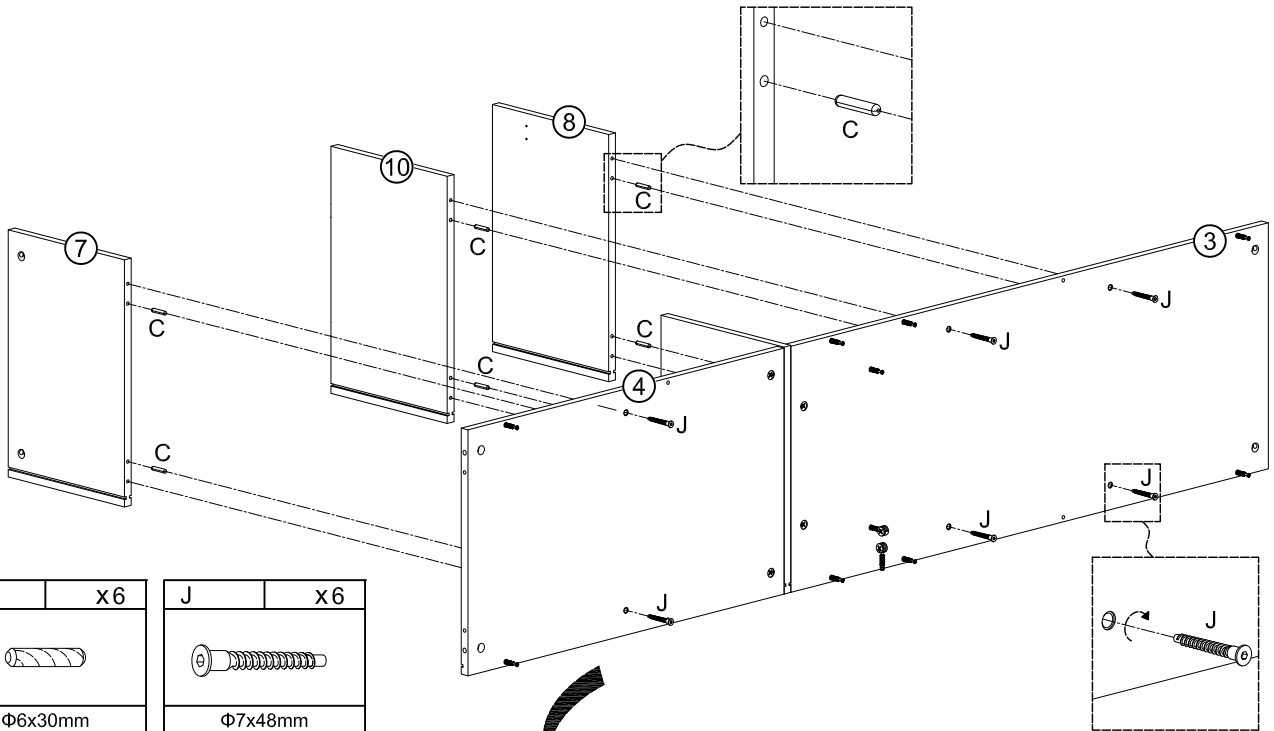


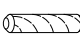
5




B	x2
	
Φ15mm	

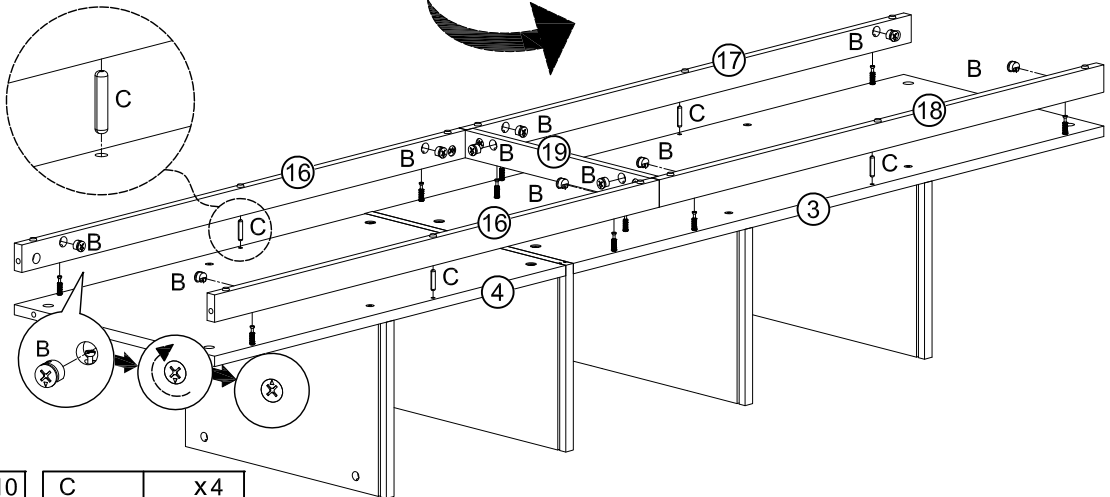
6




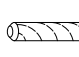
C	x6
	
Φ6x30mm	

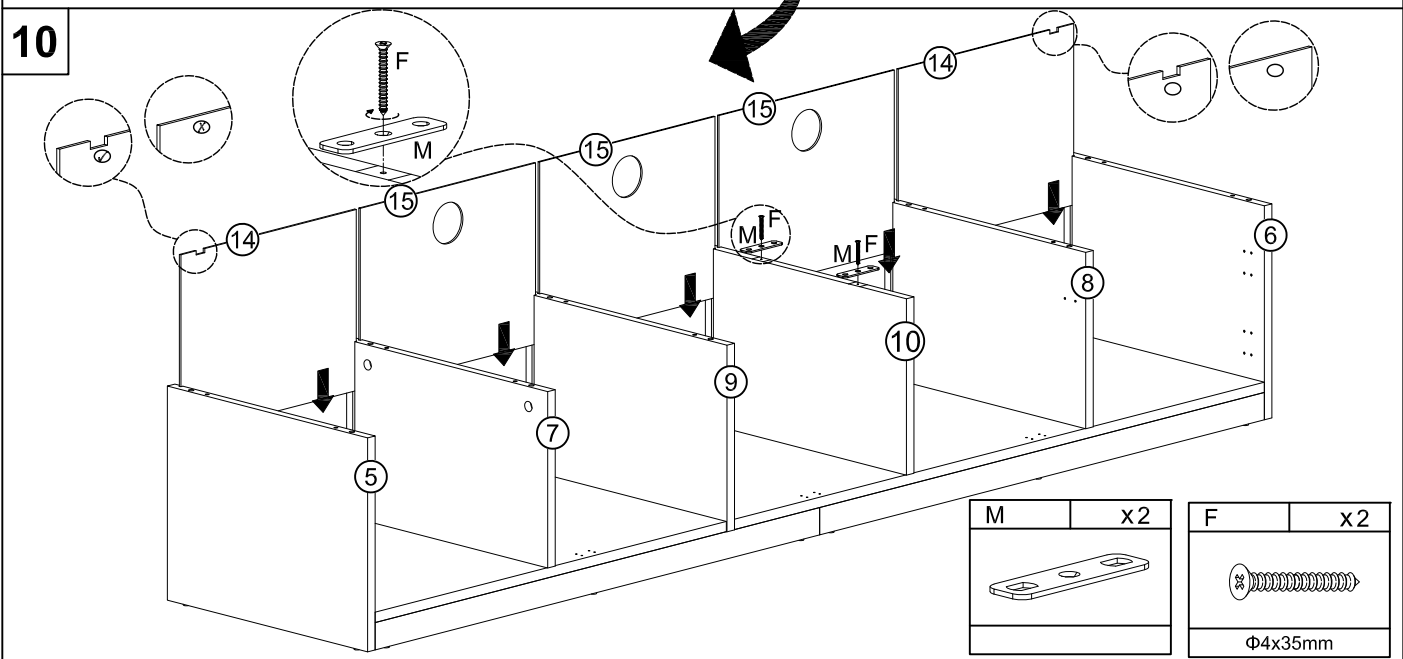
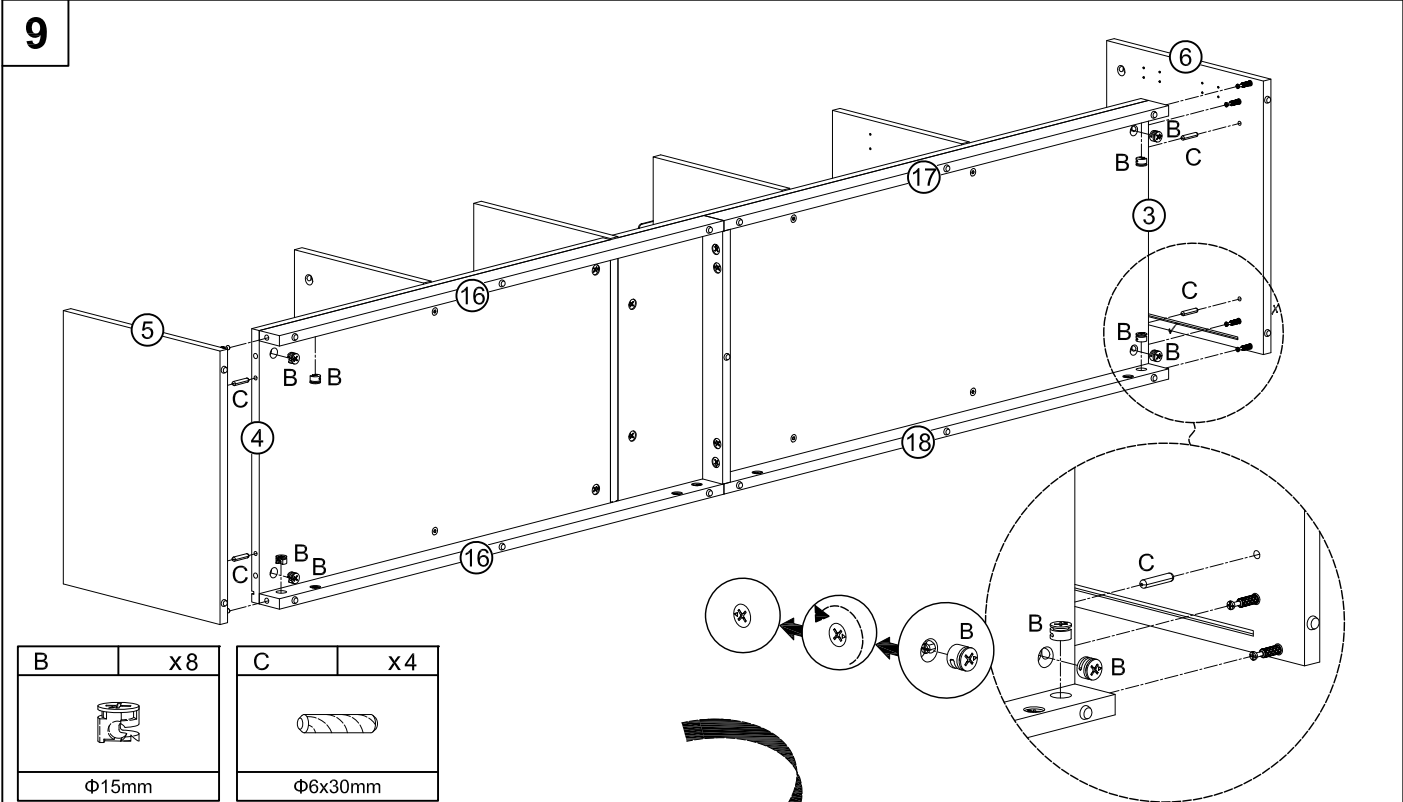
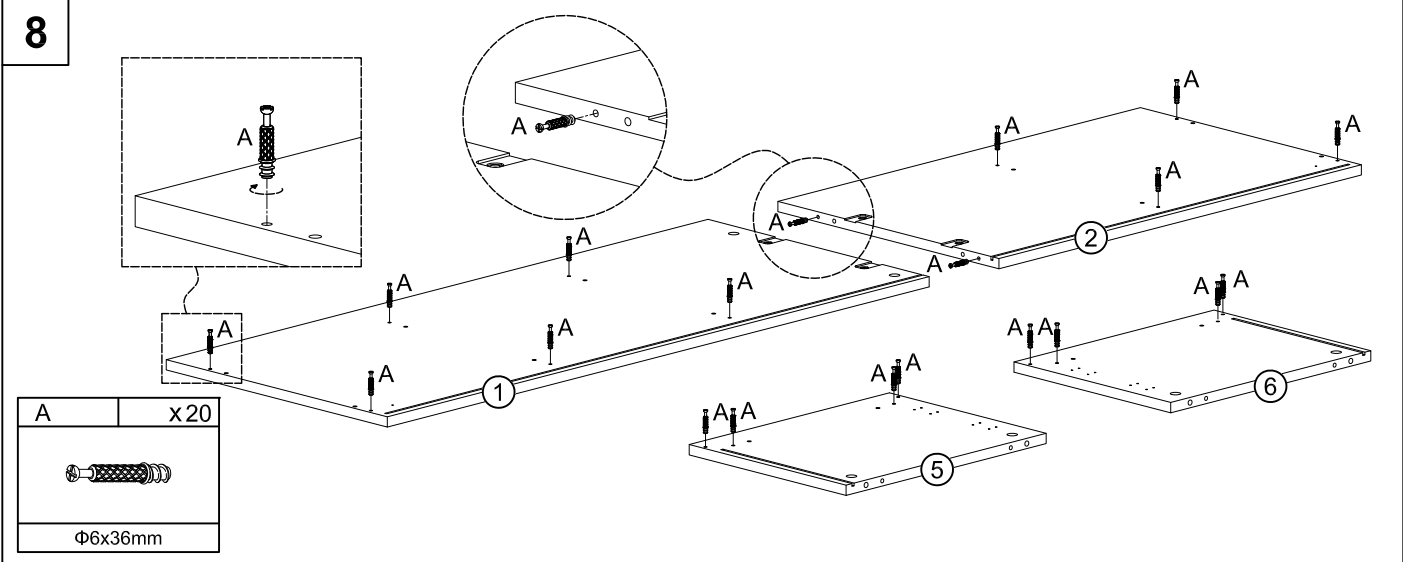
J	x6
	
Φ7x48mm	

7

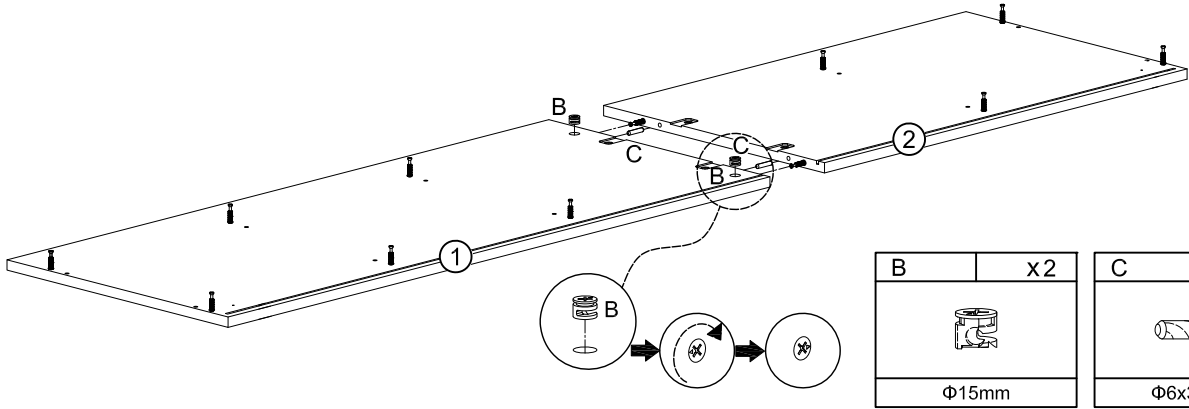


B	x10
	
Φ15mm	

C	x4
	
Φ6x30mm	



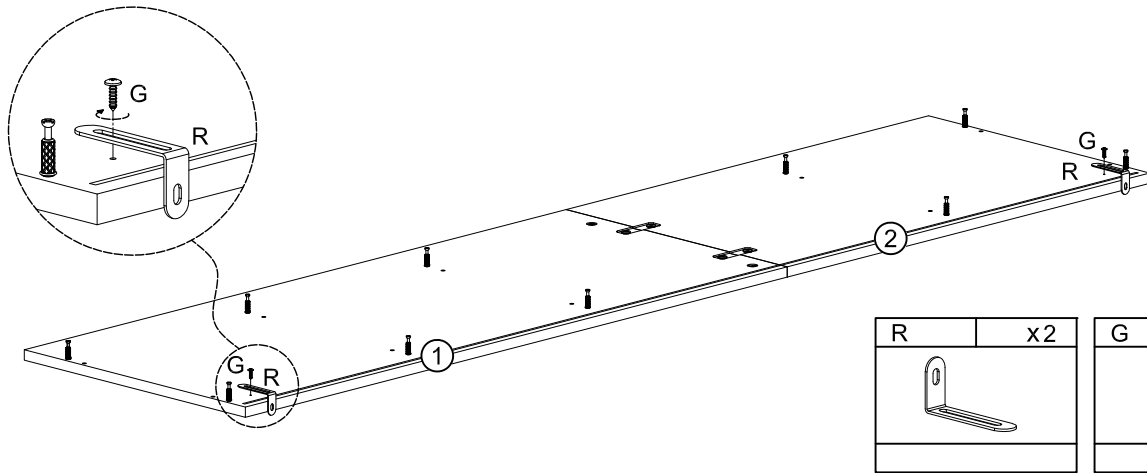
11



B	x2
Φ15mm	

C	x2
Φ6x30mm	

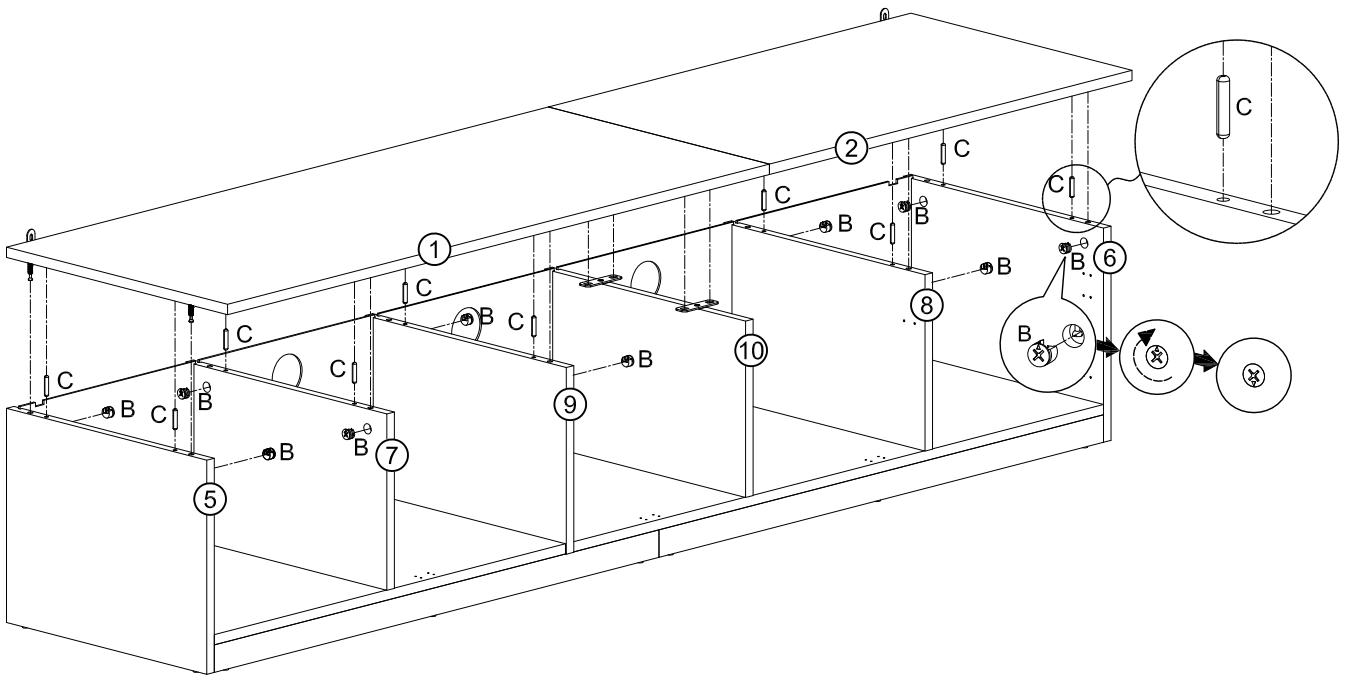
12



R	x2

G	x2
Φ4x14mm	

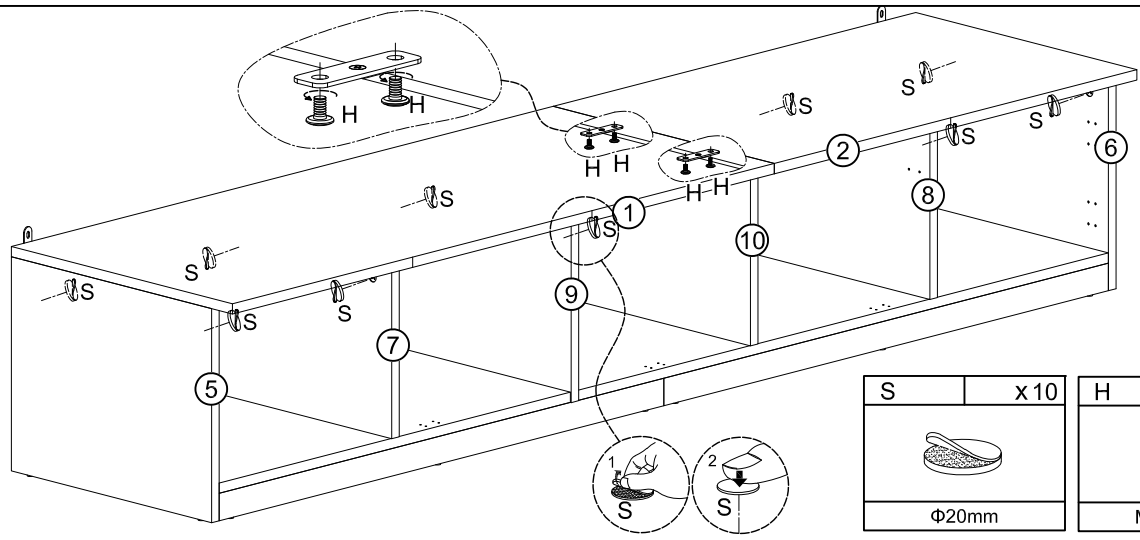
13





B	x10
Φ15mm	

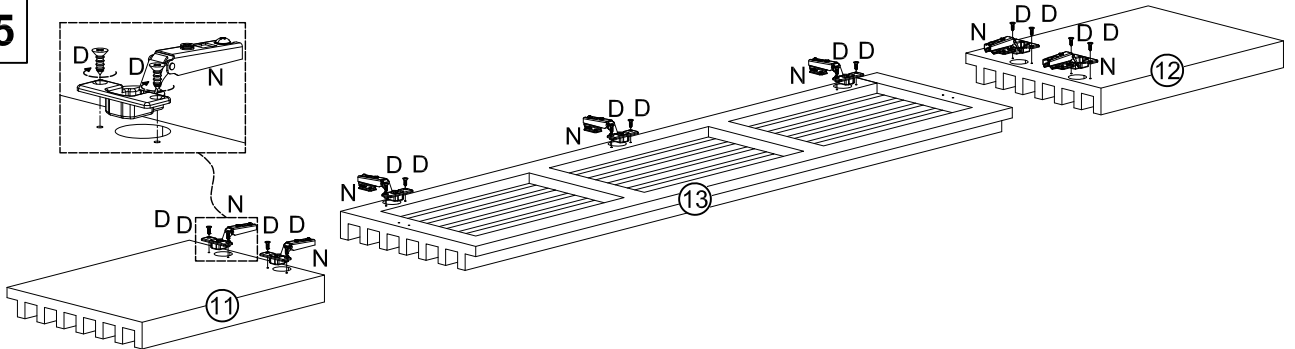
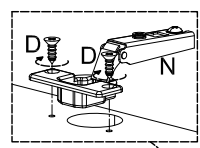
C	x10
Φ6x30mm	

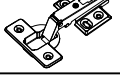

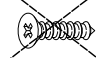
14



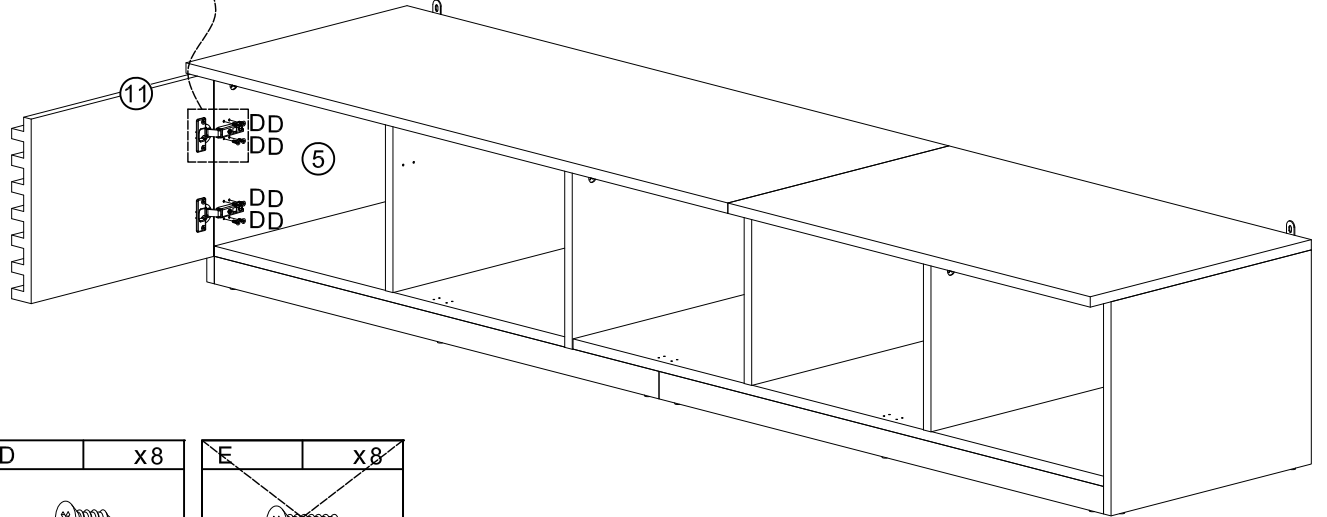
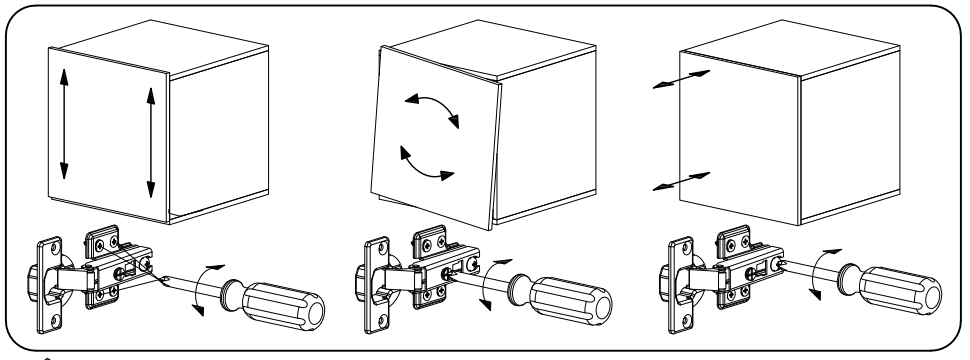
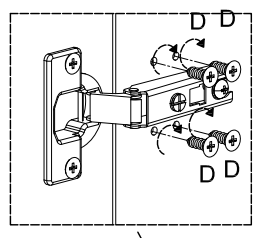
S	x10	H	x4
			
Φ20mm		M6x10mm	


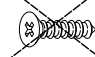
15



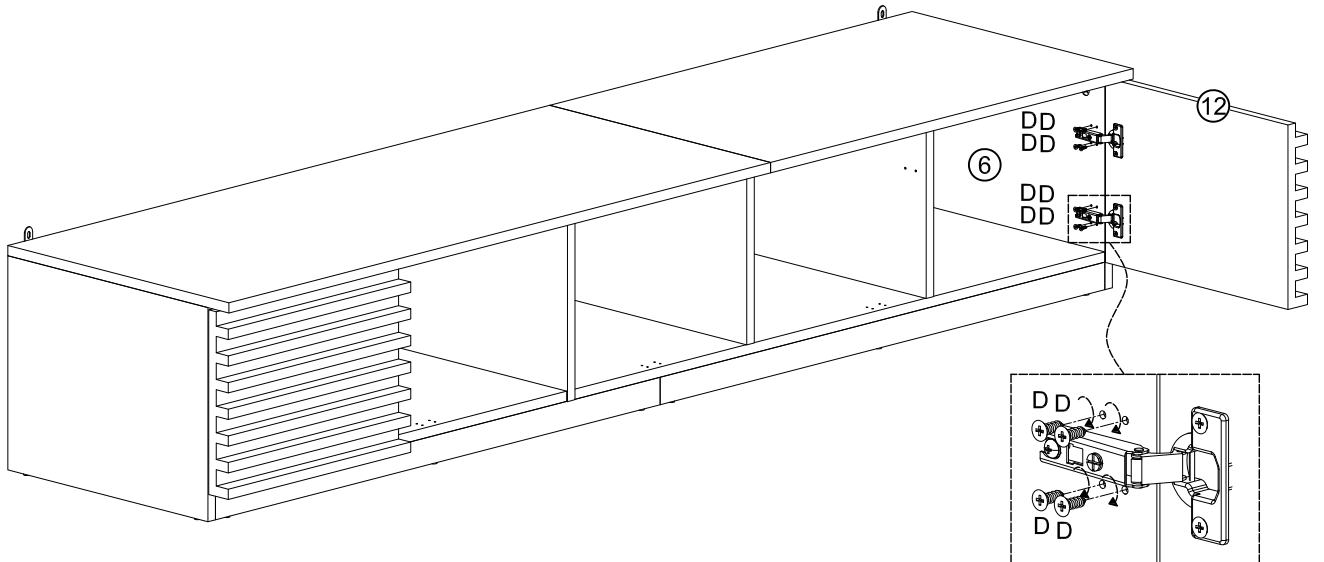
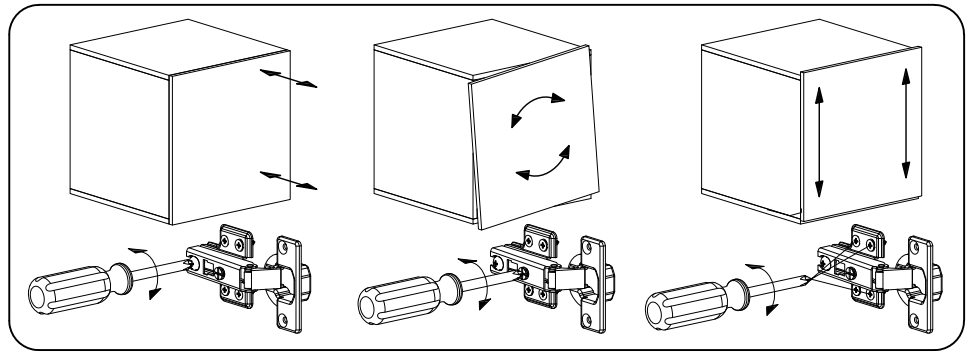
N	x7	D	x14	E	x8
					
		Φ3.5x12mm		Φ3.5x15mm	

16



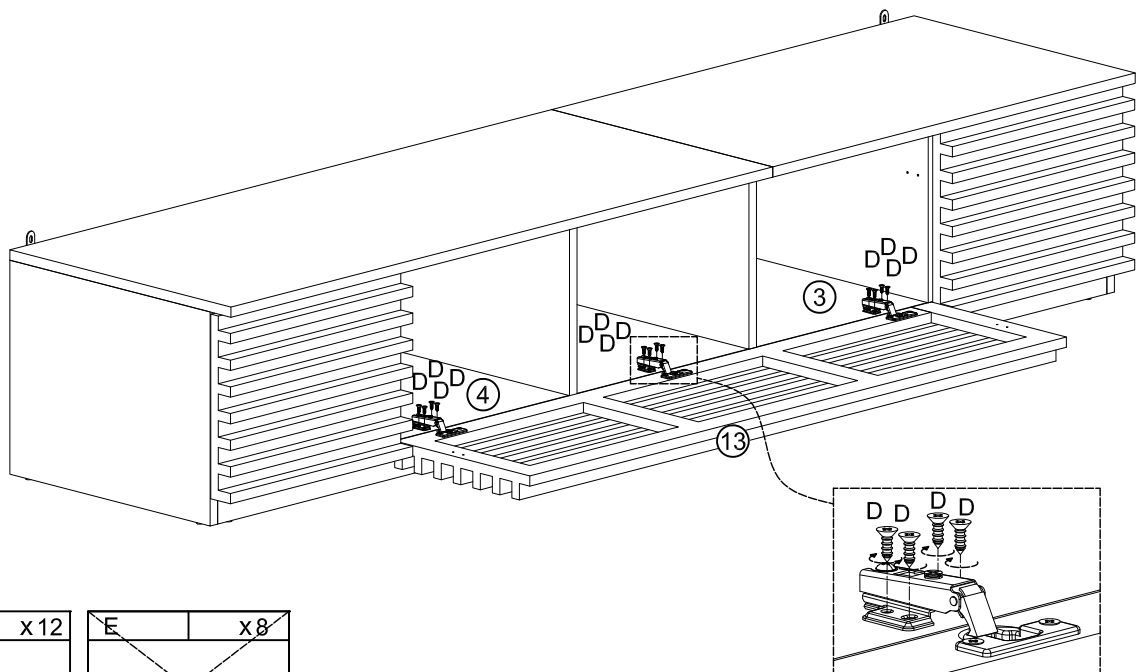
D	x8	E	x8
			
Φ3.5x12mm		Φ3.5x15mm	

17



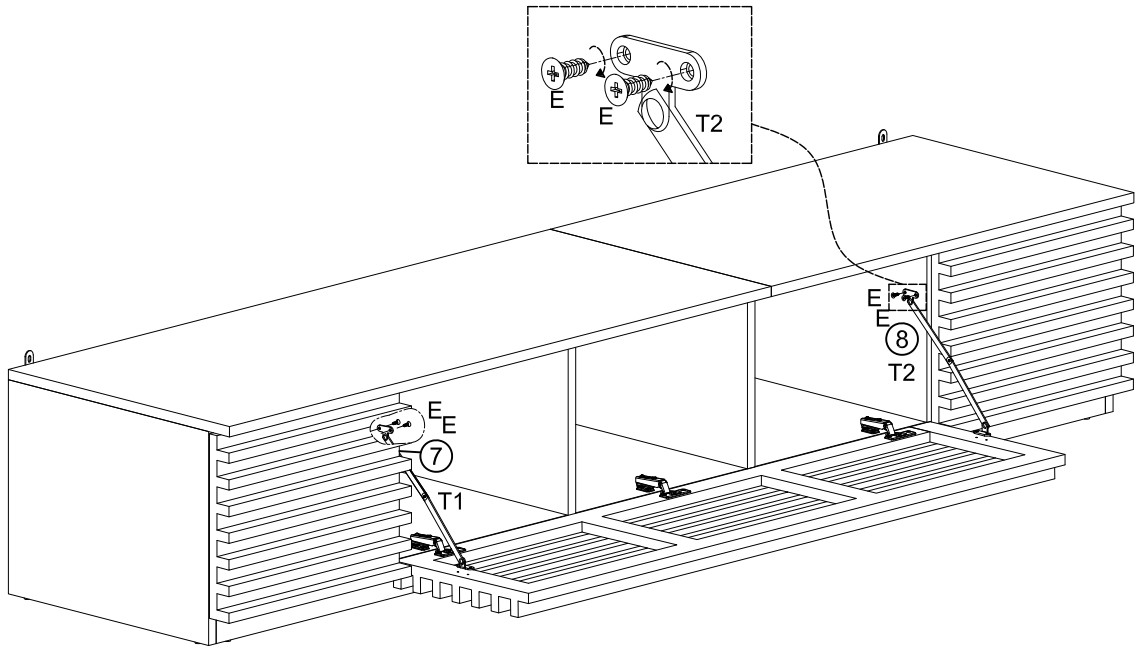
D	x8	E	x8
Φ3.5x12mm		Φ3.5x15mm	






18



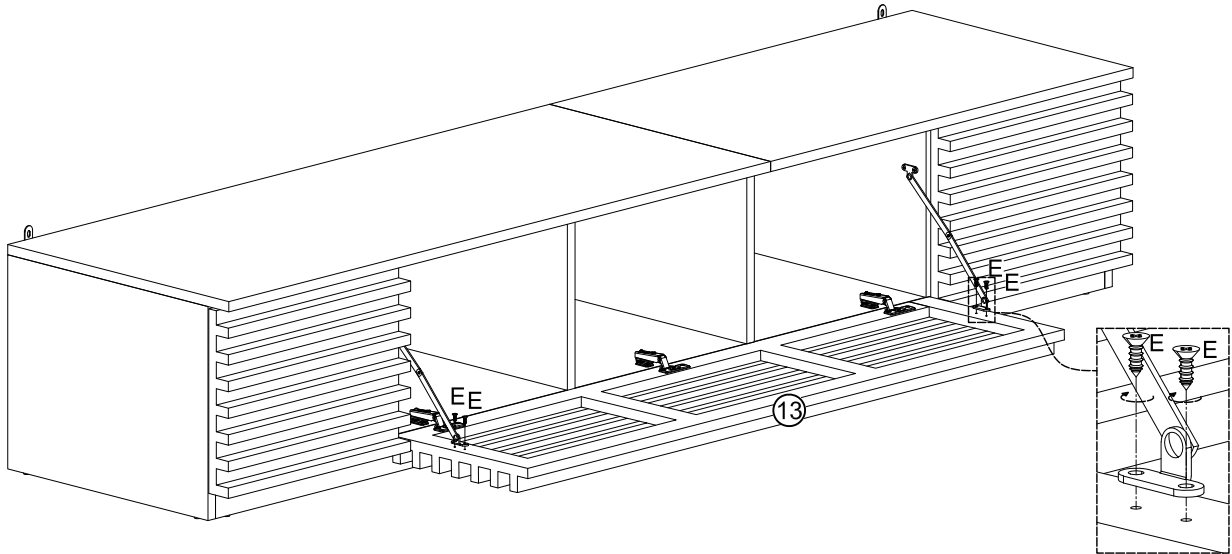
D	x12	E	x8
Φ3.5x12mm		Φ3.5x15mm	


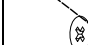
19



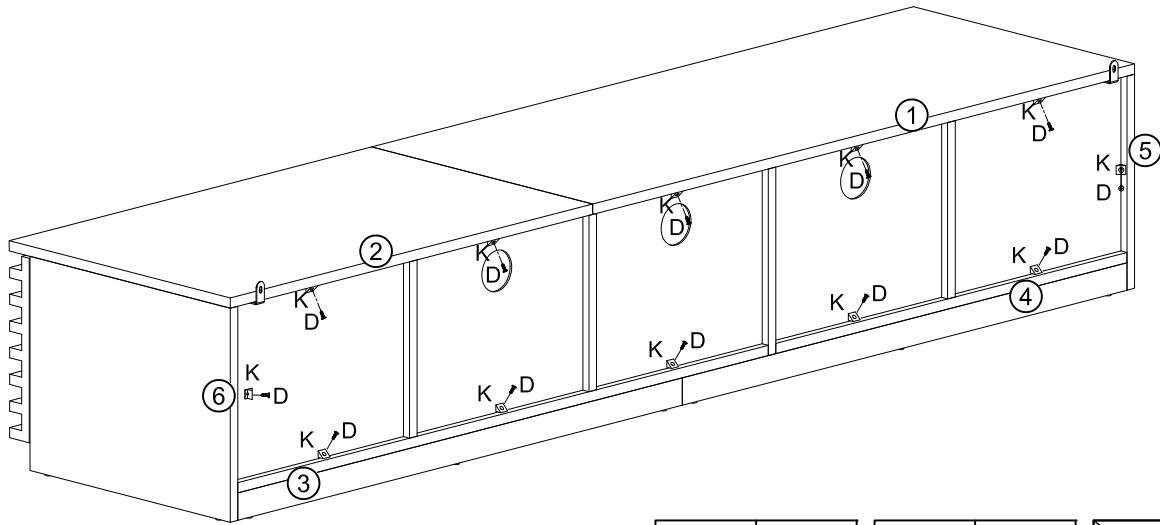
T	x1	E	x4	D	x54
T1					
T2		Φ3.5x15mm		Φ3.5x12mm	


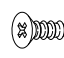
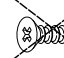
20



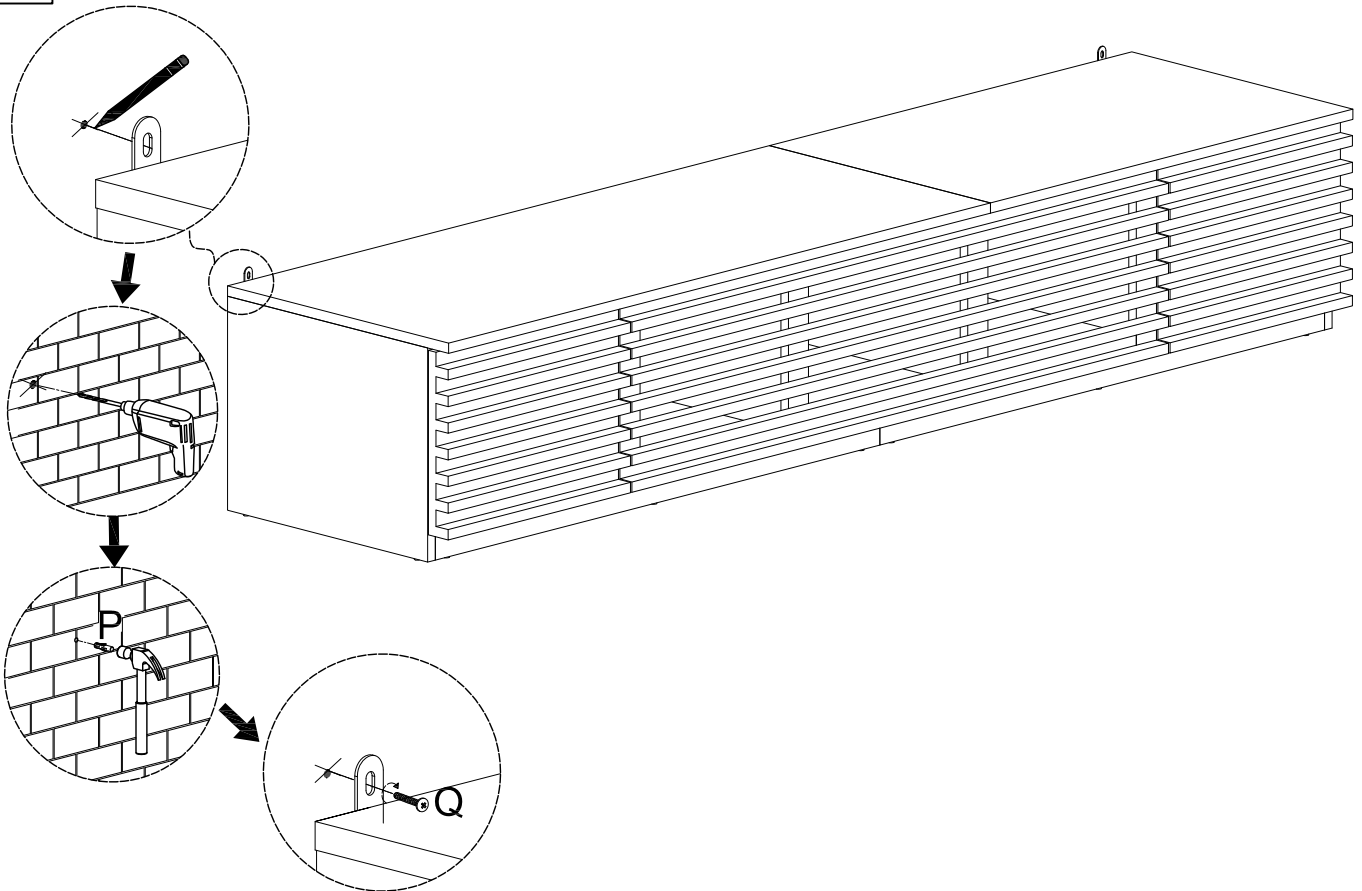
E	x4	D	x54
			
Φ3.5x15mm	Φ3.5x12mm		



21



K	x12	D	x12	E	x8
					
15x10mm		Φ3.5x12mm		Φ3.5x15mm	

22



P	x2	Q	x2
			
Φ4x45mm		Φ8x35mm	