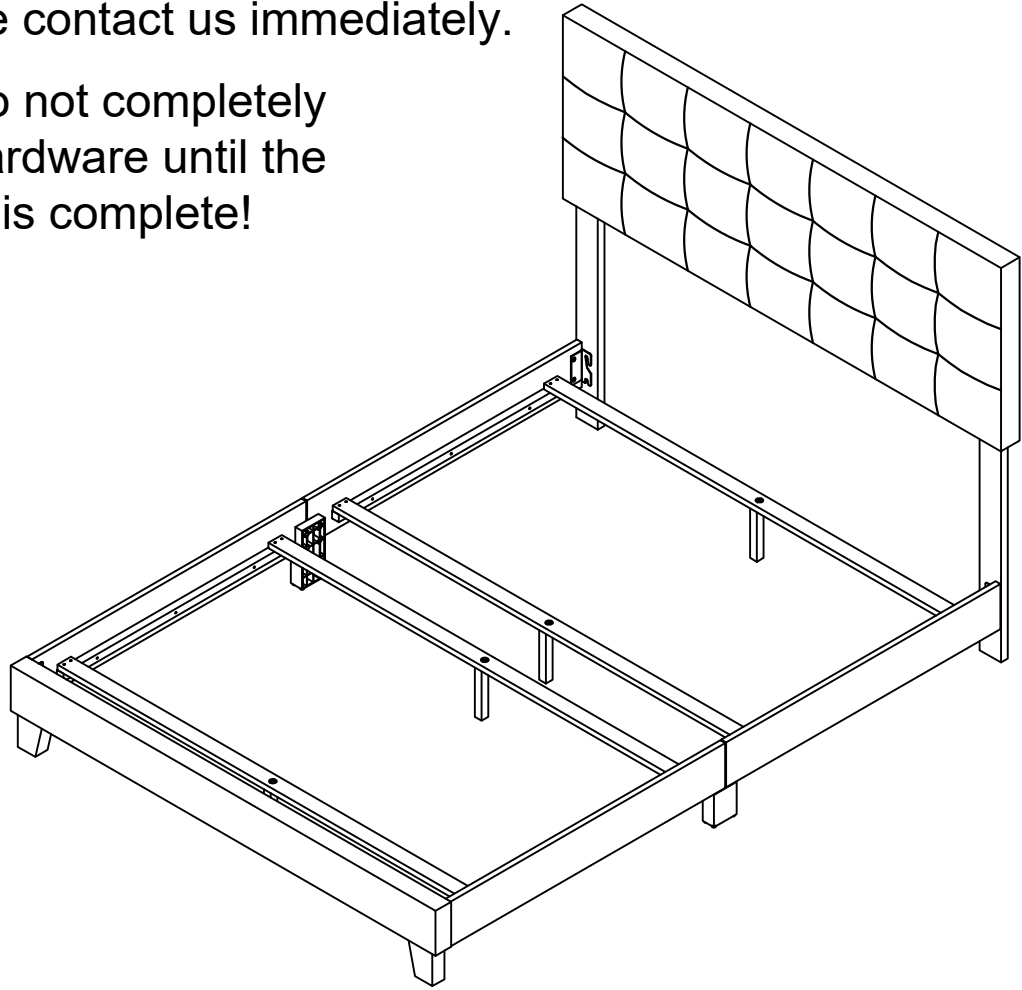


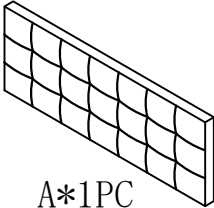
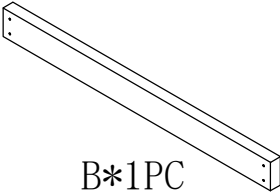
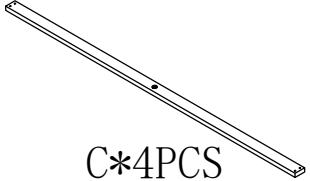
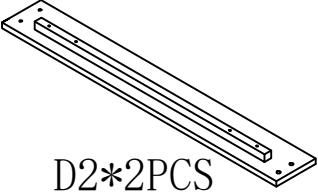
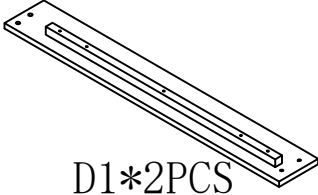
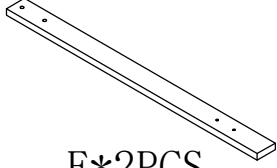
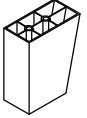
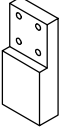



Assembly Instruction

Please check that you have all the parts listed before you start assembling,if you do find that something is missing,do not continue assembly,please contact us immediately.

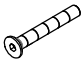





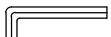
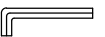
NOTE:Please do not completely tighten all the hardware until the entire assembly is complete!





Part list

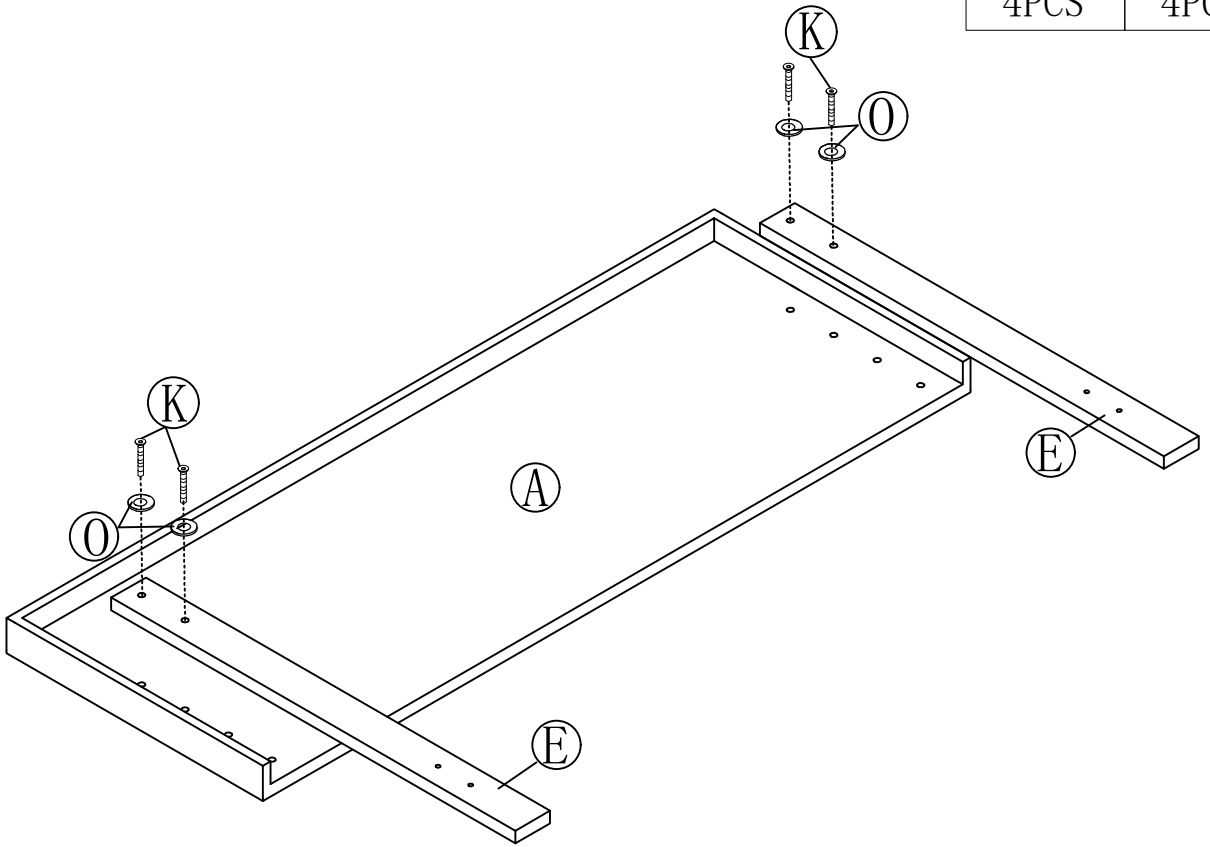
 <p>A*1PC</p>	 <p>B*1PC</p>	 <p>C*4PCS</p>	
 <p>D2*2PCS</p>	 <p>D1*2PCS</p>	 <p>E*2PCS</p>	 <p>F*2PCS</p>
 <p>G*2PCS</p>	 <p>I1*2PCS</p>	 <p>I2*2PCS</p>	 <p>H*4PCS</p>

Hardware list

 <p>M6*70mm J*4PCS</p>	 <p>M8*45mm K*12PCS</p>	 <p>M8*25mm L*12PCS</p>	 <p>M8*18mm M*8PCS</p>	 <p>M5*40mm N*16PCS</p>	 <p>∅22*∅8.5 O*12PCS</p>	 <p>M8 P*1PC</p>	 <p>M6 Q*1PC</p>
---	--	--	---	--	---	---	---

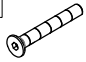
step1

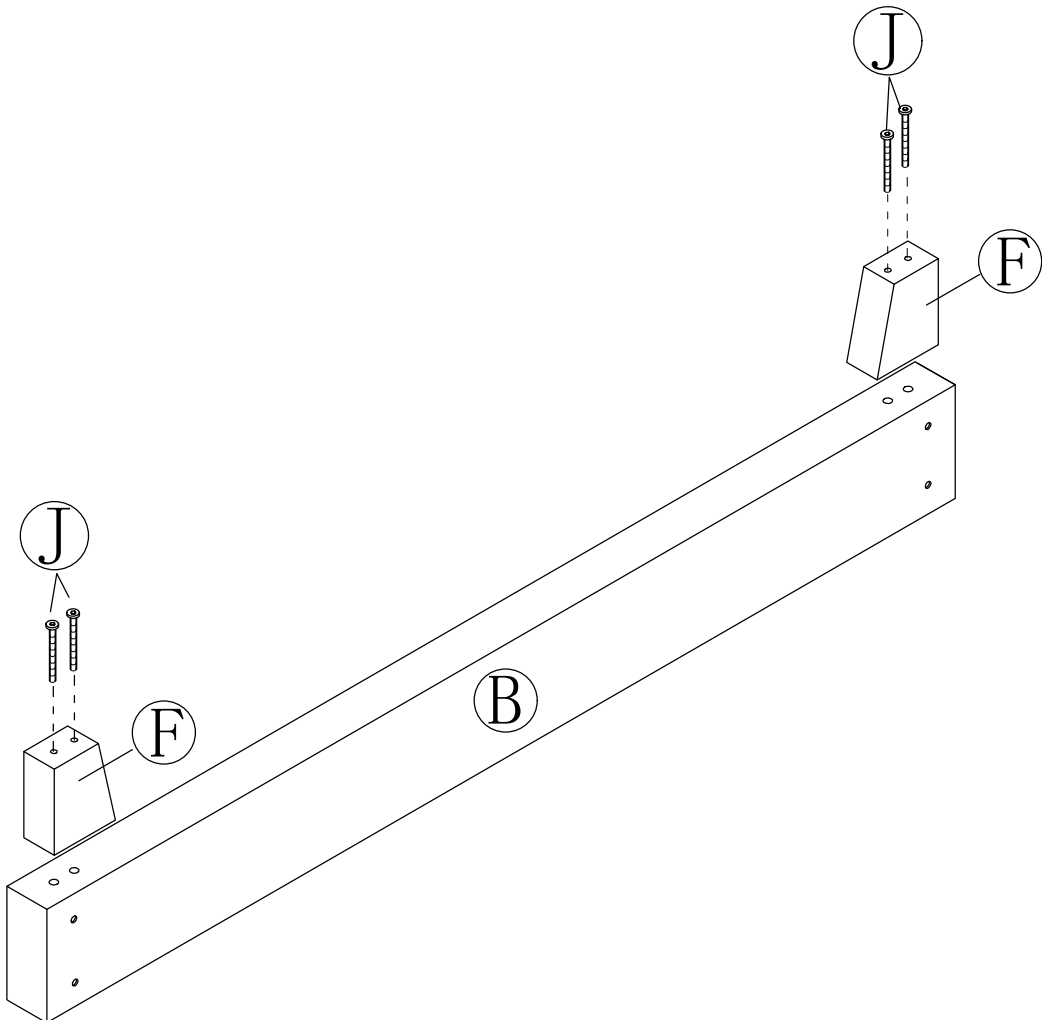
K	O
	
4PCS	4PCS






Headboard height is adjustable

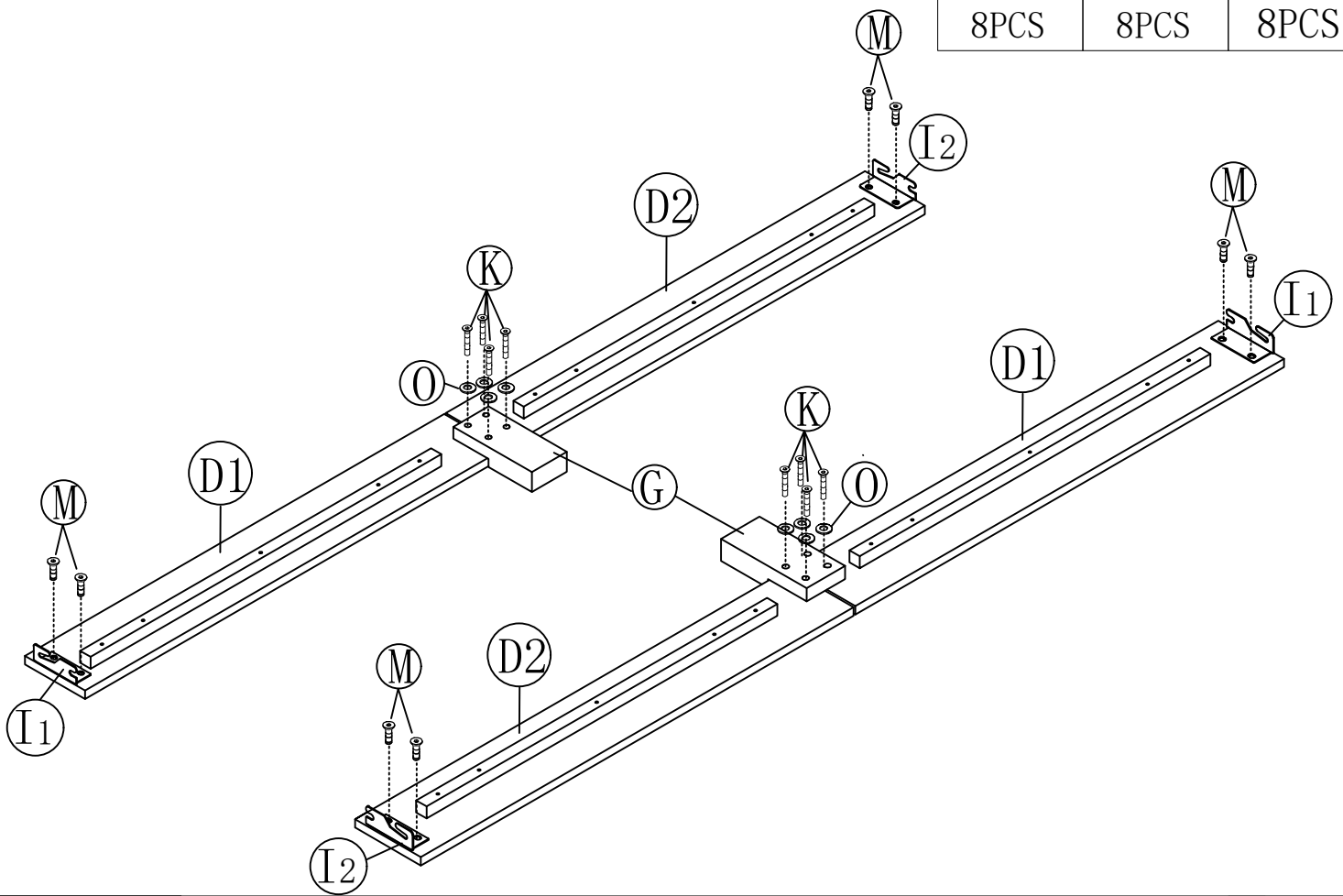
step2

J

4PCS

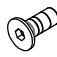


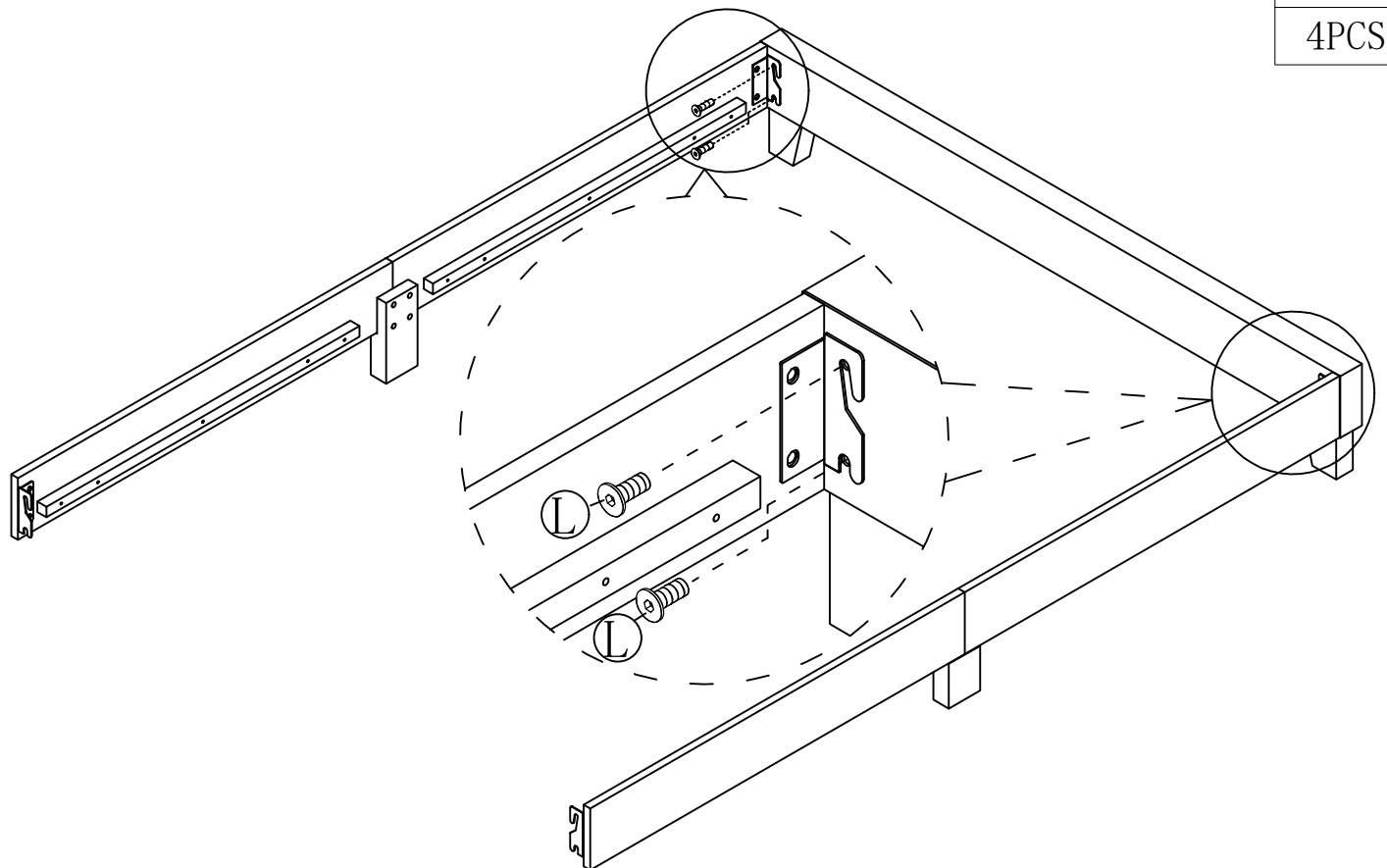
step3

K 	O 	M 
8PCS	8PCS	8PCS

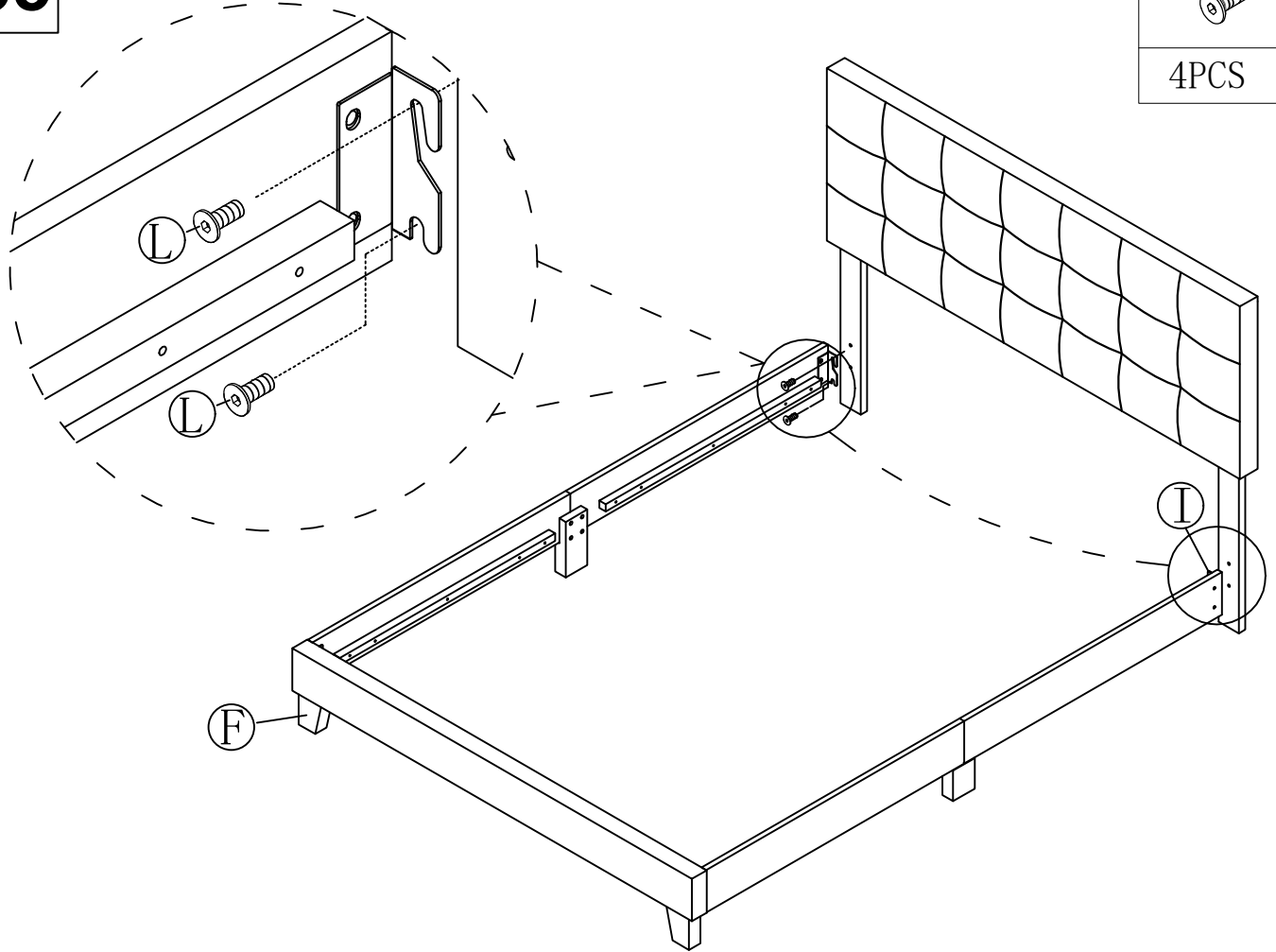


step4

L 
4PCS

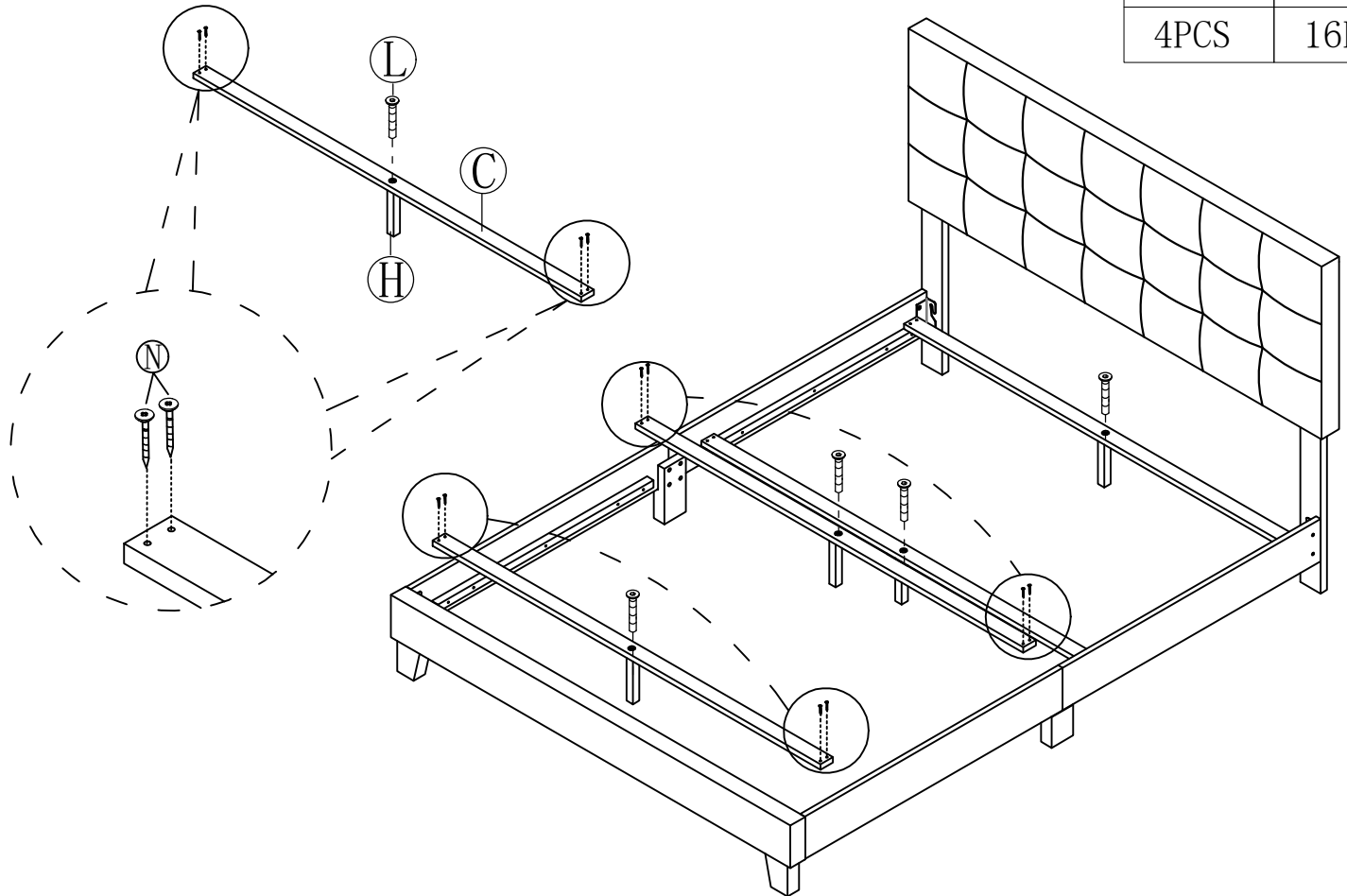


step5



L
4PCS

step6



L	N
4PCS	16PCS