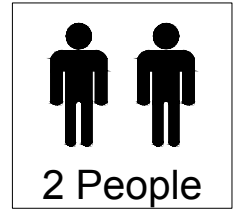
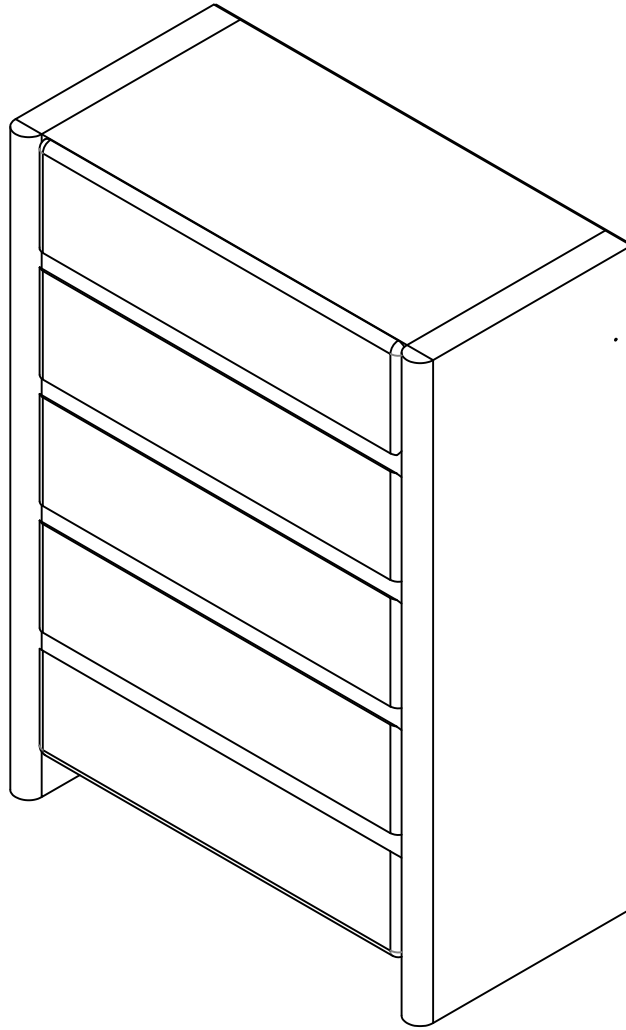
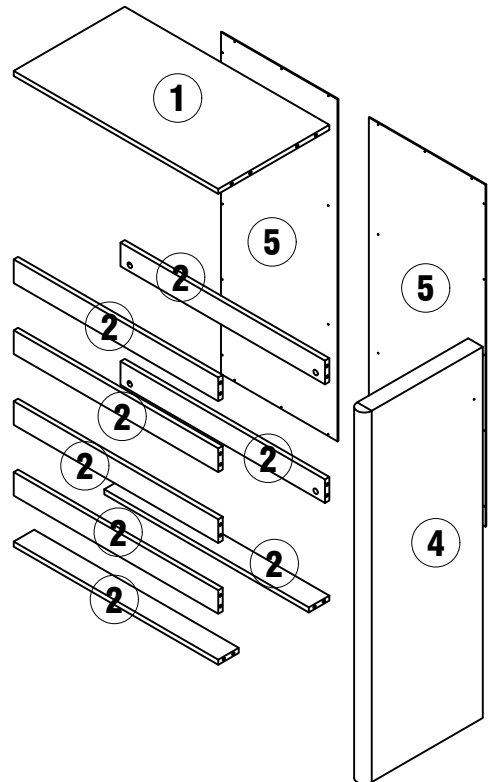
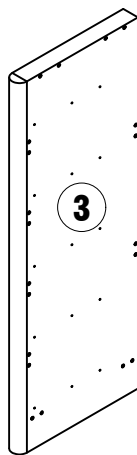
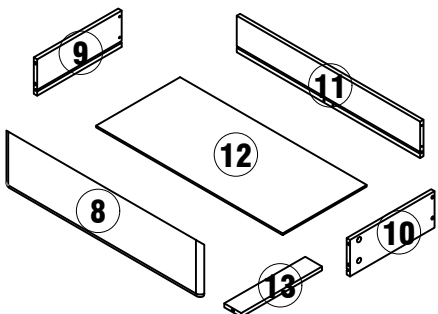
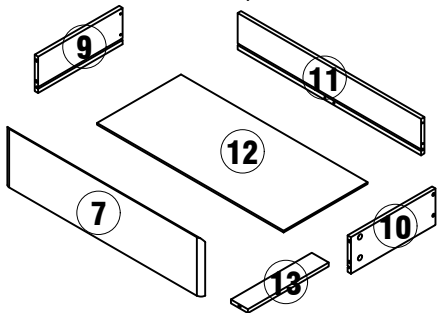
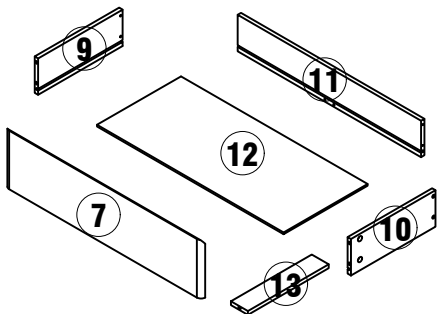
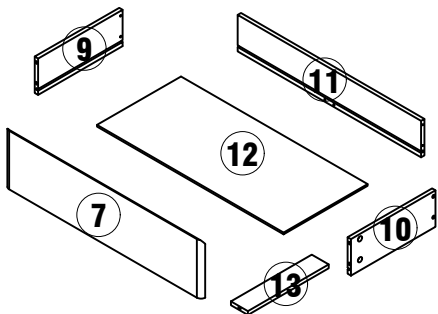
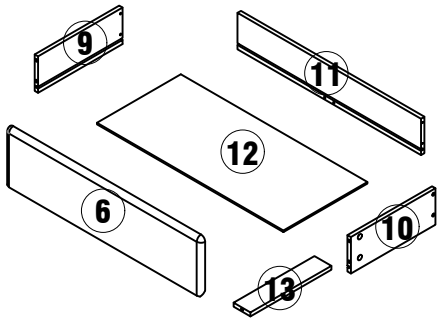


ASSEMBLY INSTRUCTIONS




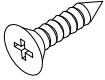
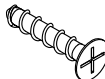
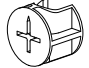
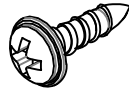

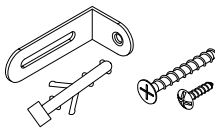
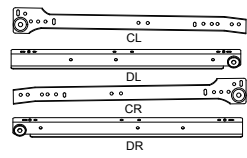
PACKAGE INCLUDE



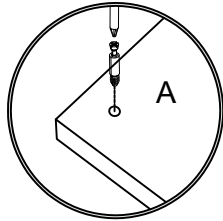
PACKAGE INCLUDE

CODE	DESCRIPTION	QTY
1	Top Panel	1
2	Hand-pulled Noodles	8
3	Left Side Panel	1
4	Right Side Panel	1
5	Backboard	2
6	Upper Pumping Panel	1
7	Middle Drawer Top Panel	3
8	Lower Drawer Top Panel	1
9	Drawer Left Side Panel	5
10	Drawer Right Side Panel	5
11	Drawer Back Panel	5
12	Drawer Bottom Panel	5
13	Drawer Bottom Strip	5

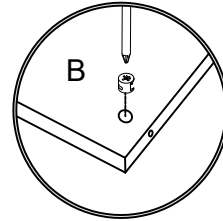
PACKAGE CONTENT

<p>Ø8X30MM</p>  <p>A 20X+1</p>	<p>Ø3X11MM</p>  <p>B 60X+2</p>	<p>Ø4X35MM</p>  <p>C 30X+1</p>	<p>Ø15X10MM</p>  <p>D 45X+2</p>
<p>Ø3.5X12MM</p>  <p>F 26X+1</p>	 <p>G 45X+2</p>	 <p>H 2X</p>	 <p>K 5X</p>

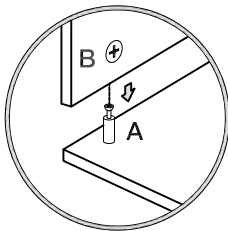
How to use the cam lock system



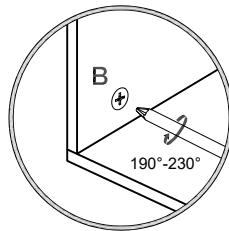
1. Screw cam bolt into panel



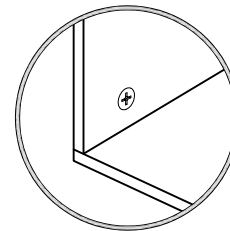
2. Push cam into panel - arrow feature on cam top points to panel edge



3. Align cam bolt(s) with cam(s) and insert all the way into cross-bored hole(s)

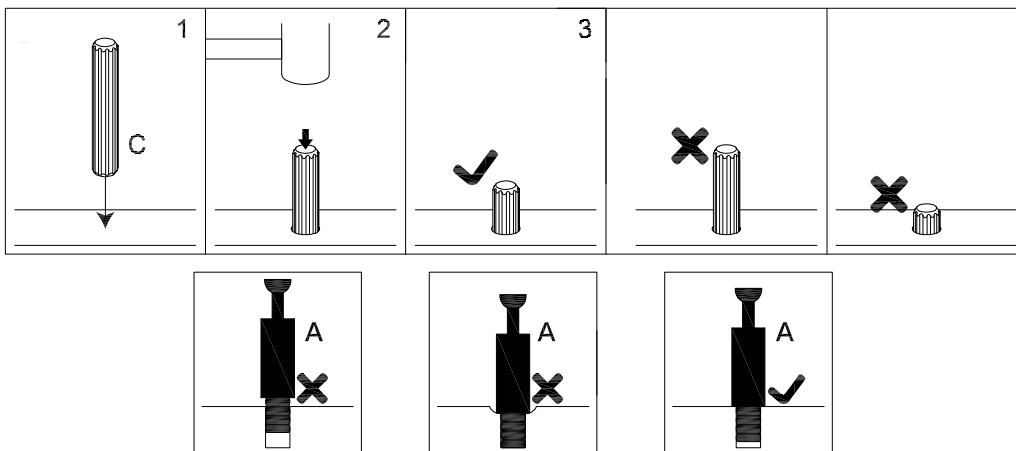


4. Rotate cam(s) clockwise 190°-230° to lock panels together



5. Panels should be tight against each other and connection should be rigid

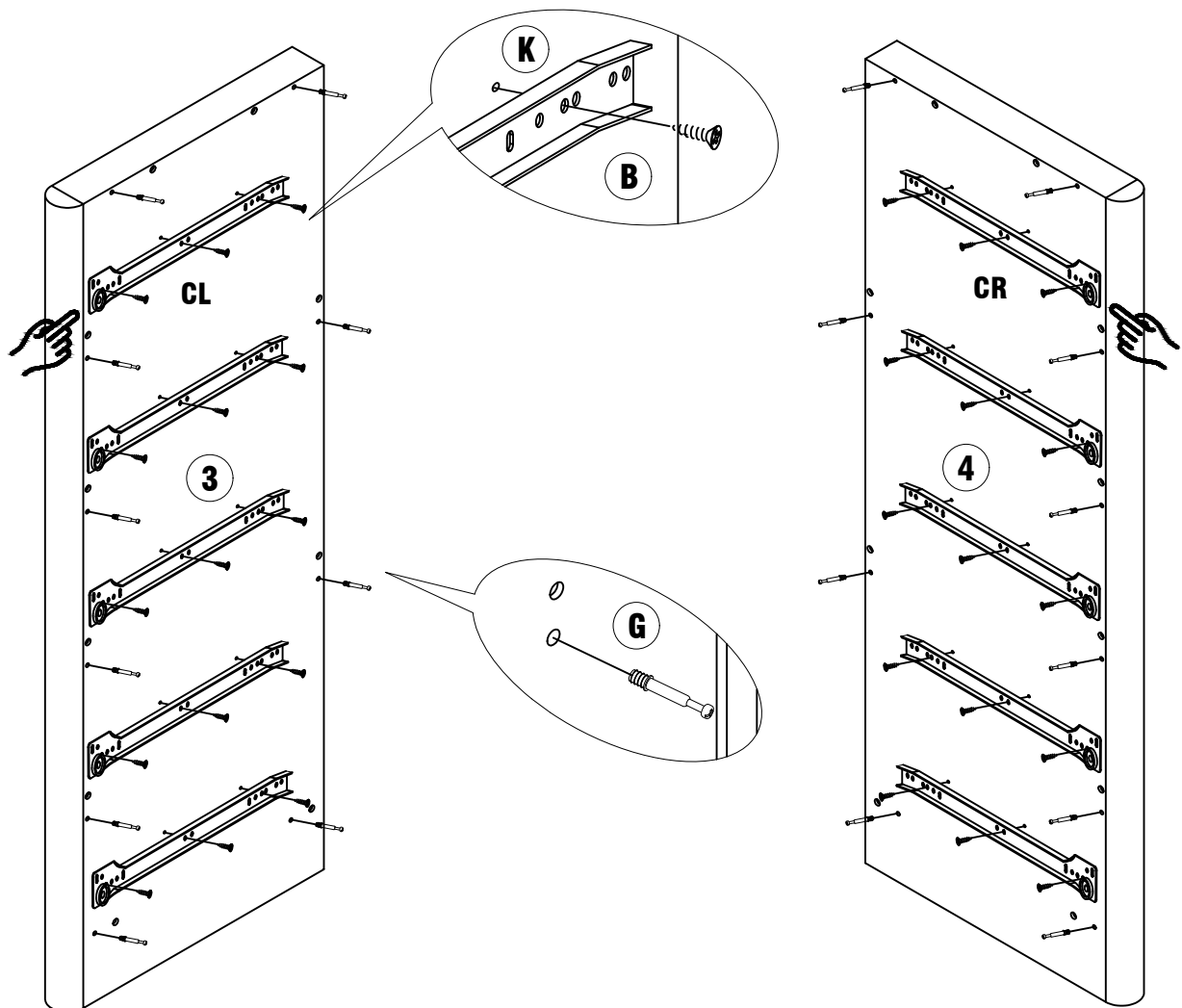
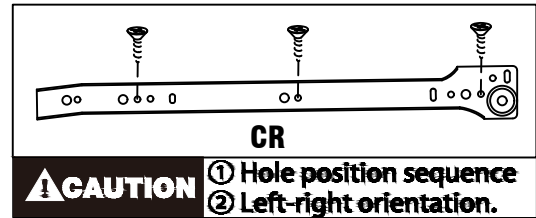
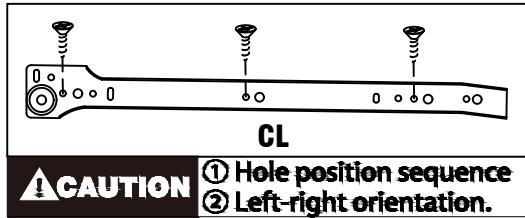
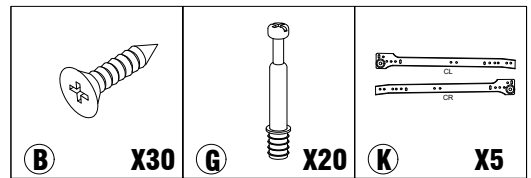
Insert the wood dowel [C] at least half way by tapping lightly with a rubber mallet, IF NECESSARY.



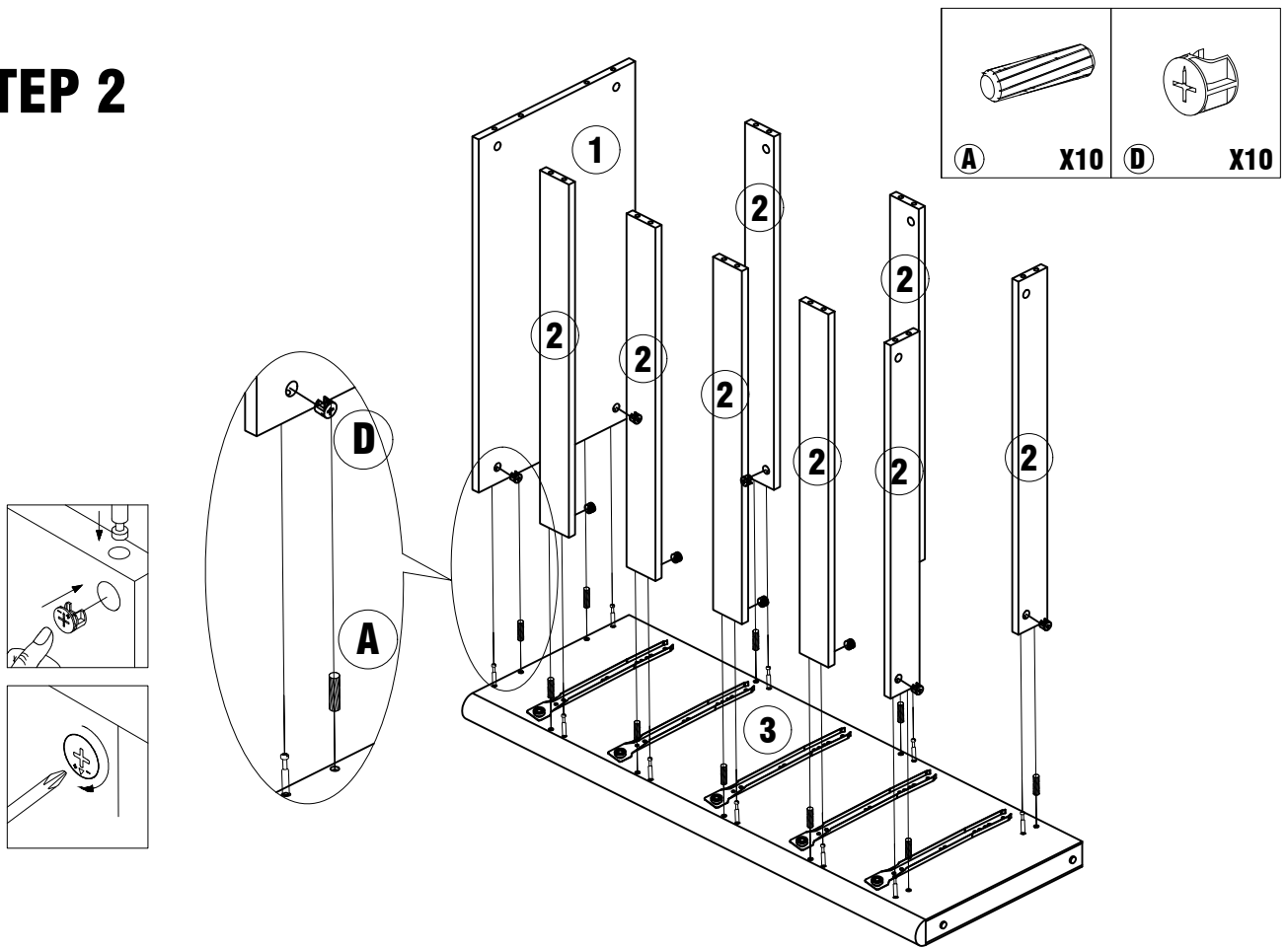
⚠ WARNING

- Unit must be placed on a level surface or leveled with included hardware (when applicable).
- Do not sit or stand on or allow children to climb, sit or stand on the assembled product.
- For safety reasons, it is imperative that this unit be mounted to the wall.
- Do not use without installing the tip restraint.
- Unit can tip over causing severe injury or death.
- Do not exceed the recommended weight limits.
- Evenly distribute the weight on each level and always keep the heavier loads on the bottom.
- Before cutting, drilling or hammering into any wall or floor surface, verify the location of electrical, plumbing and gas lines. Cutting may cause serious injury.

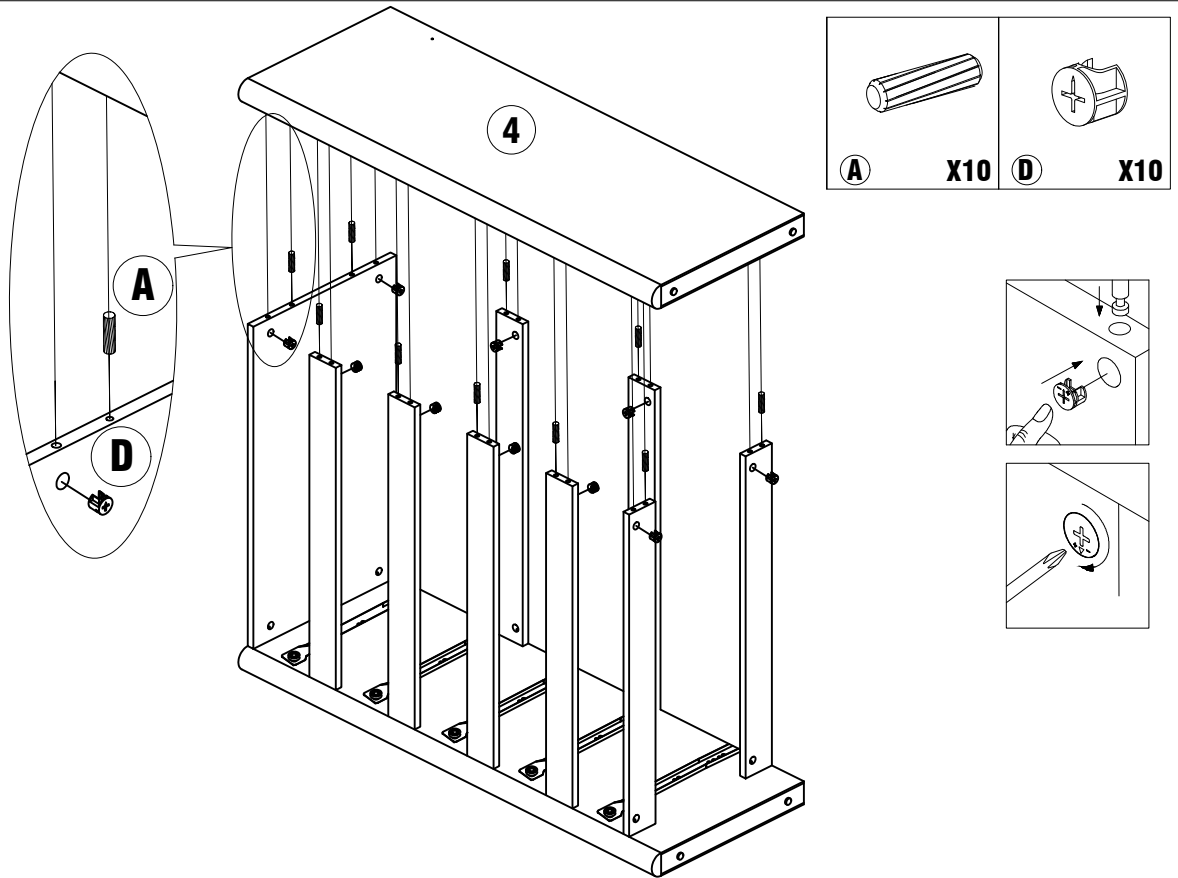
STEP 1



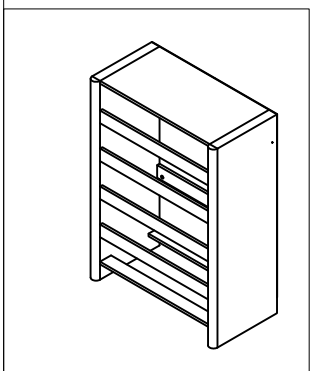
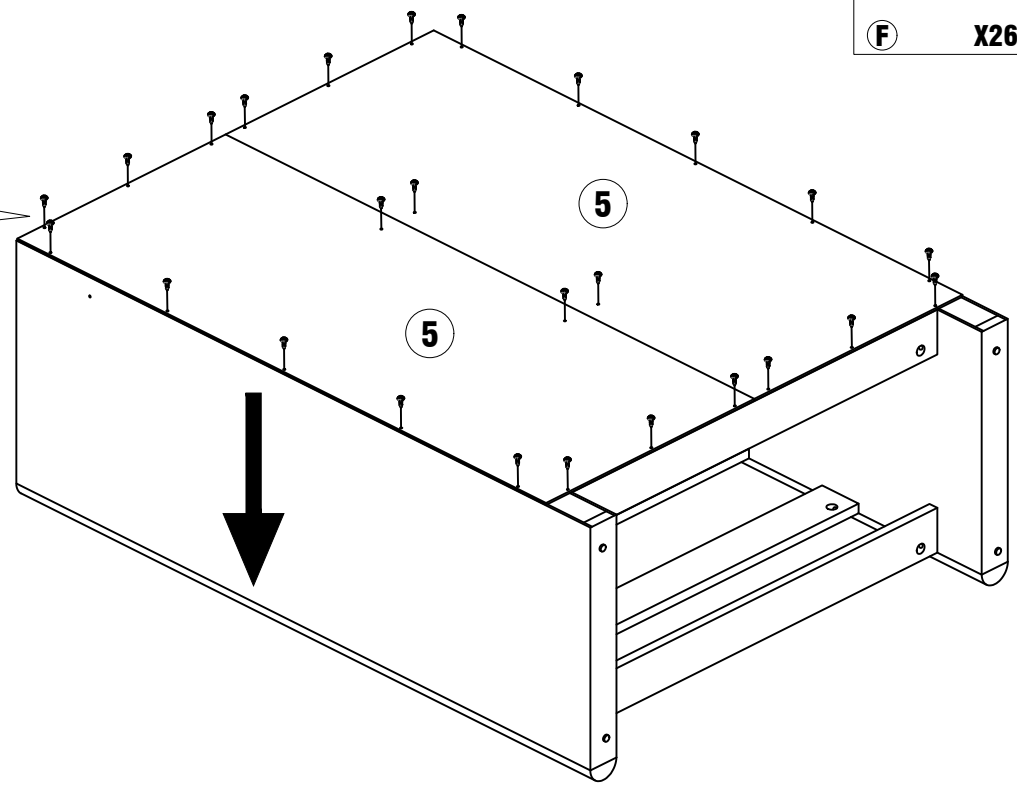
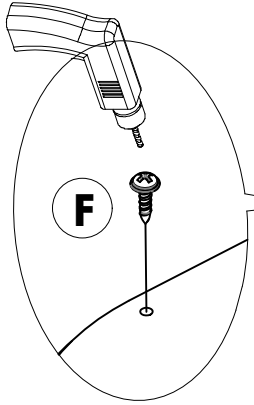
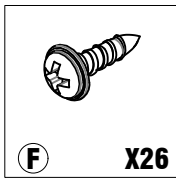
STEP 2



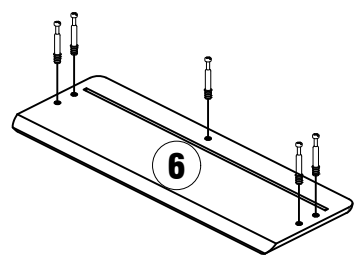
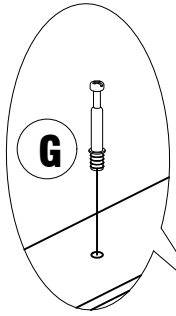
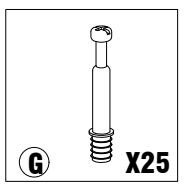
STEP 3



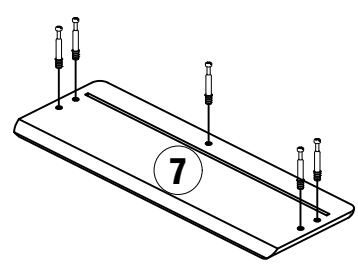
STEP 4



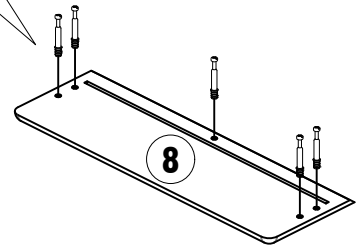
STEP 5



X1

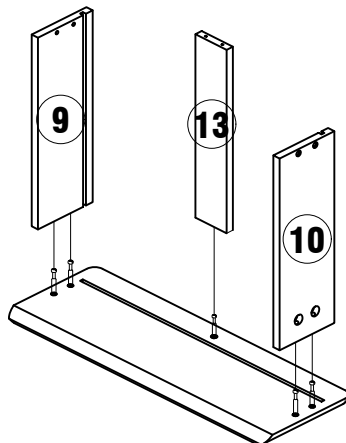


X3



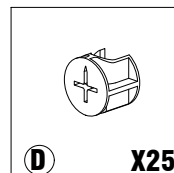
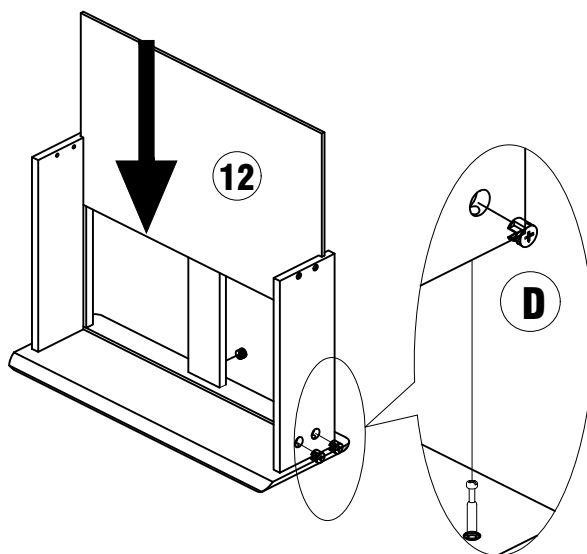
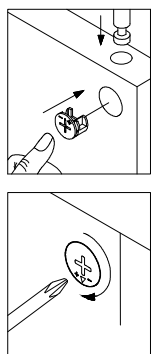
X1

STEP 6



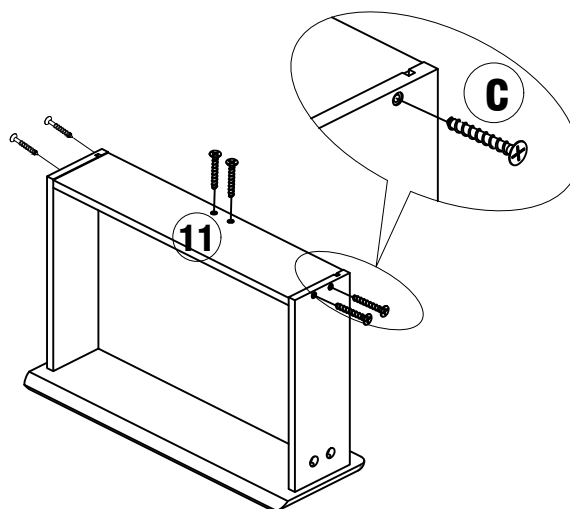
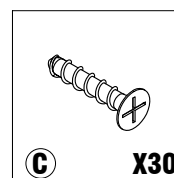
X5

STEP 7



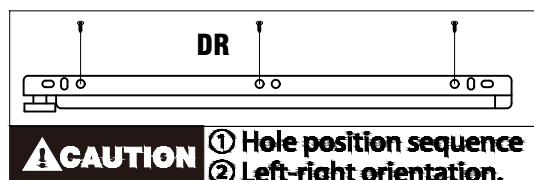
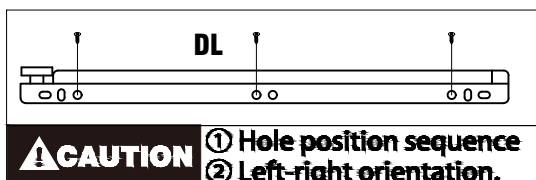
X5

STEP 8

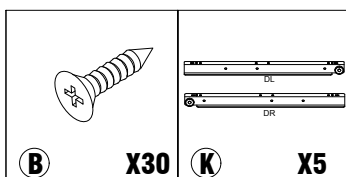
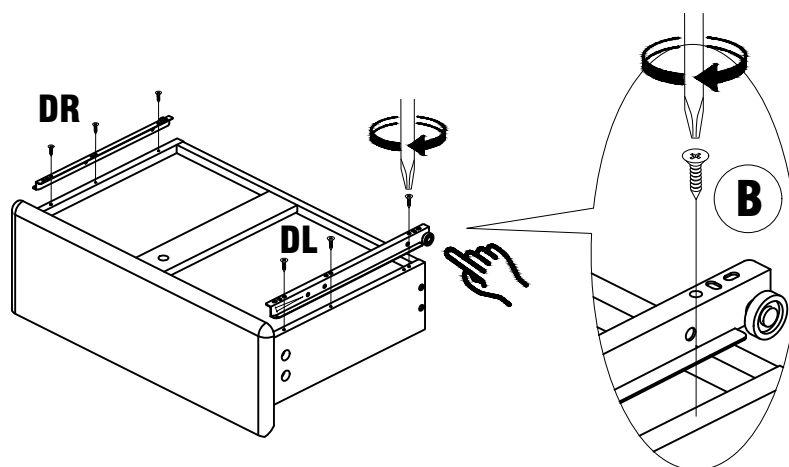


X5

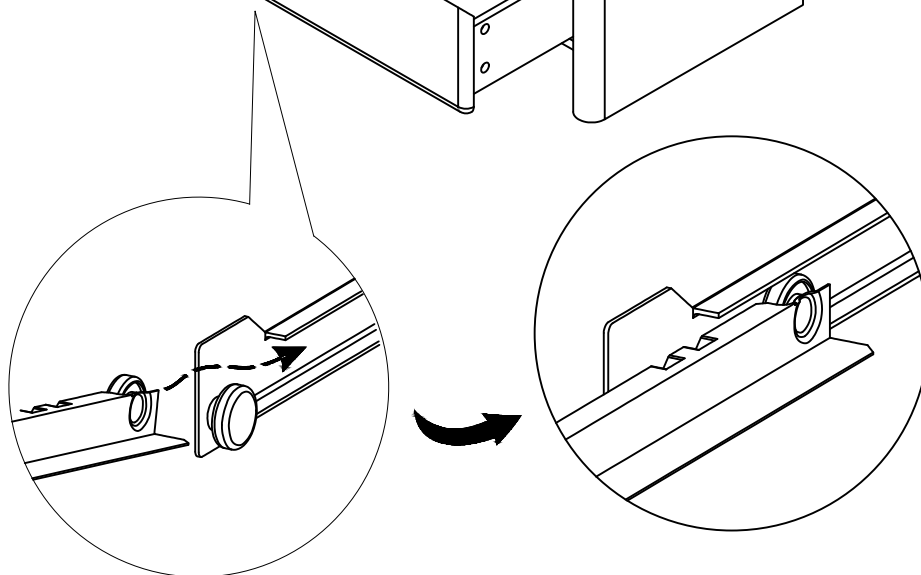
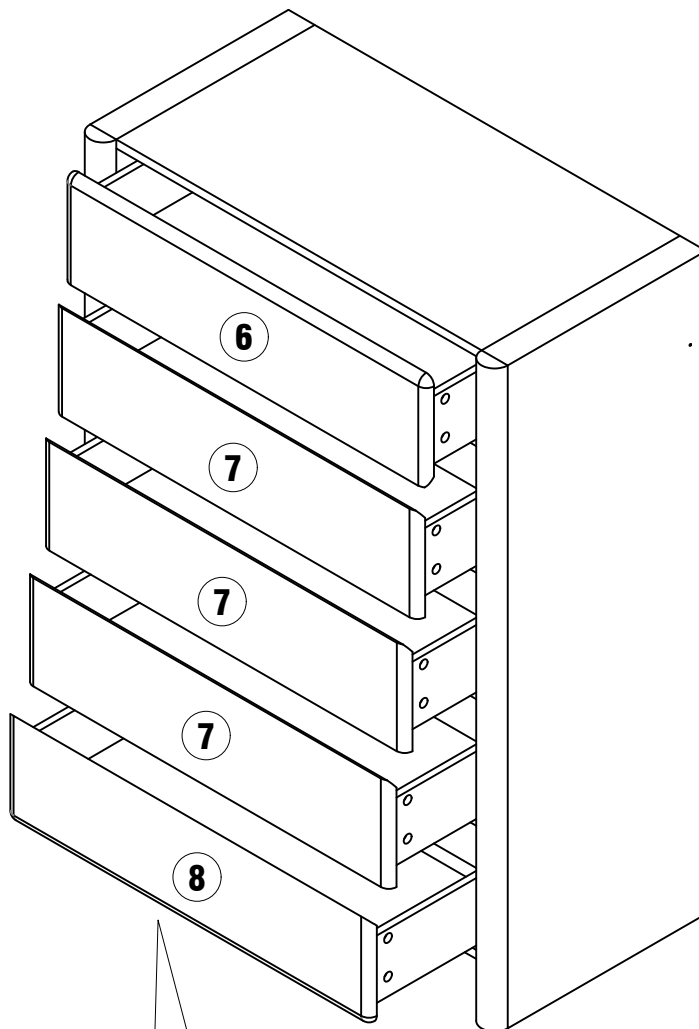
STEP 9



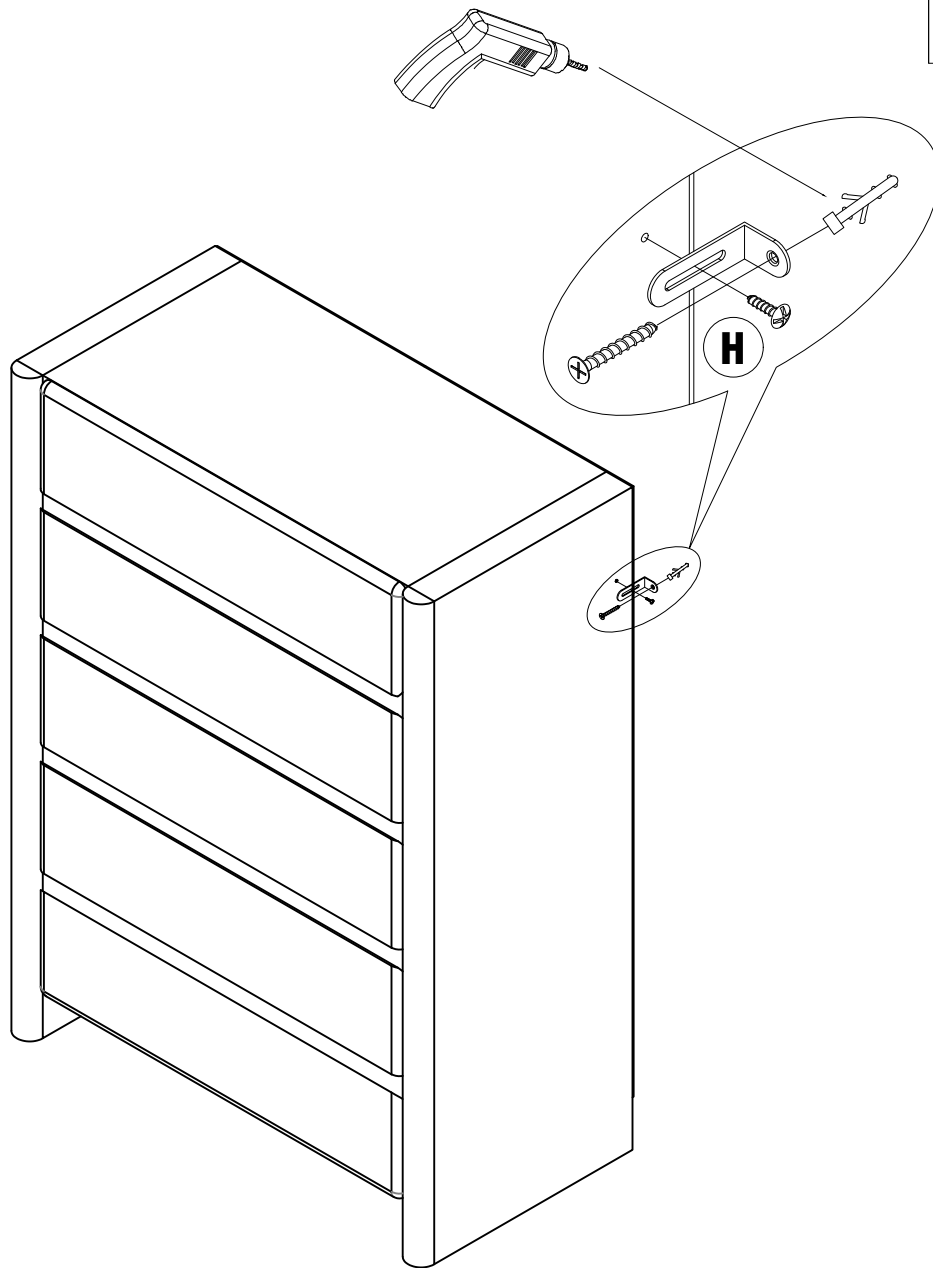
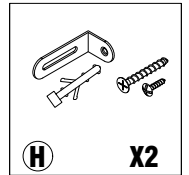
X5



STEP 10



STEP 11



WARNING



Children have died from furniture tipover. To reduce the risk of furniture tipover:

- ALWAYS install anti-tip device provided.
- NEVER put a TV on this product.
- NEVER allow children to stand, climb or hang on any drawers, doors, or shelves.
- NEVER open more than one drawer at a time.
- Place heaviest items in the lowest drawers.



*this is a permanent label.
Do not remove!*