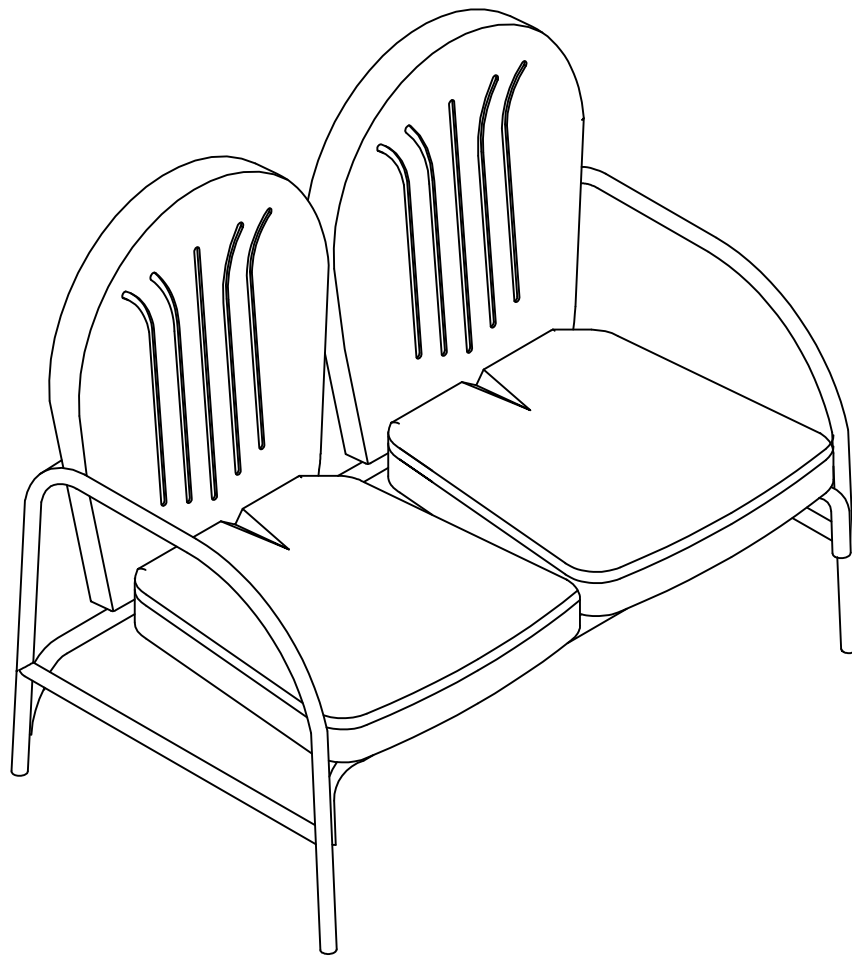


RETRO METAL LOVESEAT

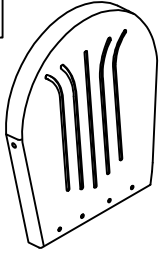
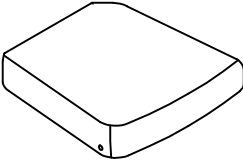
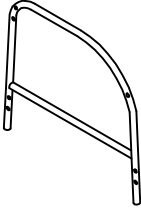
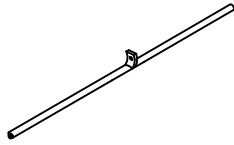
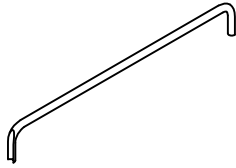


Congratulations! You have purchased a stylish piece.
We strived to provide fine furniture products, built with quality materials and hand finished details. Please carefully follow the assembly instructions to ensure your furniture is assembled correctly to provide long lasting enjoyment.

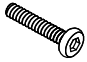


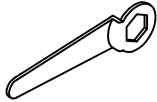
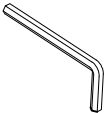
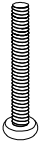

Should you experience any missing or damaged parts, **do not return to the store.** please contact us.

Care: Use a soft, clean cloth that will not scratch the surface when cleaning. The use of solvents is not necessary. Should you choose to use solvents, test in an inconspicuous area first to avoid damaging the finish. TO clean, simply use a soft, clean cloth lightly dampened with water.

PART LIST

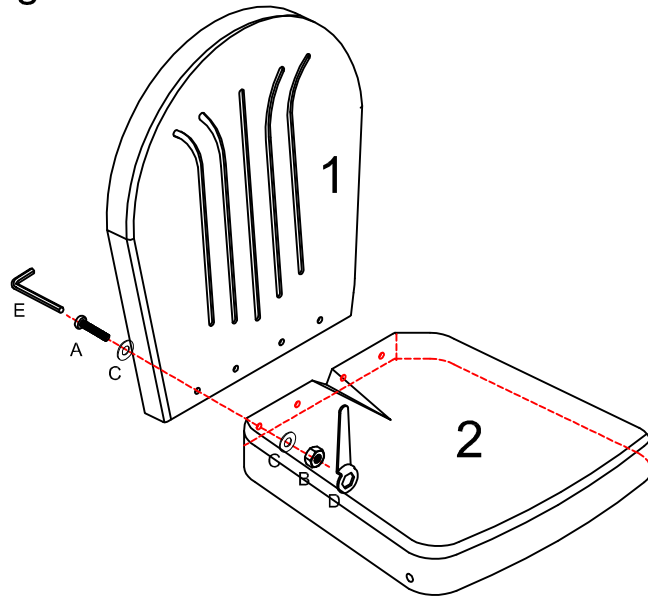
<div data-bbox="33 150 97 210" style="border: 1px solid black; padding: 2px; text-align: center;">1</div> 	<div data-bbox="327 150 391 210" style="border: 1px solid black; padding: 2px; text-align: center;">2</div> 	<div data-bbox="622 150 686 210" style="border: 1px solid black; padding: 2px; text-align: center;">3</div> 	<div data-bbox="917 150 981 210" style="border: 1px solid black; padding: 2px; text-align: center;">4</div> 	<div data-bbox="1212 150 1276 210" style="border: 1px solid black; padding: 2px; text-align: center;">5</div> 
<p style="text-align: center;">Chair Backs</p> <p style="text-align: center;">2 PCS</p>	<p style="text-align: center;">Chair Seats</p> <p style="text-align: center;">2 PCS</p>	<p style="text-align: center;">Arms</p> <p style="text-align: center;">2 PCS</p>	<p style="text-align: center;">Upper Crossbar</p> <p style="text-align: center;">1 PC</p>	<p style="text-align: center;">Lower Crossbars</p> <p style="text-align: center;">2 PCS</p>






HARDWARE LIST

<div data-bbox="33 826 113 902" style="border: 1px solid black; padding: 2px; text-align: center;">A</div> 	<div data-bbox="400 826 480 902" style="border: 1px solid black; padding: 2px; text-align: center;">B</div> 	<div data-bbox="767 826 847 902" style="border: 1px solid black; padding: 2px; text-align: center;">C</div> 	<div data-bbox="1134 826 1214 902" style="border: 1px solid black; padding: 2px; text-align: center;">D</div> 
<p style="text-align: center;">Short Bolts(M6x13mm)</p> <p style="text-align: center;">10 PCS</p>	<p style="text-align: center;">Nuts</p> <p style="text-align: center;">22 PCS</p>	<p style="text-align: center;">Flat Washers</p> <p style="text-align: center;">46 PCS</p>	<p style="text-align: center;">Wrench</p> <p style="text-align: center;">1 PC</p>
<div data-bbox="33 1160 113 1236" style="border: 1px solid black; padding: 2px; text-align: center;">E</div> 	<div data-bbox="400 1160 480 1236" style="border: 1px solid black; padding: 2px; text-align: center;">F</div> 	<div data-bbox="767 1160 847 1236" style="border: 1px solid black; padding: 2px; text-align: center;">G</div> 	
<p style="text-align: center;">Allen Wrench</p> <p style="text-align: center;">1 PC</p>	<p style="text-align: center;">Long Bolts(M6x40mm)</p> <p style="text-align: center;">14 PCS</p>	<p style="text-align: center;">Plastic Washers</p> <p style="text-align: center;">4 PCS</p>	

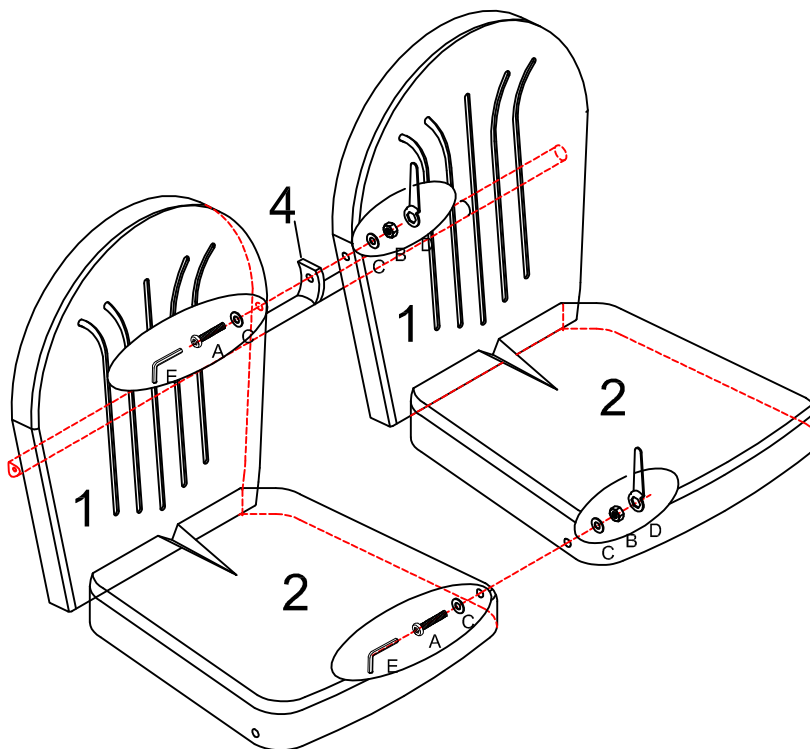
IMPORTANT NOTE: WE RECOMMEND TWO PEOPLE WORK TOGETHER TO ASSEMBLE THE CHAIR





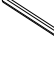
STEP 1 Attach the Seat (2) and Back (1) using 4 Short Bolts (A), 8 Flat Washers (C) and 4 Nuts (B). Do not *fully* tighten until after you have completed the entire assembly process. Repeat for remaining seat and back.



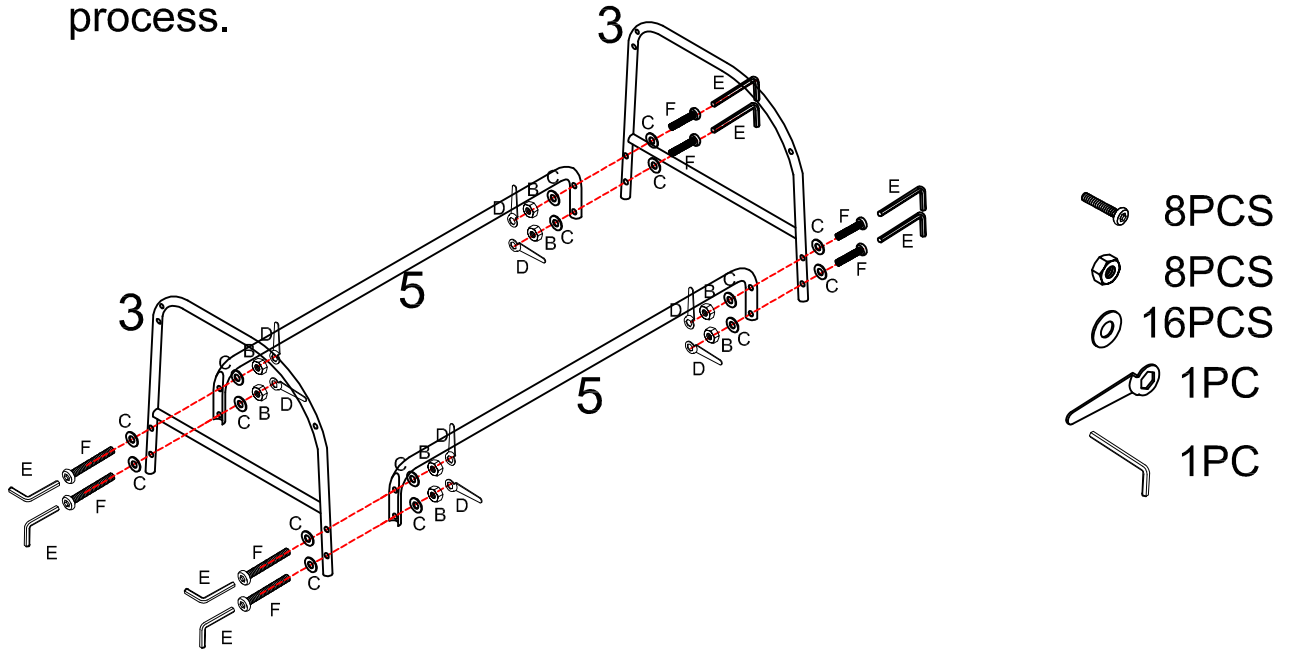
-  8PCS
-  8PCS
-  16PCS
-  1PC
-  1PC

STEP 2 Join the two backs (1) by attaching them to the Upper Crossbar (4) by using 1 Short Bolt (A), 2 Flat Washers (C) and 1 Nut (B). Join the two seats (2) by using 1 Short Bolt (A), 2 Flat Washers (C) and 1 Nuts (B). Do not *fully* tighten until after you have completed the entire assembly.



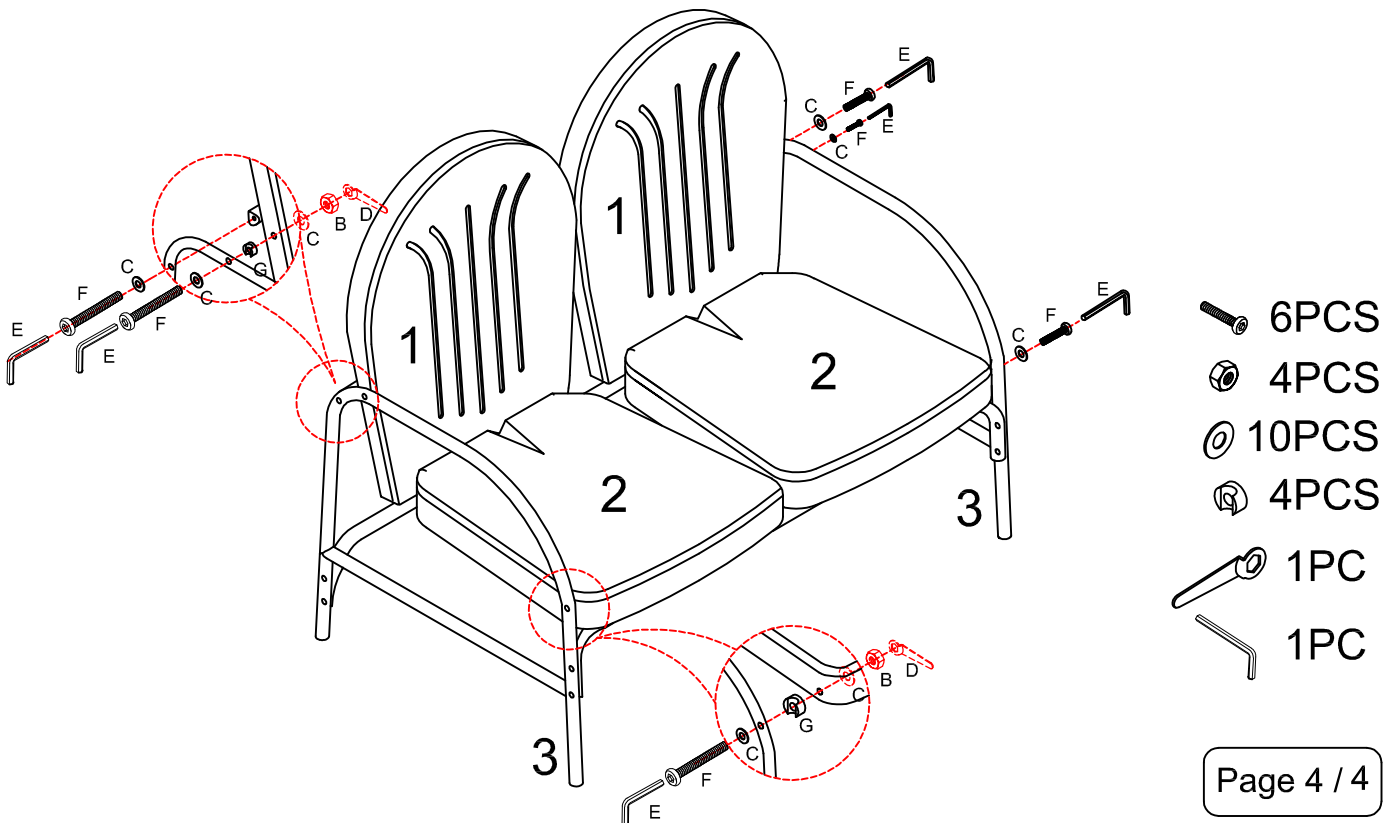
-  2PCS
-  2PCS
-  4PCS
-  1PC
-  1PC

STEP 3 Attach the 2 Arms (3) to the 2 Lower Crossbars (5) using 8 Long Bolts (F), 16 Flat Washers (C) and 8 Nuts (B). Do not *fully* tighten until after you have completed the entire assembly process.



STEP 4 Attach Upper Back Crossbar (4) to Arms (3) using 2 Long Bolts (F), 2 Flat Washers (C). Attach Chair Backs (1) and Seats (2) to Arms (3) using 4 Long Bolts (F), 8 Flat Washers (C), 4 Plastic Washers (G) and 4 Nuts (B). Do not *fully* tighten until after you have completed the entire assembly process.

Once assembly has been completed, tighten all Nuts using the Wrench (D) to hold the Nuts (B) and tighten with the Allen Wrench (E) to firmly secure the loveseat.



Limited Manufacturers Warranty

Our products are warranted against defects in material and workmanship for a period of 90 days beginning from the date of sale. Should any parts be missing or defective, we will replace or repair the parts for a period of 90 days from the date of purchase.

Should you experience any missing or damaged parts, do not return to the store. Please contact us.