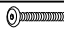




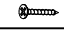



## Assembly Instruction for COUNTER WOODEN SLAT BACK SIDE CHAIR

**Caution:** Please read instructions thoroughly before unpacking assembly parts. Sharp, exposed staple tips can cause injury, therefore, for your protection, please remove any exposed staples used in packing.

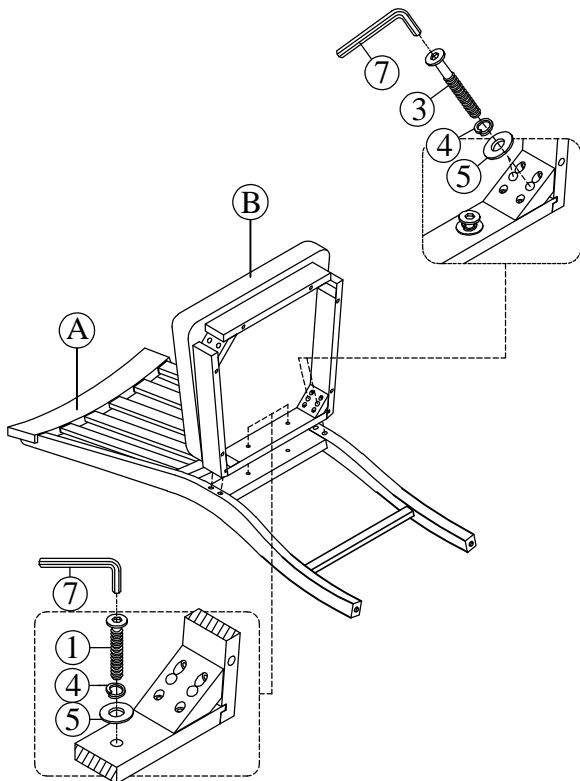
1. We recommend that you should assemble this product with the assistance of another person; this will make assembly easier, and will help to eliminate damage to the product or injury to persons during assembly.
2. Be sure to check all packing materials carefully for small parts that may have come loose inside the carton during shipment.
3. Please do not over tighten screws or bolts.
4. Please put all parts on a non-abrasive floor before assembly, and follow the assembly steps to assemble your newly purchased product correctly and efficiently.

PART LIST FOR PARSON CHAIR			
No.	PART DESC	CODE.	Q'TY
A	Counter side chair charcoal back frame		1
B	Counter side chair charcoal seat frame with cushion		1
C	Counter side chair charcoal left/right front leg set		2
D	Counter side chair charcoal left/right side stretcher set		2
E	Counter side chair charcoal front stretcher		1

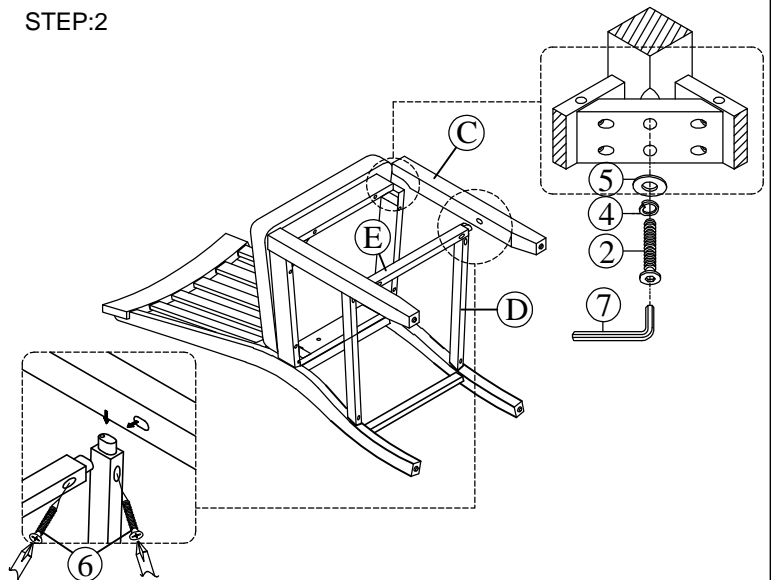
HARDWARE LIST PACKED INSIDE BOX			
No.	HARDWARE DESC	CODE.	Q'TY
1	 ALLEN BOLT (Ø1/4**1-5/8")		2
2	 ALLEN BOLT (Ø1/4**2-3/8")		4
3	 ALLEN BOLT (Ø1/4**3")		4
4	 SPRING WASHER (Ø1/4")		10
5	 FLAT WASHER (Ø1/4")		10
6	 SCREWS (#4*1-1/2")		6
7	 ALLEN KEY (Ø1/8")		1

**⚠** Only tighten all bolts when all bolts aligned with bolt inserts.

### STEP:1



### STEP:2



### COMPLETED

