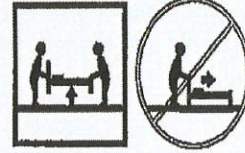
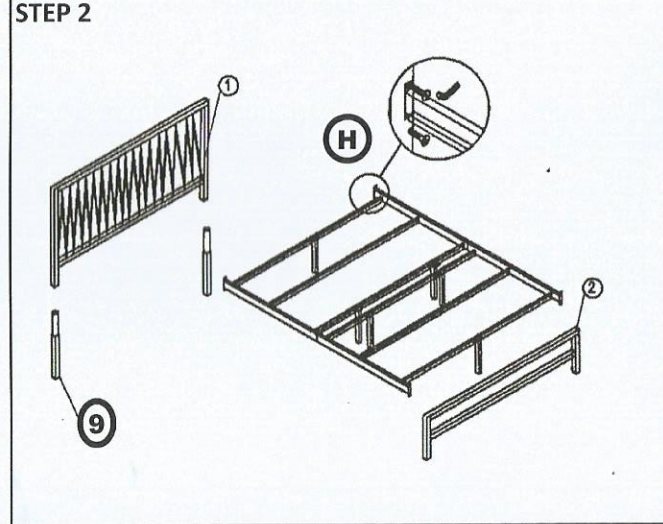
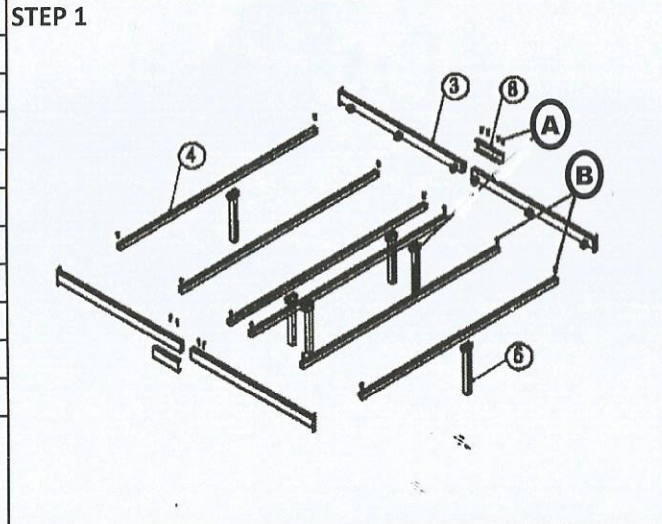


DESCRIPTION: DOUBLE BED

ASSEMBLY INSTRUCTION



PART LIST		
NO	DESCRIPTION	QTY
1	HEADBOARD	1 PCS
2	FOOTBOARD	1 PCS
3	SIDE RAIL	4 PCS
4	END BAR	6 PCS
5	SUPPORT LEG	6 PCS
6	BENDWOOD SLAT	18 PCS
7	END CAP	36 PCS
8	SIDE RAIL JOINTING	2 PCS
9	HEADBOARD JOIN	2 PCS



PART LIST		
NO	DESCRIPTION	QTY
A	JCBC (M6 X 20)	20 PCS
B	JCBC (M6 X 35)	24 PCS
C	M6 WASHER	12 PCS
D	M6 HEXNUT	12 PCS
E	M4 ALLENKEY	1 PC
F	M10 WRENCH	1 PC
G	25 MM SQUARE CAP	4 PCS
H	JCBC (M6 X 40)	2 PCS

