

# **INSTALLATION**

## *Product Manual*

Version: 460034-01-24A-PF



### **IMPORTANT INFORMATION!**

please read the entire manual before starting to assemble and/or using this product. follow the manual thoroughly and keep it for further reference.



### **AVOID SCRATCHES!**

In order to avoid scratching this furniture should be assembled on a soft layer- could be a rug.



### **IMPROVE EFFICIENCY !**

Try to find a partner to install with you, which can speed up the installation efficiency and shorten the time.



### **ANTI-TOPPLE WARNING !**

Overturnd furniture can cause serious or fatal crush injuries. To prevent tipping over, be sure to use the wall attachment, if not included with this product. Please purchase the wall attachment that fit your wall. If unsure, seek professional advice. Please read and follow each step of the instructions carefully.

### **IMPORTANT !**

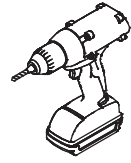
It is important that any product which is assembled using any kind of screw is re-tightened 2 weeks after assembly, and once every 3 months - in order to assure stability through-out the lifespan of the product.

For regular maintenance and cleaning of the product, for the frame, please use a rag dipped in neutral detergent to fully wipe it, and then dry it with a clean rag. For glass materials, wipe with a rag dampened with water glass cleaner, and then dry with a dry rag.

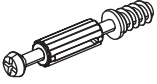

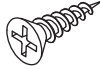

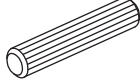
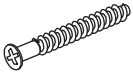



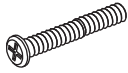


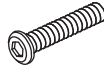
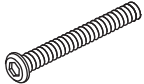
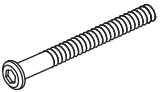




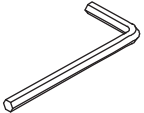
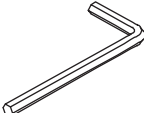

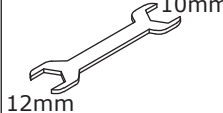
Do not use an electric screwdriver, and do not use too much force when installing, because the board is easy to break.

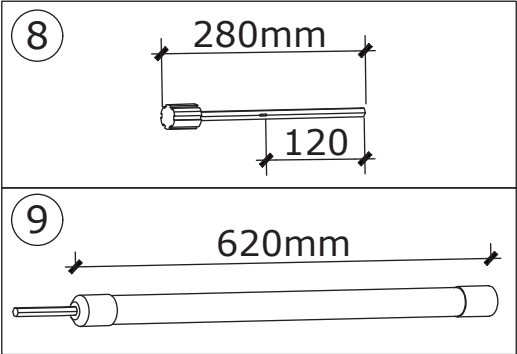
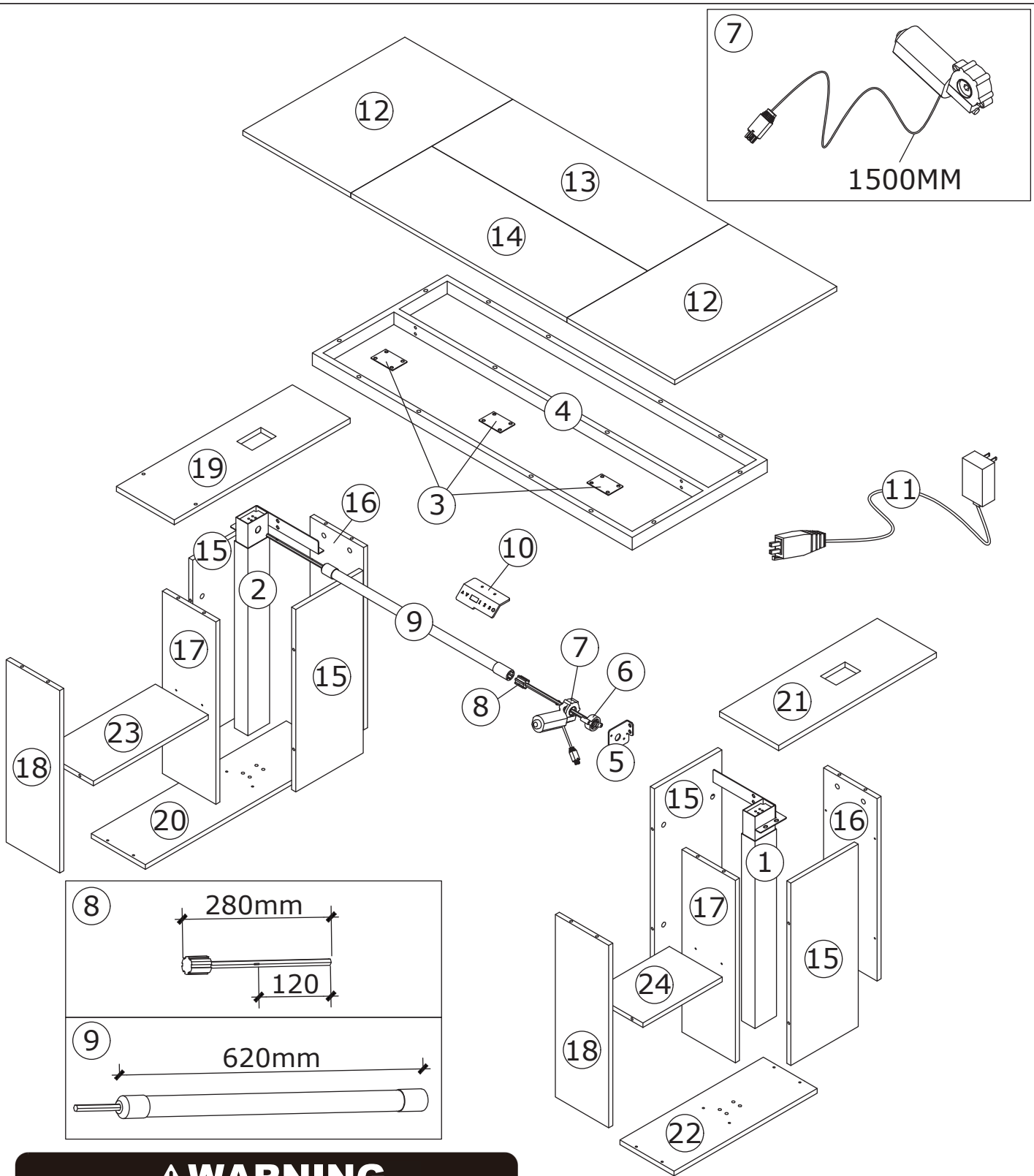


Please prepare the following tools



When installing, please carefully confirm whether each screw corresponds to the manual, accessories with similar shapes can be distinguished by size

A x 56  M5 x 42 mm	B x 56  Ø15 x 10 mm	C x 4  M3.5 x 12 mm	D x 54  M3.5 x 14 mm	E x 16  Ø8 x 40 mm
F x 20  M5 x 40 mm	G x 16  Ø30 x 3 mm	H x 8  Ø5 mm	I x 4  DW	J x 2  M4 x 45 mm
K x 2  M4 mm	L x 2  Ø14 x Ø5 x 1 mm	M x 20  M6 x 12 mm	N x 14  M6 x 30 mm	O x 14  M6 x 50 mm
P x 4  M6 x 60 mm	Q x 4  M6 mm	R x 4  Ø7 x 9 mm	T x 8  M8 x 30 mm	U x 16  BBK
x 1  #4	x 1  #5	x 1  M4	x 1  10mm 12mm	

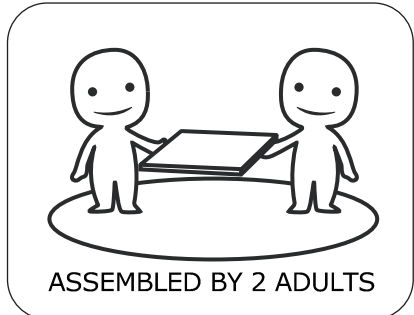


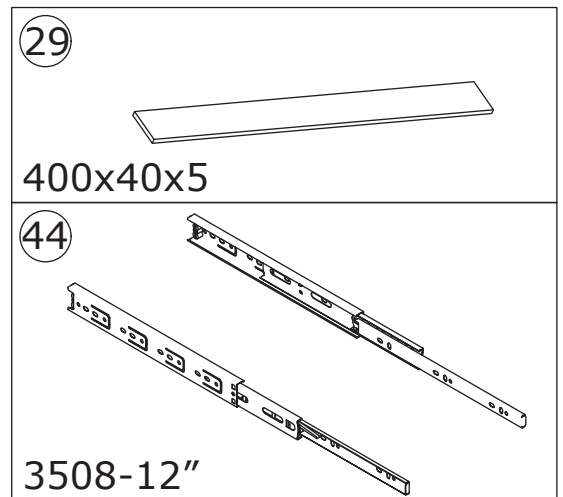
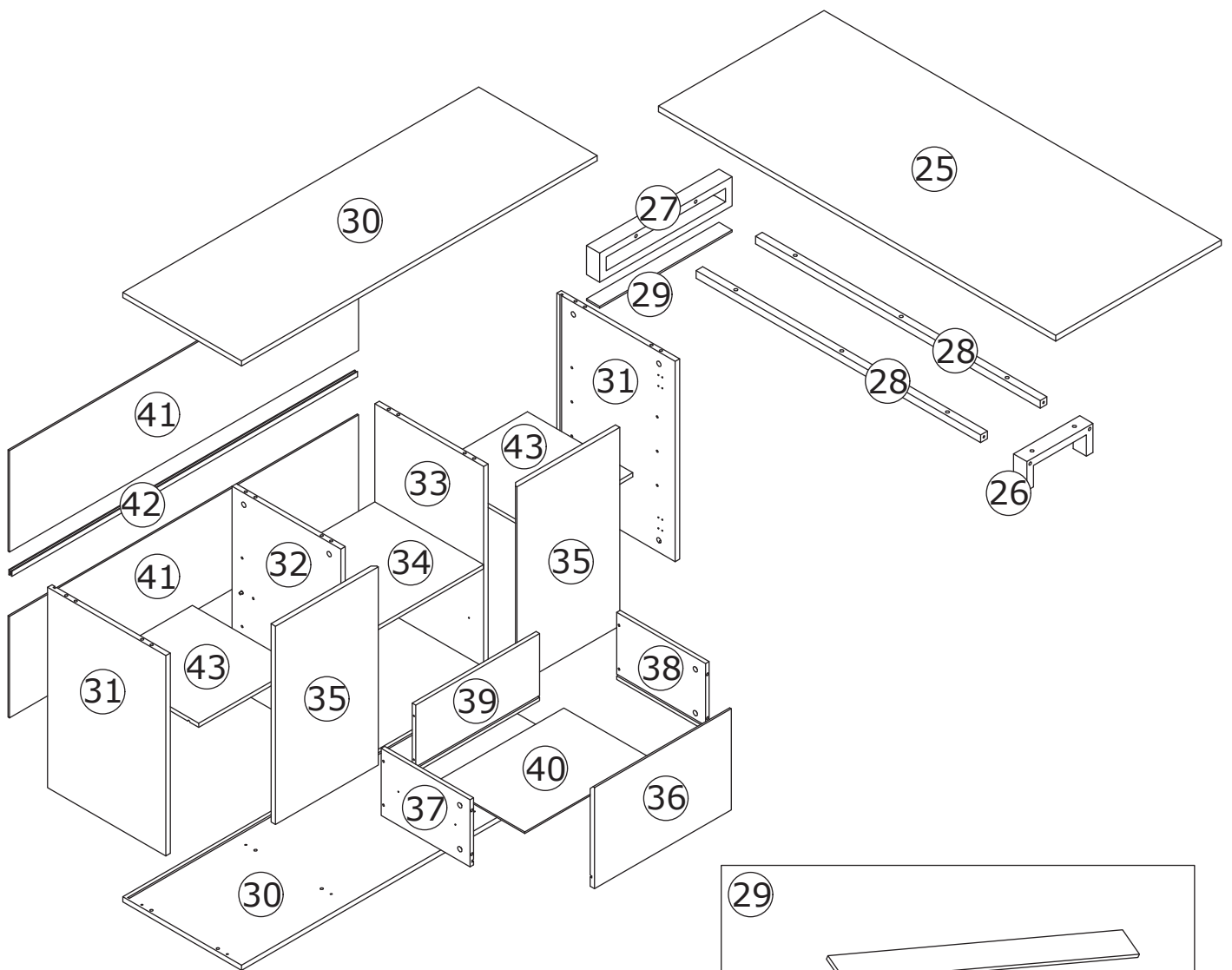
**⚠ WARNING**

**Children have died from furniture tipover. To reduce the risk of furniture tipover:**

- ALWAYS install Anti-tip device provided.
- NEVER put a TV on this product.
- NEVER allow children to stand, climb or hang on drawers, doors, or shelves.
- NEVER open more than one drawer at a time.
- Place heaviest items in the lowest drawers.

*This is a permanent label. Do not remove!*



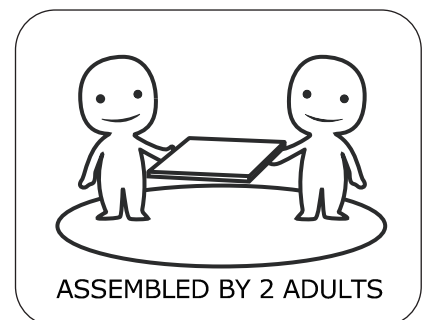


**⚠ WARNING**

**Children have died from furniture tipover. To reduce the risk of furniture tipover:**

- ALWAYS install Anti-tip device provided.
- NEVER put a TV on this product.
- NEVER allow children to stand, climb or hang on drawers, doors, or shelves.
- NEVER open more than one drawer at a time.
- Place heaviest items in the lowest drawers.

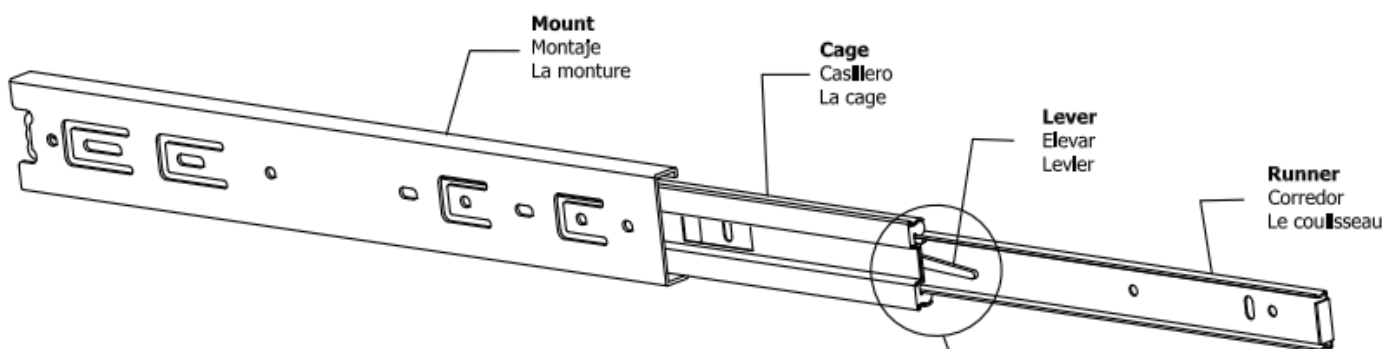
*This is a permanent label. Do not remove!*



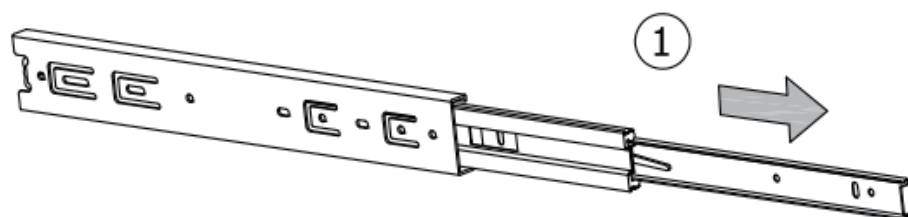
**Slides Must Be Separated Before Assembly.  
After Separated, Set Aside Until Needed for Assembly.**

Las diapositivas deben separarse antes del montaje.  
Después de la separación, déjelo a un lado hasta que sea necesario.

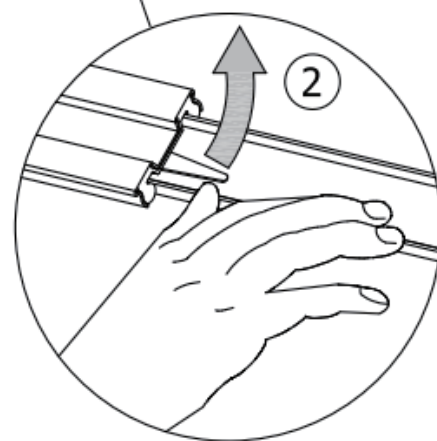
Les glissières doivent être séparées avant l'assemblage.  
Après la séparation, mettez de côté jusqu'au moment de l'assemblage.



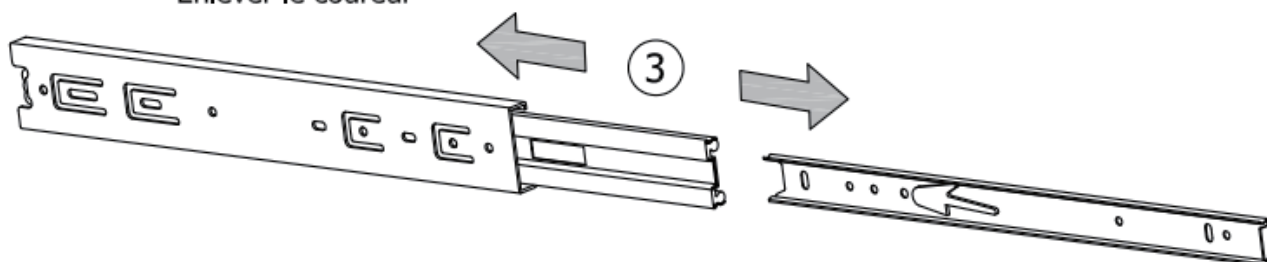
**STEP 1: Extend Slide**  
Extender la diapositiva  
Extendre la diapositive



**STEP 2: Push Lever UP**  
Empujar hacia arriba  
Lever le levier

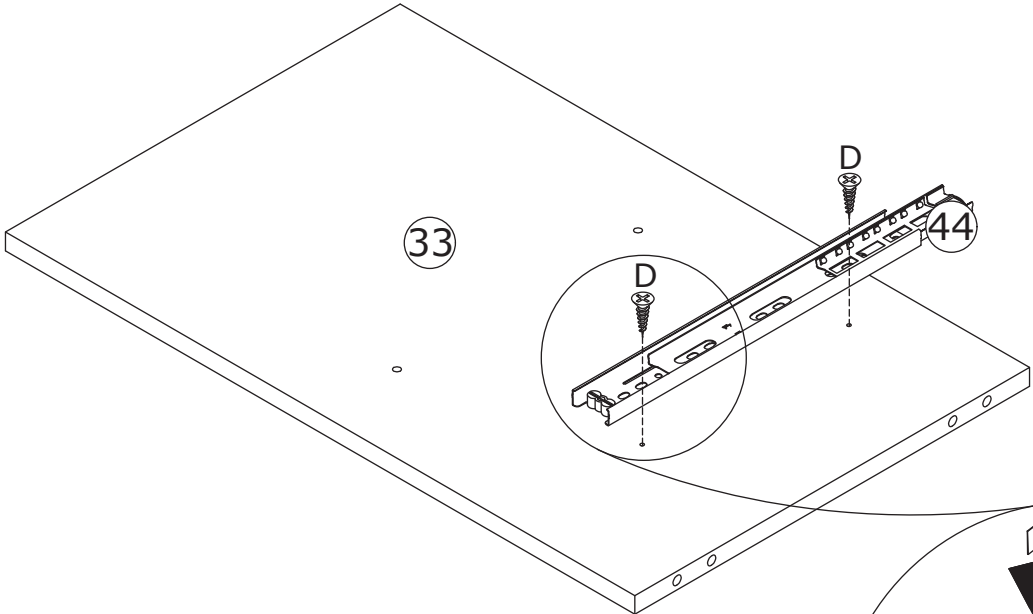
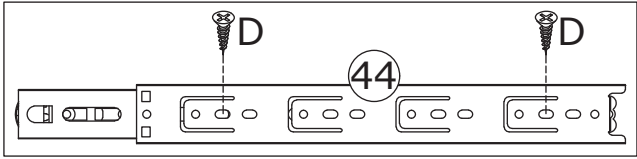


**STEP 3: Remove Runner**  
Quitar el corredor  
Enlever le coureur

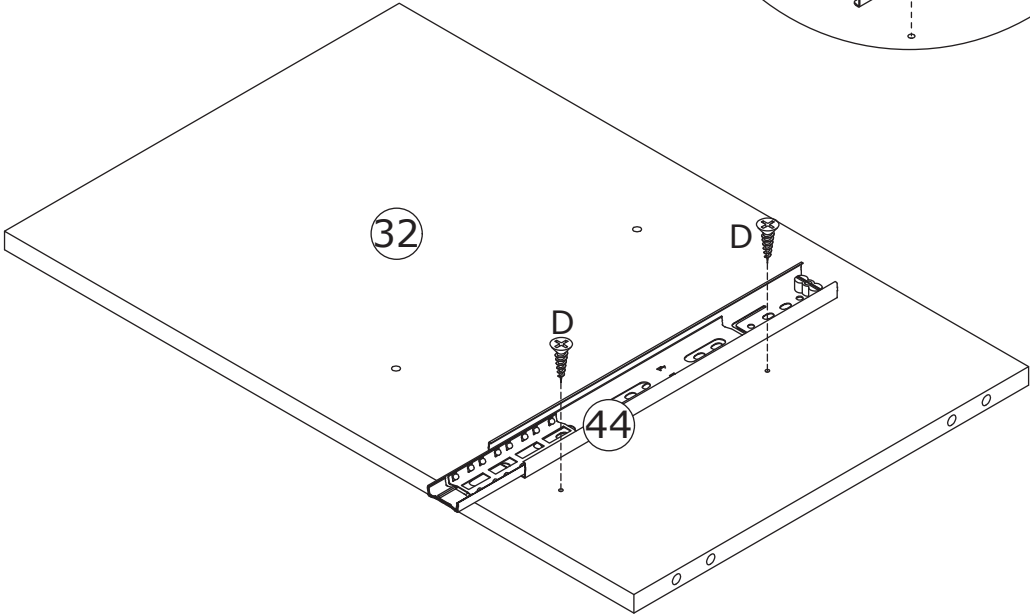
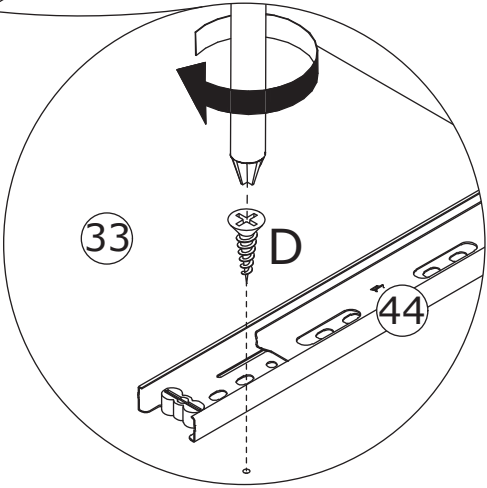


1

D x 4  
M3.5 x 14 mm

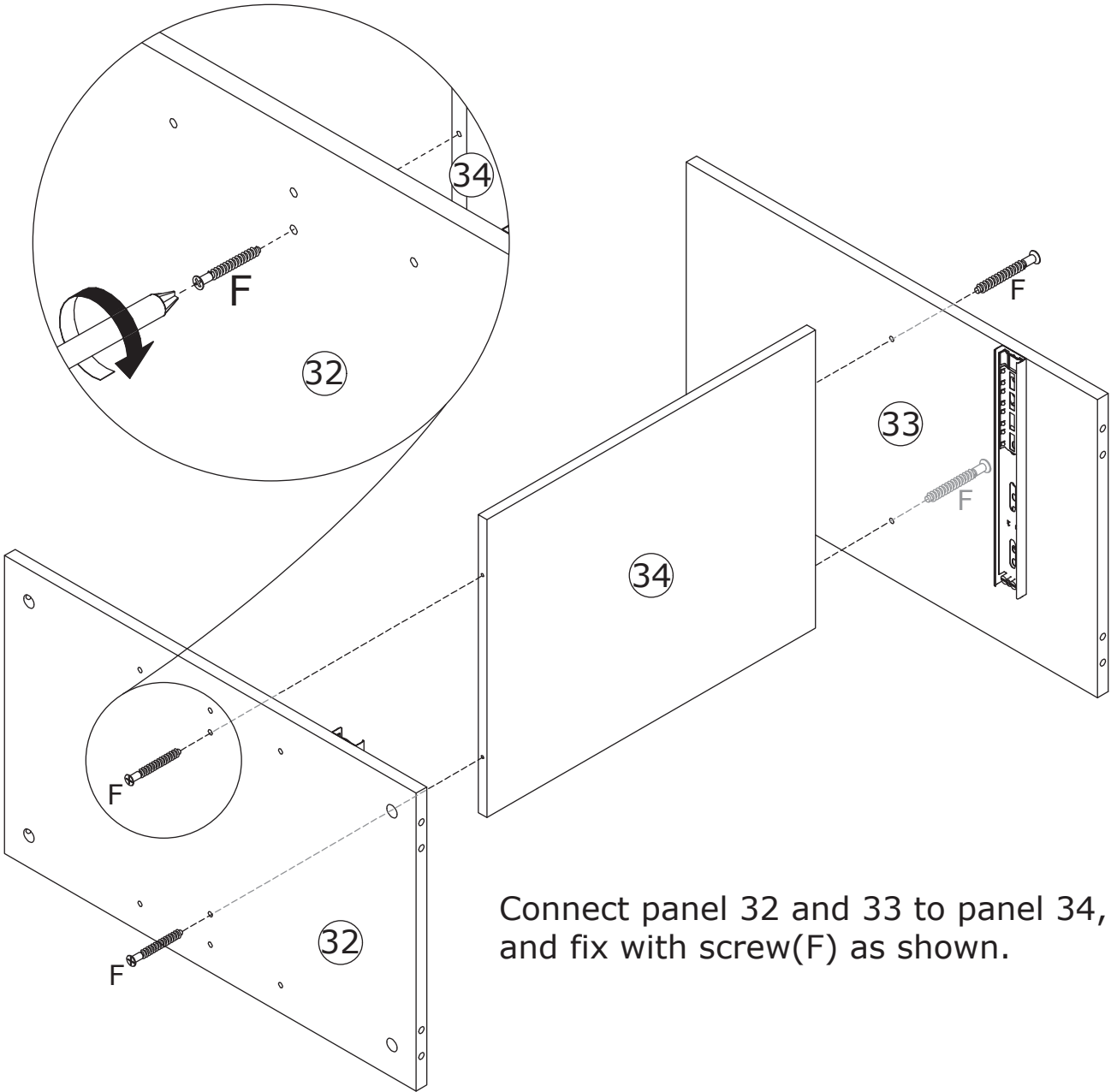


**Separate slide into two parts at first.**  
Fix rail 44 to panel 33 and 32 with screw(D) as shown.



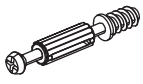


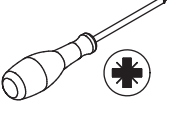
2

F x 4  
M5 x 40 mm

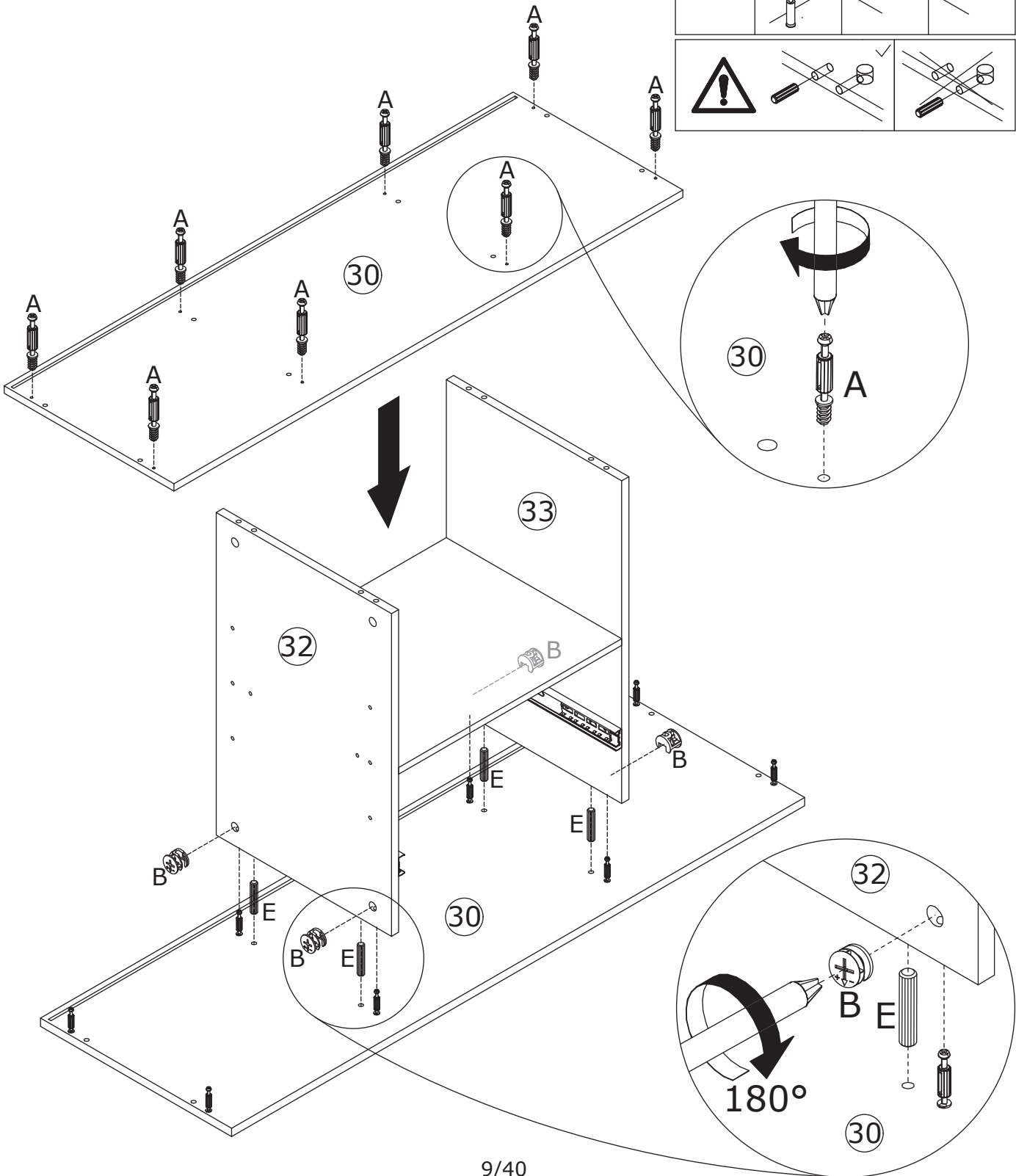
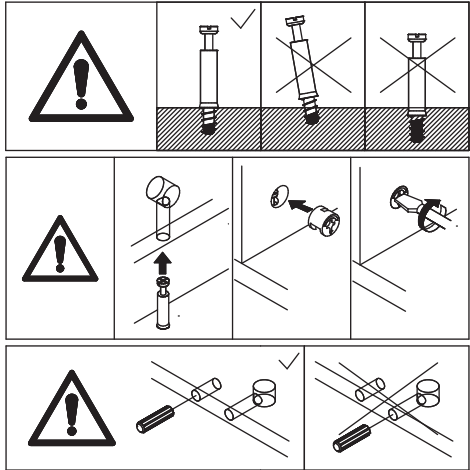


Connect panel 32 and 33 to panel 34,  
and fix with screw(F) as shown.

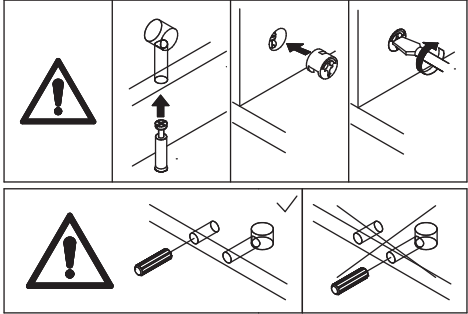
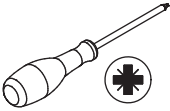
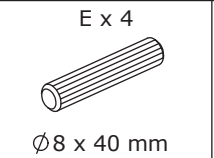
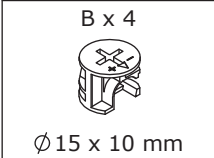
3

<p>A x 8 M5 x 42 mm</p> 	<p>B x 4 Ø15 x 10 mm</p> 	<p>E x 4 Ø8 x 40 mm</p> 	
---	--	---	---

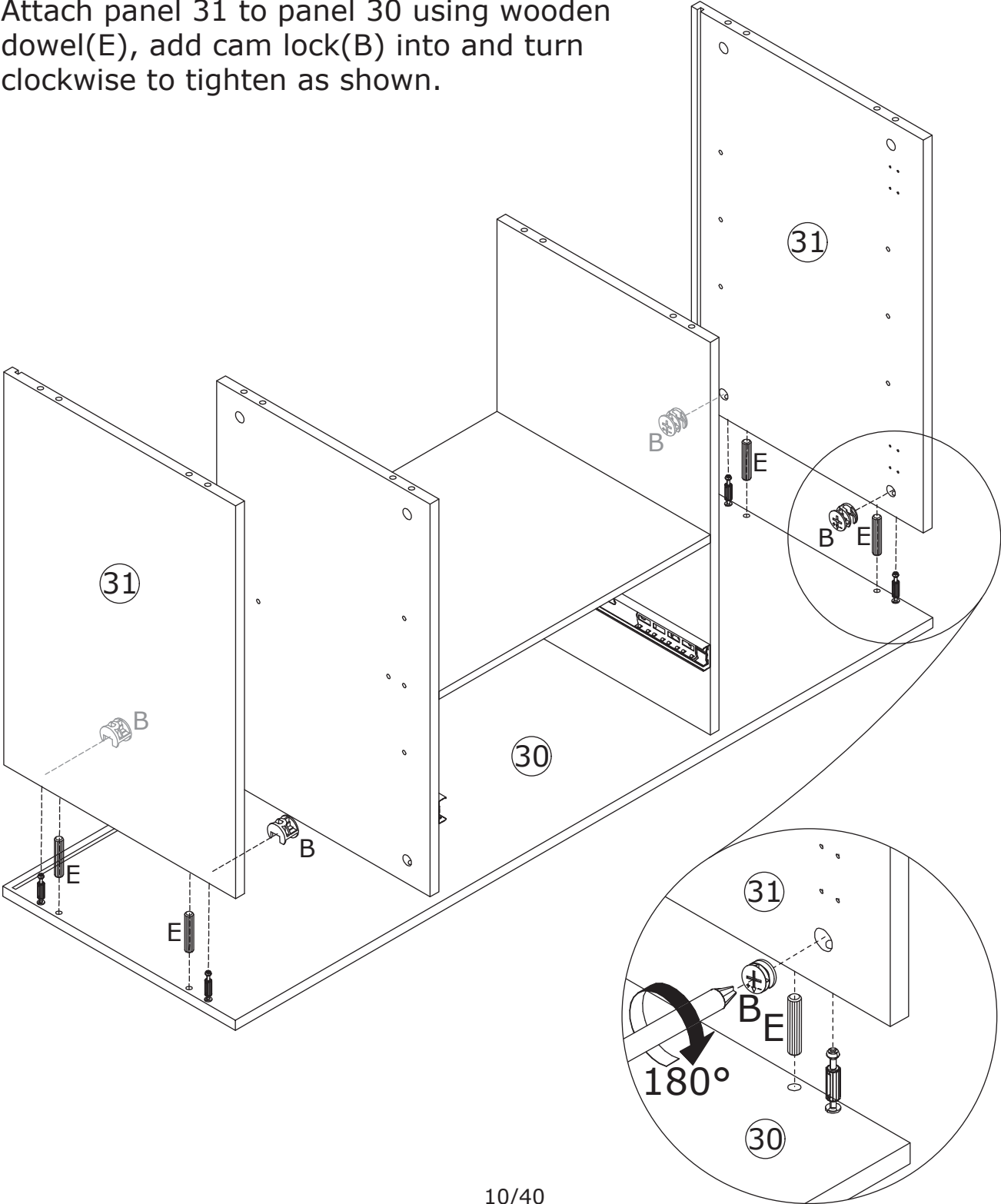
Screw eccentric rod(A) into panel 30 at first. Attach panel 32 and 33 to panel 30 using wooden dowel(E), add cam lock(B) into and turn clockwise to tighten as shown.



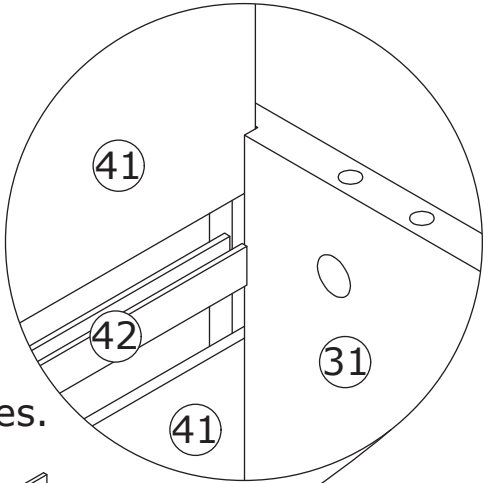
4



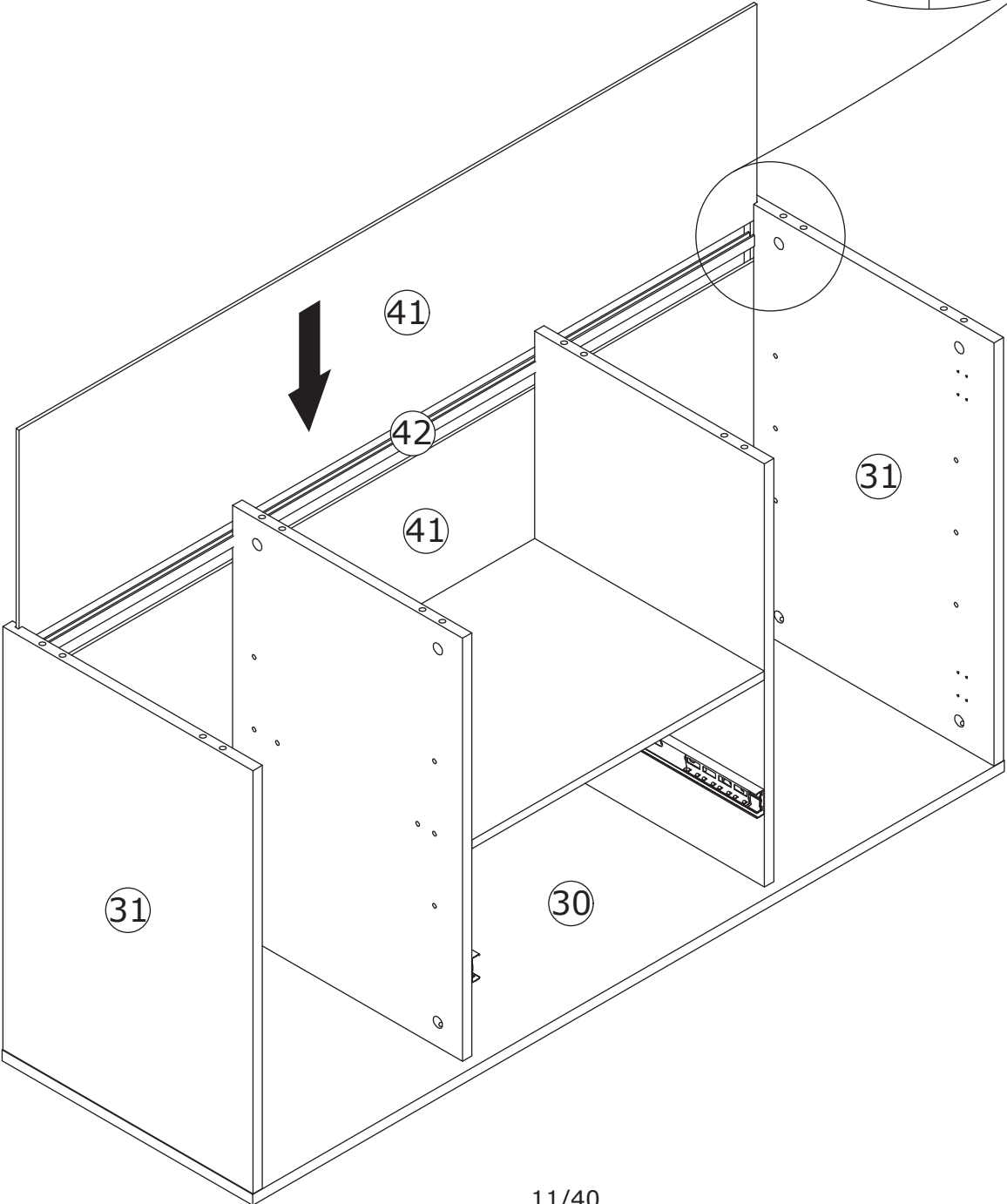
Attach panel 31 to panel 30 using wooden dowel(E), add cam lock(B) into and turn clockwise to tighten as shown.



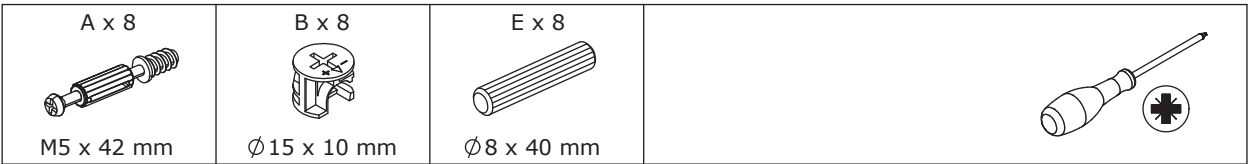
5



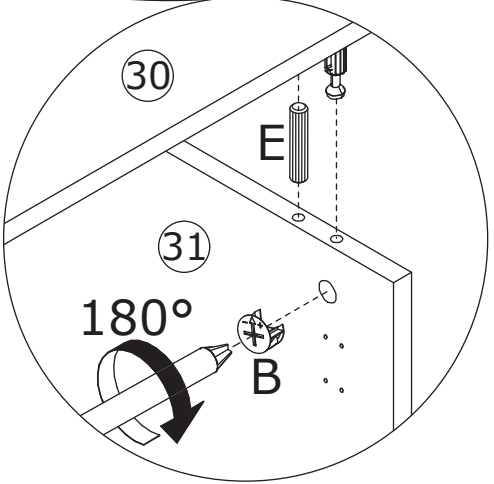
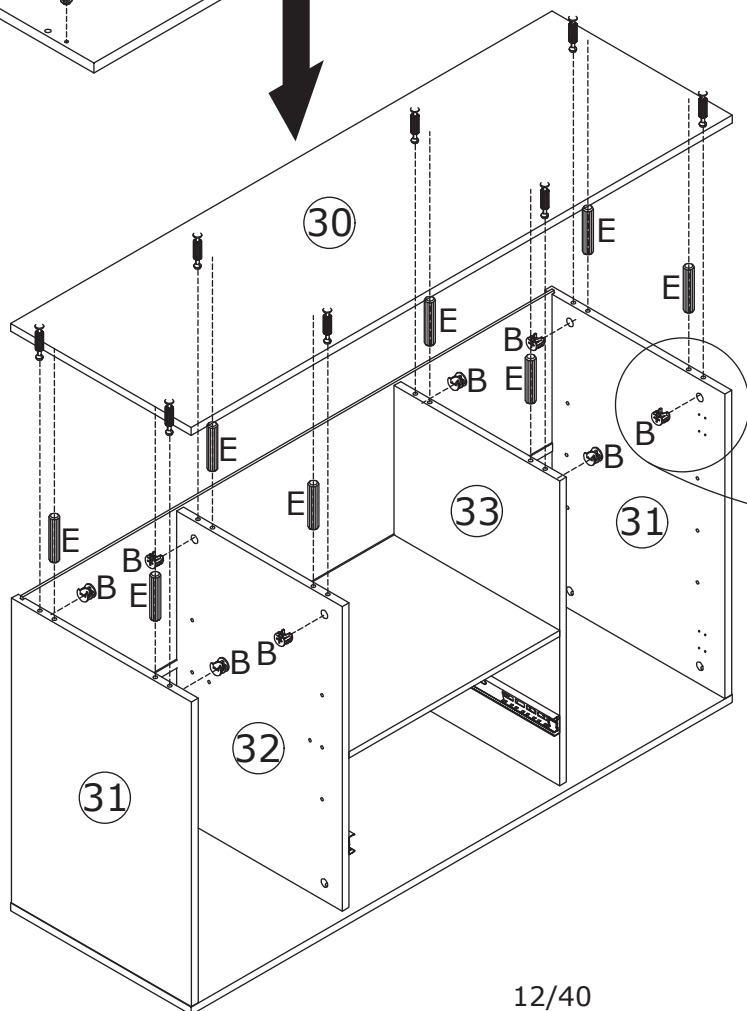
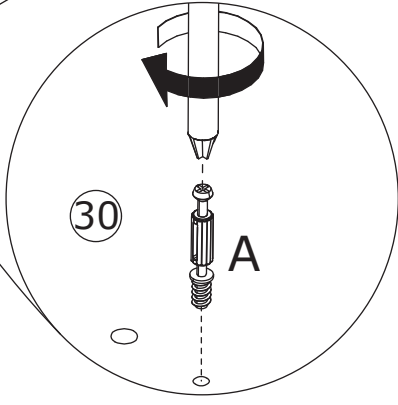
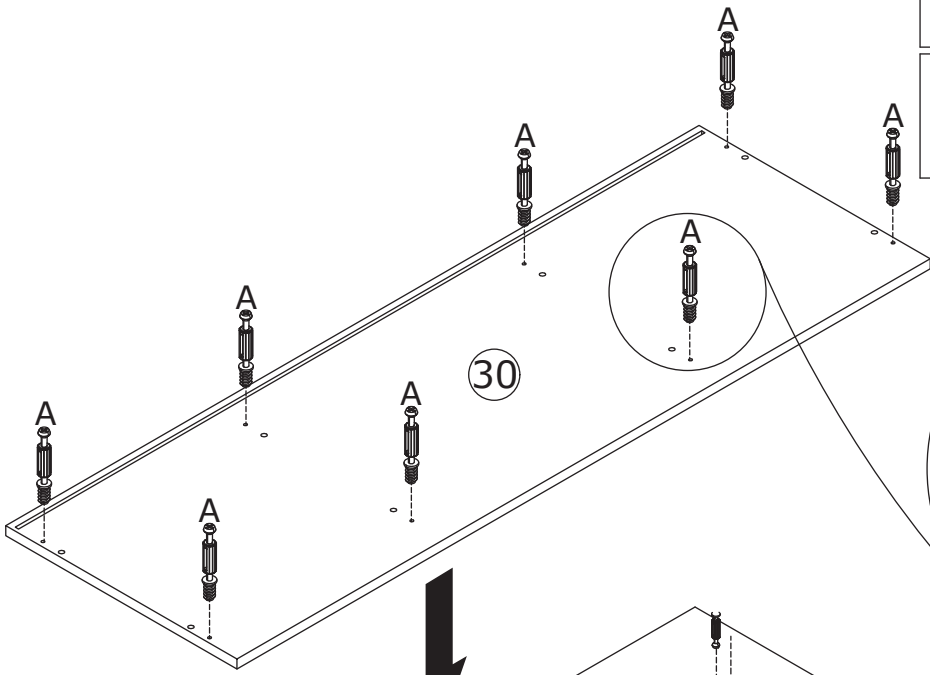
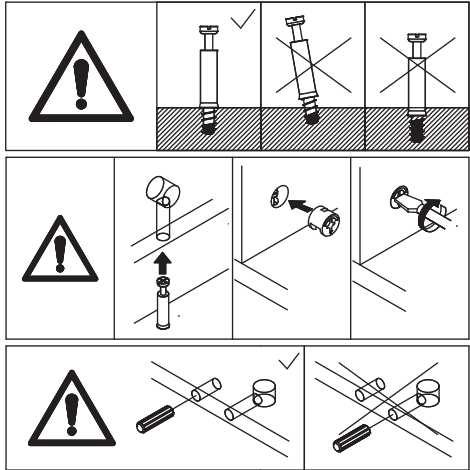
Slide back panel 41, 42 along available grooves.




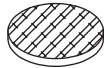

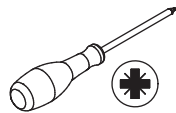
6



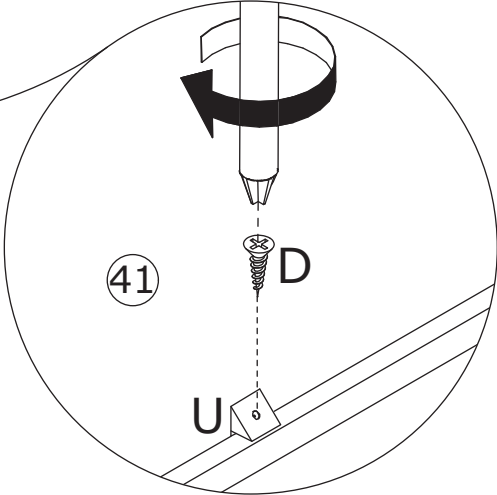
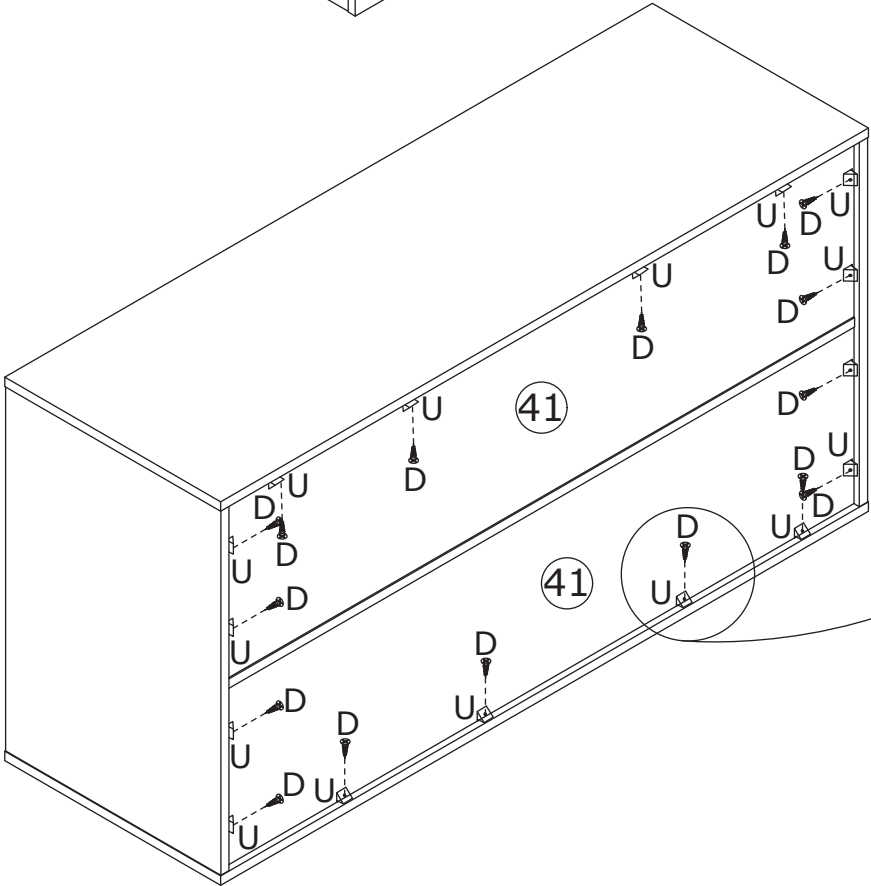
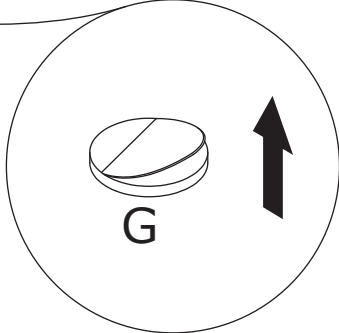
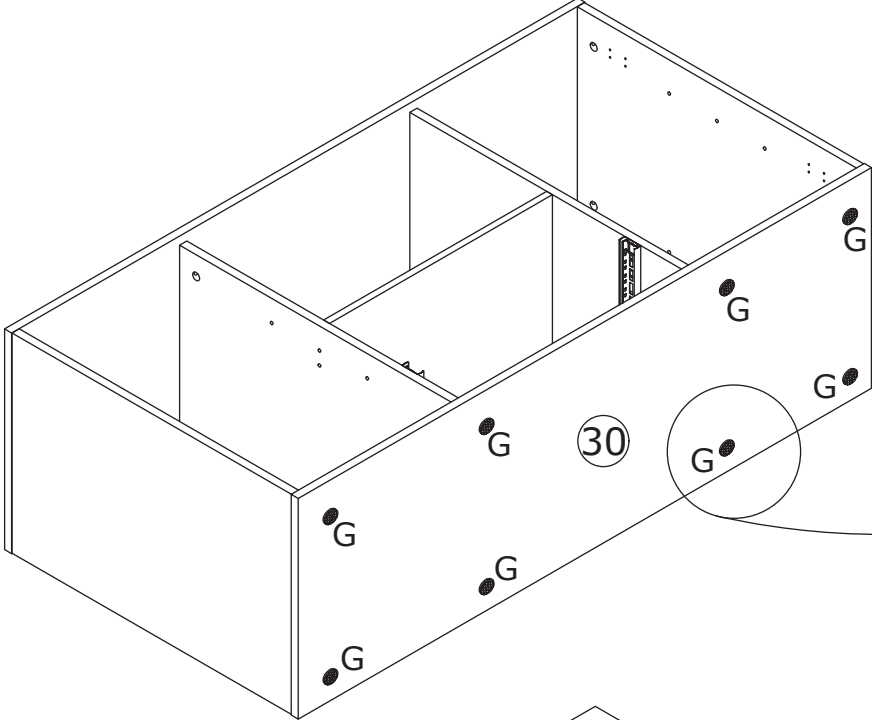
Screw eccentric rod(A) into panel 30 at first. Attach panel 30 to the top using wooden dowel(E), add cam lock(B) into and turn clockwise to tighten as shown.



7

<p>D x 16</p>  <p>M3.5 x 14 mm</p>	<p>G x 8</p>  <p>Ø30 x 3 mm</p>	<p>U x 16</p>  <p>BBK</p>	
---	--	--	---

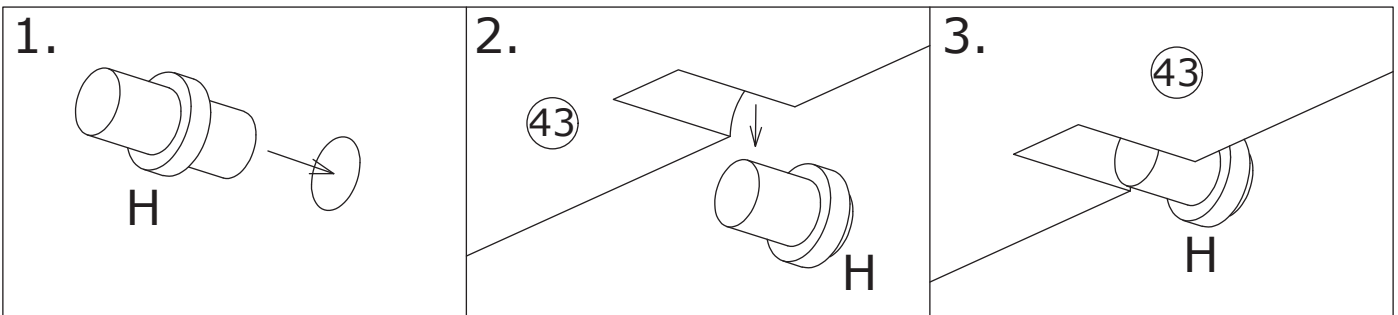
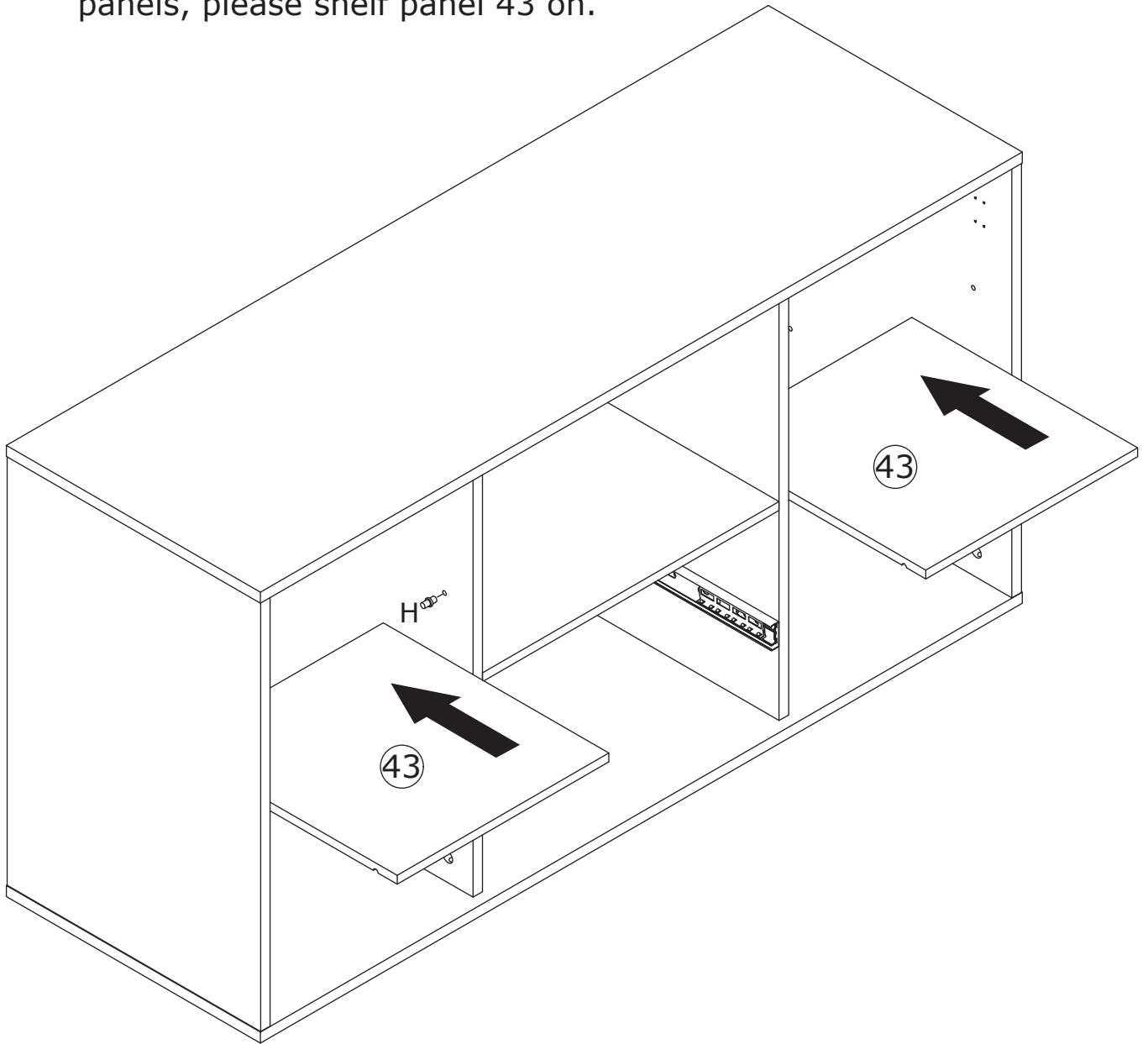
Stick foot pad(G) on the bottom.  
Insert buckle(U) into the back slots  
and fix with screw(D) as shown.



8

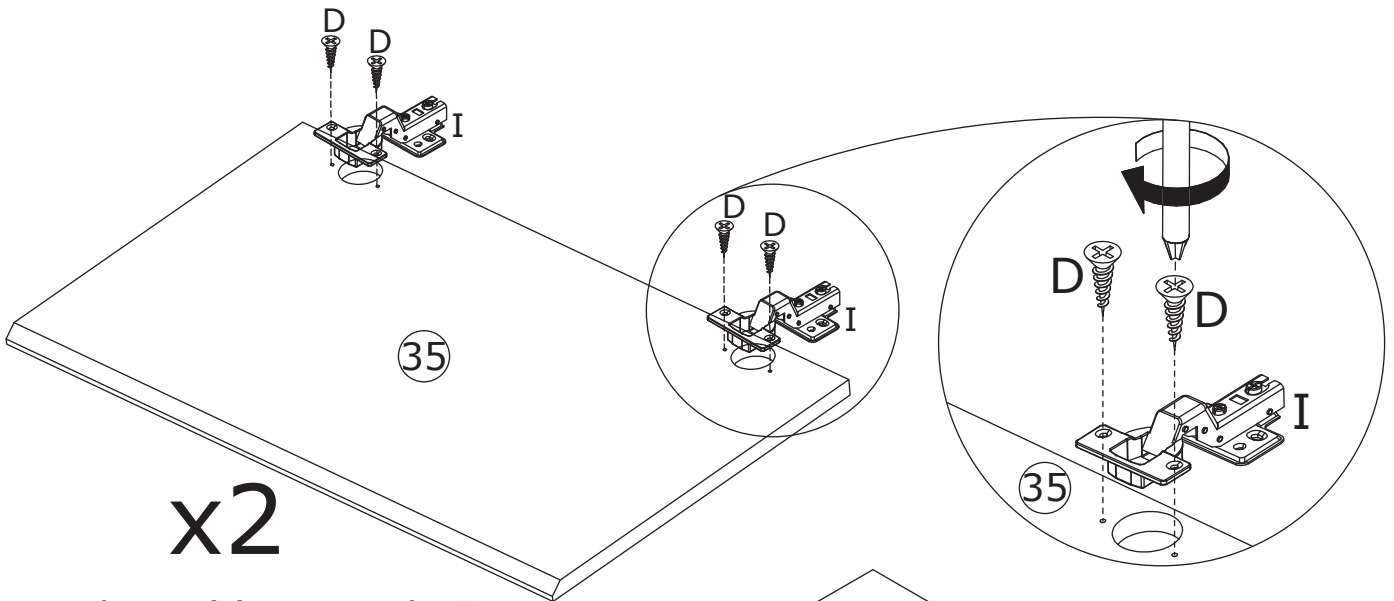
H x 8  
  
Ø5 mm

Insert layer pin(H) into side panels, please shelf panel 43 on.



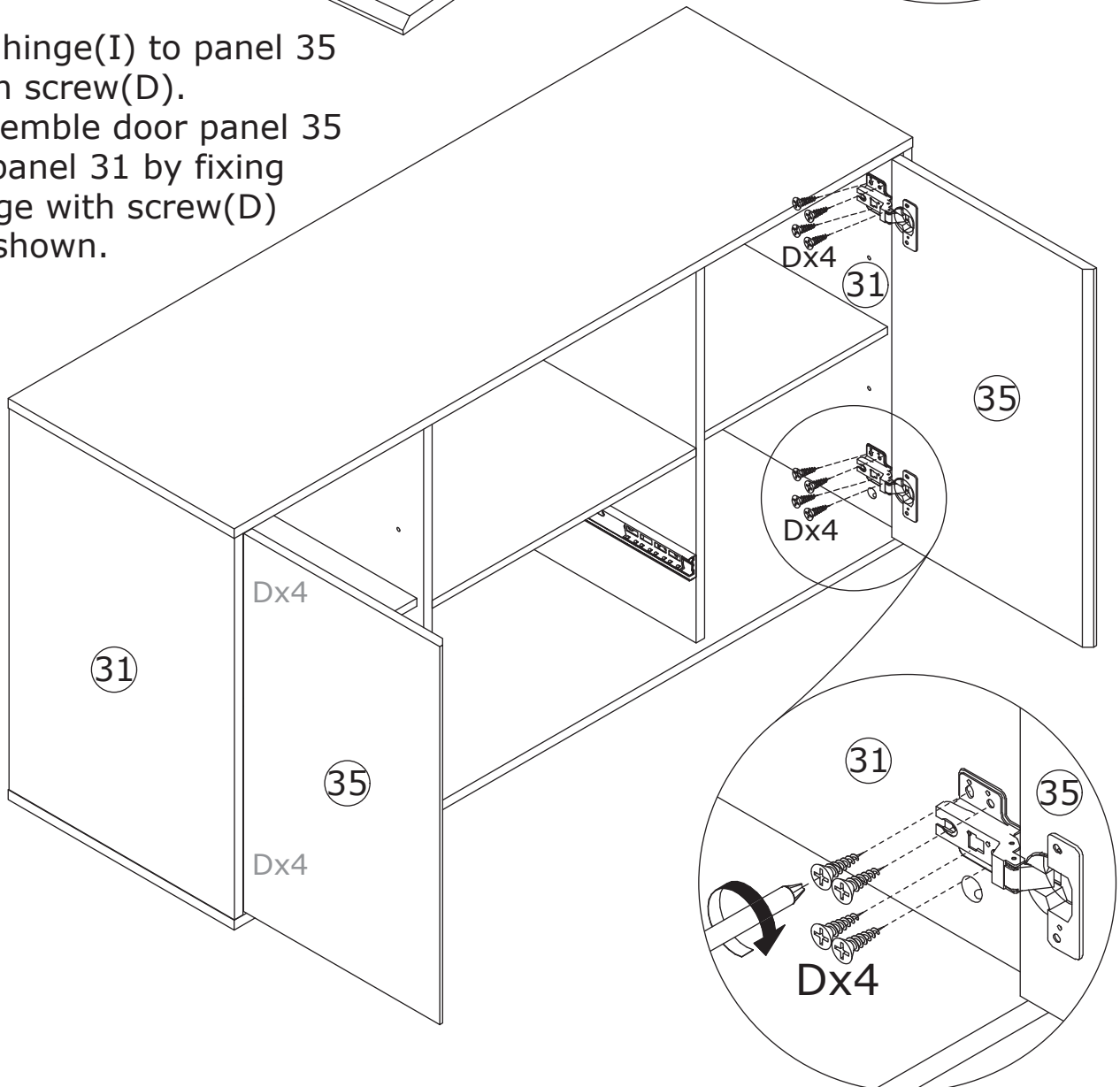
9

<p>D x 24</p>  <p>M3.5 x 14 mm</p>	<p>I x 4</p>  <p>DW</p>	
---	--	---



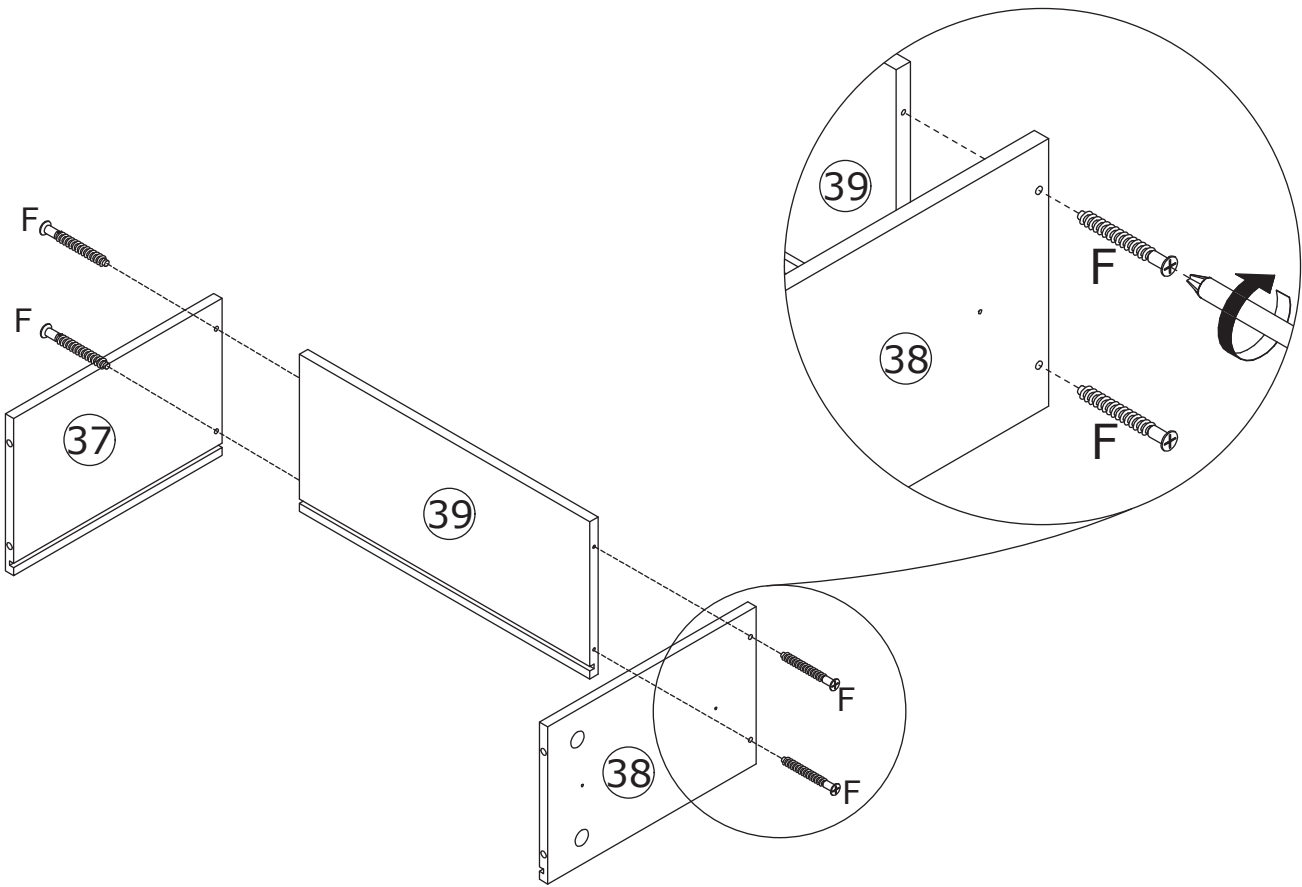
x2

Fix hinge(I) to panel 35 with screw(D).  
Assemble door panel 35 to panel 31 by fixing hinge with screw(D) as shown.

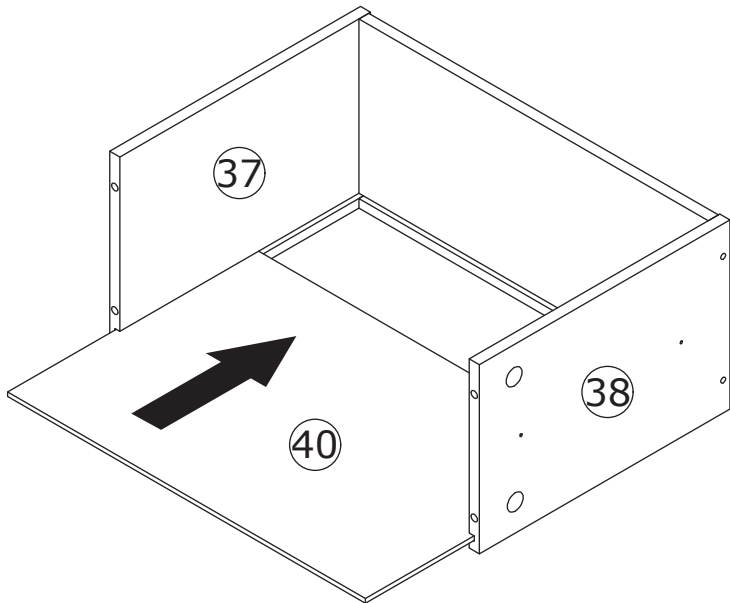


10

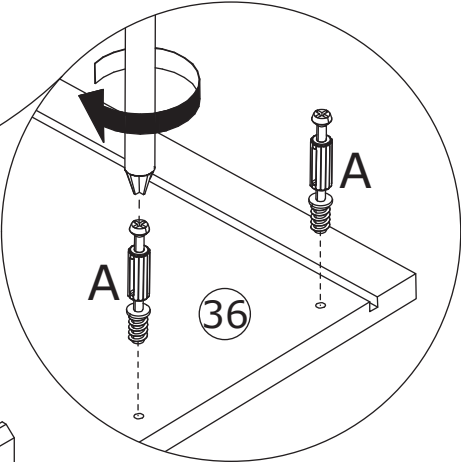
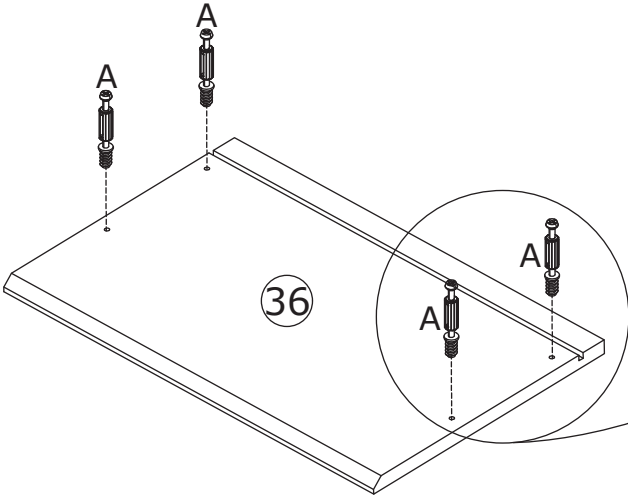
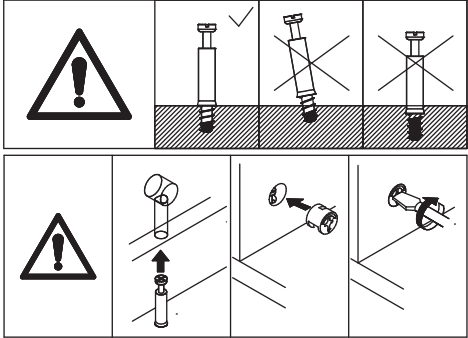
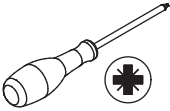
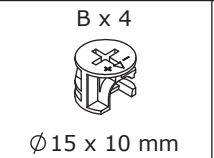
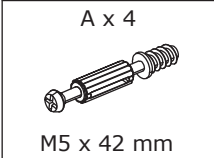
F x 4  
M5 x 40 mm



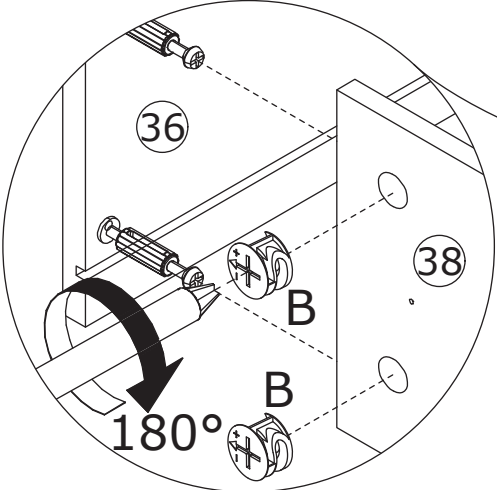
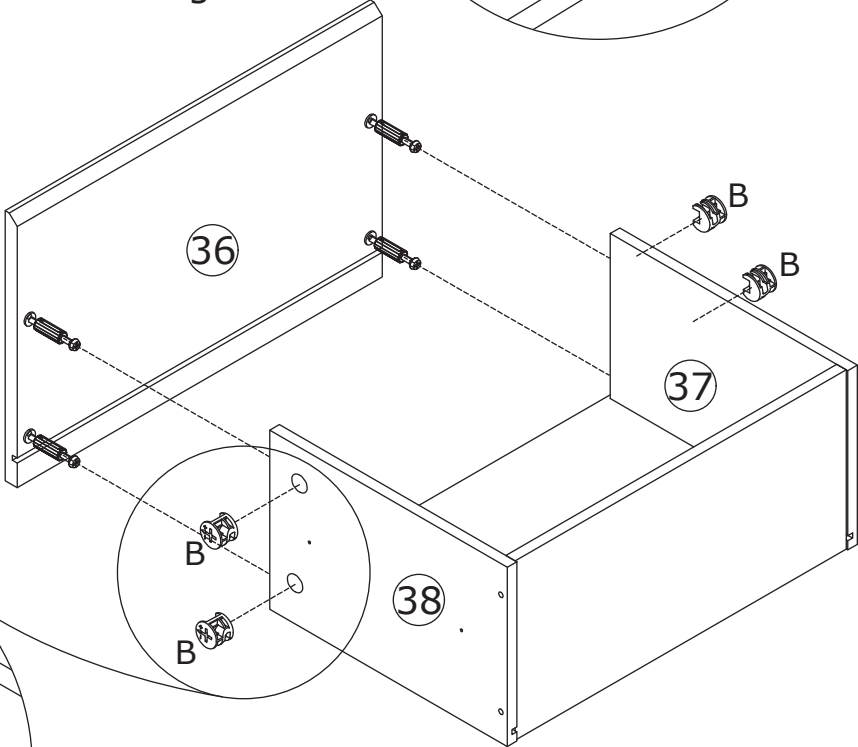
Fix panel 39 to panel 37 and 38 with screw(F).  
Slide panel 40 along available grooves.



11

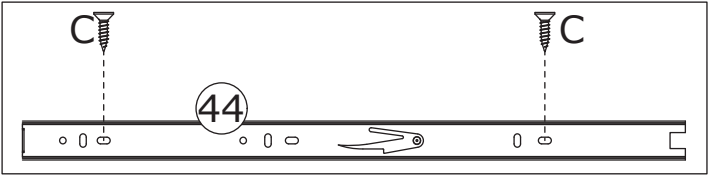


Screw eccentric rod(A) into panel 36 at first. Attach panel 36 to panel 37 and 38, add cam lock(B) into and turn clockwise to tighten as shown.

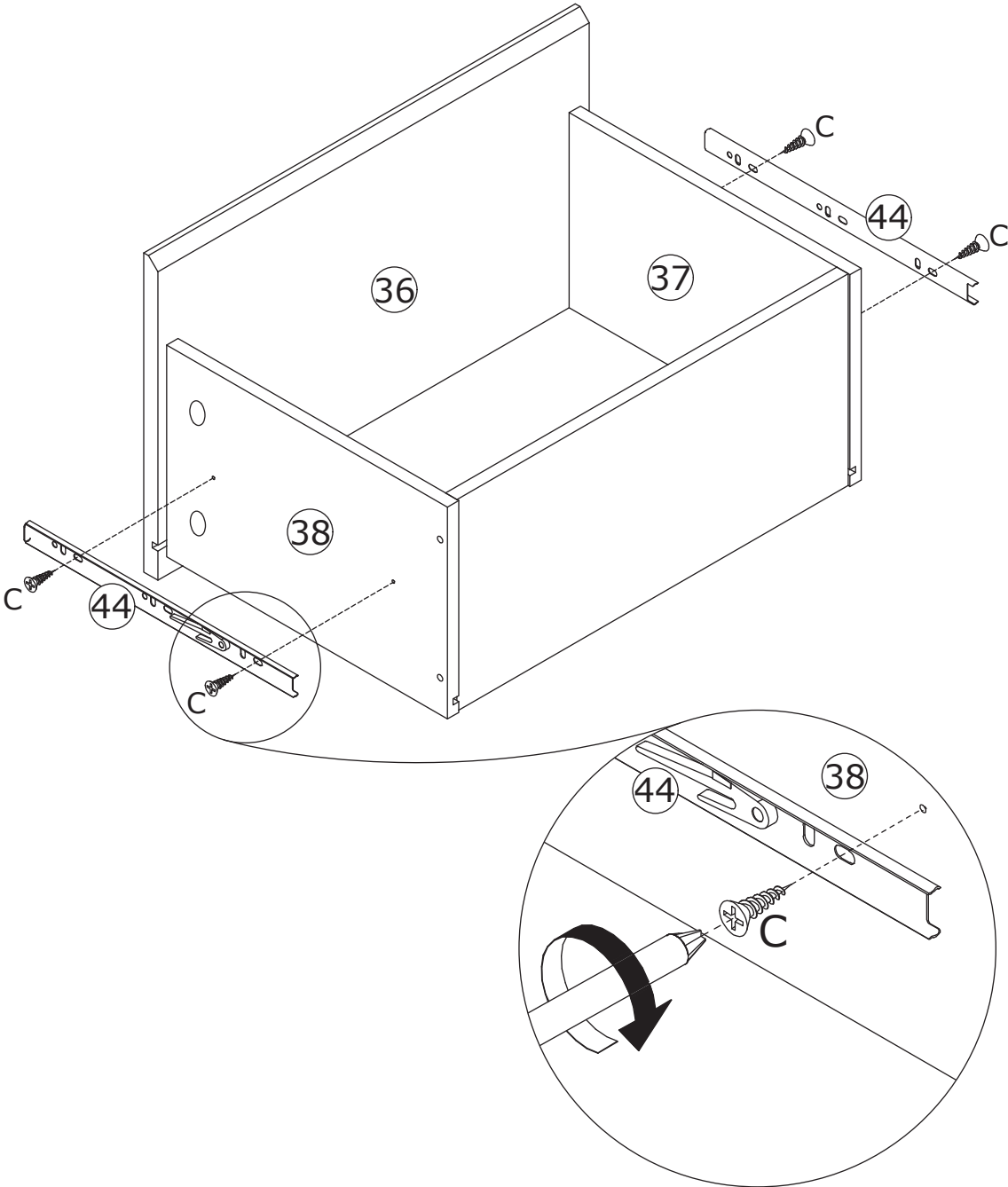


12

C x 4  
M3.5 x 12 mm

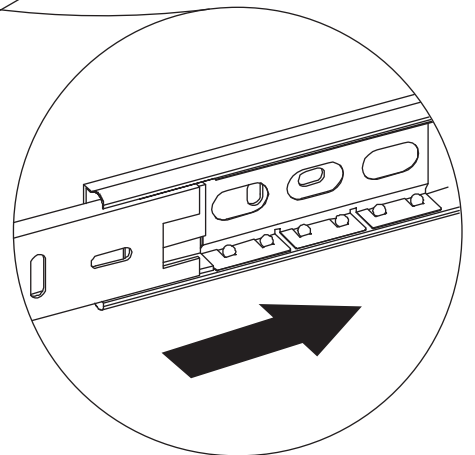
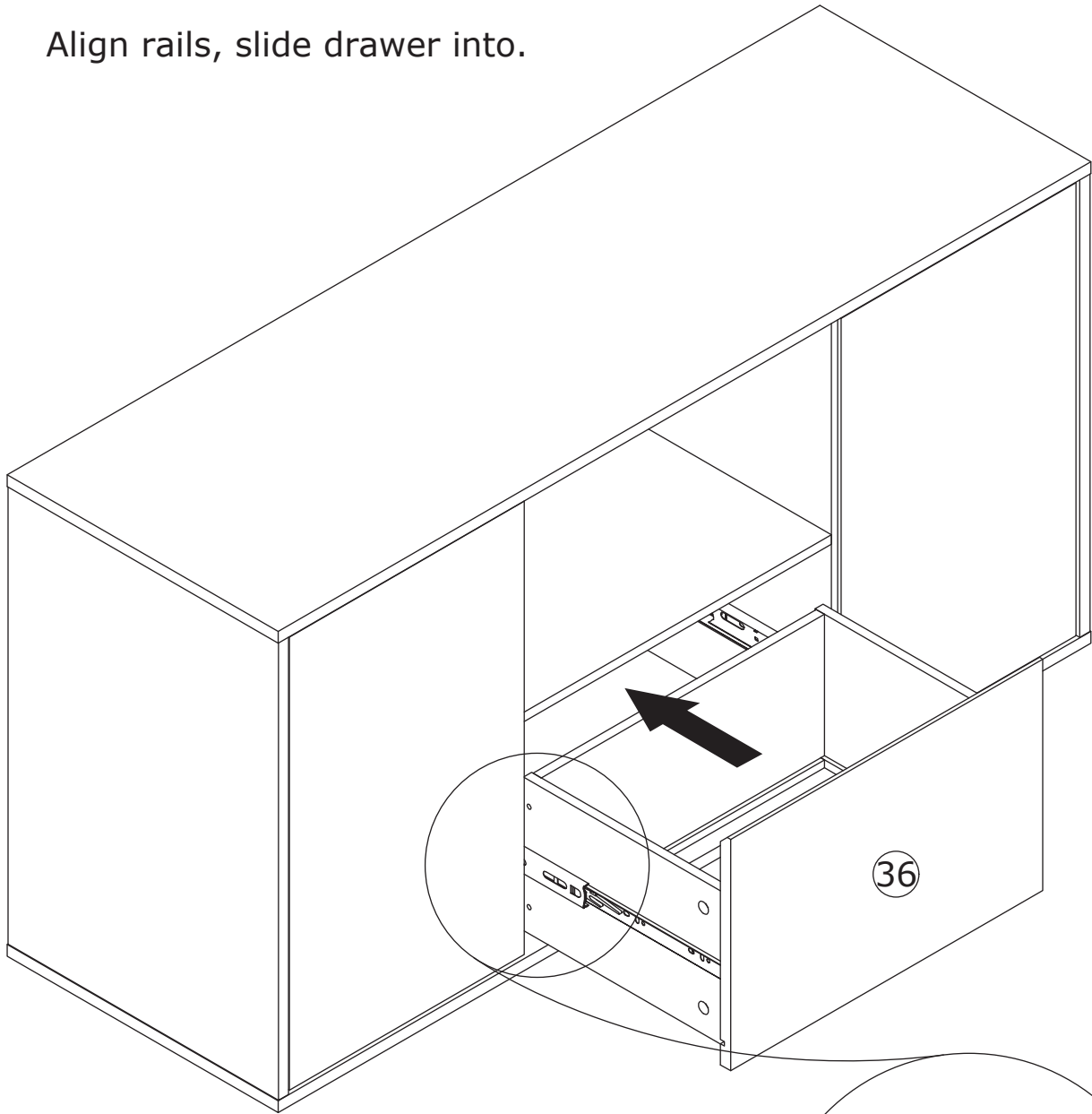


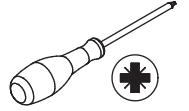
Fix runner 44 to panel 37 and 38 with screw(C) as shown.



13

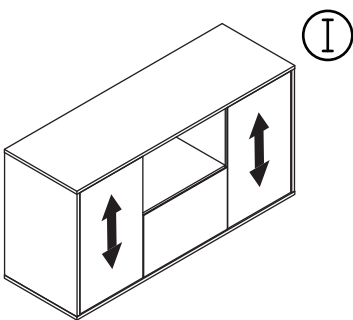
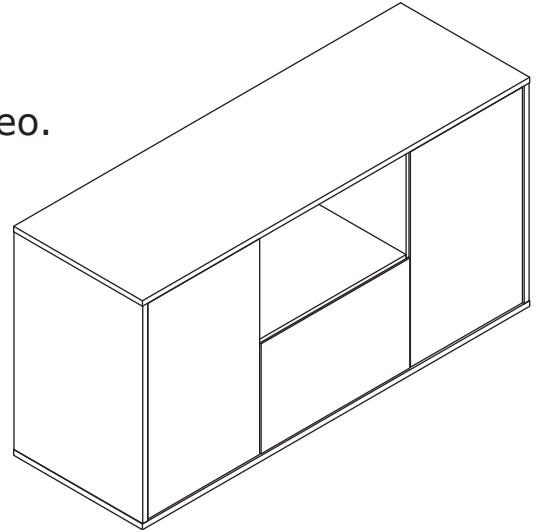
Align rails, slide drawer into.



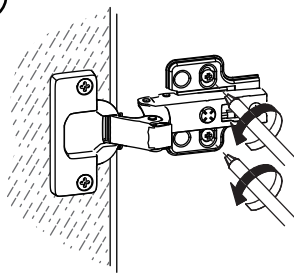


If doors are still not aligned if the hinges are properly correctly, please watch the video.

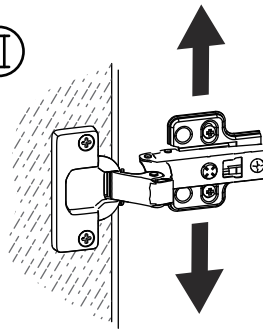
<https://youtu.be/n0Lb36SoODM>



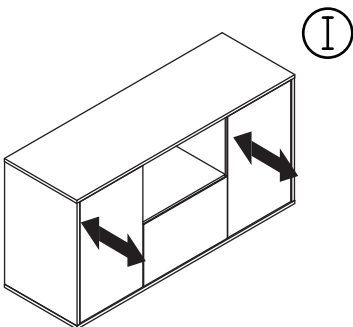
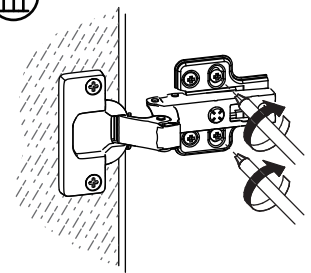
Ⓘ



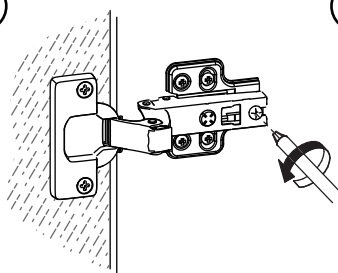
Ⓙ



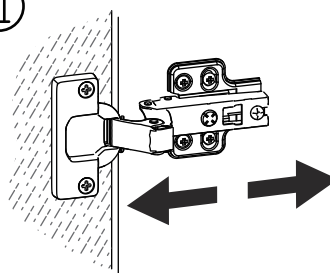
Ⓚ



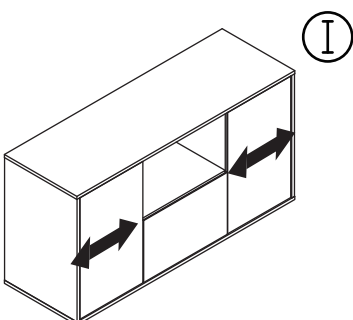
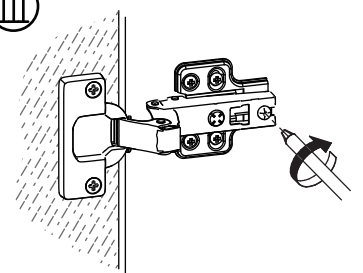
Ⓘ



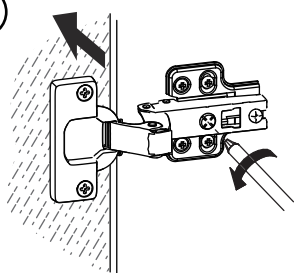
Ⓙ



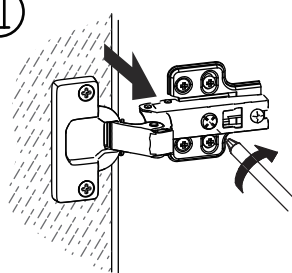
Ⓚ



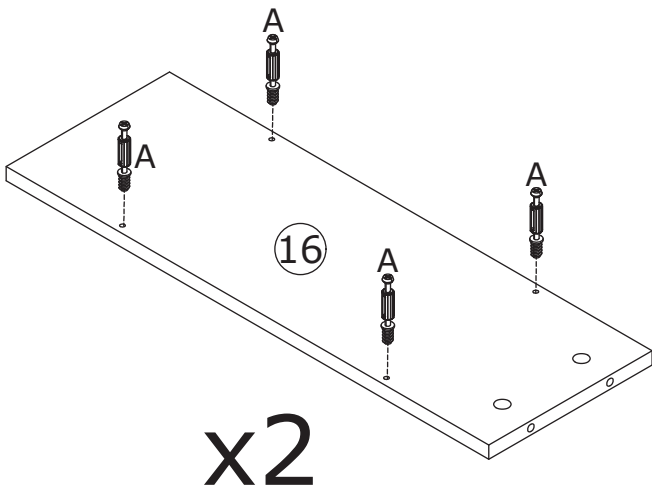
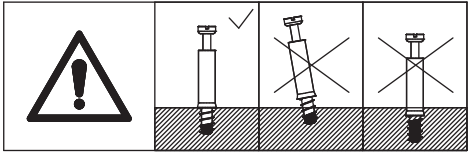
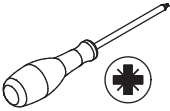
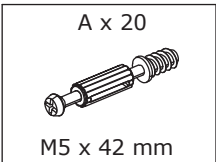
Ⓘ



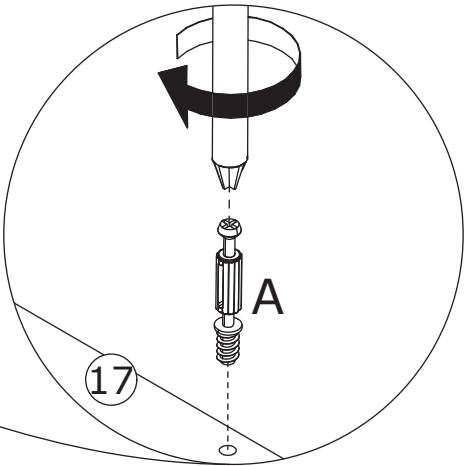
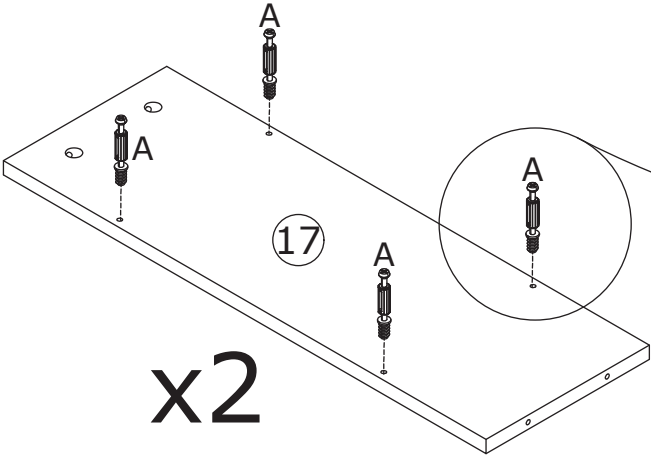
Ⓙ



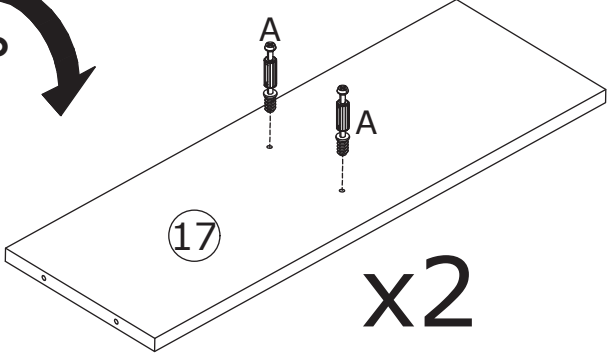
15



Screw eccentric rod(A) into panel 16 and 17 at first.

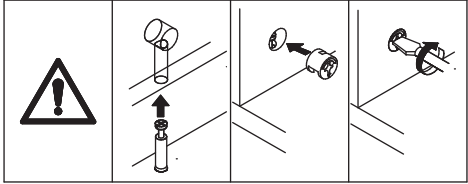


Flip 180°

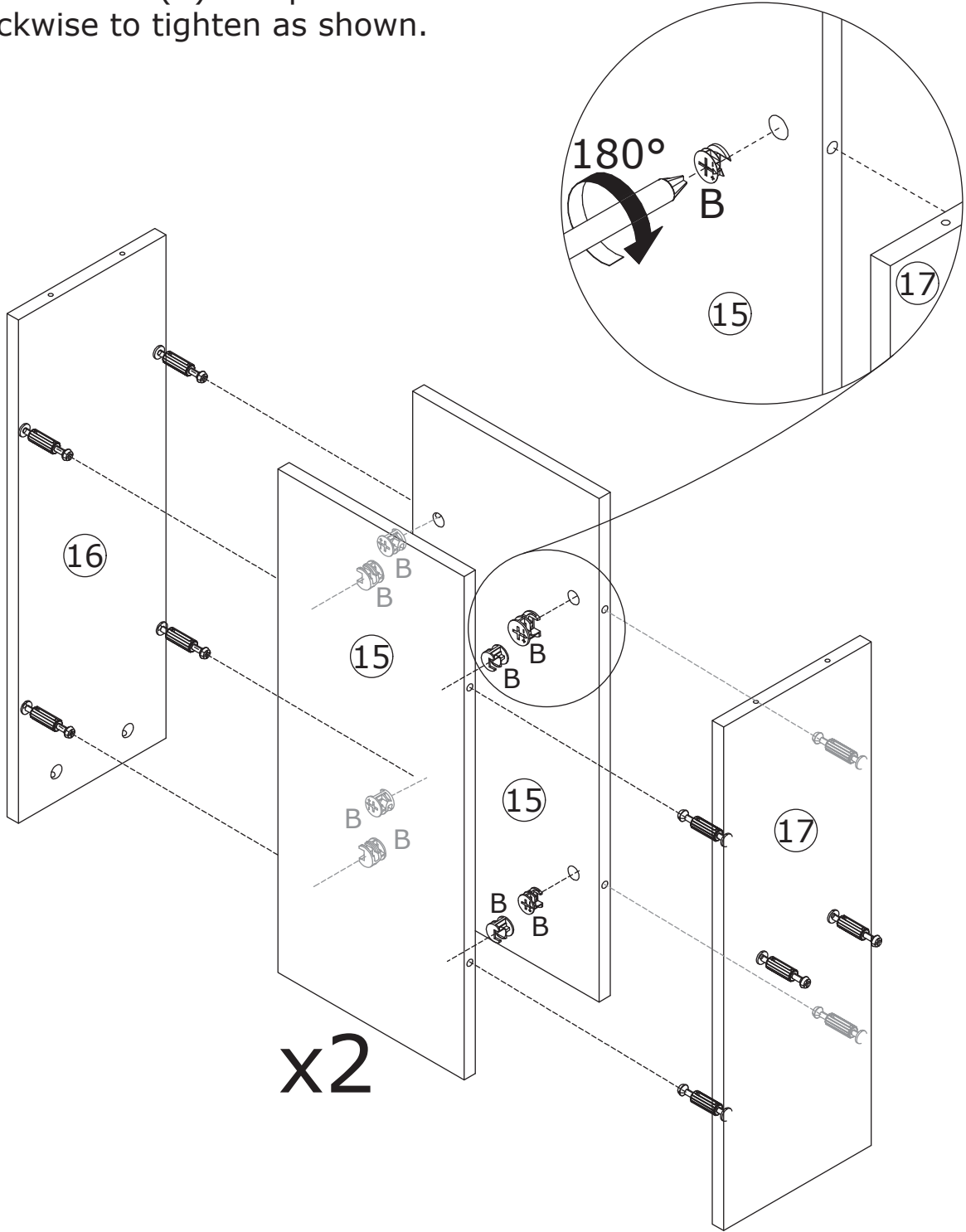


16

B x 16  
Ø15 x 10 mm

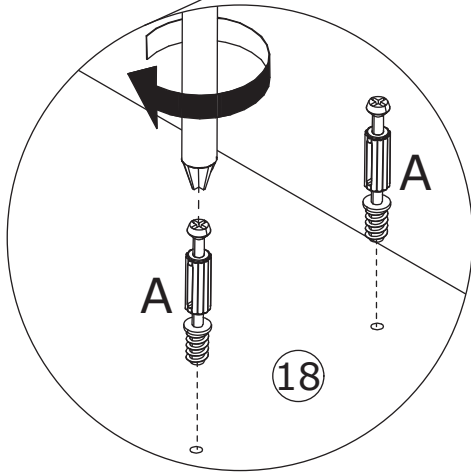
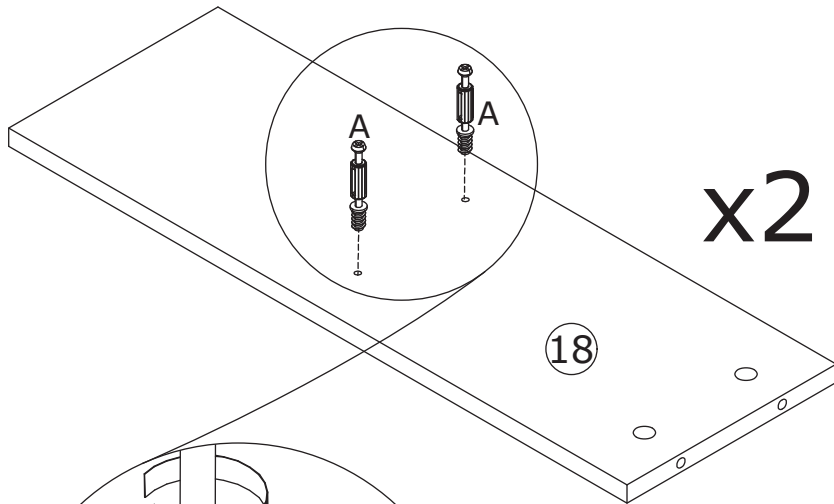
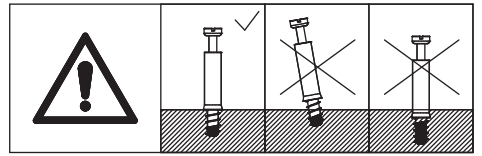
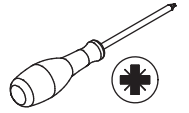


Connect panel 16 and 17 to panel 15, add cam lock(B) into panel 15 and turn clockwise to tighten as shown.

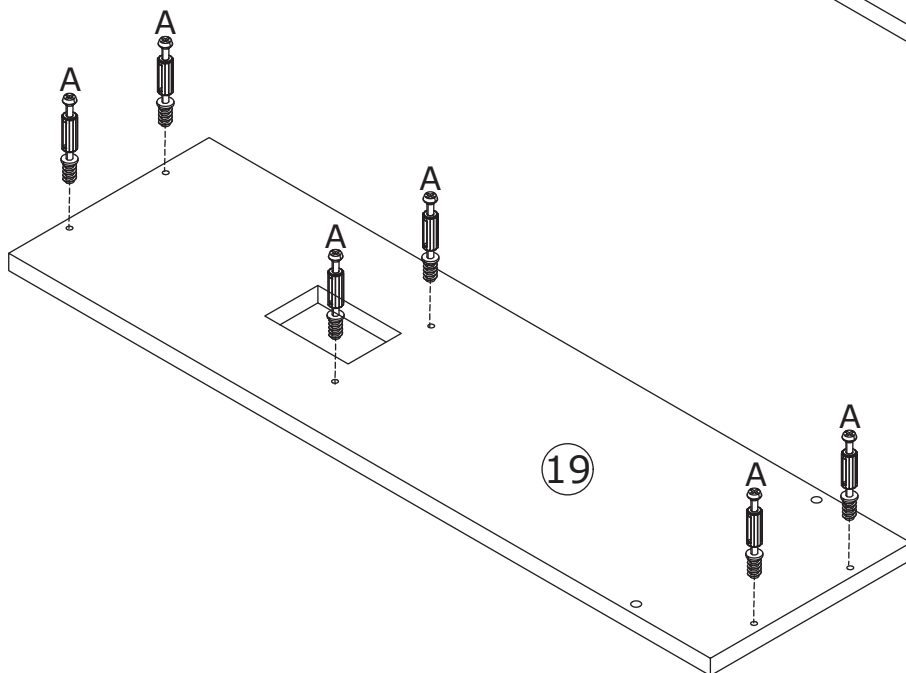
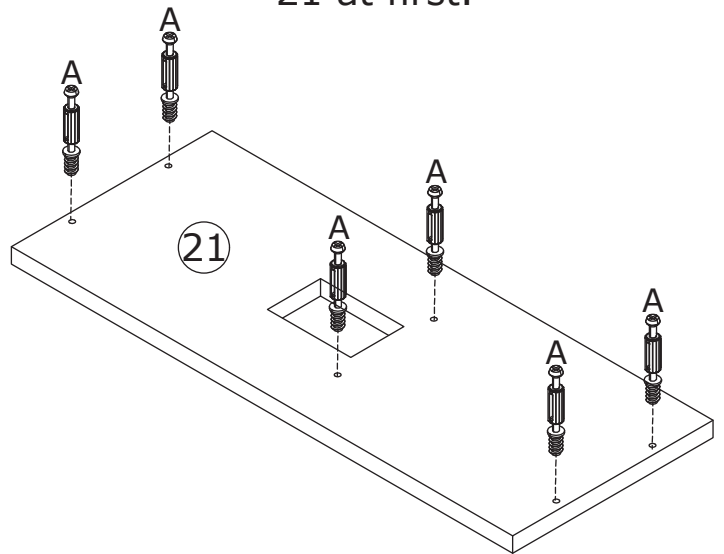


17

A x 16  
M5 x 42 mm

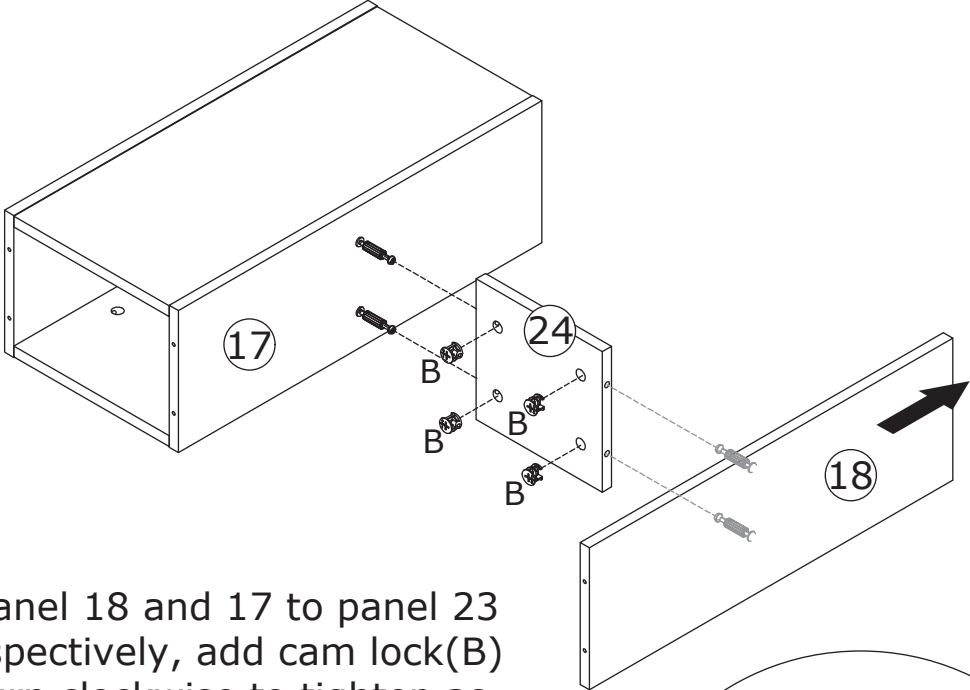
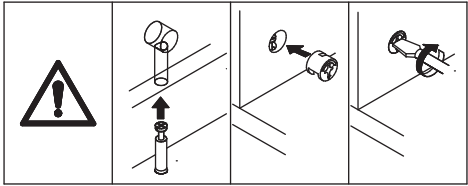
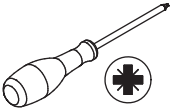


Screw eccentric rod(A)  
into panel 18, 19 and  
21 at first.

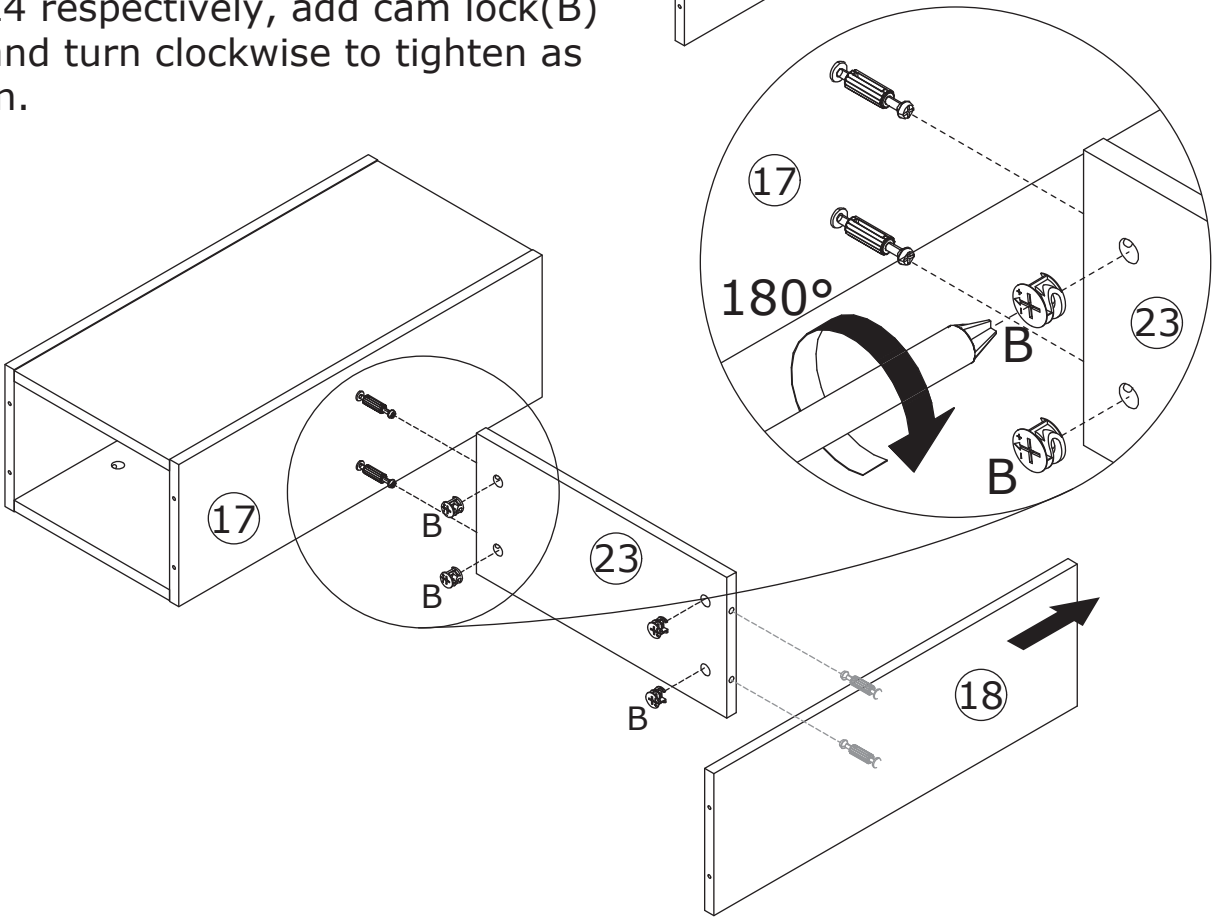


18

B x 8  
Ø15 x 10 mm

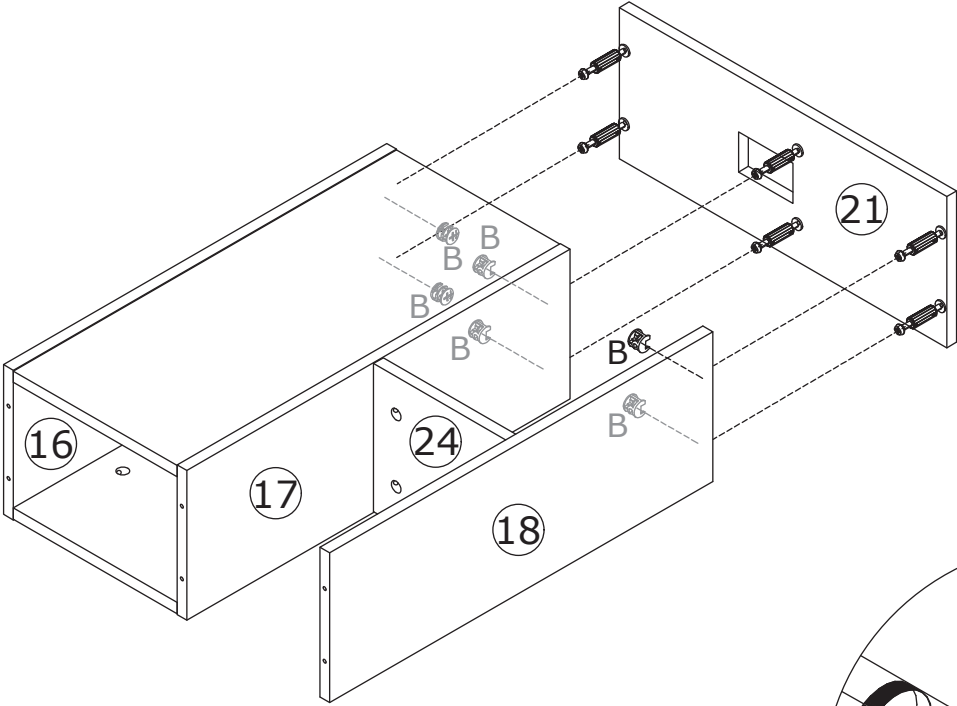
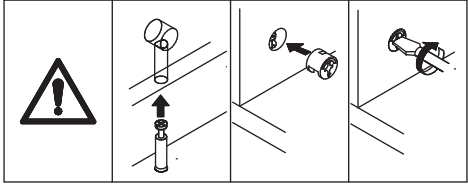
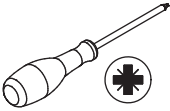


Connect panel 18 and 17 to panel 23 and 24 respectively, add cam lock(B) into and turn clockwise to tighten as shown.

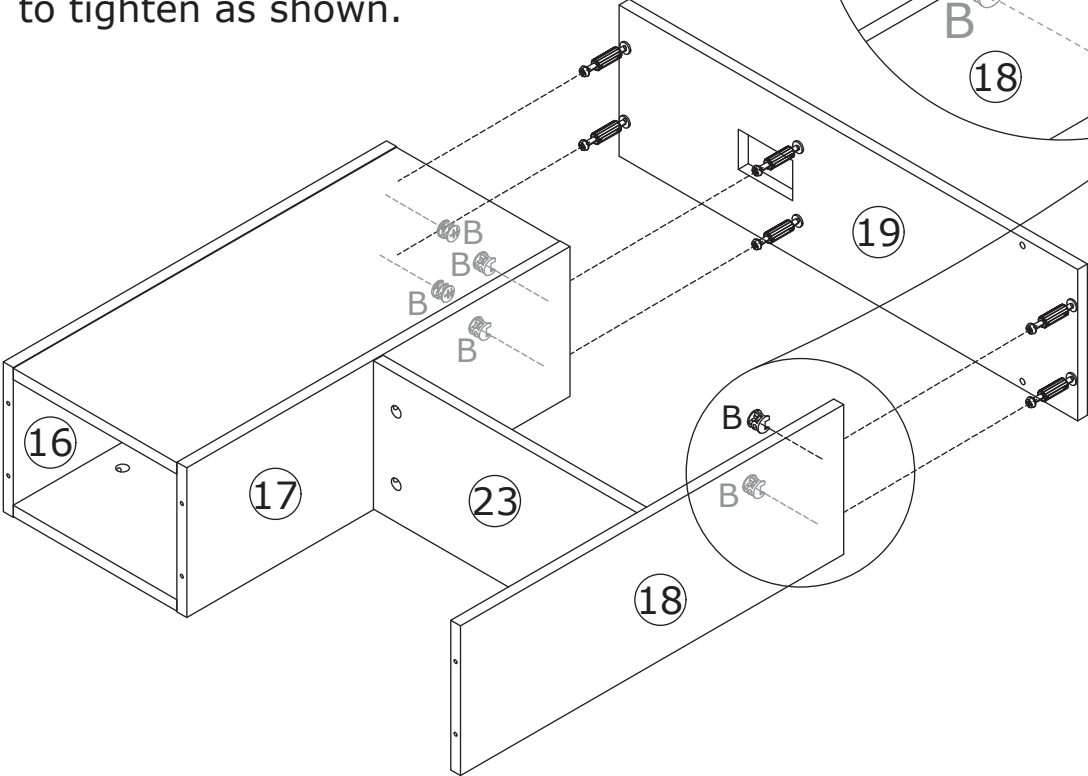
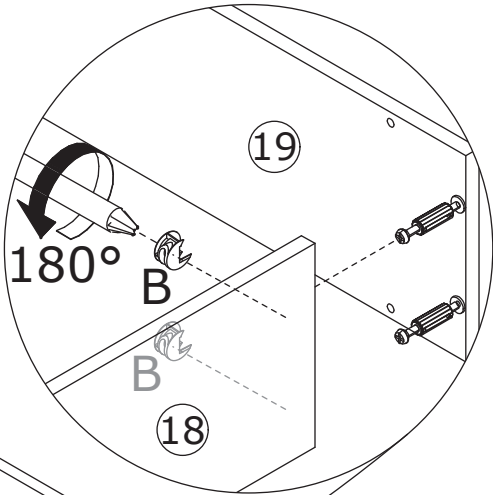


19

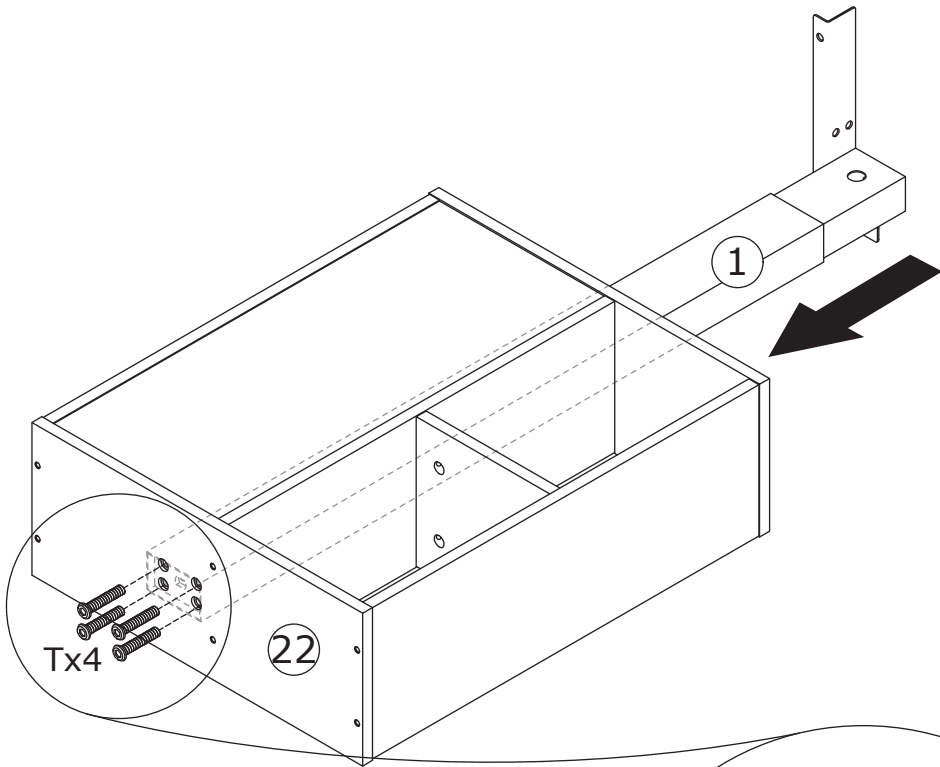
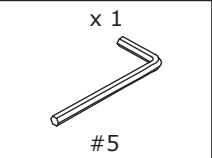
B x 12  
Ø 15 x 10 mm



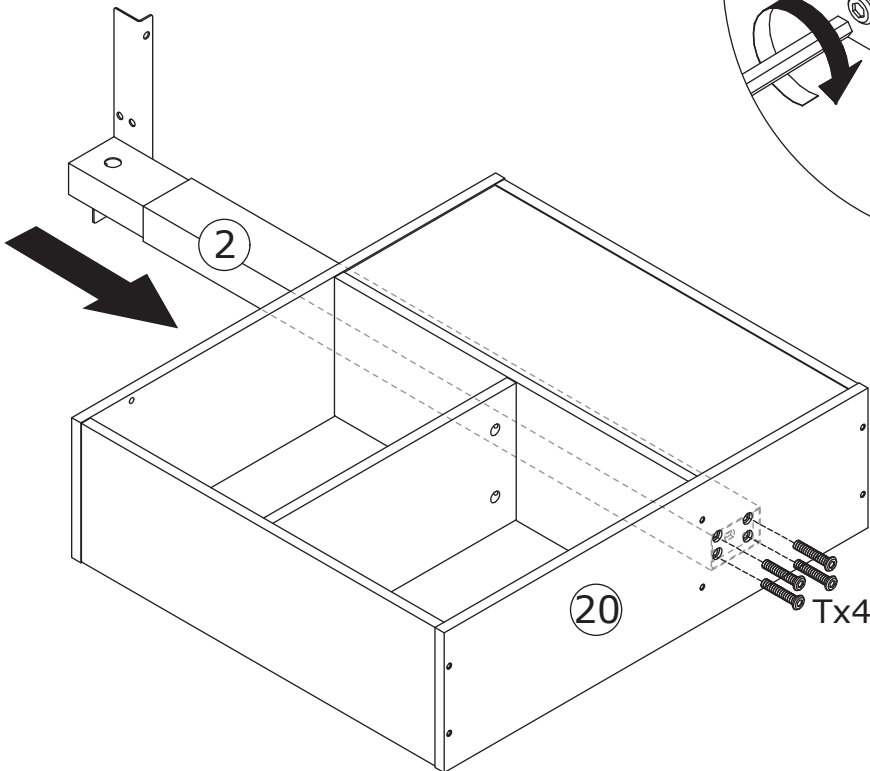
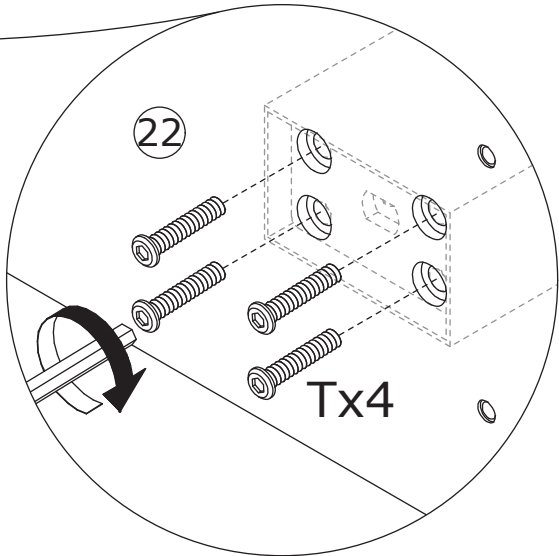
Attach panel 21 and 19 to panel 18, 17 and 16 respectively, add cam lock(B) into and turn clockwise to tighten as shown.



20

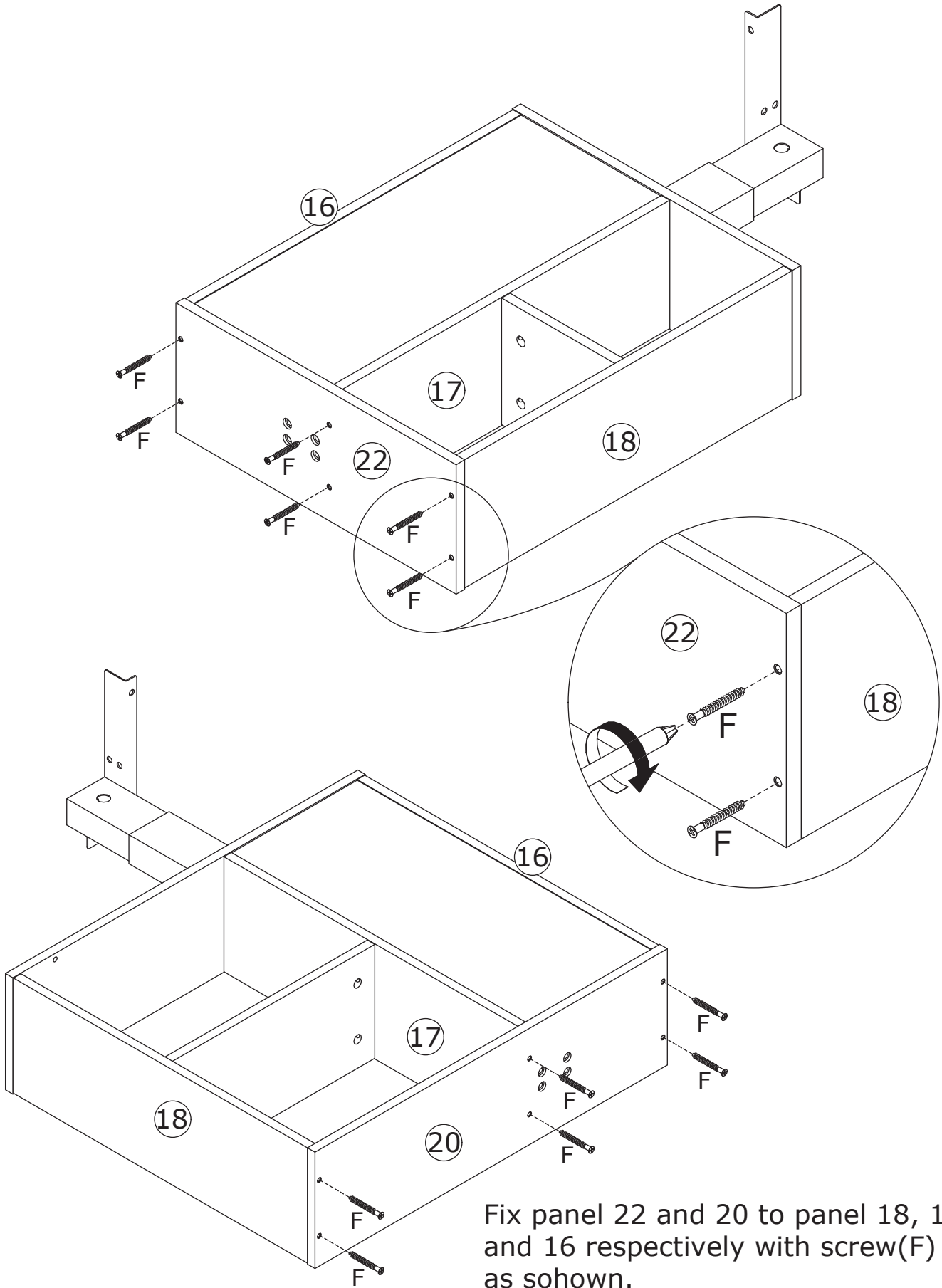
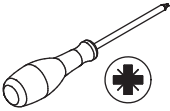


Insert steel leg 2 and 1 into the components and fix with screw(T) as shown.




21

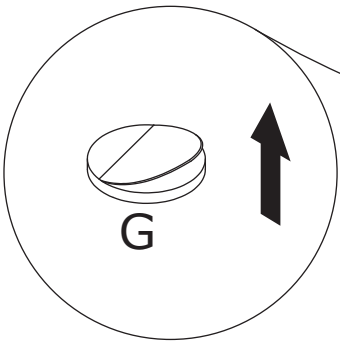
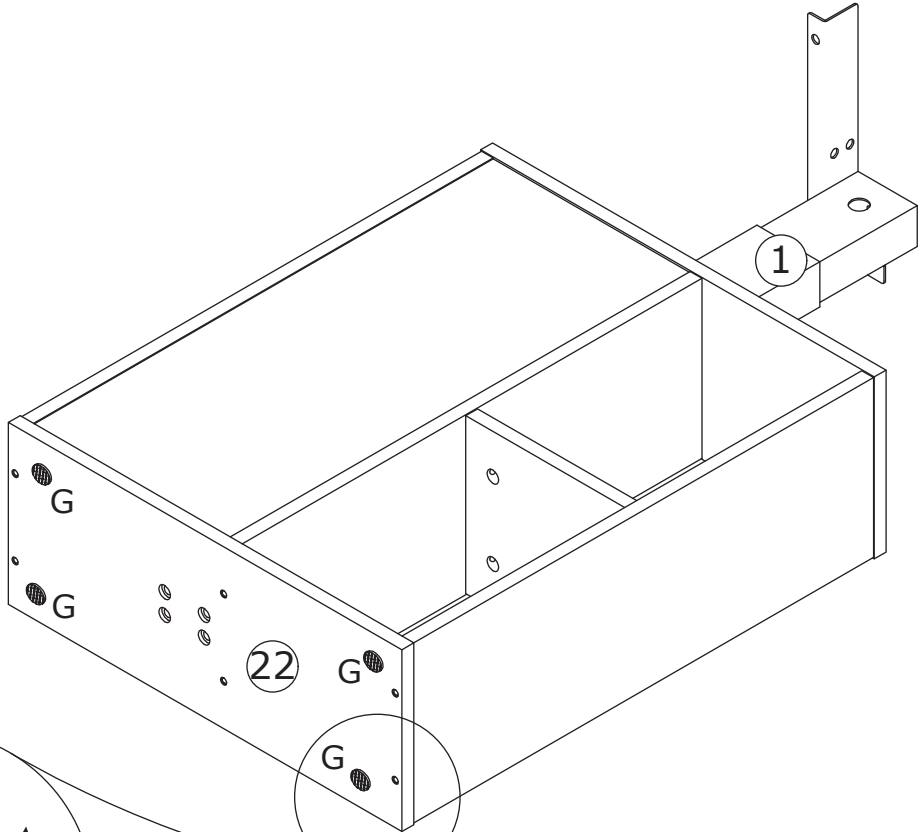
F x 12  
M5 x 40 mm



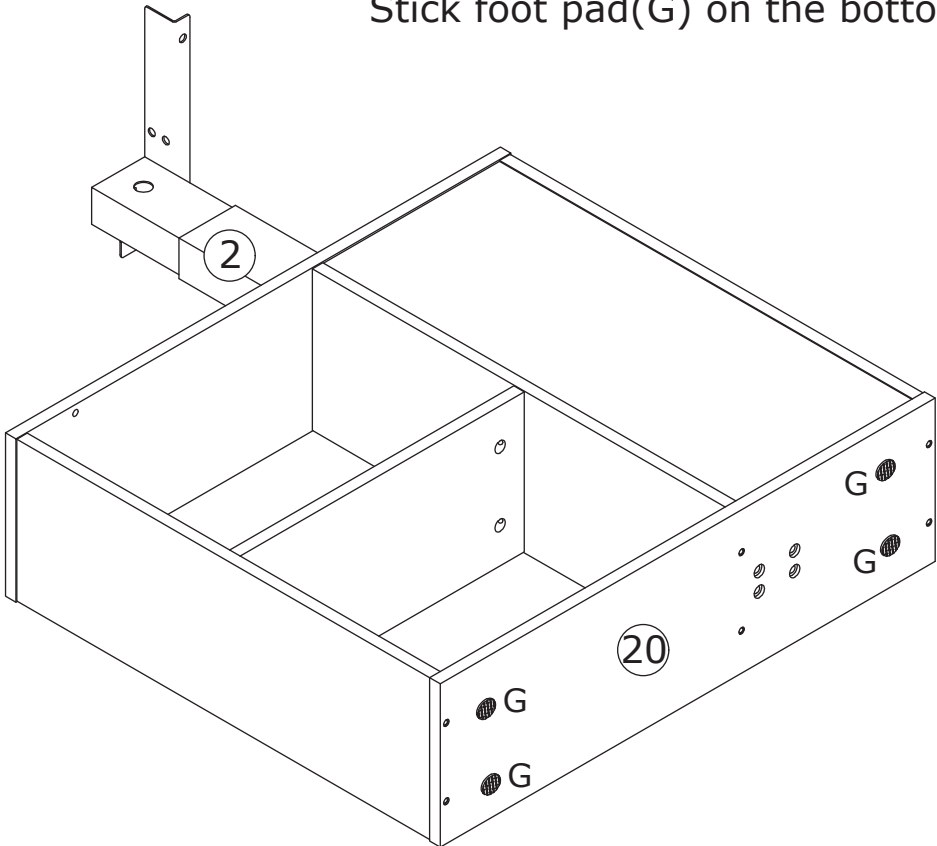
Fix panel 22 and 20 to panel 18, 17 and 16 respectively with screw(F) as shown.

22

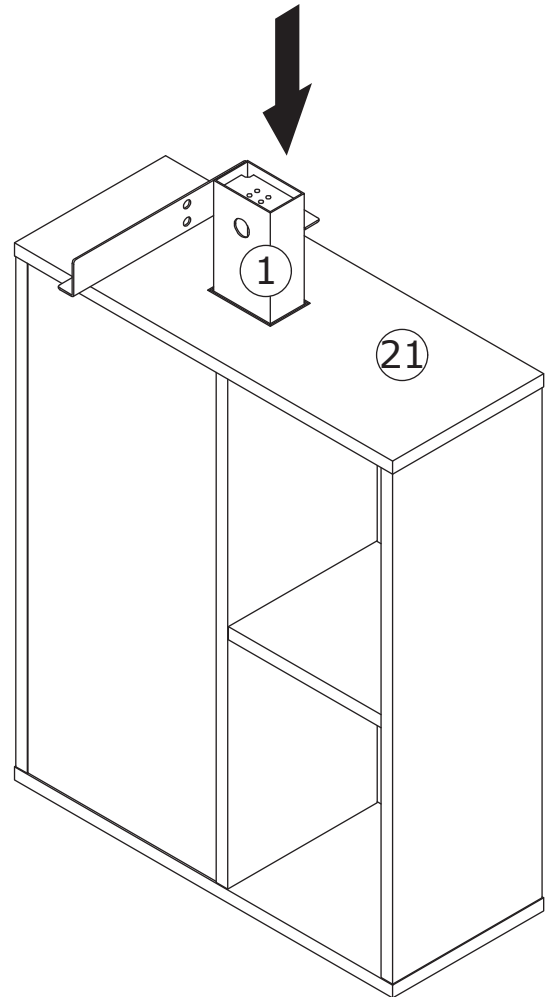
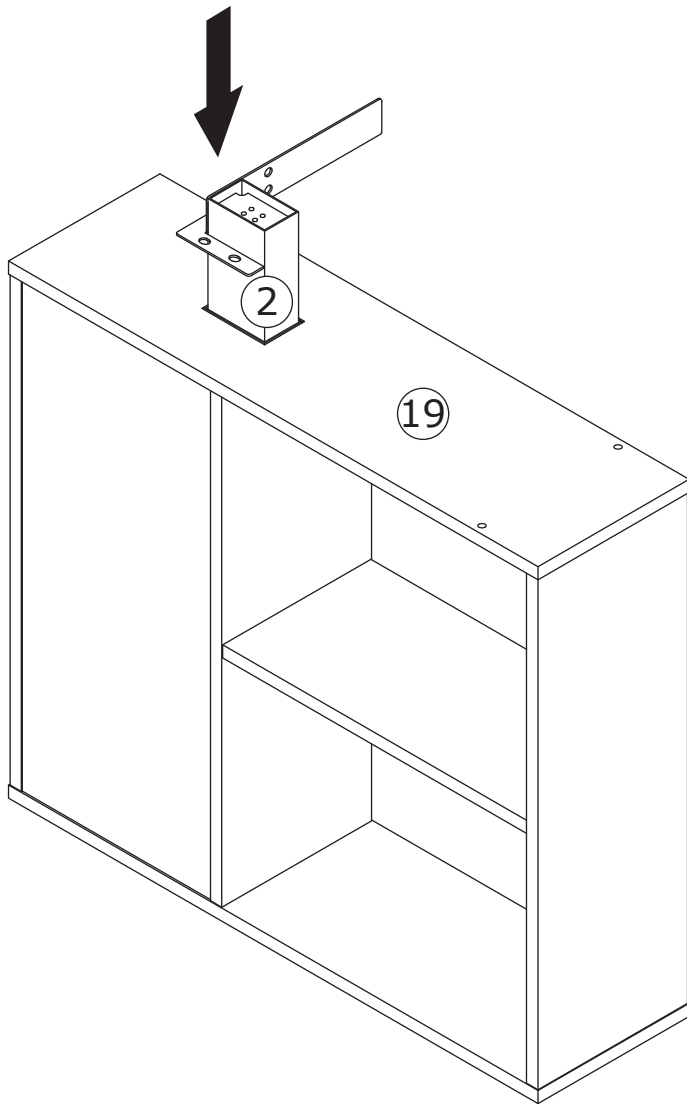
G x 8  
  
Ø30 x 3 mm



Stick foot pad(G) on the bottom.

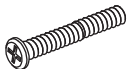



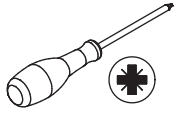


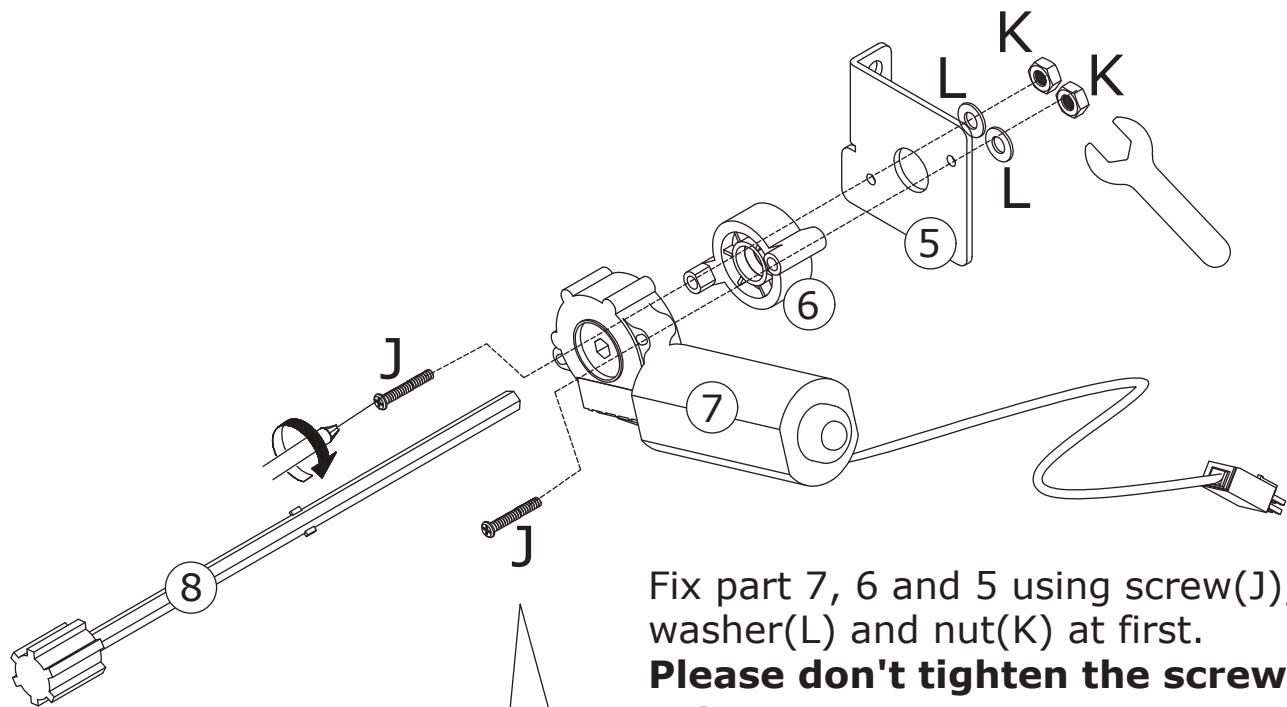
23



Adjust steel leg 2 and 1 to the lowest level at first.

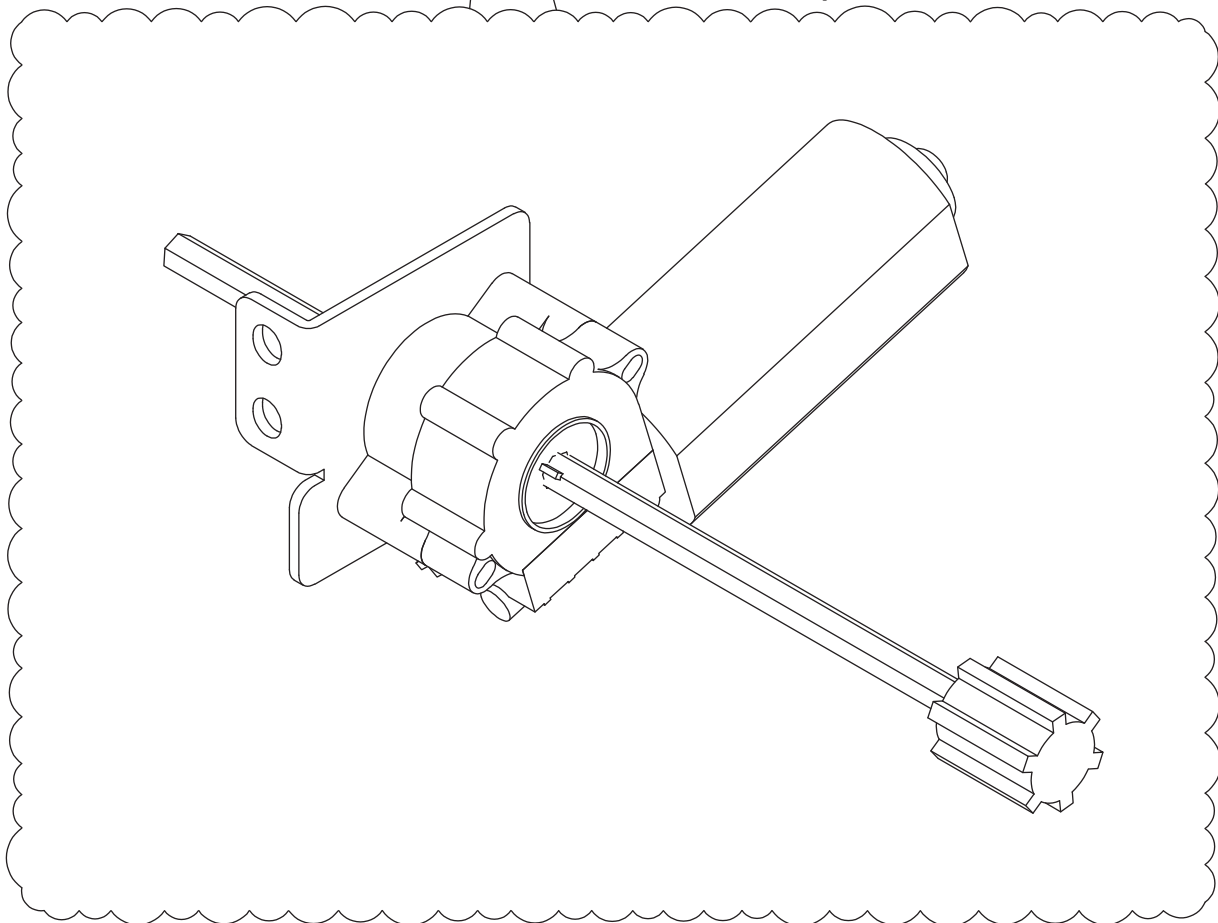
24

J x 2  M4 x 45 mm	K x 2  M4 mm	L x 2  Ø14 x Ø5 x 1 mm	x 1 	
--	---	---	---	---

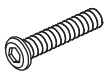


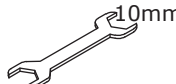


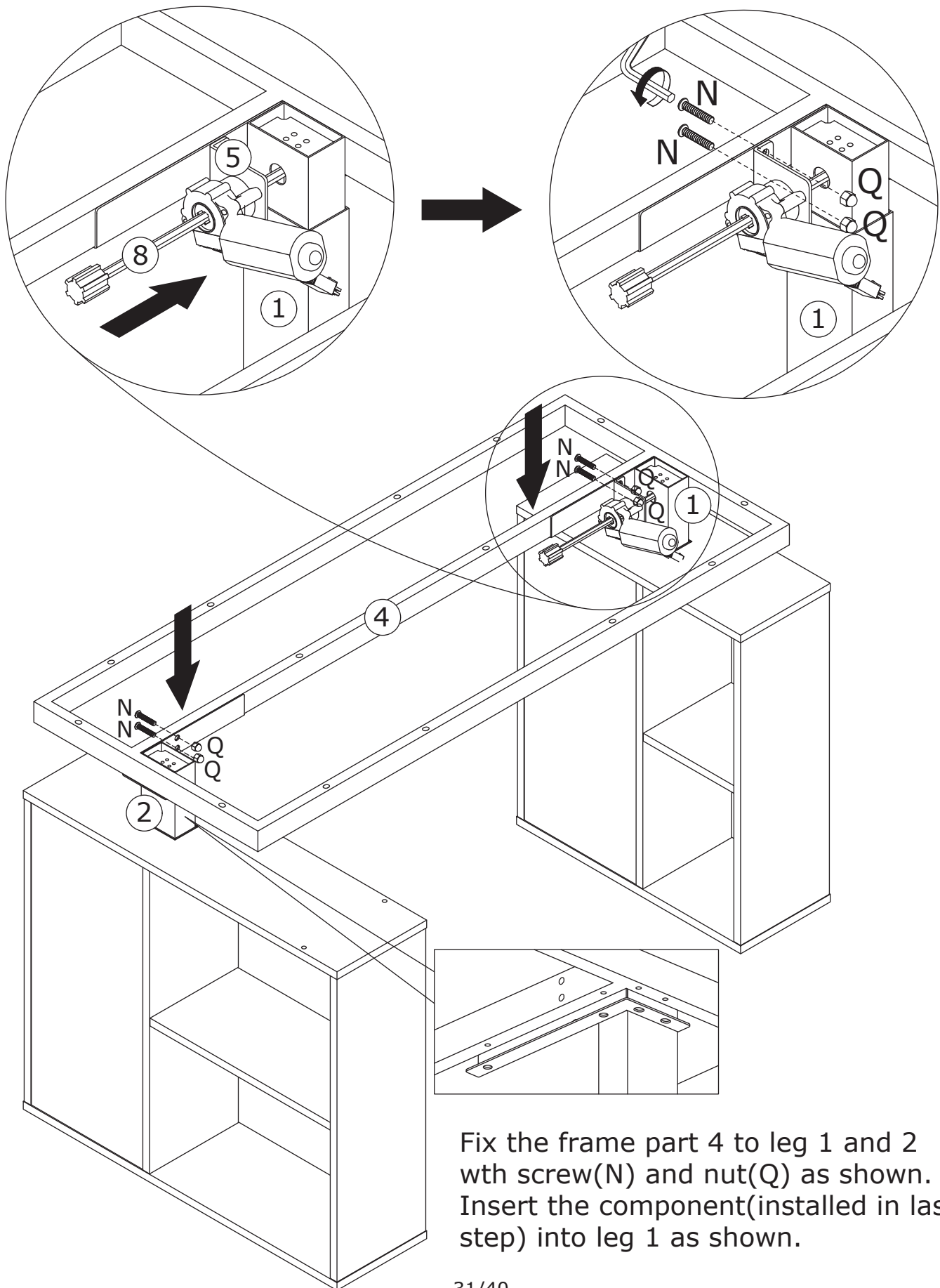
Fix part 7, 6 and 5 using screw(J), washer(L) and nut(K) at first.  
**Please don't tighten the screws yet.**

Insert rod 8 into and tighten the screws fully.



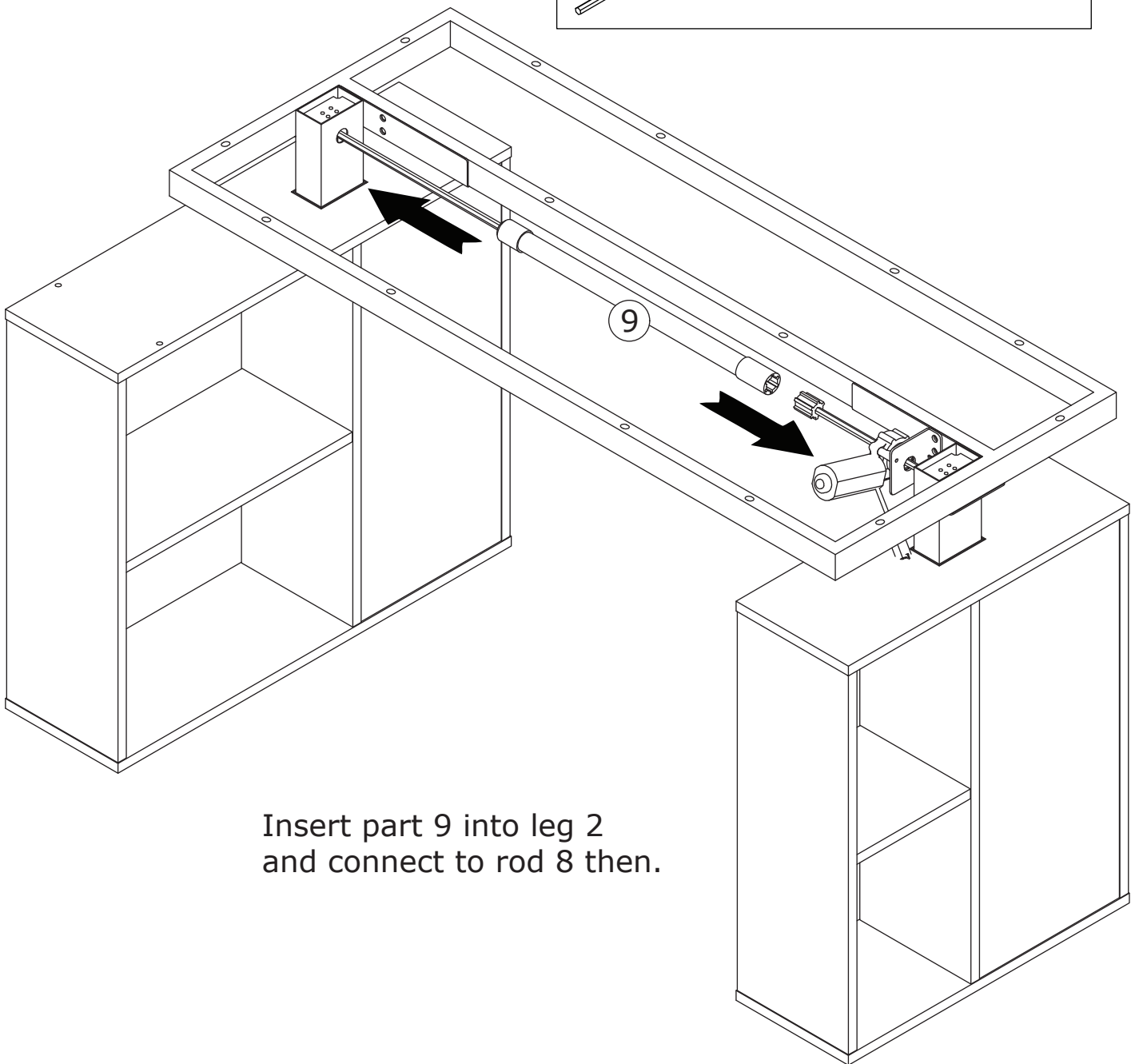
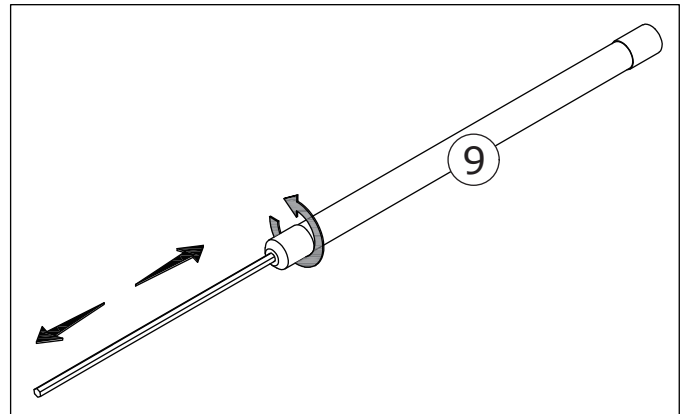
25

N x 4  M6 x 30 mm	Q x 4  M6 mm	x 1  #4	x 1  10mm 12mm	
--	---	--	---	--



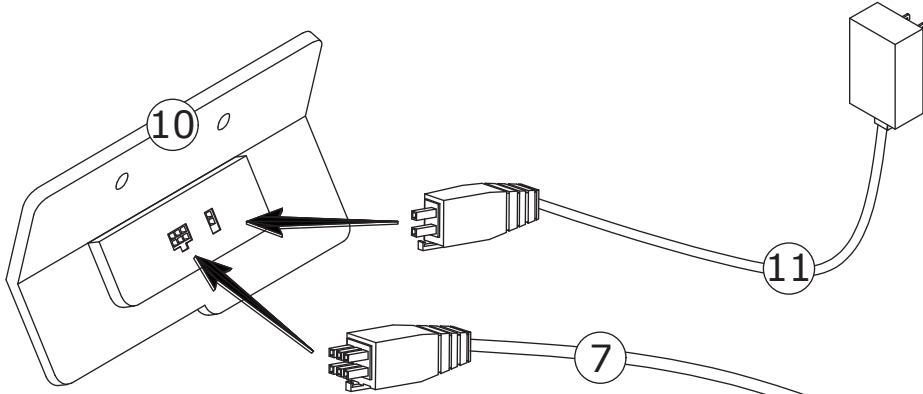
Fix the frame part 4 to leg 1 and 2 with screw(N) and nut(Q) as shown. Insert the component(installed in last step) into leg 1 as shown.

26

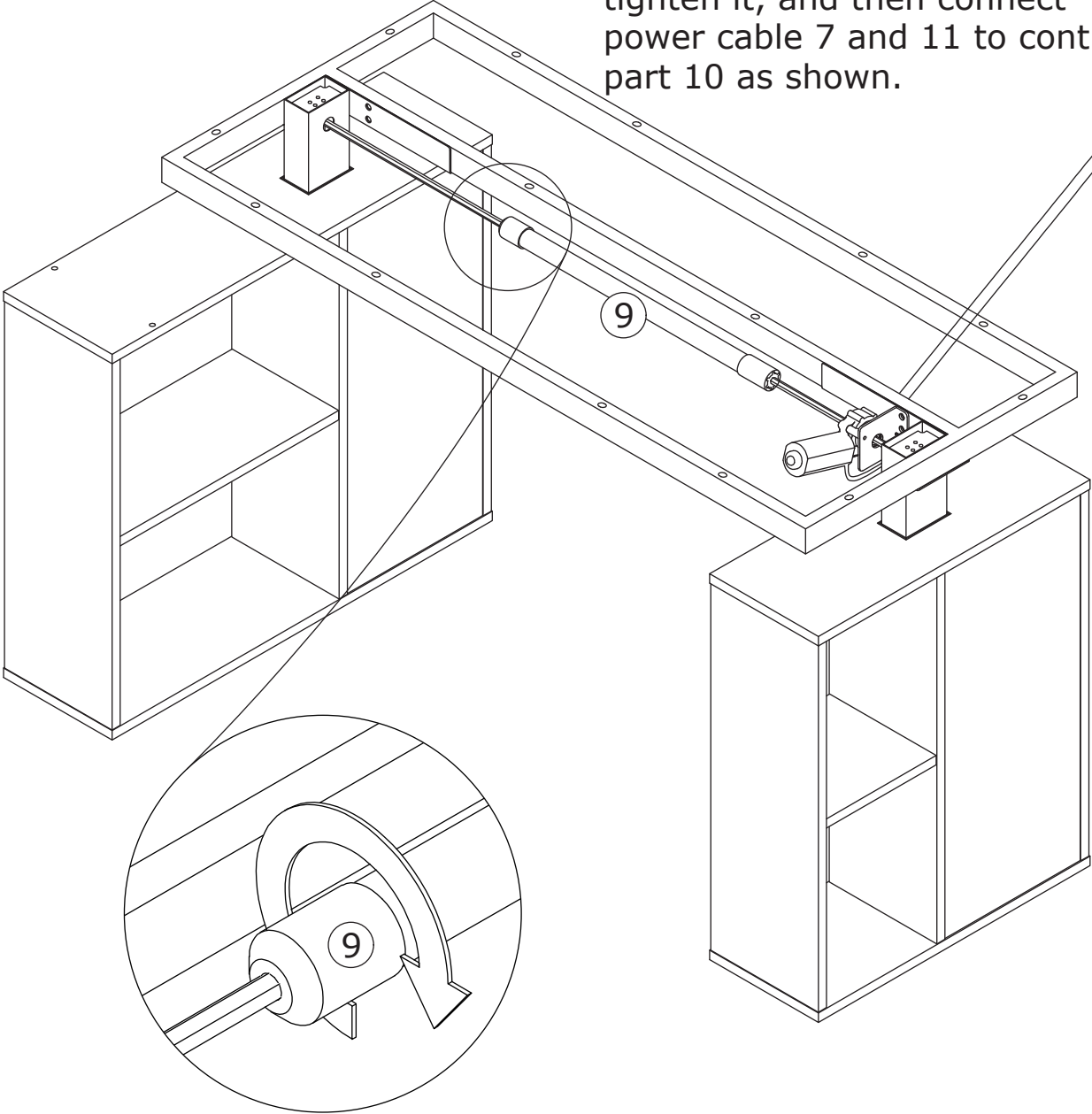


Insert part 9 into leg 2  
and connect to rod 8 then.

27

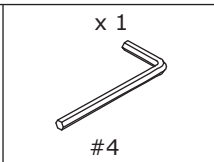
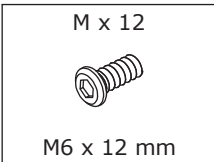


Turn the rod clockwise to tighten it, and then connect power cable 7 and 11 to control part 10 as shown.

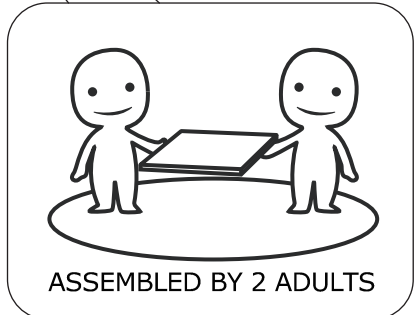
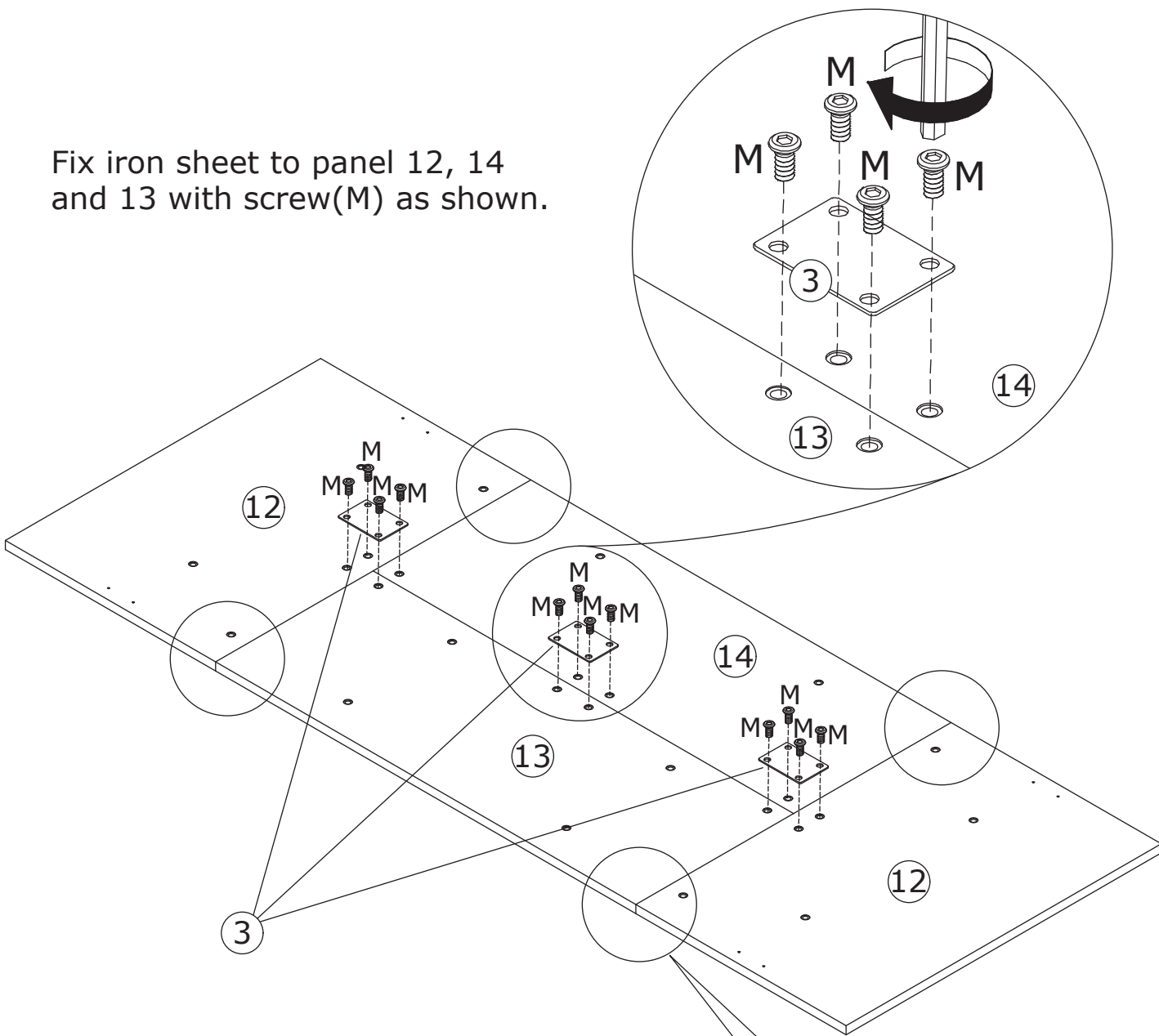




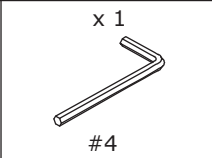
29



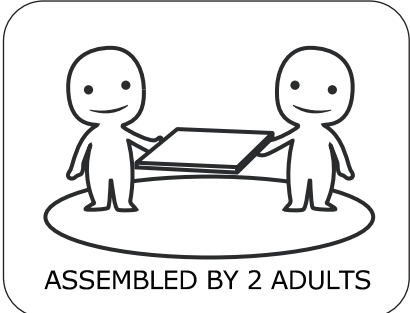
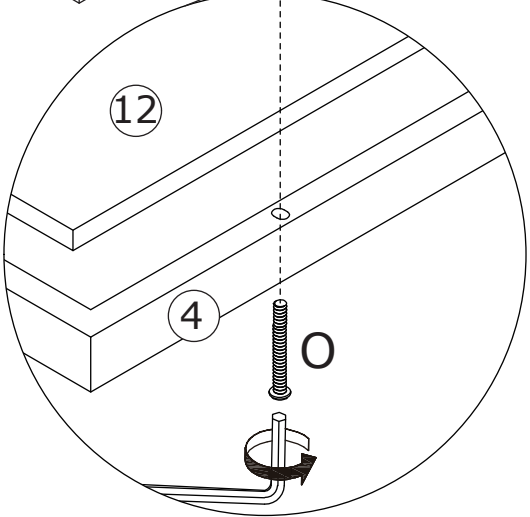
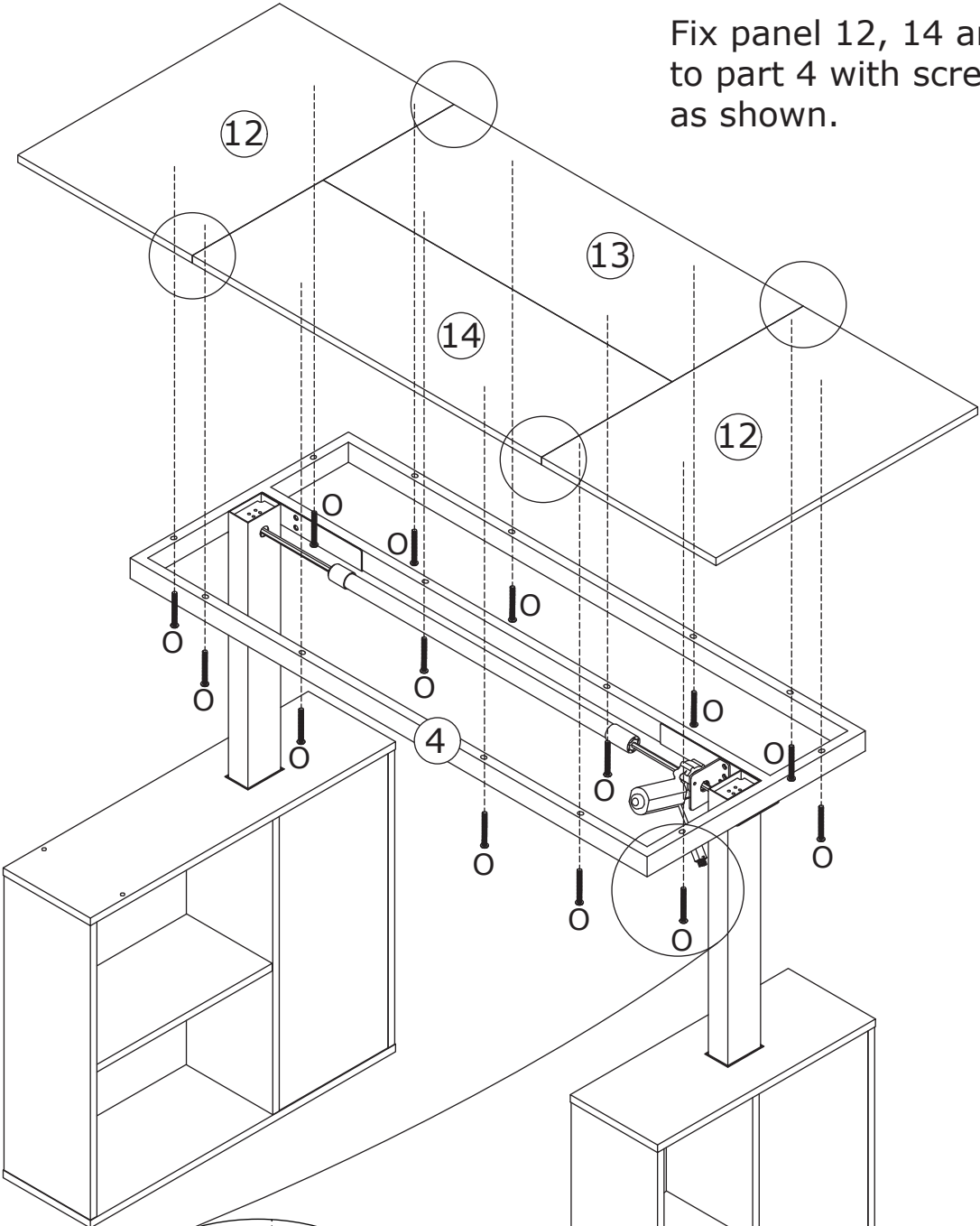
Fix iron sheet to panel 12, 14 and 13 with screw(M) as shown.



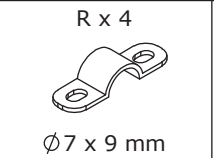
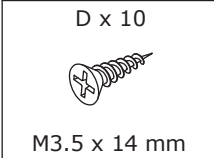
30



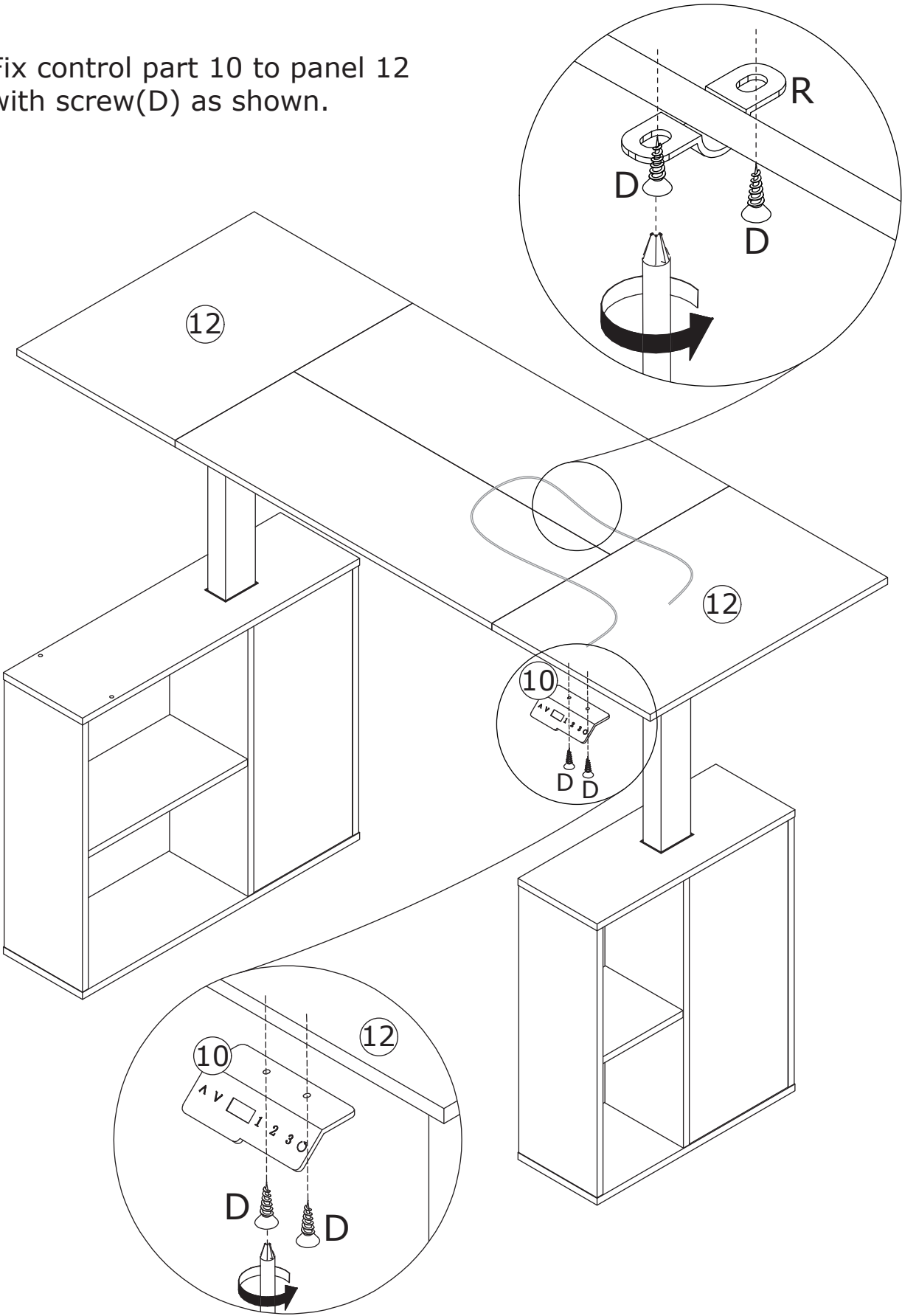
Fix panel 12, 14 and 13 to part 4 with screw(O) as shown.



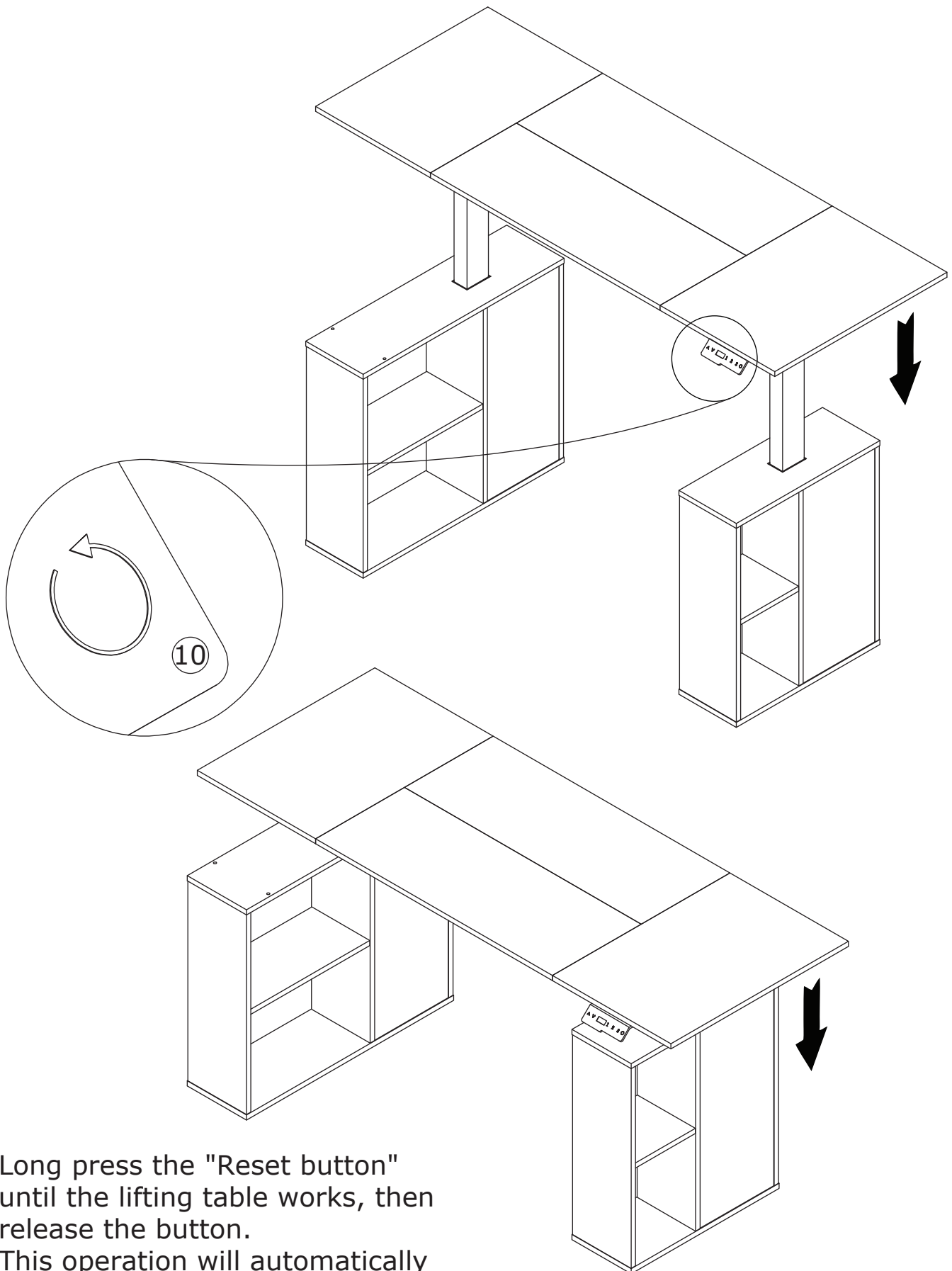
31



Fix control part 10 to panel 12 with screw(D) as shown.



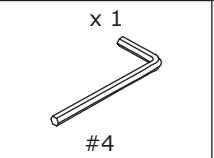
32



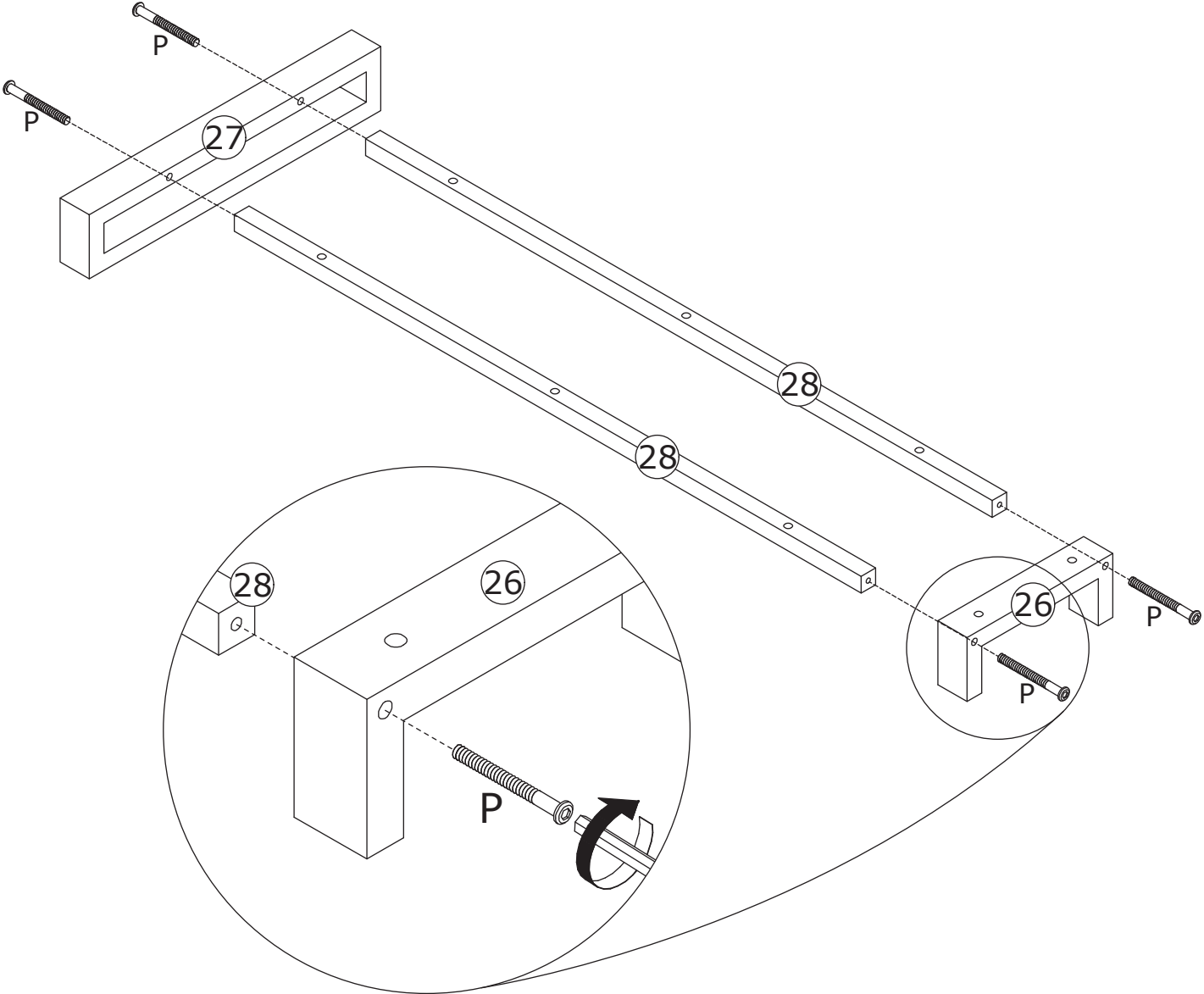
Long press the "Reset button" until the lifting table works, then release the button.

This operation will automatically initialize the lifting height of the table.

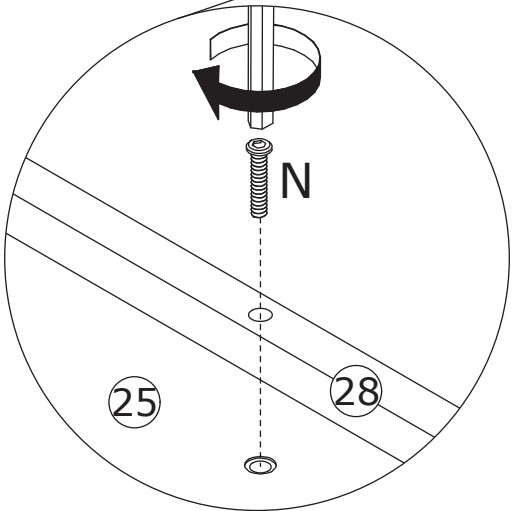
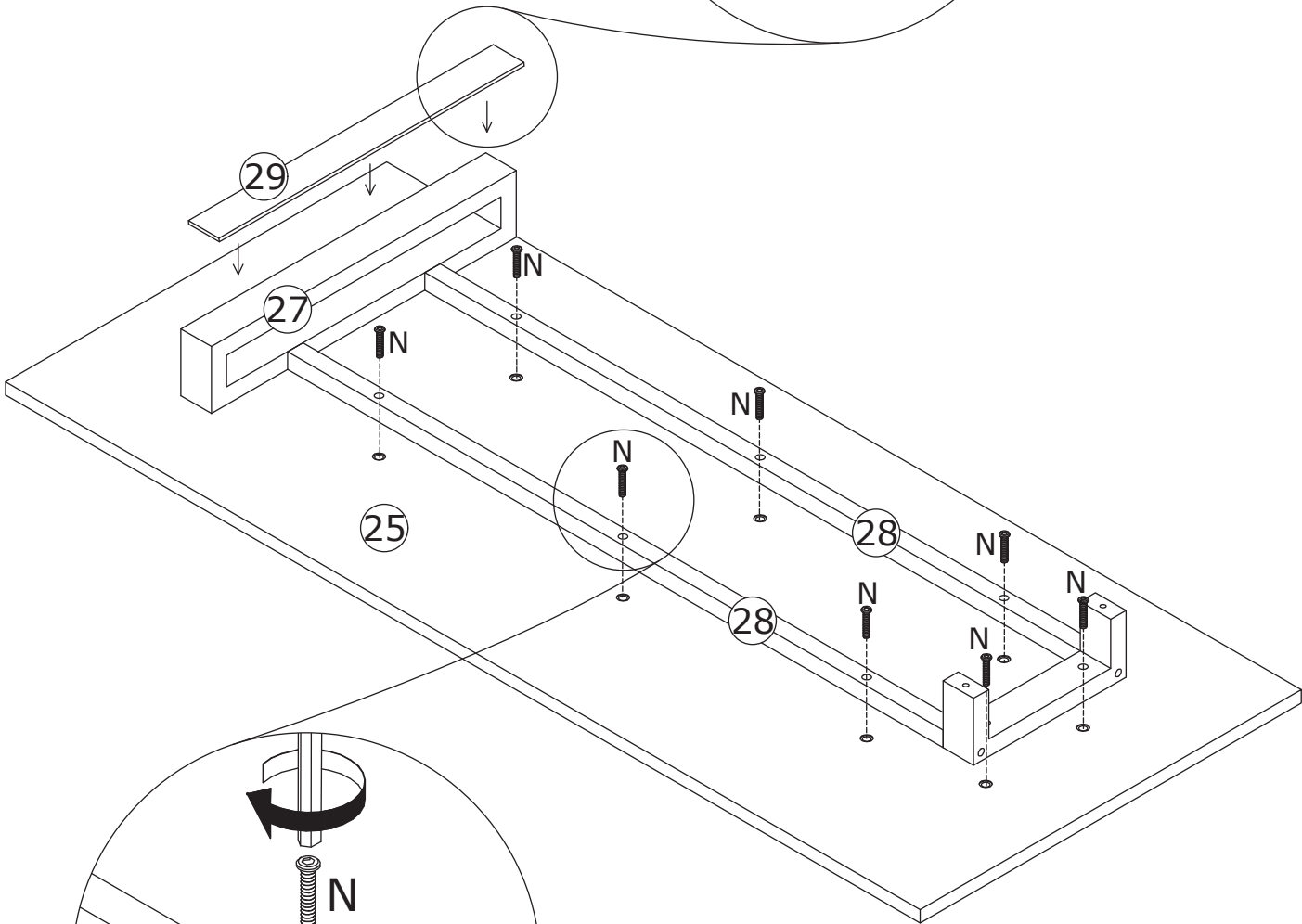
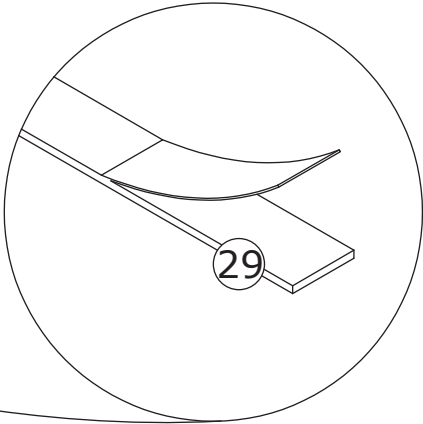
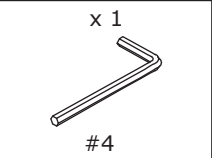
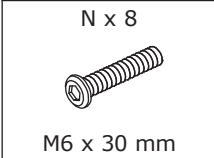
33



Fix tube 28 to part 26 and 27 with screw(P) as shown.

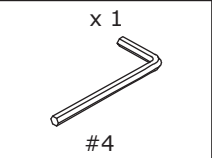


34

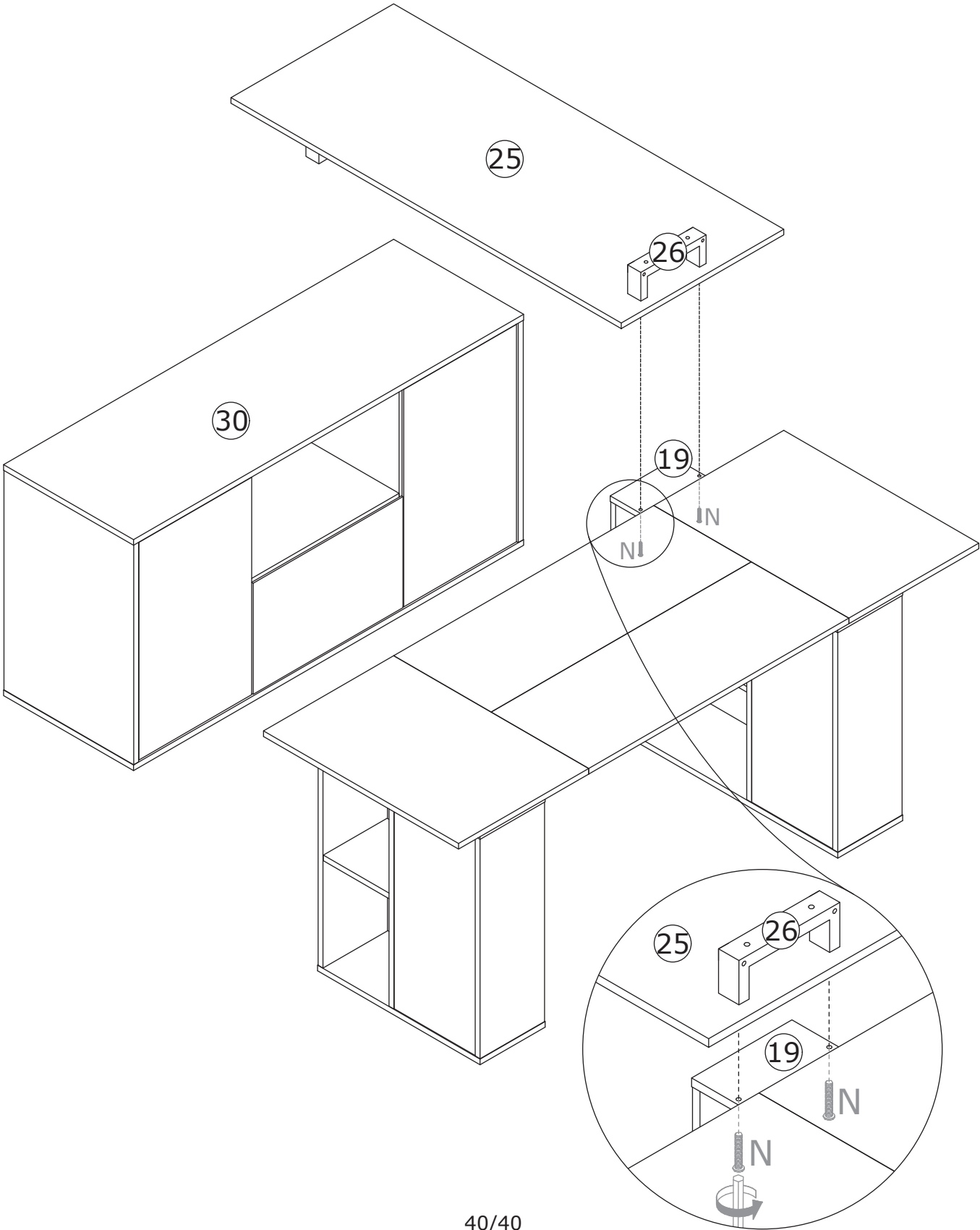


Stick non-slip mat 29 to panel 25.  
Fix tube 28 and 26 to panel 25 with  
screw(N) as shown.

35



Fix part 26 to panel 19 with screw(N) as shown.



# WARRANTY

## WARRANTY CLAIMS

- There is a 30-day warranty for broken furniture or any other problems that do not work properly. The warranty will start from the date of purchase which must be verified by proof of purchase.
- Before making a claim, we may be able to answer your query, simply call us. Please leave your purchase order number, along with some details of the problem, if you want a replacement part. We will arrange within 48 hours. If there is out of stock, we will reply with a shipping date.
- The product must be used in accordance with the instructions provided. For health reasons.
- For other reasons, if the furniture needs to be returned, it must be cleaned and dried and operated within 30 days of receipt.

## Type of Warranty Claim

- Failure to follow the furniture instructions will invalidate the warranty. Attention please.
- Does not include damage during installation, but includes damage during transportation.

## Scope of responsibility

- Shall not bear any responsibility for misuse or user damage and / or loss of parts during the installation of furniture.
- After using, the damage and scratches of the furniture are not covered by the warranty.

## The Warranty Relates to All Bought in The Us and Covers The Following Areas

- Sheet parts: 1 month from the date of purchase.
- Electrical parts: 1 month from the date of purchase.

# RETURNS

## CHANGED YOUR MIND AND NEED TO RETURN YOU ITEM?

### PLEASE FOLLOW THE BELOW INSTRUCTIONS:

- If you have purchased and have simply changed your mind, follow the retailer's instructions for returns.

### DEFECTIVE ITEMS

- If your item is defective in any way, i.e. it doesn't work but you can't identify why, in the first instance, please call us.

### DAMAGED ITEMS

- If you receive an order with obvious shipping damage from the retailer, then we suggest the delivery is refused. If the delivery has been accepted and then shipping damage is found, please follow the specific instructions advised by the retailer.  
In all circumstances please save all packaging material and paperwork for the order. Please be aware that if you dispose of packaging material or attempt to return the merchandise without contacting the fulfiller, you jeopardise your chances of making a claim, and you may not receive a credit for the return.

### AFTER-SALES CONTACT



[feedbackstation@163.com](mailto:feedbackstation@163.com)



(303)800-6387