

DW-DC55

INSTRUCTION MANUAL

Hello! Please read these important attentions...

Please put a thick carpet on the ground to protect the furniture finish and corners. During the installation process, **DON' T** fasten screws tight 100% at a time.



FORM FOR REPLACING MISSING OR DAMAGED PIECES.

Please email to : customerservice@directwicker.com

Model # of product: _____
Ordered by: _____
Order No.: _____
Delivery date: _____

Were the boxes good when delivery to you Yes / No

Upon receiving the product, were all the parts intact Yes / No

Name: _____

Address: _____

Tel: _____

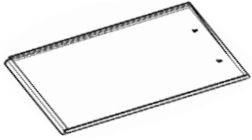
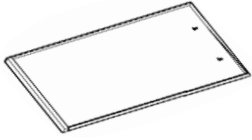
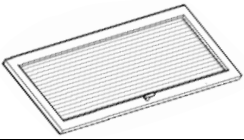
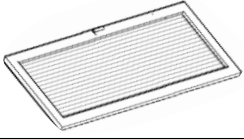
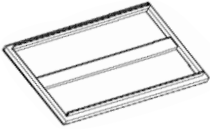
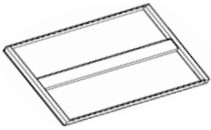
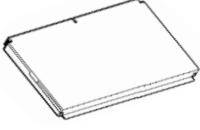
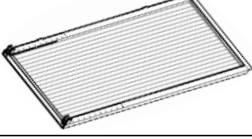

If the product is found damaged after assembly, please provide photos of the entire furniture set and all damaged areas.

Part#	Qty	Description	Missing/Damaged
			M / D
			M / D
			M / D
			M / D

If you do not receive a notification of the replacement parts within 1 week, please email us at customerservice@directwicker.com.





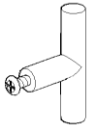




Assembly Instructions

Please read this before you proceed

A		Backplane1	1pc
B		Backplane2	1pc
C		Left door	1pc
D		Right door	1pc
E		Top	1pc
F		Adjustable shelf	2pcs
G		Bottom	1pc
H		Side panel	2pcs
I		Foot	2pcs

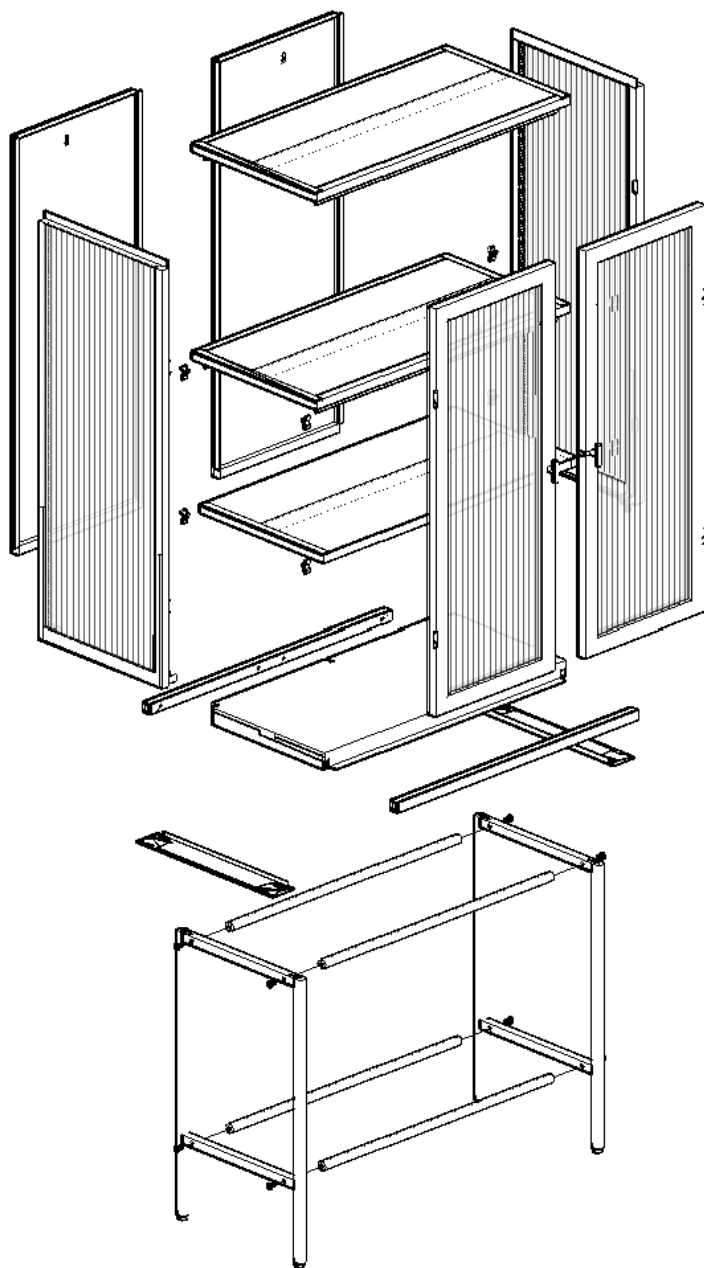
Assembly Instructions

Please read this before you proceed

J		Square pull rod	2pcs
K		Pull rod	4pcs
L		M6*40screw	8pcs
M		Foot connector	2pcs
N		Handle with handle screw	2pcs
O		Expansion screw	2pcs
P		Hanging film	8pcs
Q		Self-tapping screw	30pcs
R		M6*16screw	12pcs

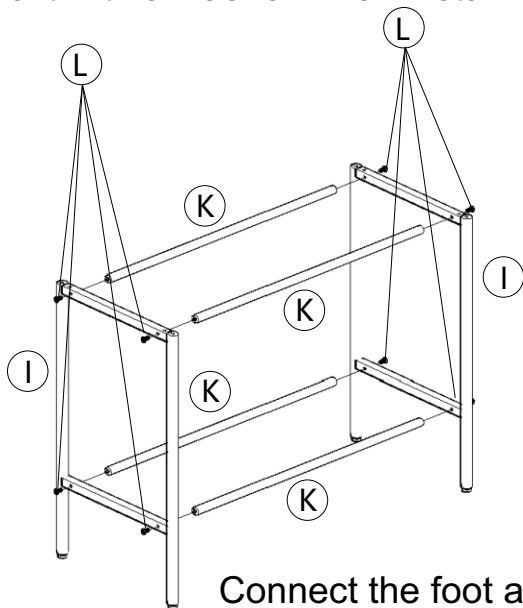
Assembly Instructions

Explosion view



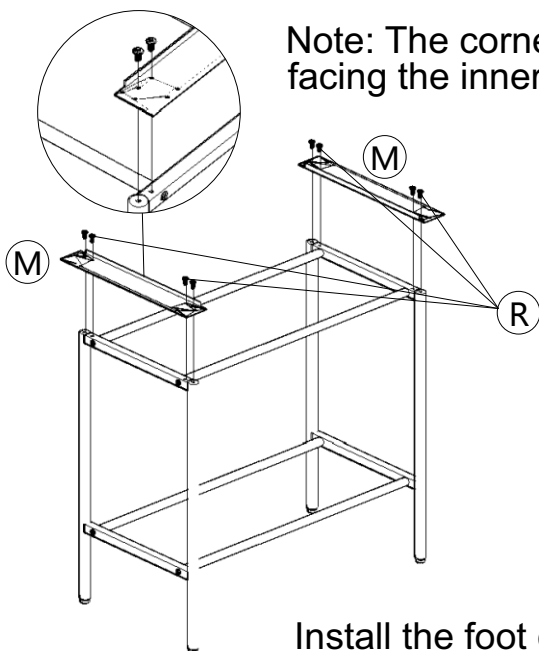
Assembly Instructions

- ① Please use it with a washer when installing M5 screws.



Connect the foot and the pull rod.

②

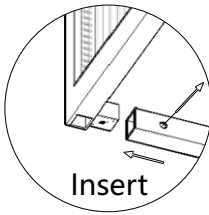


Note: The corner is facing the inner side.

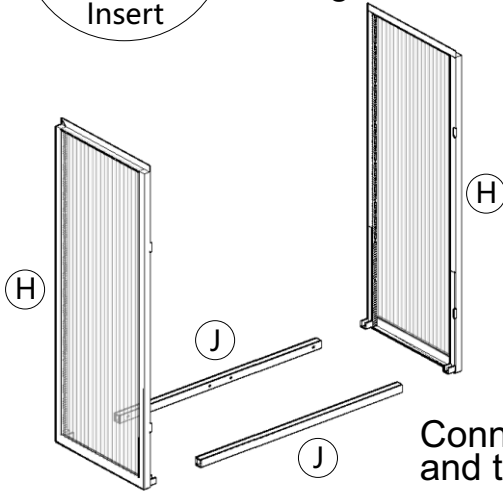
Install the foot connector.

Assembly Instructions

3

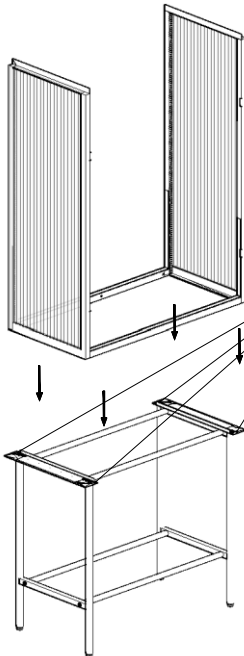


Insert and make sure that the hole of the square pull rod is facing inward.

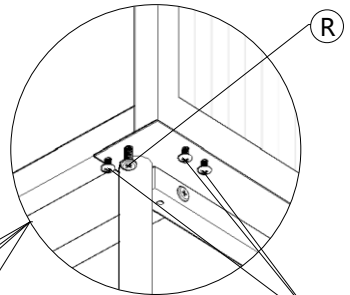


Connect the side panel and the square pull rod.

4



Bottom perspective

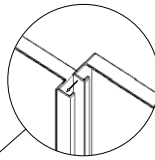


Install the four corners as shown in the figure above.

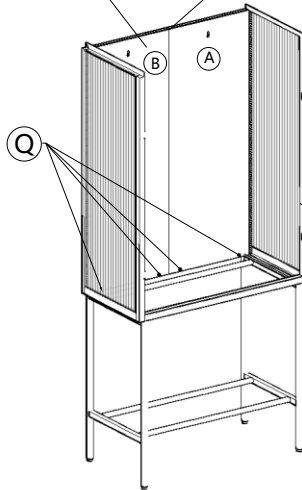
Connect the side panels and feet.

Assembly Instructions

- 5** Make sure that the hanging hole is above when installing the backplate.

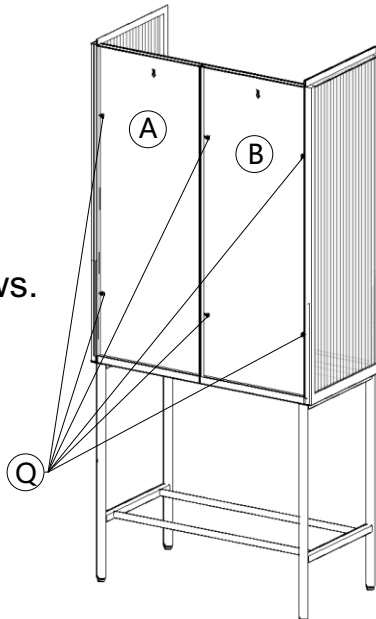


buckle
installation



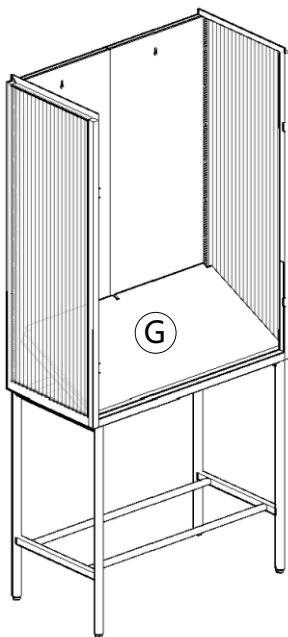
6

Install back screws.



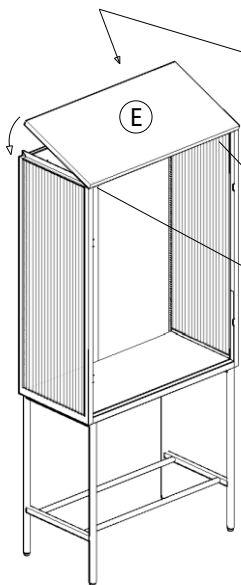
Assembly Instructions

7

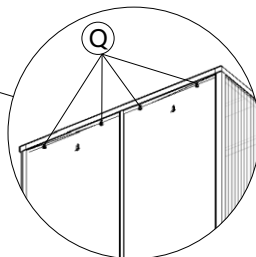


Install the bottom plate and make sure that the front part is inserted diagonally downward when installing.

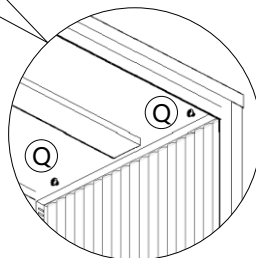
8



Install the top



Connect the screws on the back

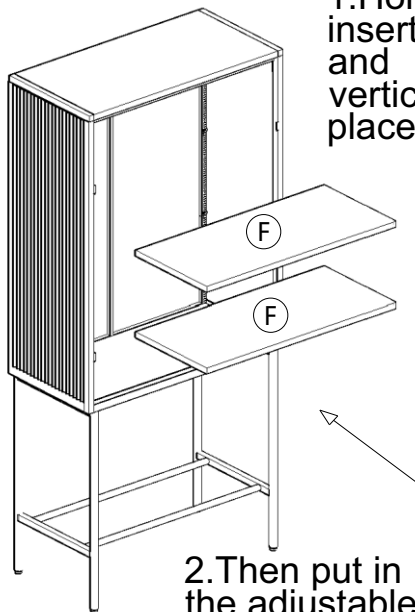


Connect the screws on both sides of the interior.

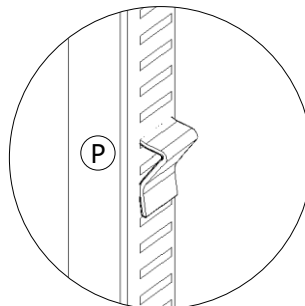
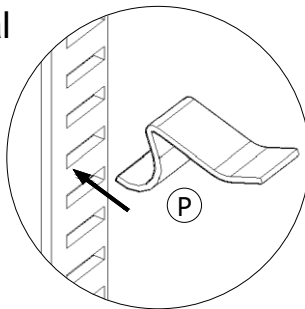
Assembly Instructions

9

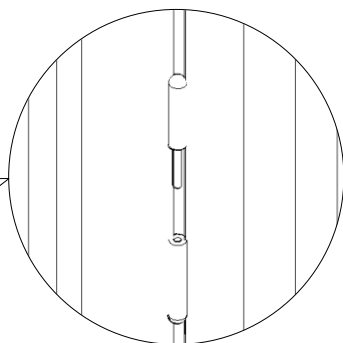
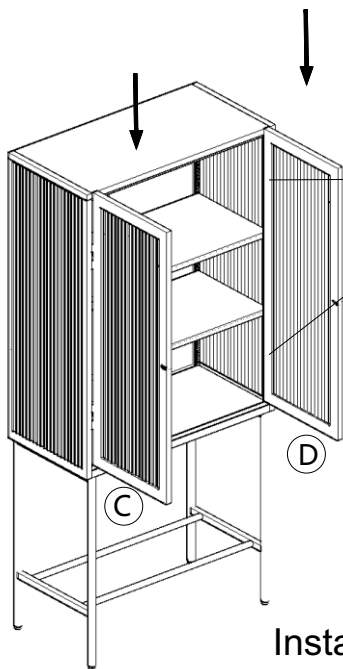
1. Horizontal insertion and vertical placement



2. Then put in the adjustable shelf.



10

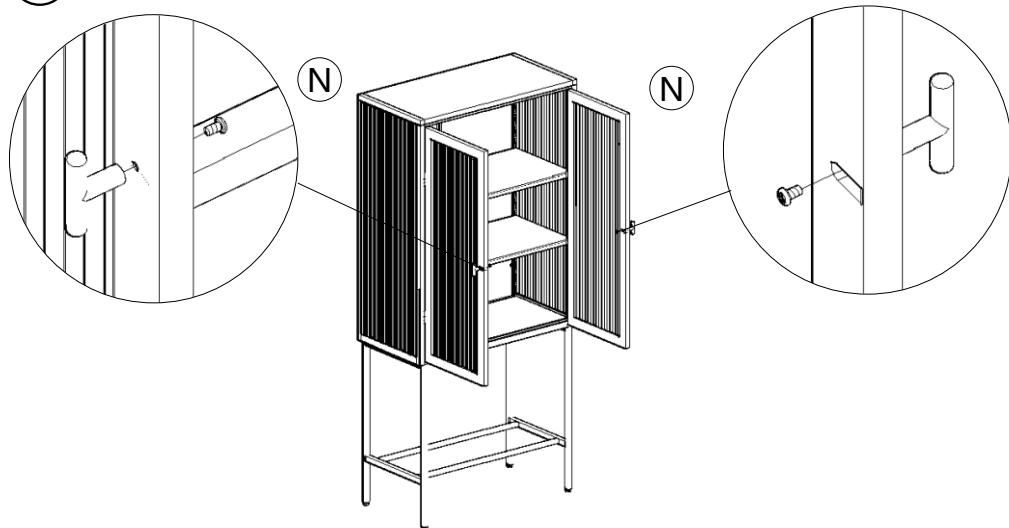


Insert the pin vertically downward.

Install cabinet doors.

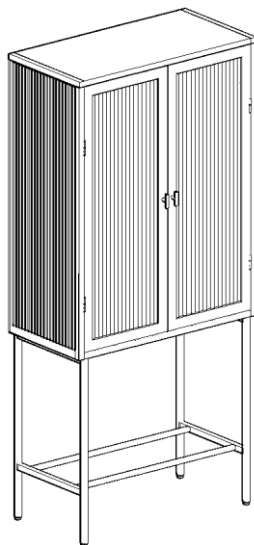
Assembly Instructions

11



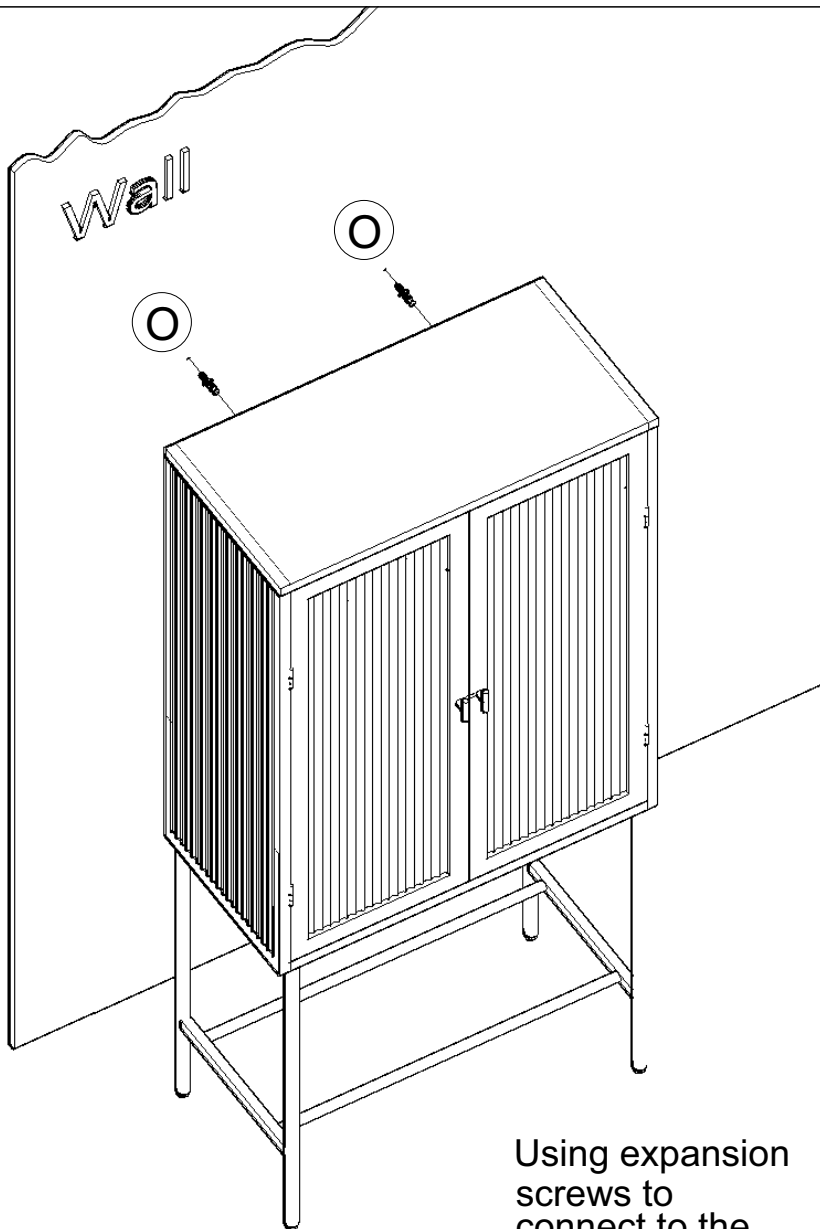
Use the handle screws
to install the handle

12



Assembly Instructions

13



Using expansion screws to connect to the wall can prevent dumping and make it stronger.



Customer Instruction Card

To our most beloved and valued customer:

Thank you for your order, and we appreciate your trust and support.

If you need any assistance or have any questions about your order, please reach our customer service team with your order number at:

Direct Wicker Corp Tel: (813) -304-1389

ET: 9 AM - 5 PM, Monday - Friday

If you would like to know more about Direct Wicker or need to forward documents, you can also reach us at: **customerservice@directwicker.com**

Our team will always be here to help.

Common Questions:

1. Normally the cushion is placed within the ottoman/ chair, please turn it upside down, you may find the cushion.
2. Please do not fully tighten the screws before all parts were assembled successfully, in case the products can not be lined up in position.
3. Furniture sets are mostly delivered in multiple cartons. If the numbers of boxes you received are not correct/missing. Please contact us via phone or email with your order number.
4. Our cushions are considered as shower proof, and we recommend that when the furniture set is not in use , cover it with a furniture cover or store it in dry place.
5. Always be careful when cleaning or handling glass (Always wear gloves and read the instructions of any household cleaner.) We do not advise placing hot objects such as tea or coffee pots directly onto the surface of the glass, always use coasters.
6. If you would like to return the order, be sure to also return any accessories and packing slips that came with your original package.

Thank you for your understanding and cooperation, we wish you a fantastic shopping experience with us, and we are looking forward to serving you again!

Direct Wicker Team

A stylized illustration of a hand holding a bouquet of flowers. The bouquet consists of several stems with small, colorful flowers in shades of pink, red, and light blue. The hand is shown from the side, holding the bouquet from the bottom.

Your Home Our Passion



For more information, please visit our website:
www.directwicker.com