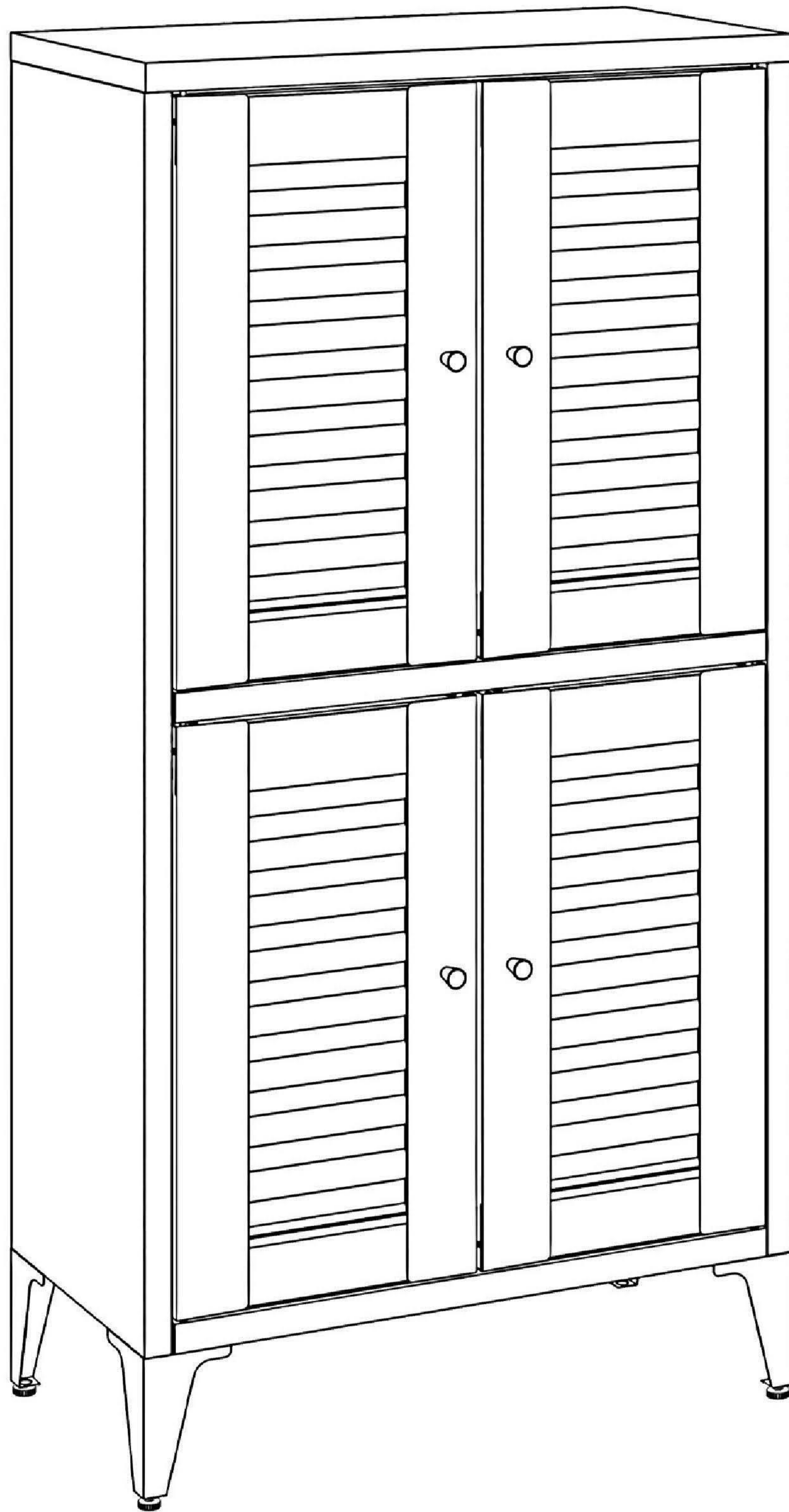
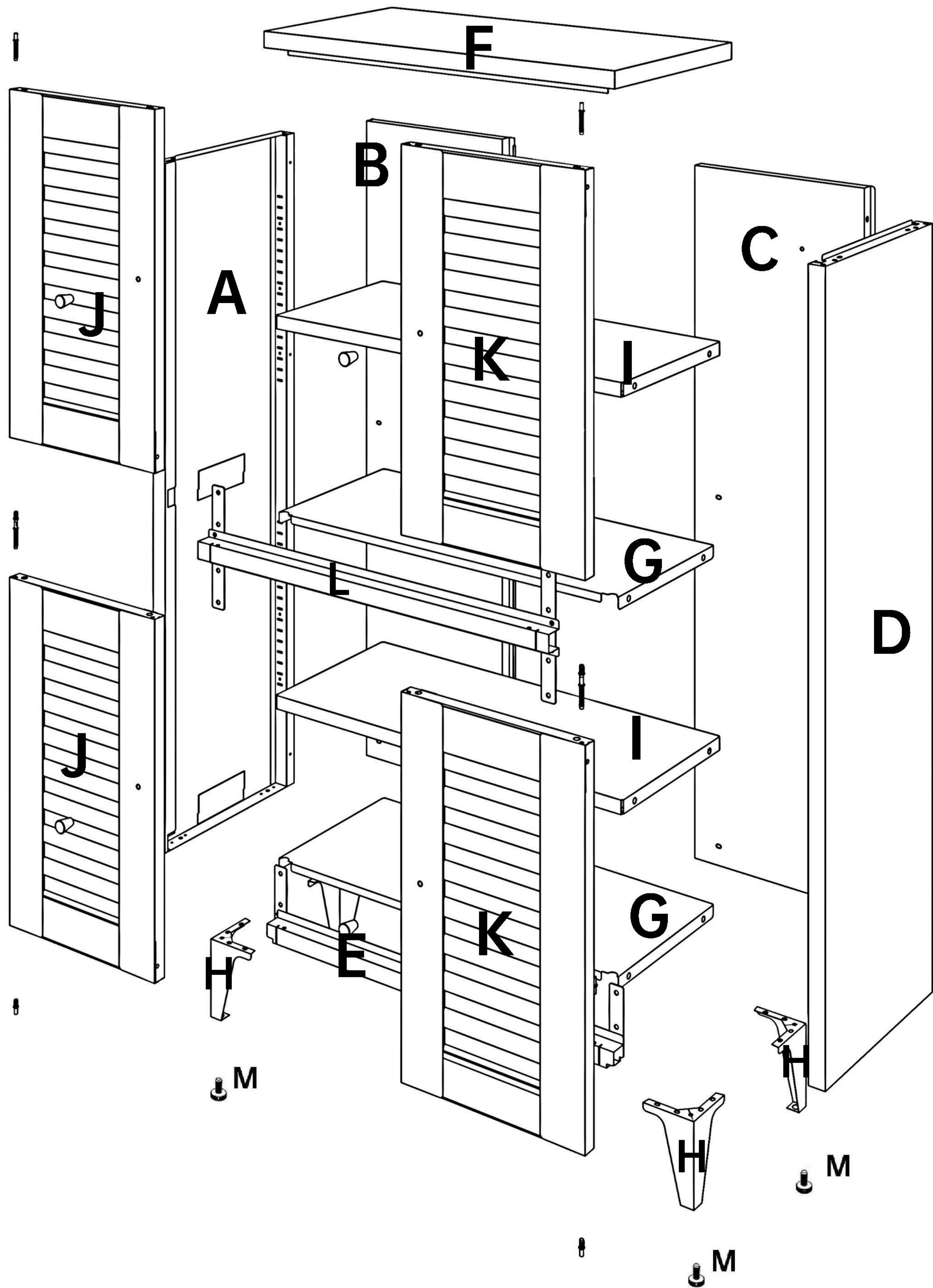


Installation & Assembly





CAUTION

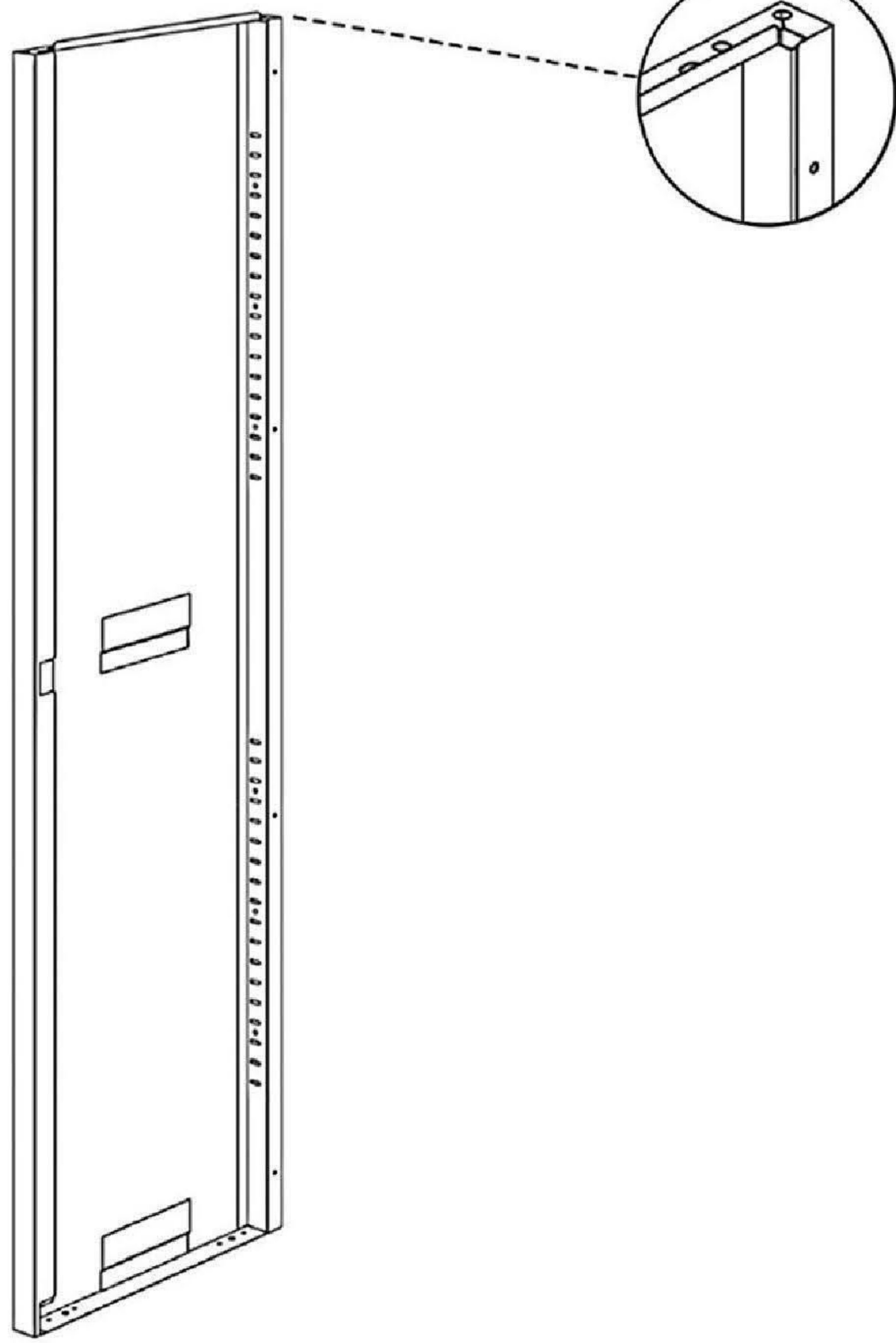
An assistant is required

CUSTOMER FIRST, SERVICE FOREMOST!
Questions? Issues?
CONTACT US
REPLY WITHIN 24 HOURS IN BUSINESS DAYS

Accessories

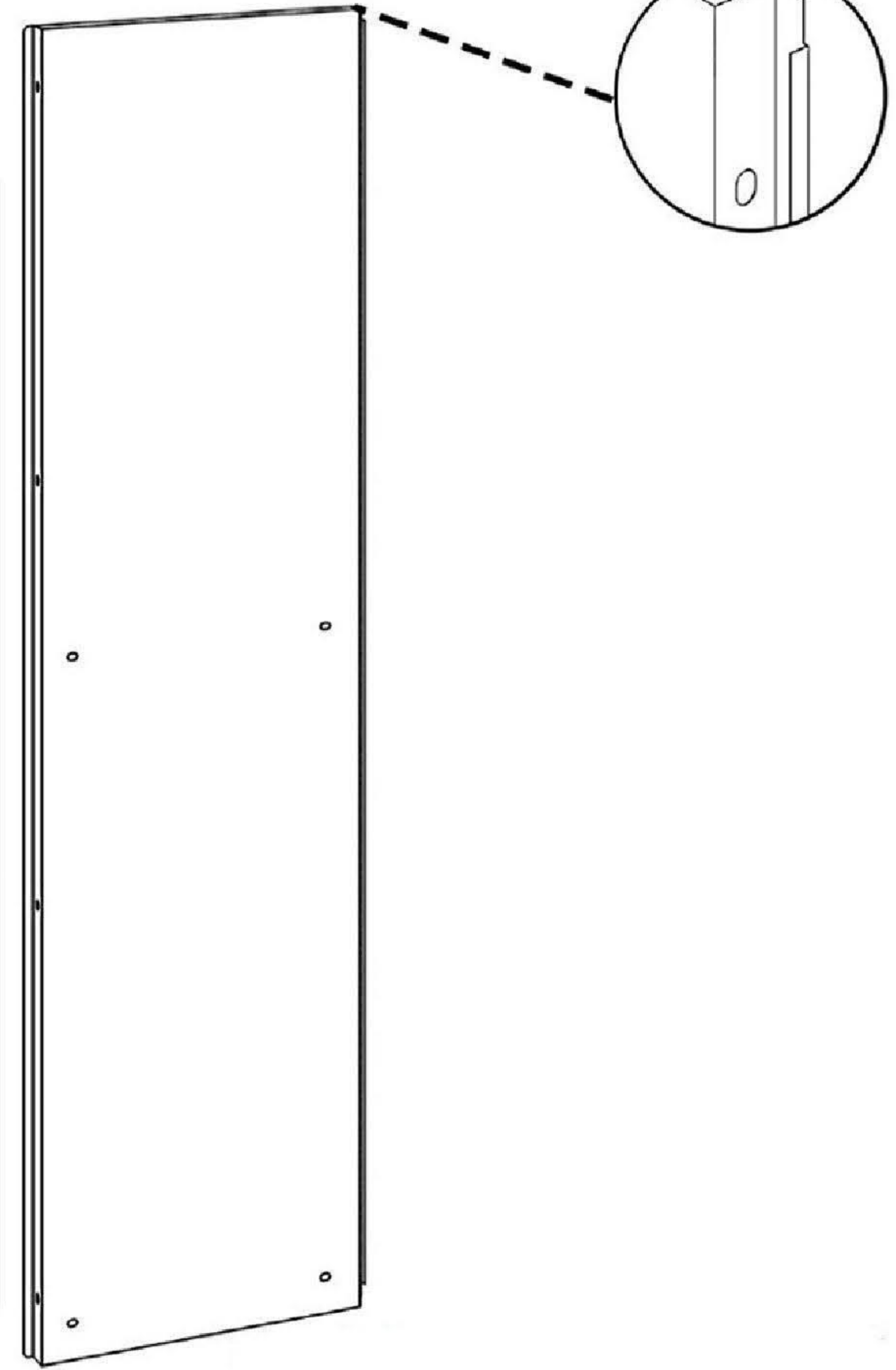
A-Left Side Panel

1PC



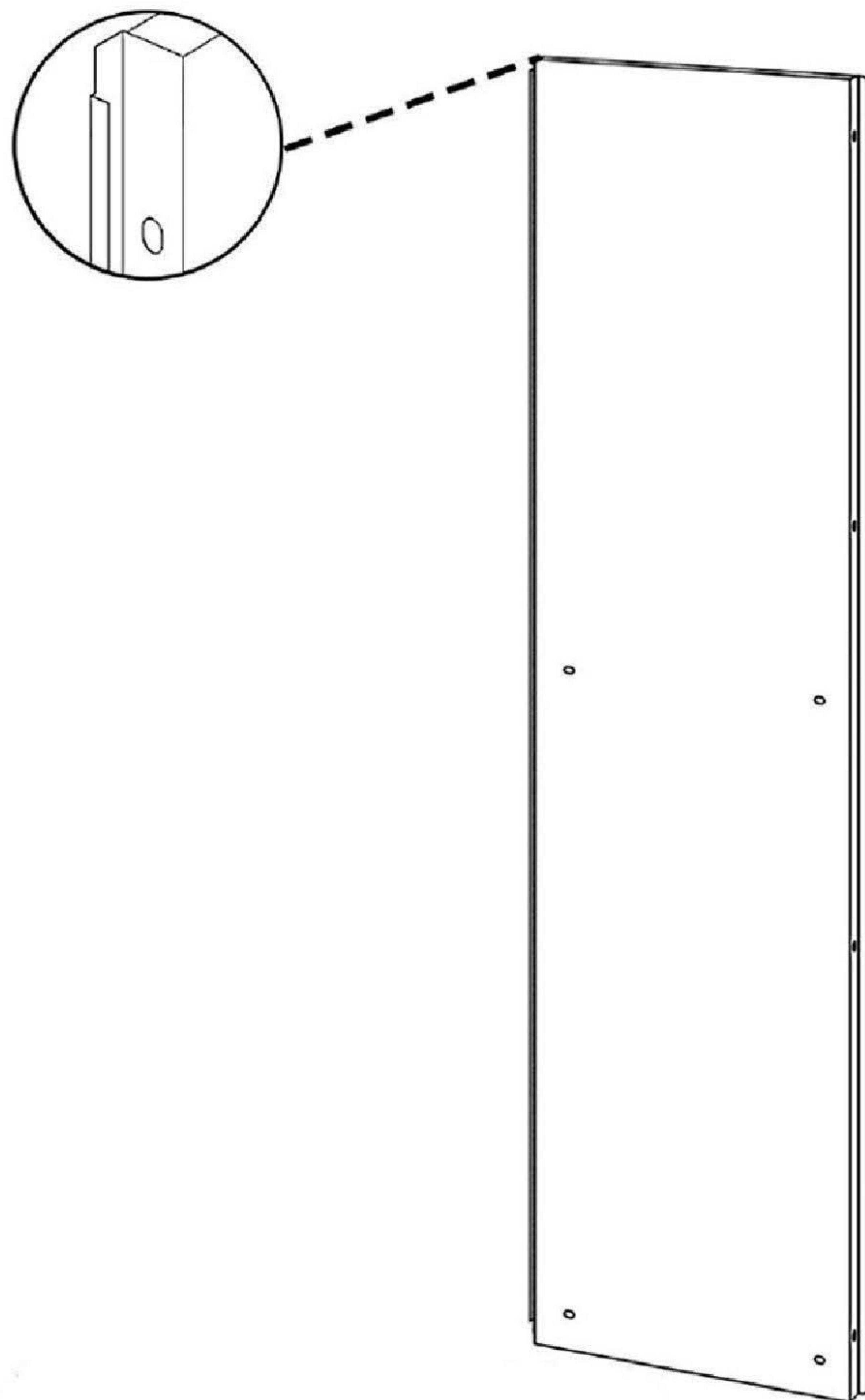
B-Left Back Panel

1PC



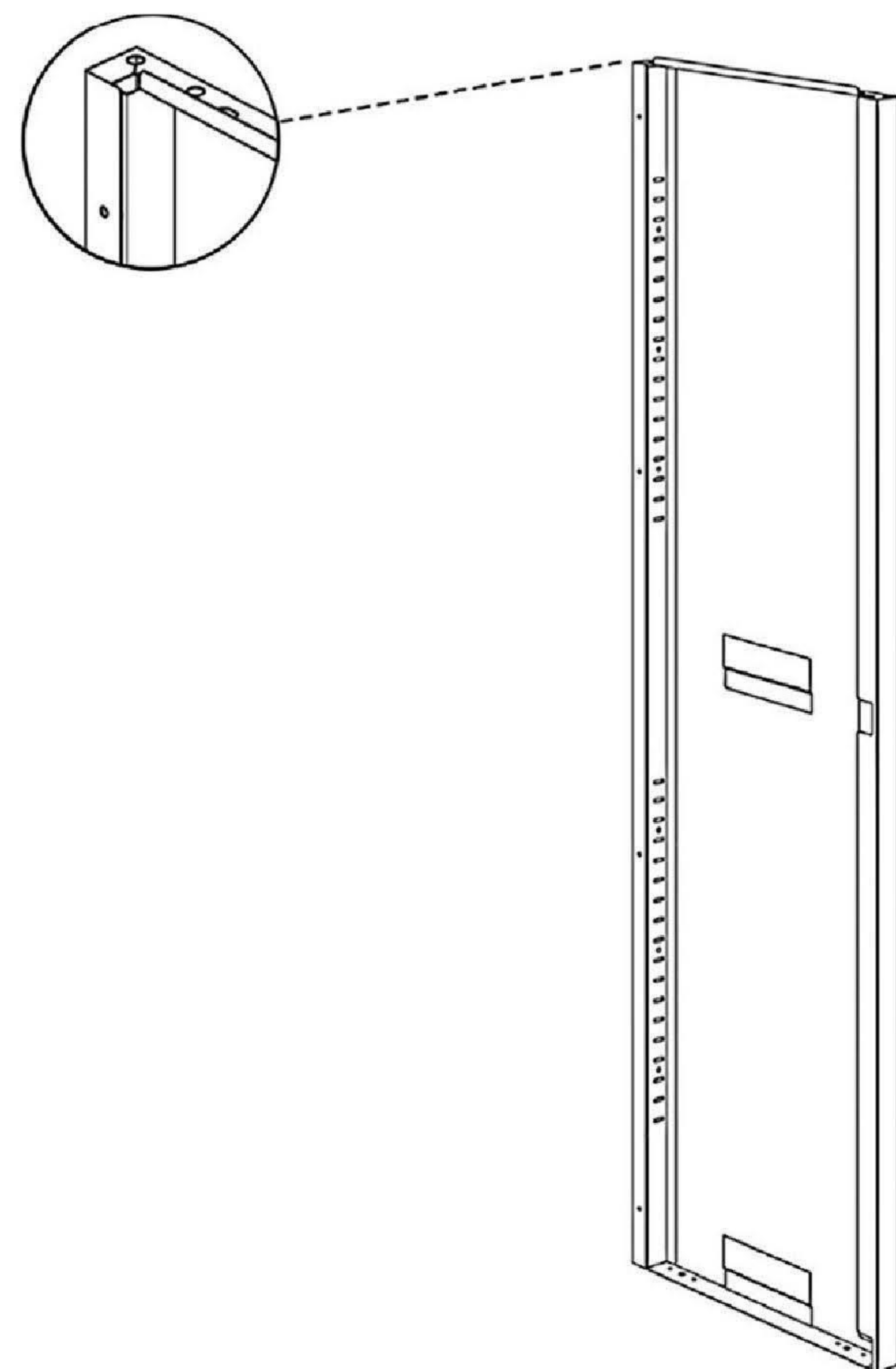
C-Right Back Panel

1PC



D-Right Side Panel

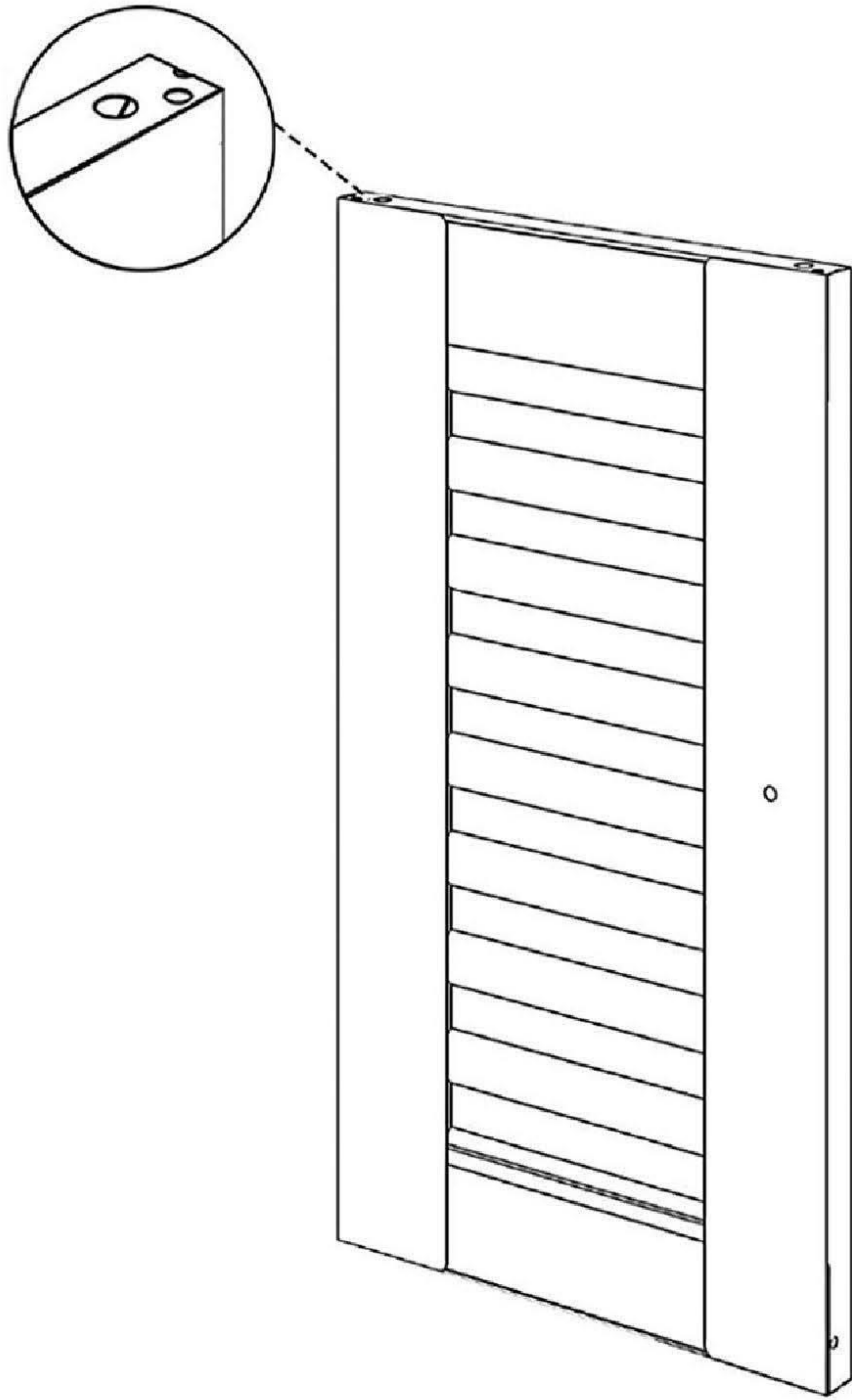
1PC



Accessories

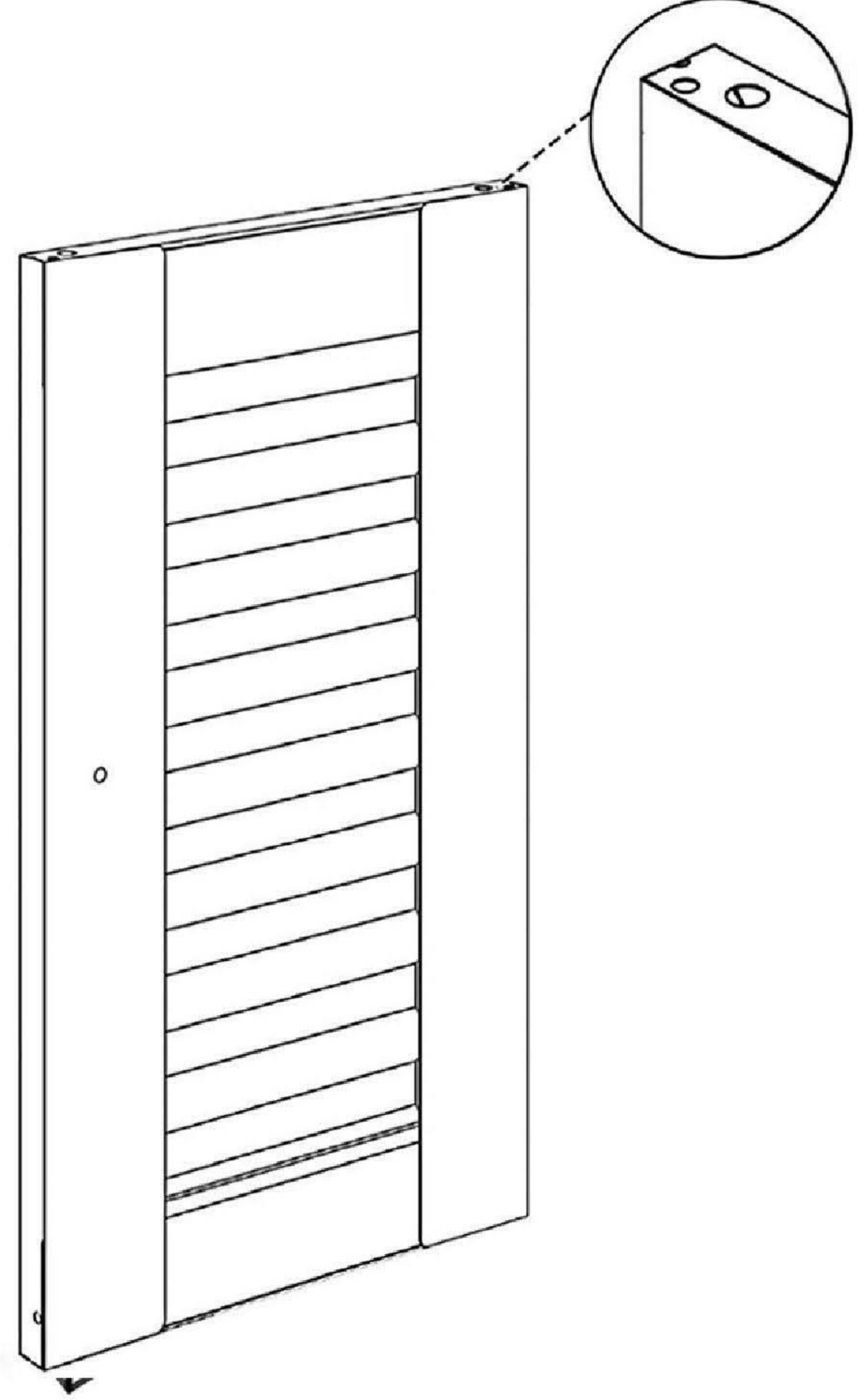
J-Left Door

2PCS



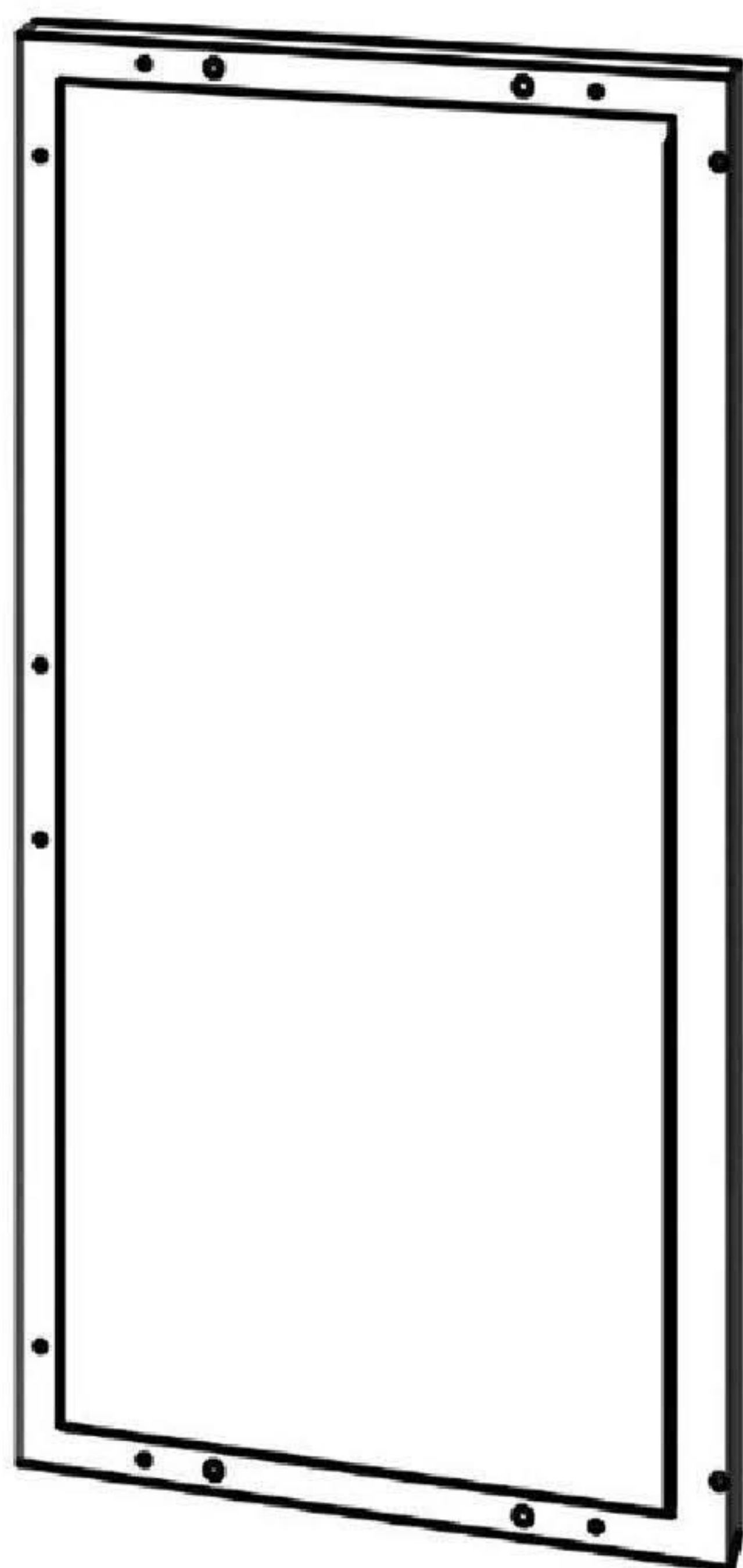
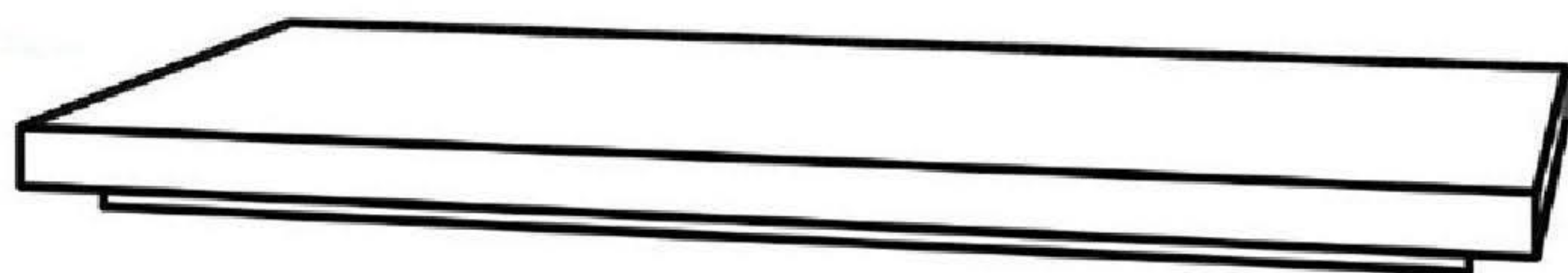
K-Right Door

2PCS



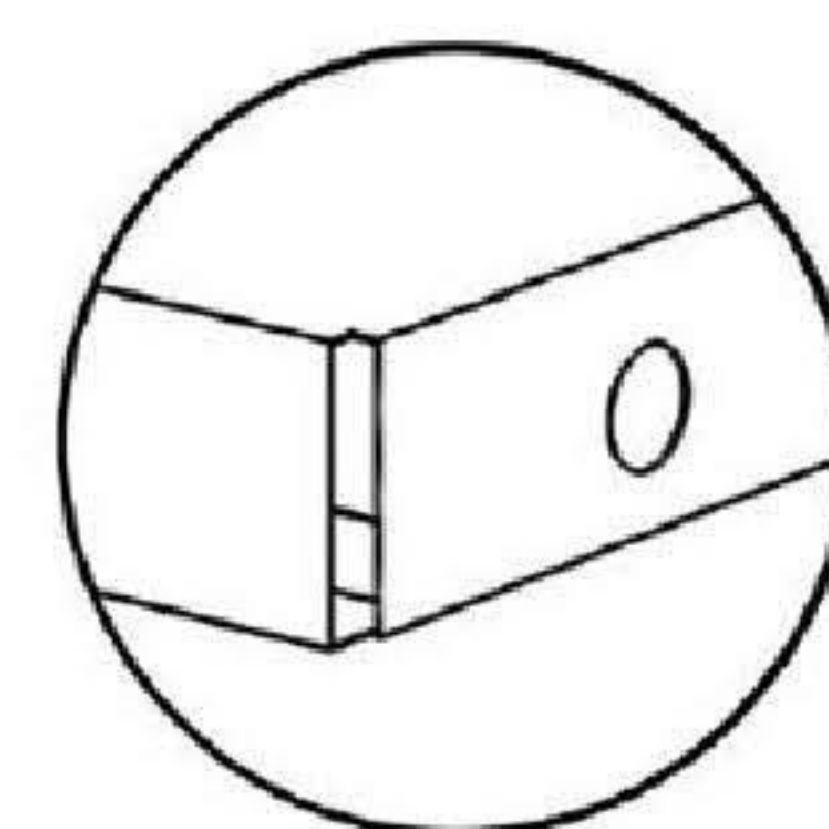
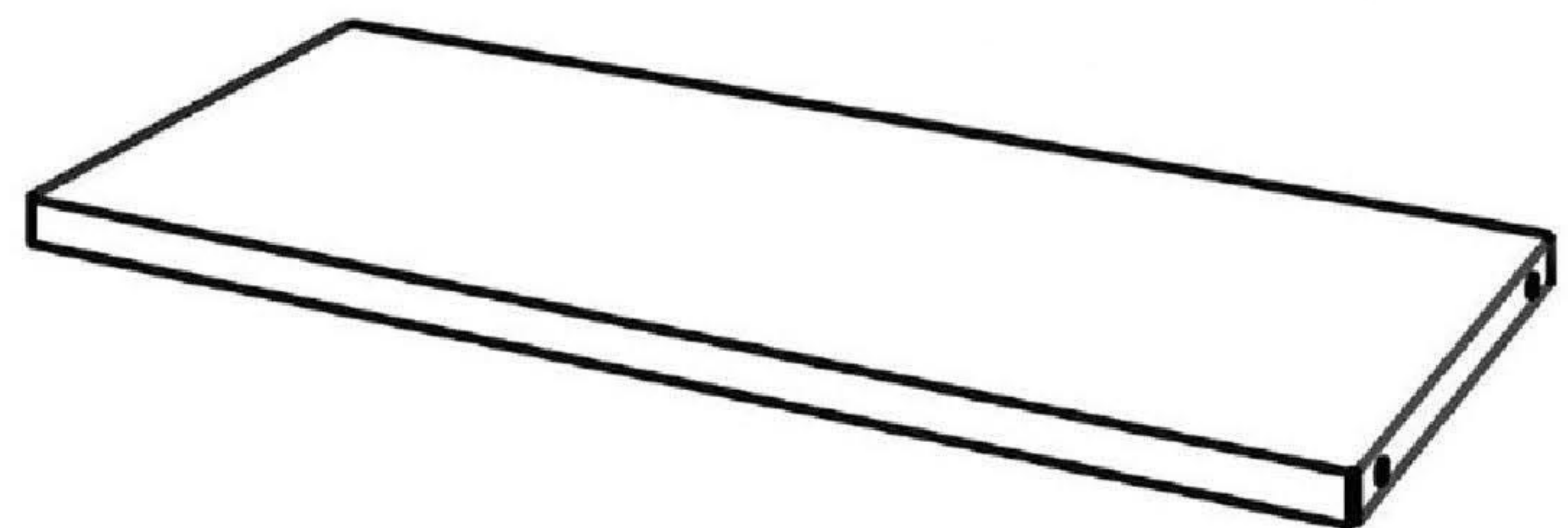
F-Top Panel

1PC



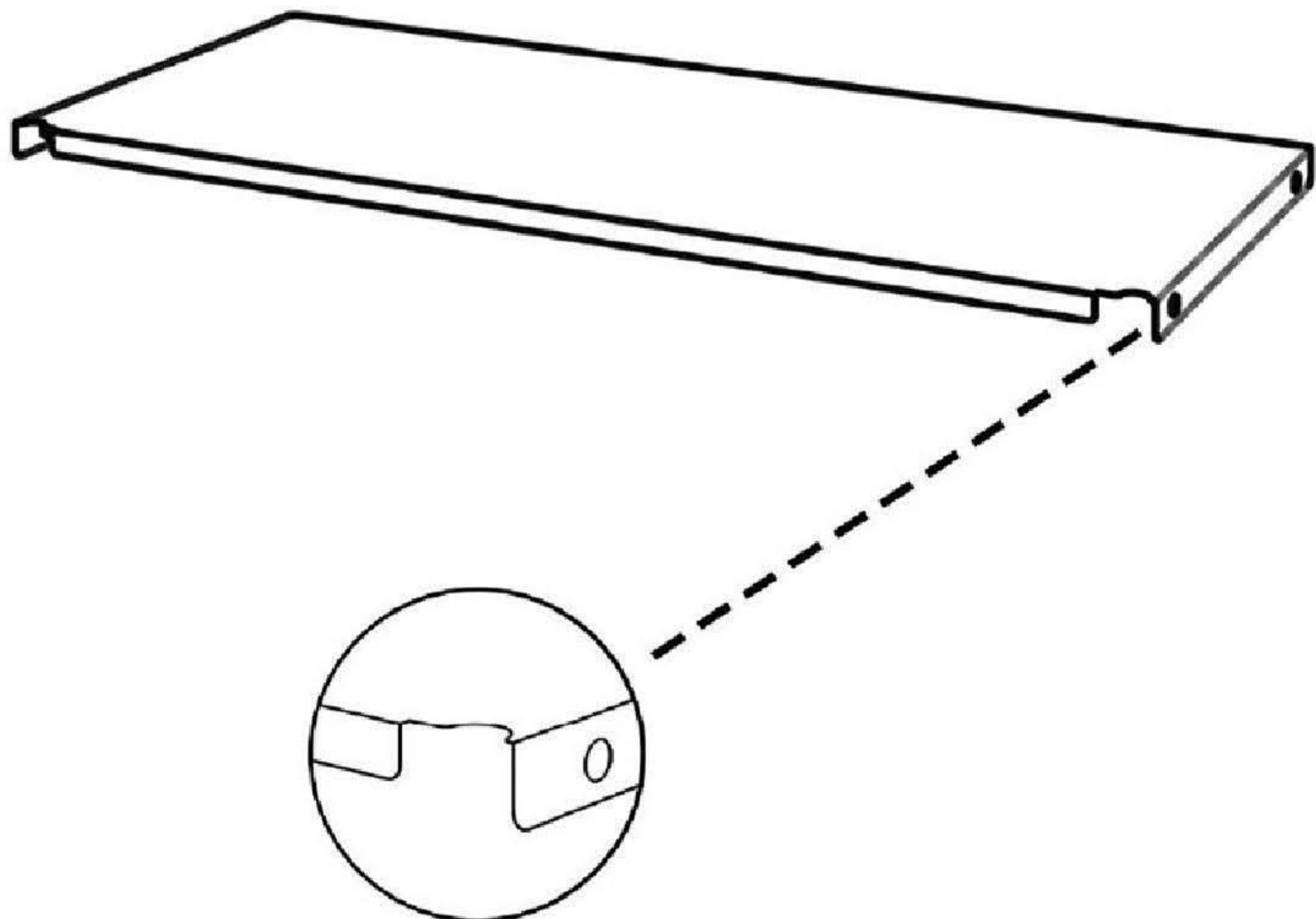
I-Shelf

2PCS

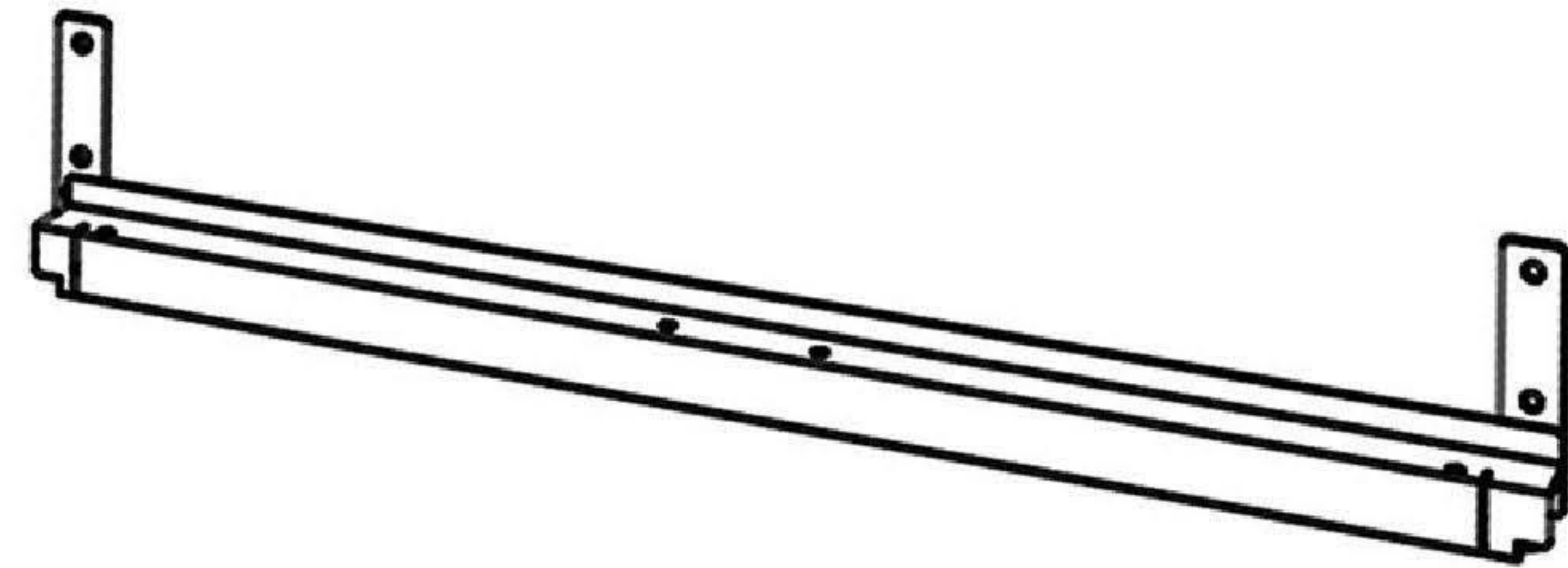


Accessories

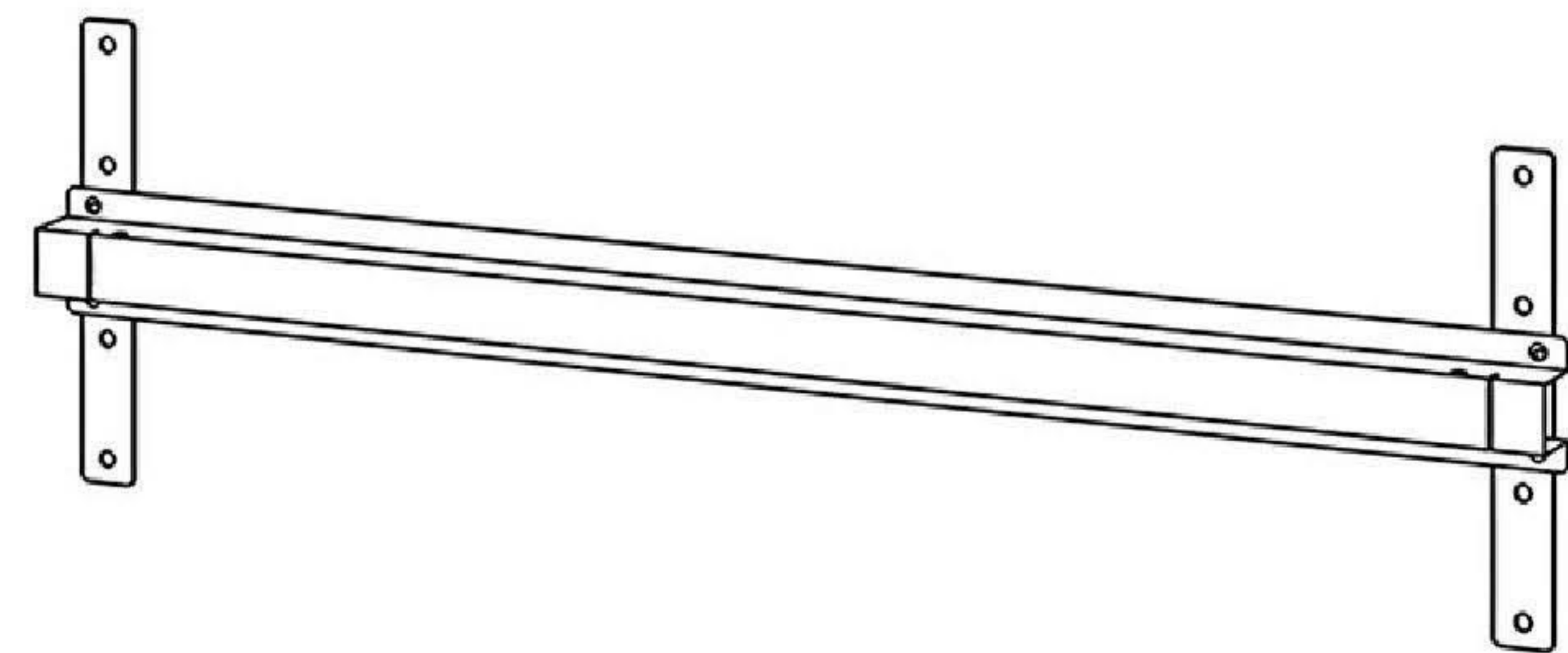
G-Bottom /Waist Panel **2PCS**



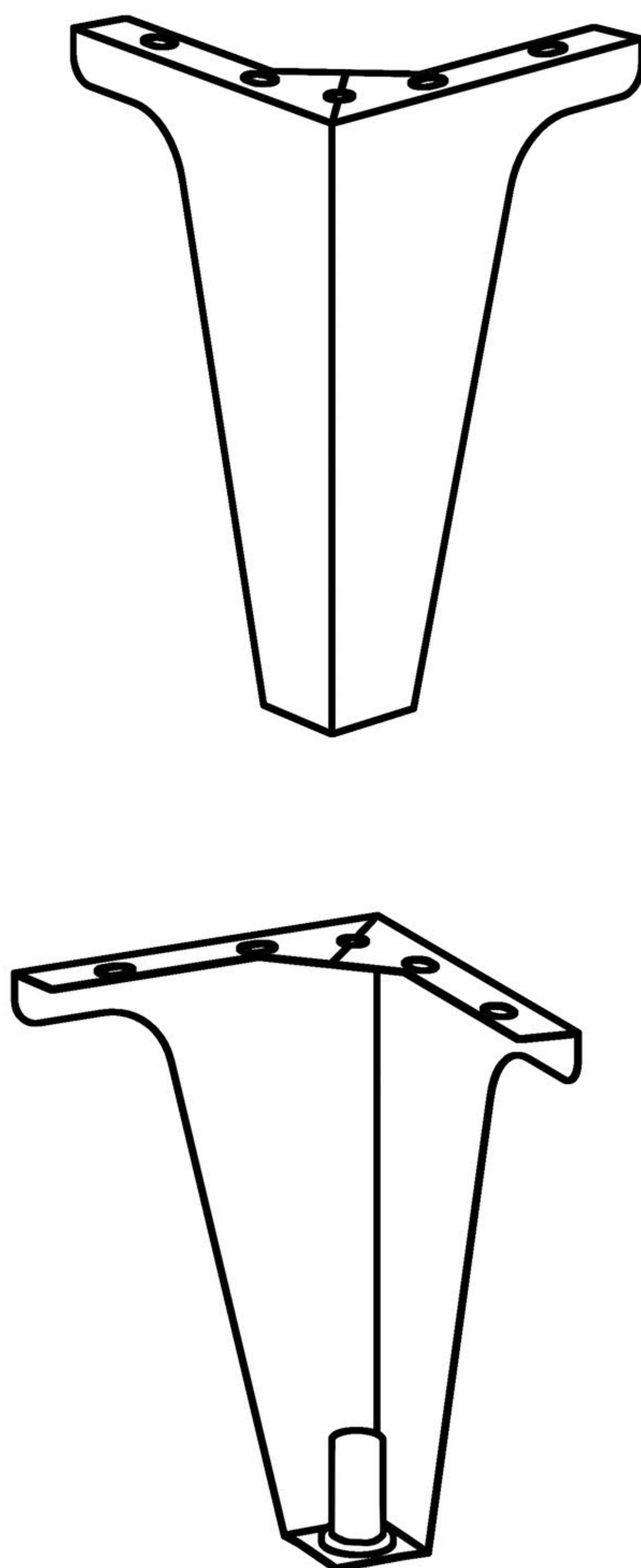
E-Kick Plate **1PC**



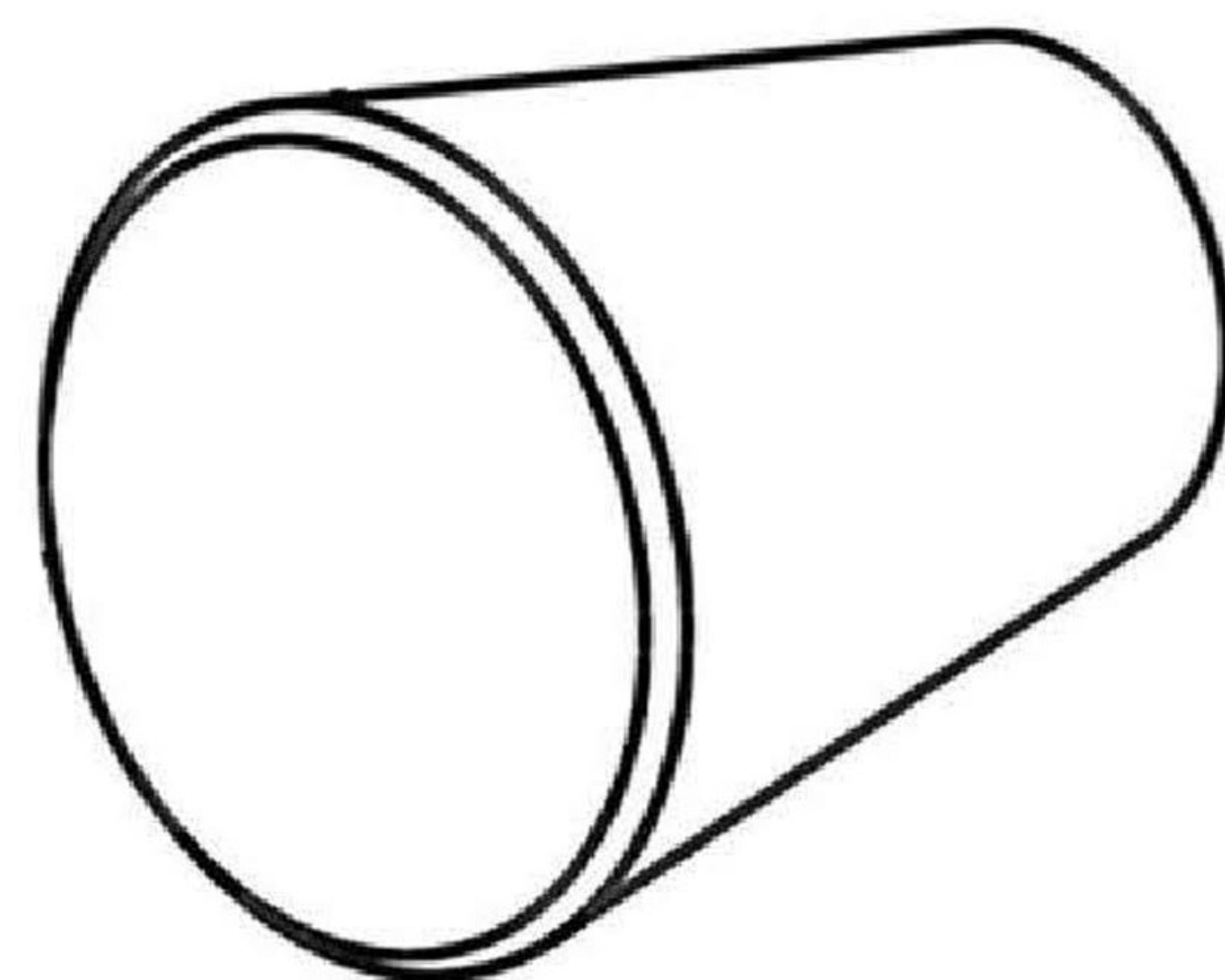
L-Middle Plate **1PC**



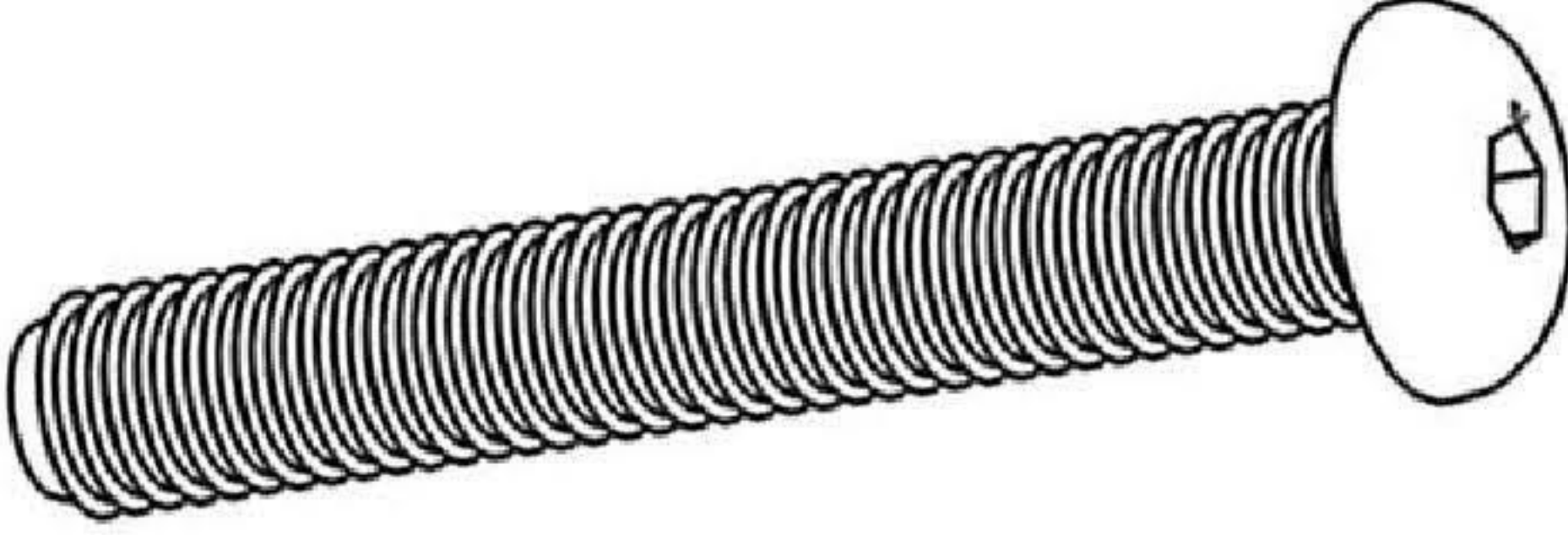
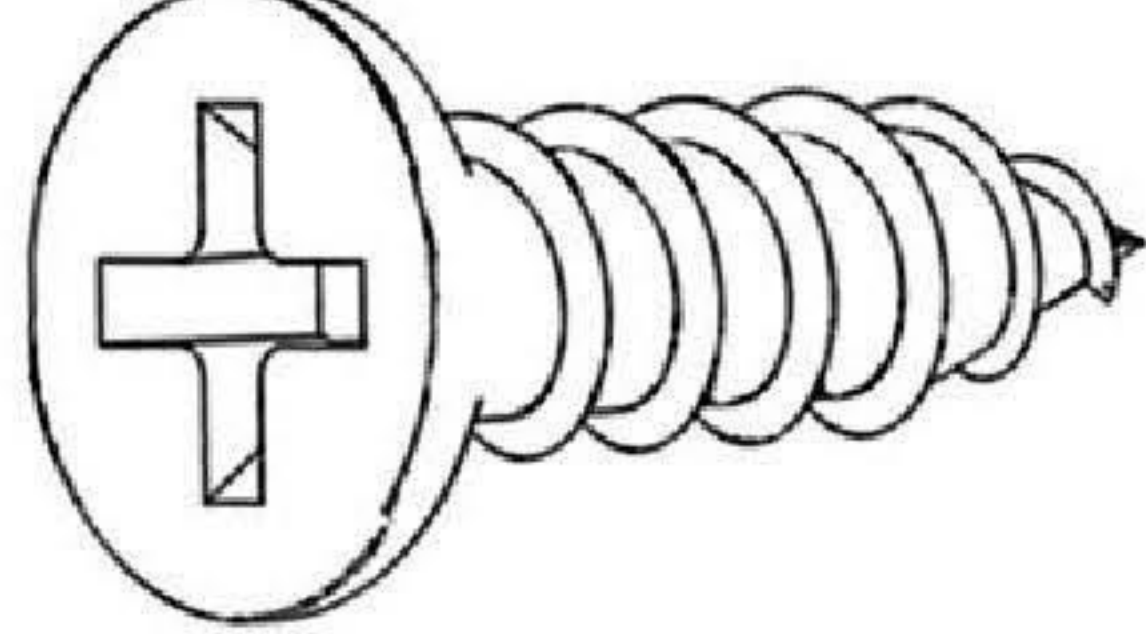
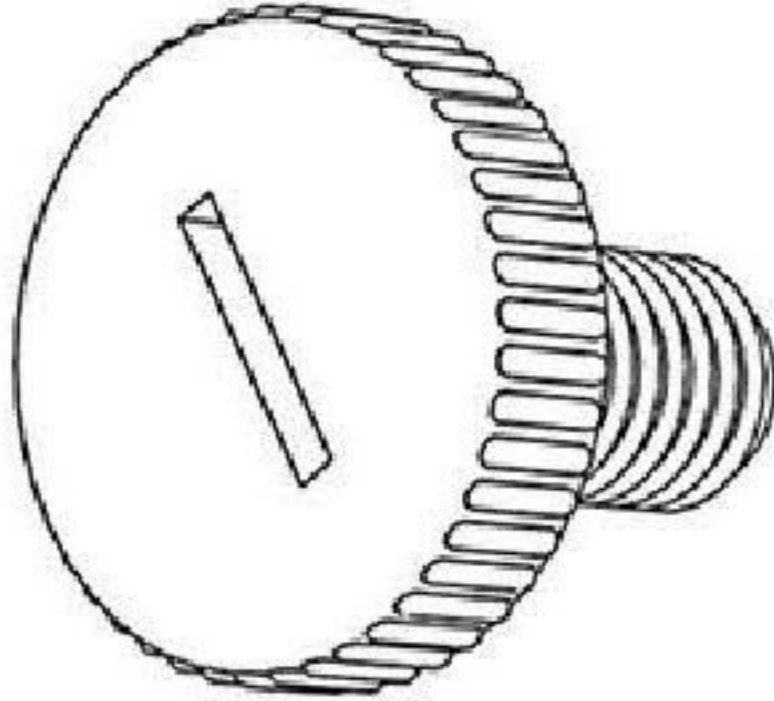
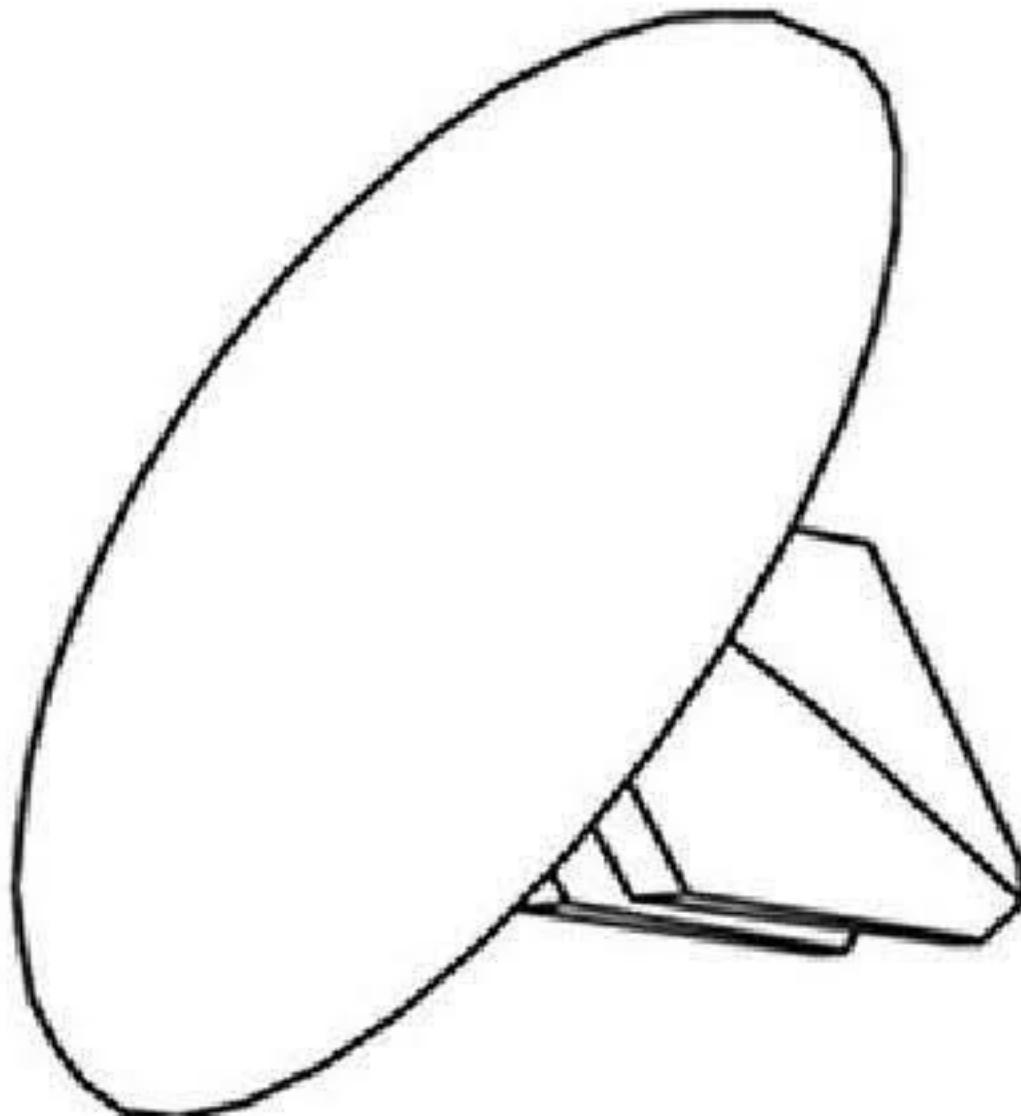
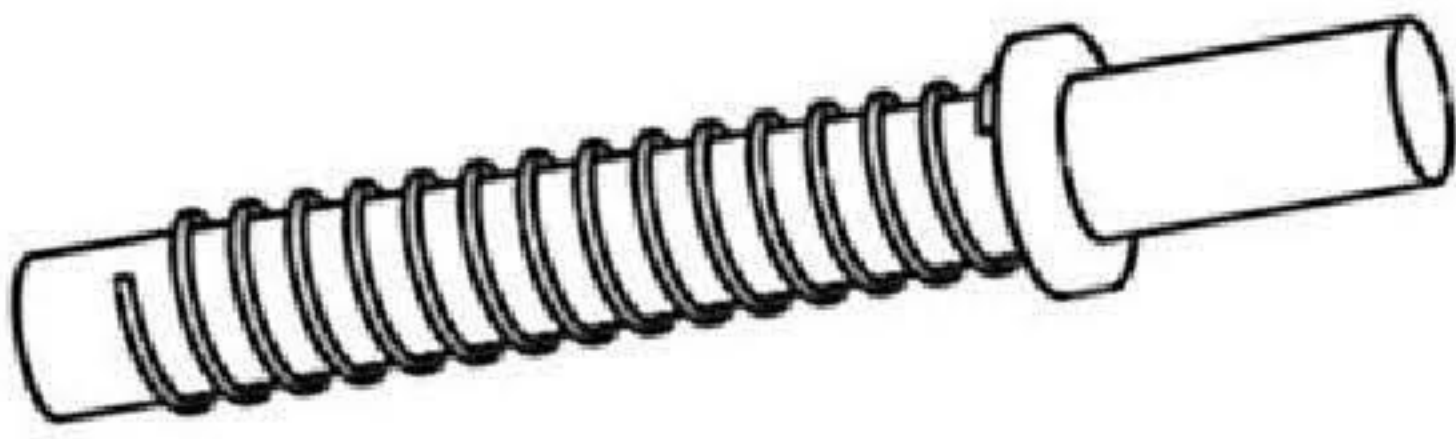
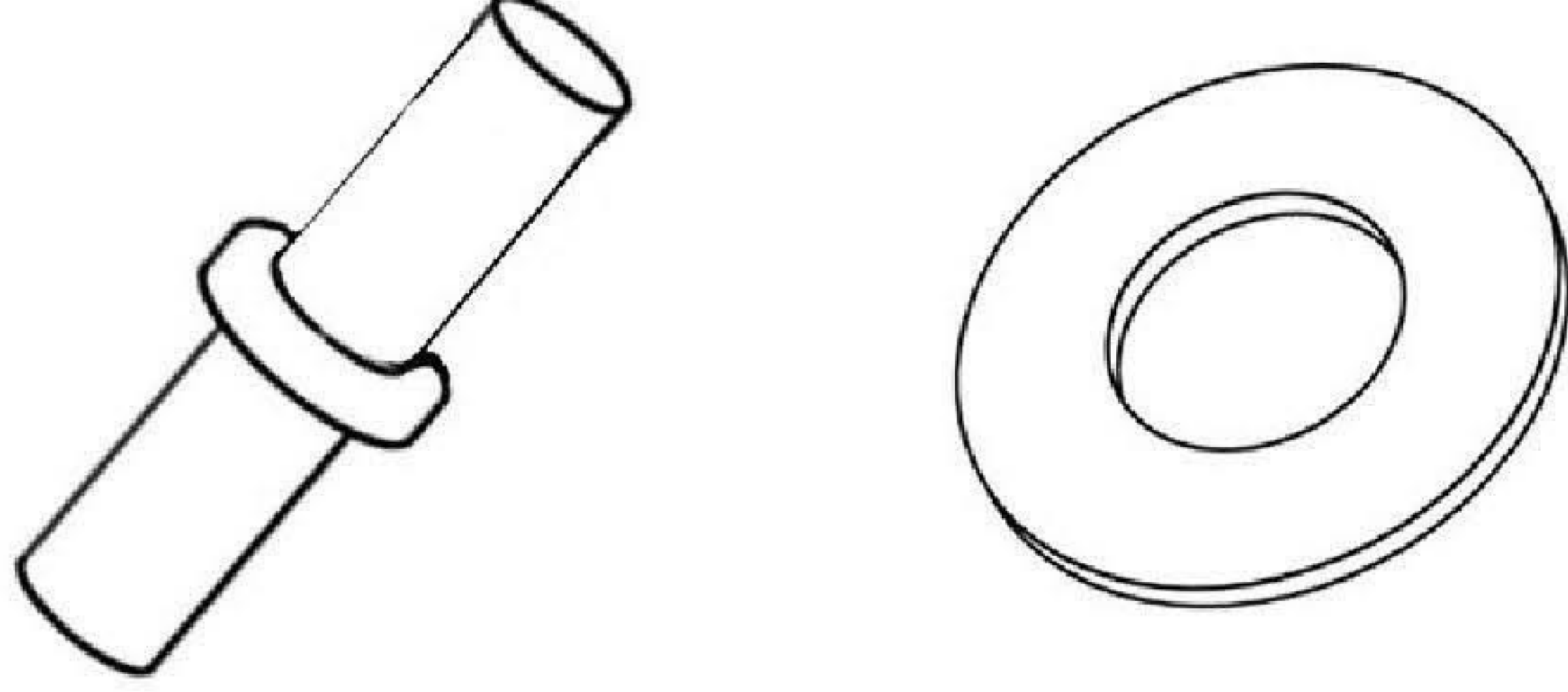
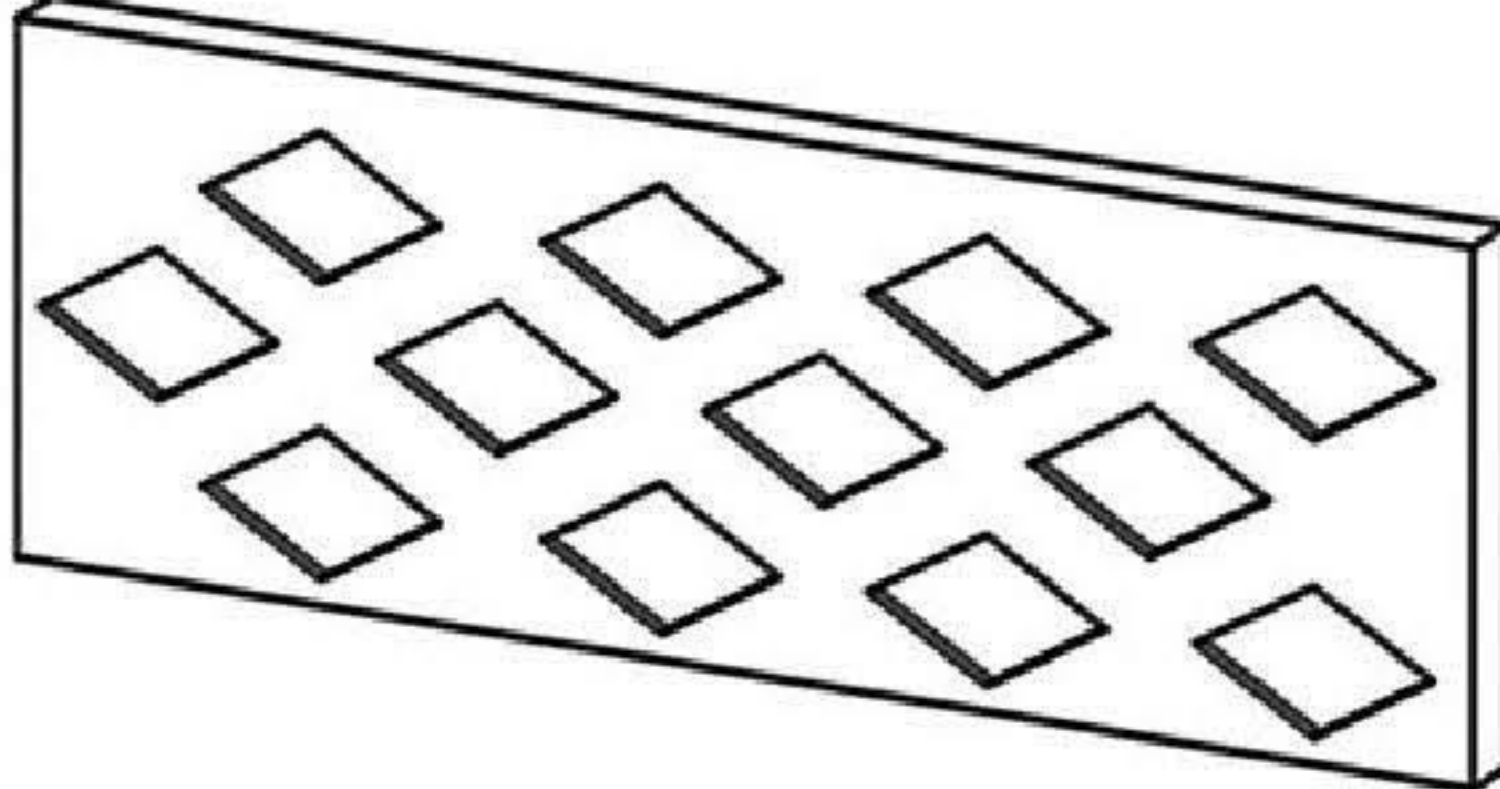
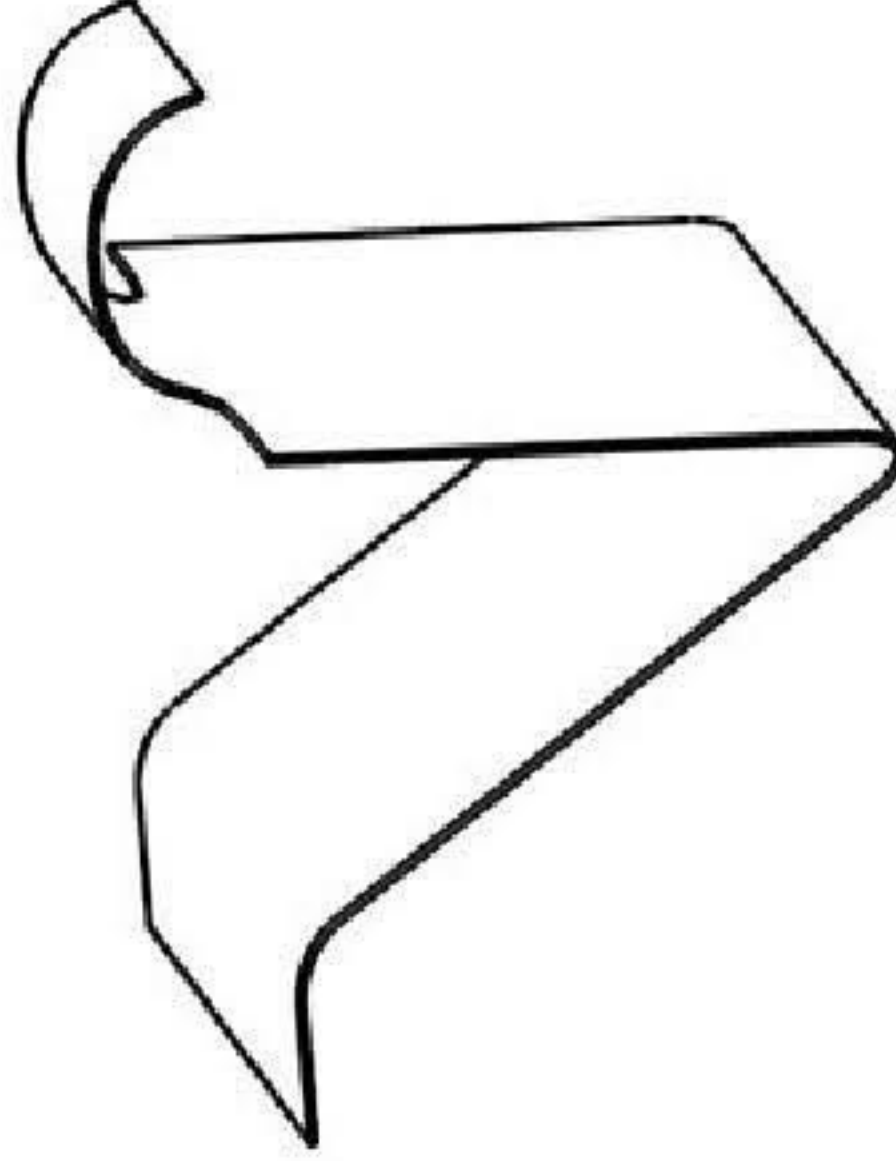

H-Support **4PCS**



S-Round Handle **4PCS**

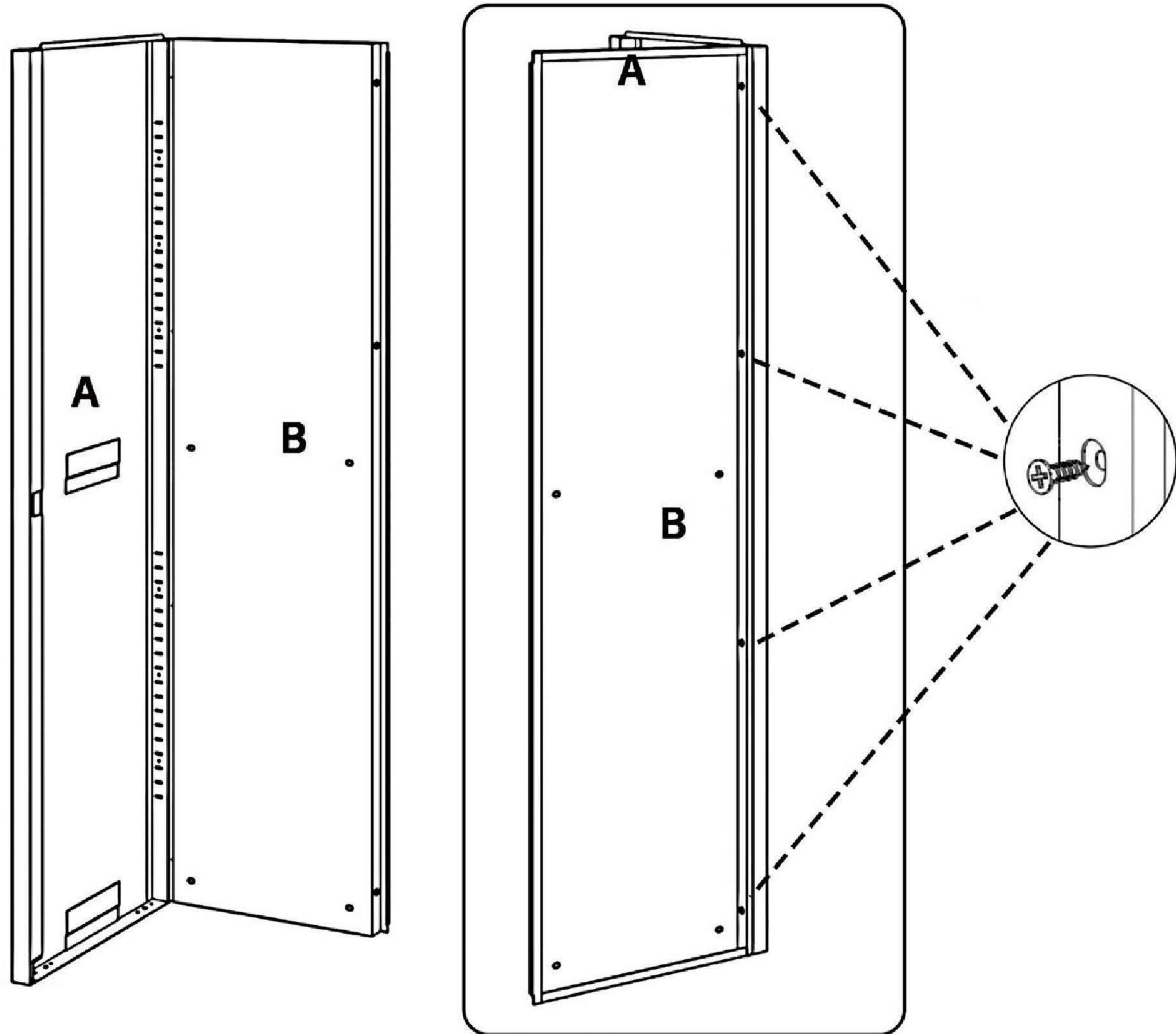
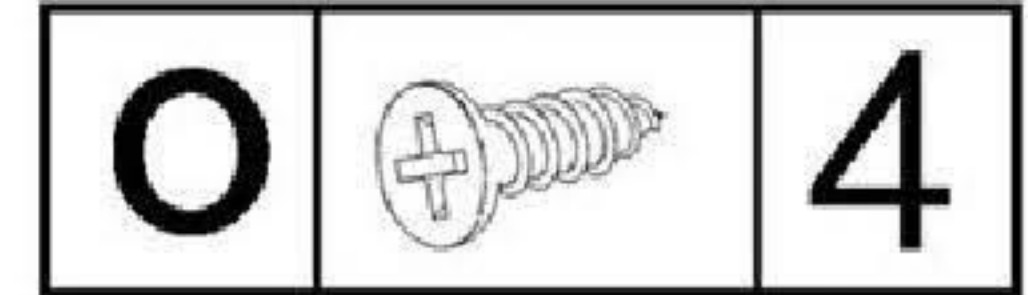


Accessories

N-M4*22 Screw	4PCS	O-M4*8 Screw	56PCS
			
M-Foot	4PCS	P-Stop Pad	4PCS
			
Q-Spring shaft	4PCS	R-Door Pivot & Shim	4PCS
 <p>Already pre-installed on the doors</p>			
T-Magnet	8PCS	U-Shelf Clasp	8PCS
			
V-Expansion Screw	2PCS		
			

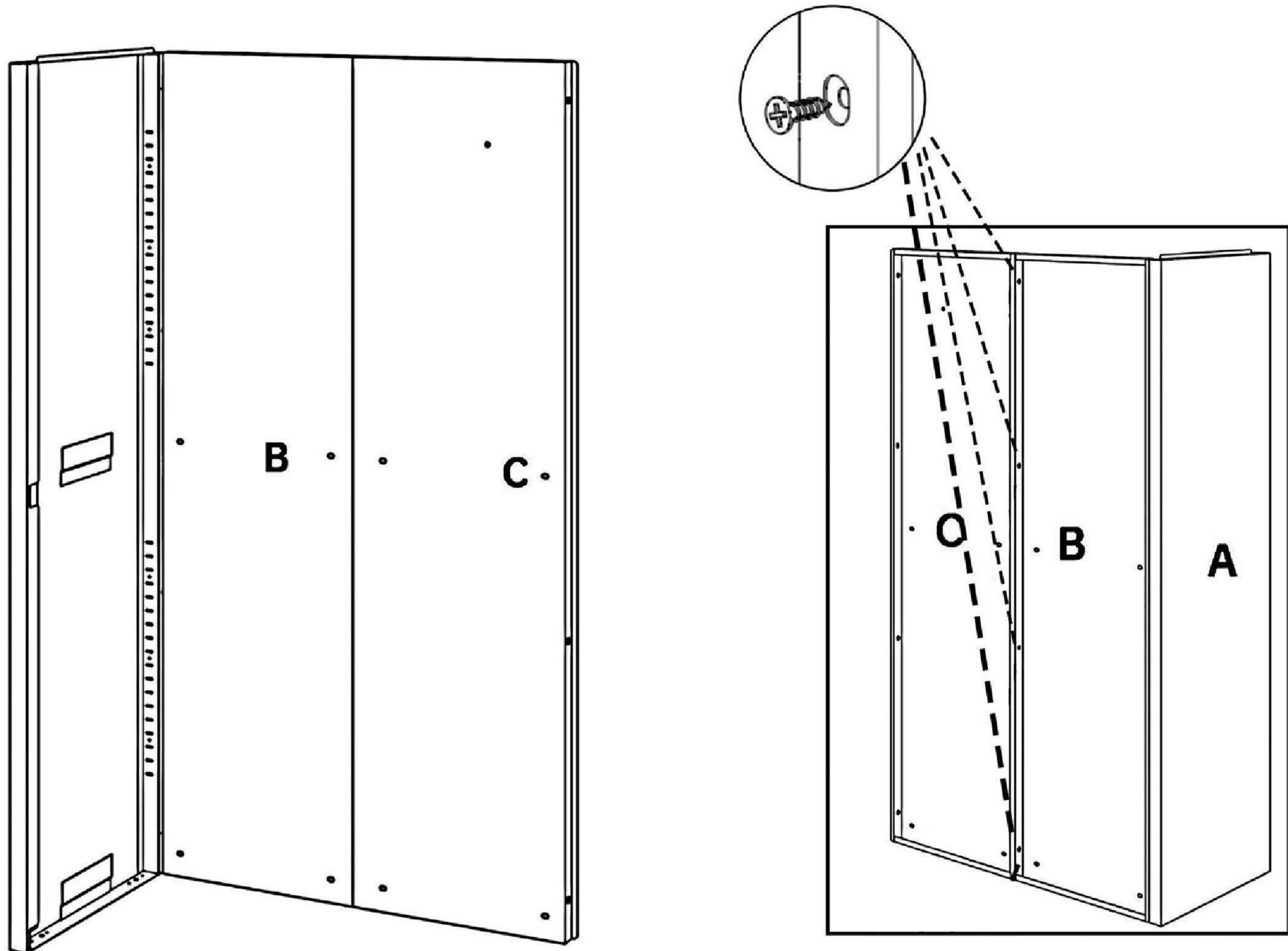
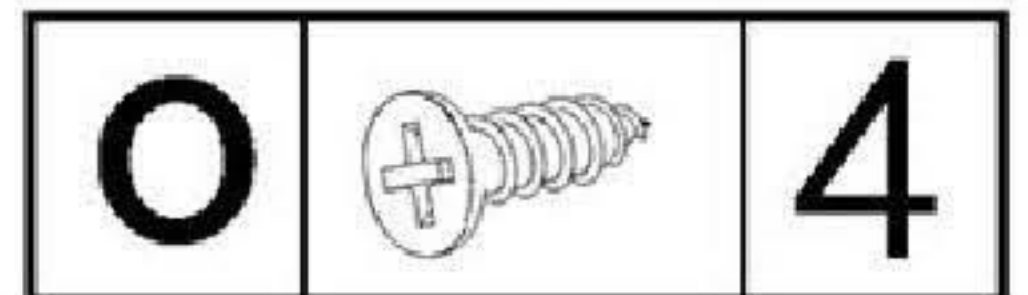
Step 1

Connect left side panel A and left back panel B with 4 screws O

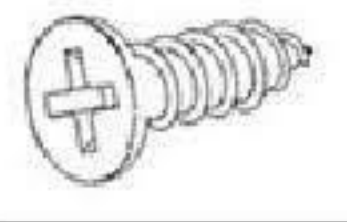


Step 2

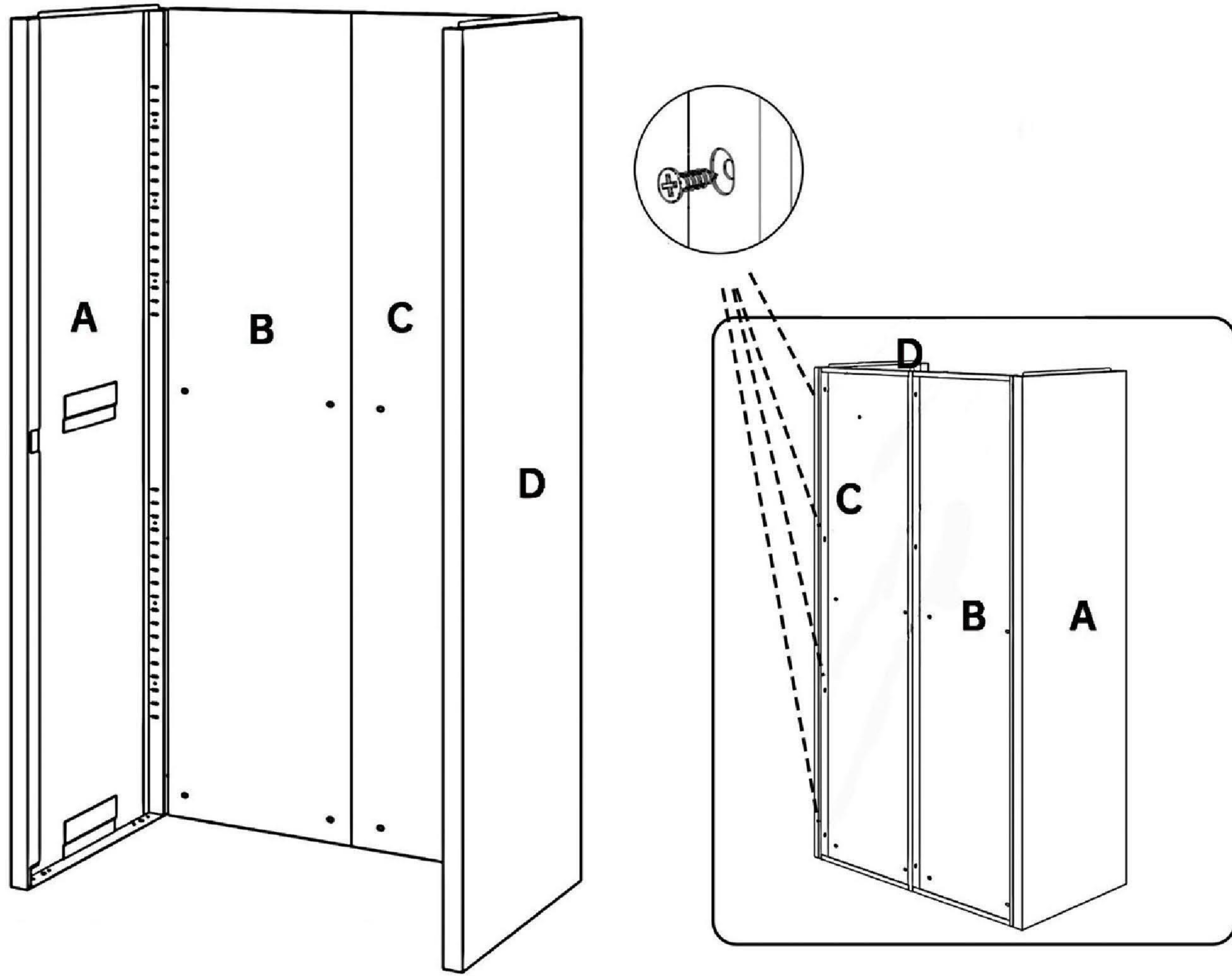
Connect left back panel B and right back panel C with 4 screws O



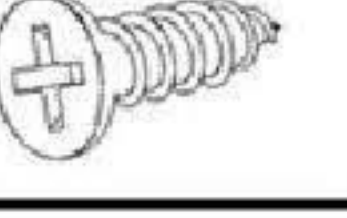
Step 3

O  4

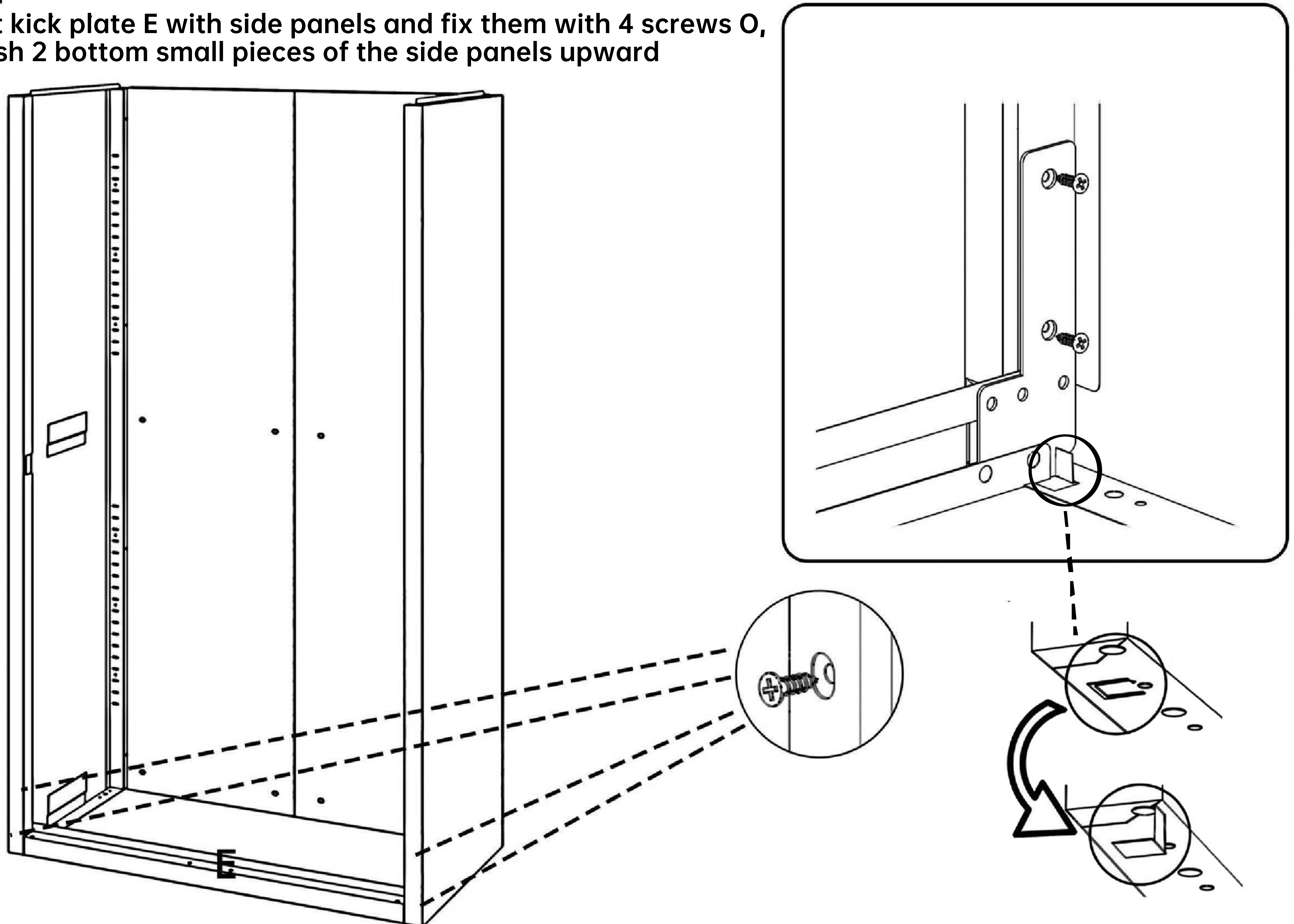
Connect right back panel C and right side panel D with 4 screws O



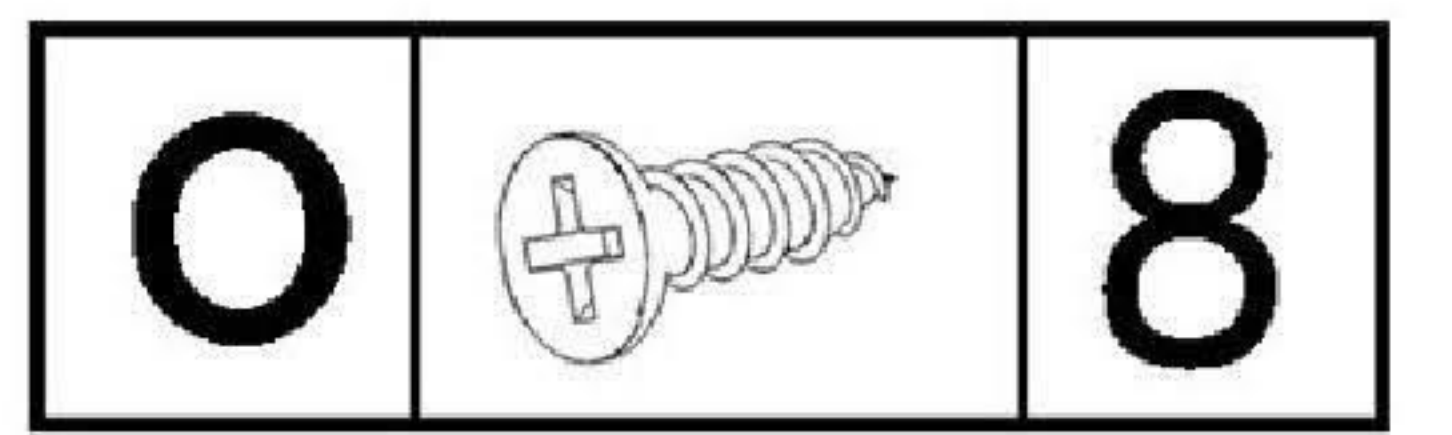
Step 4

O  4

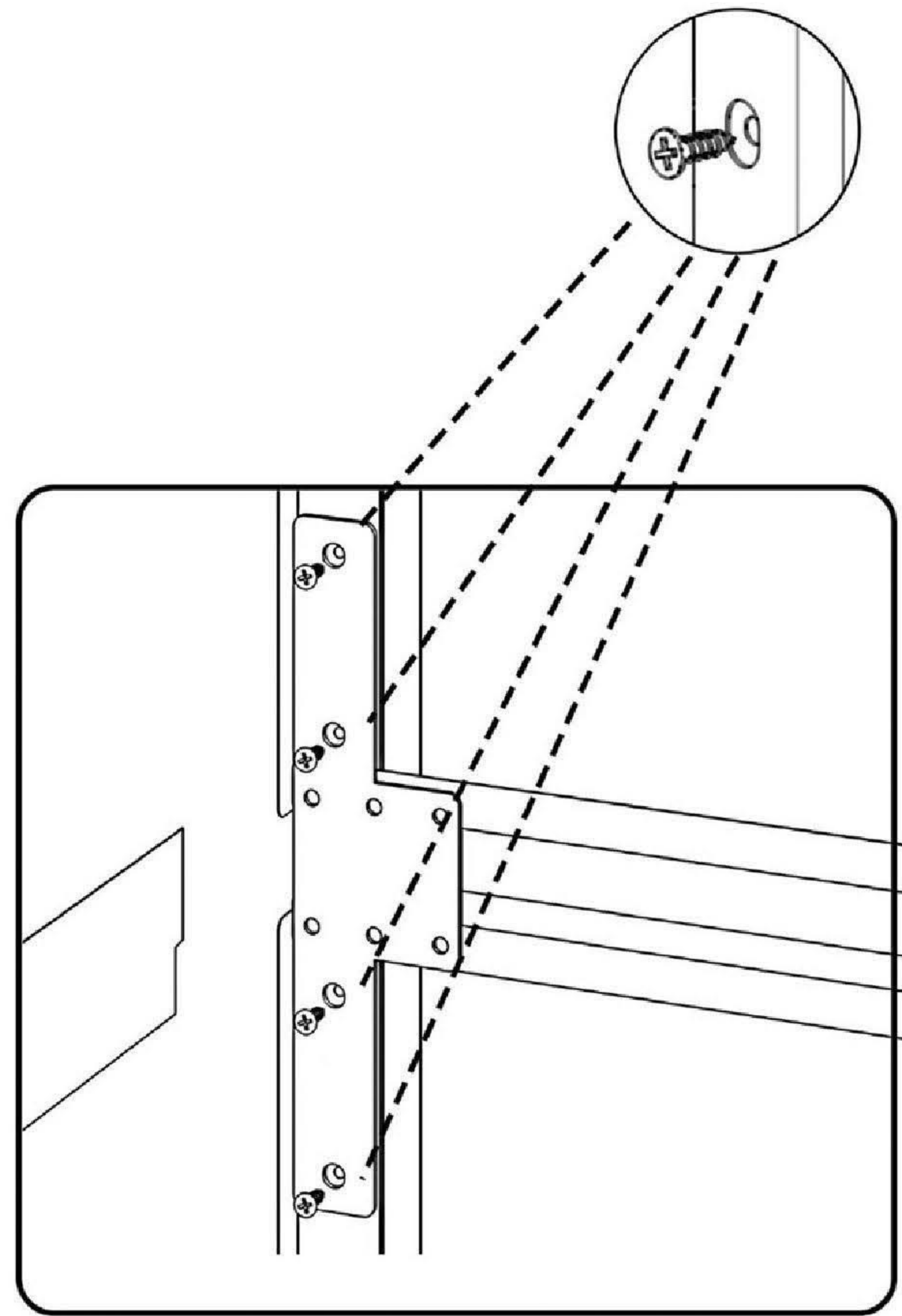
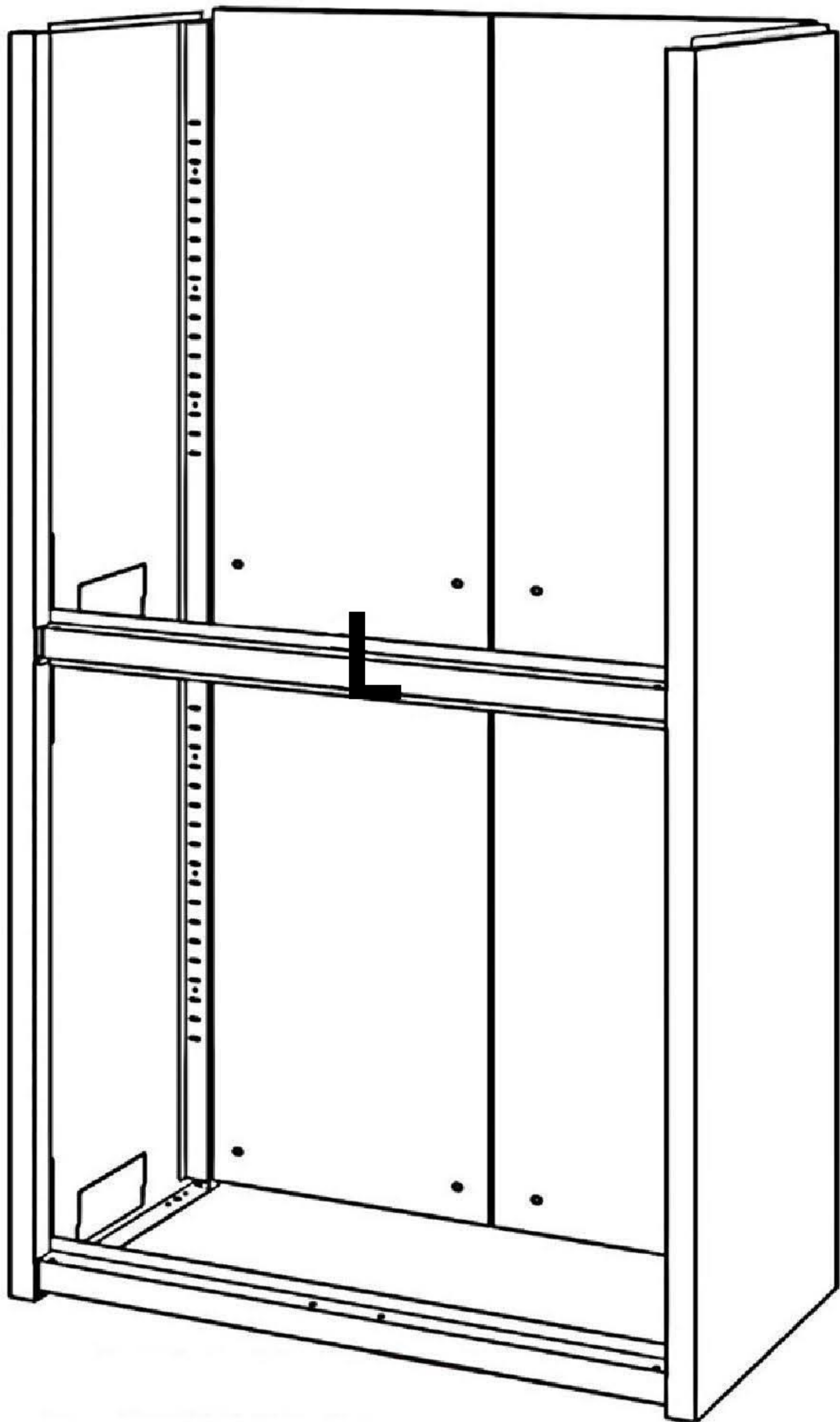
Connect kick plate E with side panels and fix them with 4 screws O, then push 2 bottom small pieces of the side panels upward



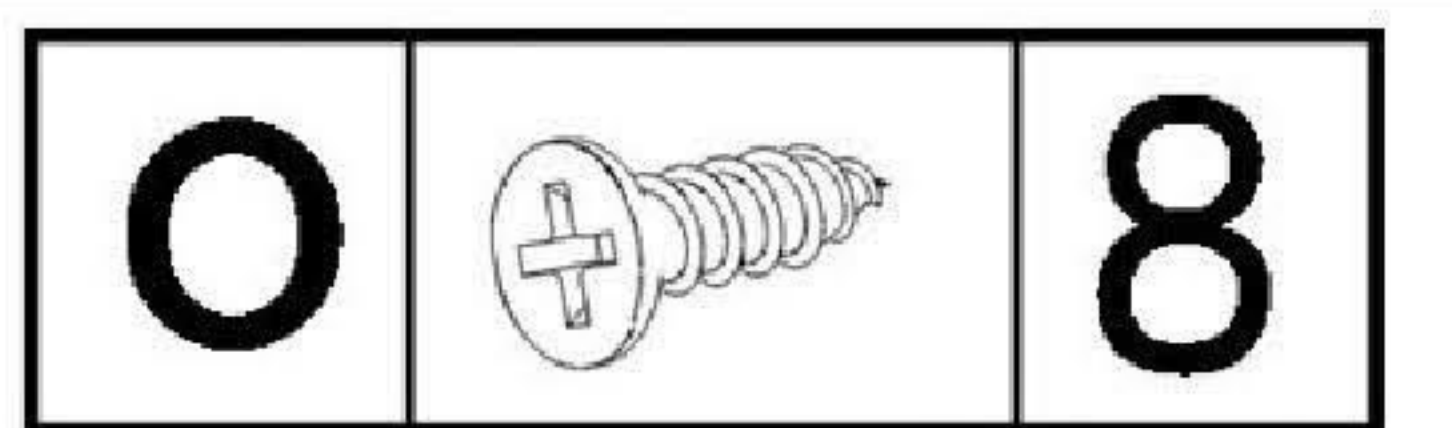
Step 5



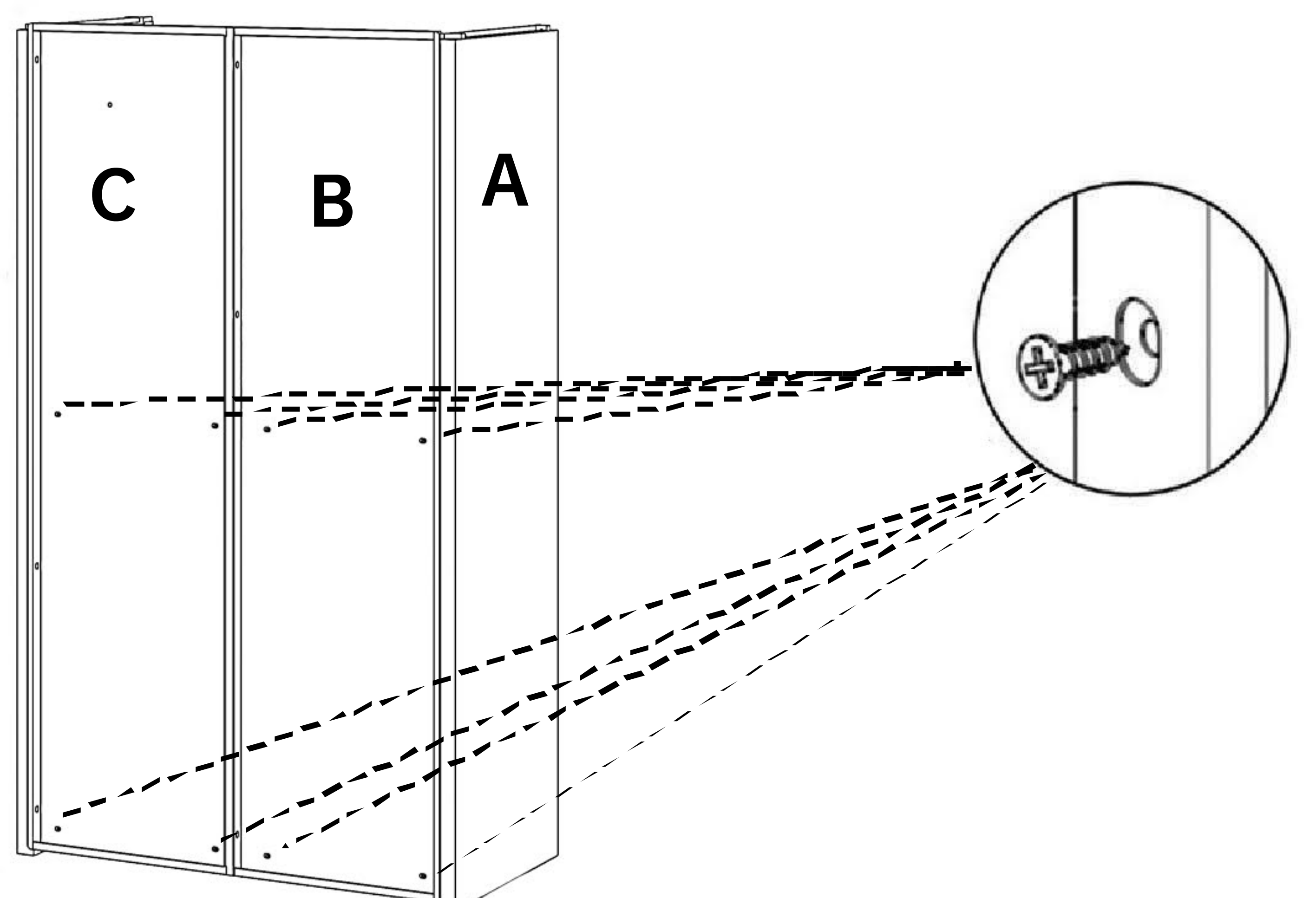
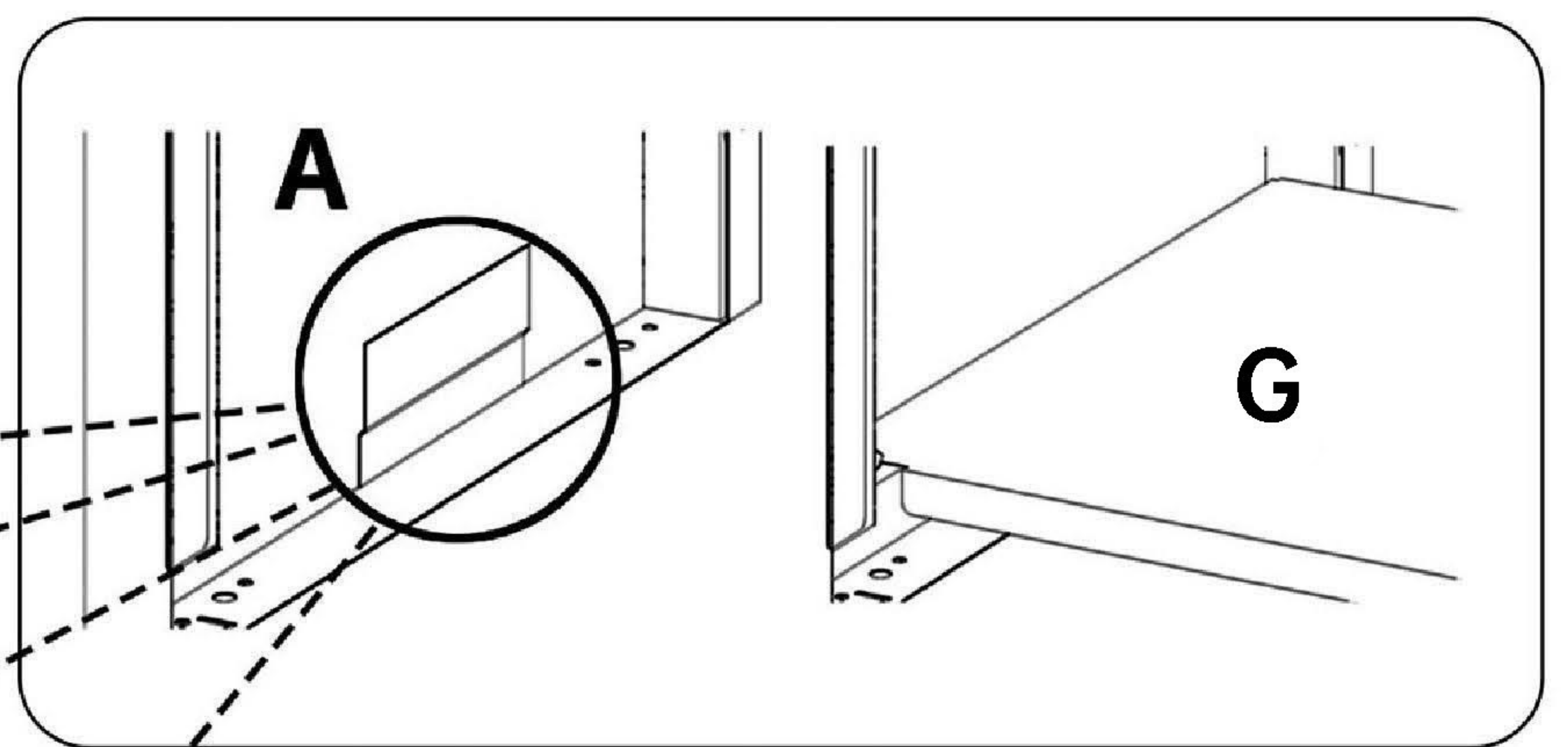
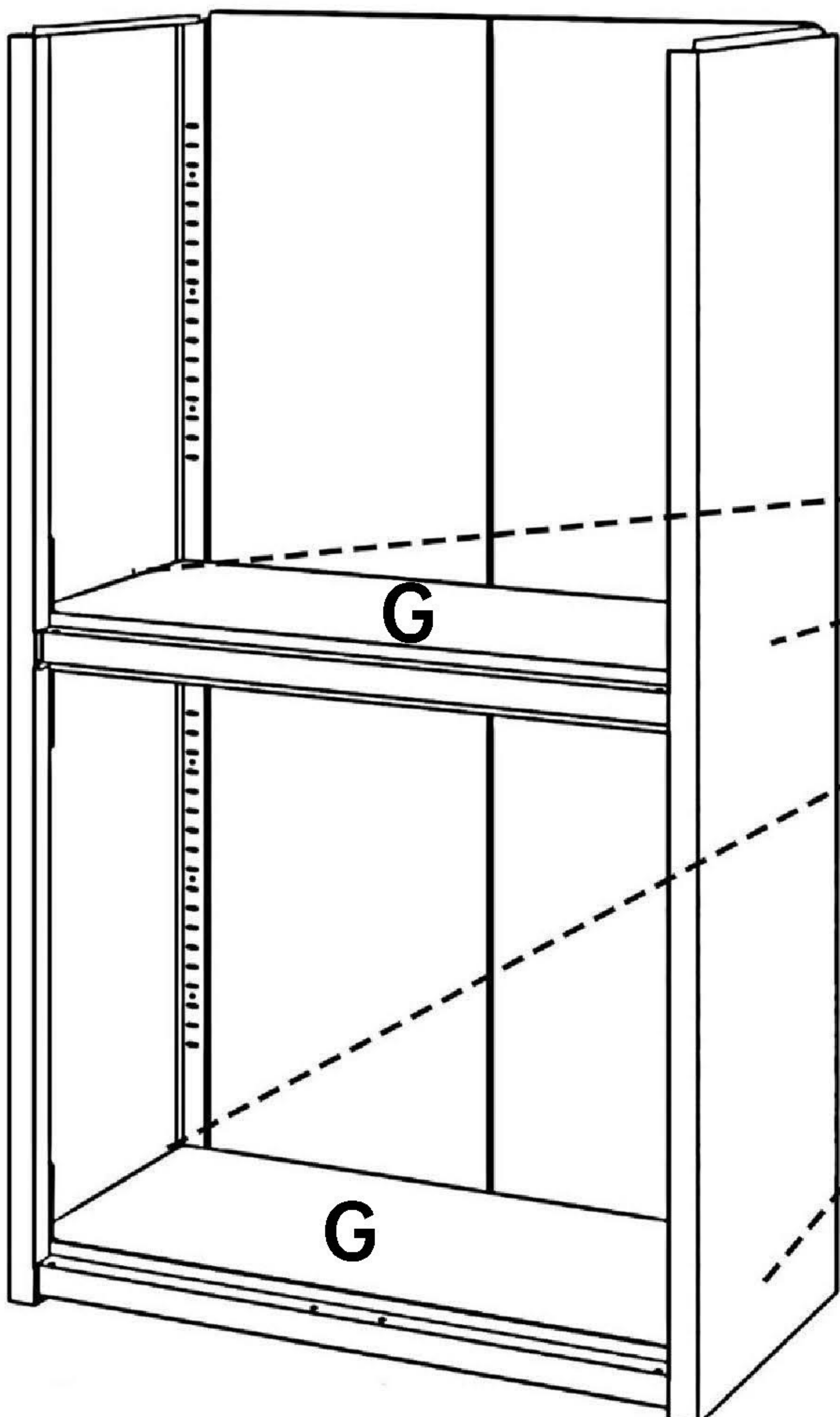
Connect middle plate L with side panels and fix them with 8 screws O



Step 6

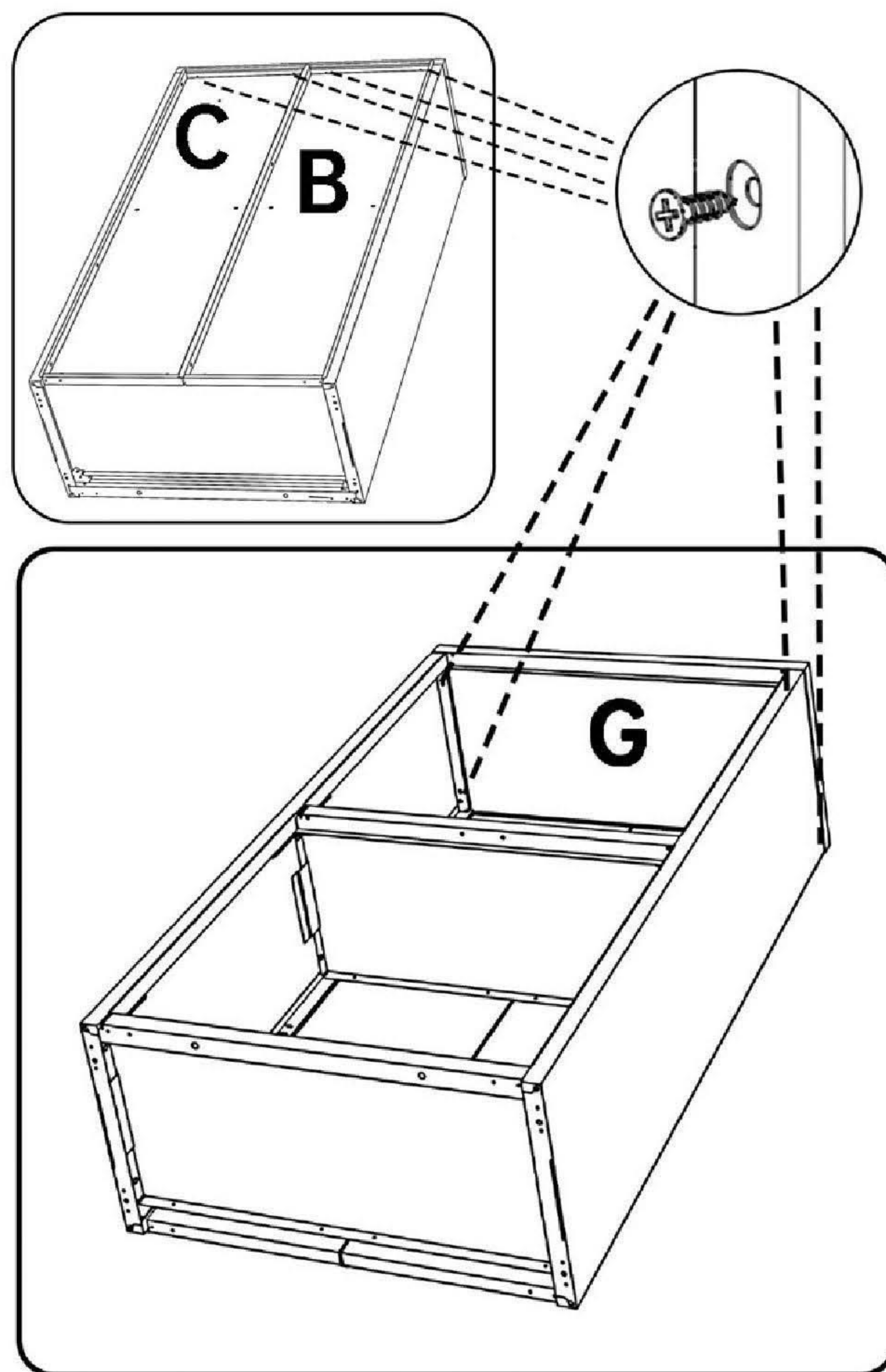
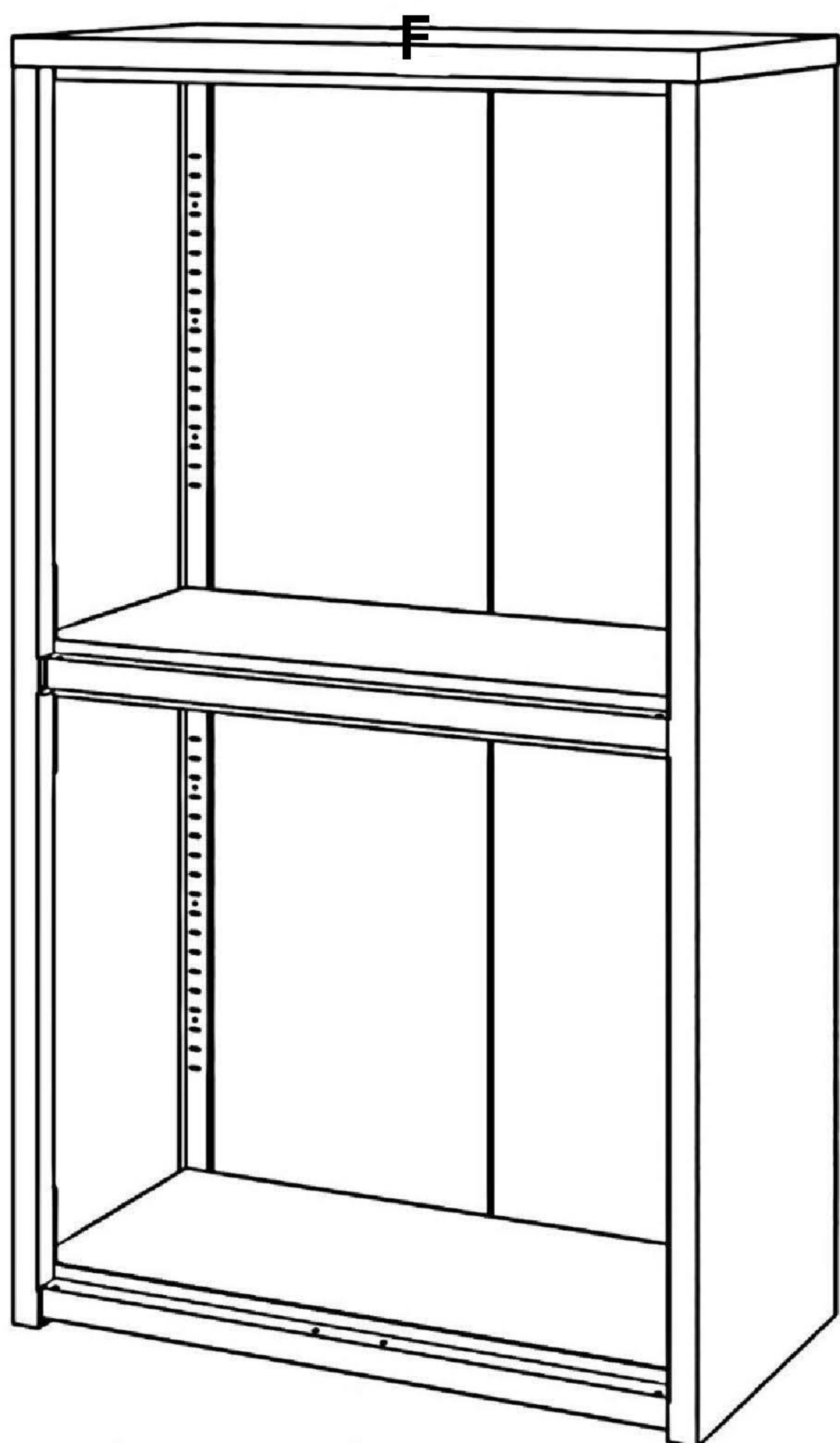
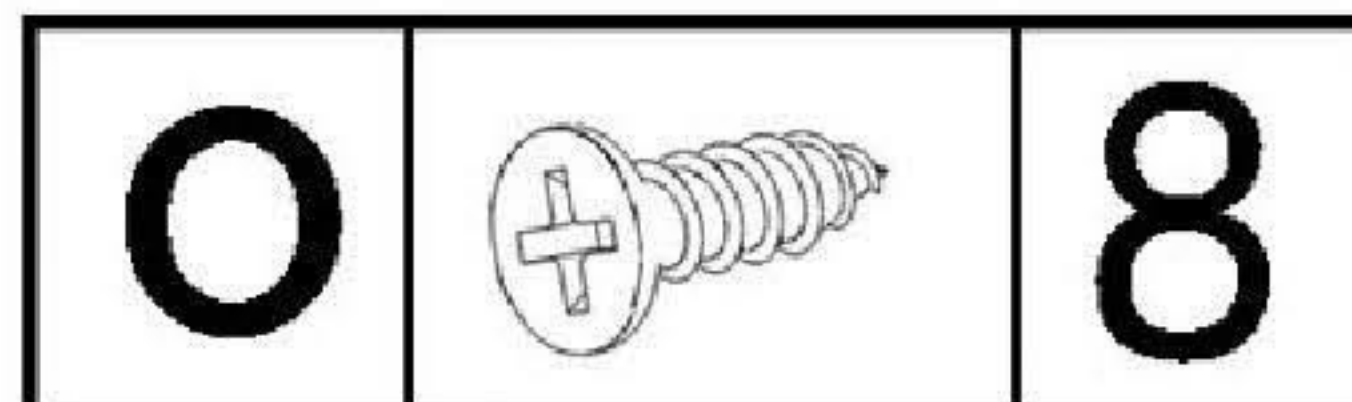


Tilt 2 bottom and waist panels G into the cabinet and fix them with back panels by 8 screws O (Ensure that the both sides of bottom panels are inserted into the slots of side panels)



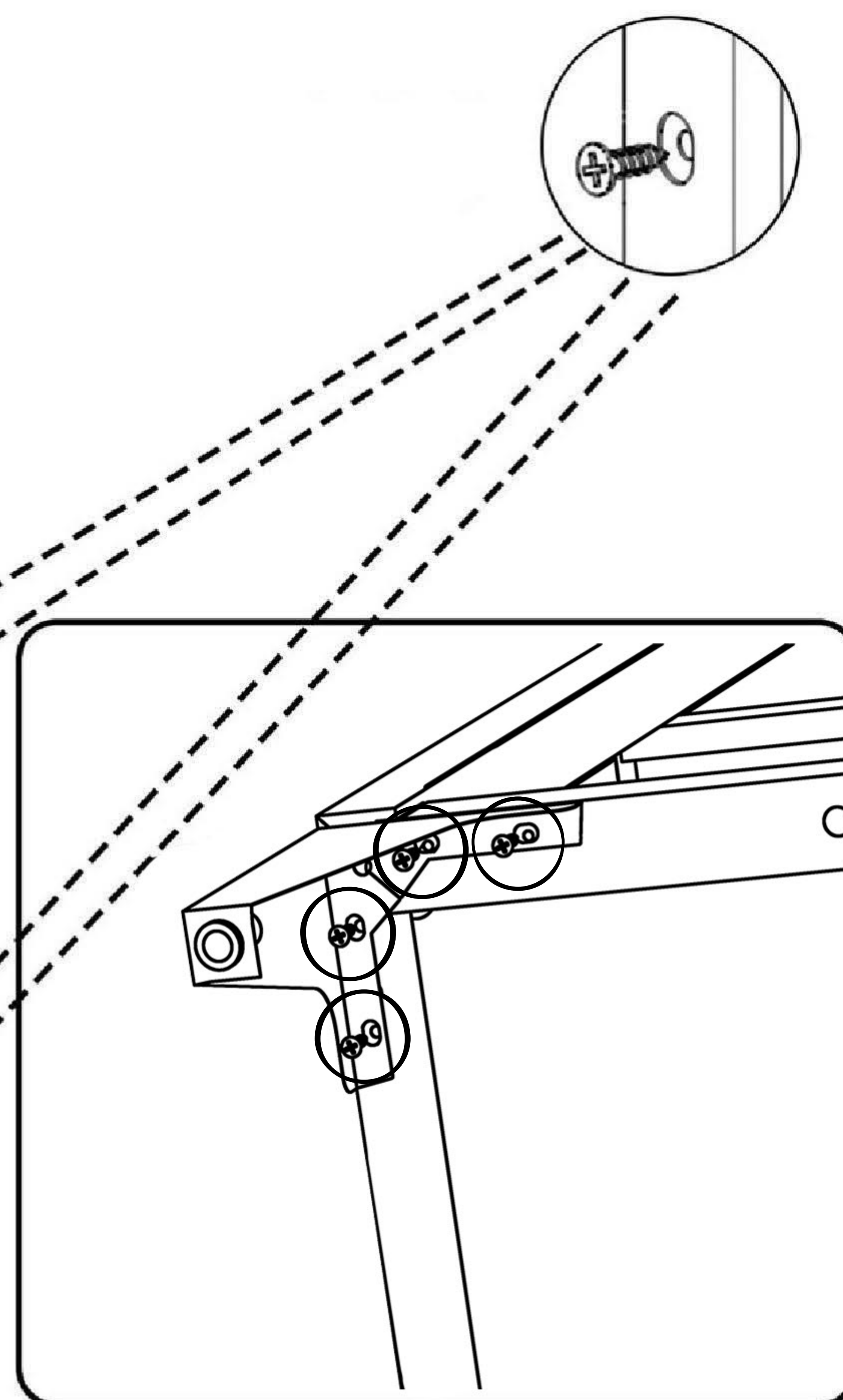
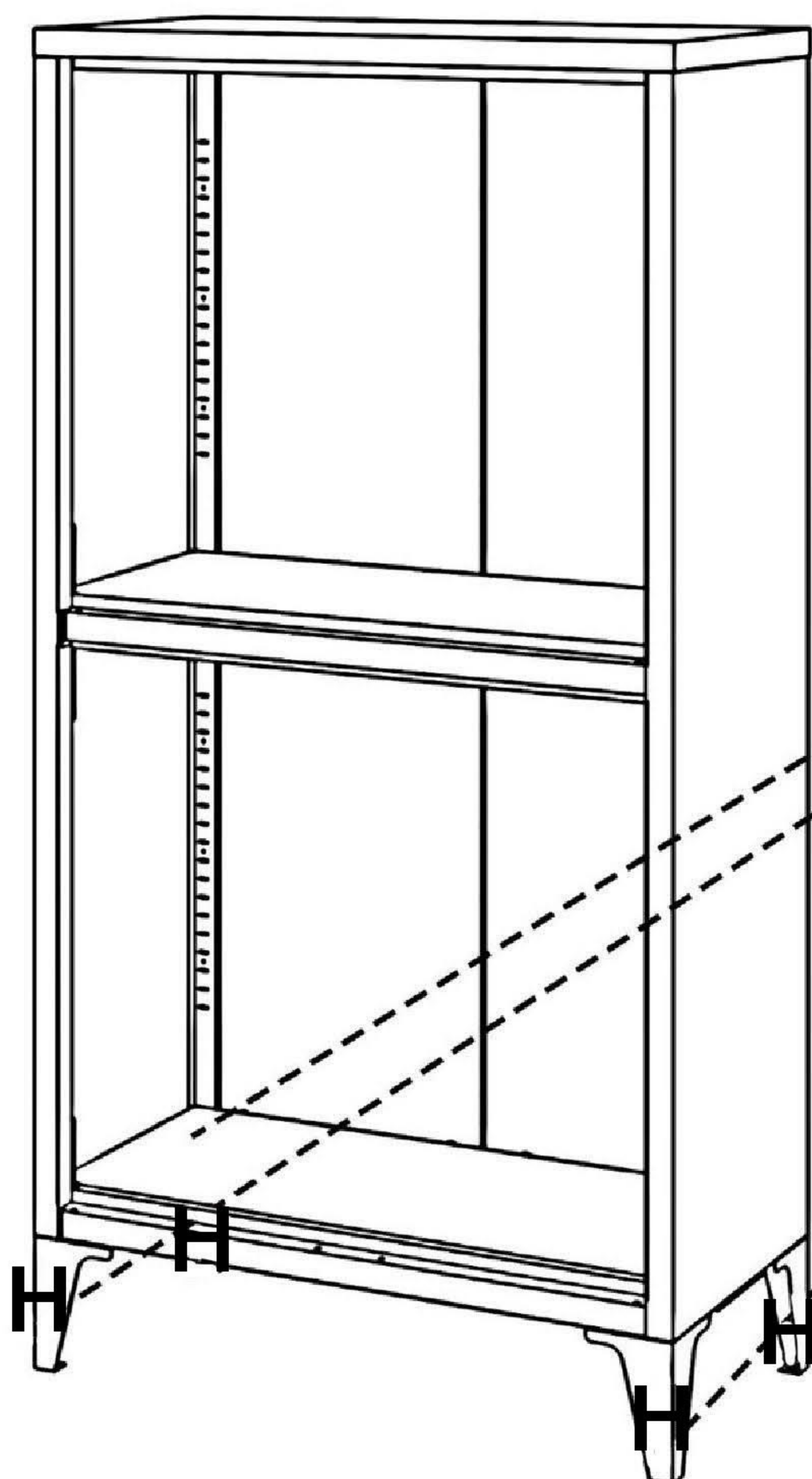
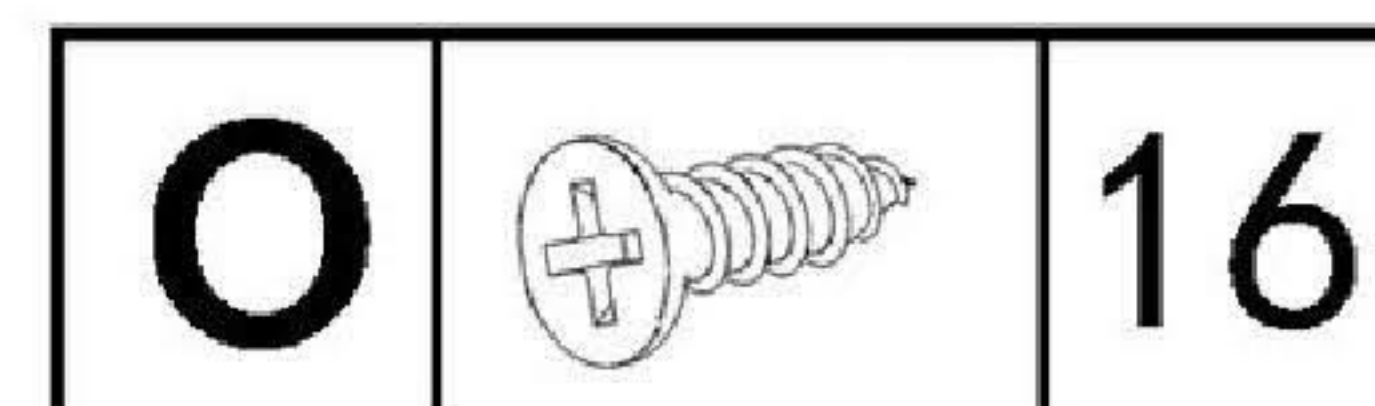
Step 7

Install top panel F and fix it with side panels and back panels by 8 screws O

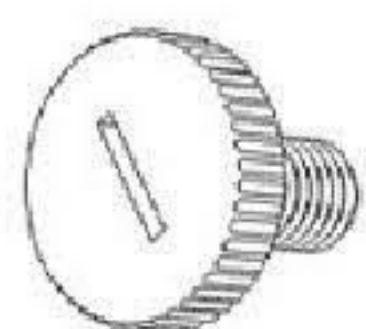


Step 8

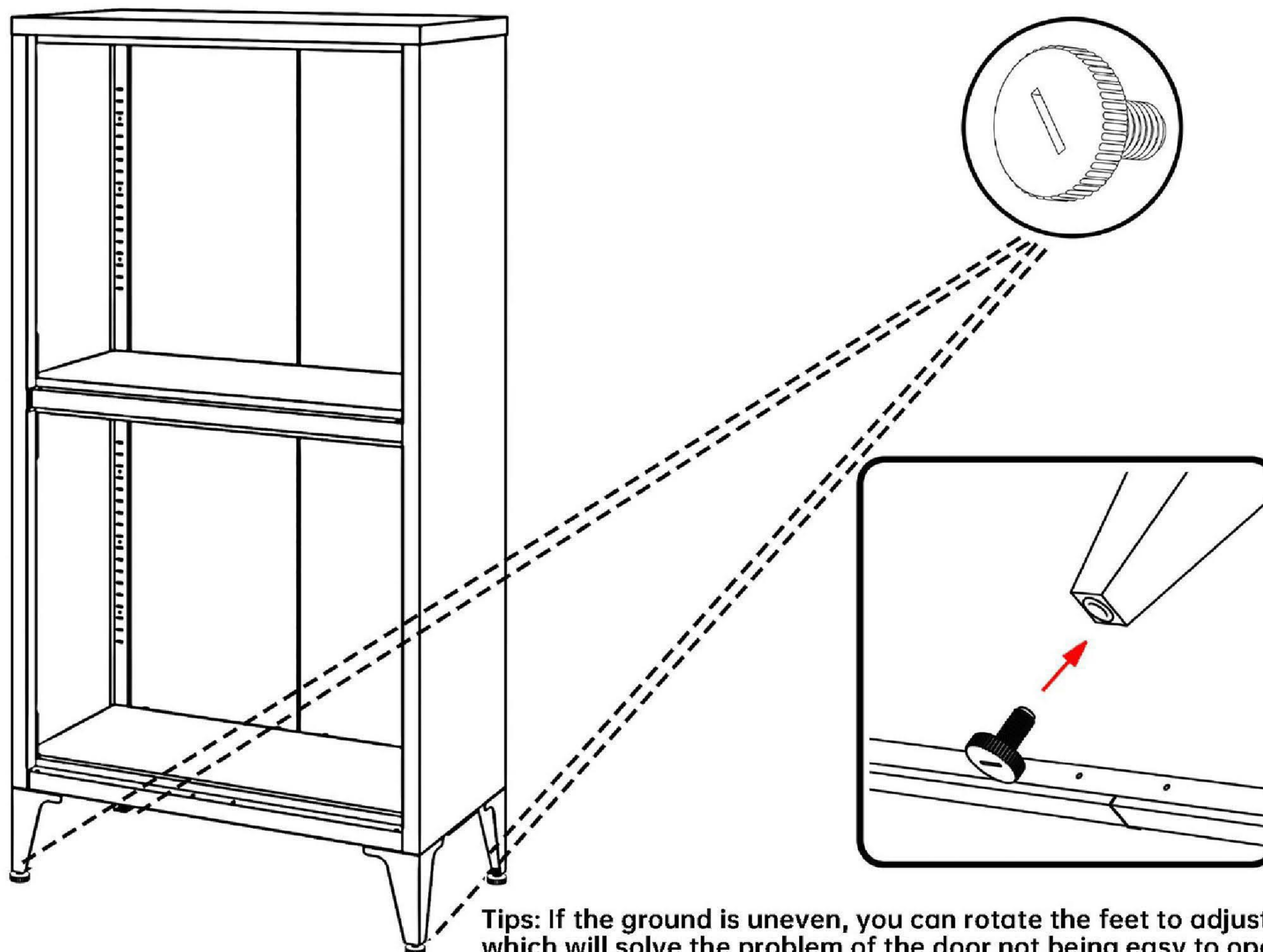
Install 4 supports H at the bottom of the cabinet and fix them with 16 screws O



Step 9


M  4

Rotate and install 4 feet M on the supports H

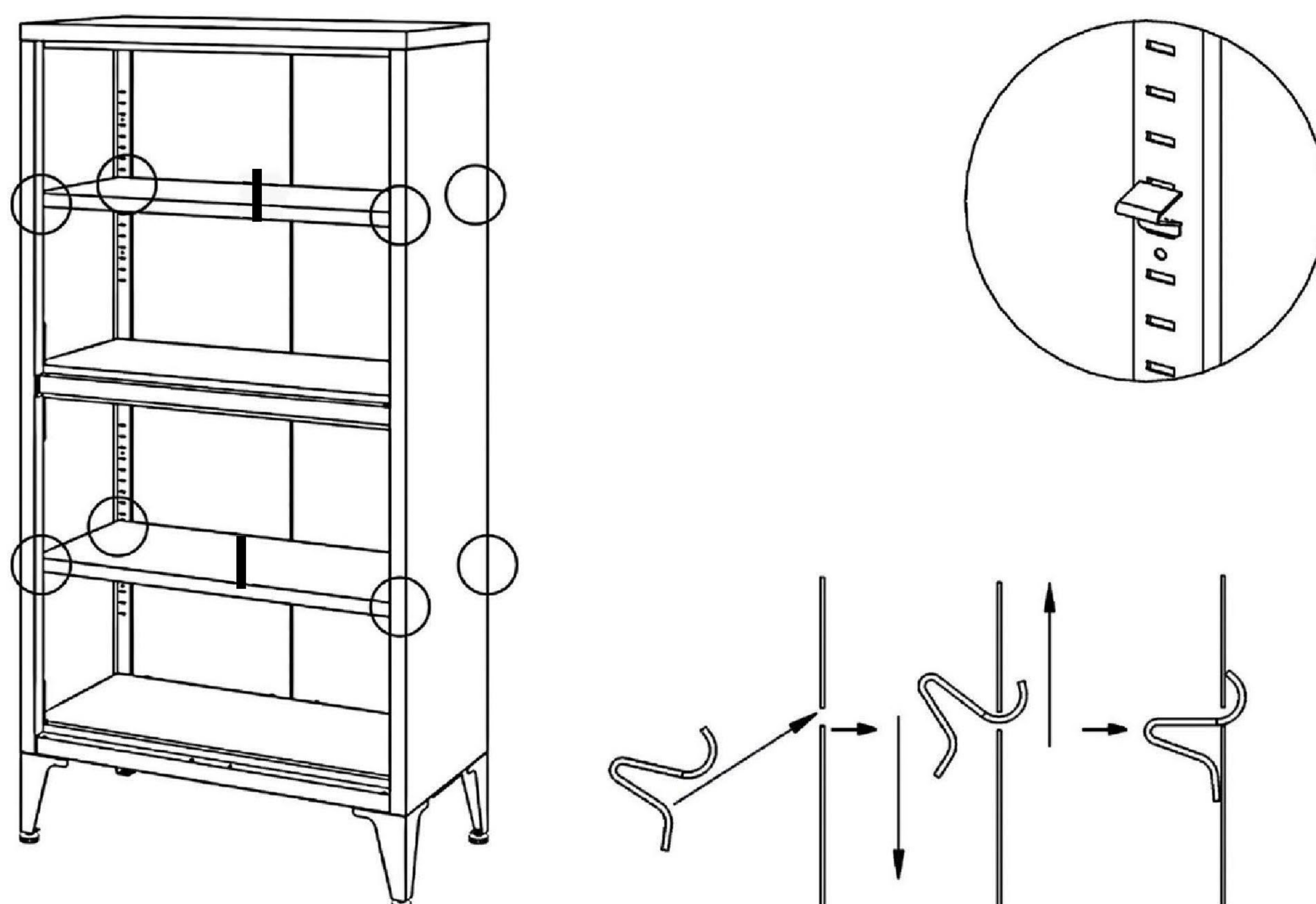


Tips: If the ground is uneven, you can rotate the feet to adjust, which will solve the problem of the door not being easy to open or close.

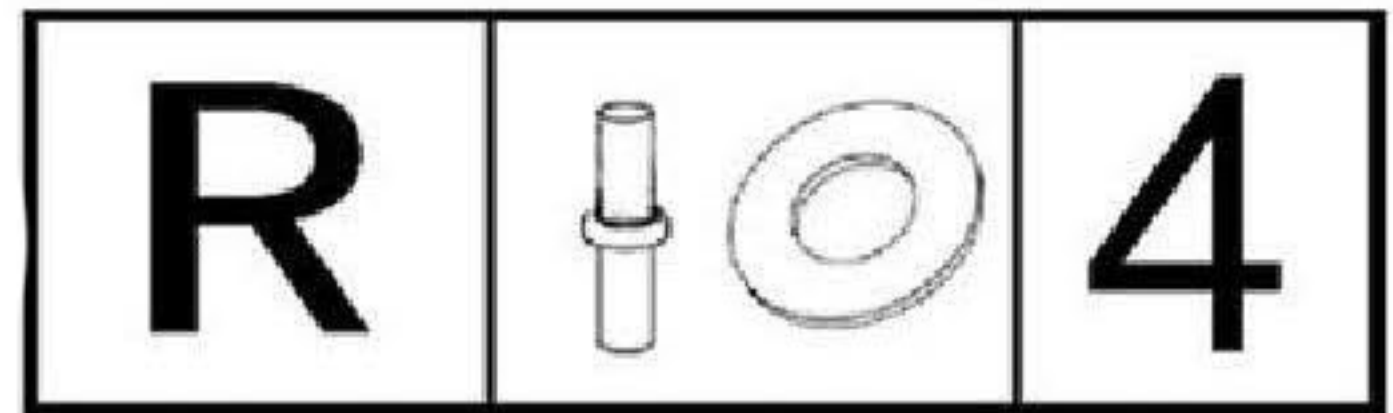
Step 10

U  8

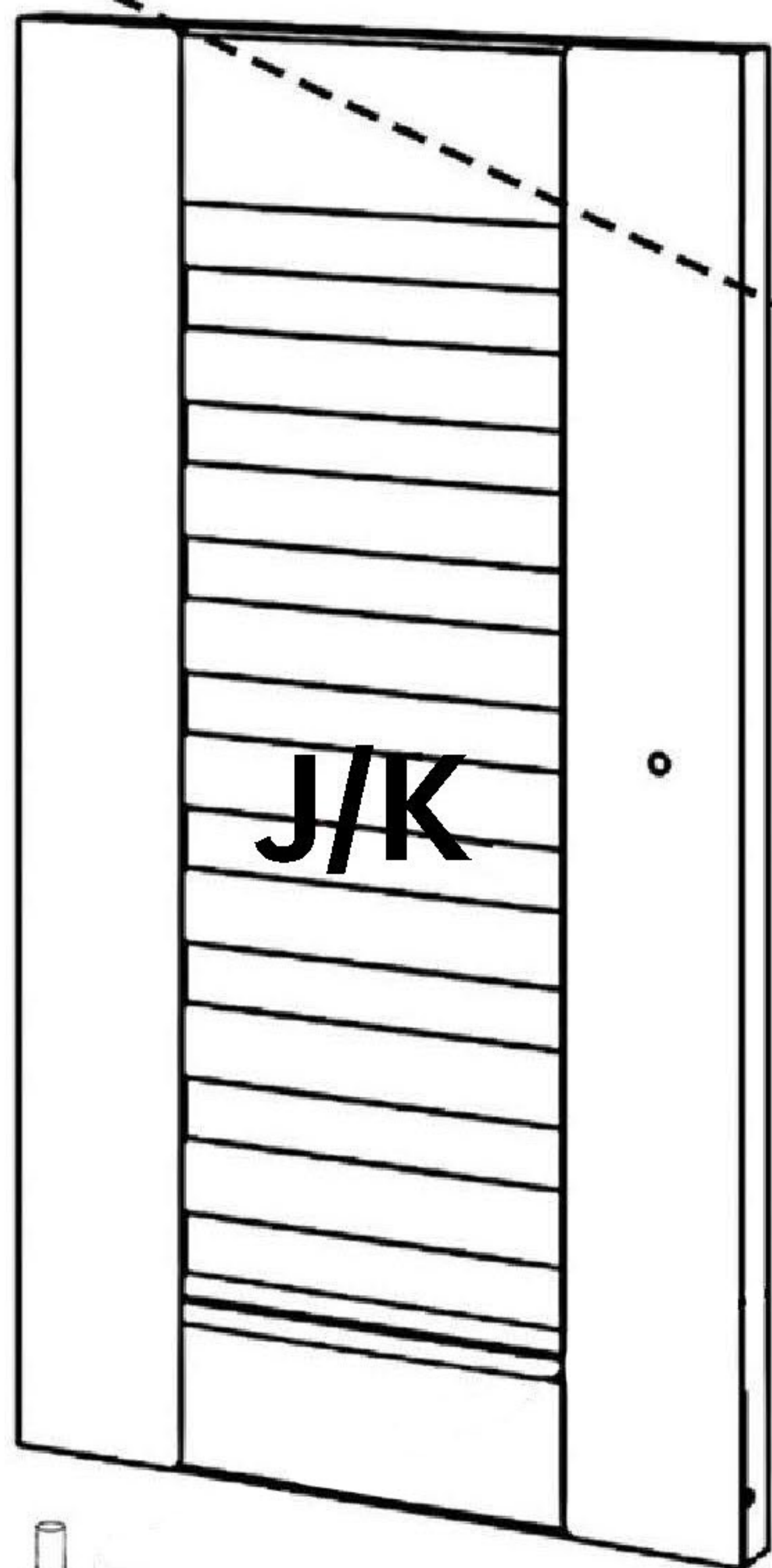
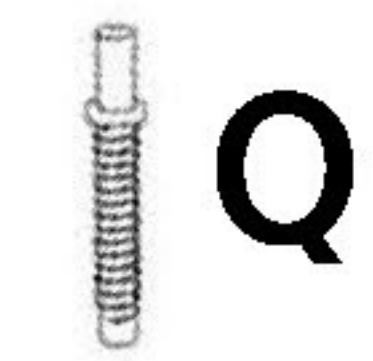
Install 8 shelf clasps U on the side panels and put 2 shelves I on them (Ensure that 4 clasps for 1 shelf are at the same level)



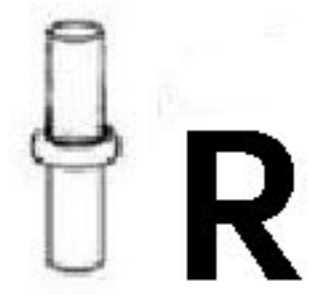
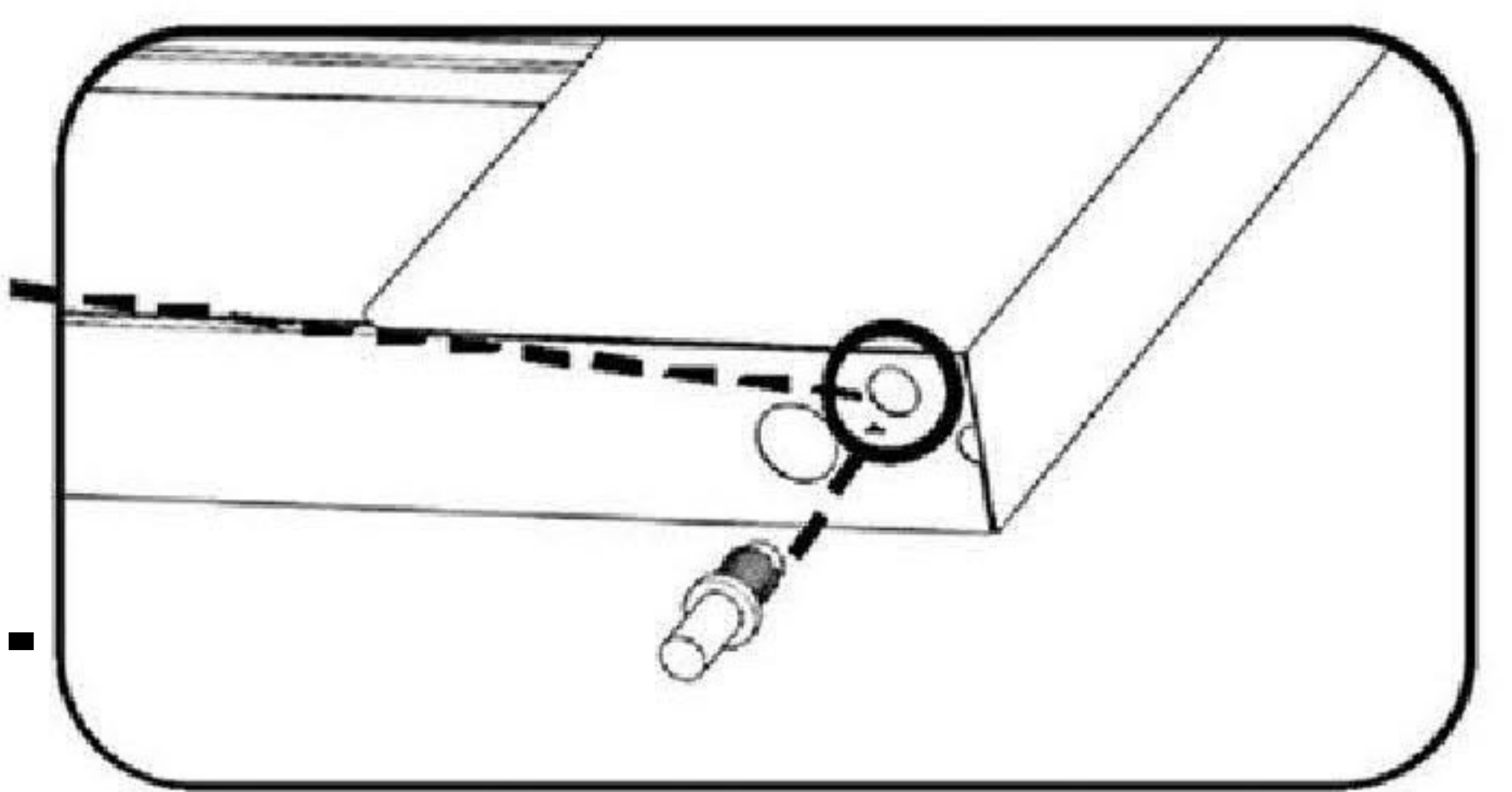
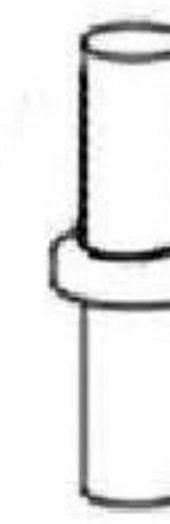
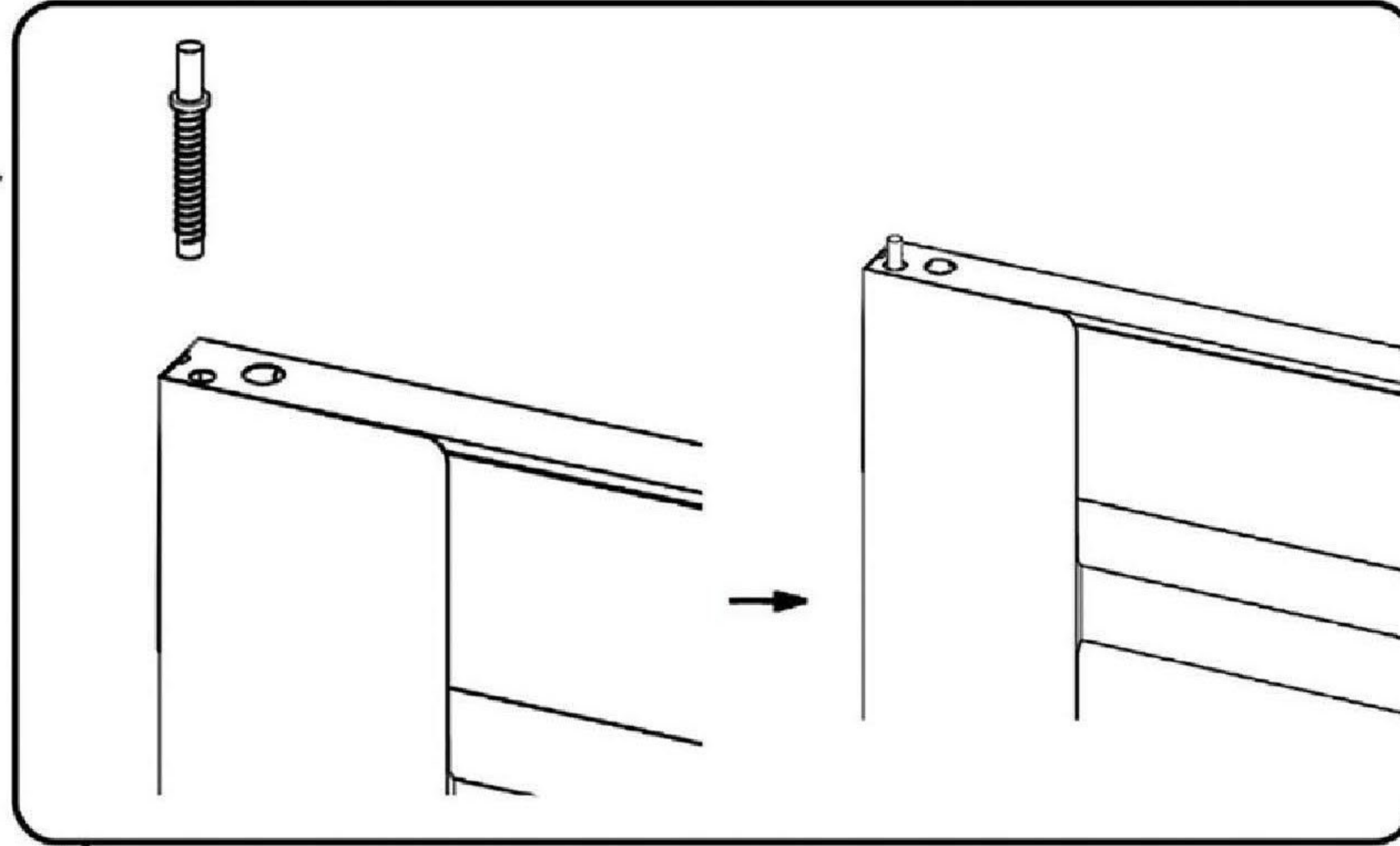
Step 11



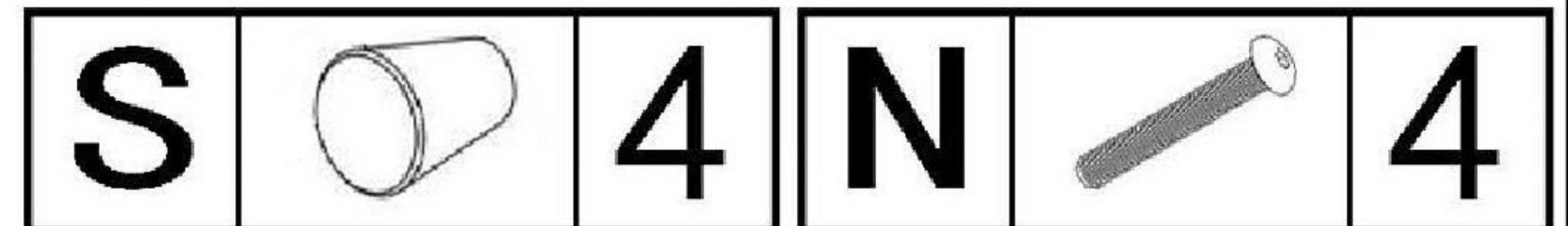
Install door pivots R into the bottom holes of the doors (0/1 shim can be used to adjust the seam), then press the spring shafts Q to pop out



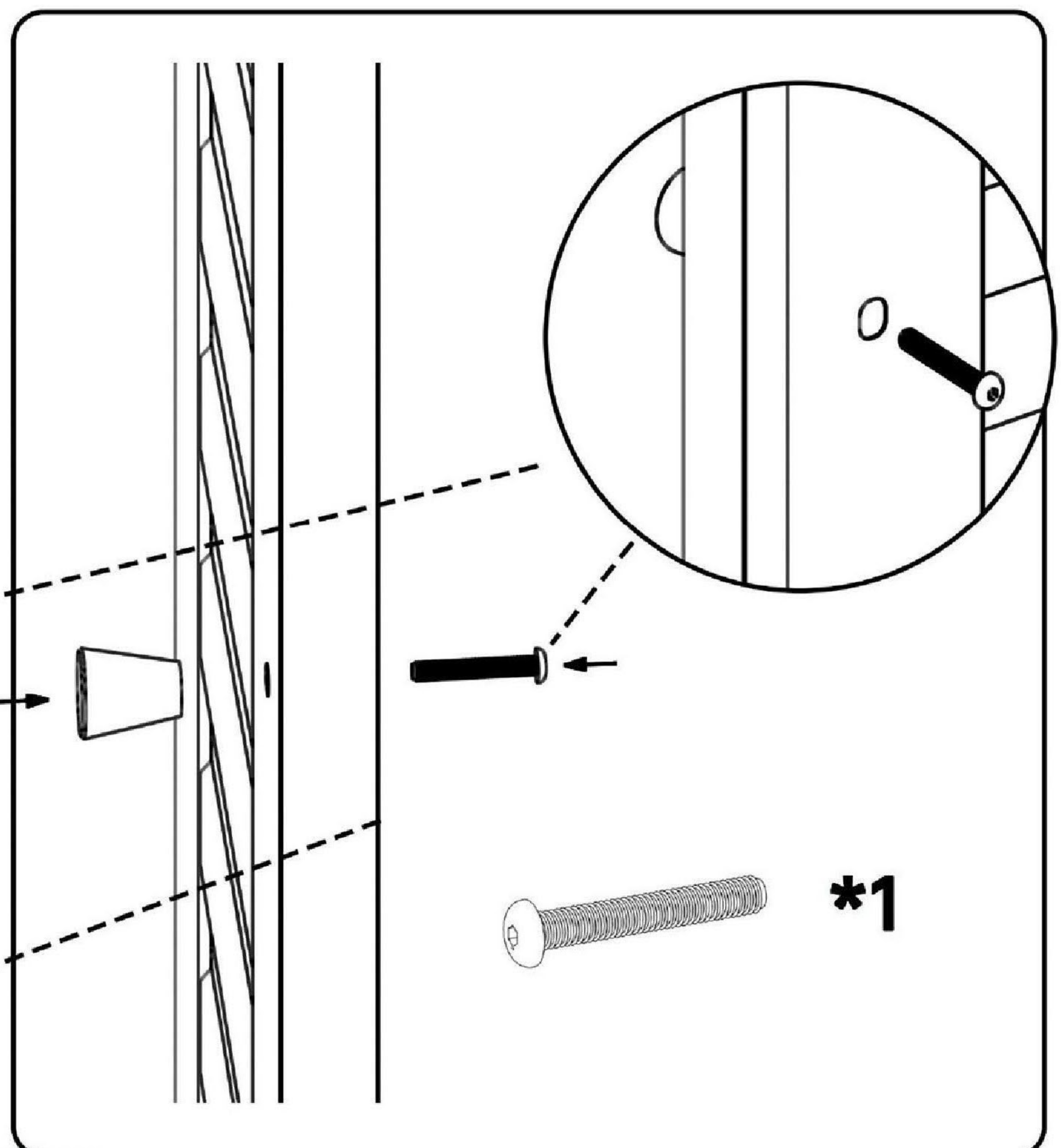
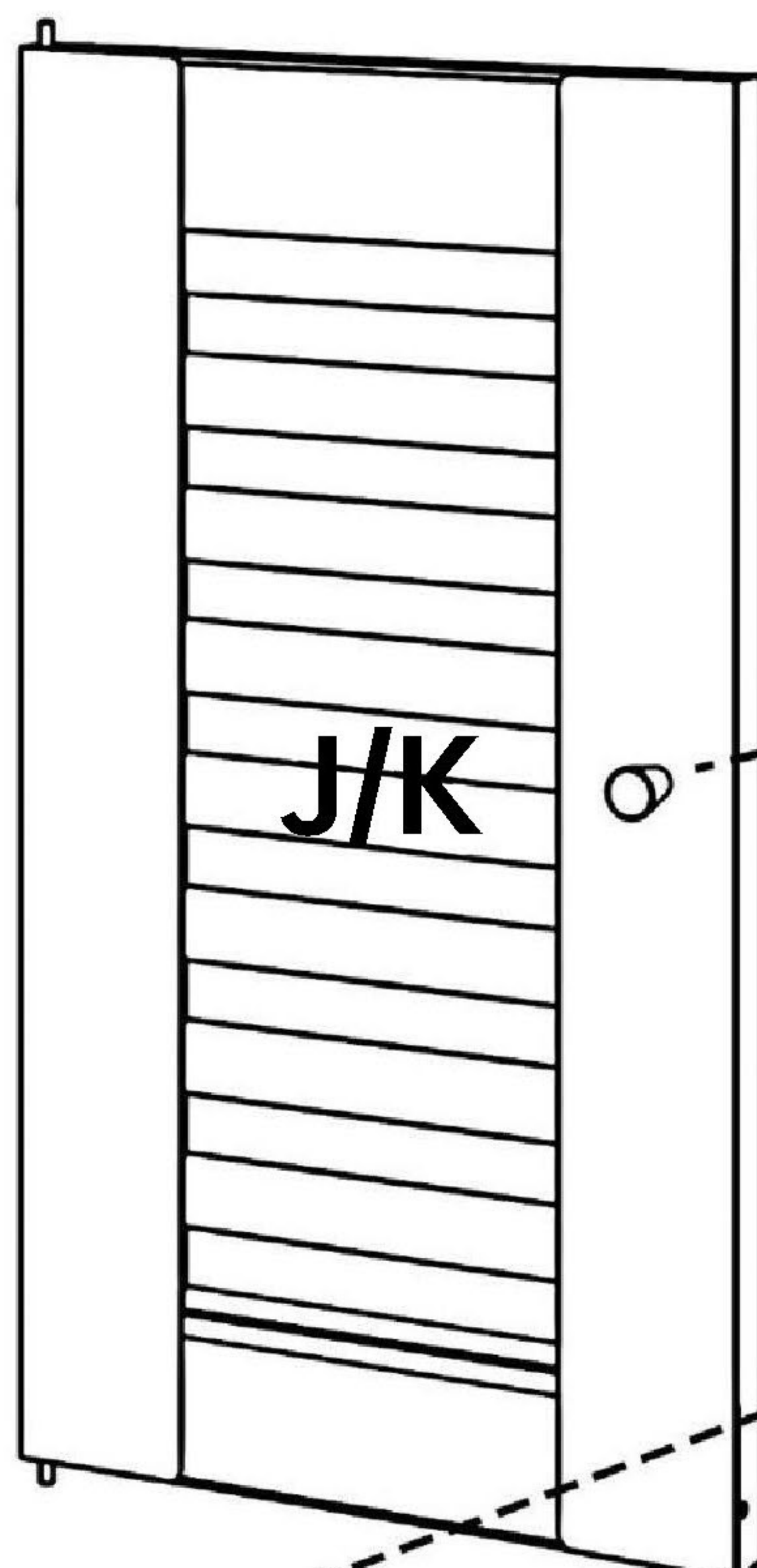
Tips: There are two holes at the top and the bottom of the doors, the spring shafts and door pivots should be inserted into the smaller one.



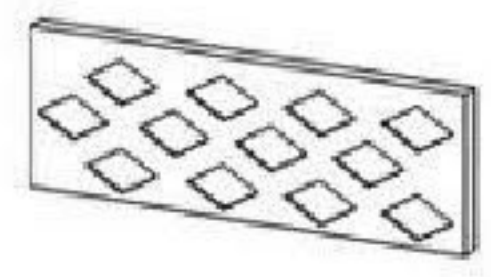
Step 12



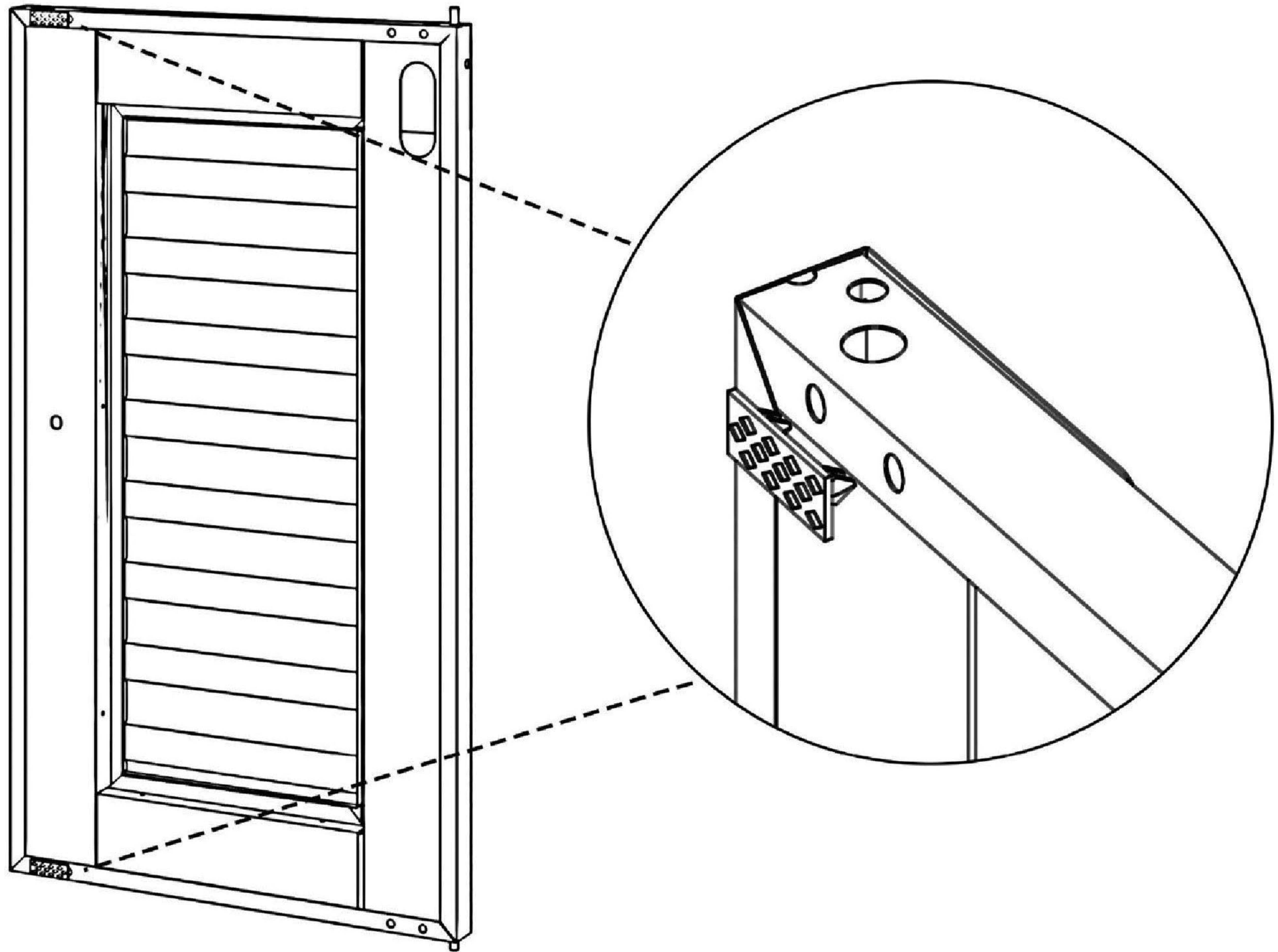
Install 4 round handles S on the doors with 4 screws N




Step 13

T		8
---	---	---

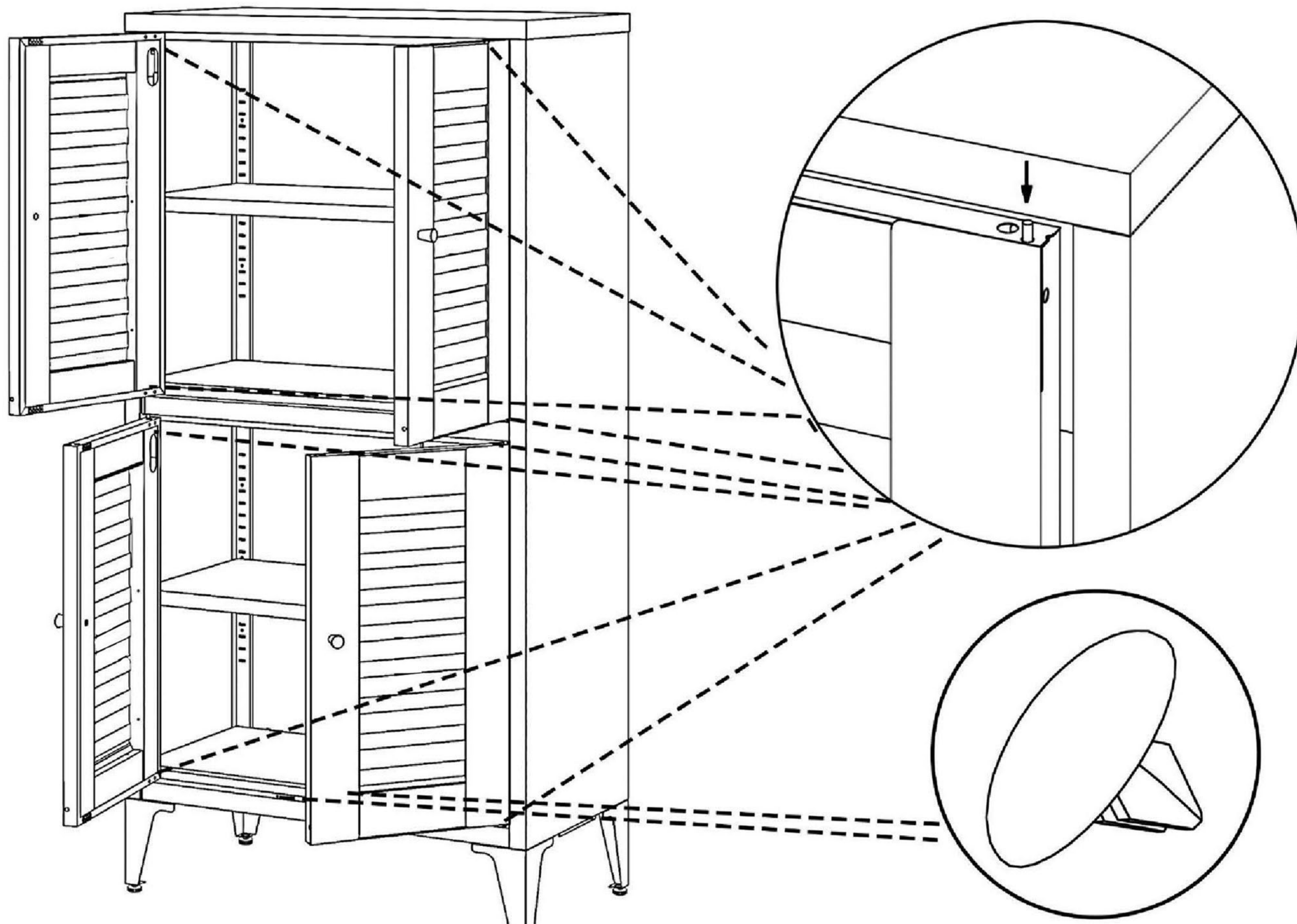
Install 8 magnets T on the doors as shown



Step 14

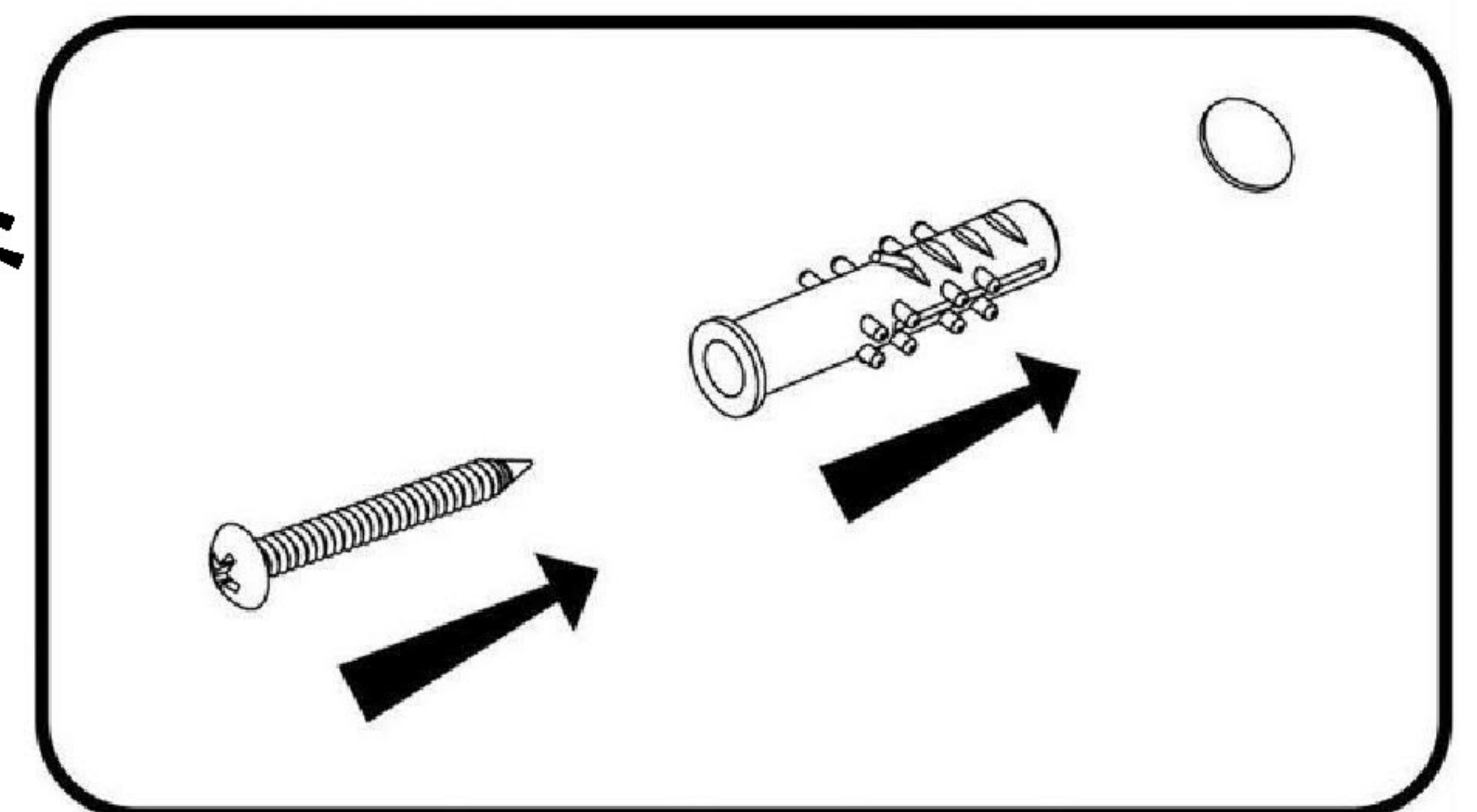
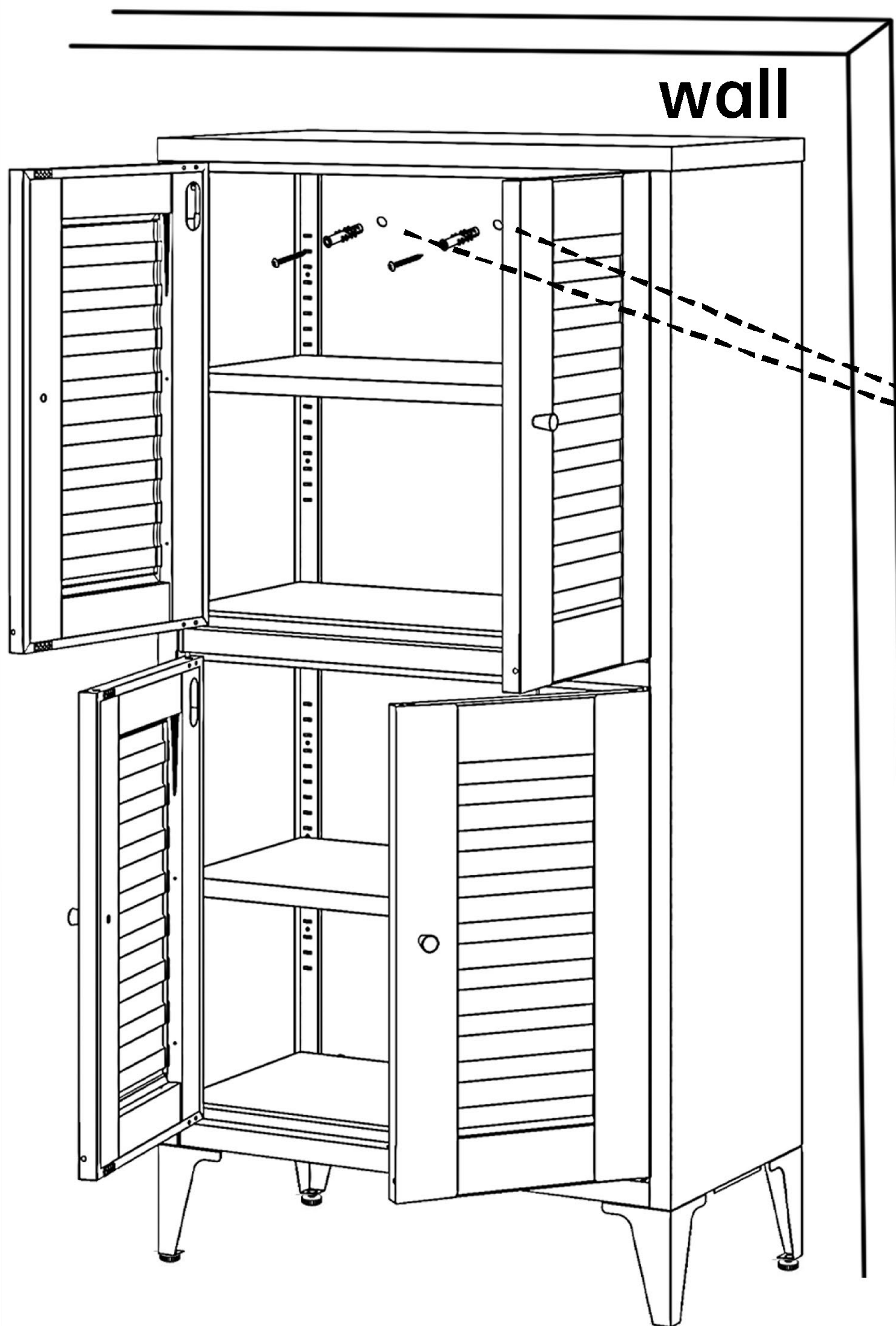
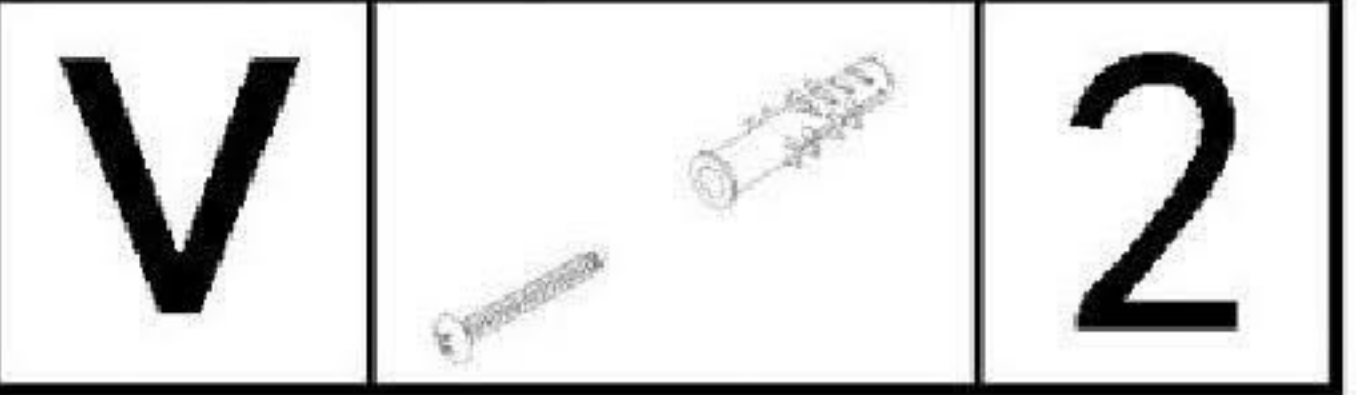
P		4
---	---	---

Insert the door pivots R into the holes of the kick plate and adjust the spring shafts Q on the top to install the doors
Install 4 stop pads P



Step 15

Fix the cabinet on the wall with 2 expansion screws V to prevent tipping



DANGER



Always secure this furniture with an anchor device.

Unsecured furniture can cause serious injury or death to children.

Never allow children to stand, climb or hang on drawers, doors or shelves.

Never open more than one drawer or door at a time.

Place the heavy items on the lower position.

Never place a television on this furniture.

This is a permanent label. Do not remove!