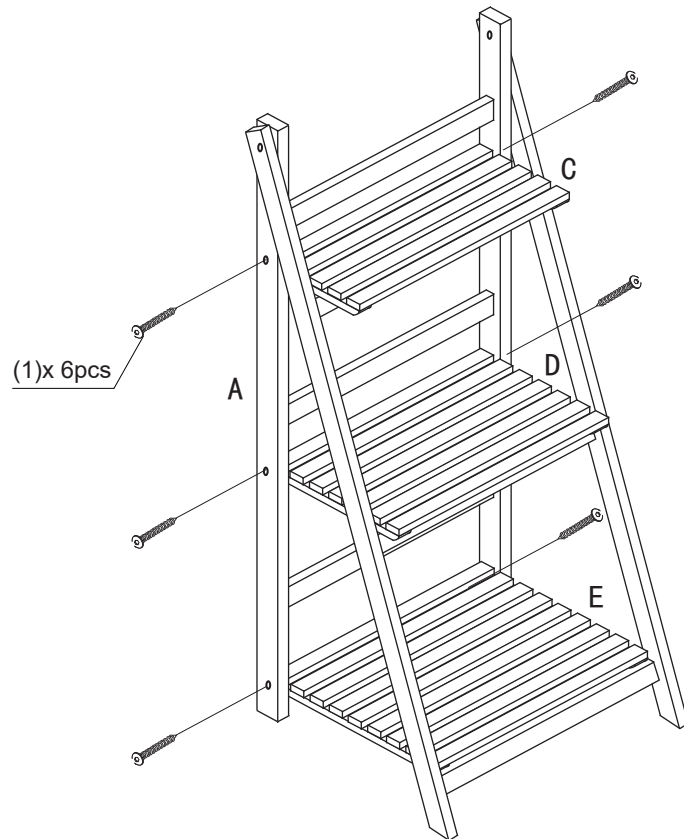
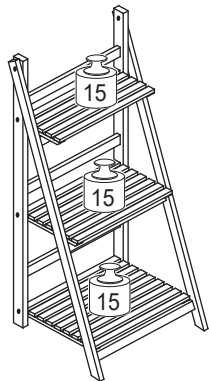


STEP 2

Attach Shelf Panel (C), (D), (E) to Back Support (A) using Hexagon Screw (1), as shown:



Recommended Maximum Weight



*Unit in Pound(lbs)

WARNING:

>This unit has been designed to support the maximum loads shown. Exceeding these load limits could cause sagging, instability, product collapse, and/or serious injury.

>DO NOT allow children to climb on unit.

>Put heavier items on lower shelves.

Assembly Instruction

3-Tier Solid Pine Wood Outdoor Plant Shelves

00:15

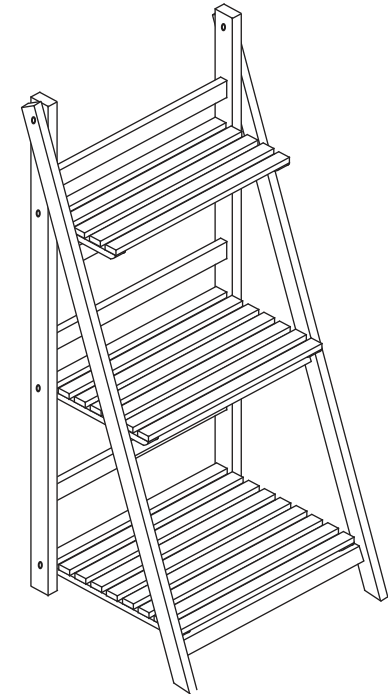
Approx. 15 minutes



Recomm. 1 Person






No Tools Required








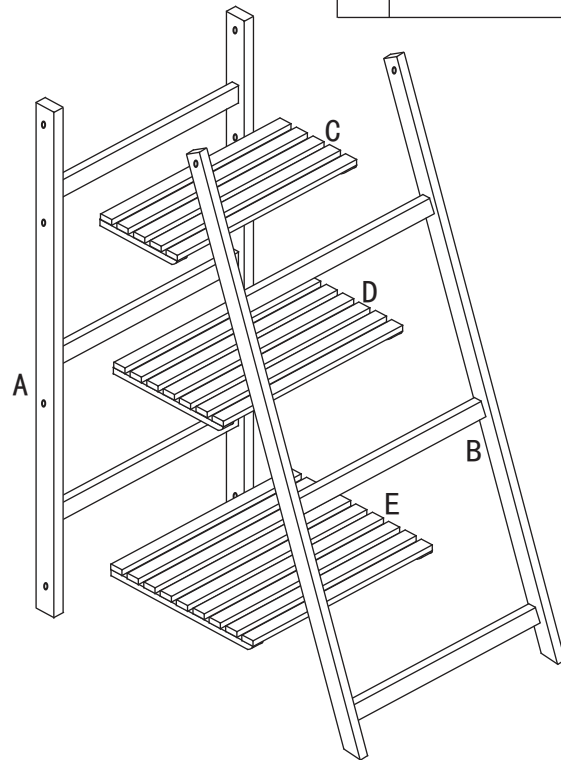
Customer Support

NEED HELP? For replacement requests or product inquiries, please contact our Customer Service Team by emailing us. Thank you for selecting our products!



No	Hardware List	Qty
1	Hexagon Screw 	6pcs
2	Socket Head Screw 	2pcs
3	Allen Wrench 	1pc

No	Parts List	Qty
A	Back Support 	1pc
B	Front Support 	1pc
C	Upper Shelf Panel 	1pc
D	Middle Shelf Panel 	1pc
E	Lower Shelf Panel 	1pc



USEFUL HINTS BEFORE YOU START:

1. Read each step carefully before starting.
2. It is important that each step is performed in correct order to avoid difficulties.
3. Identify, sort and count the parts before assembly.
4. Assemble your furniture on packaging cardboard to prevent scratch or damage.
5. Clean the product with mild cleanser using soft damped cloth. Do not use harsh or abrasive cleanser.
6. Using incompatible hardware might cause damage to product.

STEP 1

Attach Back Support (A) with Front Support (B) using Socket Head Screw (2).

